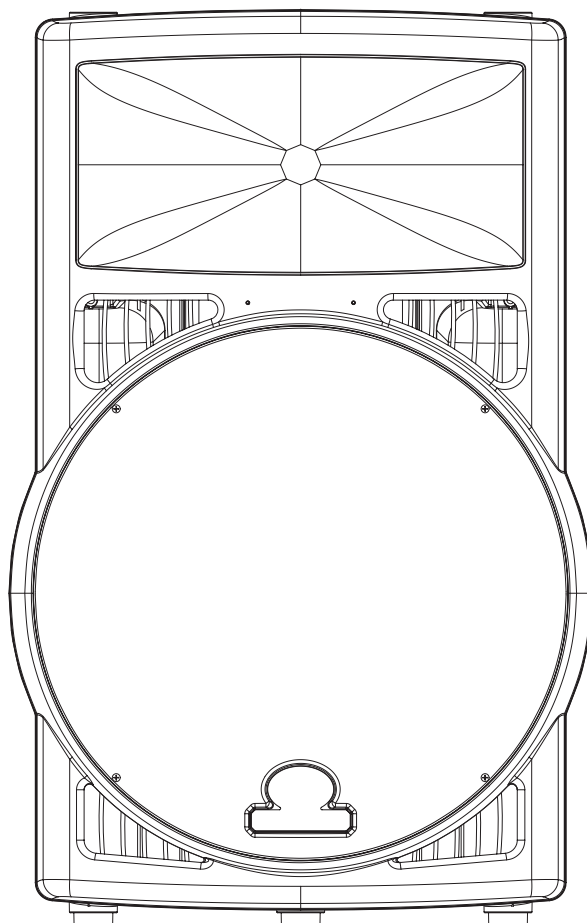


PERFORMER A540

SERVICE MANUAL



PERFORMER A540

PHONIC

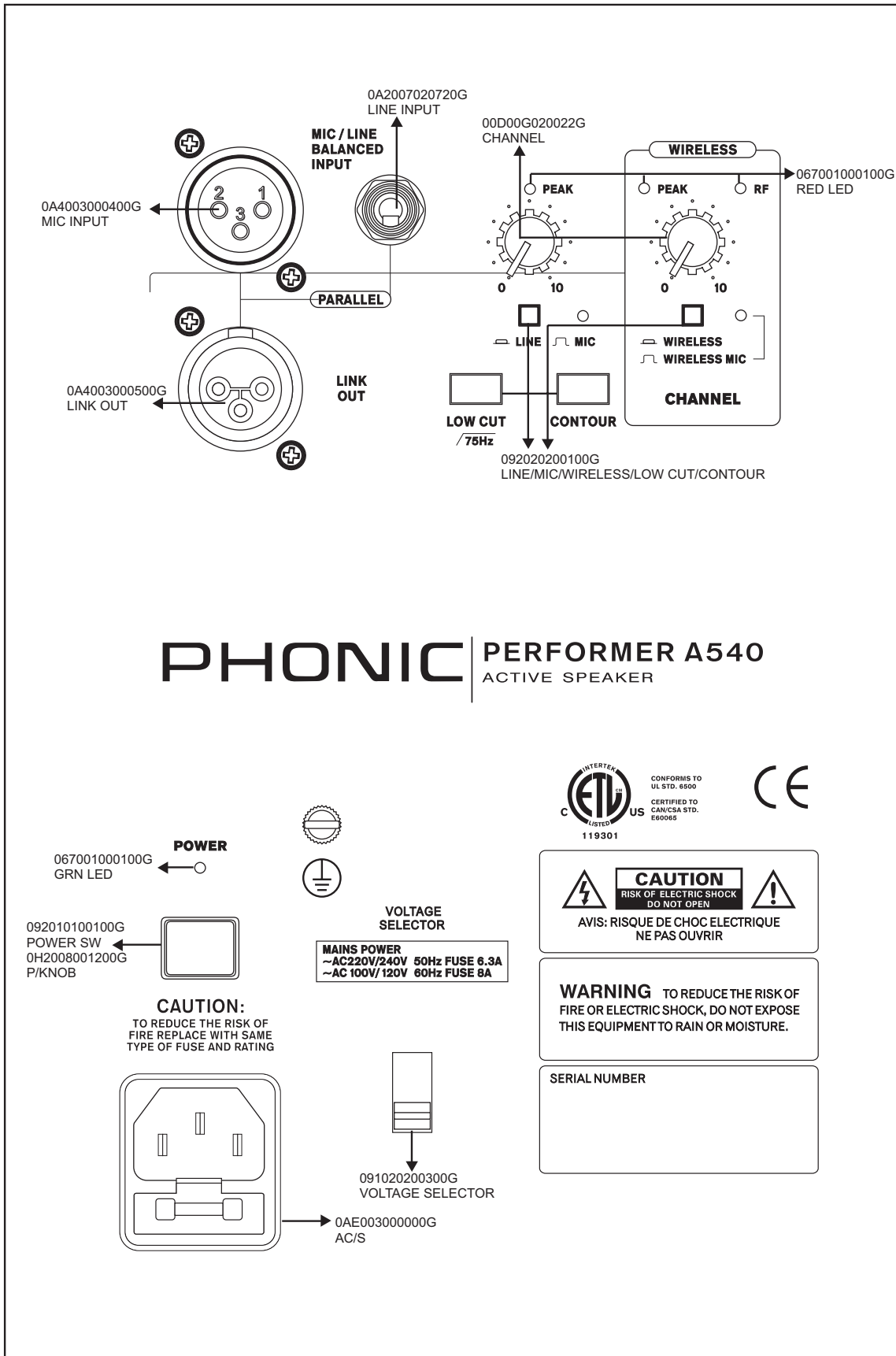
PERFORMER A540

SERVICE MANUAL

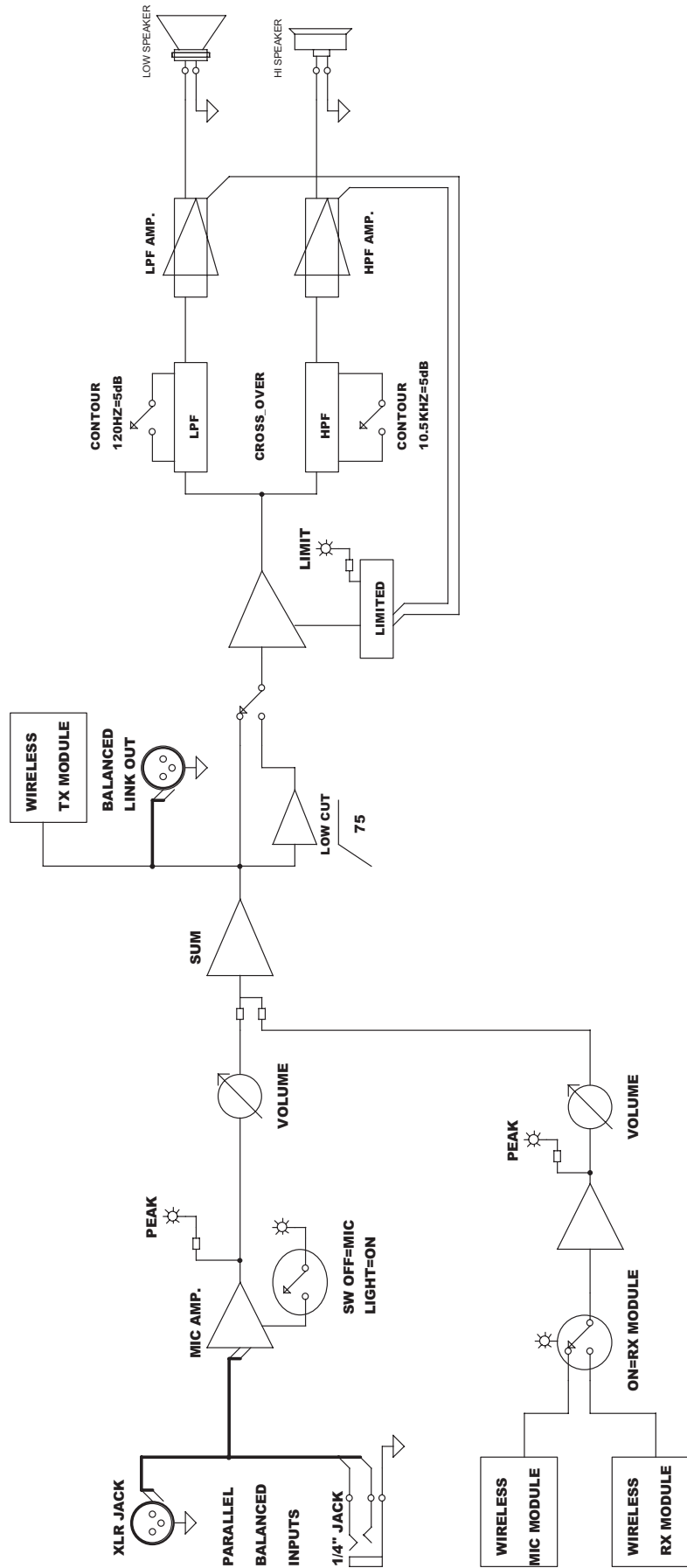
CONTENTS

	PAGE
PANEL LAYOUT	3
BLOCK	4
INPUT	5
CONTOUR	6
AMP	7
HFAMP	8
SPK	9
SWTICH	10
WIRELESS	11
BOM	
LOW AMP PCB	12
HI AMP PCB	14
AC PCB	16
POWER REQUIREMENT CLASSIFICATION	17

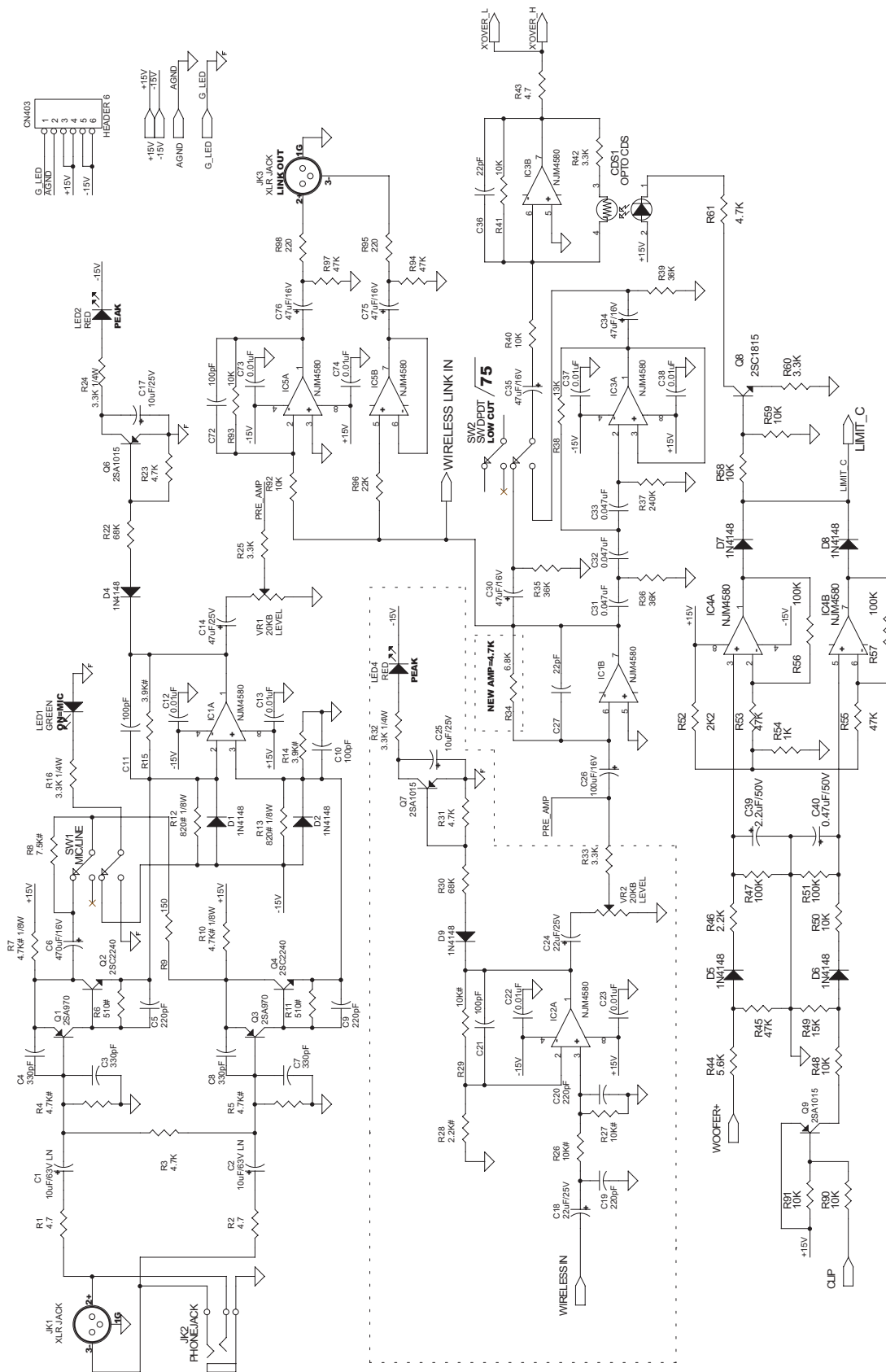
PANEL LAYOUT



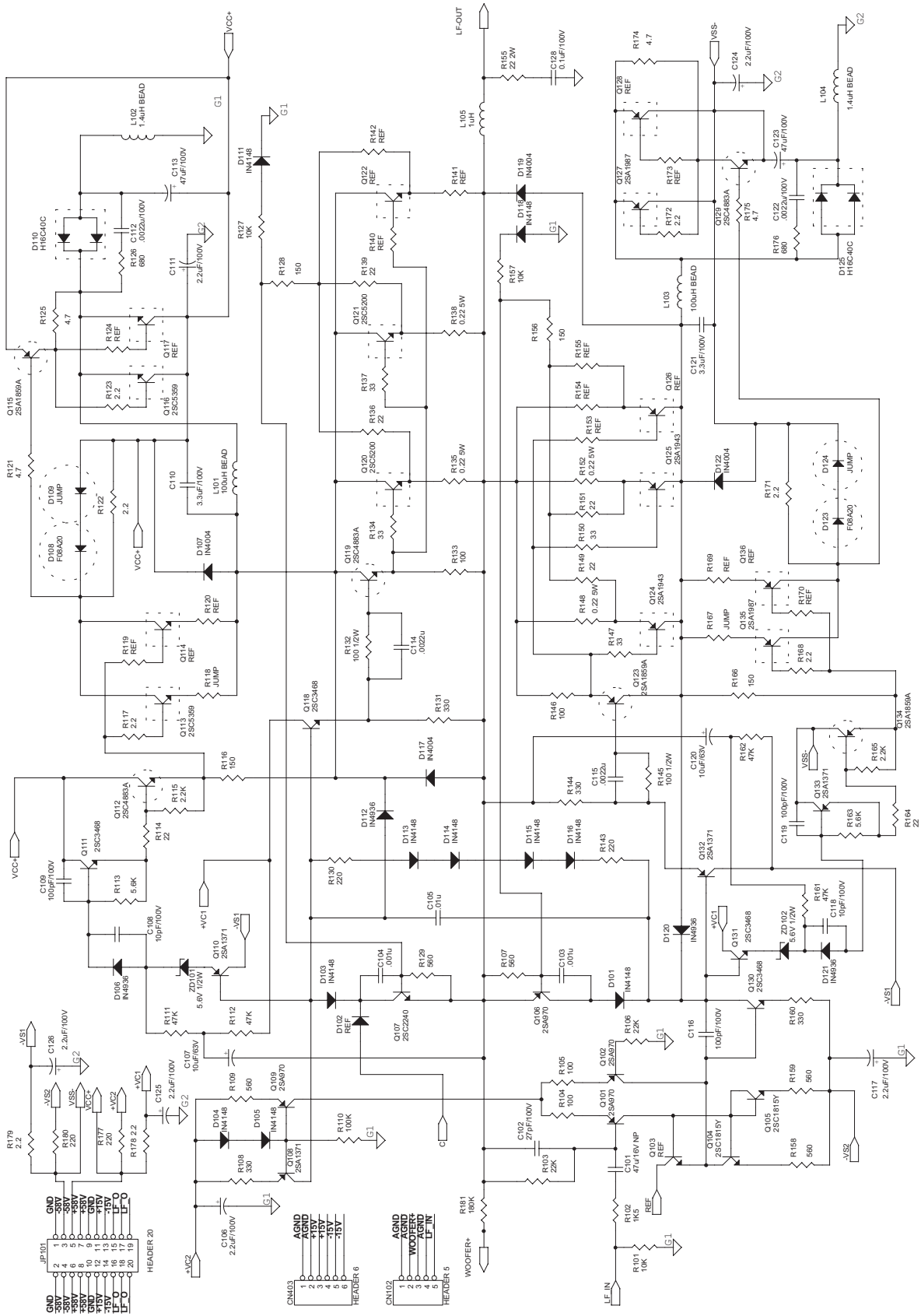
BLOCK



INPUT

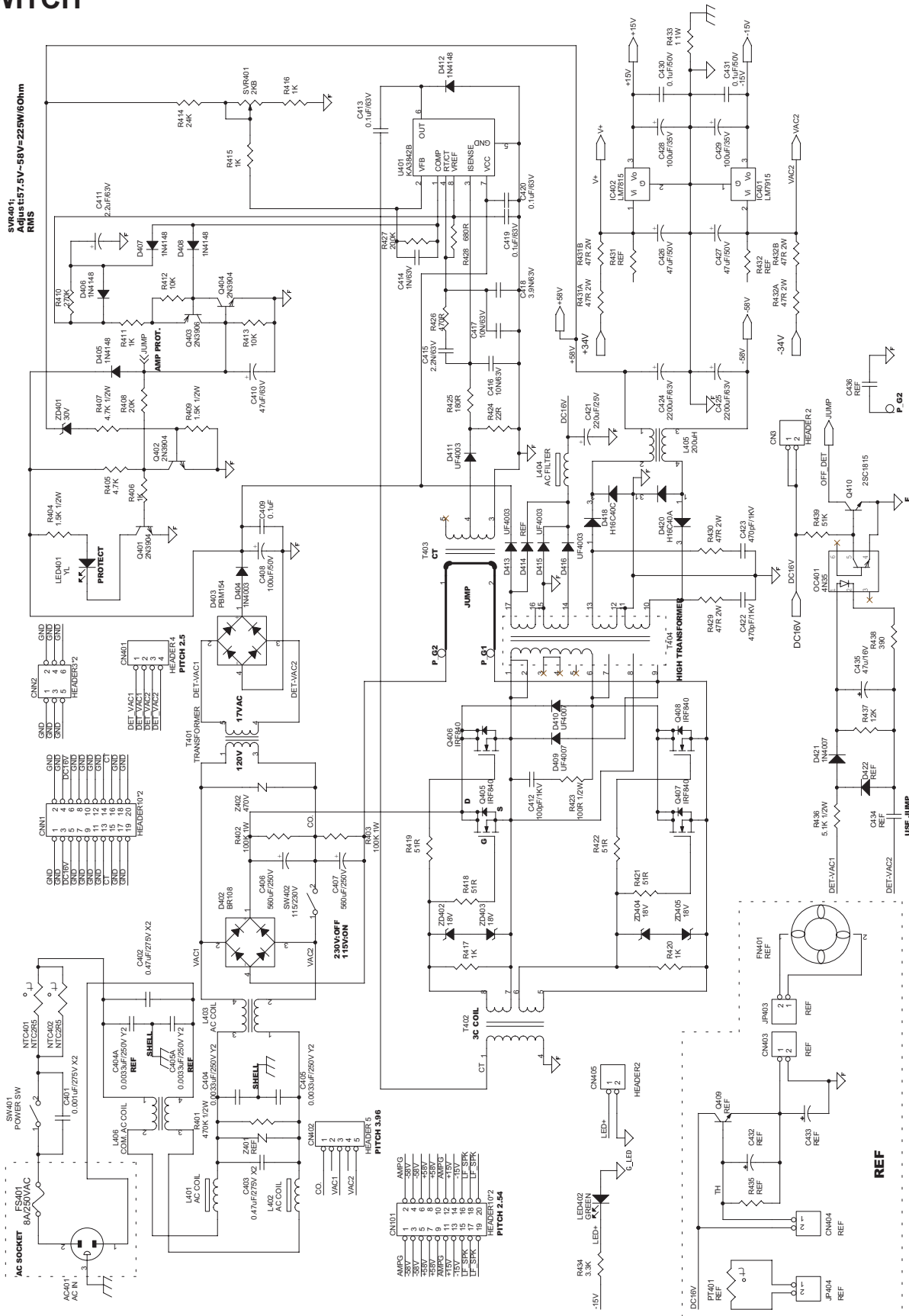


AMP



SWITCH

Note:
svr401:
Adjust 57.5V-58V=225W/60Hz
RHS



LOW AMP PCB-PART LIST

Phonic Part No.	Specifications	Ref.
003029722090G	CEMENT RES. 0.22R J 5W	R135.138.148.152
010338204760G	E/C 47MF M 100V 10*17 T	C113.123
030000001700G	BEAD COIL 1.4uH	L102.104
030000001800G	BEAD COIL 100uH	L101.103
040112200800G	INDUCTANCE 2UH K M	L105
060000001300G	DIODE H16C40C MOSPEC	D110.125
062000000300G	DIODE 1N4935 T	D106.112.120.121
070000000710G	TRN KTC3198-GR KEC	Q104.105
070000001600G	TRN 2SC3468E-AE DIP REEL	Q111.118.130.131
070000001900G	TRN 2SC4883 TO-220-D	Q112.119.129
070000002000G	TRN 2SC5200-0 DIP(TO)	Q120.121
070000002100G	TRN 2SC5359-O DIP(TO)	Q113.116
070001001010G	TRN KTC3200 KEC 2SC2240	Q107
071000001000G	TRP 2SA1371E-AE DIP(SANY	Q108.110.132.133
071000001200G	TRAN. 2SA1859A	Q115.123.134
071000001300G	TRP 2SA1943-O DIP(TO)	Q124.125
071000001400G	TRP 2SA1987-O DIP(TO)	Q127.135
071000001500G	TRP 2SA970-BL TO-92-D R	Q101.102.106.109
0A7000430600G	PIN/S 2*2 90 degree 2.54MM	GJP3.4
0A7002030601G	PIN/S 10*2 90degree 36MM	JP101
0AA000530100G	5P WAFER/S TJC3-5A	CN102
0AA000630000G	6P WAFER/S A2501WV2-6P 1	CN403
0F5046004000G	M.WIRE UL1007 #20 40MM	R131/133-L105
0F5152005000G	M.WIRE. UL1015#20 50MM R	LF&L105
10105000L040G	PERFORMER A540 LOW AMP P	
006102510000G	MF RES. 100 F 1/8W T	R104.105.133.146
006102510020G	MF RES. 10K F 1/8W T	R101.127.157
006102510030G	MF RES. 100K F 1/8W T	R110
006102515000G	MF RES. 150 F 1/8W T	R116.128.156.166
006102515010G	MF RES. 1.5K F 1/8W T	R102
006102518030G	MF RES. 180K F 1/8W T	R181
006102522000G	MF RES. 220 F 1/8W T	R130.143.177.180
006102522010G	MF RES. 2K2 F 1/8W T	R115.165
006102522020G	MF RES. 22K F 1/8W T	R103.106
006102522070G	MF RES. 22 F 1/8W T	R114.136.139.149.151.164
006102522080G	MF RES. 2.2 F 1/8W T	R117.122.123.168.171. 172.178.179
006102533000G	MF RES. 330 F 1/8W T	R108.131.144.160
006102533070G	MF RES. 33 F 1/8W T	R134.137.147.150
006102547020G	MF RES. 47K F 1/8W T	R111.112.161.162
006102547080G	MF RES. 4.7 F 1/8W T	R121.125.174.175

LOW AMP PCB-PART LIST

Phonic Part No.	Specifications	Ref.
006102556000G	MF RES. 560 F 1/8W T	R107.109.129.158.159
006102556010G	MF RES. 5.6K F 1/8W T	R113.163
006102568000G	MF RES. 680 F 1/8W T	R126.176
006104510000G	MF RES. 100 F 1/2W T	R132.145
010336401060G	E/C 10MF Z 63V 5*11 T	C107.120
010338202250G	E/C 2.2MF M 100V 6*11 T	C106.111.117.124.125.126
012332104750G	NP E/C 4.7MF K 16V 5*11	C101
019365101020G	C/C2 0.001MF K 50V 5 T	C103.104
019365101030G	C/C2 0.01MF K 50V T	C105
019365102220G	C/C2 0.0022uF K 50V 5T	C114.115
019368001010G	C/C2 100PF J 100V 5 T	C109.116.119
019368102700G	C/C2 27PF K 100V	C102
01936D102220G	C/C2 0.0022uF K 250V 5T	C112.122
01936J101000G	C/C2 10PF K 500V	C108.118
01F228103350G	M.P/C 3.3UF 100V K	C110.121
060000000700G	DIODE 1N4004 SILTEK T	D107.117.119.122
060000001900G	DIODE F08A20	D108.123
0610A2562000G	Z/DIODE 5V6 K 0.5W FAIR	ZD101.102
062000000100G	DIODE 1N4148 T26MM	D101.103.104.105.111.113. 114.115.116.118
0D0500070520G	PCB PERFORMER LOWAMP PCB	

HI AMP PCB-PART LIST

Phonic Part No.	Specifications	Ref.
003016722070G	CEMENT RES. 22 J 2W	R155.220
003029722090G	CEMENT RES. 0.22R J 5W SOF-05	R211
005006715010G	MOF RES. 1K5 J 2W M	R326
006104515010G	MF RES. 1K5 F 1/2W T26mm	R404.409
006104547010G	MF RES. 4K7 F 0.5W T	R407
006104551010G	MF RES. 5K1 F 0.5W T	R436
00C251020010G	T/VR. 2KB 0.5W D10 S 3M	SVR401
010332402270G	E/C 220uF Z 16V 8*11 T -40°C _+85	C303
010335401070G	E/C 100MF Z 50V 8*12 T	C207.208.408
010336404760G	E/C 47MF Z 63V 8*11 T	C410
020033003800G	EI COIL RG160/260	T403
040112200800G	INDUCTANCE 2UH K M	L201
050021024001G	RELAY OSA-SH-224DM3M 旺力	RY301
066000000100G	B/DIODE PB154	D403
067004000000G	LED BL-B3141 YLW	LED401
070100003900G	TRN MJE340 SOT32-DIP(ON/MO)	Q304
080000000610G	IC 4N35 LI	OC401
080000009400G	IC TDA7293 DIP(ST)	IC201
080000010500G	IC UC3842BN ON	U401
09A008500000G	TMP/SW P82-85-05-100 85degree	CN301
0A7000430600G	PIN/S 2*2 90degree 2.54MM	GJP1.2
0A7000630600G	PIN/S 3*2 90degree 2.54MM	CNN2.4
0A7002030600G	PIN/S 10*2 90degree 2.54MM	CNN1.3
0AA000430000G	4P WAFER/S 2532-04 2.5MM	CN201.401
0AA000460000G	4P WAFER/S A3963WV2-4P	CN302
0F7000500600G	TINNER WIRE 5MM D0.6	JUMP
10105000L030G	PERFORMER A540 CTL-HIAMP PCB A/I	
006103510000G	MF RES. 100 F 0.25W T	R311
006103510010G	MF RES. 1K F 1/4W T	R406.411.415.416
006103510020G	MF RES. 10K F 0.25W T	R203.205.309.412.413
006103510030G	MF RES. 100K F 0.25W T	R221.222.312
006103512020G	MF RES. 12K F 0.25W M	R318.437
006103518000G	MF RES. 180 F 0.25W T	R425
006103520020G	MF RES. 20K F 0.25W T	R207.408
006103520030G	MF RES. 200K F 0.25W T	R427
006103522010G	MF RES. 2K2 F 0.25W T	R204.209.308
006103522020G	MF RES. 22K F 0.25W T	R208.210.310
006103522030G	MF RES. 220K F 0.25W M	R306.307.316
006103522070G	MF RES. 22 F 0.25W T	R424
006103524020G	MF RES. 24K F 0.25W T	R414
006103527030G	MF RES. 270K F 0.25W M	R410

HI AMP PCB-PART LIST

Phonic Part No.	Specifications	Ref.
006103533020G	MF RES. 33K F 0.25W T	R206
006103539000G	MF RES. 390 F 0.25W T	R438
006103539010G	MF RES. 3K9 F 0.25W M	R303.304.313.314
006103547000G	MF RES. 470 F 0.25W T	R202.426
006103547010G	MF RES. 4K7 F 0.25W M	R201.405
006103551020G	MF RES. 51K F 0.25W M	R439
006103556020G	MF RES. 56K +/-1% 0.25W T	R317
006103568000G	MF RES. 680 F 0.25W T	R428
006103568010G	MF RES. 6K8 F 0.25W T	R305.315
010332201070G	E/C 100MF M 16V 6.3*11 T	C307
010332204760G	E/C 47MF M 16V 5*11 T	C435
010333401060G	E/C 10MF Z 25V 5*11 T	C202.203
010335401050G	E/C 1uF Z 50V 5*11 T -40°C ~+85	C204.205.308
010335402260G	E/C 22MF Z 50V 6*11 T	C201.209
010336402250G	E/C 2.2MF Z 63V 5*11 T	C411
017365401040G	ML/C 0.1MF Z 50V 5 T	C304.305
019365201040G	C/C2 0.1MF M 50V 5T P	C409
019368004710G	C/C2 470PF J 100V 5 T	C306
019368201040G	C/C2 0.1MF M 100V 5 T	C128.210
01F336001020G	MP/C 0.001uF J 63V P (square)	C414
01F336001030G	M.P/C 0.01uF K 63V T(squarePP) (-40~8)	C416.417
01F336001040G	M.P/C 0.1uF J 63V T squarePP (-40~85)	C413.419
01F336002220G	MP/C 0.0022 J 63V T	C415
01F336003920G	MP/C 0.0039uF J 63V (square) T (-45~8)	C418
060000000200G	DIODE UF4003	D411
060000000400G	DIODE 1N4007 SILITEK	D404.421
060000000700G	DIODE 1N4004 SILTEK T	D201.303.304
0610A1512000G	Z/DIODE 5.1V J 0.5W	ZD201
0610A1682000G	Z/DIODE 6.8V J 0.5W UNIZO	ZD301
0610A2303000G	Z/DIODE 30V K 0.5W	ZD401
062000000100G	DIODE 1N4148 T26MM MINI	D202.301.302.405.406. 407.408.412
070000000200G	TR. 2N3904 DIP ON	Q401.402.404
070000000710G	TRN KTC3198-GR KEC 2SC1815	Q202.301.303.305.306.410
071000000100G	Tr. 2N3906 DIP ON	Q403
071000000510G	TRP KTA1266-GR KEC 2SA1015	Q201.302
0D0500070400G	PCB PERFORMER CTLHIAMP PCB	

PHONIC

AC PCB-PART LIST

Phonic Part No.	Specifications	Ref.
006104547030G	MF RES. 470K F 0.5W T	R401
00A000925081G	NTC TERMISTOR N15SP2R5L	NTC401.402
01J02E101020G	LINE/C 0.001MF K 275V P(FXK2A7D10K	C401
01J12D203320G	LINE/C 0.0033MF M 250V Y2	C404.405
01J22F104740G	LINE/C 0.47MF K 300V	C402.403
020033003700G	X'MER 110/115/230V	T401
030000000800G	CHOCK COIL TF5104	L406
030000001000G	CHOCK COIL 1115	L401.402
067005000100G	LED BL-B2141 GRN	LED402
091020200300G	SLD/SW RF-1002 RONG PENG	SW402
092010100100G	PSH/SW PA03-A1 (KDC-A04-10(B)	SW401
0AA100233500G	2P WAFER/P 70MM PITCH=2.5 24AWG	JP405
0AA100430800G	4P WAFER/P 230MM PITCH=2.5 24AWG	JP401
0AA100560200G	5P WAFER/P 220MM PITCH=3.96 16AWG	JP402
0D0500070200G	PCB PERFORMER AC/IN PCB	
0F5462010000G	M.WIRE UL1617 #16 100MM RED	POWER SW
0F5462013000G	M.WIRE UL1617 #16 130MM RED	VAC1_IN
0L0430061001G	M/E PAN SCR. M3.0*6 NI D=5.5MM	
0N1000006000G	LUG square PIN JP-15	VAC1_IN,VAC2_IN
0N8000986300G	BOSS M3*13.5MM	AC PCB*6
0NH213603000G	AC FILTER 13.6uH	L403

POWER REQUIREMENT CLASSIFICATIO

Phonic Part No.	Specifications	Ref.
0C0010800000G	FUSE 8A 125V UL CSA S 5.2*20	UL
0F0081001720G	P/CORD 120V 10A 6F 3PUL/CSA	
0K9050007100G	OWN. MANU. PERFORMER	
0C0063630000G	FUSE 6.3A 250V VDE/CE S	
0F0261001420G	P/CORD 240V 10A 6F 3P BS	BS
0K8000100100G	POWER LABEL (ONLY USED IN BS)	
0K9050007100G	OWN. MANU. PERFORMER	
0C0063630000G	FUSE 6.3A 250V VDE/CE S	
0F0271042201G	P/CORD 10A/250V SA 2.5M 3P 90degree	SA
0K9050007100G	OWN. MANU. PERFORMER	
0C0063630000G	FUSE 6.3A 250V VDE/CE S	
0F0111001820G	P/CORD 240V 10A 6F 3P SAA SVT	SAA
0K9050007100G	OWN. MANU. PERFORMER	
0C0063630000G	FUSE 6.3A 250V VDE/CE S	
		IEC
0F0151001320G	P/CORD IEC 10A 6F 3P SVT	FS401
0K9050007100G	OWN. MANU. PERFORMER	
0C0063630000G	FUSE 6.3A 250V VDE/CE S	
		JIS
0F0081204620G	P/CORD 100V 12A 2M 1MM/2P JIS	FS401
0K9050007300G	OWN. MANU. PERFORMER JIS	
0C0010800000G	FUSE 8A 125V UL CSA S 5.2*20	

PHONIC
WWW.PHONIC.COM