

POWERED MIXER

POWERPOD 1062 REV. 1

SERVICE MANUAL



PHONIC
www.phonic.com

POWERED MIXER

POWERPOD 1062 REV. 1

SERVICE MANUAL

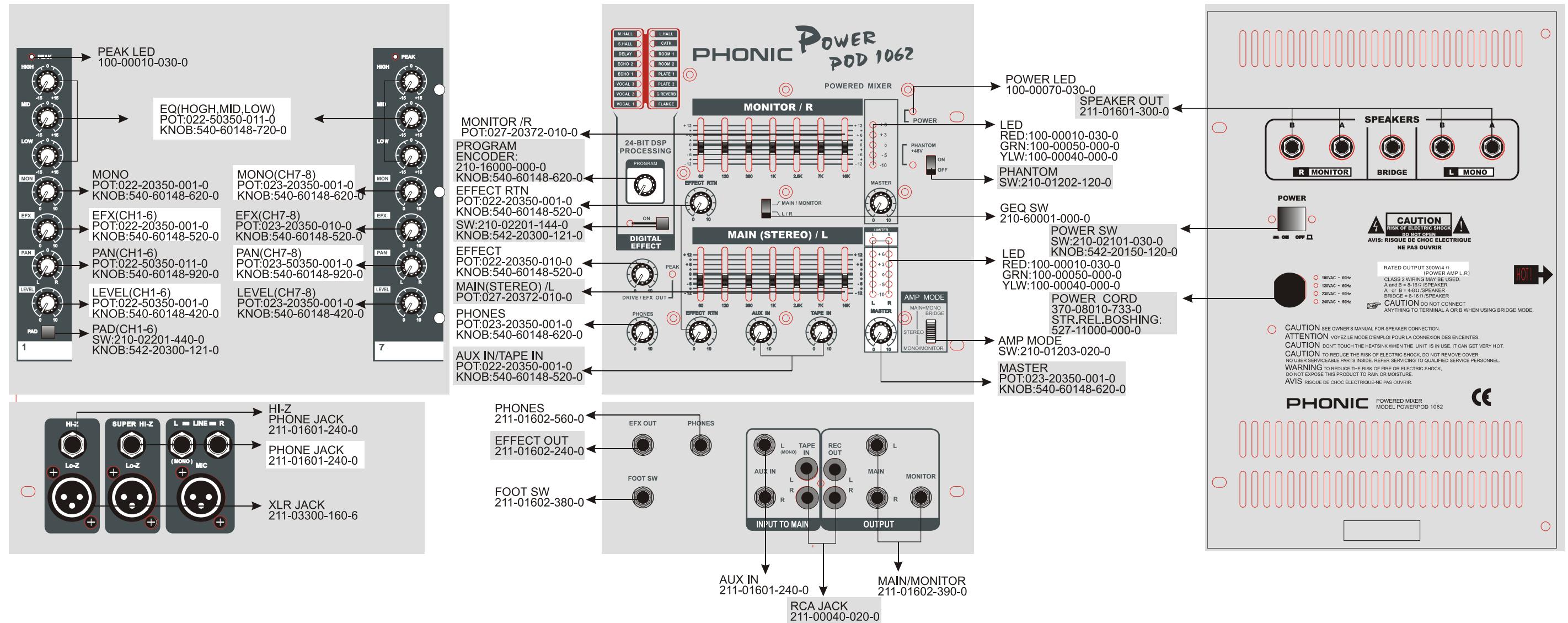
CONTENTS

PANEL LAYOUT.....	3	EFFECT PROCESSOR SCHEMATIC(2-1).....	17
SYSTEM BLOCK DIAGRAM.....	4	EFFECT PROCESSOR SCHEMATIC(2-2).....	18
PCB		MAIN SUM SCHEMATIC.....	19
POWER AMPLIFIER&POWER SUPPLY PCB.....	5	MON&EFFECT SCHEMATICS.....	20
CHANNEL 1~6 PCB.....	6	SPEAKER OUTPUT & RELAY SCHEMATIC.....	21
EFFECT PROCESSOR PCB	7	POWER SUPPLY SCHEMATIC.....	22
CHANNEL7~8 & MASTER SECTION PCB.....	8	PART LIST	
SPEAKER OUTPUT & POWER SWITCH PCB....	9	CHANNEL1~6 PCB-PART LIST.....	23
SCHEMATIC		EFFECT PROCESSOR PCB-PART LIST.....	27
POWER.AMPLIFIER SCHEMATIC(LEFT).....	10	OUTPUT PCB- PART LIST.....	29
POWER AMPLIFIER SCHEMATIC(RIGHT).....	11	POWER AMPLIFIER& POWER SUPPLY PCB- PART LIST.....	30
CHANNEL1-4 SCHEMATIC.....	12	CHANNEL7-8& MASTER PCB-PART LIST.....	35
CHANNEL5-6 SCHEMATIC.....	13	MISCELLANEOUS ITEMS.....	41
CHANNEL7 SCHEMATIC.....	14	POWER REQUIREMENT CLASSIFICATION.....	44
CHANNEL8 SCHEMATIC.....	15	DIMENSIONS.....	49
DISPLAY SCHEMATIC.....	16	EXPLODED VIEW.....	50

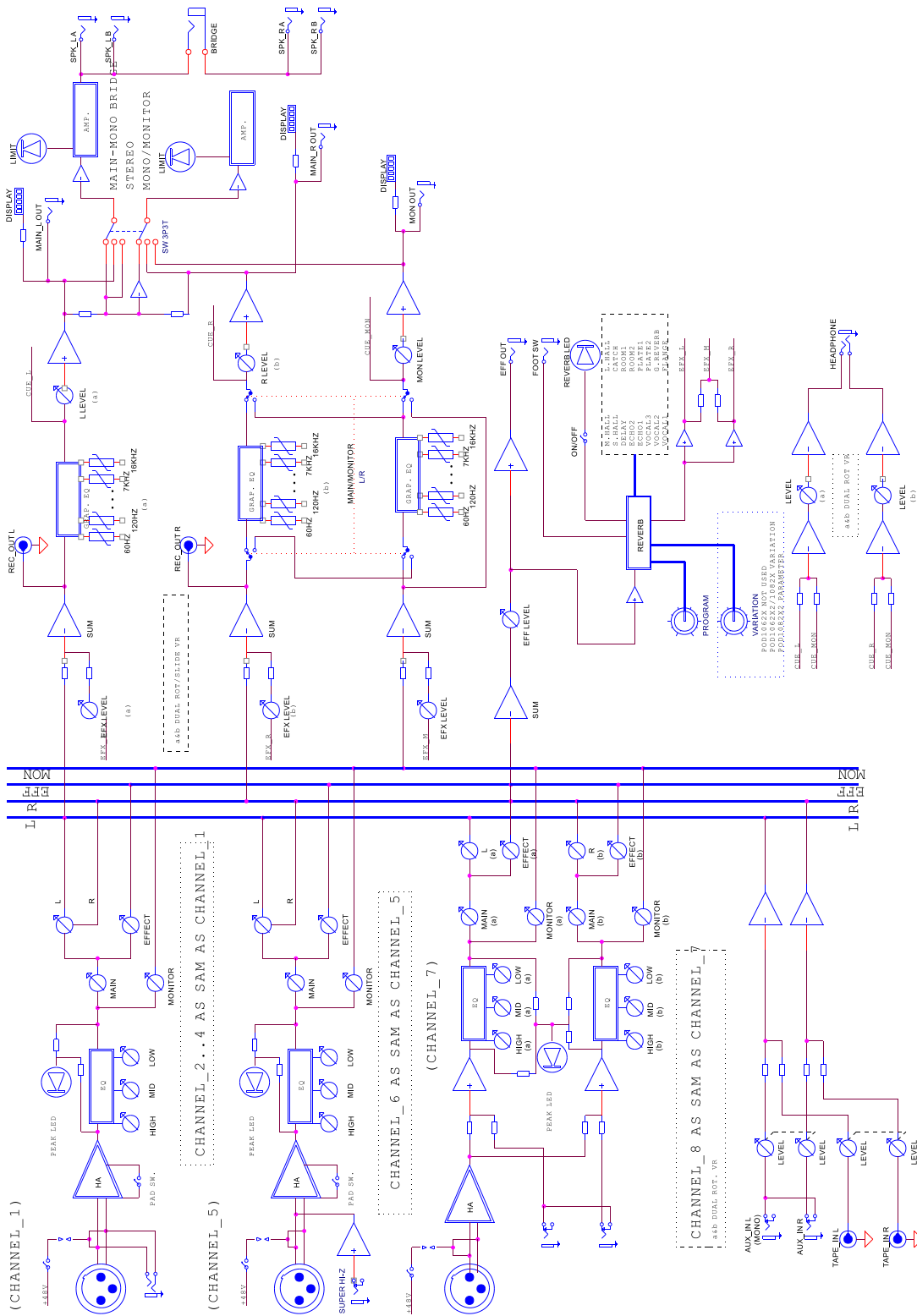
Phonic reserves the right to improve or alter any information supplied within this document without prior notice.

V2.1
Oct.11.2002

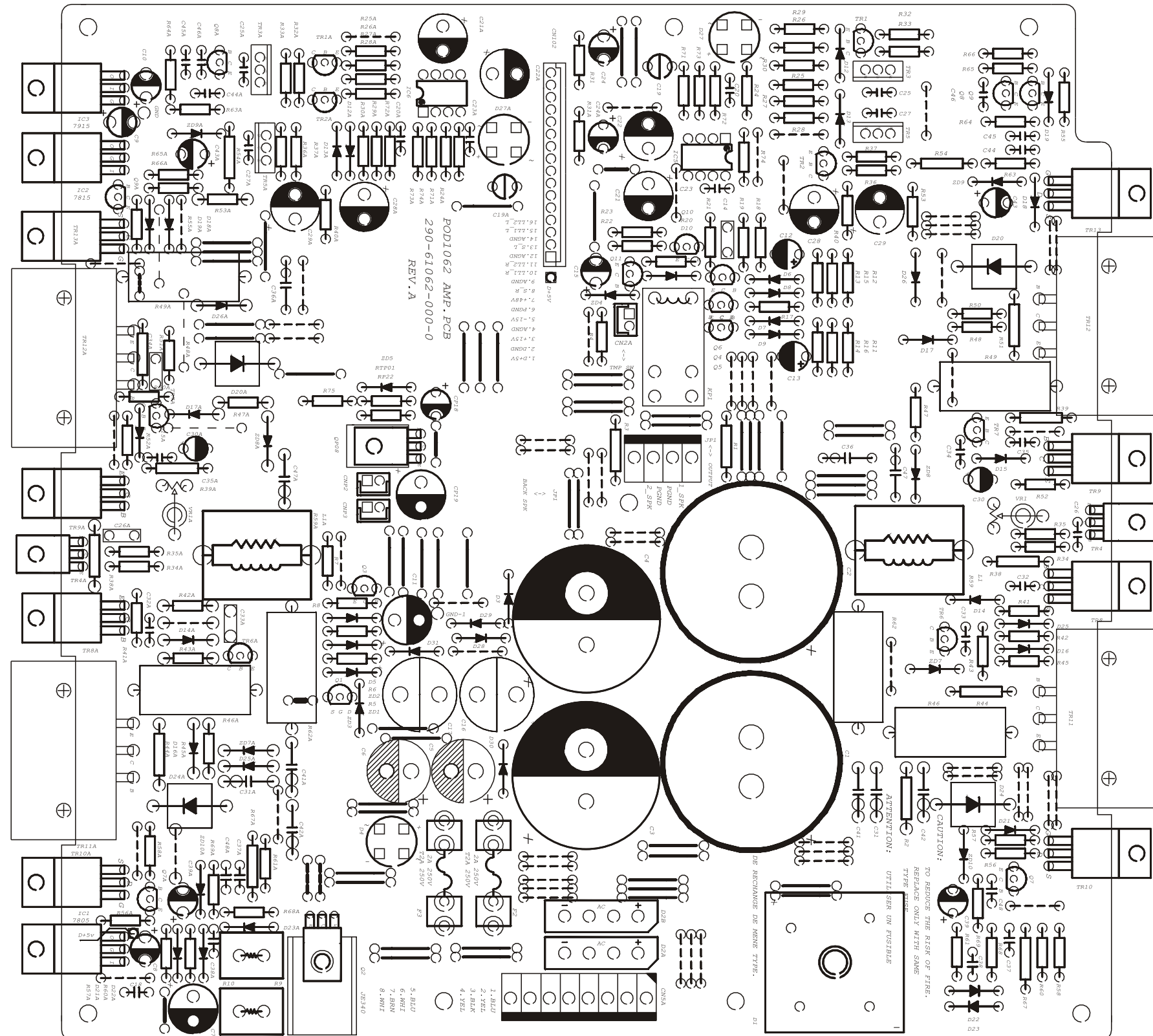
POWERPOD 1062 REV.1



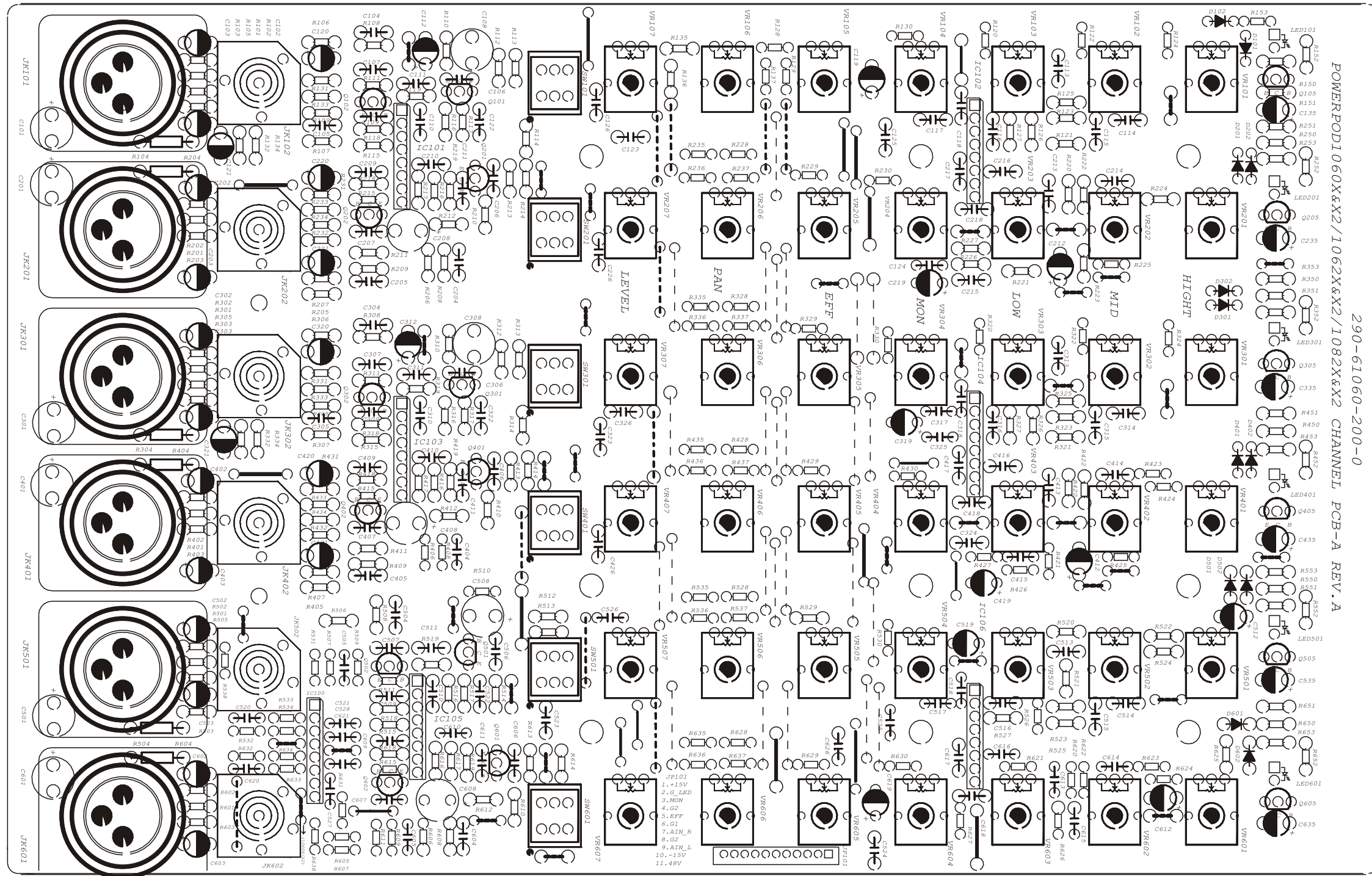
SYSTEM BLOCK DIAGRAM



POWER AMPLIFIER & POWER SUPPLY PCB



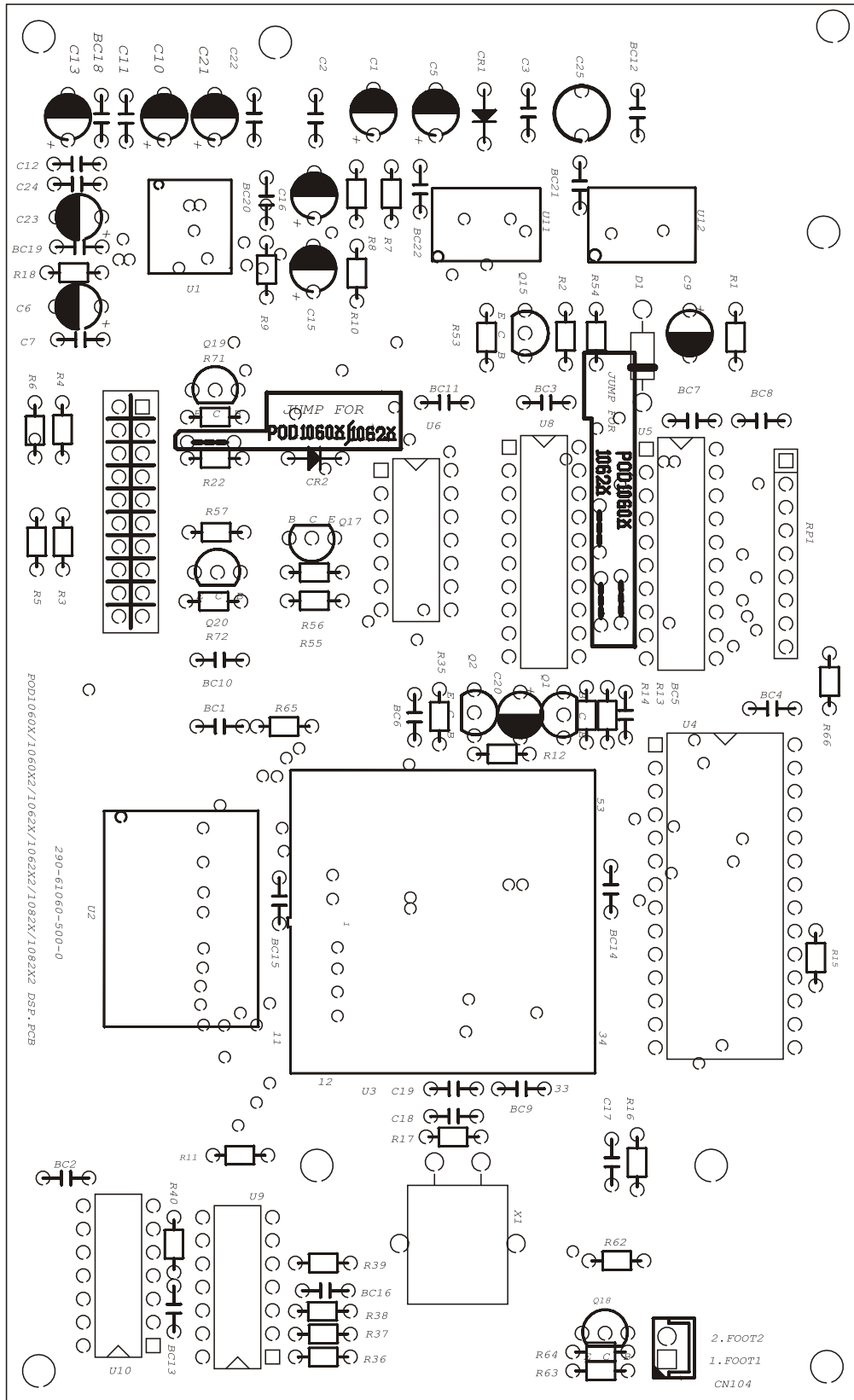
CHANNEL 1~6 PCB



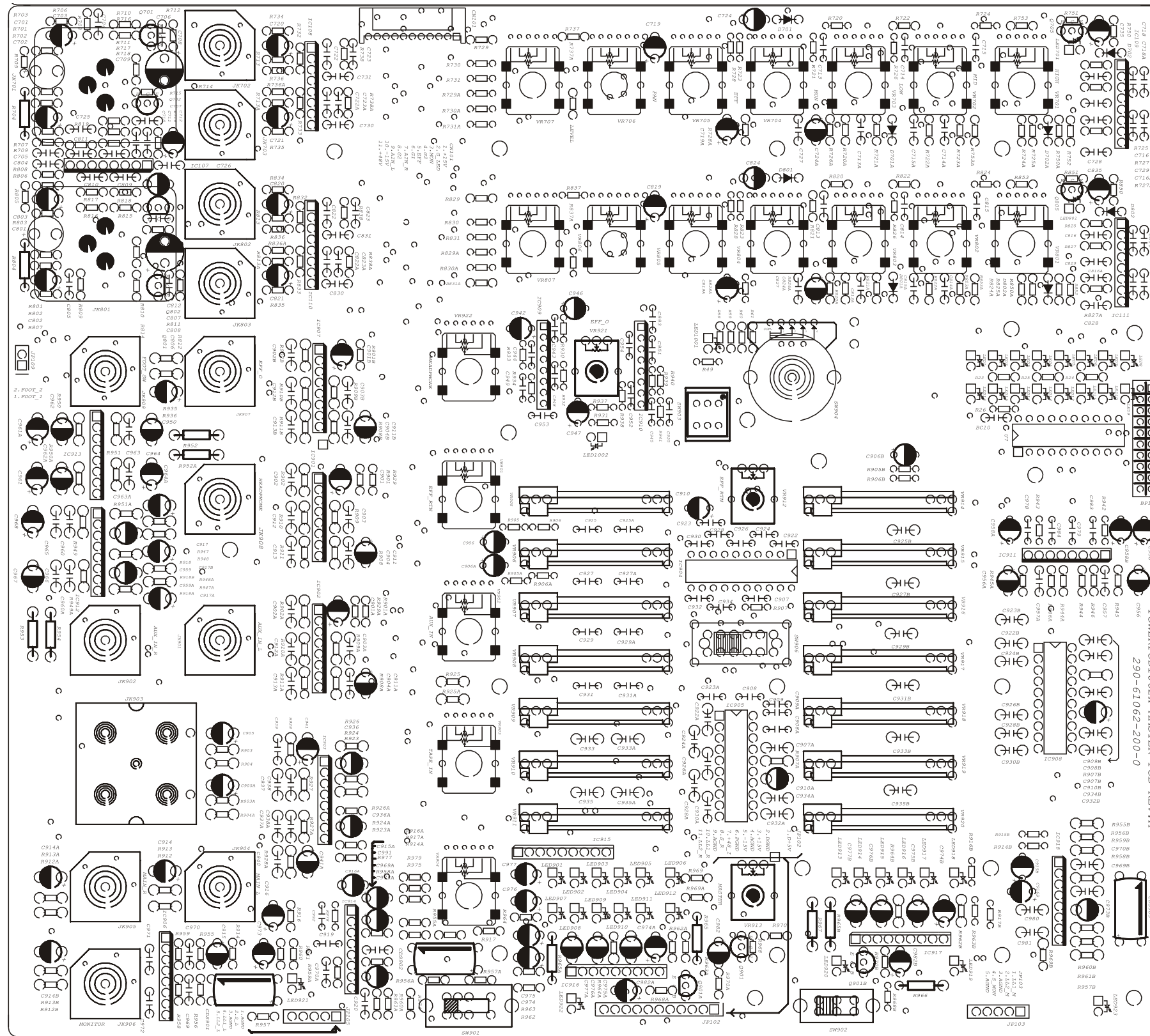
POWERPOD1060X&X2/1062X&X2/1082X&X2 CHANNEL PCB-A REV. A

290-61060-200-0

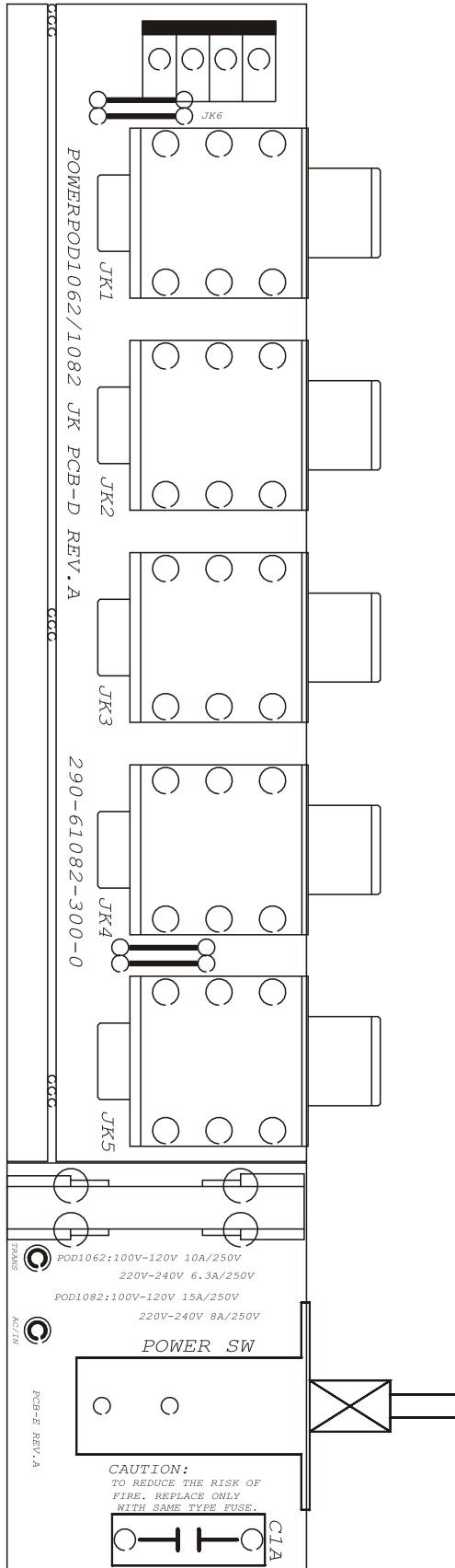
DSP PCB



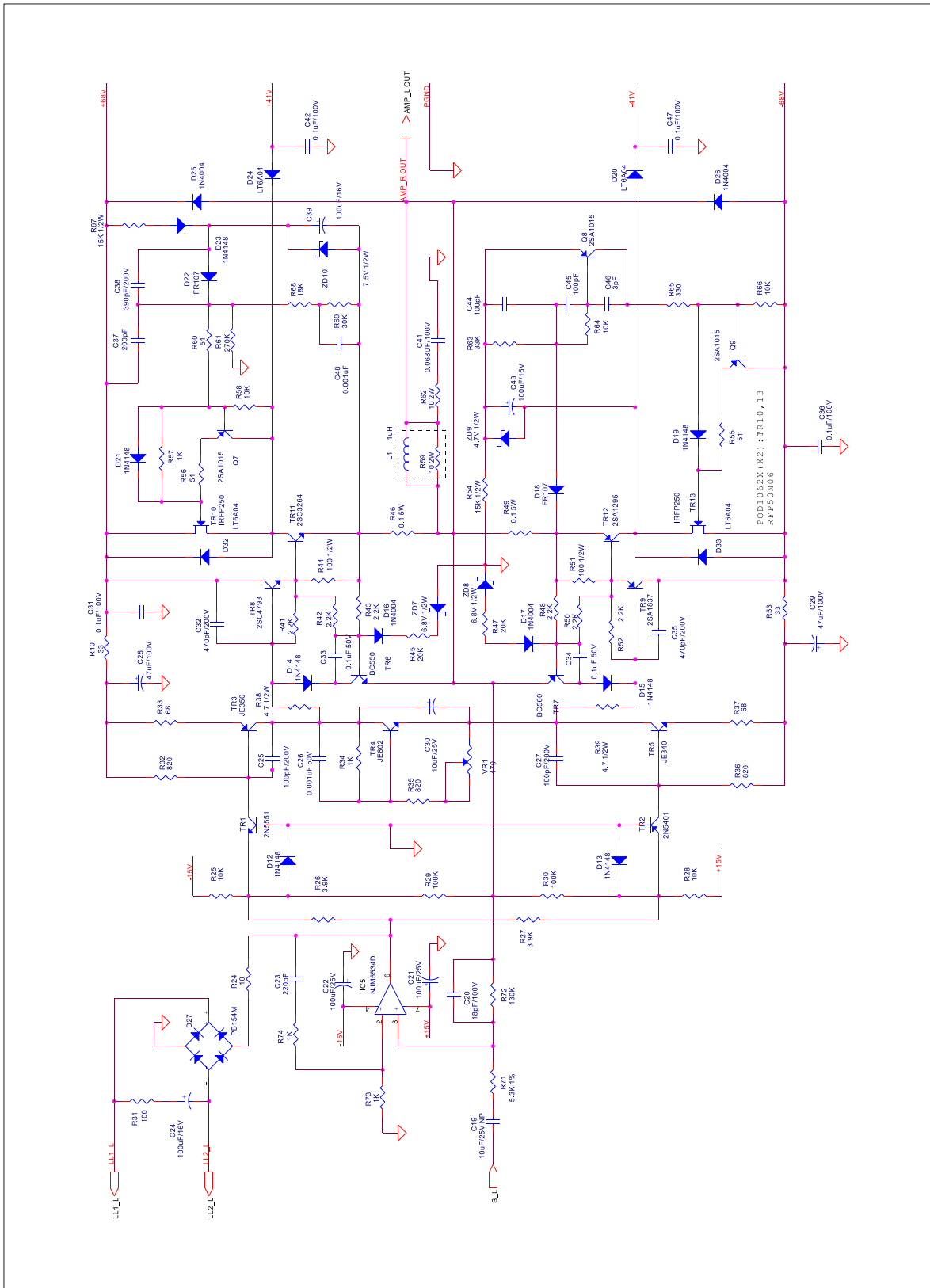
CHANNEL 7~8 & MASTER SECTION PCB



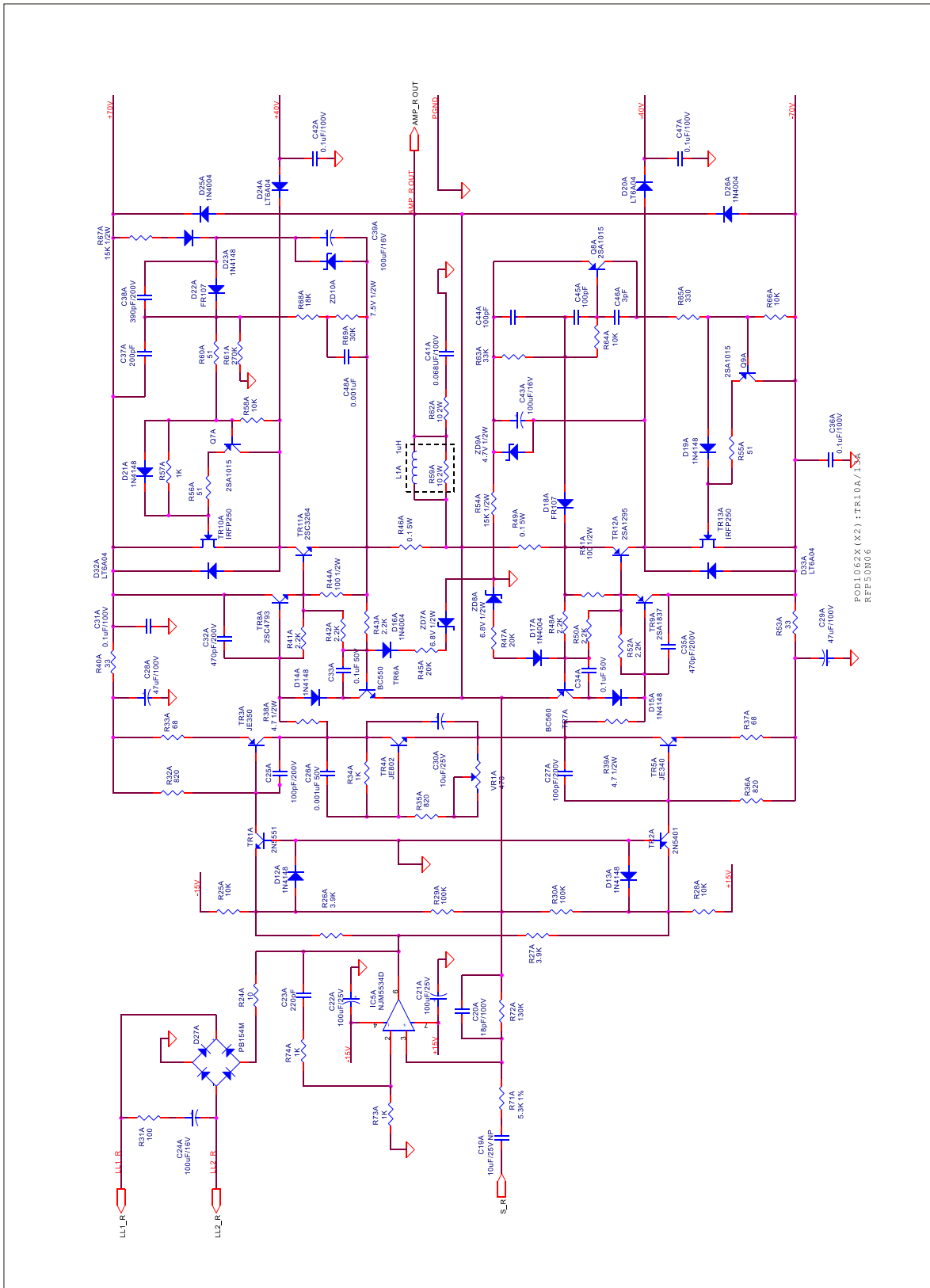
SPEAKER OUTPUT & POWER SWITCH PCB



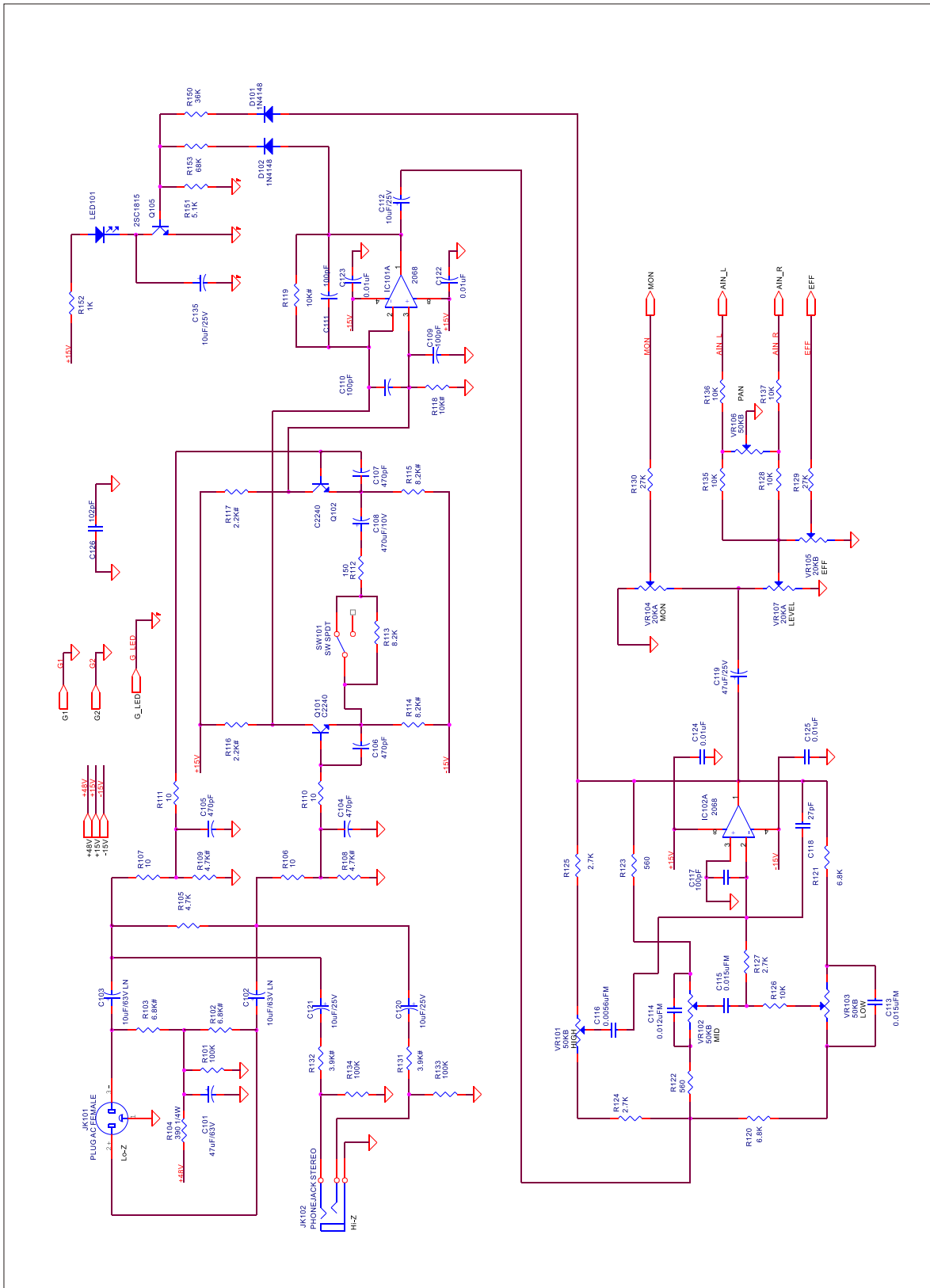
POWER AMPLIFIER SCHEMATIC(LEFT)



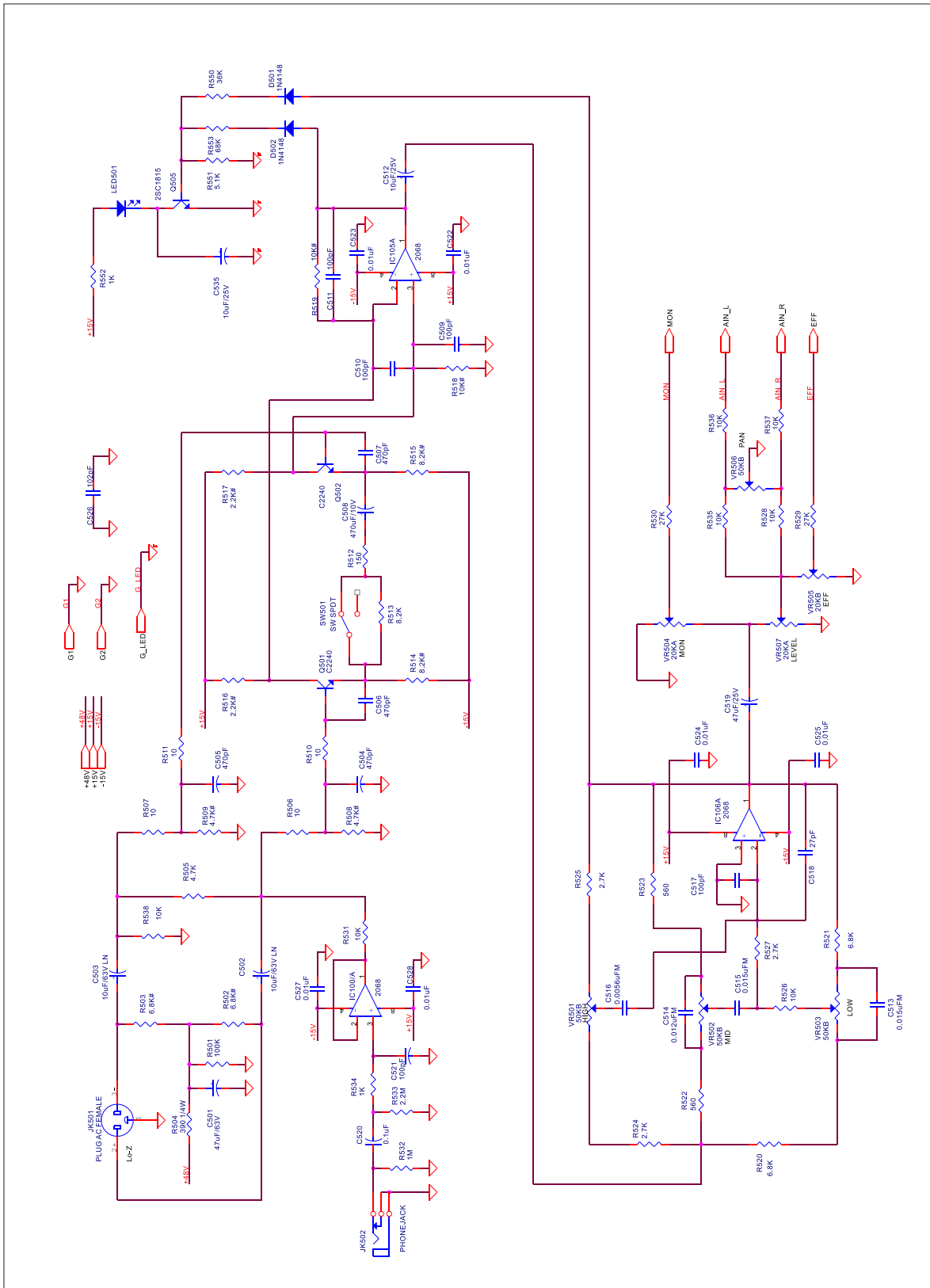
POWER AMPLIFIER SCHEMATIC(RIGHT)



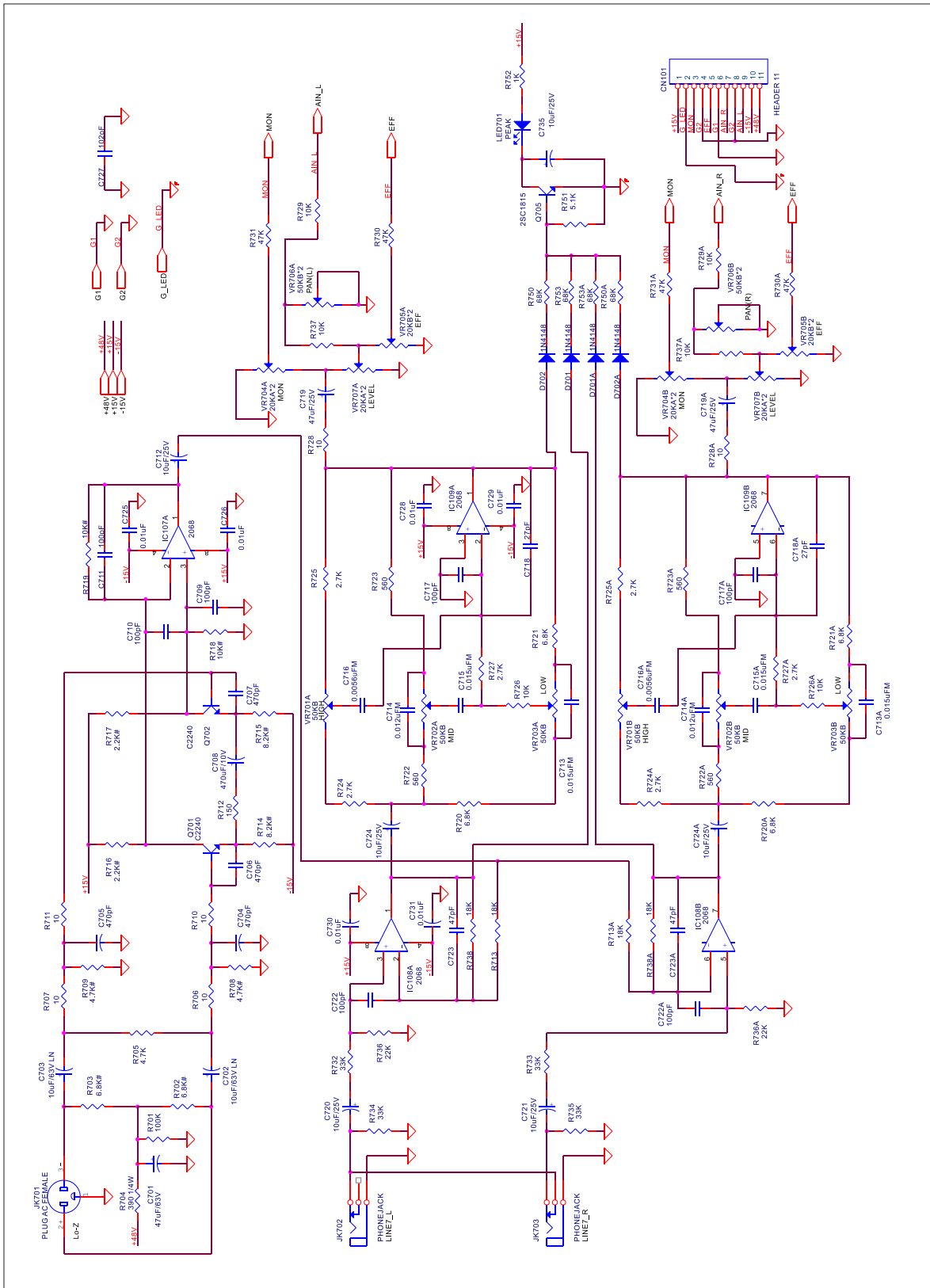
CHANNEL 1-4 SCHEMATIC



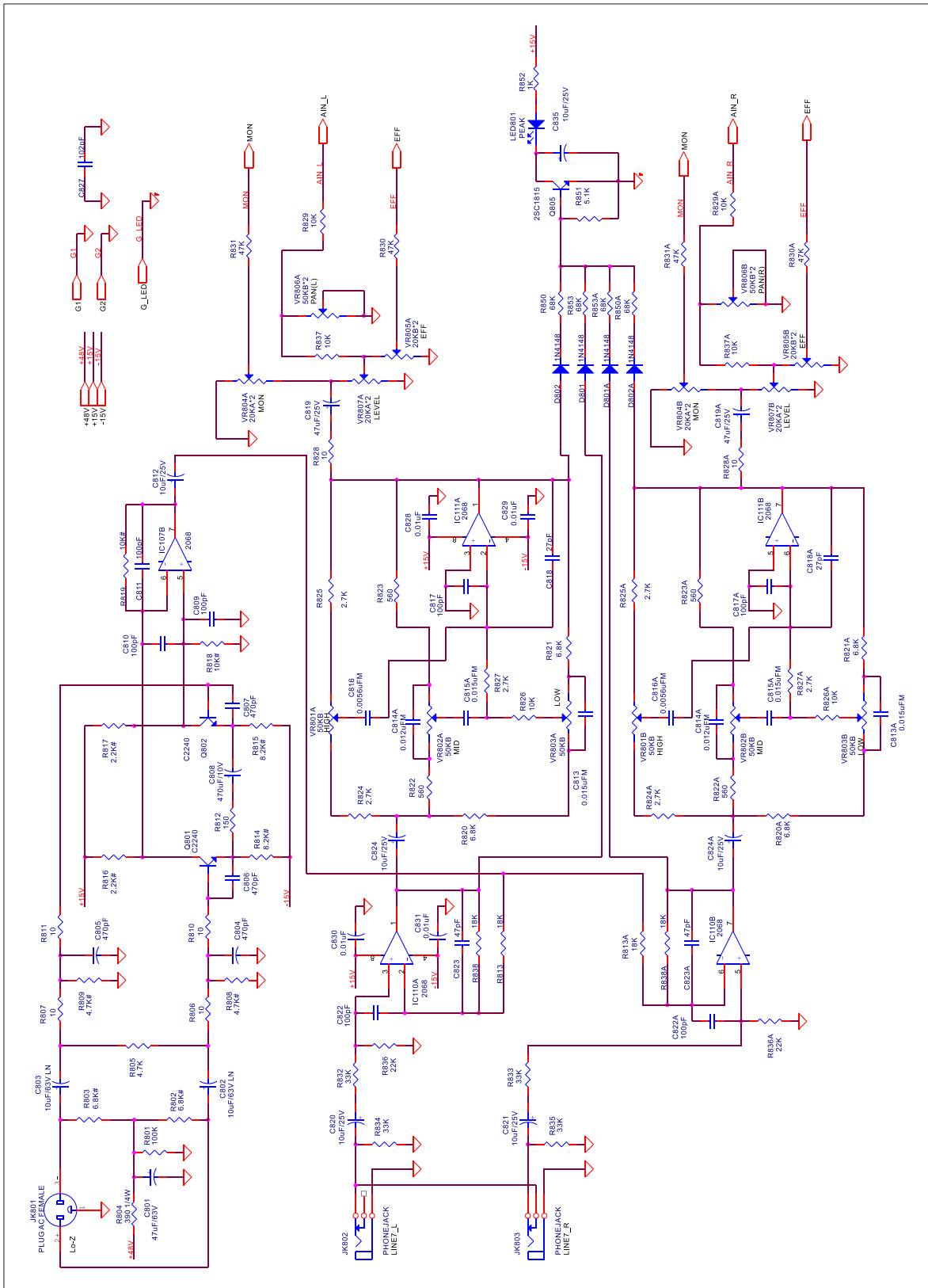
CHANNEL 5-6 SCHEMATIC



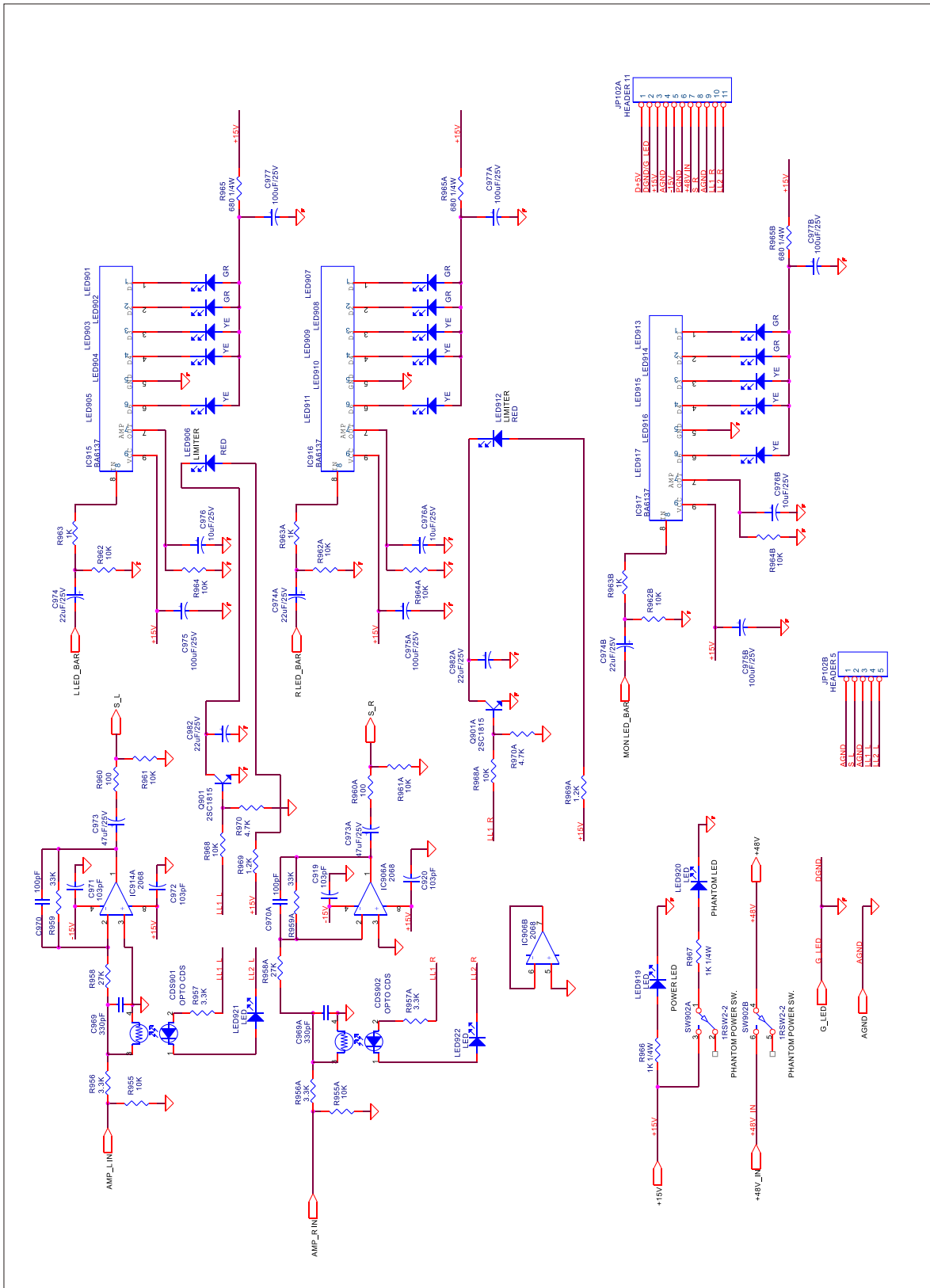
CHANNEL 7 SCHEMATIC



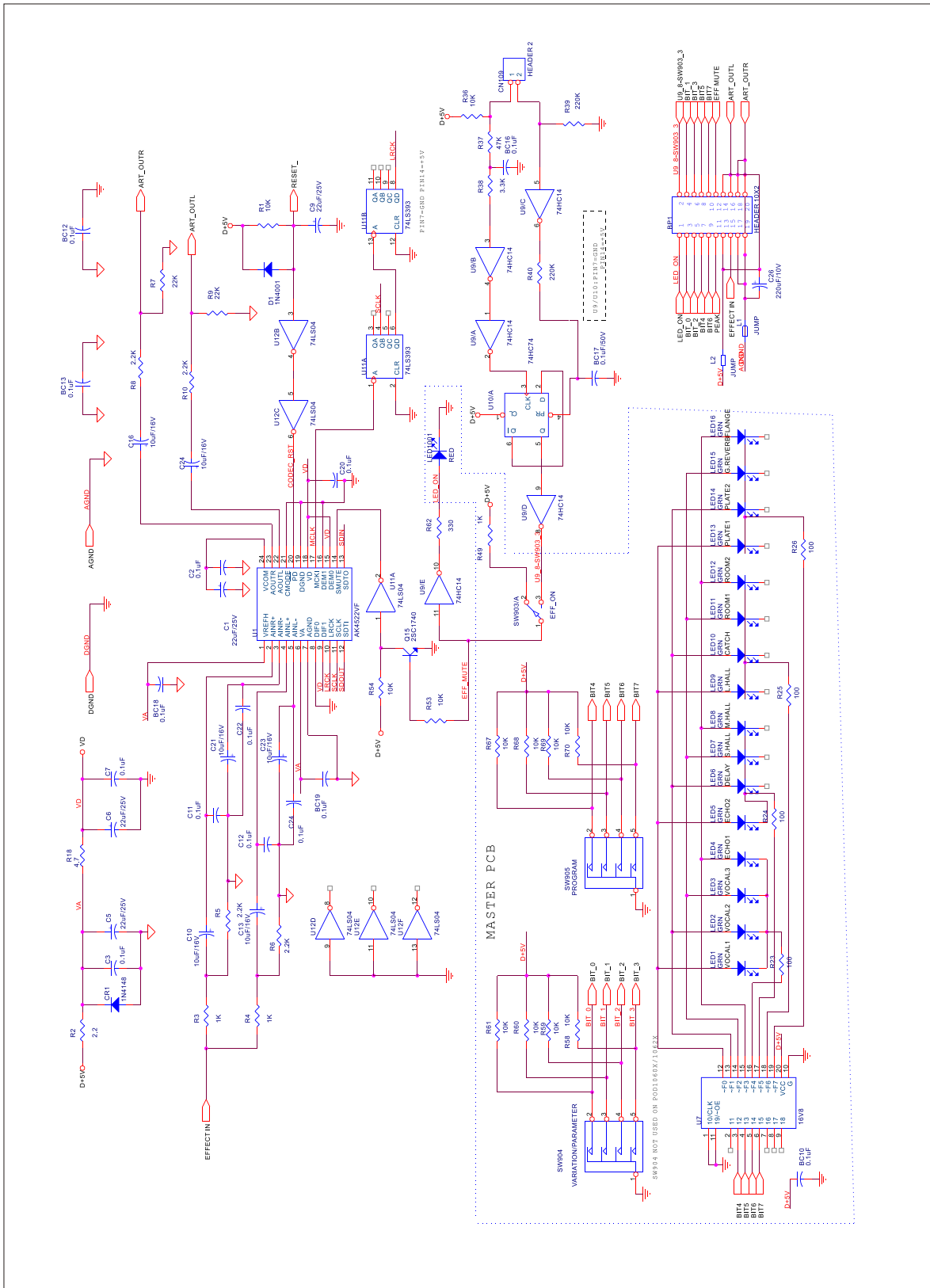
CHANNEL 8 SCHEMATIC



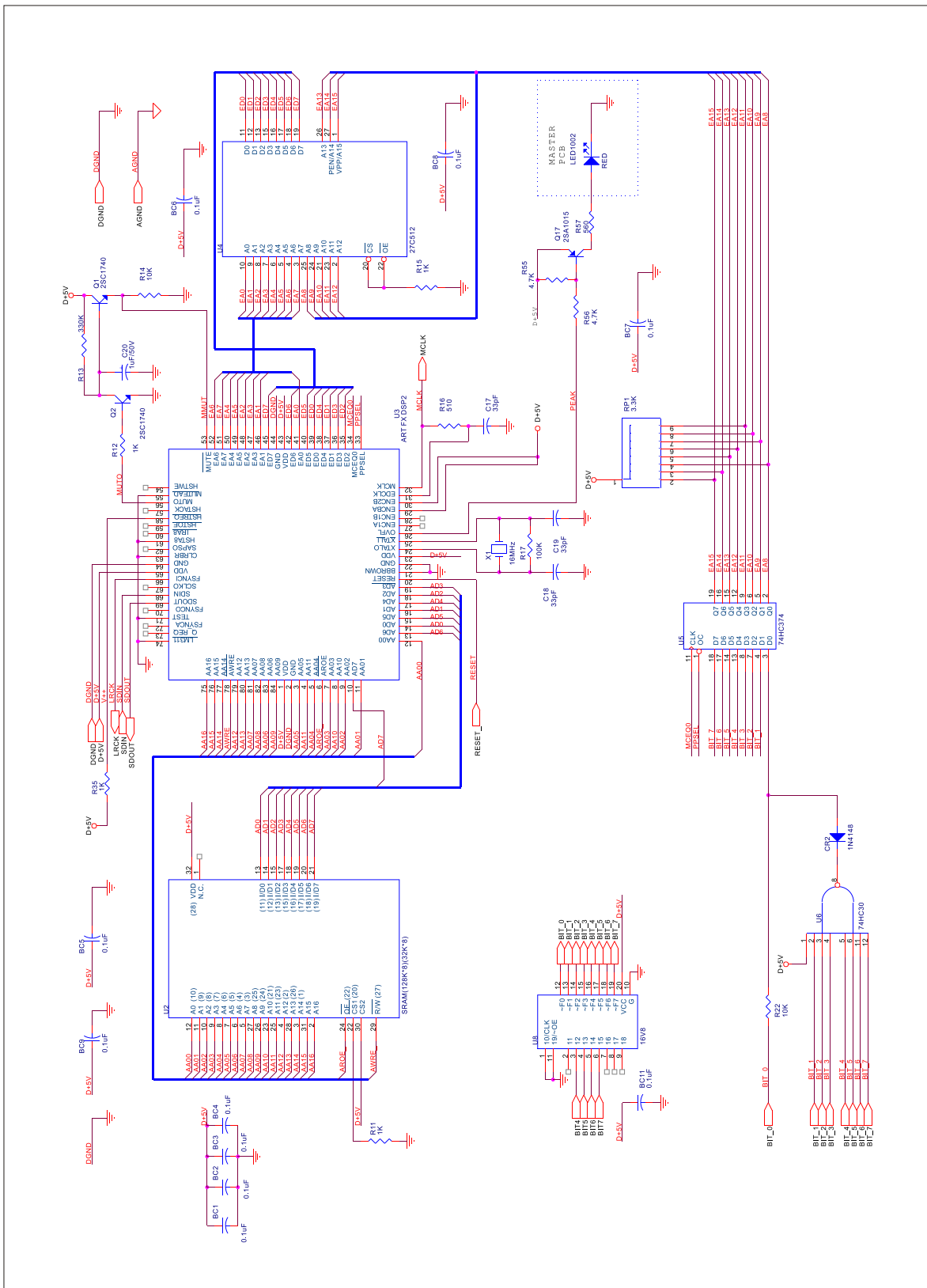
DISPLAY SCHEMATIC



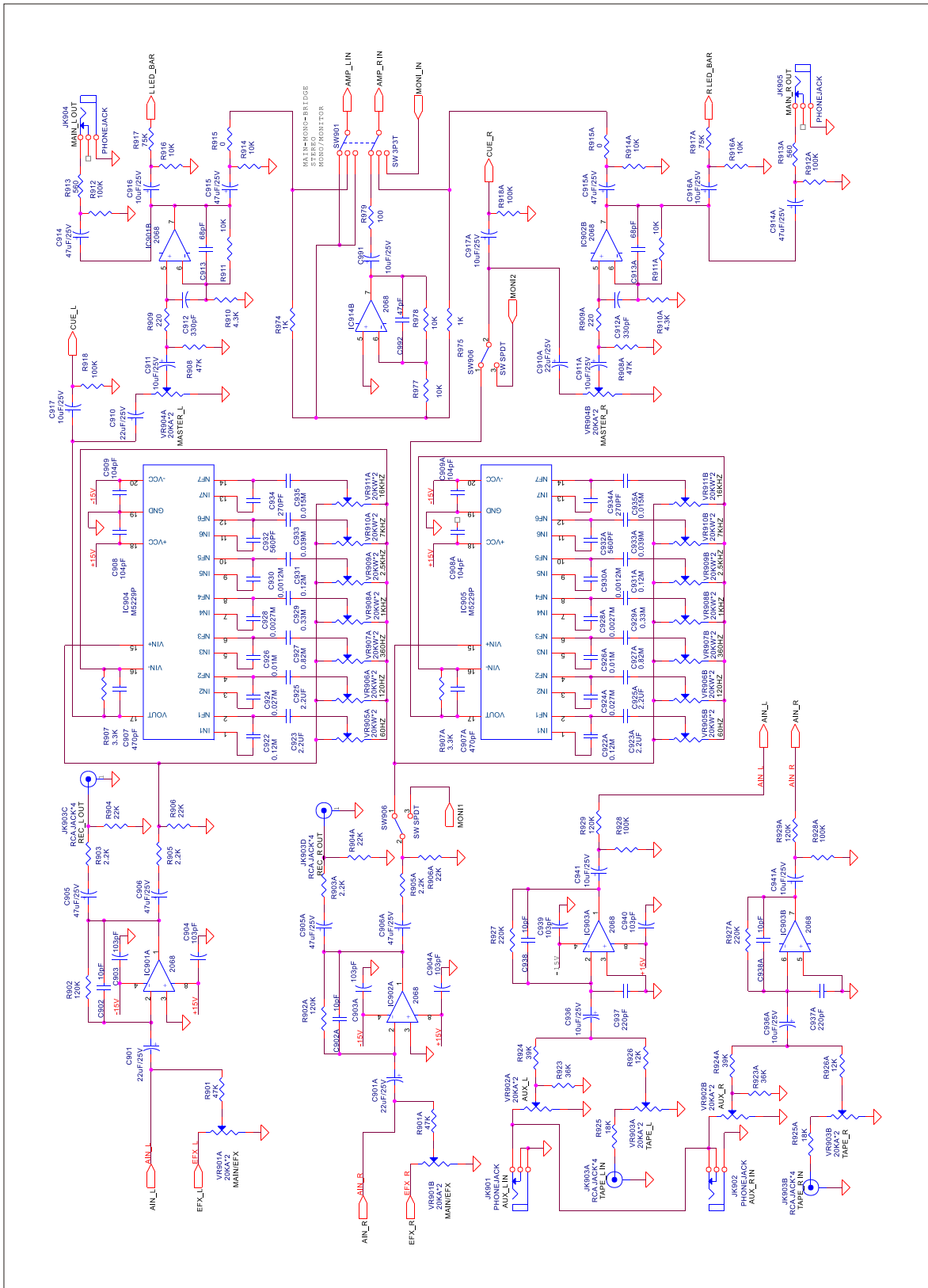
EFFECT PROCESSOR SCHEMATIC(2-1)



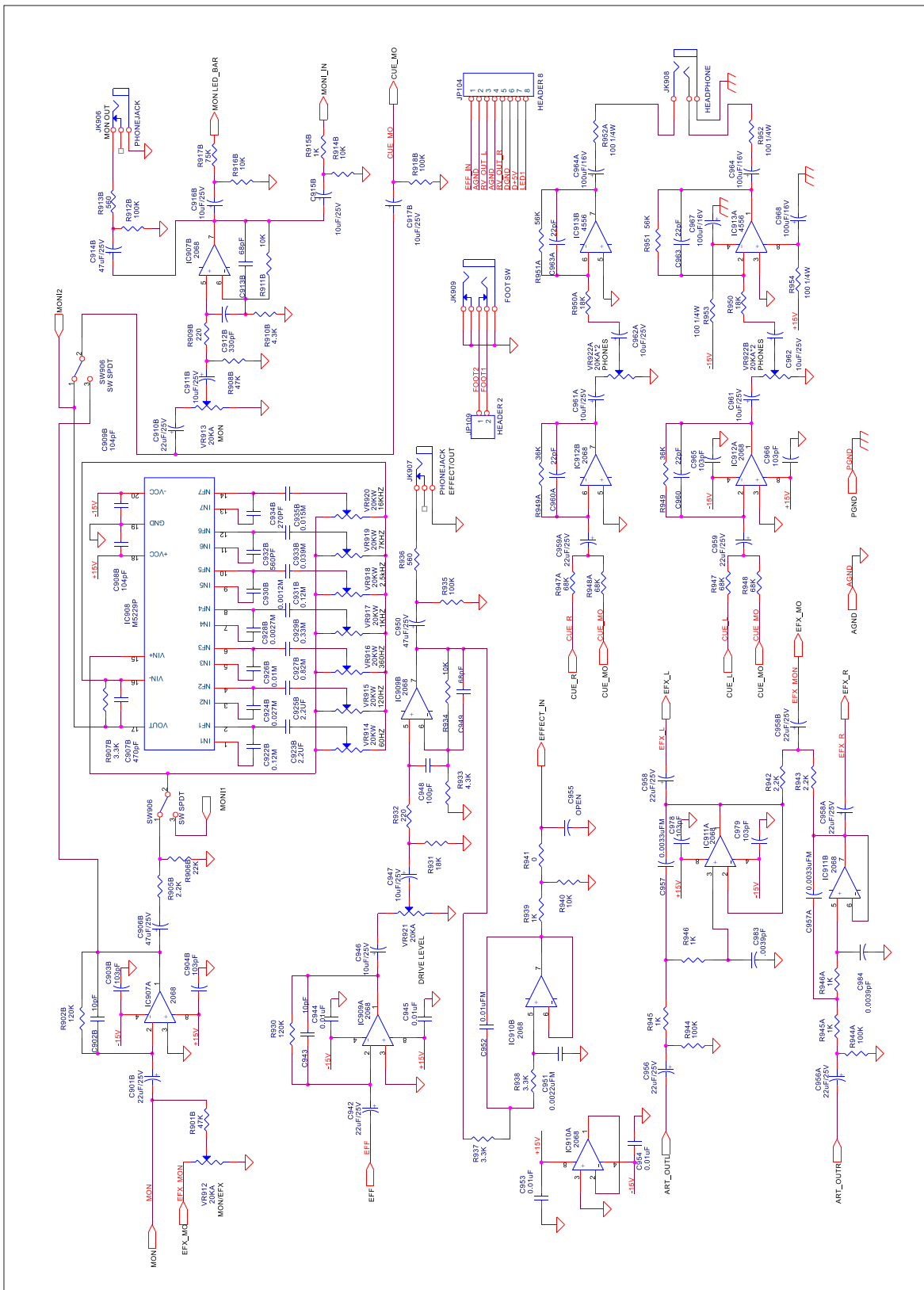
EFFECT PROCESSOR SCHEMATIC(2-2)



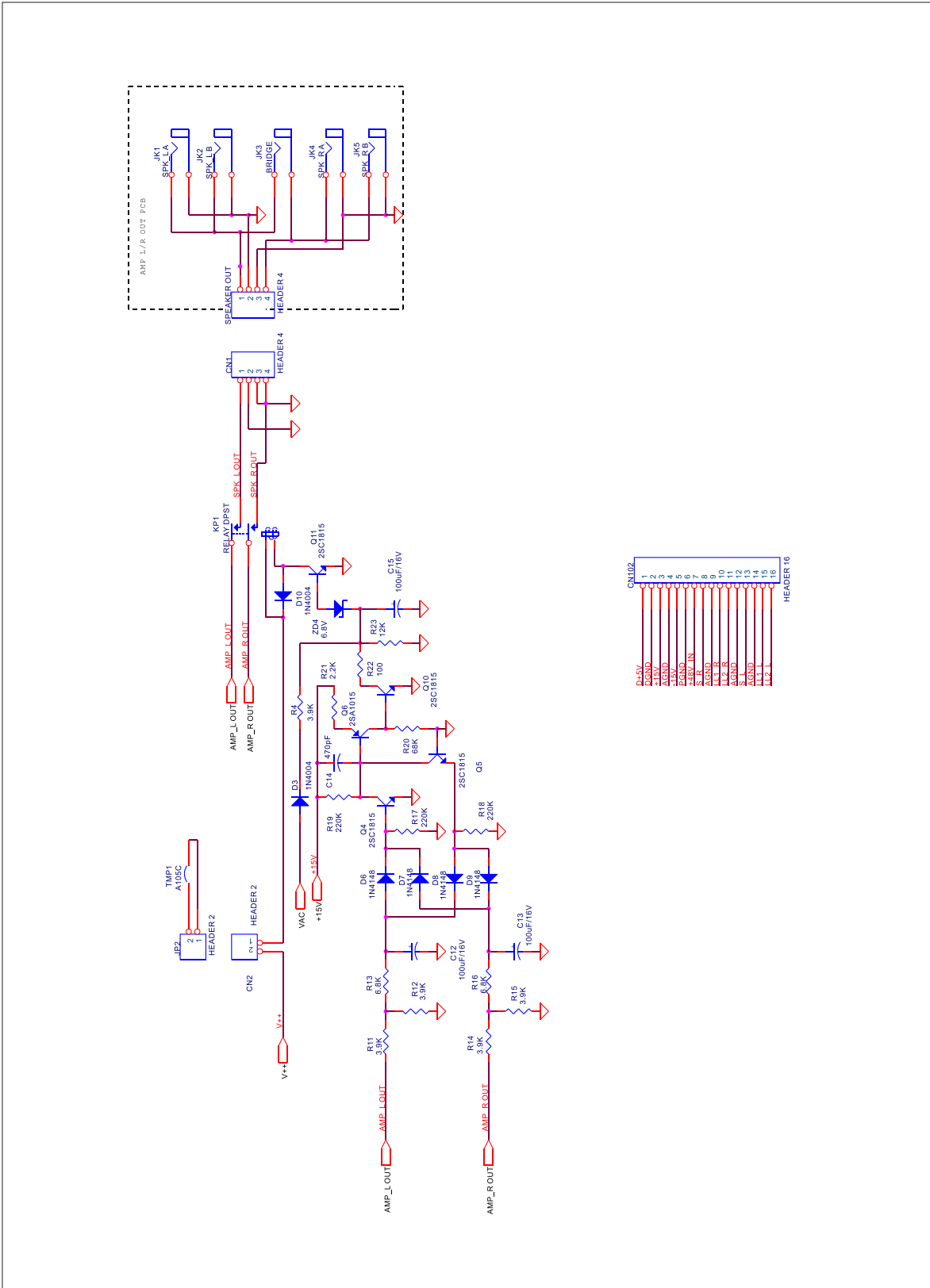
MAIN SUM SCHEMATIC



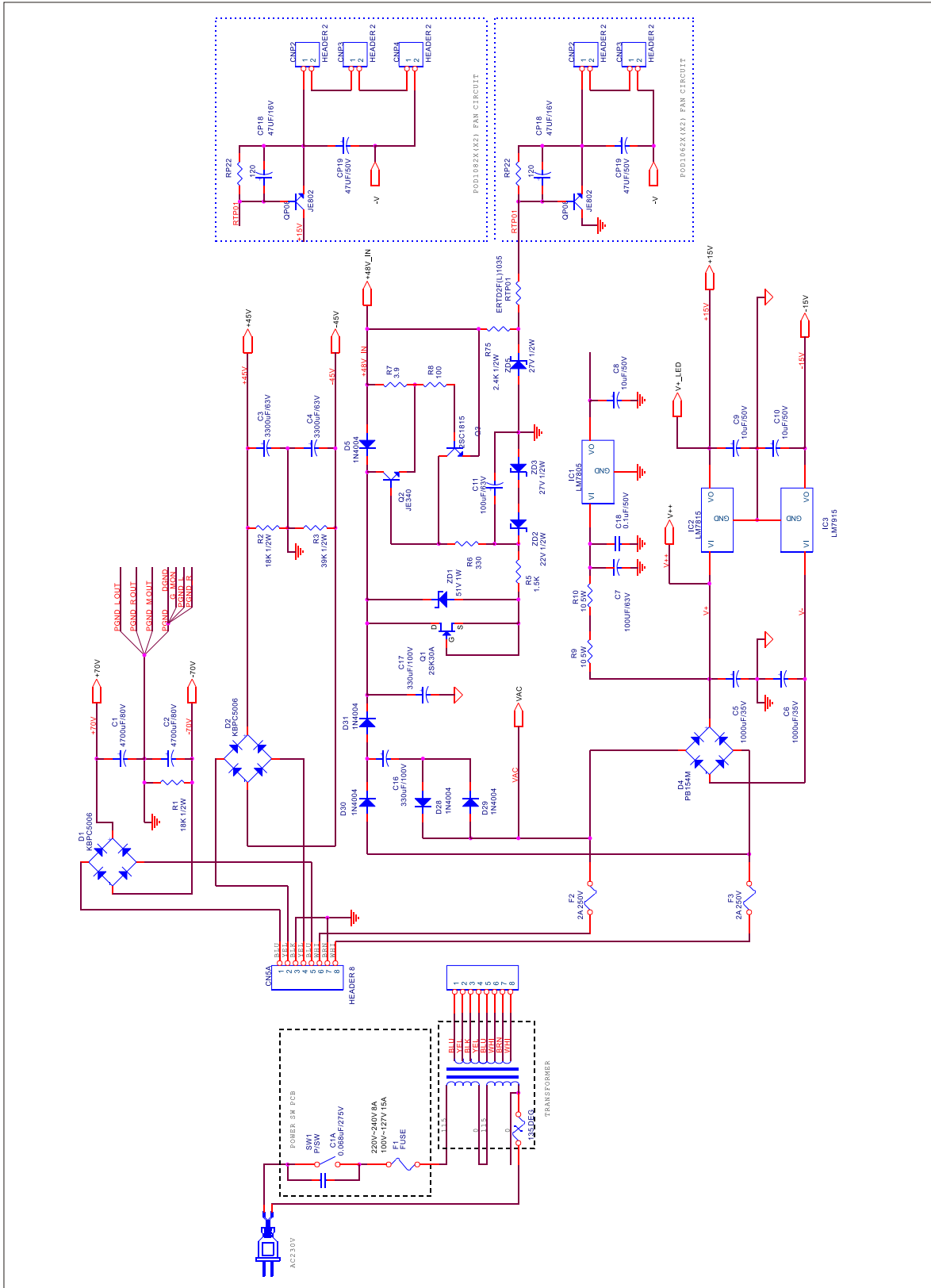
MON & EFFECT SCHEMATICS



SPEAKER OUTPUT & RELAY SCHEMATIC



POWER SUPPLY SCHEMATIC



CHANNEL 1~6 PCB-PART LIST

Ref.	Phonic	Specifications
	290-61060-200-0	POD1060X(X2)/1062X(X2)/108 2X(X2) CH PCB
	382-20005-010-0	TINNER WIRE 5.0MM D0.6
	382-20007-510-0	TINNER WIRE 7.5MM D0.6
	382-20010-010-0	TINNER WIRE 10MM D0.6
	382-20012-510-0	TINNER WIRE 12.5MM D0.6
	382-20015-010-0	TINNER WIRE 15MM D0.6
ALL LED*6	615-20092-620-0	LED HOUSING LED3-13
C101.201.301.401.501.6 01	030-47666-0A0-0	E/C 47MF M 63V T
C102.103.202.203.302.3 03.402.403.502.503.602. 603	033-10664-0A0-0	LN E/C 10MF J 63V T 6*11
C104-107.204-207.304-3 07.404-407.504-507.604- 607	042-47124-050-0	C/C2 470PF J 50V 5 T
C108.208.308.408.508.6 08	030-47718-0A0-0	E/C 470MF Z 10V 8*11 T
C109.110.111.117.209.21 0.211.217.309.310 .311.3 17.409.410.411.417.509. 510.511.517	042-10124-050-0	C/C2 100PF J 50V T
C112.120.121.135.212.22 0.221.235.312.320 .321.3 35.412.420.421.435.512. 535.612.635	030-10638-0A0-0	E/C 10MF Z 25V 5*11 T
C113.213.313.413.513.61 3.115.215.315.415 .515.6 15	046-15304-060-0	M/C 0.015MF J 50V 5 T
C114.214.314.414.514.614	046-12304-060-0	M/C 0.012MF J 50V 5 T
C116.216.316.416.516.61 6	046-56204-060-0	M/C 0.0056MF J 50V T
C118.218.318.418.518.61 8	042-27025-050-0	C/C 27PF K 50V T
C119.219.319.419.519.61 9	030-47638-0A0-0	E/C 47MF Z 25V 6.3*11 T

CHANNEL 1~6 PCB-PART LIST

Ref.	Phonic	Specifications
C122-125.322-325.522-5 25.527.528	046-10304-060-0	M/C 0.01MF J 50V 5 T
C126.226.326.426.526.6 26	042-10225-050-0	C/C2 0.001MF K 50V 5 T
C520.620	042-10426-050-0	C/C2 0.1MF M 50V 5 T
C521.621.609.610.611.61 7	042-10124-050-1	
D101.102.201.202.301.3 02.401.402.501.502.601. 602	090-02000-020-0	DIODE 1N4148 T
IC100-106.	160-00007-510-0	IC NJM2068L JRC
JK101.201.301.401.501.6 01	211-03300-160-6	XLR/J SKCA229-1K3F2
JK102.202.302.402	211-01602-390-0	6D3/J JY-6351-02-030 SCJ-0658
JK502.602	211-01601-240-0	6D3/J JY-6351-02-130 SCJ-0658
JP101	212-10110-160-0	11P WAFER/P 100mm UL1007#24 PITCH:2.0
LED101.201.301.401.501 .601	100-00010-030-0	LED BL-B5141 RED
Q101.102.201.202.301.3 02.401.402.501.502.601. 602	120-00001-010-0	TRAN 2SC2240-BL TOSHIBA
Q105.205.305.405.505.6 05	120-00000-800-0	TRAN. 2SC1815 GR TOSHIBA
R101.133.134.201.233.2 34.301.333.334.401 .433. 434.501.601	000-10406-400-0	CF RES. 100K J 1/8W T
R102.103.202.203.302.3 03.402.403.502.503 .602. 603	006-68010-440-0	MF RES 6K8 F 1/8W T
R104.204.304.404.504.6 04	000-39126-400-0	CF RES. 390 J 0.25W T
R105.205.305.405.505.6 05	000-47206-400-0	CF RES 4.7K J 1/8W T

CHANNEL 1~6 PCB-PART LIST

Ref.	Phonic	Specifications
R106.107.110.111.206.20 7.210.211.306.307.310.31 1.406.407.410.411.506.5 07.510.511	000-10006-400-0	CF RES. 10 J 1/8W T
R108.109.208.209.308.3 09.408.409.508.509 .608. 609	006-47010-440-0	MF RES 4K7 F 1/8W T
R112.212.312.412.512.61 2	000-15106-400-0	CF RES.150J 1/8W T
R113.213.313.413.513.61 3	000-82206-400-0	CF RES. 8K2 J 1/8W T
R114.115.214.215.314.31 5.414.415.514.515.614.6 15	006-82010-440-0	MF RES 8K2 F 1/8W T
R116.117.216.217.316.31 7.416.417.516.517.616.6 17	006-22010-440-0	MF RES 2K2 F 1/8W T
R118.119.218.219.318.31 9.418.419.518.519 .531.5 38.618.619.631.638	006-10020-440-0	MF RES 10K F 1/8W T
R120.220.320.420.520.6 20.121.221.321.421.521. 621	000-68206-400-0	CF RES. 6K8 J 1/8W T
R122.123.222.223.322.3 23.422.423.522.523.622. 623	000-56106-400-0	CF RES. 560 J 1/8W T
R124.125.127.224.225.2 27.324.325.327.424 .425. 427.524.525.527.624.625 .627	000-27206-400-0	CF RES. 2K7 J 1/8W T
R126.128.135-137.226.2 28.235-237.326.328.335- 337.426.428.435-437.526 .528.535	000-10306-400-0	CF RES. 10K J 1/8W T
R129.130.229.230.329.3 30.429.430.529.530.629. 630	000-27306-400-0	CF RES. 27K J 1/8W T

CHANNEL 1~6 PCB-PART LIST

Ref.	Phonic	Specifications
R131.132.231.232.331.3 32.431.432	006-39010-440-0	MF RES 3K9 F 1/8W T
R150.250.350.450.550.6 50	000-36306-400-0	CF RES. 36K J 1/8W T
R151.251.351.451.551.6 51	000-51206-400-0	CF RES. 5K1 J 1/8W T
R152.252.352.452.552.6 52.534.634	000-10206-400-0	CF RES. 1K J 1/8W T
R153.253.353.453.553.6 53	000-68306-400-0	CF RES. 68K J 1/8W T
R532.632	000-10506-400-0	CF RES. 1M J 1/8W T
R533.633	000-22506-400-0	CF RES. 2M2 J 1/8W T
R536.537.626.628.635-6 37	000-10306-400-1	
R606.607.610.611	000-10006-400-1	
SW101.201.301.401.501. 601	210-02201-440-0	PSH/SW 2P2T SFPC12MC03-PF
VR101-103.106.201-203. 206.301-303.306.401-403 .406.501-503.506.601-60 3.606.	022-50350-011-0	S.ROT/VR 50KB(C.C)L=30MM
VR104.107.204.207.304. 307.404.407.504.50 7.604.607	022-20350-001-0	S.ROT/VR 20KA L=30MM F=12MM
VR105.205.305.405.505. 605	022-20350-010-0	S.ROT/VR 20KB 30MM P

EFFECT PROCESSOR PCB-PART LIST

Ref.	Phonic	Specifications
	290-61060-500-0	POD1060X(X2)/1062X(X2)/1080X(X2) DSP PCB
BC1-16.18-22.C2.3.7.22. 24	042-10426-050-0	C/C2 0.1MF M 50V 5 T
BP1	211-09202-000-0	20P B.E./S 180DEGREE
C1.5.6.9	030-22636-0A0-0	E/C 22MF 25V Z 5*11 T
C10.13.15.16.21.23	030-10636-0A0-0	E/C 10MF M 25V 5*11 T
C11.12	042-22225-050-0	C/C2 0.0022MF K 50V 5 T
C17.18.19	042-33024-050-0	C/C2 33PF J 50V 5 T
C20	030-10556-0A0-0	E/C 1MF M 50V 5*11 T
C26	030-22718-0A0-0	E/C 220MF Z 10V 8*11 T
CN109	211-10021-161-0	2P WAFER/S TJC3-2A P=2.5MM 180DEGREE
CR1.2	090-02000-020-0	DIODE 1N4148 T
D1	090-00000-020-0	DIODE 1N4001 SILITEK T
Q1.2.15	120-00004-600-0	TRAN. 2SC1740 LN-R ROHM
Q17.18	121-00000-200-0	TRAN. 2SA1015 GR TOSHIBA
R1.14.22.36.53.54	000-10306-400-0	CF RES. 10K J 1/8W T
R13	000-33406-400-0	CF RES 330K J 1/8W T
R16	000-51106-400-0	CF RES. 510 J 1/8W T
R17	000-10406-400-0	CF RES. 100K J 1/8W T
R2	000-22706-400-0	CF RES 2.2 J 1/8W T
R3.4.11.12.15.35	000-10206-400-0	CF RES. 1K J 1/8W T
R37	000-47306-400-0	CF RES 4.7 J 1/8W T
R38	000-33206-400-0	CF RES. 3K3 J 1/8W T
R39.40	000-22406-400-0	CF RES. 220K J 1/8W T
R5.6.8.10	000-22206-400-0	CF RES. 2K2 J 1/8W T
R55.56	000-47206-400-0	CF RES 4.7K J 1/8W T
R57	000-56126-400-0	CF RES. 560 J 0.25W T
R62	000-33106-400-0	CF RES. 330 J 1/8W T
R65	000-10006-400-0	CF RES. 10 J 1/8W T
R66	000-22106-400-0	CF RES. 220 J 1/8W T
R7.9	000-22306-400-0	CF RES. 22K J 1/8W T
RP1	017-08090-010-0	NETWORK RES. A8-332 J 9P 3.3K

EFFECT PROCESSOR PCB-PART LIST

Ref.	Phonic	Specifications
U1	177-04022-000-0	IC AK4522A-VF VSOP AKM
U10	171-00000-310-0	CMOS IC HD74HC74P HITACHI
U11	170-00007-000-0	TTL IC 74HC393 SMD
U12	171-00000-220-0	CMOS IC HD74HC04N (SMT)
U2	177-01004-700-0	IC BS62LV1024SC-70 SOP BSI
U3	177-04013-000-0	CHIP ART FX DSP2 84P JAPAN 100-1365-102
U4	177-01003-510-0	IC M27C512-12 SINGAPORE WINBOND
U5	171-00002-900-0	CMOS IC PC74HC374P
U5	211-11282-001-0	IC/S 28P 17*35MM
U6	171-00002-800-0	CMOS IC PC74HC30P
U8	177-02000-301-0	GAL IC 16V8D-15 LP LATTICE
U8	211-11202-002-0	IC/S 20P 9.8*25MM
U9	171-00003-500-0	CMOS IC 74HC14 HITACHI
X1	300-24572-000-0	CRYSTAL HC-49/U 24.576MHZ

OUTPUT PCB-PART LIST

Ref.	Phonic	Specifications
	210-02101-030-0	PSH/SW PA-03S-A1
	290-61082-300-0	POD1082 JACK PCB D+E
C1A	058-68325-100-0	MEX-683K 0.068MF/250V 18*13.5 P=15
F1*2	281-00000-060-0	FUSE CLIP CQ-218-A
JK1-5	211-01601-300-0	6D3/J M203A-2
SPEAK OUT	212-10041-110-0	4P WAFER/P200MM UL1015#22 4MM

POWER AMPLIFIER & POWER SUPPLY PCB-PART LIST

Ref.	Phonic	Specifications
	290-61062-000-0	PCB POD1062-E AMP
	313-00000-000-0	TRANSISTOR WASHER TO-220
	321-00000-000-0	CABLE TIE HW-80M
	382-20005-010-0	TINNER WIRE 5.0MM D0.6
	382-20007-510-0	TINNER WIRE 7.5MM D0.6
	382-20010-010-0	TINNER WIRE 10MM D0.6
	382-20012-510-0	TINNER WIRE 12.5MM D0.6
	382-20015-010-0	TINNER WIRE 15MM D0.6
	526-60053-011-0	HEAT SINK POD1062/1082
	615-60044-630-0	BOSS L=6.0
C1.2	030-47878-000-0	E/C 4700MF Z 80V 31*35 P
C12.13.15.24.24A.39.39A .43.43A	030-10728-0A0-0	E/C 100MF Z 16V 6*11 T
C14	042-47124-050-0	C/C2 470PF J 50V 5 T
C16.17	030-33789-000-0	E/C 330MF B 100V 16*25 P
C18	042-10425-050-0	C/C2 0.1MF K 50V 5 T
C19.19A	032-10636-0A0-0	NP E/C 10MF M 25V 6.3*11 T
C20.20A	042-18044-050-0	C/C2 18PF J 100V 5 T
C21.21A.22.22A	030-10736-0A0-0	E/C 100MF M 25V 8*11 T
C23.23A	042-22124-050-0	C/C2 220PF J 50V 5 T
C25.25A.27.27A	042-101A6-050-0	C/C2 100PF M 250V 5 T
C26.26A.48.48A	046-10204-060-0	M/C 0.001MF J 50V 5 T
C28.28A.29.29A	030-47686-0A0-0	E/C 47MF M 100V 10*17 T
C3.4	030-33866-030-0	E/C 3300UF M 63V 25*30 P
C30.30A	030-10638-0A0-0	E/C 10MF Z 25V 5*11 T
C31.31A.36.36A.42.42A. 47.47A	046-10414-060-0	M/C 0.1MF J 100V 5 T
C32.32A.35.35A	042-471A5-050-0	C/C2 470P K 250V 5T
C33.33A.34.34A	046-10405-060-0	M/C 0.1MF K 50V T
C37.37A	042-20124-050-0	C/C2 200PF J 50V 5 T
C38.38A	042-391A4-050-0	C/C2 390PF J 250V 5 T
C41.41A	046-68314-060-0	M/C 0.068MF J 100V T
C44.44A.45.45A	042-10124-050-0	C/C2 100PF J 50V T
C46.46A	042-03020-000-0	C/C2 3PF C 50V 5
C5.6	030-10846-000-0	E/C 1000MF M 35V 10*21 T

POWER AMPLIFIER & POWER SUPPLY PCB-PART LIST

Ref.	Phonic	Specifications
C7.11	030-10768-0A0-0	E/C 100MF Z 63V 10*17 T
C8.9.10	030-10656-0A0-0	E/C 10MF M 50V 5*11 T
CN1	211-10044-040-0	4P WAFER/S A3963WV2-4P
CN102	211-10161-030-0	16P WAFER/S A2501WV2-16P
CN2	211-10021-161-0	2P WAFER/S TJC3-2A P=2.5MM 180DEGREE
CN5A	211-10084-020-0	8P WAFER/S 396108 180 P=3.96MM
CNP2.3	211-10021-150-0	2P WAFER/S 5267 A2505 WV P=2.5MM 180DEGREE
CP18	030-47628-0A0-0	E/C 47MF Z 16V 5*11 T
CP19	030-47658-0A0-0	E/C 47MF Z 50V 8*11 T
D+5V_D+5V	379-02201-120-0	M.WIRE UL1007 #24 200MM RED
D1	090-10008-100-0	B/DIODE KBPC 3506W
D18.18A.22.22A	090-02005-000-0	DIODE FR107 MOTOROLA
D20.20A.24.24A	090-00017-000-0	DIODE LT6A04
D2A.2B	090-10009-000-0	B/DIODE PBU805
D3.5.10.16.16A.17.17A.2 5.25A.26.26A.28.29.30.3 1	090-00007-020-0	DIODE IN4004 SILTEK T
D4.27.27A	090-10000-000-0	B/DIODE PB154
D6.7.8.9.12.12A.13.13A.1 4.14A.15.15A.19. 19A. 21.21A.23.23A	090-02000-020-0	DIODE 1N4148 T
F2*2.F3*2	281-00000-020-0	FUSE CLIP FH-1206
FIXEDPCB&HEAT SINK*8	590-43006-100-0	M/E PAN SCR. M3.0*6 NI
FIXEDTERMINAL*23 FIXED THERMAL SWITCH *2 RTP01	610-60300-700-0	PAN SPR WAS. D3.0*6.0*0.7ZN
GND-GND	379-02151-102-0	M.WIRE UL1007 #24 150MM BLK
HEAT SINK	210-10090-001-0	TMP/SW US-602SXRFC
HEAT SINK&TERMINAL*14 SW*2 RTP01	590-43008-100-0	M/E PAN SCR. M3.0*8 NI

POWER AMPLIFIER & POWER SUPPLY PCB-PART LIST

Ref.	Phonic	Specifications
IC1	160-00004-114-0	IC UPC7805H NEC
IC2	160-00005-909-0	IC 7815
IC3	160-00002-909-0	IC 7915
IC5.5A	160-00021-900-0	IC NJM5534D JRC
JP2	212-10023-250-0	2P WAFER/P 200mmUL1007#22 P=2.5MM
KP1	076-02422-010-0	RELAY OSA-SH-224DM3M
L1.1A	075-10082-100-0	INDUCTANCE 1UH K M
Q1	122-00000-200-0	FET 2SK30A-GR TOSHIBA
Q2 JE340	526-20001-110-0	HEAT SINK BLK 19*13*12 L=19MM
Q2 JE340	600-00302-210-0	HEX. NUT M3.0*2.2 NI
Q2.TR5.5A	120-00005-000-0	TRAN MJE340 MOTOROLA
Q3.4.5.10.11	120-00000-800-0	TRAN. 2SC1815 GR TOSHIBA
Q6.7.7A.8.8A.9.9A	121-00000-200-0	TRAN. 2SA1015 GR TOSHIBA
QP08.TR4.4A	120-00008-800-0	TRAN MJE802 MOTOROLA
R1.2	000-18336-400-0	CF RES. 18K J 1/2W
R13.16	000-68226-400-0	CF RES. 6K8 J 0.25W T
R17.18.19	000-22426-400-0	CF RES. 220K J 0.25W T
R20	000-68326-400-0	CF RES. 68K J 0.25W T
R21.41.41A.42.42A.43.43 A.48.48A.50.50A.59.30.3 12.52A	000-22226-400-0	CF RES. 2K2 J 0.25W T
R23	000-12326-400-0	CF RES. 12K J 0.25W T
R24.24A	000-10026-400-0	CF RES. 10 J 0.25W T
R25.25A.28.28A.58.58A. 64.64A.66.66A	000-10326-400-0	CF RES. 10K J 0.25W T
R29.29A.30.30A	000-10426-400-0	CF RES. 100K J 0.25W T
R3	000-39336-400-0	CF RES 39K J 0.5W T
R31.31A.33.33A.37.37A	000-68026-400-0	CF RES. 68 J 0.25W T
R32.32A.35.35A.36.36A	000-82126-400-0	CF RES. 820 J 0.25W T
R34.34A.57.57A.73.73A. 74.74A	000-10226-400-0	CF RES. 1K J 0.25W T
R38.38A.39.39A	000-47736-400-0	CF RES.4.7 1/2WT

POWER AMPLIFIER & POWER SUPPLY PCB-PART LIST

Ref.	Phonic	Specifications
R4.11.12.14.15.26.26A.2 7.27A	000-39226-400-0	CF RES. 3K9 J 0.25W T
R40.40A.53.53A	000-33026-400-0	CF RES. 33 J 0.25W T
R44.44A.51.51A	000-10136-400-0	CF RES. 100 J 0.5W T
R45.45A.47.47A	000-20326-400-0	CF RES. 20K J 0.25W T
R46.46A.49.49A	003-10093-600-0	CE MENT 0.1 5W J
R5	000-15226-400-0	CF RES. 1K5 J 0.25W T
R54.54A.67.67A	000-15336-400-0	CF RES. 15K J 0.5W T
R55.55A.56.56A.60.60A	000-51026-400-0	CF RES. 51 J 0.25W T
R6.65.65A	000-33126-400-0	CF RES. 330 J 0.25W T
R61.61A	000-27426-400-0	CF RES. 270K J 0.25W T
R62.62A	003-10071-600-0	CEMENT RES. 10 J 2W AL
R63.63A	000-33326-400-0	CF RES. 33K J 0.25W T
R68.68A	000-18326-400-0	CF RES. 18K J 0.25W T
R69.69A	000-30326-400-0	CF RES. 30K J 0.25W T
R7	000-39726-400-0	CF RES 3.9J 1/4W T
R71.71A	006-53012-440-0	MF RES. 5.3K F 0.25W T
R72.72A	000-13426-400-0	CF RES. 130K J 0.25W T
R75	000-24236-400-0	CF RES 2.4KJ 1/2W T
R8.22	000-10126-400-0	CF RES. 100 J 0.25W T
R9.10	003-10073-601-0	CEMENT RES. 10 J 5W U
RP22	000-12126-400-0	CF RES. 120 J 0.25W T
RTP01	011-10020-001-0	THERMISTER NSA05C310-301
TERMINAL*8 Q2*1	590-43012-100-0	M/E PAN SCR. M3.0*12 NI
TR1.1A	120-00001-400-0	TRAN. 2N5551 MOTOROLA
TR10.10A.13.13A	122-00002-400-0	MOSFET RFP 50N06
TR10.10A.13.13A.IC1.2.3	314-00000-050-0	BUSHES 602S(V.0) 180DEGREE
TR10.10A.13.13A.IC1.2.3	610-00300-501-0	PLA. WAS. D3.0*D7.0*0.5 NI
TR11.11A	120-00009-400-0	TRAN 2SC3264-Y
TR12.12A	121-00007-000-0	TRAN 2SA1295-Y
TR2.2A	121-00000-300-0	TRAN. 2N5401 MOTOROLA
TR3.3A	121-00006-100-0	TRAN MJE350 MOTOROLA
TR6.6A	120-00009-700-0	TRAN. BC546B PHILIPS
TR7.7A	121-00007-500-0	TRAN. BC556B PHILIPS

POWER AMPLIFIER & POWER SUPPLY PCB-PART LIST

Ref.	Phonic	Specifications
TR8.8A	120-00009-500-0	TRAN 2SC4793-M TOSHIBA
TR9.9A	121-00007-200-0	TRAN 2SA1837-M TOSHIBA
VR1.1A	020-47138-000-6	T/VR 470J T-085C-B470 0.5W
ZD1	090-01513-110-0	Z/D10DE 51V 1W MOTOROLA
ZD10.10A	090-01752-010-0	ZEN/DIODE 7V5 K 0.5W FAIRCH
ZD2	090-01223-000-0	Z/DIODE 22V 0.5W IN5251B
ZD3.5	090-01273-010-0	ZEN/DIODE 27V K 0.5W
ZD4.7.7A.8.8A	090-01682-000-0	ZEN/DIODE 6.8V J0.5W UNIZO
ZD9.9A	090-01472-000-0	Z/DIODE 4.7V J 0.5W FAIRC

CHANNEL 7-8 & MASTER PCB- PART LIST

Ref.	Phonic	Specifications
	037-22535-061-0	T/C 2.2MF K 16V T 5
	160-00018-000-0	IC NJM4556AL JRC
	290-61062-200-0	POD1062X MASTER PCB
	321-00000-070-0	CABLE TIE HW-100MM
ALL LED*39	615-20092-620-0	LED HOUSING LED3-13
BP1	212-10200-030-0	20P WAFER/P 120MM
C701.801	030-47666-0A0-0	E/C 47MF M 63V T
C702.703.802.803	033-10664-0A0-0	LN E/C 10MF J 63V T 6*11
C704-707.804-807.907.9 07A.907B	042-47124-050-0	C/C2 470PF J 50V 5 T
C708.808	030-47718-0A0-0	E/C 470MF Z 10V 8*11 T
C709.710.711.717.717A. 722.722A.809.810.811.81 7.817A.822.822A.948.97 0.970A	042-10124-050-0	C/C2 100PF J 50V T
C712.720.721.724.724A. 735.812.820.821.824.824 A.835.911.A.B,916.A.B,9 17.A.B,936	030-10638-0A0-0	E/C 10MF Z 25V 5*11 T
C713.713A.813.813A.715 .715A.815.815A	046-15304-060-0	M/C 0.015MF J 50V 5 T
C714.714A.814.814A	046-12304-060-0	M/C 0.012MF J 50V 5 T
C716.716A.816.816A	046-56204-060-0	M/C 0.0056MF J 50V T
C718.718A.818.818A	042-27025-050-0	C/C 27PF K 50V T
C719.719A.819.819A.905 .905A.906.906A.906 B.914.914A.914B,915.91 5A.950.973.973A	030-47638-0A0-0	E/C 47MF Z 25V 6.3*11 T
C723.723A.823.823A.992	042-47024-050-0	C/C2 47PF J 50V 5 T
C725.726.728-731.828-8 31.944.945.952.953.954	046-10304-060-0	M/C 0.01MF J 50V 5 T
C727.827	042-10225-050-0	C/C2 0.001MF K 50V 5 T
C901.A.B,910.A.B,942.95 6.956A.958.A.B,959.959 A.974.A.B,982.A	030-22638-0A0-0	E/C 22MF Z 25V 5*11 T
C902.902A.902B.938.938 A.943	042-10025-050-0	C/C2 10PF K 50V 5 T

CHANNEL 7-8 & MASTER PCB-PART LIST

Ref.	Phonic	Specifications
C903.903A.903B.904.904 A.904B.919.920.939.940. 965.966.971.972.978.979	042-10325-050-0	C/C2 0.01MF K 50V T
C908.908A.908B.909.909 A.909B.993.BC10	042-10426-050-0	C/C2 0.1MF M 50V 5 T
C912.912A.912B.969.969 A	042-33125-050-0	C/C2 330PF K 50V T
C913.913A.913B.949	042-68024-050-0	C/C2 68PF J 50V 5 T
C915B.936A.941.941A,9 46.947.961.961A.962 .96 2A.976.976A.976B.991	030-10638-0A0-1	
C922.922A.922B.931.931 A.931B	040-12425-160-6	ML/C 0.12MF K 50V 5 T
C924.924A.924B	040-27325-160-0	ML/C 0.027MF K 50V 5 T
C926.926A.926B	040-10325-150-0	ML/C 0.01MF K 50V M 5 AL T
C927.927A.927B	040-82426-140-0	ML/C 0.82MF M 50V 5 T
C928.928A.928B	046-27204-060-0	M/C 0.0027MF J 50V 5 T
C929.929A.929B	040-33426-100-0	ML/C 0.33MF M 50V P 5 T
C930.930A.930B	046-12204-060-0	M/C 0.0012MF J 50V 5 T
C932.932A.932B	042-56124-050-0	C/C2 560PF J 50V 5 T
C933.933A.933B	040-39325-160-0	ML/C 0.039UF K 50V 5 T
C934.934A.934B	042-27125-050-0	C/C2 270PF K 50V 5 T
C935.935A.935B	040-15325-100-0	ML/C 0.015MF K 50V P 5 T
C937.937A	042-22124-050-0	C/C2 220PF J 50V 5 T
C951	046-22204-060-0	M/C 0.0022MF J 50V 5 T
C957.957A	046-33204-060-0	M/C 0.0033MF J 50V 5 T
C960.960A.963.963A	042-22024-050-0	C/C2 22PF J 50V 5 T
C964.964A.967.968	030-10728-0A0-0	E/C 100MF Z 16V 6*11 T
C975.975A.975B.977.977 A.977B	030-10736-0A0-0	E/C 100MF M 25V 8*11 T
C983.984	046-39204-060-0	M/C 0.0039MF J 50V 5 T
CDS901.902	010-00001-010-0	CDS P873-G35-552 HAMAMATSU
CN101	211-10110-000-0	11P WAFER/S A2001WV2-11P
D701.701A.702.702A.801 .801A.802.802A	090-02000-020-0	DIODE 1N4148 T

CHANNEL 7-8 & MASTER PCB-PART LIST

Ref.	Phonic	Specifications
IC107-111.901.902.903.9 06.907.909-912.914	160-00007-510-0	IC NJM2068L JRC
IC904.905.908	160-00002-300-0	IC M5229P MITSUBISHI
IC915.916.917	160-00019-100-0	IC BA6137
JK701.801	211-03300-160-6	XLR/J SKCA229-1K3F2
JK702.703.802.803.901.9 02.904-907	211-01601-240-0	6D3/J JY-6351-02-130 SCJ-0658
JK903	211-00041-100-0	4P RCA/J RL-1414-4D
JK908	211-01602-560-0	6D4/J YLJ-6405-300 (NUT&WASHER)
JK909	211-01602-380-0	6D3/J (SCJ-0658-Y)
JP102AB	212-10160-050-0	16P WAFER/P 1000mm UL1007#24 PITCH2.5
JP109	212-10023-120-0	2P WAFER/P 480MM UL1007#26
LED1-16.901.902.907.90 8.913.914	100-00050-000-0	LED BL-B2141 GRN
LED701.801.906.912.920 -922.1002	100-00010-030-0	LED BL-B5141 RED
LED903.904.905.909.910 .911.915.916.917.1001	100-00040-000-0	LED 204YD YLW
LED919	100-00070-030-0	LED 204UBD D3 BLUE
Q701.702.801.802	120-00001-010-0	TRAN 2SC2240-BL TOSHIBA
Q705.805.901.901A	120-00000-800-0	TRAN. 2SC1815 GR TOSHIBA
R23-26.952.952A.953.95 4	000-10126-400-0	CF RES. 100 J 0.25W T
R49.752.852.945.945A.9 46.946A.963.963A.963B. 915B.939.974.975	000-10206-400-0	CF RES. 1K J 1/8W T
R67-70.726.726A.729.72 9A.826.826A.911.911A.B, 914	000-10306-400-0	CF RES. 10K J 1/8W T
R701.801.912.912A.B.91 8.918A.B.928.928A. 935.944.944A	000-10406-400-0	CF RES. 100K J 1/8W T
R702.703.802.803	006-68010-440-0	MF RES 6K8 F 1/8W T
R704.804	000-39126-400-0	CF RES. 390 J 0.25W T

CHANNEL 7-8 & MASTER PCB-PART LIST

Ref.	Phonic	Specifications
R705.805.970.970A	000-47206-400-0	CF RES 4.7K J 1/8W T
R706.707.710.711.728.72 8A.806.807.810.811.828. 828A	000-10006-400-0	CF RES. 10 J 1/8W T
R708.709.808.809	006-47010-440-0	MF RES 4K7 F 1/8W T
R712.812	000-15106-400-0	CF RES.150J 1/8W T
R713.713A.738.738A.813 .813A.838.838A.925 T.925A.931.950.950A	000-18306-400-0	CF RES. 18K J 1/8W
R714.715.814.815	006-82010-440-0	MF RES 8K2 F 1/8W T
R716.717.816.817	006-22010-440-0	MF RES 2K2 F 1/8W T
R718.719.818.819	006-10020-440-0	MF RES 10K F 1/8W T
R720.720A.721.721A.820 .820A.821.821A	000-68206-400-0	CF RES. 6K8 J 1/8W T
R722.722A.723.723A.822 .822A.823.823A.913 .913 A.913B.936	000-56106-400-0	CF RES. 560 J 1/8W T
R724.724A.725.725A.824 .824A.825.825A.727.727 A.827.827A	000-27206-400-0	CF RES. 2K7 J 1/8W T
R730.730A.731.731A.830 .830A.831.831A.908.908 A.908B.901.901A.901B	000-47306-400-0	CF RES. 47K J 1/8W T
R732-735.832-835.959.9 59A	000-33306-400-0	CF RES. 33K J 1/8W T
R736.736A.836.836A.904 .904A.906.906A.906 B	000-22306-400-0	CF RES. 22K J 1/8W T
R750.750A.753.753A.850 .850A.853.853A.947.947 A.948.948A	000-68306-400-0	CF RES. 68K J 1/8W T
R751.851	000-51206-400-0	CF RES. 5K1 J 1/8W T
R902.902A.902B.929.929 A.930	000-12406-400-0	CF RES. 120K J 1/8W T
R903.903A.905.905A.B.9 42.943	000-22206-400-0	CF RES. 2K2 J 1/8W T
R907.907A.907B.937.938 .956.956A.957.957A	000-33206-400-0	CF RES. 3K3 J 1/8W T

CHANNEL 7-8 & MASTER PCB-PART LIST

Ref.	Phonic	Specifications
R909.909A.909B.932	000-22106-400-0	CF RES. 220 J 1/8W T
R910.910A.910B.933	000-43206-400-0	CF RES. 4K3 J 1/8W T
R914A.829.829A.737.737 A.837.837A.977.978.914 B.	000-10306-400-2	
R916.916A.B,934.940.95 5.955A.961.961A.962.96 2A.B,964.964A.B.968.96 8A	000-10306-400-1	
R917.917A.917B	000-75306-400-0	CF RES 75K J 1/8W T
R923.923A.949.949A	000-36306-400-0	CF RES. 36K J 1/8W T
R924.924A	000-39306-400-0	CF RES. 39K J 1/8W T
R926.926A	000-12306-400-0	CF RES. 12K J 1/8W T
R927.927A	000-22406-400-0	CF RES. 220K J 1/8W T
R941	382-20005-010-0	TINNER WIRE 5.0MM D0.6
R951.951A	000-56306-400-0	CF RES.56K J 1/8W T
R958.958A	000-27306-400-0	CF RES. 27K J 1/8W T
R960.960A.979	000-10106-400-0	CF RES. 100 J 1/8W T
R965.965A.965B	000-68126-400-0	CF RES. 680 J 0.25W T
R966.967	000-10226-400-0	CF RES. 1K J 0.25W T
R969.969A	000-12206-400-0	CF RES. 1K2 J 1/8W T
SW901	210-01203-020-0	SLD/SW 2P3T 180DEGREE H=19MM
SW902	210-01202-120-0	SLD/SW 2P2T 180DEGREE H=19MM
SW903	210-02201-440-0	PSH/SW 2P2T SFPC12MC03-PF
SW905	210-16000-000-0	ENCODER SDB161PVB20F-1-4-16PC
SW906	210-01402-020-0	SLD/SW 4P2T 180DEGREE H=19MM
U7	177-02000-301-0	GAL IC 16V8D-15 LP LATTICE
U7	211-11202-002-0	IC/S 20P 9.8*25MM
VR701.702.703.706.801. 802.803.806	023-50350-001-0	D.ROT/VR 50KB(C.C) 30MM P

CHANNEL 7-8 & MASTER PCB- PART LIST

Ref.	Phonic	Specifications
VR704.707.804.807.902- 904.922	023-20350-001-0	D.ROT/VR 20KA 30MM P
VR705.805.901	023-20350-010-0	D.ROT/VR 20KB 30MM P
VR905-911.914-920	027-20372-010-0	D.SLD/VR 20KW*2 20MM P
VR912.921	022-20350-010-0	S.ROT/VR 20KB 30MM P
VR913	022-20350-001-0	S.ROT/VR 20KA L=30MM F=12MM

MISCELLANEOUS ITEMS

Ref.	Phonic	Specifications
	070-60098-800-0	X'MER 115/230V (POD1062)
	347-00000-240-0	FAN SP601012M
	510-61350-100-0	FRONT PANEL POD1062X SECC1.2 429C+432C
	511-60350-500-0	BACK PANEL POD1062X SECC 1.0 429C+432C
	528-20012-100-0	FAN NET 6G-60 POWERPOD1060
	551-20043-400-0	RT BRKT POWERPOD7/ 615/1060/740/PX700DLX
	551-20045-400-0	BRKT POWERPOD7
	551-20056-400-0	FAN BRKT. POWERPOD1060
	551-60056-000-0	FRONT LF BRKT
	551-60057-000-0	BACK LF BRKT
	552-20049-400-0	X'MER FIXED POWERPOD1060
	553-20009-480-0	PCB SHIELD PLATE SIZE:402*105*0.5
	553-20010-490-0	PCB SHIELD PLATE SIZE:408*109.5*0.5
	560-60090-000-0	CARTON SIZE:562*387*410MM A=B POD1062
	561-60340-000-0	G/B SIZE:545*370*390MM POD1062X
	568-00003-000-0	PE BAG #10 240*340*0.05
	568-20059-000-0	PE BAG POWERPOD1060 SIZE:
	572-00000-050-0	DRYER 5g
	573-60240-000-0	BAR CODE LABEL PHONIC SERIES LABEL
	573-60343-000-0	LABEL BLUE D=8mm
	574-6A144-010-0	OWN. MANU. POD740/615/1060/1062X ENG
	579-00000-068-0	MINI CATALOG PHONIC SERIES

MISCELLANEOUS ITEMS

Ref.	Phonic	Specifications
	631-10027-000-0	HEMELON 24*12
	631-20033-000-0	HEMELON 85*22
ALL 6D3/J*18	610-20901-001-0	TOOTH WAS D9*12*1 NI
ALL EQ VR*14 FOR LIMITE LED*3	631-20032-000-0	HEMELON 36*10MM
ALL P/SW*7	542-20300-121-0	P/KNOB 5.8*5.8*8 431C+WHT
BACK PANEL POWER LABEL	618-14180-662-0	SPEC FIXED PIN SR-2 WHT
DIGITAL PCB*4	615-20075-620-0	SPACE SUPPORT H-28
FIXED CABLE TIE*15	321-00000-070-0	CABLE TIE HW-100MM
FIXED CABLE TIE*4	552-20048-420-0	ADHESIVE FIXED FW-5D-3M
FIXED LUG FOR GROUND*1,BACK PANEL& BRACKET *2,BACK PANEL& L BRACKET *2,HEAT SINK&L/BRKT*2,HEAT SINK&RT BRKT*3	590-54010-200-0	M/E SET SCR. M4.0*10 BLK
FIXED PCB*22	610-00300-518-0	FIBER WAS. D3*D7*0.5 RED
FIXED TRANFORMER*4	600-20402-000-0	NUT M4.0*2.0 ZN L14*W10
FIXED WASHER	610-00301-018-0	FIBER WAS. D3.0*8*1
FIXEDBOSS*3	615-20094-620-0	PCB BOSS LCB-5
FIXEDFAN*8	600-00302-010-0	HEX. NUT M3.0*2.0 NI
FIXEDFAN*8	610-00300-501-0	PLA. WAS. D3.0*D7.0*0.5 NI
FIXEDLF BRKT*4,FIXED RT BRKT*4,FIXEDRT BR KT*4,FAN & CASE*3	590-54018-200-0	M/E SET SCR. M4.0*18 BLK
FIXEDPANEL& XLR/J*16	591-03008-200-0	T/P FLT SCR. D3.0*8 BLK
FIXEDPCB&PANEL*19	615-20088-620-0	SPACER SUPPORT H-16
FIXEDTRANSFORMER & CASE*4	590-54030-200-0	M/E SET SCR. M4.0*30 BLK
FOAMER	566-10015-010-0	SPONGE 40*10*5
FOR FAN TO FAN BRACKET*8	590-03020-200-0	M/E FLT SCR M3*20 BLACK
FOR HIGH/LOW/MID*8	540-60148-720-0	R/KNOB12 430C(GEY)BODY +647C(BLUE)CAP

MISCELLANEOUS ITEMS

Ref.	Phonic	Specifications
FOR LED*11	631-20029-000-0	HEMELON 10*10
FOR LEVEL*8	540-60148-420-0	R/KNOB 12 WHT BODY+430C(GREY) CAP
FOR MASTER*2 SPHONES*1 PROGRAM*1 DRIVE L EVEL*1	540-60148-620-0	R/KNOB12 430C(GEY)BODY+491C(RED) CAP
FOR MON/EFX*8 EFFECT RTN*2 AUX IN*1 TAPE IN*1	540-60148-520-0	R/KNOB 12.0 430C(GREY)BODY+WHT CAP
FOR PAN*8	540-60148-920-0	R/KNOB12 430C(GRAY)BODY +432C(DEEP GRAY)CAP
FOR RCA JACK GND	591-53008-100-0 610-60401-001-0	T/P SET SCR. D3.0*8 NI PAN SPR. WAS. D4*7.6*1.0 NI
LABEL LABEL ON FAN	573-10124-010-0 573-60162-000-0	GND LABEL MAR2 FAN BLACK LABEL,D=22MM
LUG FOR GROUND*1 LUG FOR GROUND*1 LUG FOR GROUND*1	315-00000-000-0 600-00403-510-0 610-30400-500-0	LUG D4 FOR GROUND HEX. NUT M4.0*3.5 NI TOOTH WAS. D4.0*D8.5*0.5 ZN
P/SW*2 PANEL & BOSS*10	590-43006-200-0 590-03008-200-0	M/E PAN SCR. M3.0*6 BLK M/E FLT SCR. M3.0*8 BLK D=6
PANEL&TR BRKT*6 PCB*27	590-54010-100-0 590-53008-100-0	M/E SET SCR. M4*10 NI M/E SET SCR. M3.0*8 NI
POWER SW*2 POWER/SW*1	615-20023-630-0 542-20150-120-0	BOSS 15+5 P/KNOB 13.5*10.5*10.5H BLK
R PANEL & BOSS*9 R/DOWN*1, R/UP*1, L/DOWN*1,L/UP*1	590-03008-100-0 562-24190-000-0	M/E FLT SCR. M3.0*8 NI PULP PANEL 1032*581MM
WASHER	610-00401-202-0	PLA. WAS. D4.0*D12.0*1.0 BLK
	S01-37000-100-0	POD1062X PHONIC MATERIAL
	510-61350-100-F	PANEL POD1062X SECC1.2
	511-60350-100-F	BACK PANEL POD1062 SECC 1.0

POWER REQUIREMENT CLASSIFICATION

Ref.	Phonic	Specifications
<u>JIS</u>		
	307-00000-000-0	CORD CONNECTOR HW-C4
	370-24610-602-0	P/CORD 100V 12A 2.5M 1MM/2P JIS
	524-70001-020-7	HANDLE 210mm
	525-70000-010-7	FEET D25*D20*16T BLK POD408
	527-11000-000-0	STR.REL BUSHING 6W3-4 R (6N3-4)
	552-70000-200-7	FIXED HANDLE
	600-70000-040-7	NUT M4
	600-70001-000-7	NUT M5 WHT
	636-70007-101-7	VINYL 2*50m BLK
	637-70000-000-7	BOX CONTER
	700-01800-000-7	PLANKING 4*8*18MM
	710-70000-000-7	GLUE PT-3670
	710-70001-010-7	GLUE
	711-73000-000-7	NAIL F30
	712-70000-530-7	PAINT
	714-70000-000-7	THINNER
	W01-32015-110-0	WOOD CASE POD1060/1062(HANDLE,BOX CONTER, FEET)
CONTER*16	592-23012-200-0	W/O BID SCR. M3.0*12 BLK
F1	280-10366-000-0	FUSE T10A UL/CSA S 5*20
F2.3	280-2026B-001-0	FUSE 2A 250V UL/CSA/JIS S
FEET*4	593-44020-200-7	W/O PAN SCR. D4.0*20 BLK
HANDLE*2	590-25024-200-7	M/E BID SCR. M5*24 BLK
<u>UL</u>		
	307-00000-000-0	CORD CONNECTOR HW-C4
	370-08010-733-0	P/CORD 125V10A 2.5M 1MM/3P UL/CSA
	524-70001-020-7	HANDLE 210mm
	525-70000-010-7	FEET D25*D20*16T BLK POD408
	527-11000-000-0	STR.REL BUSHING 6W3-4 R (6N3-4)

POWER REQUIREMENT CLASSIFICATION

Ref.	Phonic	Specifications
	552-70000-200-7	FIXED HANDLE
	600-70000-040-7	NUT M4
	600-70001-000-7	NUT M5 WHT
	636-70007-101-7	VINYL 2*50m BLK
	637-70000-000-7	BOX CONTER
	700-01800-000-7	PLANKING 4*8*18MM
	710-70000-000-7	GLUE PT-3670
	710-70001-010-7	GLUE
	711-73000-000-7	NAIL F30
	712-70000-530-7	PAINT
	714-70000-000-7	THINNER
	W01-32015-110-0	WOOD CASE POD1060/1062(HANDLE,BOX CONTER, FEET)
CONTER*16	592-23012-200-0	W/O BID SCR. M3.0*12 BLK
F1	280-10366-000-0	FUSE T10A UL/CSA S 5*20
F2.3	280-2026B-001-0	FUSE 2A 250V UL/CSA/JIS S
FEET*4	593-44020-200-7	W/O PAN SCR. D4.0*20 BLK
HANDLE*2	590-25024-200-7	M/E BID SCR. M5*24 BLK
<u>SA</u>		
	307-00000-000-0	CORD CONNECTOR HW-C4
	370-15020-829-0	P/CORD 15A/250V 1.0MM*3 6F 3P
	524-70001-020-7	HANDLE 210mm
	525-70000-010-7	FEET D25*D20*16T BLK POD408
	527-11000-000-0	STR.REL BUSHING 6W3-4 R (6N3-4)
	552-70000-200-7	FIXED HANDLE
	600-70000-040-7	NUT M4
	600-70001-000-7	NUT M5 WHT
	636-70007-101-7	VINYL 2*50m BLK
	637-70000-000-7	BOX CONTER
	700-01800-000-7	PLANKING 4*8*18MM
	710-70000-000-7	GLUE PT-3670

POWER REQUIREMENT CLASSIFICATION

Ref.	Phonic	Specifications
	710-70001-010-7	GLUE
	711-73000-000-7	NAIL F30
	712-70000-530-7	PAINT
	714-70000-000-7	THINNER
	W01-32015-110-0	WOOD CASE POD1060/1062 (HANDLE,BOXCONTER,FEET)
CONTER*16	592-23012-200-0	W/O BID SCR. M3.0*12 BLK
F1	280-63263-000-0	FUSE 6.3A 250V VDE/CE S
F2.3	280-20263-000-0	FUSE T2A 250V VDE S
FEET*4	593-44020-200-7	W/O PAN SCR. D4.0*20 BLK
HANDLE*2	590-25024-200-7	M/E BID SCR. M5*24 BLK
<u>BS</u>		
	307-00000-000-0	CORD CONNECTOR HW-C4
	370-26B40-439-1	P/CORD 230V 13A 2m5 BS 3P
	524-70001-020-7	HANDLE 210mm
	525-70000-010-7	FEET D25*D20*16T BLK POD408
	527-11000-000-0	STR.REL BUSHING 6W3-4 R (6N3-4)
	552-70000-200-7	FIXED HANDLE
	600-70000-040-7	NUT M4
	600-70001-000-7	NUT M5 WHT
	636-70007-101-7	VINYL 2*50m BLK
	637-70000-000-7	BOX CONTER
	700-01800-000-7	PLANKING 4*8*18MM
	710-70000-000-7	GLUE PT-3670
	710-70001-010-7	GLUE
	711-73000-000-7	NAIL F30
	712-70000-530-7	PAINT
	714-70000-000-7	THINNER
	W01-32015-110-0	WOOD CASE POD1060/1062 (HANDLE,BOXCONTER,FEET)
CONTER*16	592-23012-200-0	W/O BID SCR. M3.0*12 BLK
F1	280-63263-000-0	FUSE 6.3A 250V VDE/CE S
F2.3	280-20263-000-0	FUSE T2A 250V VDE S
FEET*4	593-44020-200-7	W/O PAN SCR. D4.0*20 BLK

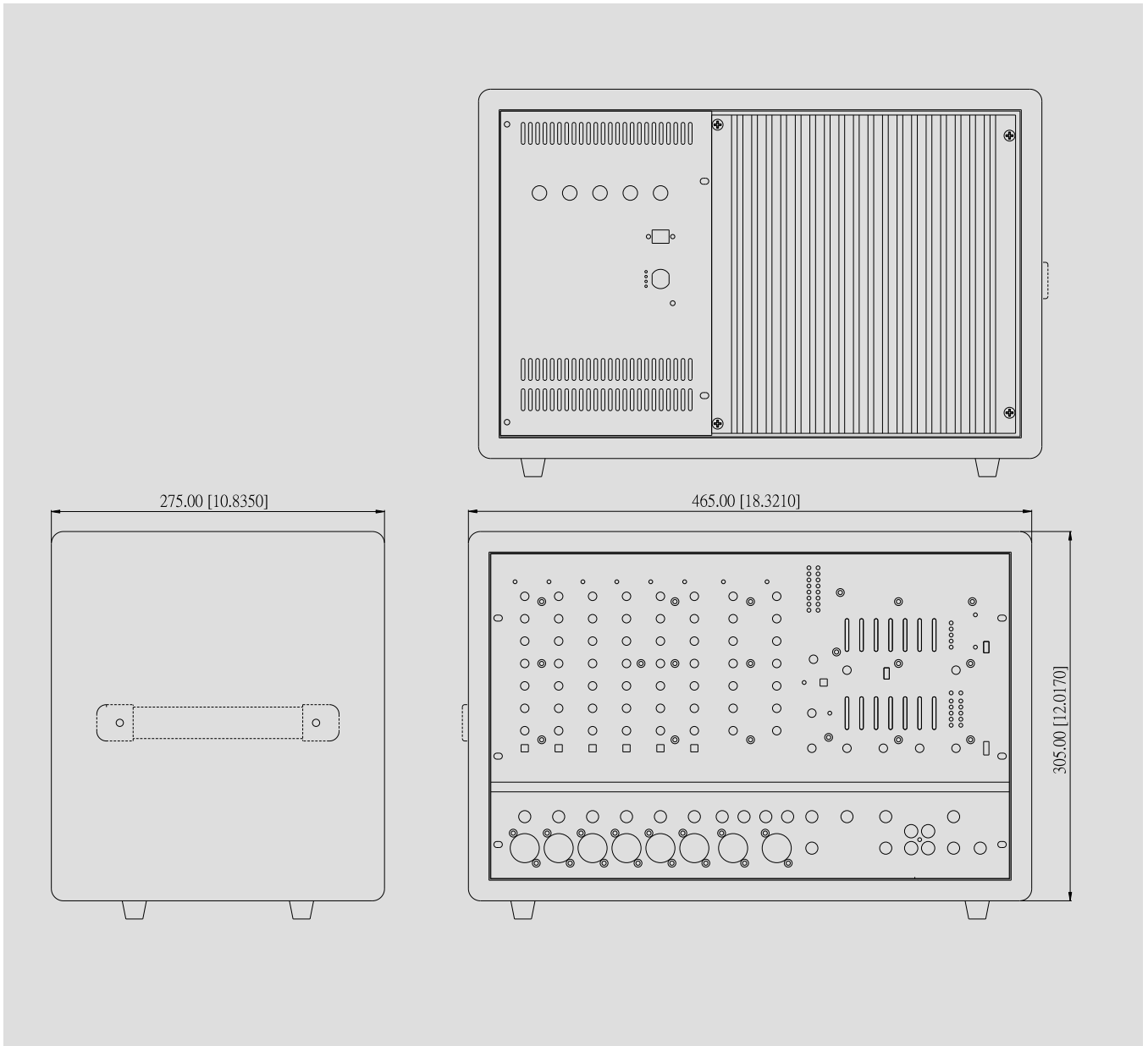
POWER REQUIREMENT CLASSIFICATION

Ref.	Phonic	Specifications
<u>SAA</u>		
	370-11310-809-0	P/CORD 240V 7.5A 6F 3P SAA
	524-70001-020-7	HANDLE 210mm
	525-70000-010-7	FEET D25*D20*16T BLK POD408
	527-11000-000-0	STR.REL BUSHING 6W3-4 R (6N3-4)
	552-70000-200-7	FIXED HANDLE
	600-70000-040-7	NUT M4
	600-70001-000-7	NUT M5 WHT
	636-70007-101-7	VINYL 2*50m BLK
	637-70000-000-7	BOX CONTER
	700-01800-000-7	PLANKING 4*8*18MM
	710-70000-000-7	GLUE PT-3670
	710-70001-010-7	GLUE
	711-73000-000-7	NAIL F30
	712-70000-530-7	PAINT
	714-70000-000-7	THINNER
	W01-32015-110-0	WOOD CASE POD1060/1062 (HANDLE,BOXCONTER,FEET)
CONTER*16	592-23012-200-0	W/O BID SCR. M3.0*12 BLK
F1	280-63263-000-0	FUSE 6.3A 250V VDE/CE S
F2.3	280-20263-000-0	FUSE T2A 250V VDE S
FEET*4	593-44020-200-7	W/O PAN SCR. D4.0*20 BLK
HANDLE*2	590-25024-200-7	M/E BID SCR. M5*24 BLK
<u>IEC</u>		
	370-23060-939-0	P/CORD 10/16A250V 2.5M2P CE
	524-70001-020-7	HANDLE 210mm
	525-70000-010-7	FEET D25*D20*16T BLK POD408
	527-11000-000-0	STR.REL BUSHING 6W3-4 R (6N3-4)
	552-70000-200-7	FIXED HANDLE
	600-70000-040-7	NUT M4
	600-70001-000-7	NUT M5 WHT

POWER REQUIREMENT CLASSIFICATION

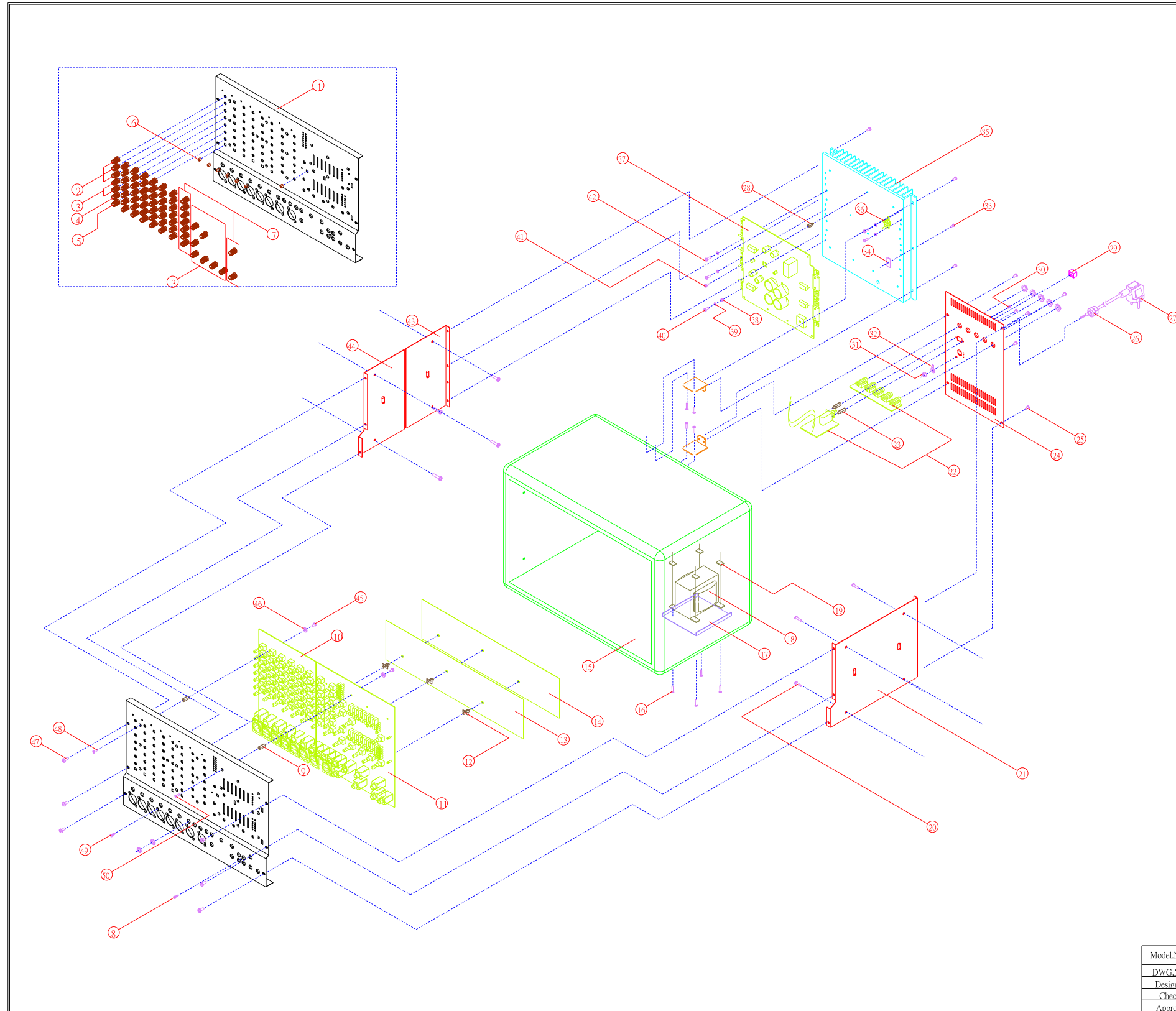
Ref.	Phonic	Specifications
	636-70007-101-7	VINYL 2*50m BLK
	637-70000-000-7	BOX CONTER
	700-01800-000-7	PLANKING 4*8*18MM
	710-70000-000-7	GLUE PT-3670
	710-70001-010-7	GLUE
	711-73000-000-7	NAIL F30
	712-70000-530-7	PAINT
	714-70000-000-7	THINNER
	W01-32015-110-0	WOOD CASE POD1060/1062(HANDLE, BOX CONTER, FEET)
CONTER*16	592-23012-200-0	W/O BID SCR. M3.0*12 BLK
F1	280-63263-000-0	FUSE 6.3A 250V VDE/CE S
F2.3	280-20263-000-0	FUSE T2A 250V VDE S
FEET*4	593-44020-200-7	W/O PAN SCR. D4.0*20 BLK
HANDLE*2	590-25024-200-7	M/E BID SCR. M5*24 BLK
X'MER WIRE*2	307-00000-000-0	CORD CONNECTOR HW-C4

DIMENSIONS



Measurement are shown in mm / inch

EXPLODED VIEW



No	PART NO	Title	QTY
50	591-53008-100-0	D3.0*8 BLK	1
49	591-03008-200-0	D3.0*8 BLK	16
48	590-03008-200-0	M3.0*8 BLK	10
47	590-54010-100-0	M4.0*10 NI	6
46	610-00301-018-0	FIBER WAS	19
45	590-53008-100-0	M3.0*8 NI	33
44	551-60056-000-0	BRKT	1
43	551-60057-000-0	BRKT	1
42	590-53012-100-0	M3.0*12 NI	8
41	590-43006-100-0	M3.0*6 NI	8
40	590-43008-100-0	M3.0*8 NI	13
39	610-60300-700-0	PAN SPR WAS	26
38	314-00000-050-0	BUSHING	4
37	F01-57000-005-0	PCB	1
36	210-10090-001-0	TMP/SW	1
35	526-60053-012-0	HEAT SINK	1
34	600-00301-102-0	WAS	1
33	590-53010-200-0	M3.0*10 BLK	1
32	610-30400-500-0	TOOTH WAS	1
31	600-00403-510-0	NUT M3.0	1
30	590-43006-200-0	M3.0*6 BLK	2
29	542-20150-120-0	P/KNOB	1
28	615-60044-630-0	BOSS H6.0	8
27	370-23060-939-0	P/CORD	1
26	527-11000-000-0	SCR.REL BUSHING	1
25	590-54010-200-0	M4.0*10 BLK	10
24	511-20550-800-0	BACK PANEL	1
23	615-20023-630-0	BOSS 15+5	2
22	F01-57000-003-0	PCB	1
21	551-20043-400-0	RT BRKT	4
20	590-54018-200-0	M4.0*18 BLK	14
19	610-00401-202-0	PLA WAS	4
18	070-60008-810-0	X'MER	1
17	551-60055-000-0	FAN BRKT	1
16	590-54030-200-0	M4.0*30 BLK	4
15	*****	WOOD BOX	1
14	553-20009-480-0	PCB SHIELD PLATE	1
13	553-20010-490-0	PCB SHIELD PLATE	1
12	615-20094-620-0	PCB BOSS	3
11	F01-57000-002-0	PCB	1
10	F01-32000-100-0	PCB	1
9	615-20088-620-0	SPACER SUPPORT H16	19
8	591-53008-100-0	D3.0*8	1
7	540-60148-620-0	R/KNOB	6
6	542-20300-121-0	P/KNOB	7
5	540-60148-420-0	R/KNOB	8
4	540-60148-920-0	R/KNOB	8
3	540-60148-520-0	R/KNOB	19
2	540-60148-720-0	R/KNOB	24
1	510-60330-100-0	PANEL 1060X	1

ModelNO	POD1060X	Title	
DWG.NO	LJU	Material	
Designer		Mat.No	
Check		Surface Treatment	
Approve		Scale	Unit

PHONIC
WWW.PHONIC.COM