

POWERED MIXER

**POWERPOD 1840 REV.1**

# SERVICE MANUAL



**PHONIC**  
[www.phonic.com](http://www.phonic.com)

POWERED MIXER

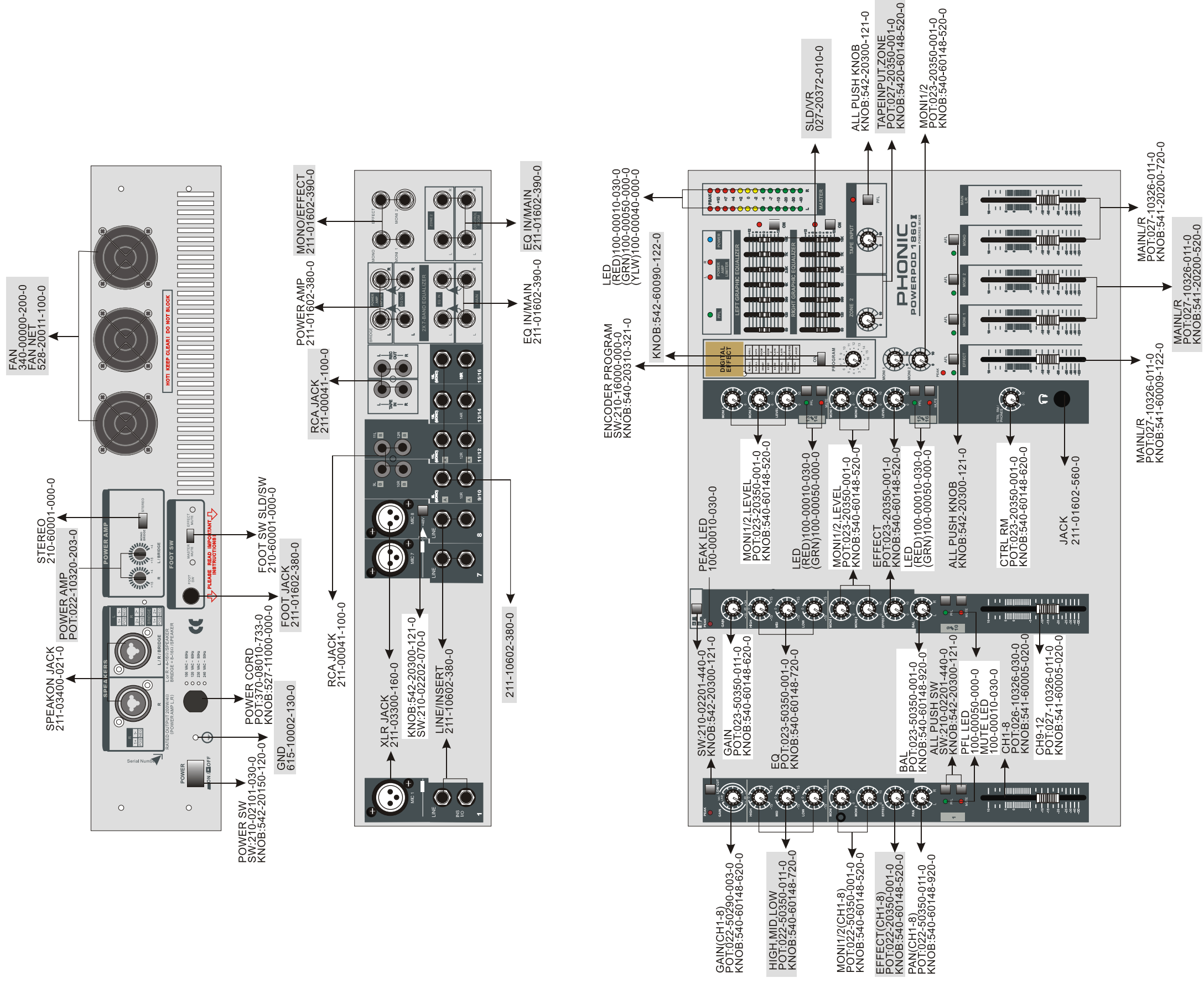
**POWERPOD 1840 REV.1****SERVICE MANUAL****CONTENTS**

<b>PANEL LAYOUT.....</b>	<b>3</b>	REAR PANEL-POWER AMPLIFIER VR & SWITCH & FOOT SWITCH SCHEMATIC.....	21
<b>SYSTEM BLOCK DIAGRAM.....</b>	<b>4</b>	EFFECT PROCESSOR DSP & DA/AD SCHEMATIC.....	22
<b>PCB</b>		MASTER LEVEL METER SCHEMATIC.....	23
CHANNEL 1-8 PCB(COMPONENT SIDE).....	5	EFFECT & LIMITER SCHEMATIC.....	24
CHANNEL1-8 PCB(SOLDERING SIDE).....	6	DUAL7-BAND GRAPHIC EQ SCHEMATIC.....	25
EFFECT PROCESSOR PCB.....	7	MASTER SECTION SCHEMATIC.....	26
CH9/10-15/16 & MASTER SECTION PCB (COMPONENT SIDE).....	8	PHONES & CONTROL ROOM SCHEMATIC.....	27
CH9/10-15/16 & MASTER SECTION PCB (SOLDERING SIDE).....	9	<b>PART LIST</b>	
POWER AMPLIFIER PCB.....	10	CHANNEL1-8 PCB-PART LIST.....	28
POWER AMPLIFIER VR & SWITCH & FOOT SWITCH PCB.....	11	CHANNEL9/10-15/16 & MASTER PCB-PART LIST.....	32
SPEAKER OUT & POWER SWITCH & EFX NAME INDICATORS HEADPHONES PCB.....	12	EFFECT PROCESSOR & SPEAKER OUT & POWER SWITCH & HEADPHONES PCB-PART LIST.....	40
<b>SCHEMATIC</b>		POWER AMPLIFIER VR & SWITCH & FOOT SWITCH PCB-PART LIST.....	42
CHANNEL1-8 IN/OUT SCHEMATIC.....	13	POWER AMPLIFIER PCB-PART LIST.....	43
CHANNEL9/10-11/12 IN/OUT SCHEMATIC.....	14	MISCELLANEOUS ITEMS.....	49
CHANNEL9/10-11/12 PREAMPLIFIER SCHEMATIC...15		POWER REQUIREMENT CLASSIFICATION.....	54
CHANNEL 13/14-15/16 IN/OUT SCHEMATIC.....	16	<b>DIMENSIONS.....</b>	<b>56</b>
TAPE IN/OUT SCHEMATIC.....	17		
EFFECT PROCESSOR DSP&IN/OUT SCHEMATIC..18			

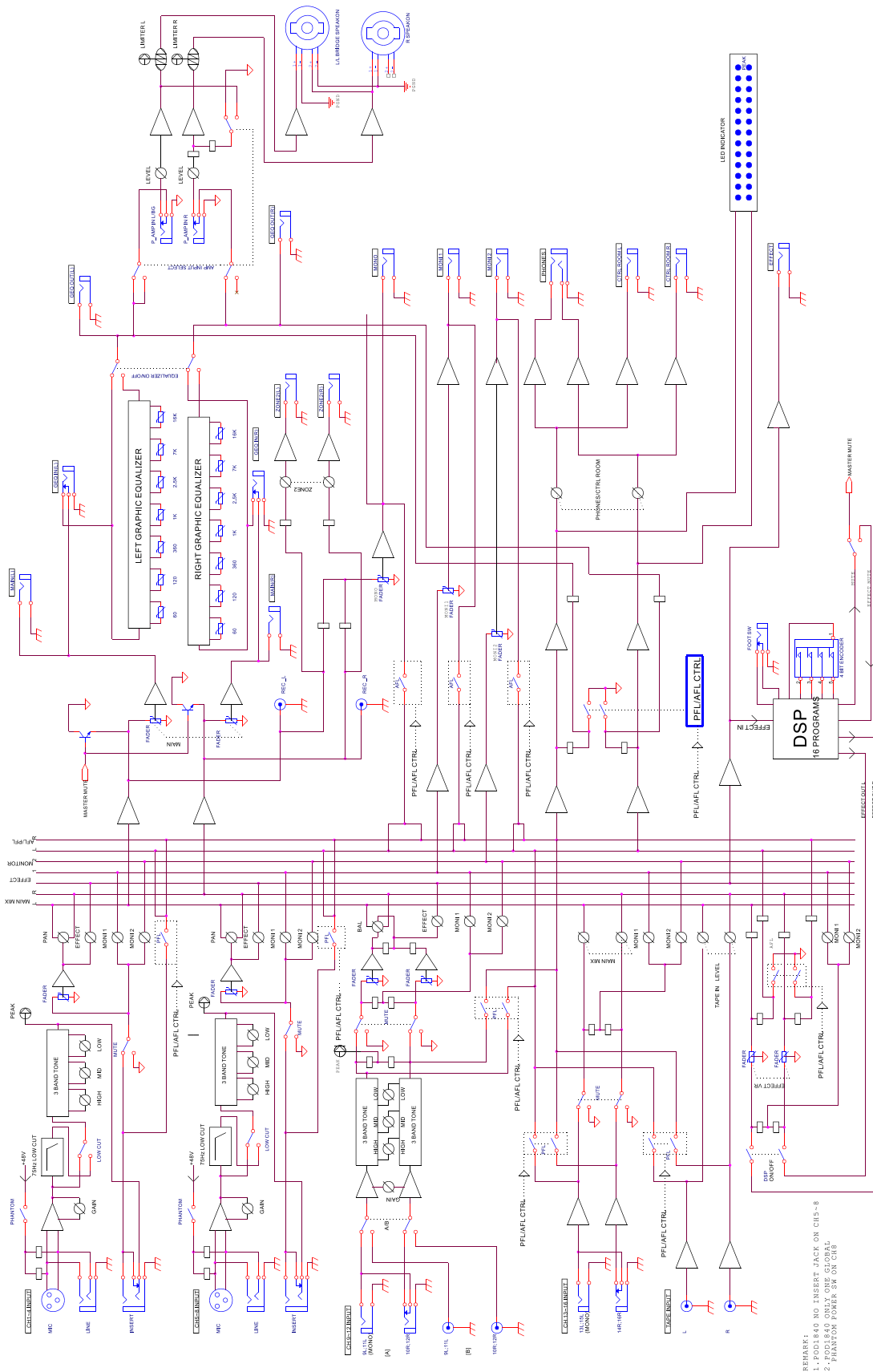
Phonic reserves the right to improve or alter any information supplied within this document without prior notice.

V2.1  
10/04/02

Powerpod1840 v1.6

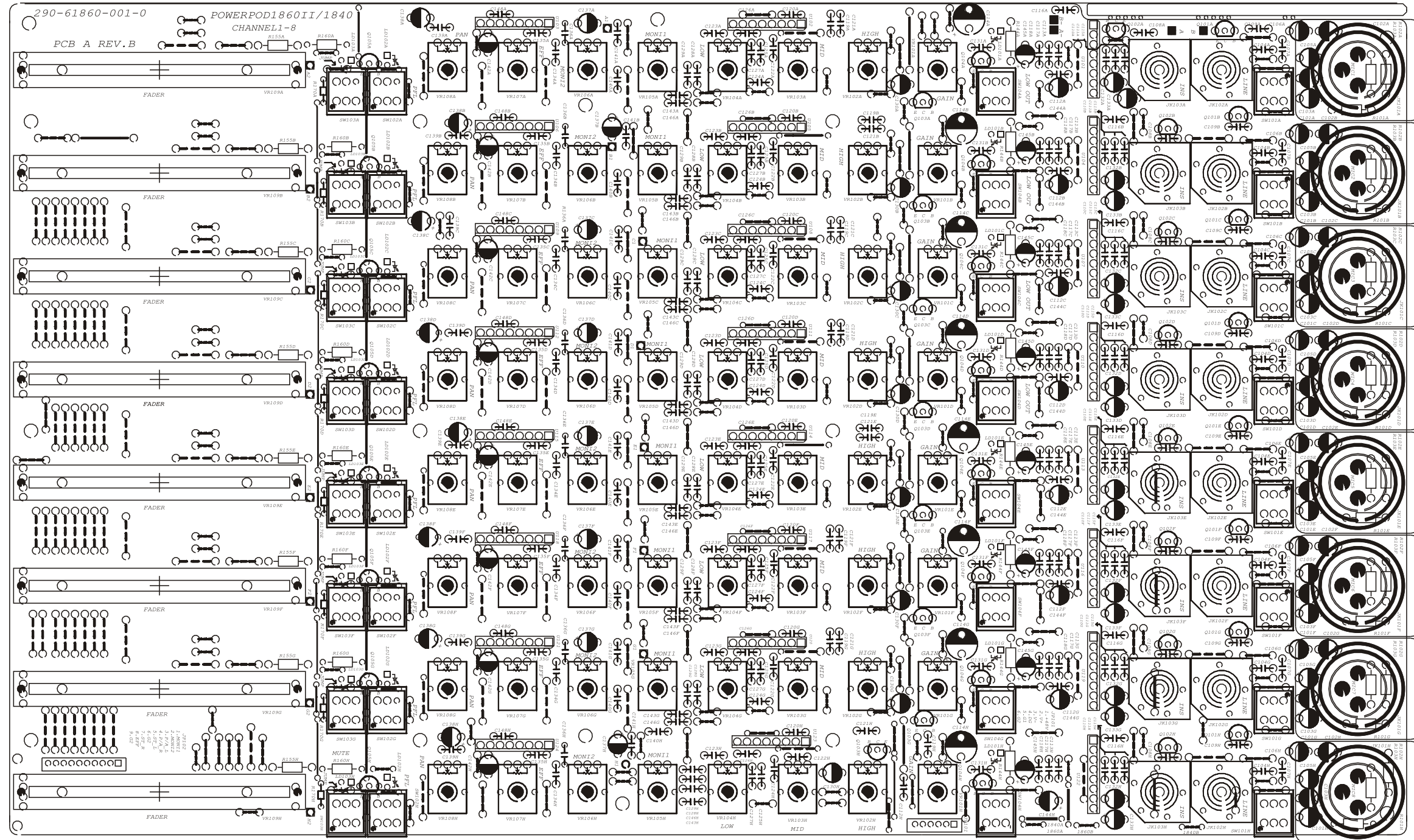


SYSTEM BLOCK DIAGRAM

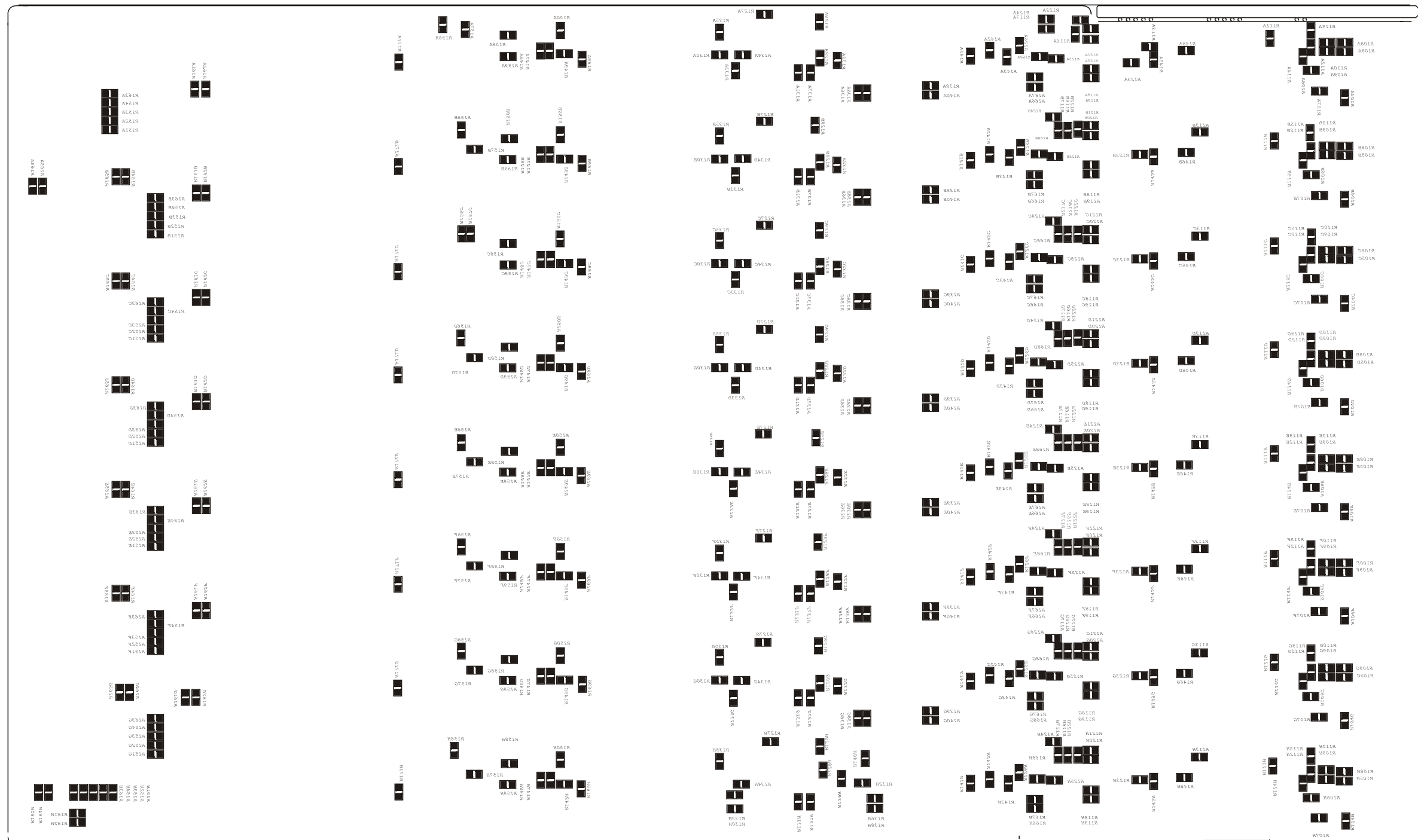


REMARKS:  
 1. POD1840 NO INSERT JACK ON CH1-8  
 2. POD1840 ONLY ONE GLOBAL  
 3. PHANTOM POWER SW ON CH8

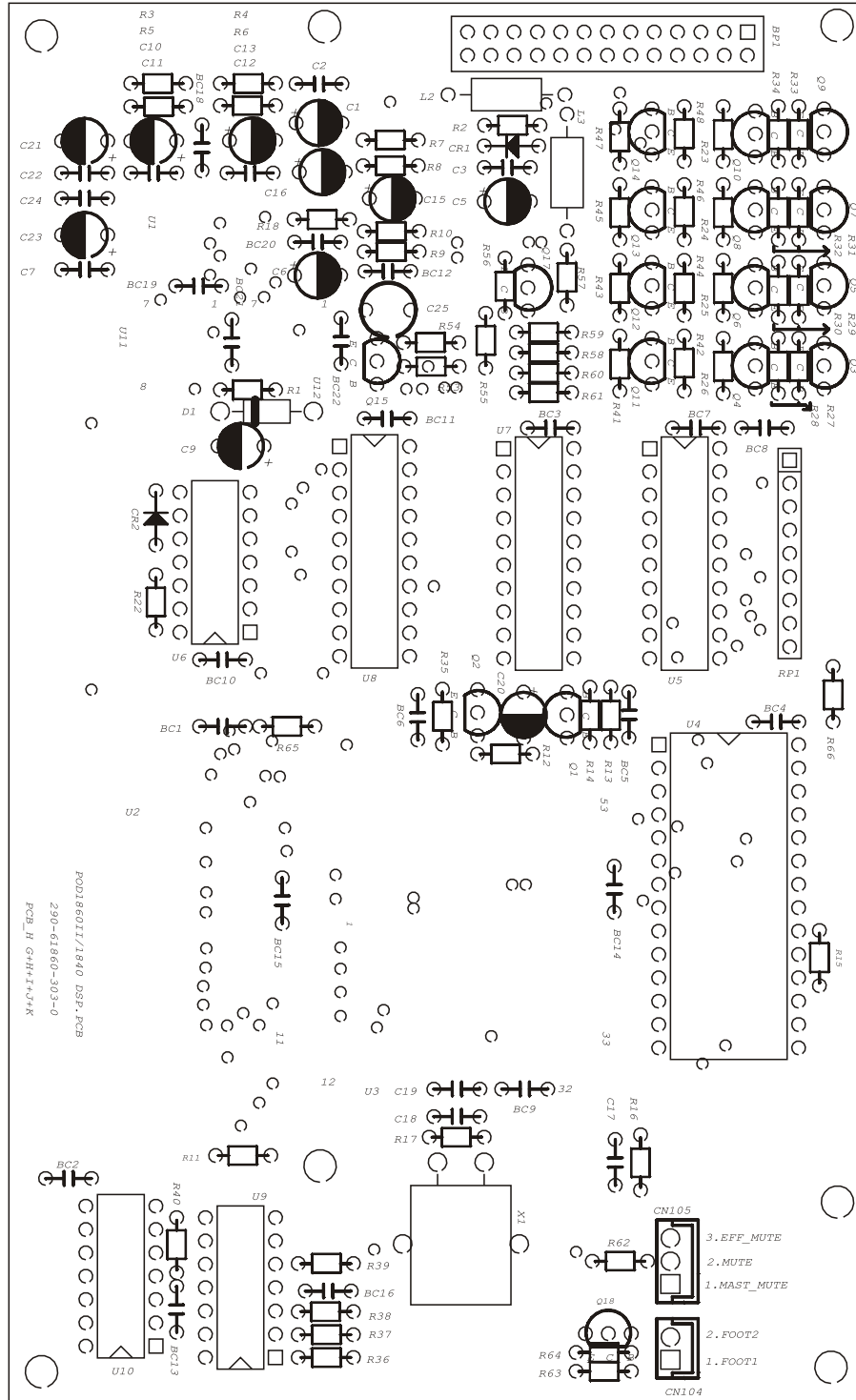
CHANNEL 1-8 PCB(COMPONENT SIDE)



CHANNEL 1-8 PCB(SOLDERING SIDE)



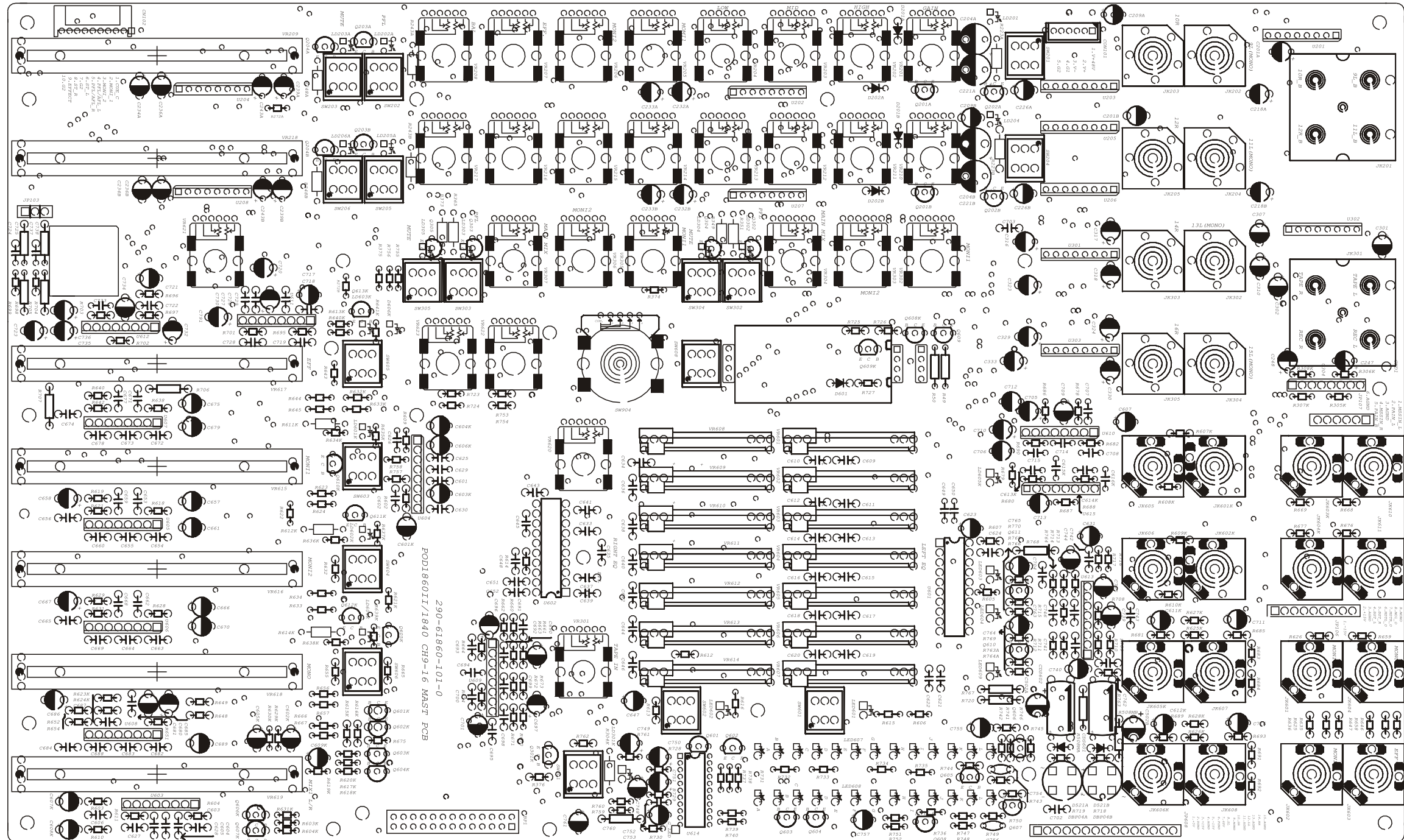
EFFECT PROCESSOR PCB



POD186011/1840 DSP-PCB  
290-61860-303-0  
PCB\_H G+H+I+J+K

- CN105
  - 3. EFF\_MUTE
  - 2. MUTE
  - 1. MAST\_MUTE
- CN104
  - 2. FOOT2
  - 1. FOOT1

CH 9/10-15/16 & MASTER SECTION PCB(COMPONENT SIDE)

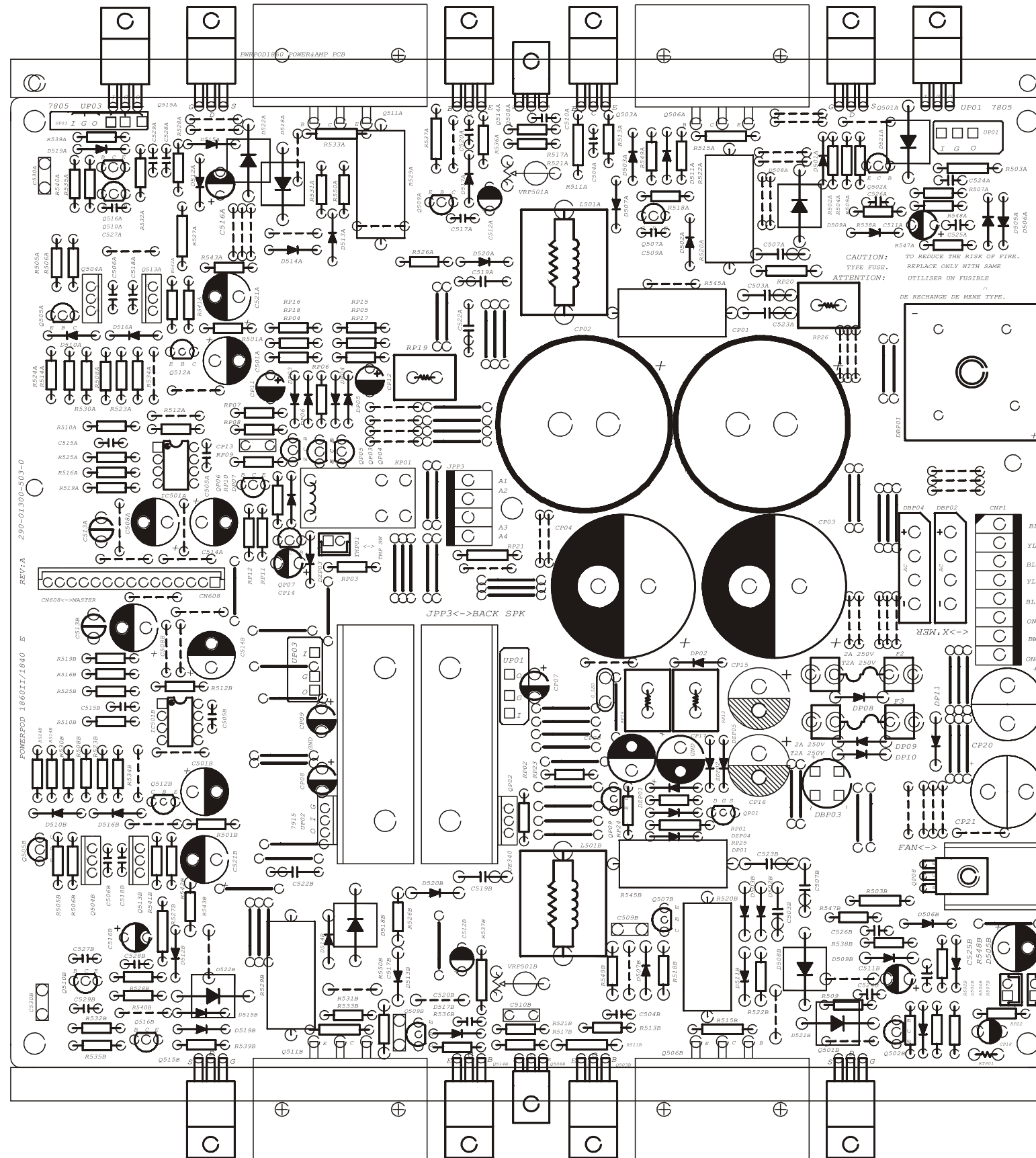




CH 9/10-15/16 & MASTER SECTION PCB(SOLDERING SIDE)

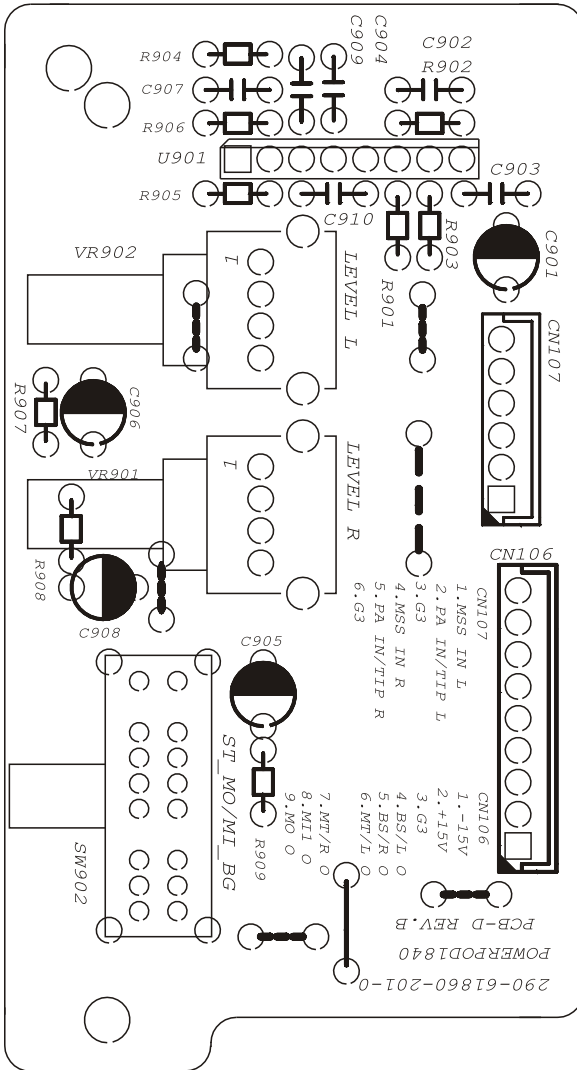


POWER AMPLIFIER PCB

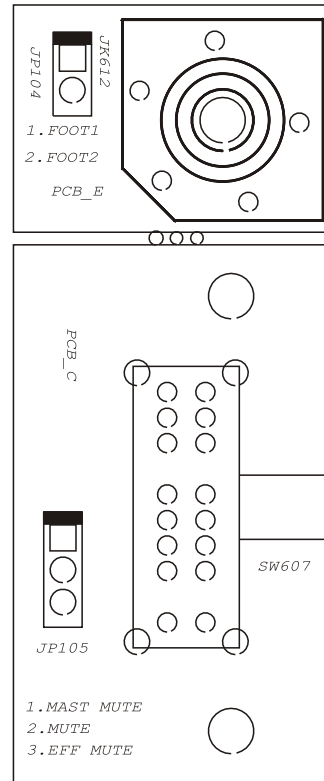


POWER AMPLIFIER VR & SWITCH & FOOT SWITCH PCB

POWER AMPLIFIER VR & SWITCH PCB

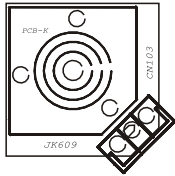


FOOT SWITCH PCB

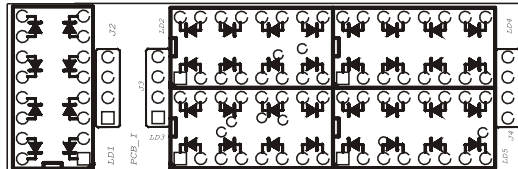


**SPEAKER OUT & POWER SWITCH & EFX NAME INDICATORS & HEADPHONES PCB**

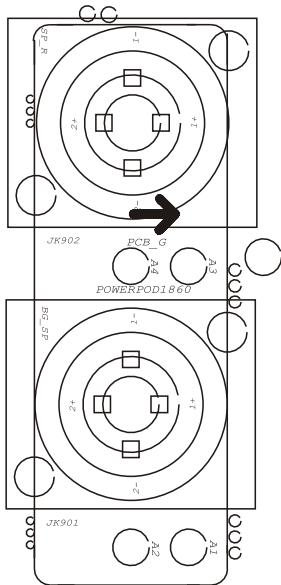
HEADPHONES PCB



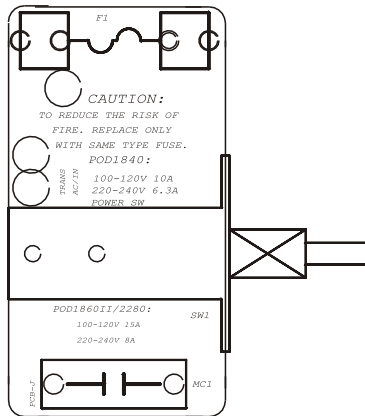
EFFECT NAME INDICATORS PCB



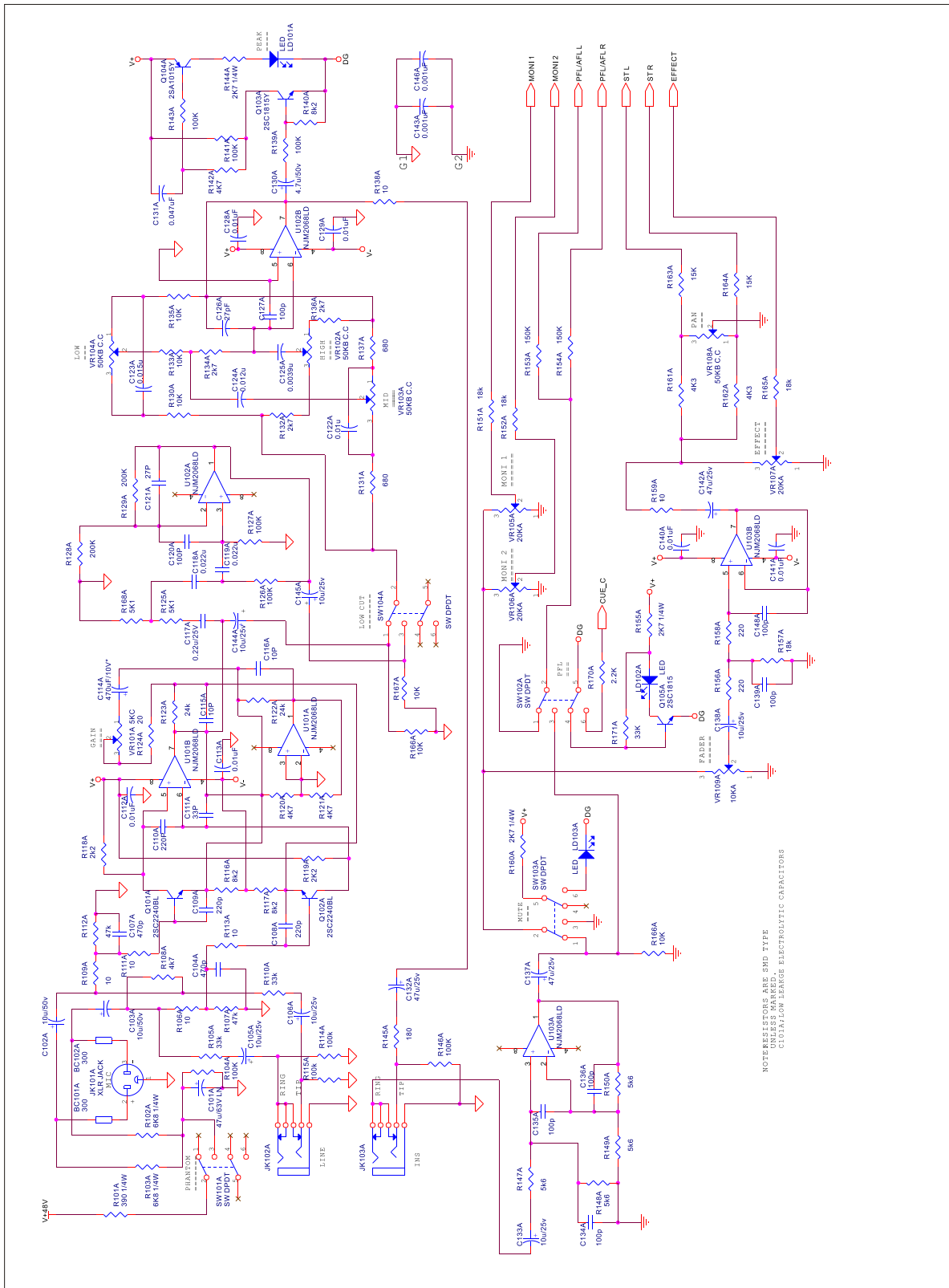
SPEAKER OUT PCB



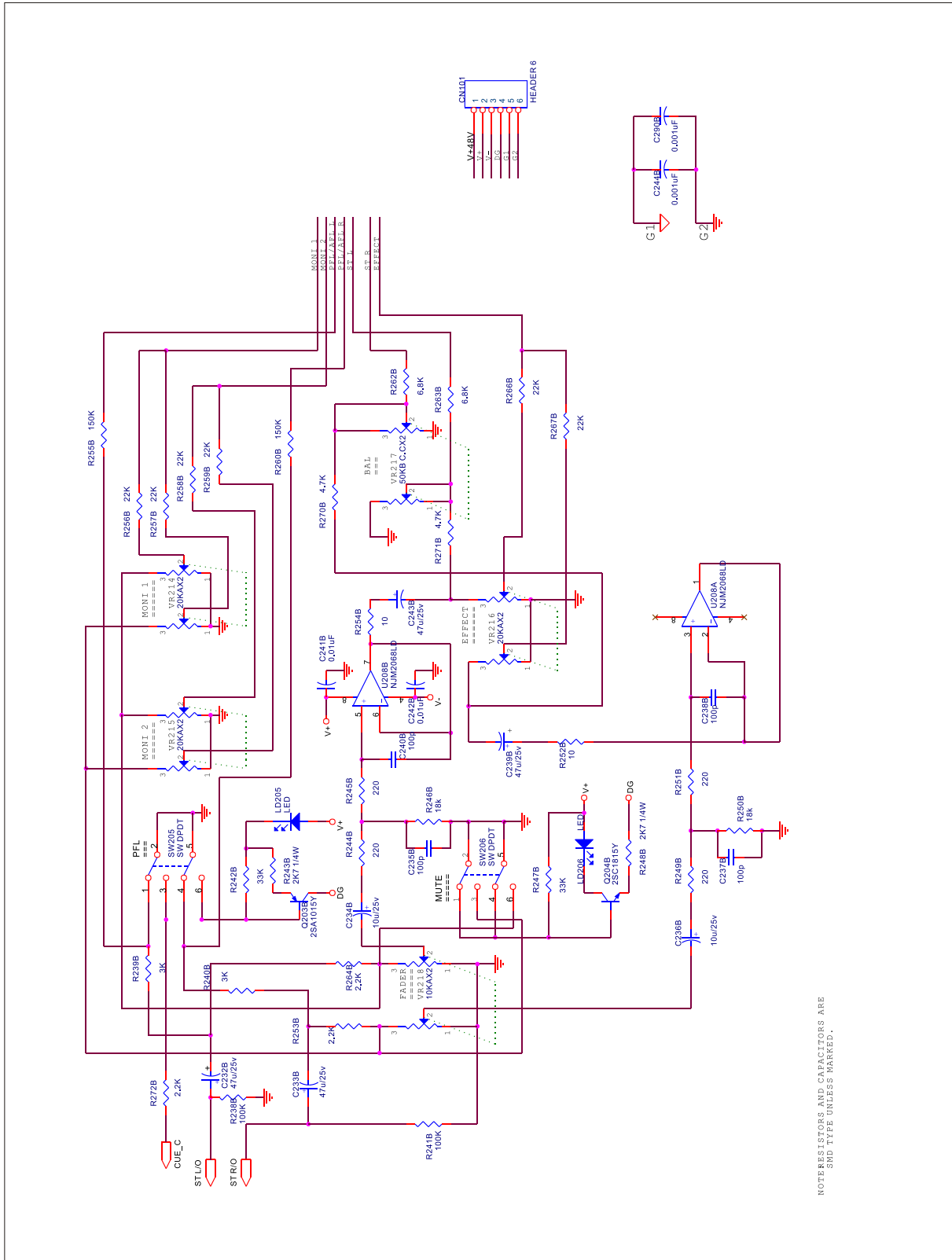
POWER SWITCH PCB



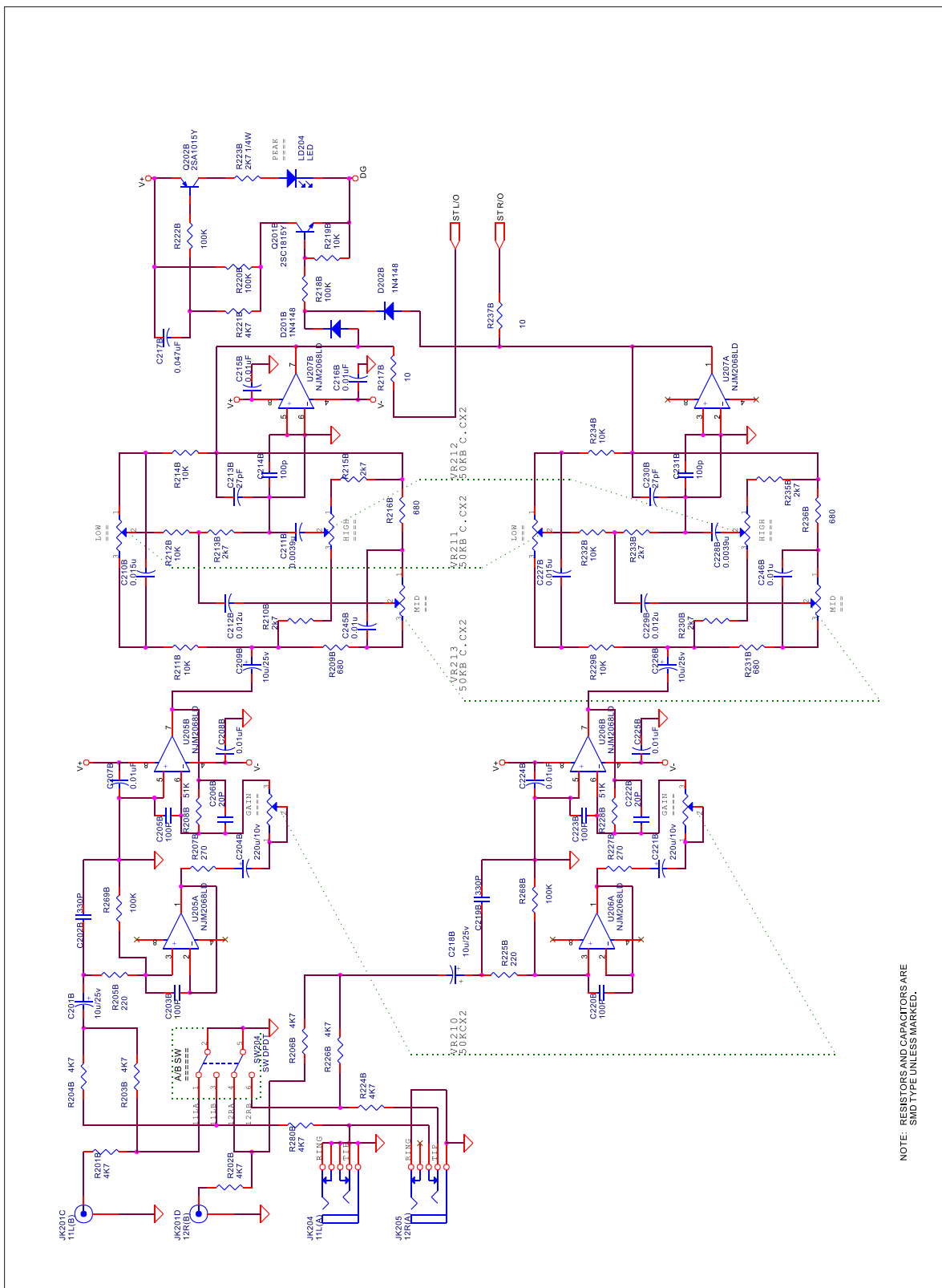
CHANNEL 1-8 IN/OUT SCHEMATIC



CHANNEL 9/10-11/12 IN/OUT SCHEMATIC

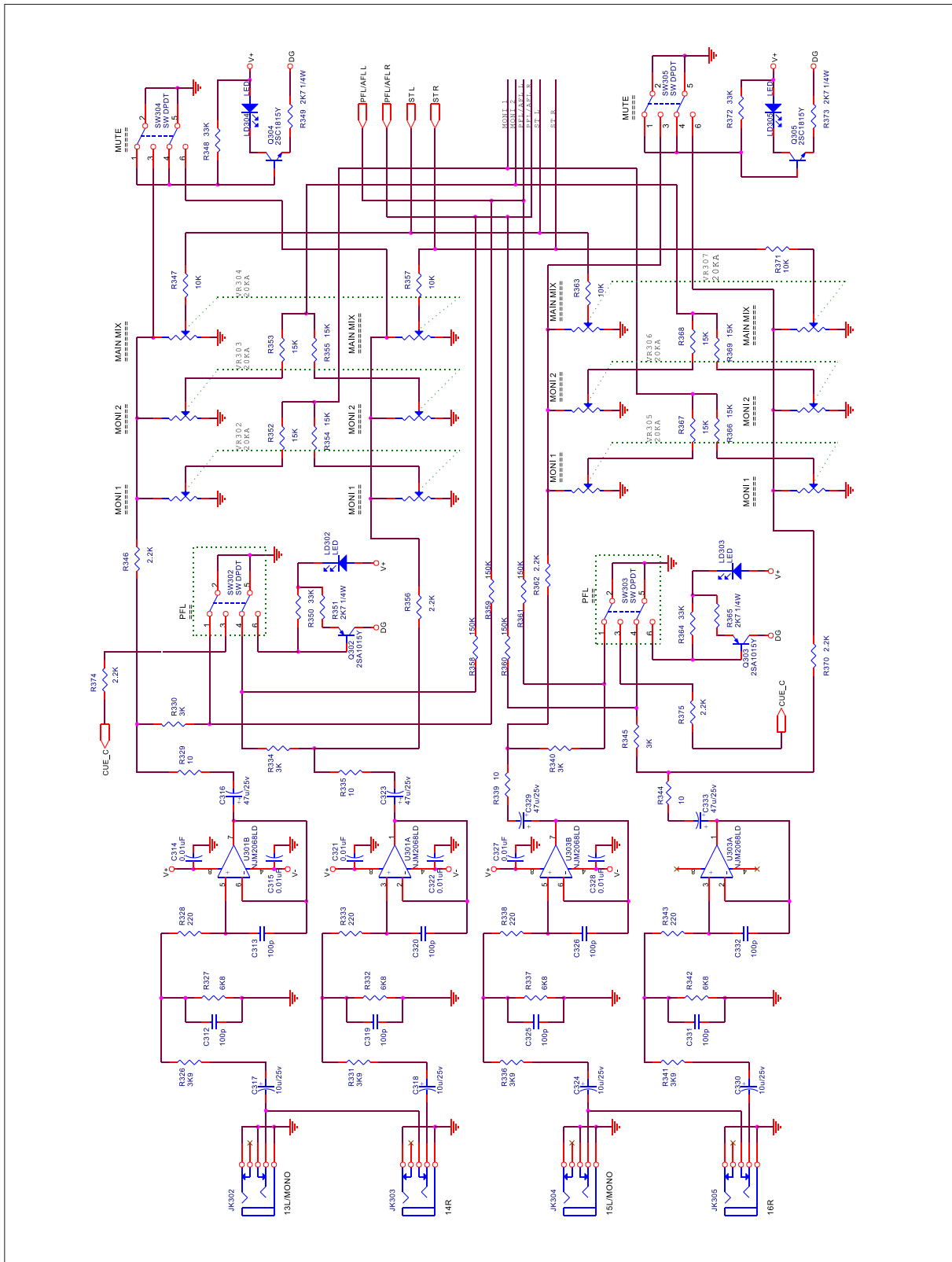


CHANNEL 9/10-11/12 PREAMPLIFIER SCHEMATIC



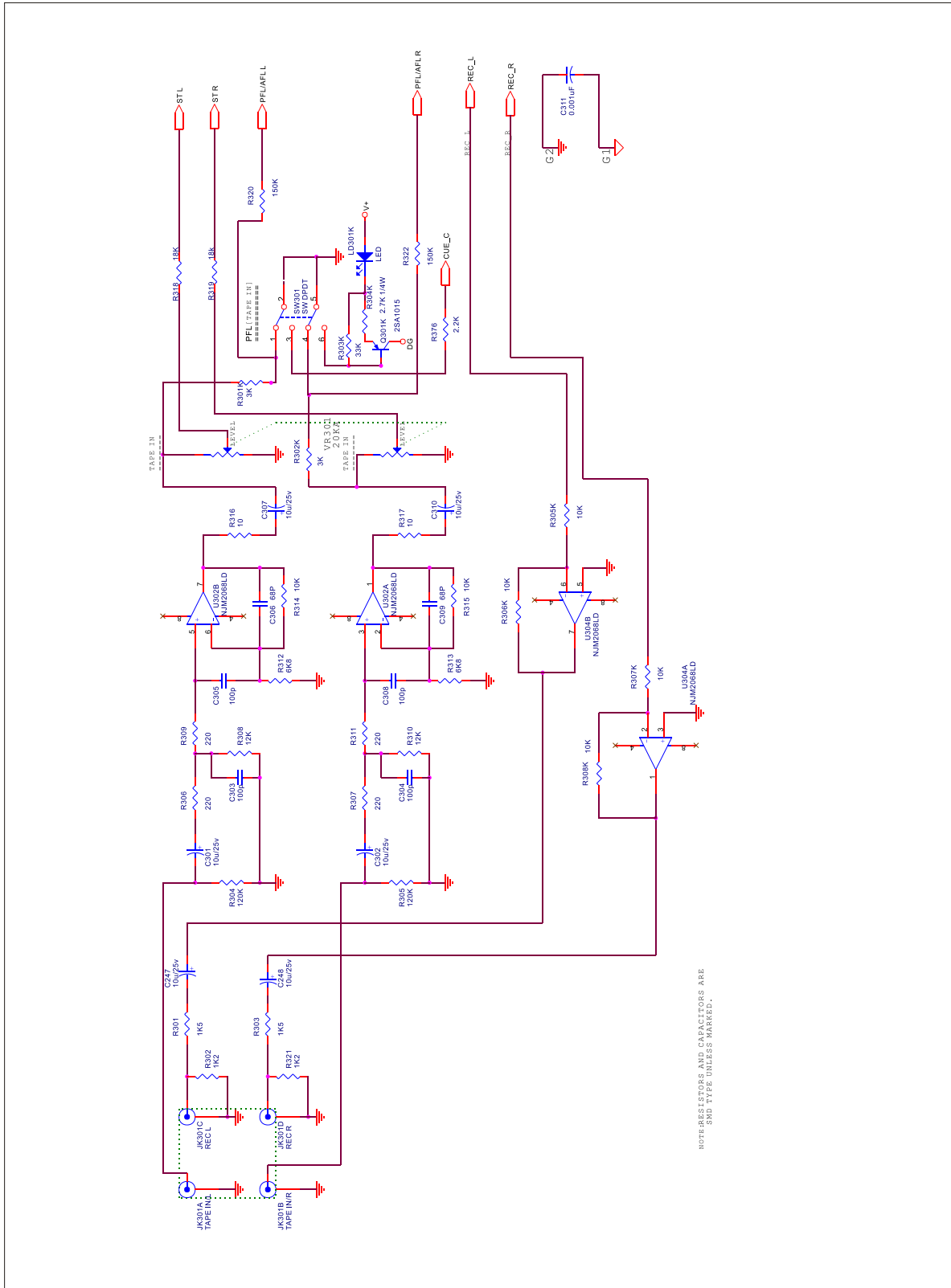
NOTE: RESISTORS AND CAPACITORS ARE SMD TYPE UNLESS MARKED.

CHANNEL 13/14-15/16 IN/OUT SCHEMATIC

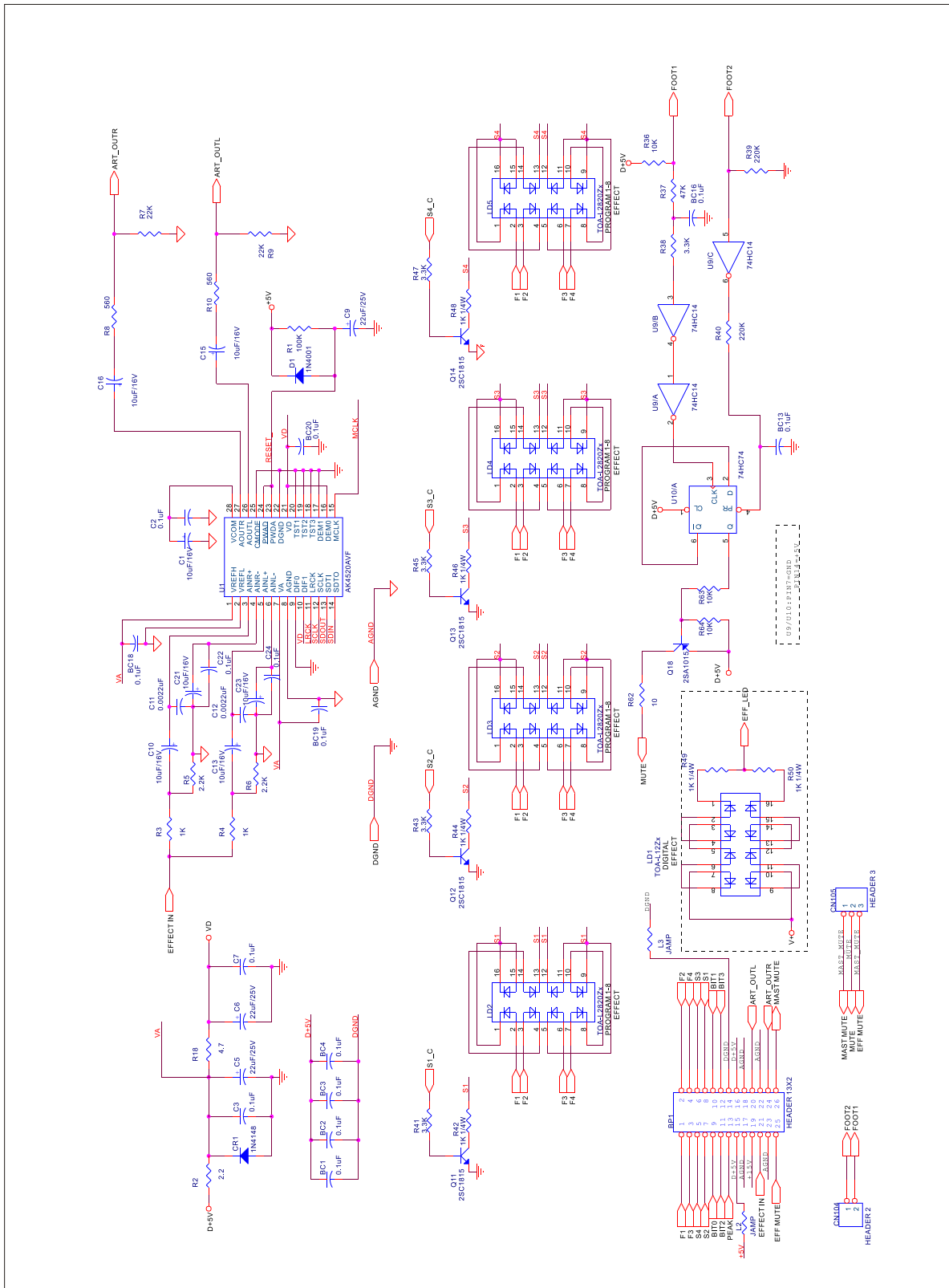




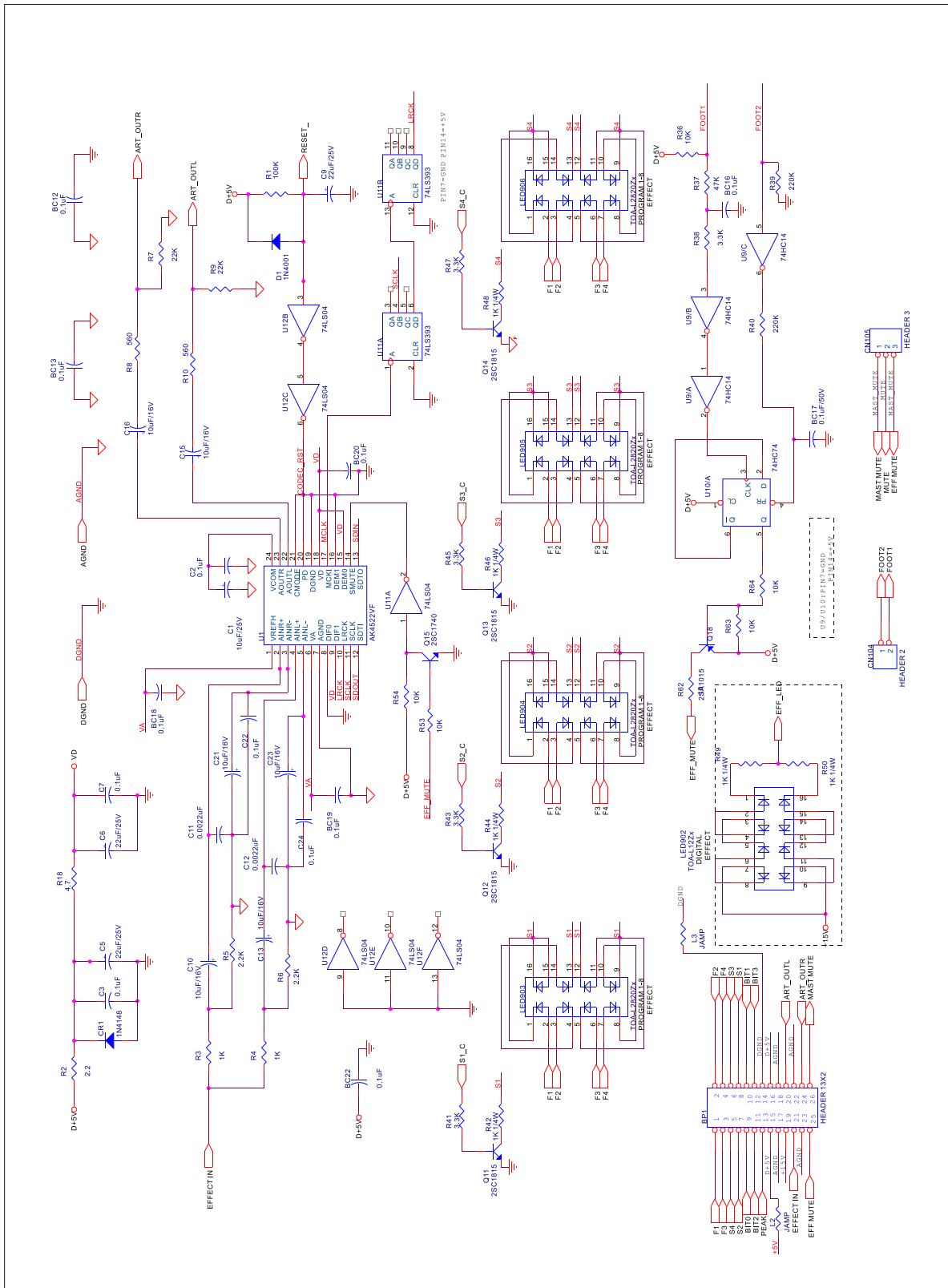
TAPE IN/OUT SCHEMATIC



EFFECT PROCESSOR DSP & IN/OUT SCHEMATIC(3-1)

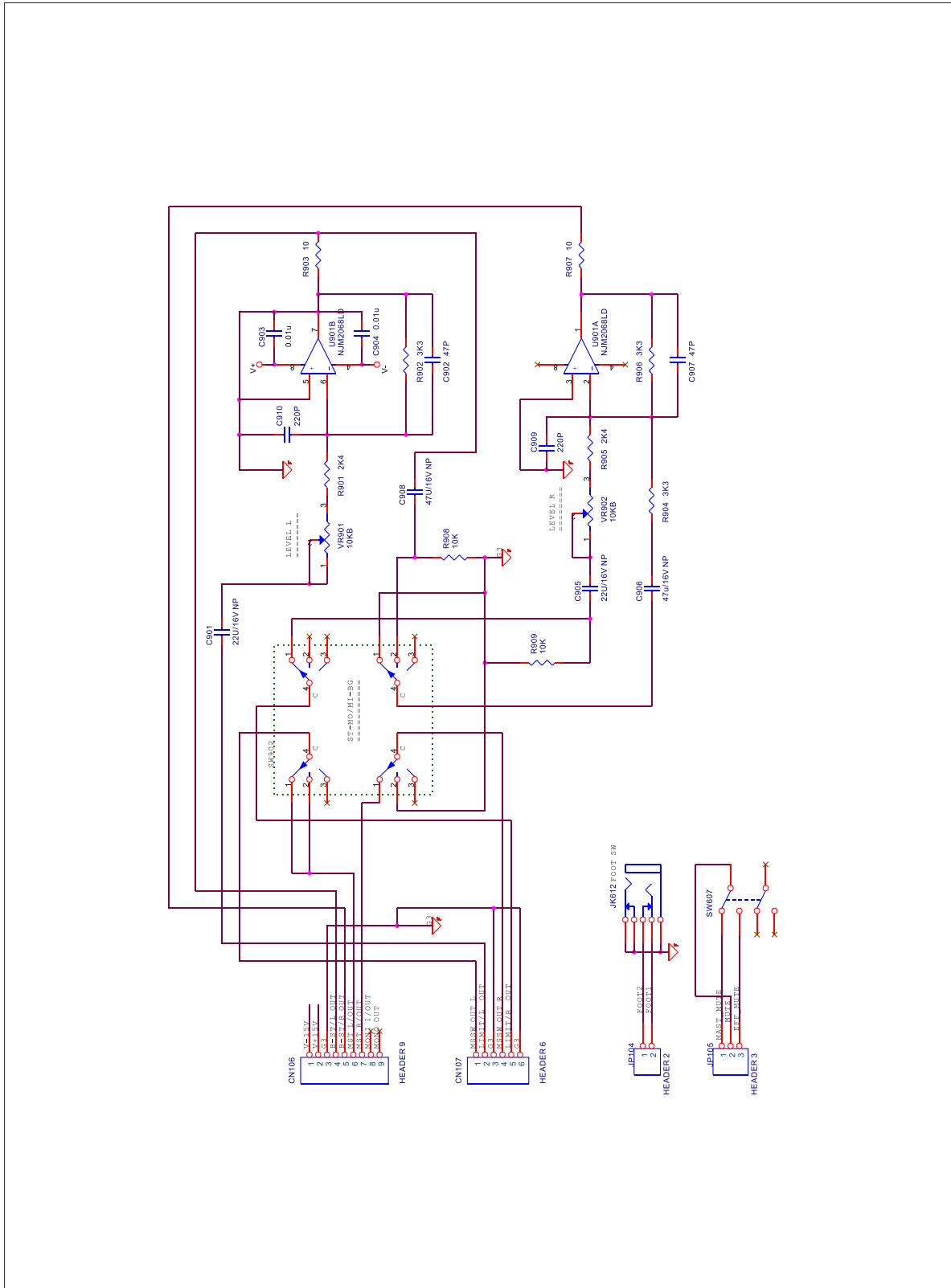


EFFECT PROCESSOR DSP & IN/OUT SCHEMATIC(3-2)



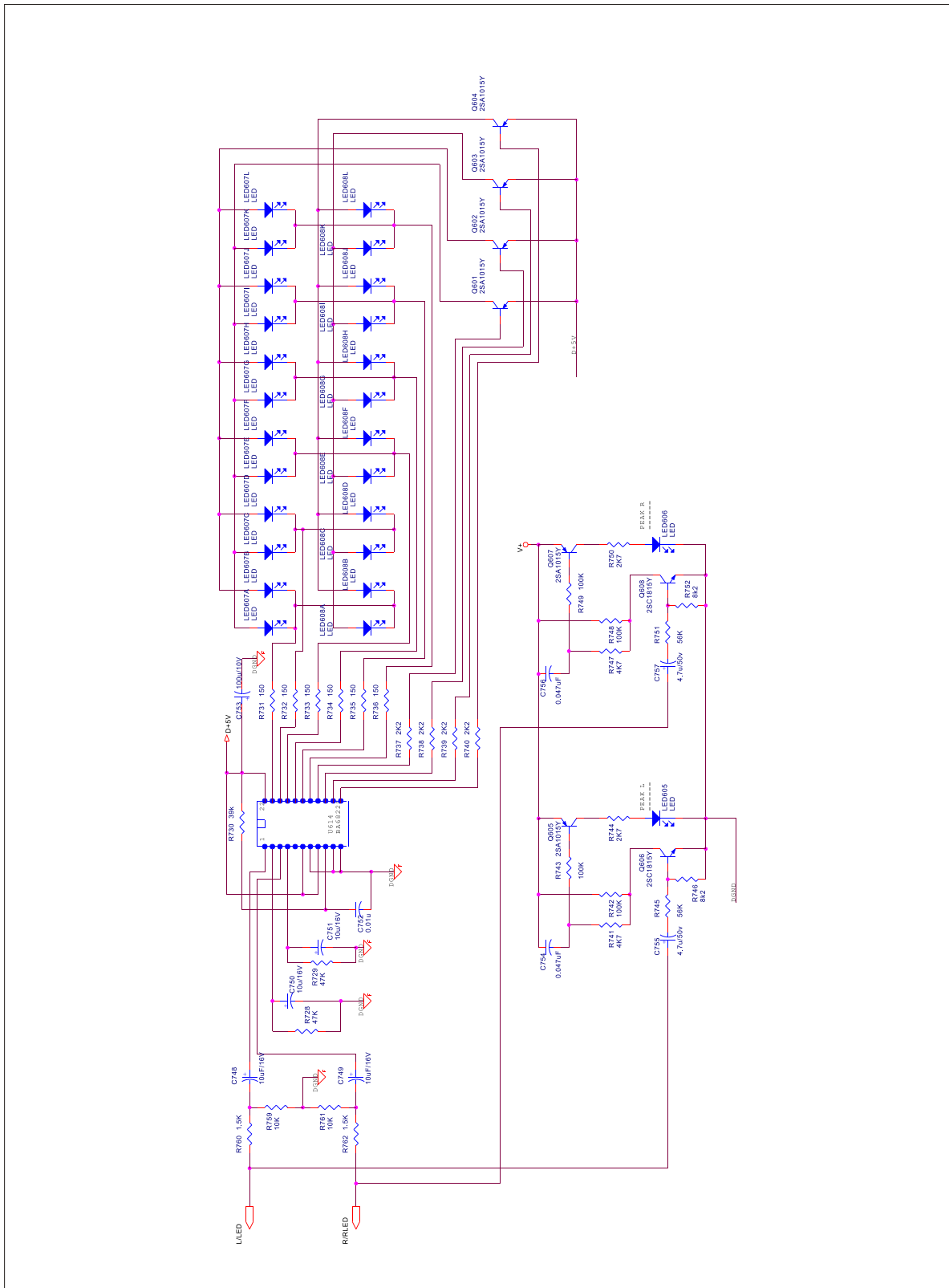


REAR PANEL- POWER AMPLIFIER VR & SWITCH & FOOT SWITCH SCHEMATIC

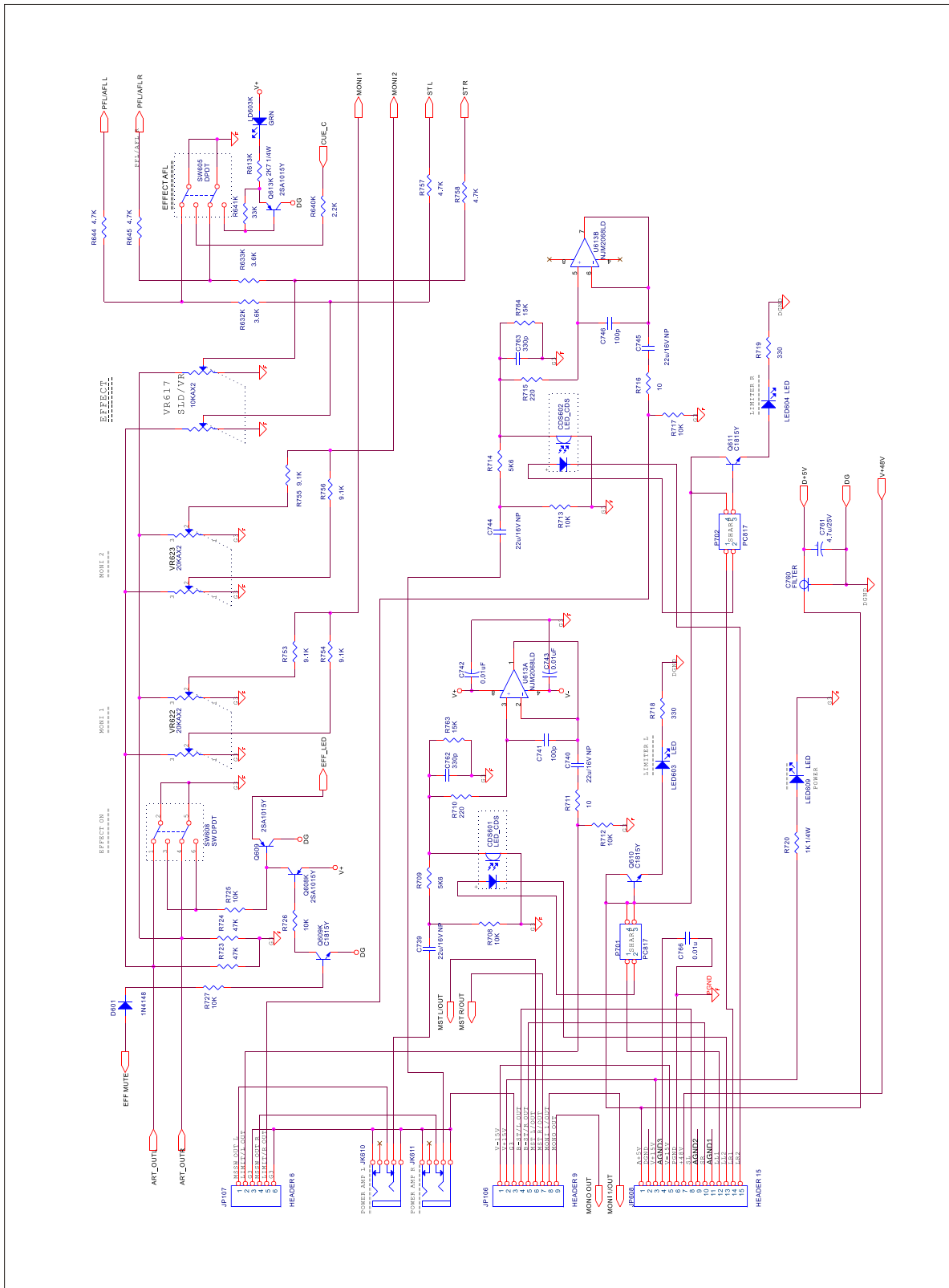




MASTER LEVEL METER SCHEMATIC

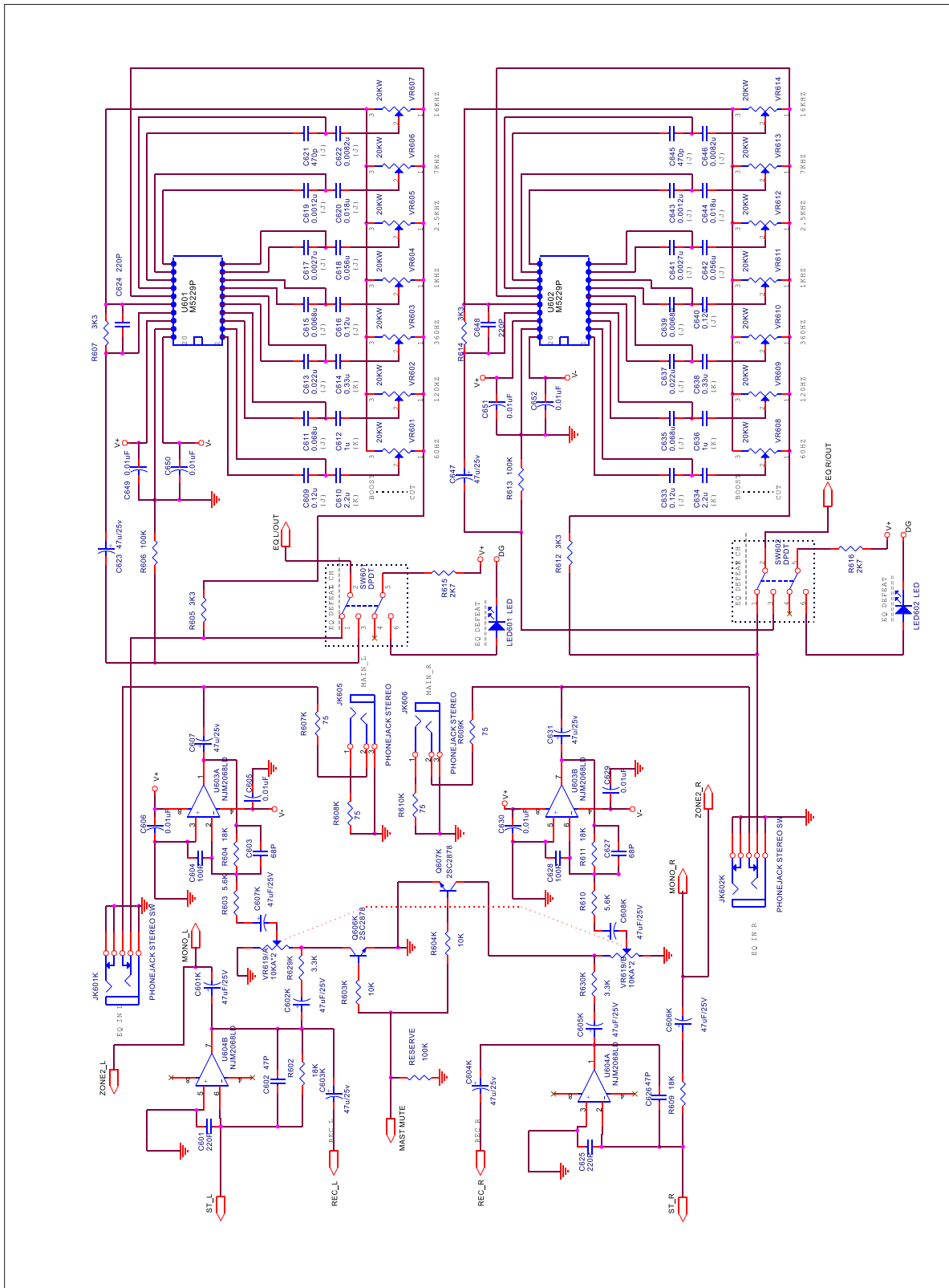


EFFECT & LIMITER SCHEMATIC

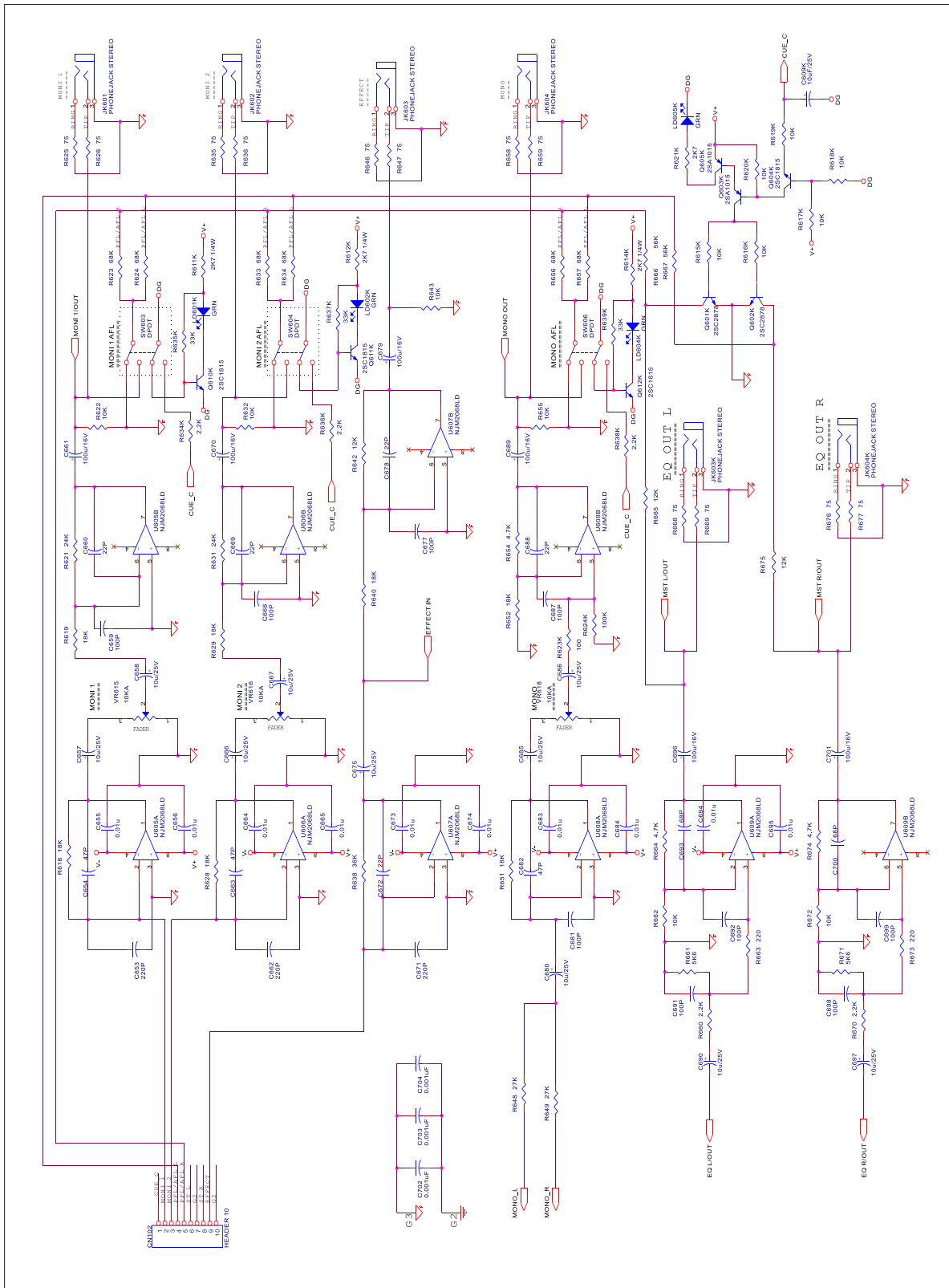




DUAL 7-BAND GRAPHIC EQ SCHEMATIC



MASTER SECTION SCHEMATIC





## CHANNEL 1-8 PCB-PART LIST

Ref.	Phonic. Part No.	Specifications
	008-06812-600-0	CHIP RES. 680 J 0603
	290-61860-001-0	1860II/1840CHANNEL PCB
	382-20005-010-0	TINNER WIRE 5.0MM D0.6
	382-20007-510-0	TINNER WIRE 7.5MM D0.6
	382-20010-010-0	TINNER WIRE 10MM D0.6
	382-20012-510-0	TINNER WIRE 12.5MM D0.6
	382-20015-010-0	TINNER WIRE 15MM D0.6
	615-60004-620-0	LED BOSS L=13 LEDS=13
A1-A2....H1-H2	379-01121-021-0	M.WIRE UL1007 #26 120MM RED
C101A-101H	033-47668-0A0-0	LN E/C 47MF Z 63V 8*11 T
C102A-102H.103A-103 H	033-10664-0A0-0	LN E/C 10MF J 63V T 6*11
C104A-104H.107A-107 H	042-47124-050-0	C/C2 470PF J 50V 5 T
C105A-105H.106A-106 H.133A-133H.138A-13 8H .144A-144H.145A-1 45H	030-10638-0A0-0	E/C 10MF Z 25V 5*11 T
C108A-108H.109A-109 H.110A-110H	042-22124-050-0	C/C2 220PF J 50V 5 T
C111A-111H	042-33024-050-0	C/C2 33PF J 50V 5 T
C112A-112H.113A-113 H.122A-122H.128A-12 8H.129A-129H.140A-1 40H.141A-141H	046-10304-060-0	M/C 0.01MF J 50V 5 T
C114A-114H	033-47728-000-0	LN E/C 470MF Z 16V 8*12 P
C115A-115H.116A-116 H.121A-121H.126A-12 6H	042-27025-050-0	C/C 27PF K 50V T
C117A-117H	040-22425-140-0	ML/C 0.22MF K 50V 5 T
C118A-118H.119A-119 H	046-22304-060-0	M/C 0.022MF J 50V 5 T
C120A-120H.127A-127 H.134A-134H.135A-13 5H.136A-136H.139A-1 39H.148A-148H	042-10124-050-0	C/C2 100PF J 50V T

## CHANNEL 1-8 PCB-PART LIST

Ref.	Phonic. Part No.	Specifications
C123A-123H	046-15305-060-0	M/C 0.015UF K 50V T
C124A-124H	046-12304-060-0	M/C 0.012MF J 50V 5 T
C125A-125H	046-39205-060-0	M/C 0.0039MF K 50V T
C130A-130H	030-47558-0A0-0	E/C 4.7MF Z 50V 5*11 T
C131A-131H	046-47304-060-0	M/C 0.047MF J 50V T
C132A-132H.137A-137 H.142A-142H	030-47638-0A0-0	E/C 47MF Z 25V 6.3*11 T
C143A-143H.146A-146 H	046-10204-060-0	M/C 0.001MF J 50V 5 T
CH1-A(CHAN1-8)*1 CH1-B(CHAN1-8)*1	379-02500-100-0	M.WIRE UL1007 #24 50MM BLK
JK101A-101H	211-03300-160-0	XLR/J SKCA229-1K3F2
JK102A-102H.JK103A- 103D	211-01602-380-0	6D3/J (SCJ-0658-Y)
JP101(CHANNEL1_8)* 1	212-10061-220-0	6P WAFER/P 70MM P=2.0MM
JP102	212-10100-000-0	10P WAFER/P 100MM UL1007#26 P=2.0
LD101A-101H.LD103A- 103H	100-00010-030-0	LED BL-B5141 RED
LD102A-102H	100-00050-000-0	LED BL-B2141 GRN
Q101A-101H.102A-102 H	120-00001-010-0	TRAN 2SC2240-BL TOSHIBA
Q103A-Q103H.105A-1 05H	120-00000-800-0	TRAN. 2SC1815 GR
Q104A-104H	121-00000-200-0	TRAN. 2SA1015 GR
R101A-101H	000-39126-400-0	CF RES. 390 J 0.25W T
R102A-102H.R103A-10 3H	000-68226-400-0	CF RES. 6K8 J 0.25W T
R104A-104H.114A-114 H.115A-115H.126A-126 H.127A-127H.139A-13 9H.141A-141H.143A-1 43H	008-01042-600-0	CHIP RES. 100K J 0603
R105A-105H.110A-110 H.171A-171H	008-03332-600-0	CHIP RES. 33K J 0603

**CHANNEL 1-8 PCB- PART LIST**

<b>Ref.</b>	<b>Phonic. Part No.</b>	<b>Specifications</b>
R106A-106H.109A-109 H.111A-111H.113A-113 H.138A-138H.159A-159H	008-01002-600-0	CHIP RES. 10J SMT 0603 PKG
R107A-107H.112A-112H	008-04732-600-0	CHIP RES. 47K J 0603
R108A-108H.120A-120H H.121A-121H.142A-142H	008-04722-600-0	CHIP RES. 4.7K J 0603
R116A-116H.117A-117H	008-82010-400-0	CHIP RES. 8K2 F 0805
R118A-118H.119A-119H	008-22010-400-0	CHIP RES. 2K2 F 0805
R122A-122H.123A-123H	008-02432-600-0	CHIP RES. 24K J 0603
R124A-124H	008-02002-600-0	CHIP RES. 20 J 0603
R125A-125H.168A-168H	008-05122-600-0	CHIP RES. 5.1K J 0603
R128A-128H.129A-129H	008-02042-600-0	CHIP RES. 200K J 0603
R130A-130H.133A-133H H.135A-135H.166A-166H 6H.167A-167H.169A-169H	008-01032-600-0	CHIP RES. 10K J 0603
R131A-131H.137A-137H	008-06812-600-0	CHIP RES.680 J0603
R132A-132H.134A-134H H.136A-136H	008-02722-600-0	CHIP RES. 2.7K J 0603
R140A-140H	008-08222-600-0	CHIP RES. 8.2K J 0603
R144A-144H.155A-155H H.160A-160H	000-27226-400-0	CF RES. 2K7 J 0.25W T
R145A-145H	008-01812-600-0	CHIP RES. 180 J 0603
R146A-146H	008-01042-600-1	
R147A-147H.148A-148H H.149A-149H.150A-150H	008-05622-600-0	CHIP RES. 5.6K J 0603

## CHANNEL 1-8 PCB- PART LIST

Ref.	Phonic. Part No.	Specifications
R151A-151H.152A-152 H.157A-157H.165A-16 5H	008-01832-600-0	CHIP RES. 18K J 0603
R153A-153H.154A-154 H	008-03632-600-0	CHIP RES. 36K J 0603
R156A-156H.158A-158 H	008-02212-600-0	CHIP RES. 220 J 0603
R161A-161H.162A-162 H	008-04322-600-0	CHIP RES. 4.3K J 0603
R163A-163H.164A-164 H	008-01532-600-0	CHIP RES. 15K J 0603
R170A-170H	000-22206-400-0	CF RES. 2K2 J 1/8W T
SW101H	210-02202-070-0	PUSH/SW SPEC12HC11-JP
SW102A-102H.103A-1 03H.104A-104H	210-02201-440-0	PSH/SW 2P2T SFPC12MC03-PF
U101.104.107.110.113. 116.119.122	042-27024-050-0	C/C2 27PF J 50V 5 T
U101-U124	160-00007-510-0	IC NJM2068L JRC
VR101A-101H	022-50290-003-0	S.ROT/VR 5KZY L=30MM RD09F1130001-5KZ
VR102A-102H.103A-10 3H.104A-104H.108A-1 08 H	022-50350-011-0	S.ROT/VR 50KB(C.C)L=30MM
VR105A-105H.106A-10 6H.107A-107H	022-20350-001-0	S.ROT/VR 20KA L=30MM F=12MM
VR109A-109H	026-10326-030-0	S.SLD/VR 10KA L=15MM 60MM P

**CHANNEL 9/10-15/16 & MASTER PCB- PART LIST**

<b>Ref.</b>	<b>Phonic. Part No.</b>	<b>Specifications</b>
	290-61860-101-0	POD1860II/1840 MASTER PCB
	590-53008-100-0	M/E SET SCR. M3.0*8 NI
	610-00301-018-0	FIBER WAS. D3.0*8*1
	615-60004-620-0	LED BOSS L=13 LEDS=13
	615-60043-620-0	BOSS HP-12A M3.0*12.0
BP1	211-09261-020-0	26P B.E./S 6201S-300-26G
C201A.B 209A.B 218A.B 226A.B 234A.B,236A .B,301.30 2.307.310.317.318.324. 330.791	030-10638-0A0-1	
C202A.202B.219A.219 B	039-33125-220-0	CHIP C/C 330PF K 50V 0603
C203A.203B.205A.205 B.214A.214B.220A.220 B.223A.223B.231A.231 B.235A.235B.237A.237 B	039-10124-220-0	CHIP C/C 100PF J 50V 0603
C204A.204B.221A.221 B	030-22718-0A0-0	E/C 220MF Z 10V 8*11 T
C206A.206B.222A.222 B	039-20024-220-0	CHIP C/C 20P J 50V 0603
C207A.207B.208A.208 B.215A.215B.216A.216 B.224A.224B.225A.225 B.241A.241B.242A.242 B	039-10324-220-0	CHIP C/C 0.01MF J 50V 0603
C210A.210B.227A.227 B	039-15325-220-0	CHIP C/C 0.015MF K 50V 0603
C211A.211B.228A.228 B	039-39224-220-0	CHIP C/C 0.0039MF J 50V 0603
C212A.212B.229A.229 B	039-12324-220-0	CHIP C/C 0.012MF J 50V 0603
C213A.213B.230A.230 B	039-27024-220-0	CHIP C/C 27PF J 50V 0603
C217A.217B	039-47325-220-0	CHIP C/C 0.047MF K 50V 0603



**CHANNEL 9/10-15/16 & MASTER PCB- PART LIST**

<b>Ref.</b>	<b>Phonic. Part No.</b>	<b>Specifications</b>
C232A.232B.233A.233 B.239A.239B.243A.243 B.316.323.329.333.607 .623.601K-608K	030-47638-0A0-0	E/C 47MF Z 25V 6.3*11 T
C238A.238B.240A.240 B.303.304.305.308.312 .313.319.320.325.326.3 31.332	039-10124-220-1	
C244A.244B.290A.290 B.311	039-10224-220-0	CHIP C/C 0.001MF J 50V 0603
C306.309	039-68024-220-0	CHIP C/C 68PF J 50V 0603
C314.315.321.322.327. 328.245A.245B.246A. 246B	039-10324-220-1	
C502A.502B.753	030-10718-0A0-0	E/C 100MF Z 10V 6*11 5 T
C601.624.653.662.671.	042-22124-050-0	C/C2 220PF J 50V 5 T
C602.654.663.682	042-47024-050-0	C/C2 47PF J 50V 5 T
C603.693.700.708.715. 613K.614K	042-68024-050-0	C/C2 68PF J 50V 5 T
C604.659.668.681.687. 691.692.698.699.707.7 14.718.727.741.746.67 7	042-10124-050-0	C/C2 100PF J 50V T
C605.606.649.650.655. 656.664.665.673.674.6 83.684.694.695.729.73 0.742.743.752.	046-10304-060-0	M/C 0.01MF J 50V 5 T
C609.616.633.640	040-12425-160-6	ML/C 0.12MF K 50V 5 T
C610.634	037-22565-010-0	F/C 2.2UF K 35V P.5
C611.635	040-68325-160-6	MHC 0.068UF K 50V CC5MM T
C612.636	037-10565-011-6	T/C 1MF K35V.T.5
C613.637	040-22325-150-6	ML/C 0.022UF 50V 10% X7R AL T
C614.638	037-33465-060-6	T/C 0.33MF K 35V T.5
C615.639	040-68225-150-6	ML/C 0.0068UF K 50V CC5MM AL T
C615K.616K	046-10304-060-1	

**CHANNEL 9/10-15/16 & MASTER PCB- PART LIST**

<b>Ref.</b>	<b>Phonic. Part No.</b>	<b>Specifications</b>
C617.641	040-27225-150-6	ML/C 0.0027UF K 50V CC5MM T AL
C618.642	040-56325-150-6	ML/C 0.056UF K 50V CC5MM AL T
C619.643	040-12225-150-0	ML/C 0.0012UF K 50V AL T
C620.644	040-18325-160-0	ML/C 0.018UF 50V K 5 T
C621	042-47124-050-0	C/C2 470PF J 50V 5 T
C622.646	040-82225-150-6	ML/C 0.0082UF K 50V CC5MM AL T
C625.648	040-22135-150-6	ML/C 220PF 100V 10% NPO AL T
C626	040-47025-150-0	ML/C 47PF K 50V M 5 T AL
C627	040-68025-100-0	ML/C 68PF K 50V P 5 T
C628	040-10135-150-6	ML/C 100PF 100V 10% NPO J AL T
C629.630.651.652	040-10335-150-6	ML/C 0.01UF/100V 10% X7R AL T
C631.647	035-47626-0A0-0	MINI E/C 47MF M 16V 5*7 T
C645	040-47125-160-6	ML/C 470PF K 50V T
C657.658.666.667.675. 680.685.686.690.697.7 05.712.717.720.721.72 6.732.750.751	030-10638-0A0-0	E/C 10MF Z 25V 5*11 T
C660.669.672.678.719. 722.728.733	042-22024-050-0	C/C2 22PF J 50V 5 T
C661.670.679.689.696. 701.709.710.711.716.7 23.734.735.736.611K.6 12K	030-10728-0A0-0	E/C 100MF Z 16V 6*11 T
C688	042-33024-050-0	C/C2 33PF J 50V 5 T
C702.703.724.737	046-10204-060-0	M/C 0.001MF J 50V 5 T
C704	040-10225-160-6	ML/C 0.001UF K 50V 5P T
C725.738.760	072-20108-000-0	CHOKE COIL BF1052AT 52R BEAD COIL
C739.740.745 744	032-22626-0A0-0	NP E/C 22MF M 16V 5*11 T
C754.756	046-47304-060-0	M/C 0.047MF J 50V T
C755.757	030-47558-0A0-0	E/C 4.7MF Z 50V 5*11 T

## CHANNEL 9/10-15/16 &amp; MASTER PCB- PART LIST

Ref.	Phonic. Part No.	Specifications
C761	030-47538-0A0-0	E/C 4.7MF Z 25V 5*11 T
C762.763	042-33125-050-0	C/C2 330PF K 50V T
C764.765	030-10558-0A0-0	E/C 1MF Z 50V 5*11 T
CDS601.602	010-00001-010-0	CDS P873-G35-552 HAMAMATSU
CN101	211-10060-000-0	6P WAFER/S A2001WR2-6P P=2.0MM 90DEGREE
CN102	211-10100-000-0	10P WAFER/S A20001WR2-10P P=2.0 90DEGREE
D201A.201B.202A.202 B	090-02000-020-0	DIODE 1N4148 T
DBP04A.B	090-10000-000-0	B/DIODE PB154
JK201.301	211-00041-100-0	4P RCA/J RL-1414-4D
JK202-205.302-305.61 0.611.601K.602K	211-01602-380-0	6D3/J (SCJ-0658-Y)
JK601-608.603K.604K. 605K.606K	211-01602-390-0	6D3/J JY-6351-02-030 SCJ-0658
JP103	212-10032-510-0	3P WAFER/P UL1007#24 PH=2.5MM 100MM
JP106(MAST)	212-10090-390-0	9P WAFER/P 300MM UL1007#24 P=2.5MM
JP107(MAST)	212-10061-230-0	6P WAFER/P 300MM UL2547#26/2C P=2.5MM
JP608(MAST)	212-10150-060-0	15P WAFER/P 1000MM UL1007#24 P=2.5MM
LED201.203A.204.206 A.304.305.601-604.521 A.521B.606K.607J-607 M.608J-608M	100-00010-030-0	LED BL-B5141 RED
LED607A-607F.608A-6 08F.202A.205A.302.30 3.LD301K.601K-605K	100-00050-000-0	LED BL-B2141 GRN
LED607G.607H.607I.60 8G.608H.608I	100-00040-000-0	LED 204YD YLW
LED609	100-00070-030-0	LED 204UBD D3 BLUE ()

## CHANNEL 9/10-15/16 &amp; MASTER PCB- PART LIST

Ref.	Phonic. Part No.	Specifications
Q201A.B,204A.B,304.3 05.606.608.610.611.60 4K.610K.611K.612K	120-00000-800-0	TRAN. 2SC1815 GR TOSHIBA
Q202A.B,203A.B,302.3 03.601-605.607.301K. 603K.605K.613K	121-00000-200-0	TRAN. 2SA1015 GR TOSHIBA
Q601K.602K.606K.607 K	120-00006-200-0	TRAN. 2SC2878 TOSHIBA
R201A-204A.201B-204 B.206A.206B.221A.221 B.224A.224B.226A.B,2 80A.B,270A.B,271A.B	008-04722-600-0	CHIP RES. 4.7K J 0603
R205A.205B.225A.225 B.244A.244B.245A.245 B.249A.249B.251A.251 B.306.307.309.311.328	008-02212-600-0	CHIP RES. 220 J 0603
R207A.207B.227A.227 B	008-02712-600-0	CHIP RES. 270 J 0603
R208A.208B.228A.228 B	008-05132-600-0	CHIP RES. 51K J 0603
R209A-209B.216A.216 B.231A.231B.236A.236 B	008-06812-600-0	CHIP RES. 680 J 0603
R210A.210B.213A.213 B.215A.215B.230A.230 B.233A.233B.235A.235 B	008-02722-600-0	CHIP RES. 2.7K J 0603
R211A.211B.212A.212 B.214A.214B.219A.219 B.229A.229B.232A.232 B.234A.234B.314.315.	008-01032-600-0	CHIP RES. 10K J 0603
R217A.217B.237A.237 B.252A.252B.254A.254 B.316.317.329.335.339 .344	008-01002-600-0	CHIP RES. 10J SMT 0603 PKG

**CHANNEL 9/10-15/16 & MASTER PCB- PART LIST**

<b>Ref.</b>	<b>Phonic. Part No.</b>	<b>Specifications</b>
R218A.218B.220A.220 B.222A.222B.238A.238 B.241A.241B.268A.268 B.269A.269B	008-01042-600-0	CHIP RES. 100K J 0603
R223A.223B.243A.243 B.248A.248B.349.351.3 65.373.304K.611K.612 K.613K.614K	000-27226-400-0	CF RES. 2K7 J 0.25W T
R239A.239B.240A.240 B.330.334.340.345.301 K.302K	008-03022-600-0	CHIP RES. 3K J 0603
R242A.242B.247A.247 B.255A.255B.260A.260 B.348.350.358-361.364 .372.320.322.303K	008-03332-600-0	CHIP RES. 33K J 0603
R250A.B,246A.B,318.3 19	008-01832-600-0	CHIP RES. 18K J 0603
R253A.253B.264A.264 B.346.356.362.370	008-02222-600-0	CHIP RES. 2.2K J 0603
R256A.256B.257A.257 B.258A.258B.259A.B,2 66A.B,267A.B	008-02232-600-0	CHIP RES. 22K J 0603
R301.303	008-01522-600-0	CHIP RES. 1.5K J 0603
R302.321	008-01222-600-0	CHIP RES. 1.2K J 0603
R304.305	008-01242-600-0	CHIP RES. 120K J 0603
R307K.622.632.643.65 5.683.691.699.705.708. 712.615K-620K.627K.6 28K.	000-10306-400-0	CF RES. 10K J 1/8W T
R308.310	008-01232-600-0	CHIP RES. 12K J 0603
R312.313.327.332.337. 342.262A.262B.263A. 263B	008-06822-600-0	CHIP RES. 6K8 J 0603
R326.331.336.341	008-03922-600-0	CHIP RES. 3.9K J 0603
R333.338.343.	008-02212-600-1	
R347.357.363.371	008-01032-600-1	
R352-355.366-369	008-01532-600-0	CHIP RES. 15K J 0603

**CHANNEL 9/10-15/16 & MASTER PCB- PART LIST**

<b>Ref.</b>	<b>Phonic. Part No.</b>	<b>Specifications</b>
R602.609.618.619.628. 629.640.651.652.696.7 02.604.611.638.682.69 0.679.687	000-18306-400-0	CF RES. 18K J 1/8W T
R605.607.612.614.718. 719.629K.630K	000-33206-400-0	CF RES. 3K3 J 1/8W T
R606.613.742.743.748. 749.624K	000-10406-400-0	CF RES. 100K J 1/8W T
R621.631.642	000-24306-400-0	CF RES. 24K J 1/8W T
R623.624.633.634.656. 657.680.688	000-68306-400-0	CF RES. 68K J 1/8W T
R625.626.635.636.646. 647.658.659.669.668.6 76.677.684.685.692.69 3.681.689.625K	000-75006-400-0	CF RES 75 J 1/8W T
R626K.607K-610K	000-75006-400-1	
R632K.633K	000-36206-400-0	CF RES 3K6 J 1/8W T
R635K.637K.639K.641 K	000-33306-400-0	CF RES. 33K J 1/8W T
R644.645.664.674.654. 741.747.757.758	000-47206-400-0	CF RES 4.7K J 1/8W T
R648.649	000-27306-400-0	CF RES. 27K J 1/8W T
R660.670.737.738.739. 740.272A.272B.374.37 5.376.634K.636K.638K. 640K	000-22206-400-0	CF RES. 2K2 J 1/8W T
R661.671.709.714.603. 610	000-56206-400-0	CF RES. 5K6 J 1/8W T
R662.672.713.717.305 K.306K.308K.678.686. 603K.604K.759.761	000-10306-400-1	
R663.673.710.715	000-22106-400-0	CF RES. 220 J 1/8W T
R665.675	000-12306-400-0	CF RES. 12K J 1/8W T
R695.701	000-22306-400-0	CF RES. 22K J 1/8W T
R697.703.666.667.745. 751	000-56306-400-0	CF RES.56K J 1/8W T
R698.704.508MA.MB	000-10126-400-0	CF RES. 100 J 0.25W T

**CHANNEL 9/10-15/16 & MASTER PCB- PART LIST**

<b>Ref.</b>	<b>Phonic. Part No.</b>	<b>Specifications</b>
R706.707	000-10026-400-0	CF RES. 10 J 0.25W T
R706.713.247.248.609 K.748.749	030-10638-0A0-2	
R711.716	000-10006-400-0	CF RES. 10 J 1/8W T
R720	000-10226-400-0	CF RES. 1K J 0.25W T
R723.724.728.729	000-47306-400-0	CF RES. 47K J 1/8W T
R730	000-39306-400-0	CF RES. 39K J 1/8W T
R731-736	000-15106-400-0	CF RES.150J 1/8W T
R744.750.615.616.621 K	000-27206-400-0	CF RES. 2K7 J 1/8W T
R746.752	000-82206-400-0	CF RES. 8K2 J 1/8W T
R753.754.755.756	000-91206-400-0	CF RES. 9K1 J 1/8W T
R760.762	000-15206-400-0	CF RES. 1K5 J 1/8W T
R763 764	000-15306-400-0	CF RES. 15K J 1/8W T
R763A.765	000-33226-400-0	CF RES. 3K3 J 0.25W T
R764A.766	000-10326-400-0	CF RES. 10K J 0.25W T
R767.768	000-82126-400-0	CF RES. 820 J 0.25W T
R769.770.623K	000-10106-400-0	CF RES. 100 J 1/8W T
SW201-206.301-305.60 1-606.608	210-02201-440-0	PSH/SW 2P2T SFPC12MC03-PF
SW904	210-16000-000-0	ENCODER SDB161PVB20F-1-4-16PC
U201-208.301-304.603- 611.613.615	160-00007-510-0	IC NJM2068L JRC
U601.602	160-00002-300-0	IC M5229P MITSUBISHI
U612	160-00018-000-0	IC NJM4556AL JRC
U614	160-00018-200-0	IC BA6822S
VR201.210	023-50350-011-0	D.ROT/VR 50KC 30MM P
VR202.203.204.208.21 1.212.213.217	023-50350-001-0	D.ROT/VR 50KB(C.C) 30MM P
VR209.218.615-619	027-10326-011-0	D.SLD/VR 10KA*2 L=15MM 60MM P
VR601-614	027-20372-010-0	D.SLD/VR 20KW*2 20MM P
VR620-623.205.206.20 7.214.215.216.301-307	023-20350-001-0	D.ROT/VR 20KA 30MM P

**EFFECT PROCESSOR & SPEAKER OUT & POWER SWITCH & HEADPHONES PCB-PART LIST**

<b>Ref.</b>	<b>Phonic. Part No.</b>	<b>Specifications</b>
	290-61860-303-0	POD1860II/1840/2280 D.S.P PCB
BC1-16.18-22.C2.3.7.2 2.24	042-10426-050-0	C/C2 0.1MF M 50V 5 T
BP1	211-09261-000-0	26P B.E/S 2600S-26G2
C1.10.13.15.16.21.23	030-10636-0A0-0	E/C 10MF M 25V 5*11 T
C11.12	042-22225-050-0	C/C2 0.0022MF K 50V 5 T
C17.18.19	042-33024-050-0	C/C2 33PF J 50V 5 T
C20	030-10556-0A0-0	E/C 1MF M 50V 5*11 T
C5.6.9	030-22636-0A0-0	E/C 22MF 25V Z 5*11 T
CN104	211-10021-161-0	2P WAFER/S TJC3-2A P=2.5MM 180DEGREE
CN105.103	211-10031-171-0	3P WAFER/S TJC3-3A PH=2.5MM 180DEGREE
CR1.2	090-02000-020-0	DIODE 1N4148 T
D1	090-00000-020-0	DIODE 1N4001 SILITEK T
F1*2	281-00000-020-0	FUSE CLIP FH-1206
GND	610-30301-001-0	TOOTH WAS. D3*D8*1 NI
JK609	211-01602-560-0	6D4/J YLJ-6405-300 (NUT&WASHER)
JK901.902	211-03400-021-0	SPEAKON/J SVP563S-CH
L1.2.3.X1	382-20012-510-0	TINNER WIRE 12.5MM D0.6
MC1	058-68325-100-0	MEX-683K 0.068MF/250V 18*13.5 P=15
Q1.2.15	120-00004-600-0	TRAN. 2SC1740 LN-R ROHM
Q17.18	121-00000-200-0	TRAN. 2SA1015 GR TOSHIBA
R1.17	000-10406-400-0	CF RES. 100K J 1/8W T
R13	000-33406-400-0	CF RES 330K J 1/8W T
R14.22.36.53.54.58-61. 63.64	000-10306-400-0	CF RES. 10K J 1/8W T
R18	000-47706-400-0	CF RES 4.7 J 1/8W T
R2	000-22706-400-0	CF RES 2.2 J 1/8W T
R3.4.11.12.15.35	000-10206-400-0	CF RES. 1K J 1/8W T
R37	000-47306-400-0	CF RES. 47K J 1/8W T
R38	000-33206-400-0	CF RES. 3K3 J 1/8W T



**EFFECT PROCESSOR & SPEAKER OUT & POWER SWITCH & HEADPHONES PCB-PART LIST**

<b>Ref.</b>	<b>Phonic. Part No.</b>	<b>Specifications</b>
R39.40	000-22406-400-0	CF RES. 220K J 1/8W T
R5.6	000-22206-400-0	CF RES. 2K2 J 1/8W T
R55.56	000-47206-400-0	CF RES 4.7K J 1/8W T
R57	000-56126-400-0	CF RES. 560 J 0.25W T
R62	000-10006-400-0	CF RES. 10 J 1/8W T
R66	000-22106-400-0	CF RES. 220 J 1/8W T
R66	382-20005-010-0	TINNER WIRE 5.0MM D0.6
R7.9	000-22306-400-0	CF RES. 22K J 1/8W T
R8.10.16	000-51106-400-0	CF RES. 510 J 1/8W T
RP1	017-08090-010-0	NETWORK RES. A8-332 J 9P 3.3K
SPK OUT	212-10041-190-0	4P WAFER/P 400MM UL1015#18 P=3.96
SW1	210-02101-030-0	PSH/SW PA-03S-A1
U1	177-04022-000-0	IC AK4522A-VF VSOP AKM
U10	171-00000-310-0	CMOS IC HD74HC74P HITACHI
U11	170-00007-000-0	TTL IC 74HC393 SMD
U12	171-00000-220-0	CMOS IC HD74HC04N (SMT)
U2	177-01004-700-0	IC BS62LV1024SC-70 SOP BSI
U3	177-04013-000-0	CHIP ART FX DSP2 84P JAPAN 100-1365-102
U4	177-01003-510-0	IC M27C512-12 SINGAPORE WINBOND
U4	211-11282-001-0	IC/S 28P 17*35MM
U5	171-00002-900-0	CMOS IC PC74HC374P
U6	171-00002-800-0	CMOS IC PC74HC30P
U8	177-02000-301-0	GAL IC 16V8D-15 LP LATTICE
U8	211-11202-002-0	IC/S 20P 9.8*25MM
U9	171-00003-500-0	CMOS IC 74HC14 HITACHI
X1	300-24572-000-0	CRYSTAL HC-49/U 24.576MHZ

**POWER AMPLIFIER VR & SWITCH & FOOT SWITCH PCB - PART LIST**

<b>Ref.</b>	<b>Phonic Part No.</b>	<b>Specifications</b>
	290-61860-201-0	POD1860II/1840 AMP SW PCB C+D+E
	382-20005-010-0	TINNER WIRE 5.0MM D0.6
	382-20007-510-0	TINNER WIRE 7.5MM D0.6
	382-20010-010-0	TINNER WIRE 10MM D0.6
C901.905	032-22626-0A0-0	NP E/C 22MF M 16V 5*11 T
C902.907	042-47024-050-0	C/C2 47PF J 50V 5 T
C903.904	046-10304-060-0	M/C 0.01MF J 50V 5 T
C906.908	032-47626-0A0-0	NP E/C 47MF M 16V 6*11 T
C909.910	042-22124-050-0	C/C2 220PF J 50V 5 T
CN106	211-10091-130-0	9P WAFER/S 2532-09 PH=2.5MM 180DEGREE
CN107	211-10061-180-0	6P WAFER/S A2501WV2-6P 180DEGREE
JK612	211-01602-380-0	6D3/J (SCJ-0658-Y)
JP104	212-10023-120-0	2P WAFER/P 480MM UL1007#26
JP105	212-10032-500-0	3P WAFER/P UL1007#24 PH=2.5MM 460MM
R901.905	000-24206-400-0	CF RES 2K4 J 1/8W T
R902.904.906	000-33206-400-0	CF RES. 3K3 J 1/8W T
R903.907	000-10006-400-0	CF RES. 10 J 1/8W T
R908.909	000-10306-400-0	CF RES. 10K J 1/8W T
SW607.902	210-60001-000-0	SLD/SW SLD-43-10
U901	160-00007-510-0	IC NJM2068L JRC
VR901.902	022-10320-203-0	S.ROT/VR 10KB L=17.5MM

**POWER AMPLIFIER PCB - PART LIST**

<b>Ref.</b>	<b>Phonic. Part No.</b>	<b>Specifications</b>
	211-10044-040-0	4P WAFER/S A3963WV2-4P
	290-01300-503-0	POD1860II/1840 PWR_AMP PCB (E)
	379-02181-101-0	M.WIRE UL1007 #24 180MM BLK
	379-02181-141-6	M.WIRE UL1007#24 180MM GRN
	379-02181-191-0	M.WIRE UL1007 #24 180MM WHT
	382-20005-010-0	TINNER WIRE 5.0MM D0.6
	382-20010-010-0	TINNER WIRE 10MM D0.6
	382-20012-510-0	TINNER WIRE 12.5MM D0.6
	382-20012-510-0	TINNER WIRE 12.5MM D0.6
(UP02 03)*1 QP02 UP01)*1	526-10050-110-0	TRAN. HEATSINK MAR2
C501A.501B.521A.521 B	030-47686-0A0-0	E/C 47MF M 100V 10*17 T
C503A.503B.507A.507 B.519A.519B.522A.522 B	046-10414-060-0	M/C 0.1MF J 100V 5 T
C504A.504B.520A.520 B	042-471A5-050-0	C/C2 470P K 250V 5T
C505A.505B	042-22124-050-0	C/C2 220PF J 50V 5 T
C506A.506B.518A.518 B	042-101A6-050-0	C/C2 100PF M 250V 5 T
C508A.508B.514A.514 B	030-10736-0A0-0	E/C 100MF M 25V 8*11 T
C509A.B,C517A.B	046-10304-060-0	M/C 0.01MF J 50V 5 T
C510A.510B	046-10204-060-0	M/C 0.001MF J 50V 5 T
C511A.511B.516A.516 B.CP14	030-10728-0A0-0	
C512A.512B	030-10626-0A0-0	E/C 10MF M 16V 5*11 T
C513A.513B	032-10625-0A0-0	NP E/C 10MF K 16V 6.3*11 T
C515A.515B	042-18044-050-0	C/C2 18PF J 100V 5 T
C523A.523B	046-68314-060-0	M/C 0.068MF J 100V T
C524A.524B	042-20124-050-0	C/C2 200PF J 50V 5 T
C525A.525B	042-391A4-050-0	C/C2 390PF J 250V 5 T

## POWER AMPLIFIER PCB - PART LIST

Ref.	Phonic. Part No.	Specifications
C526A.526B	042-102A5-050-0	C/C2 0.001UF K 250V 5T
C527A.527B	042-03020-000-0	C/C2 3PF C 50V 5
C528A.528B.529A.529 B	042-10124-050-0	C/C2 100PF J 50V T
C530A.530B	042-103A6-000-0	C/C2 0.01MF M 250V 5
CN608	211-10151-090-0	15P WAFER/S 2532-15 P=2.5MM
CNP1	211-10084-020-0	8P WAFER/S 396108 180 P=3.96MM
CNP2.2A	211-10021-150-0	2P WAFER/S 5267 A2505 WV P=2.5MM 180DEGREE
CP01.02	030-47888-032-0	E/C 4700MF/100V 35*40MM
CP03.04	030-33866-030-0	E/C 3300UF M 63V 25*30 P
CP05	030-10768-0A0-0	E/C 100MF Z 63V 10*17 T
CP07.08.09	030-47538-0A0-0	E/C 4.7MF Z 25V 5*11 T
CP11.12	030-22728-0A0-0	E/C 220MF Z 16V 8*11 T
CP13	042-47124-050-0	C/C2 470PF J 50V 5 T
CP15.16	030-10846-000-0	E/C 1000MF M 35V 10*21 T
CP17.19	030-47658-0A0-0	E/C 47MF Z 50V 8*11 T
CP18	030-47628-0A0-0	E/C 47MF Z 16V 5*11 T
CP20.21	030-33789-000-0	E/C 330MF B 100V 16*25 P
D501A.501B.506A.506 B.507A.507B.510A.510 B.516A.516B.517A.517 B.519A.519B.DP03-06	090-02000-020-0	DIODE 1N4148 T
D502A.502B.520A.520 B.DZP03	090-01682-000-0	ZEN/DIODE 6.8V J0.5W UNIZO
D503A.B,511A.B,513A. B,514A.B,DP01.02.07.0 8.09.10.11	090-00007-020-0	DIODE IN4004 SILTEK T
D505A.B,515A.B	090-02004-000-0	DIODE 1N4935 T
D508A.B,518A.B	090-00017-000-0	DIODE LT6A04
D509A.B	090-01123-010-0	Z/DIODE 12V K 0.5W UNIZON
D512A.B	090-01822-000-0	ZEN DIODE 8.2V J 0.5W
D521A.521B.522A.522 B	090-00016-000-0	DIODE 1N5404

**POWER AMPLIFIER PCB - PART LIST**

<b>Ref.</b>	<b>Phonic. Part No.</b>	<b>Specifications</b>
DBP01	090-10008-100-0	B/DIODE KBPC 3506W
DBP02.04	090-10009-000-0	B/DIODE PBU805
DBP03	090-10000-000-0	B/DIODE PB154
DZP02.05	090-01273-010-0	ZEN/DIODE 27V K 0.5W
DZP04	090-01513-110-0	Z/D10DE 51V 1W MOTOROLA
F2*2.F3*2	281-00000-020-0	FUSE CLIP FH-1206
G_LED	315-00017-000-0	GND LUG PC250
HEAT SINK & AMP*2	615-20087-620-0	PC BOSS MC-5
HEAT SINK & PCB*5	615-10022-630-0	BOSS 5+5
IC501A.501B	160-00021-900-0	IC NJM5534D JRC
JP02.03.Q501A.501B.5 03A.503B.508A.508B.5 14A.514B.515A.515B. QP02.speakon*6 UP01	610-60301-006-0	SPR .WAS. D3*D5*1 NI
KP01	076-02422-010-0	RELAY OSA-SH-224DM3M
L501A.501B	075-10082-100-0	INDUCTANCE 1UH K M
PCB*5	610-00301-018-0	FIBER WAS. D3.0*8*1
POWER*1	526-20038-010-0	POWER HEAT SINK POWERPOD1860
Q501.501B.503A.503B. 514A.514B.515A.515B. 508A.508B.P02.P08.U P01.UP02.UP03	590-43010-100-0	M/E PAN SCR. M3.0*10 NI
Q501A 501B 503A.503B.514A.514B. 515A.515B.QP02.UP01 .02.03.	314-00000-050-0	BUSHES 602S(V.0)180DEGREE
Q501A.501B.503A.503 B.515A.515B.508A.508 B.UP01.02.03.QP02	313-00000-000-0	TRANSISTOR WASHER TO-220
Q501A.501B.515A.515 B	122-00002-400-0	MOSFET RFP 50N06
Q502A.B,510A.B,516A. B,QP05	121-00000-200-0	TRAN. 2SA1015 GR TOSHIBA
Q503A.503B	120-00009-500-0	TRAN 2SC4793-M TOSHIBA
Q504A.504B	121-00006-100-0	TRAN MJE350 MOTOROLA
Q505A.B	120-00001-400-0	TRAN. 2N5551 MOTOROLA

**POWER AMPLIFIER PCB - PART LIST**

<b>Ref.</b>	<b>Phonic. Part No.</b>	<b>Specifications</b>
Q506A.506B	120-00009-400-0	TRAN 2SC3264-Y
Q506A.B*4;Q511A.B*4	590-43014-200-0	M/E PAN SCR M3*14 BLK
Q507A.507B	120-00009-700-0	TRAN. BC546B PHILIPS (BC550)
Q508A.508B.QP08	120-00008-800-0	TRAN MJE802 MOTOROLA
Q509A.509B	121-00007-500-0	TRAN. BC556B PHILIPS (BC560)
Q511A*2.Q511B*2.Q50 6A*2.Q506B*2.Q508A* 1 Q508B*1.Q902*1	610-00204-500-0	PLA WAS D3*D8*0.5 NI
Q511A*2.Q511B*2.Q50 6A*2.Q506B*2.Q908*1. ? 贖祛)關*2 FIX RTP01	610-60301-006-1	
Q511A.511B	121-00007-000-0	TRAN 2SA1295-Y
Q512A.B	121-00000-300-0	TRAN. 2N5401 MOTOROLA
Q513A.513B.QP02	120-00005-000-0	TRAN MJE340 MOTOROLA
Q514A.B	121-00007-200-0	TRAN 2SA1837-M TOSHIBA
Q515A.515B.501A.501 B.VP01.03	610-00300-501-0	PLA. WAS. D3.0*D7.0*0.5 NI
QP01	122-00000-200-0	FET 2SK30A-GR TOSHIBA
QP03.04.06.07.09	120-00000-800-0	TRAN. 2SC1815 GR TOSHIBA
QP08*1	600-00302-010-0	HEX. NUT M3.0*2.0 NI
R 515A.B;533A.B	000-10136-400-0	CF RES. 100 J 0.5W T
R501A.501B.543A.543 B.	000-33026-400-0	CF RES. 33 J 0.25W T
R502A.502B.512A.512 B.516A.516B.517A.517 B .521A.B	000-10226-400-0	CF RES. 1K J 0.25W T
R503A.B;527A.B	000-15336-400-0	CF RES. 15K J 0.5W T
R504A.504B.507A.507 B.539A.539B	000-51026-400-0	CF RES. 51 J 0.25W T
R505A.505B.541A.541 B	000-82126-400-0	CF RES. 820 J 0.25W T
R506A.506B.542A.542 B	000-68026-400-0	CF RES. 68 J 0.25W T

<b>Ref.</b>	<b>Phonic. Part No.</b>	<b>Specifications</b>
R508A.508B.509A.509. 532A.532B.534A.534B. 540A.540B	000-10326-400-0	CF RES. 10K J 0.25W T
R510A.B	000-10026-400-0	CF RES. 10 J 0.25W T
R511A.511B.537A.537 B	000-47736-400-0	CF RES.4.7 1/2WT
R513A.513B.518A.518 B.531A.531B.536A.536 B.549A.549B.550A.550 B.RP09	000-22226-400-0	CF RES. 2K2 J 0.25W T
R514A.514B.523A.523 B.RP15-18	000-39226-400-0	CF RES. 3K9 J 0.25W T
R519A.519B	006-53012-440-0	MF RES. 5.3K F 0.25W T
R520A.B,529A.B	003-10093-600-0	CE MENT 0.1 5W J
R522A.522B.526A.526 B	000-20326-400-0	CF RES. 20K J 0.25W T
R524A.524B.530A.530 B	000-10426-400-0	CF RES. 100K J 0.25W T
R525A.525B	000-15426-400-0	CF RES. 150K J 0.25W T
R528A.528B	000-33326-400-0	CF RES. 33K J 0.25W T
R535A.535B.RP23	000-33126-400-0	CF RES. 330 J 0.25W T
R538A.538B R54	000-30326-400-0	CF RES. 30K J 0.25W T

**POWER AMPLIFIER PCB - PART LIST**

<b>Ref.</b>	<b>Phonic. Part No.</b>	<b>Specifications</b>
RP22	000-12126-400-0	CF RES. 120 J 0.25W T
RP25	000-24236-400-0	CF RES 2.4KJ 1/2W T
RTP01	011-10020-001-0	THERMISTER NSA05C310-301
THERMAL SWITCH/HEAT SINK/PCB*11 FIX RTP01	590-43006-100-0	M/E PAN SCR. M3.0*6 NI
THP01	210-10090-001-0	TMP/SW US-602SXRFC
THP01	211-10021-161-0	2P WAFER/S TJC3-2A P=2.5MM 180DEGREE
THP01(POWER_AMP) *1	212-10023-250-0	2P WAFER/P 200mm UL1007#22 P=2.5MM
TRAN(QP08)*1	526-20001-110-0	HEAT SINK BLK 19*13*12 L=19MM
UP01	160-00005-909-0	IC 7815
UP02	160-00002-909-0	IC 7915
UP03	160-00004-114-0	IC UPC7805H NEC (KIA)
VRP501A.501B	020-47138-000-6	T/VR 470J T-085C-B470 0.5W
ZDP01	090-01223-000-0	Z/DIODE 22V 0.5W IN5251B



## MISCELLANEOUS ITEMS

Ref.	Phonic. Part No.	Specifications
	070-60018-800-0	X'MER 115V/230V 200W*2 POD1840
	347-00000-200-0	FAN SP802524H 24VDC
	347-00000-230-0	FAN SP401012H
	380-60026-001-0	M.WIRE UL1007#18 550MM BLK PC250
	510-60890-200-0	PANEL POD1840
	511-60460-100-0	BACK PANEL POD1840
	512-20530-220-0	LF SIDE PANEL POD1860 BLACK MATERIAL:ABS
	512-20540-220-0	RT SIDE PANEL POD1860 BLK MATERIAL:ABS
	518-20190-100-0	BOTTOM COVER POWERPOD1860
	524-20005-210-0	HANDLE POD1860 COLOR:BLACK
	525-00019-020-0	FEET D25*16 (FFT-3 )
	528-20011-100-0	FAN NET FG-04 POD1860
	550-20035-401-0	428*359.5*0.5MM
	551-20050-400-0	WIND BRKT POWERPOD1860
	551-20051-400-0	LF BRKT. POWERPOD1860
	551-20052-400-0	RT BRKT POWERPOD1860
	551-20053-420-0	BRACKET POWERPOD1860
	551-20055-400-0	BRACKET POWERPOD1860
	551-60017-000-0	HEAT SINK BRACKET LEFT
	551-60018-000-0	HEAT SINK BRACKET RIGHT
	553-60003-481-0	SHIELD PLATE SIZE:209.3*149.5*0.5
	560-60130-000-0	CARTON POD1840 SIZE:620*620*213MM A=B
	561-60113-100-0	G/B POD1840 SIZE:605*605*200MM
	562-24260-002-0	UP PULP PANEL POD1860 SIZE:474*584*180
	562-24270-002-0	DOWN PULP PANEL POD1860 SIZE:590*590*185

**MISCELLANEOUS ITEMS**

<b>Ref.</b>	<b>Phonic Part No.</b>	<b>Specifications</b>
	568-10064-000-0	PE BAG 850*650*0.05
	572-00000-050-0	DRYER 5g
	573-10124-010-0	GND LABEL MAR2
	573-60343-000-0	LABEL BLUE D=8mm
	573-60416-000-0	DSP LABEL MM1202XP
	574-6A094-011-0	OWN. MANU. POD1840/1860II
	579-00000-068-0	MINI CATALOG PHONIC SERIES
	610-20901-001-0	TOOTH WAS D9*12*1 NI
	615-60043-620-0	BOSS HP-12A M3.0*12.0
	630-20034-411-0	INSU 428*359.8*0.5MM TAPE
	630-60023-411-0	MYLAR TAPE PLATE SIZE: 154*97*0.5MM
	630-60025-410-0	MYLAR TAPE 152.6*92*0.4MM
ALL 60MM S/VR *15.LED*1	631-20033-000-0	HEMELON 85*22
ALL EQ VR *14	631-20032-000-0	HEMELON 36*10MM
BOT COV*2 E/C*2 TINPLATE*1	552-20048-420-0	ADHESIVE FIXED FW-5D-3M
CH13/14&CH15/16 LEVEL*2	540-60148-420-0	R/KNOB 12 WHT BODY+430C(GREY) CAP
CHASSIS(B)BACK *1 CHASSIS*1	630-20035-410-0	INSU 70*60MM TAPE
CHASSIS*1	553-20007-480-0	X'MER SHIELD PLATE(B) 218.9*187.6*0.2 T
CHASSIS*1	553-20008-480-0	X'MER SHIELD PLATE(C)187.4*184.7*0.2 T
DIGITAL BACK*1	630-20038-411-0	INSU 152.6*92*0.2MM
DISPLAY PCB*10	590-53008-100-0	M/E SET SCR. M3.0*8 NI
E/C 4700MF FOAMER	566-10015-010-0	SPONGE 40*10*5
EFFECT ON*1	542-60090-122-0	P/KNOB 9.5*5.5*8 LOW WHT
EFFECT*1	541-60009-220-0	S/KNOB BLK BODY+WHT POINT
FAN & FAN BRACET*4	590-53008-200-0	M/E SET SCR. M3.0*8 D=6 BLK
FEET*6	525-20006-000-0	FEET D10.8*3 (R1003)

**MISCELLANEOUS ITEMS**

<b>Ref.</b>	<b>Phonic Part No.</b>	<b>Specifications</b>
FIX PANEL&BACK PANEL*3.BACK PANEL & BOT COVER*43	590-53006-100-0	M/E SET SCR. M3.0*6 NI
FIX RCA JACK*1	591-43008-100-0	T/P PAN SCR. M3*8 NI
FIX X'MER BRKT*4	590-03006-200-0	M/E FLT SCR. M3.0*6 BLK
FIXED RCA JACK*1	591-43008-200-0	T/P PAN SCR. D3.0*8 BLK
FIXED XLR*16	591-03008-200-0	T/P FLT SCR. D3.0*8 BLK
FIXED BACKPCB*2 FIXED MUTE SW*2	552-10145-000-0	L-FIXED ZNW
FIXED CABLE TIE*23	321-00000-070-0	CABLE TIE HW-100MM
FIXED CAP & HANDLE *4,MAIN PCB TO BOSS*17,MYLAR PALTE TO PCB*1	590-53010-200-0	M/E SET SCR. M3.0*10 BLK
FIXED FEET *4,BRACKET*4	591-54012-200-0	T/P SET SCR. D4.0*12 BLK
FOAMER	566-20059-010-0	SPONGE 170*10*3MM TAPE
FOR CHANNEL SLIDE VR*10	541-20200-420-0	S/KNOB 25*13*9.4 WHT BODY+BLK POINT
FOR FAN BRACK	610-00300-502-0	PLA. WAS. D3.0*D7.0*0.5 BLK
FOR FAN*12	590-53018-100-0	M/E SET SCR. M3.0*18 NI
FOR LED*46	631-20029-000-0	HEMELON 10*10
FOR LITTER FAN*3 FOR BIG FAN*1	573-60162-000-0	FAN BLACK LABEL,D=22MM
FOR MONI1/MONI2*1	541-20200-520-0	S/KNOB 25*13*9.4 GRY(431C)BODY+WHT POINT
FOR MONO*1 MAIN MIX*1	541-20200-720-0	S/KNOB 25*13*9.4 GRY(432C)BODY+WHT POINT
FOR OWN MANU	568-00003-000-0	PE BAG #10 240*340*0.05
FOR SPEAKER JK	610-60300-701-0	PAN SPR WAS. D3.0*6*0.7 NI
FOR SPEAKER*4	590-03010-100-0	M/E FLT SCR M3.0*10 NI
GAIN*10, CTRL ROOM*1 ZONE2*1	540-60148-620-0	R/KNOB12 430C(GEY)BODY+491C(RED) CAP

## MISCELLANEOUS ITEMS

Ref.	Phonic Part No.	Specifications
GND	379-05630-151-0	M.WIRE UL1007 #18 63MM GRN
GND	600-00602-010-0	HEX. NUT M6.0*2.0 NI
GND*1	610-30600-601-0	TOOTH WAS. D6.0*D11*0.6 NI
GND*1	615-10001-130-0	EARTH BOSS 2+5 NI
GND*1	615-10002-130-0	EARTH BOSS 10+5 NI (EARTH BOSS)
HEAT SINK BRACKET*4, FIXED LF BRKT*2, FIXED RT BRKT*2. FIX FAN BRACKET&BOT COV*4	590-53006-200-0	M/E SET SCR. M3.0*6 BLK
HIGH/MID/LOW*30	540-60148-720-0	R/KNOB12 430C(GEY) BODY+647C(BLUE)CAP
L PANEL & GAIN PCB*2 DISPLAY*10	610-00301-018-0	FIBER WAS. D3.0*8*1
L/FIXED&GAIN PCB*2 FIXED MUTE SW*4	590-42605-100-0	M/E PAN SCR. M2.6*5 NI
L/R PANEL*10, CAP, PANEL*4	590-54006-200-0	M/E SET SCR. M4*6 BLK
LITTEL FAN	212-10022-200-0	2P WAFER/P 120MM
LOW CUT/PFL/MUTE*37 EQ ON*2 A/B*2 +48V*1	542-20300-121-0	P/KNOB 5.8*5.8*8 431C+WHT
LUG FOR GROUND*1	315-00005-000-0	LUG 6D
MONI1/2*26 EFFECT*10 TAPE*1	540-60148-520-0	R/KNOB 12.0 430C(GREY)BODY+WHT CAP
P/SW BACK PANEL*2	615-20023-630-0	BOSS 15+5
PANE TO BACK PANEL*3	591-53006-200-0	T/P SET SCR. M3.0*6 BLK
PANE&BAL*10	540-60148-920-0	R/KNOB12 430C(GRAY)BODY +432C(DEEP GRAY)CAP
PANEL*15	590-03008-200-0	M/E FLT SCR. M3.0*8 BLK D=6
PANEL*8	590-03008-100-0	M/E FLT SCR. M3.0*8 NI

**MISCELLANEOUS ITEMS**

<b>Ref.</b>	<b>Phonic Part No.</b>	<b>Specifications</b>
PANEL & MAIN PCB *23	615-20088-620-0	SPACER SUPPORT H-16
POWER SW*2	590-43006-100-0	M/E PAN SCR. M3.0*6 NI
POWER/SW*1	542-20150-120-0	P/KNOB 13.5*10.5*10.5H BLK
PROGRAM*1	540-20310-321-0	R/KNOB 430C BODY+491C CAP 13*18H
PWR-SW F1*1	518-20200-020-0	FUSE COV FH-IL POWERPOD1860
SELECTIVE VOLTAGE *1	618-14180-662-0	SPEC FIXED PIN SR-2 WHT
SPEAKER*4, FIXED MYLAR*3 FOR LITTER FAN*12 FOR MYLAR PLATE TO MAINPCB*1	600-00302-010-0	HEX. NUT M3.0*2.0 NI
TINPLATE DOWN	610-00352-016-0	FIBER WAS. D3.5*7*2 (RED)
TINPLATE- PCB BOSS*6	590-53012-200-0	M/E SET SCR. M3.0*12 BLK
TRANSFORMER	550-20036-400-0	CHASSIS (B) POWERPOD1860
	<b>S01-55000-000-0</b>	<b>POD1840 MATERIAL</b>
	510-60890-200-F	PANEL POD1840
	511-60460-100-F	BACK PANEL POD1840
	518-20190-100-F	BOT COV POD1840/1860II/2280
	551-20051-400-F	LF BRKT POD1840/1860II/2280
	551-20052-400-F	RT BRKT POD1840/1860II/2280

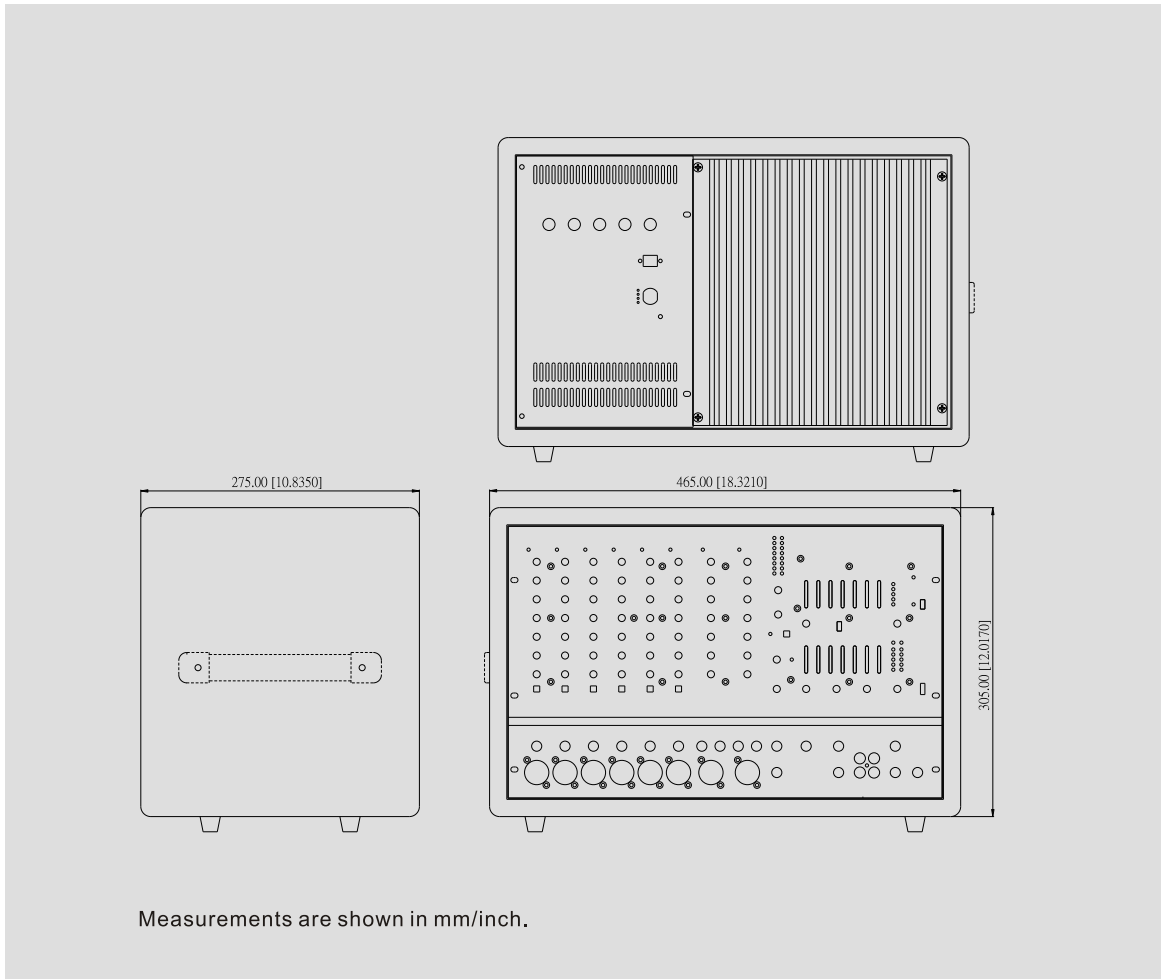
**POWER REQUIREMENT CLASSIFICATION**

<b>Ref.</b>	<b>Phonic. Part No.</b>	<b>Specifications</b>
<b><u>BS</u></b>		
	370-26640-432-6	P/CORD 250V/15A 2.5M 3P BS
	527-11000-000-0	STR.REL BUSHING 6W3-4 R (6N3-4)
	573-10032-010-0	POWER LABEL (ONLY USED IN BS)
	573-60240-000-0	BAR CODE LABEL PHONIC SERIES LABEL
F1	280-63263-000-0	FUSE 6.3A 250V VDE/CE S
F1	573-20321-010-0	FUSE LABEL PA410 T6.3AL 250V
F2.3	280-20263-000-0	FUSE T2A 250V VDE S
X'MER WIRE*3	307-00000-070-0	CORD CONNECTOR C5
<b><u>JIS</u></b>		
	370-24610-602-0	P/CORD 100V 12A 2.5M 1MM/2P JIS
	527-11000-000-0	STR.REL BUSHING 6W3-4 R (6N3-4)
	573-60240-000-0	BAR CODE LABEL PHONIC SERIES LABEL
F1	280-1036B-000-0	FUSE 10A 250V UL/CSA/JIS S
F1	573-60022-010-0	FUSE LABEL 10A 250V (12*2.5)
F2.3	280-2026B-001-0	FUSE 2A 250V UL/CSA/JIS S
X'MER WIRE*3	307-00000-070-0	CORD CONNECTOR C5
<b><u>SA</u></b>		
	370-15020-829-0	P/CORD 15A/250V 1.0MM*3 6F 3P
	527-11000-000-0	STR.REL BUSHING 6W3-4 R (6N3-4)
	573-20321-010-0	FUSE LABEL PA410 T6.3AL 250V
	573-60240-000-0	BAR CODE LABEL PHONIC SERIES LABEL
F1	280-63263-000-0	FUSE 6.3A 250V VDE/CE S
F2.3	280-20263-000-0	FUSE T2A 250V VDE S
X'MER WIRE*3	307-00000-070-0	CORD CONNECTOR C5

**POWER REQUIREMENT CLASSIFICATION**

<b>Ref.</b>	<b>Phonic. Part No.</b>	<b>Specifications</b>
<b><u>SAA</u></b>		
	370-12640-631-6	P/CORD 15A/250V 3P 2.5M (1.0)SAA
	527-11000-000-0	STR.REL BUSHING 6W3-4 R (6N3-4)
	573-60240-000-0	BAR CODE LABEL PHONIC SERIES LABEL
F1	280-63263-000-0	FUSE 6.3A 250V VDE/CE S
F1	573-20321-010-0	FUSE LABEL PA410 T6.3AL 250V
F2.3	280-20263-000-0	FUSE T2A 250V VDE S
X'MER WIRE*3	307-00000-070-0	CORD CONNECTOR C5
<b><u>UL</u></b>		
	370-08810-702-0	P/CORD 120V20A 2.5M 2.0MM/3PUL/CSA
	527-15000-000-0	STR.REL. BUSHING SB6R-6
	573-60240-000-0	BAR CODE LABEL PHONIC SERIES LABEL
F1	280-10366-000-0	FUSE T10A UL/CSA S 5*20
F1	573-60022-010-0	FUSE LABEL 10A 250V (12*2.5)
F2.3	280-2026B-001-0	FUSE 2A 250V UL/CSA/JIS S
X'MER MIRE*2	307-00000-000-0	CORD CONNECTOR HW-C4
<b><u>IEC</u></b>		
	370-23610-902-0	P/CORD 230V 15A 2.5M3P
	527-11000-000-0	STR.REL BUSHING 6W3-4 R (6N3-4)
	573-60240-000-0	BAR CODE LABEL PHONIC SERIES LABEL
F1	280-63263-000-0	FUSE 6.3A 250V VDE/CE S
F1	573-20321-010-0	FUSE LABEL PA410 T6.3AL 250V
F2.3	280-20263-000-0	FUSE T2A 250V VDE S
X'MER WIRE*3	307-00000-000-0	CORD CONNECTOR HW-C4

DIMENSIONS





**PHONIC**  
WWW.PHONIC.COM