

POWERED MIXER

POWERPOD **2280**

SERVICE MANUAL



PHONIC
www.phonic.com

POWERED MIXER

POWERPOD 2280**SERVICE MANUAL****CONTENTS**

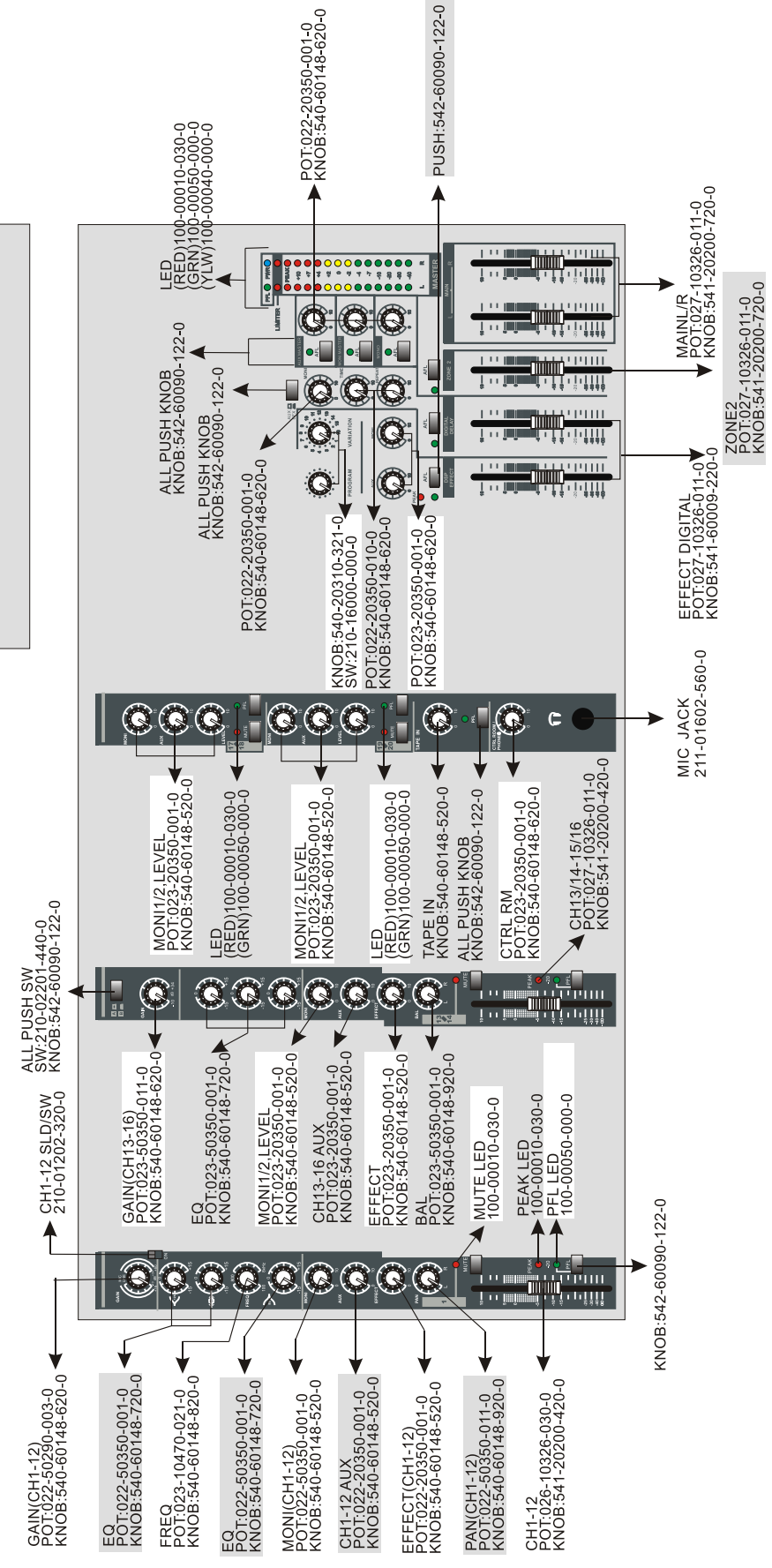
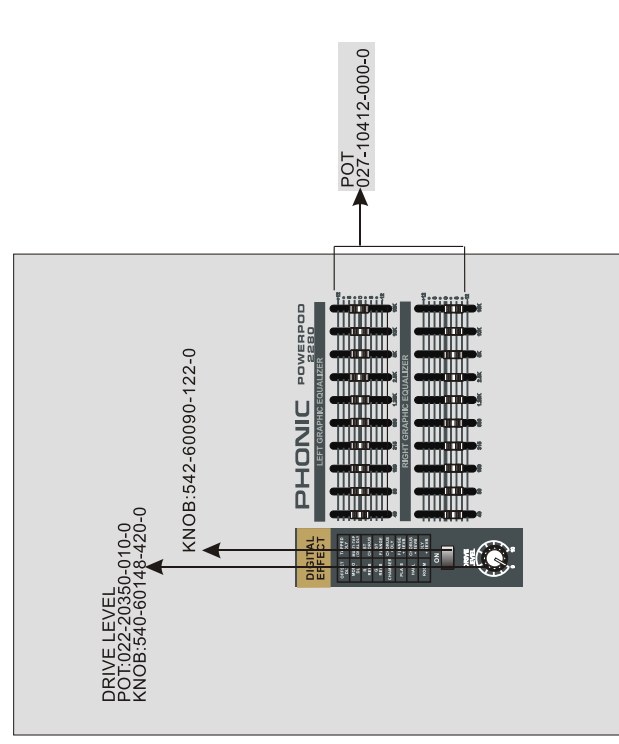
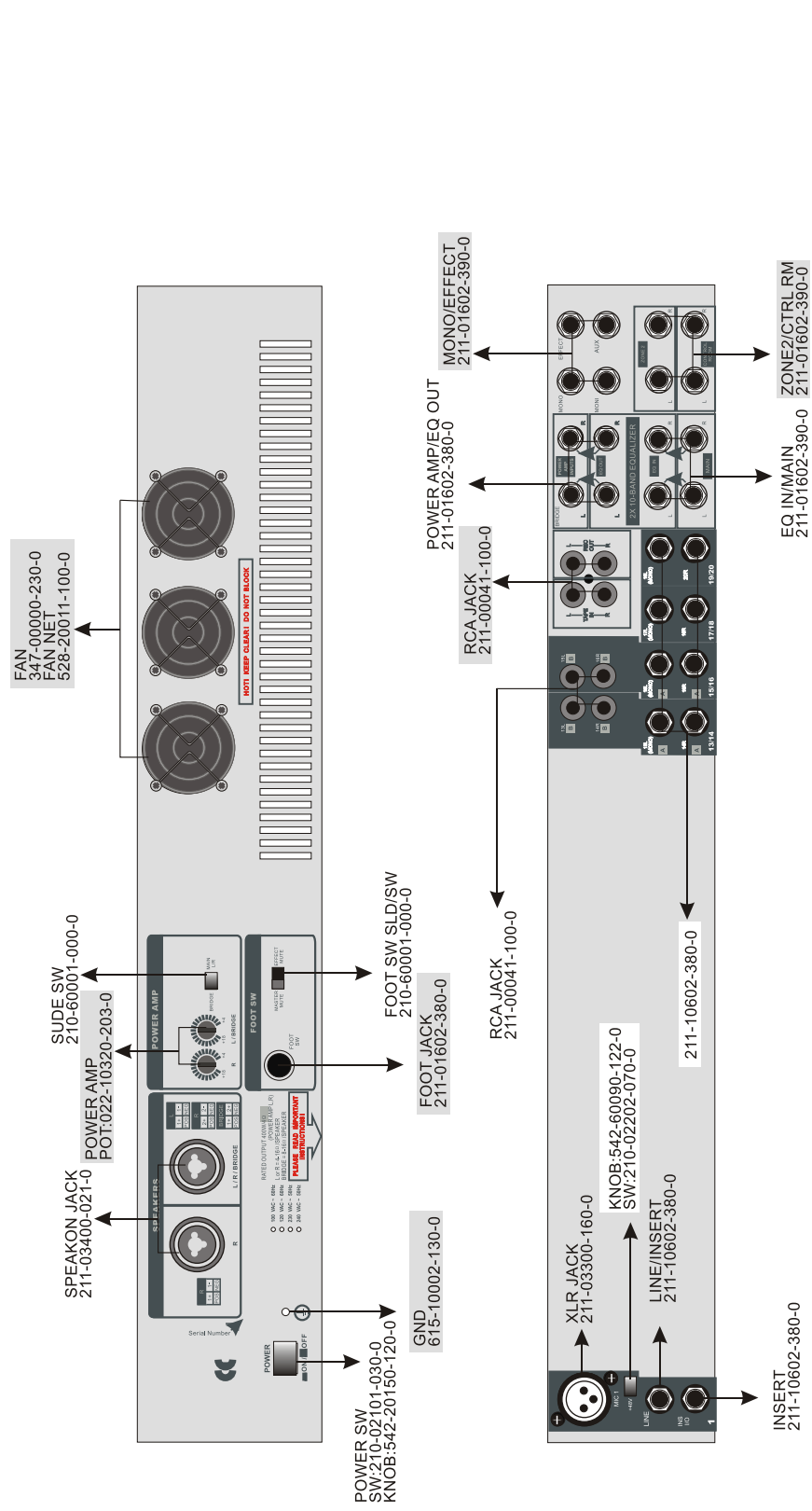
PANEL LAYOUT	3	EFFECT PROCESSOR SCHEMATIC(2-1).....	20
SYSTEM BLOCK DIAGRAM	4	EFFECT PROCESSOR SCHEMATIC(2-2).....	21
PCB		MAIN L/R OUTPUT & POWER AMPLIFIER VOLUME CONTROL & MODE SWITCH & FOOT SWITCH SCHEMATIC.....	22
CHANNEL 1~12 PCB(COMPONENT SIDE).....	5	POWER AMPLIFIER RIGHT CHANNEL SCHEMATIC..	23
CHANNEL 1~12 PCB(SOLDERING SIDE).....	6	POWER AMPLIFIER LEFT CHANNEL SCHEMATIC...	24
EFFECT PROCESSOR PCB	7	POWER SUPPLY SCHEMATIC.....	25
CHANNEL 13/14~19/20 & MASTER SECTION PCB(COMPONENT SIDE).....	8	MASTER SECTION OUTPUT SCHEMATIC.....	26
CHANNEL 13/14~19/20 & MASTER SECTION PCB(SOLDERING SIDE).....	9	MASTER LEVEL METER SCHEMATIC.....	27
POWER AMPLIFIER & POWER SUPPLY PCB.....	10	GRAPHIC EQ SCHEMATIC.....	28
POWER AMPLIFIER VOLUME CONTROL & MODE SWITCH & FOOT SWITCH PCB.....	11	VARIABLE DIGITAL DELAY SCHEMATIC.....	29
SPEAKER OUT & EFFECT NAME INDICATORS & POWER SWITCH & HEADPHONES PCB.....	12	PART LIST	
SCHEMATIC		CHANNEL 1-12 PCB- PART LIST.....	30
CHANNEL 1~12 SCHEMATIC.....	13	CHANNEL 13/14~19/20 & MASTER PCB- PART LIST...	35
CHANNEL 13/14~15/16 SCHEMATIC(2-1).....	14	POWER AMPLIFIER VR & SWITCH & FOOT SWITCH PCB - PART LIST.....	43
CHANNEL 13/14~15/16 SCHEMATIC(2-2).....	15	POWER AMPLIFIER PCB - PART LIST.....	44
CHANNEL 17/18~19/20 SCHEMATIC.....	16	EFFECT PROCESSOR & SPEAKER OUT & POWER SWITCH & HEADPHONES PCB- PART LIST.....	49
TAPE IN/OUT SCHEMATIC.....	17	MISCELLANEOUS ITEMS.....	51
CTRL RM & HEADPHONES SCHEMATIC.....	18	POWER REQUIREMENT CLASSIFICATION.....	56
EFFECT PROCESSOR CHANNEL & LIMITER SCHEMATIC.....	19	DIMENSIONS	58
		EXPLODED VIEW	59

Phonic reserves the right to improve or alter any information supplied within this document without prior notice.

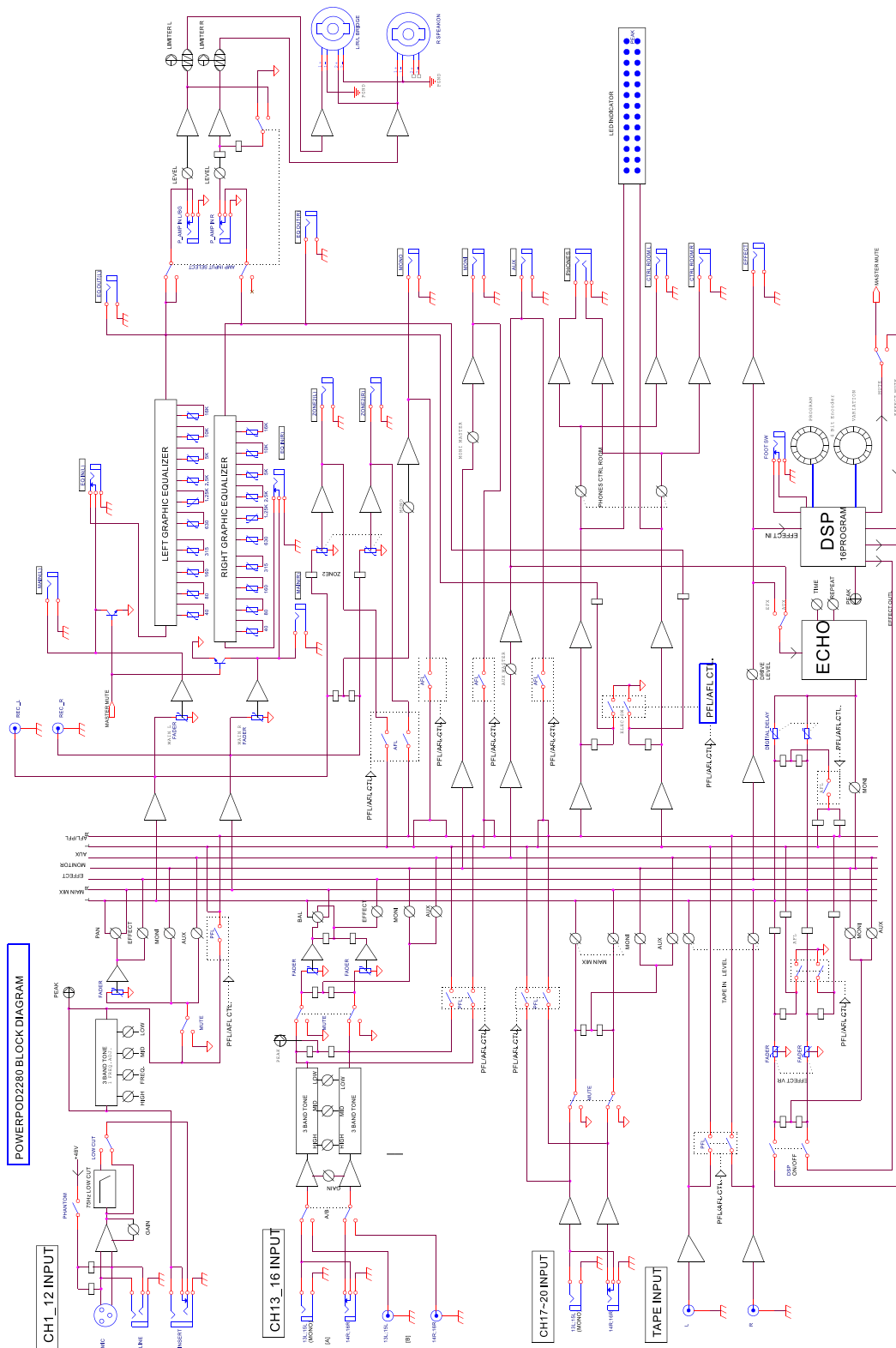
V2.1

Oct. 17,2002

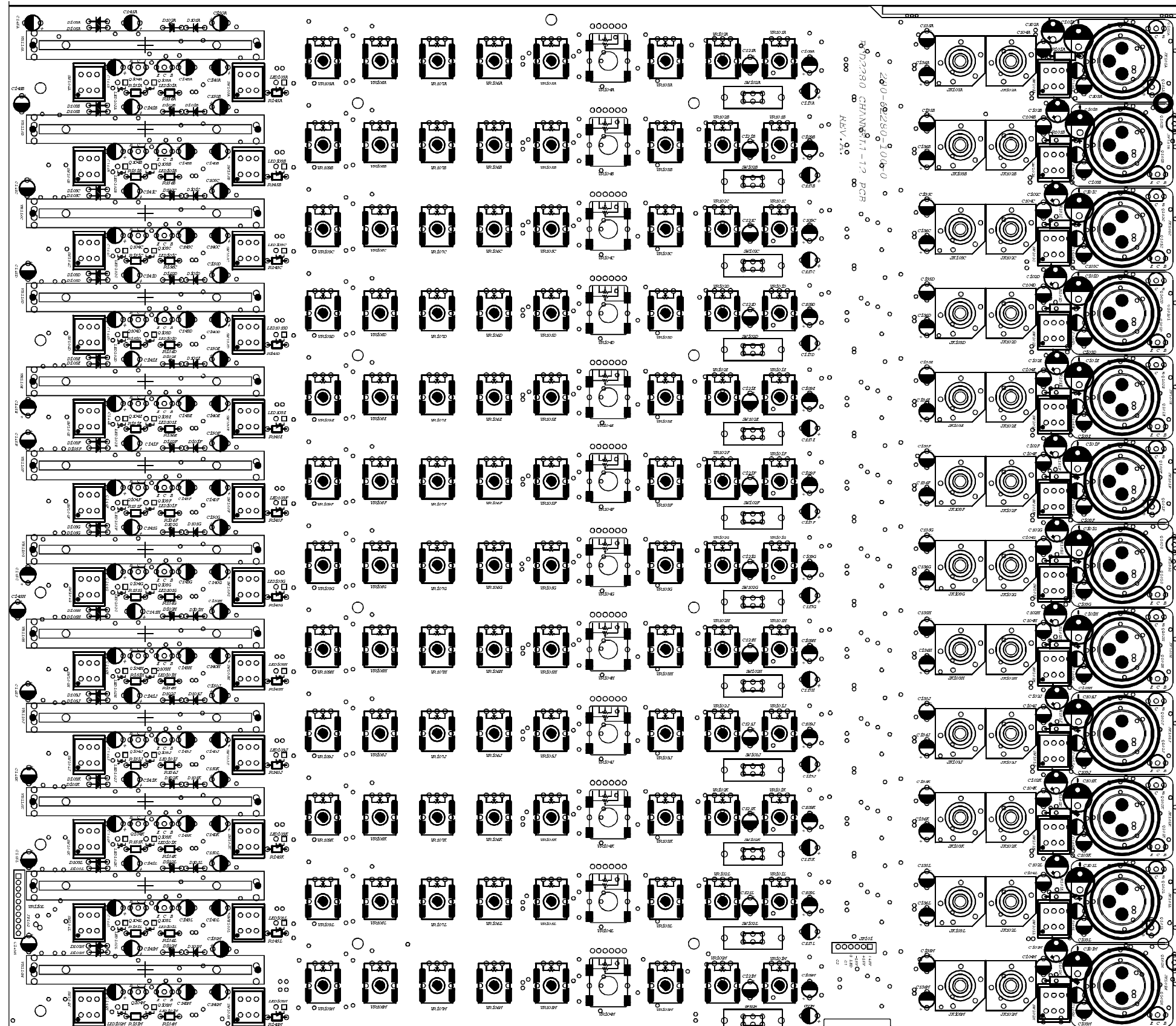
POWERPOD 2280



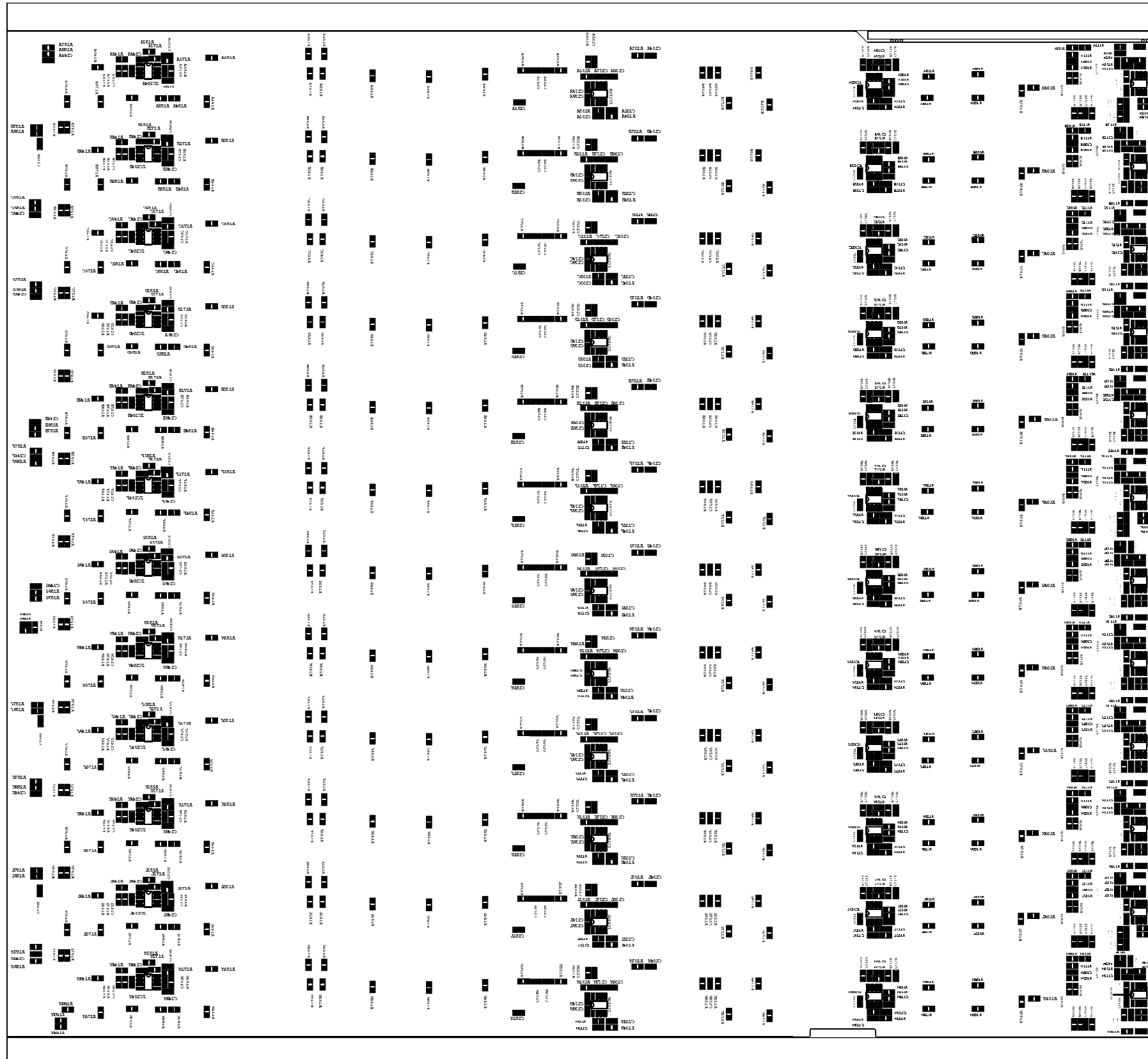
SYSTEM BLOCK DIAGRAM



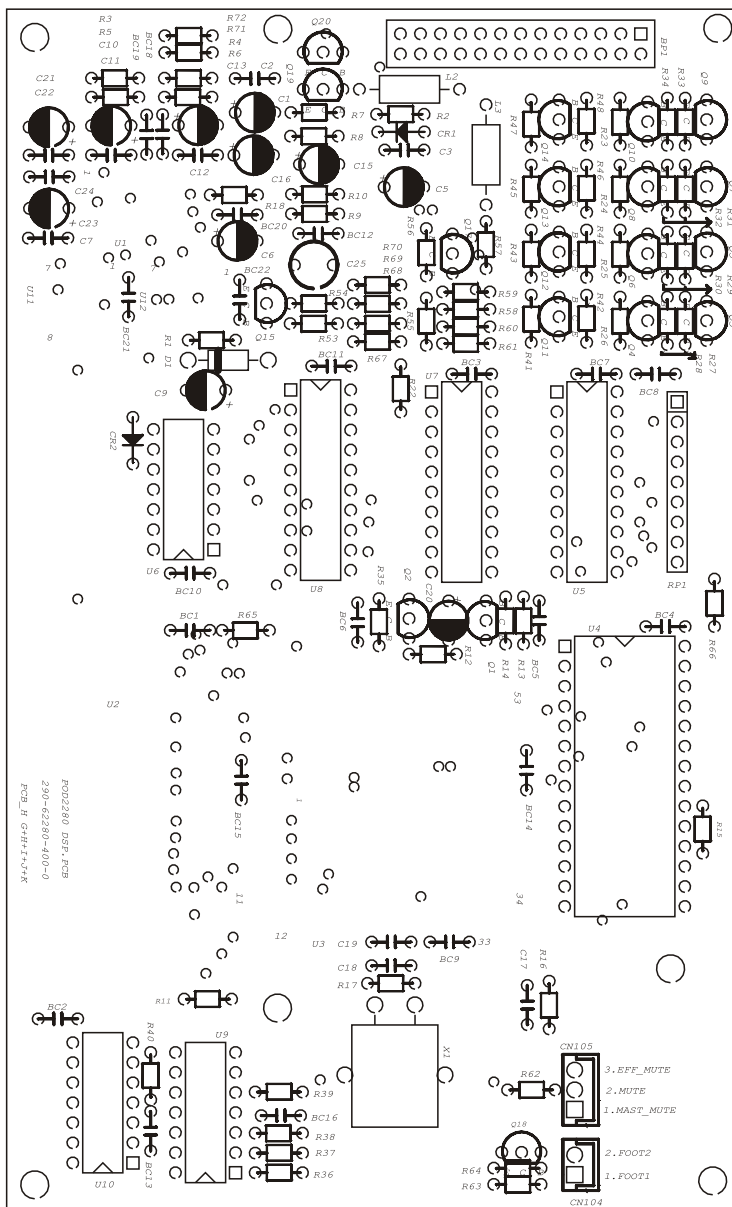
CHANNEL 1~12 PCB(COMPONENT SIDE)



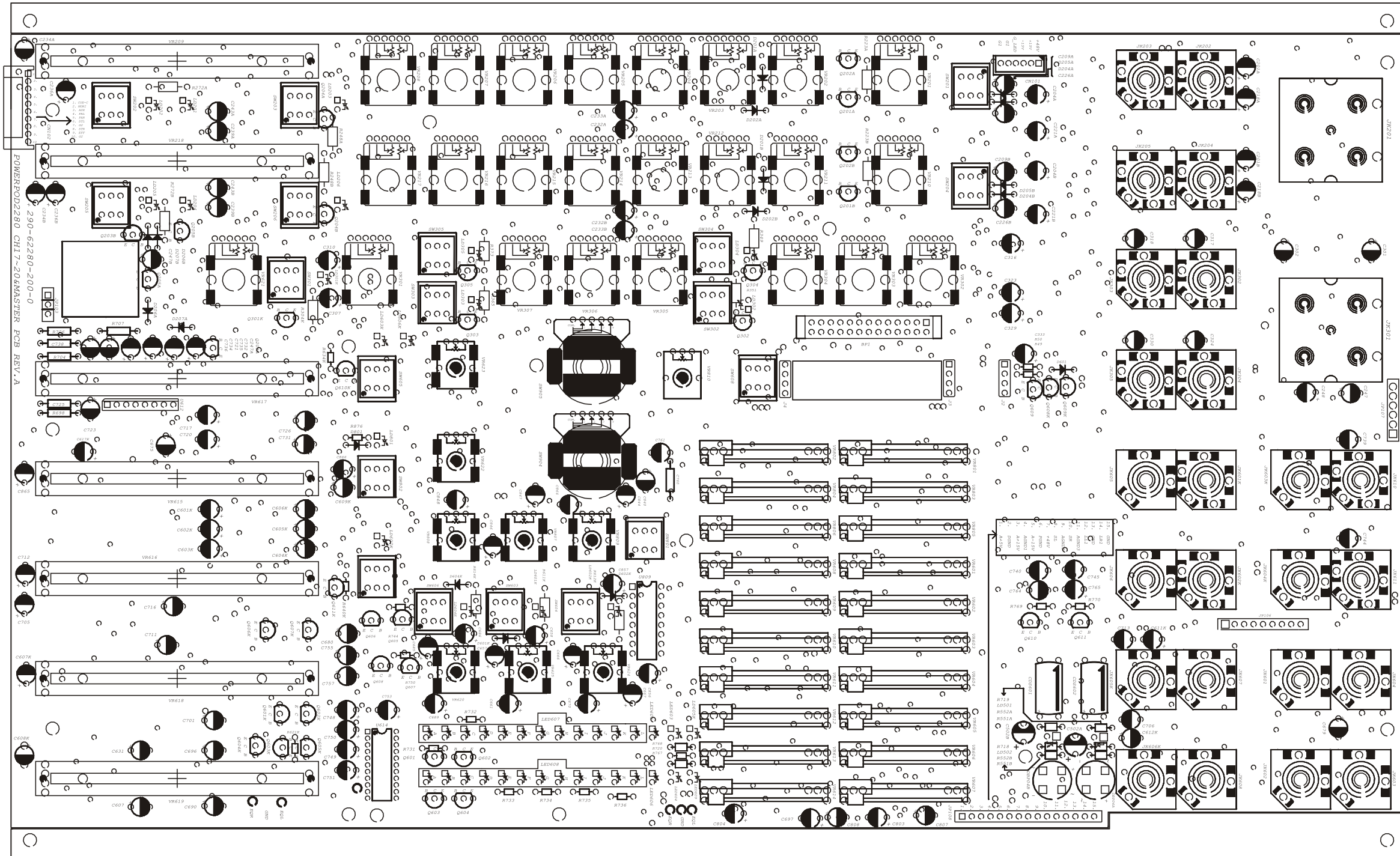
CHANNEL 1~12 PCB(SOLDERING SIDE)



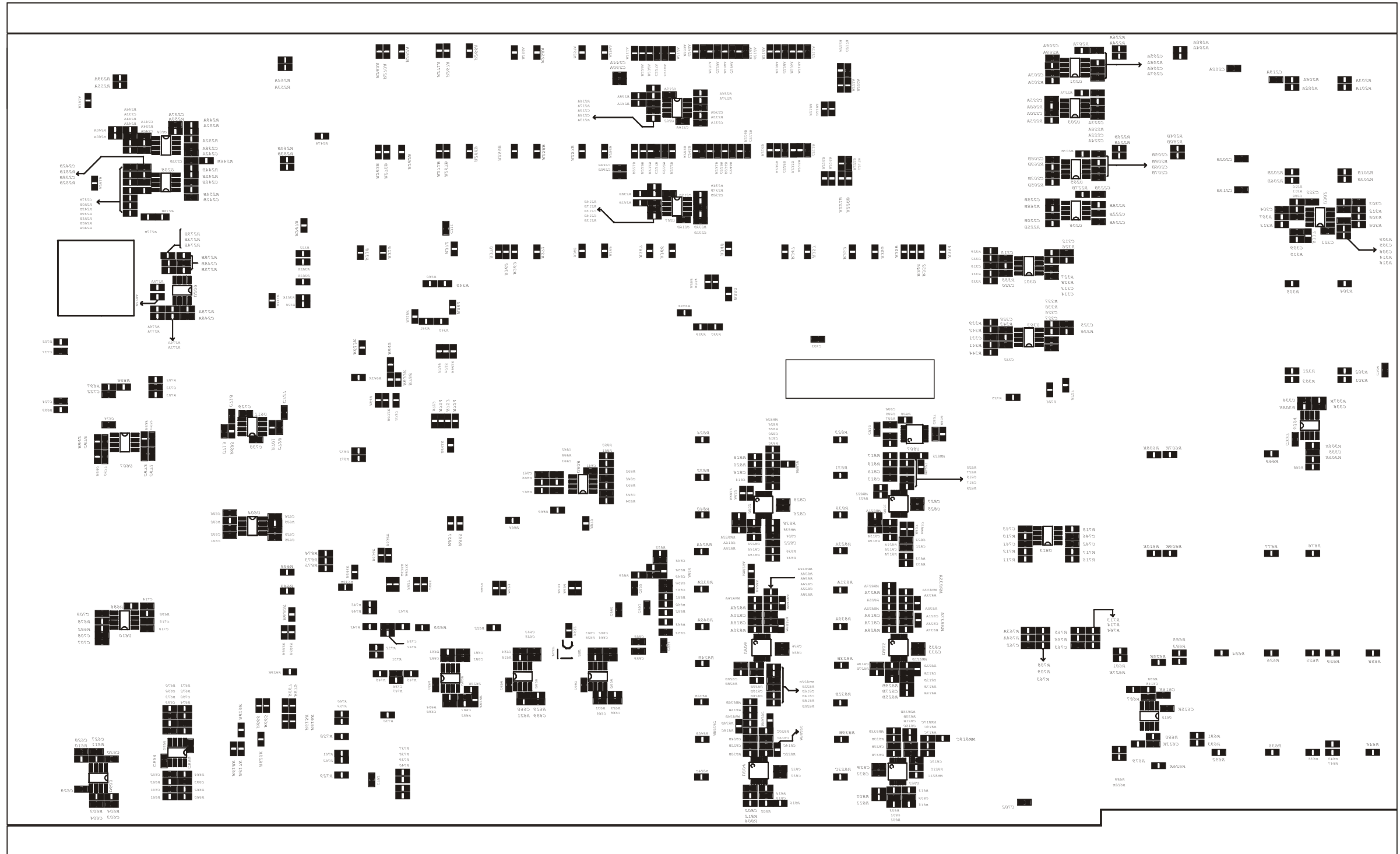
EFFECT PROCESSOR PCB



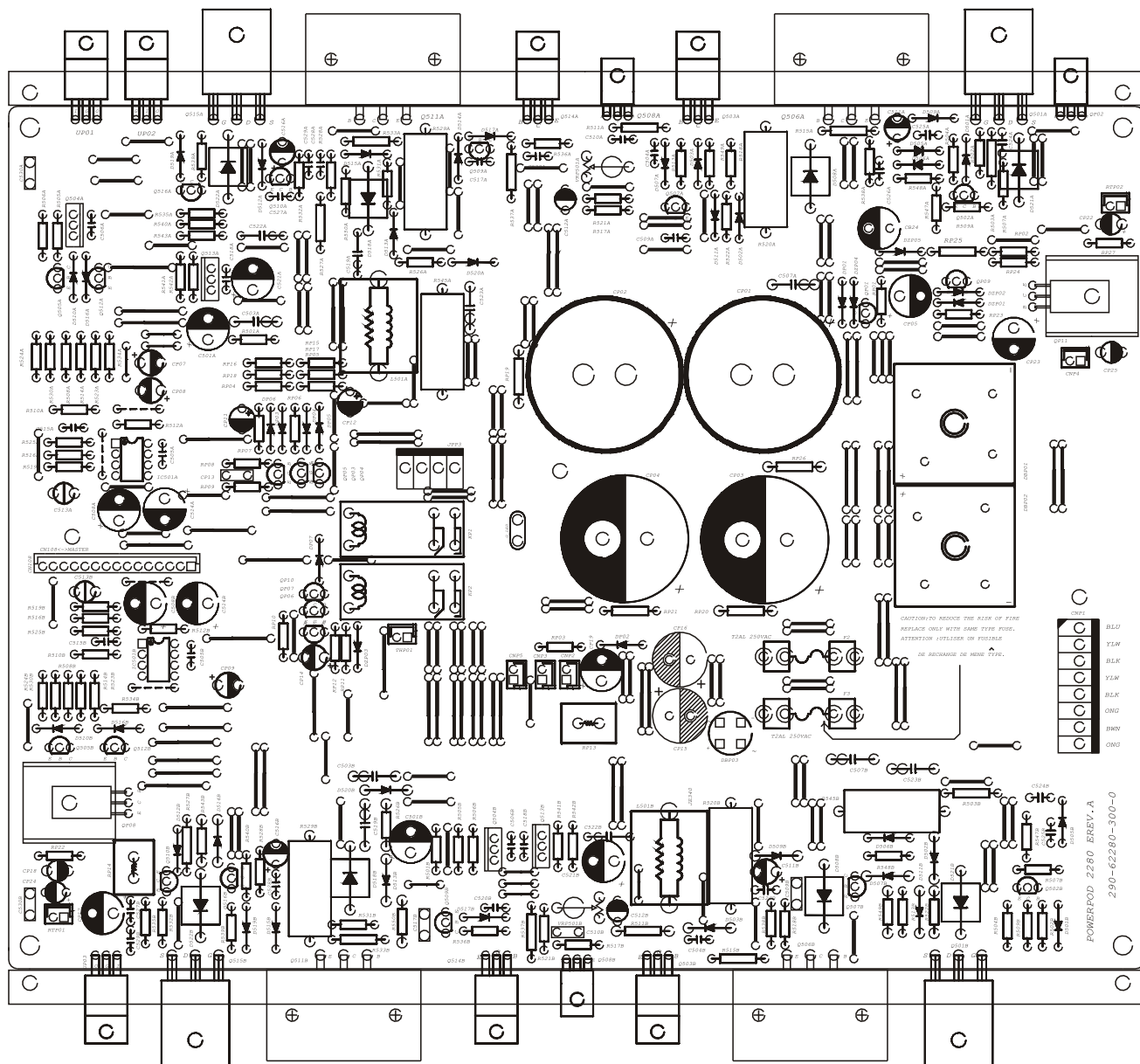
CHANNEL 13/14~19/20 & MASTER SECTION PCB(COMPONENT SIDE)



CHANNEL 13/14~19/20 & MASTER SECTION PCB(SOLDERING SIDE)



POWER AMPLIFIER & POWER SUPPLY PCB

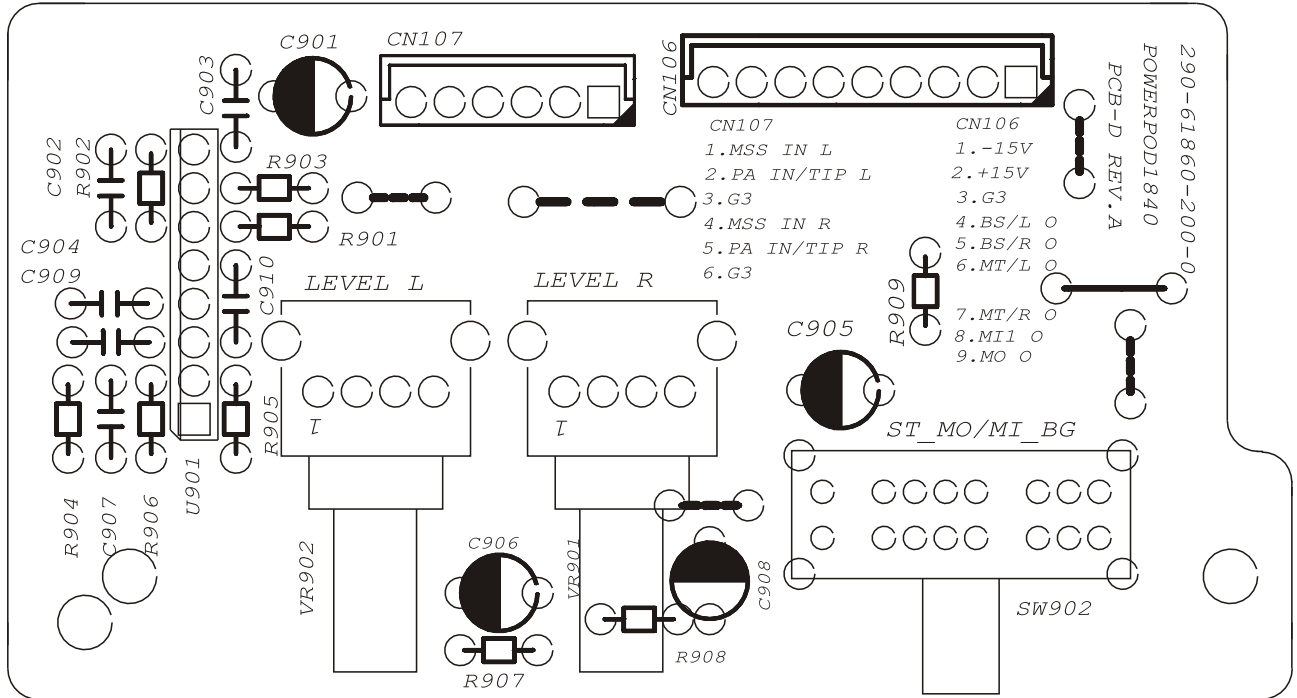


EXPLAIN:

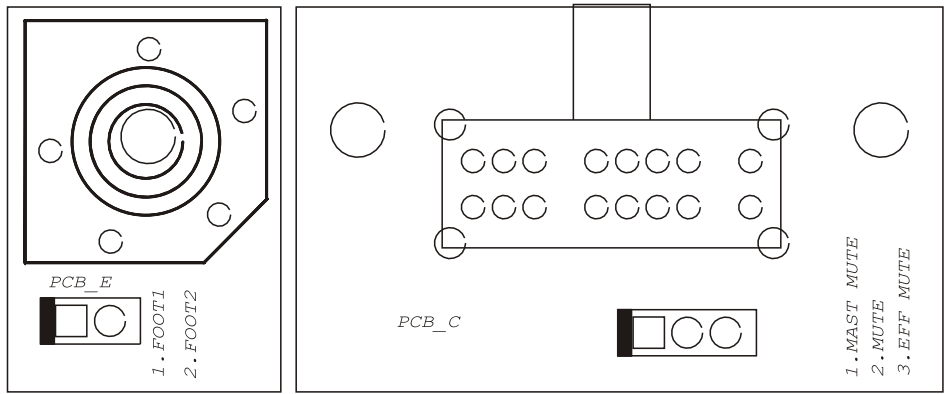
- 1: OUT OLD ARCHIVE.
- 2: GIVE ME THE NEW ARCHIVAL PCB (5 PCS)
AND SPECIFICATION (5 PCS) FOR APPROVAL

POWER AMPLIFIER VOLUME CONTROL & MODE SWITCH & FOOT SWITCH PCB

POWER AMPLIFIER VOLUME CONTROL & MODE SWITCH PCB

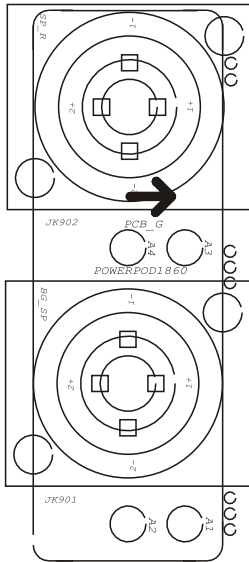


FOOT SWITCH PCB

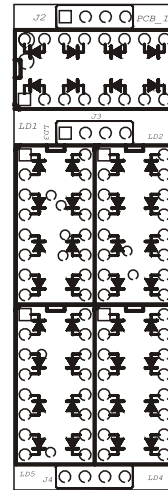


SPEAKER OUT & EFFECT NAME INDICATORS & POWER SWITCH & HEADPHONES PCB

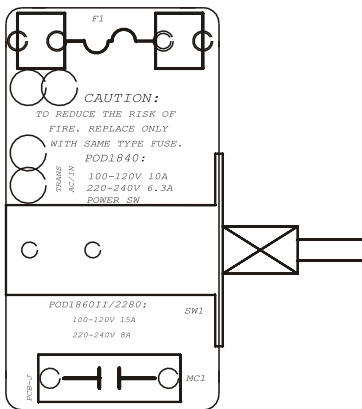
SPEAKER OUT PCB



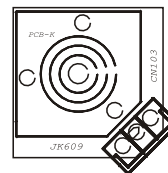
EFFECT NAME INDICATORS PCB



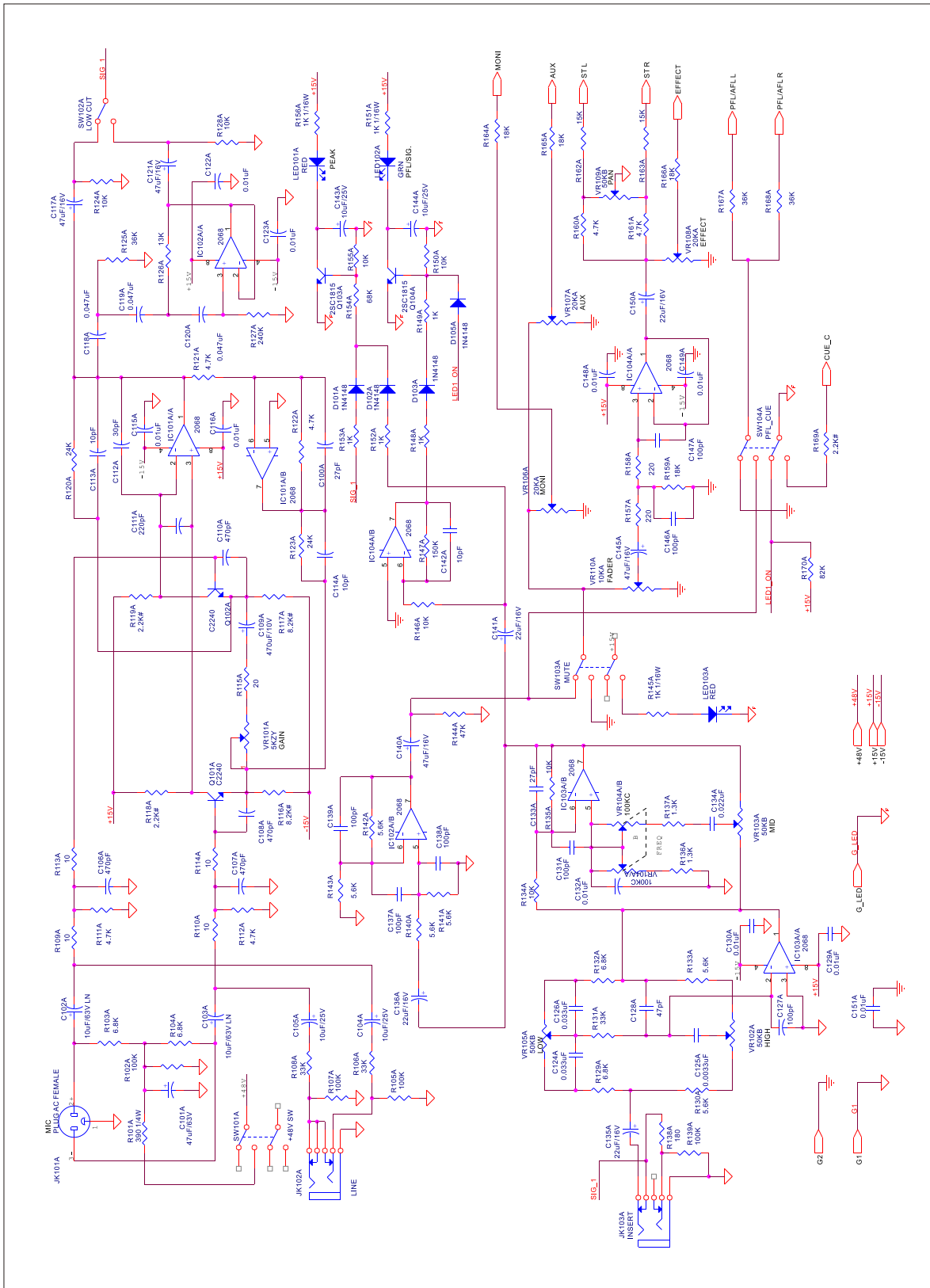
POWER SWITCH PCB



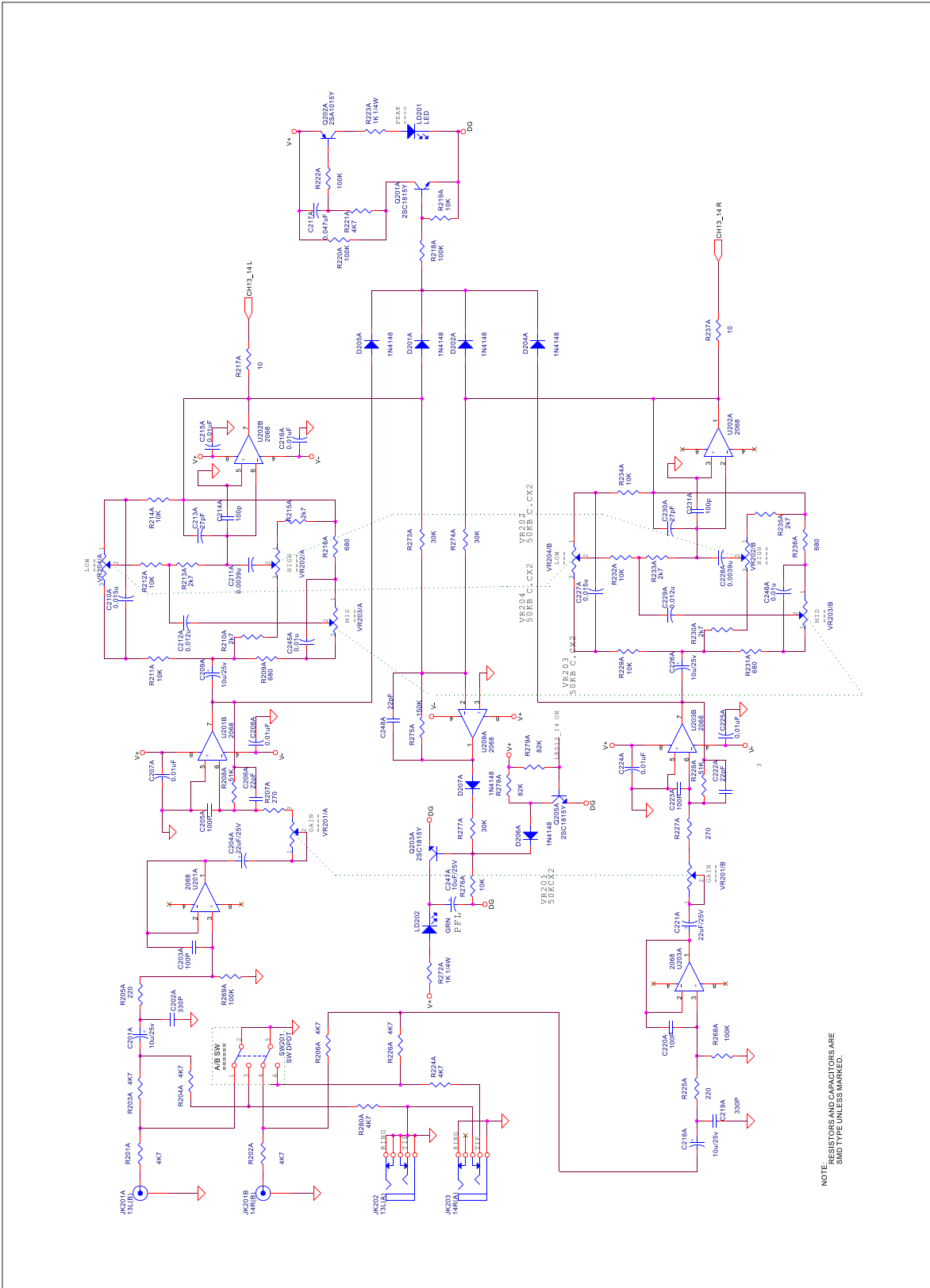
HEADPHONES PCB



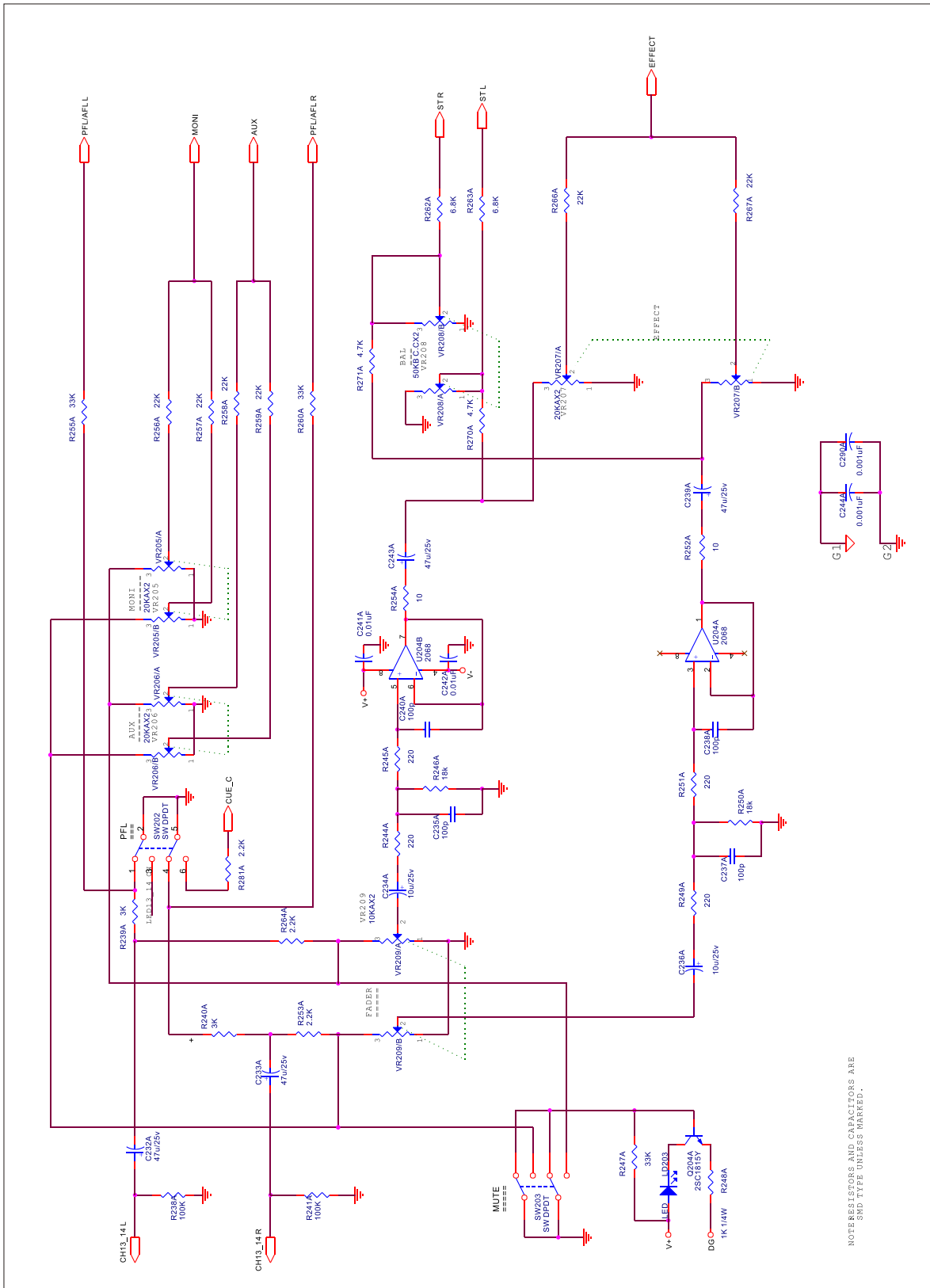
CHANNEL 1~12 SCHEMATIC



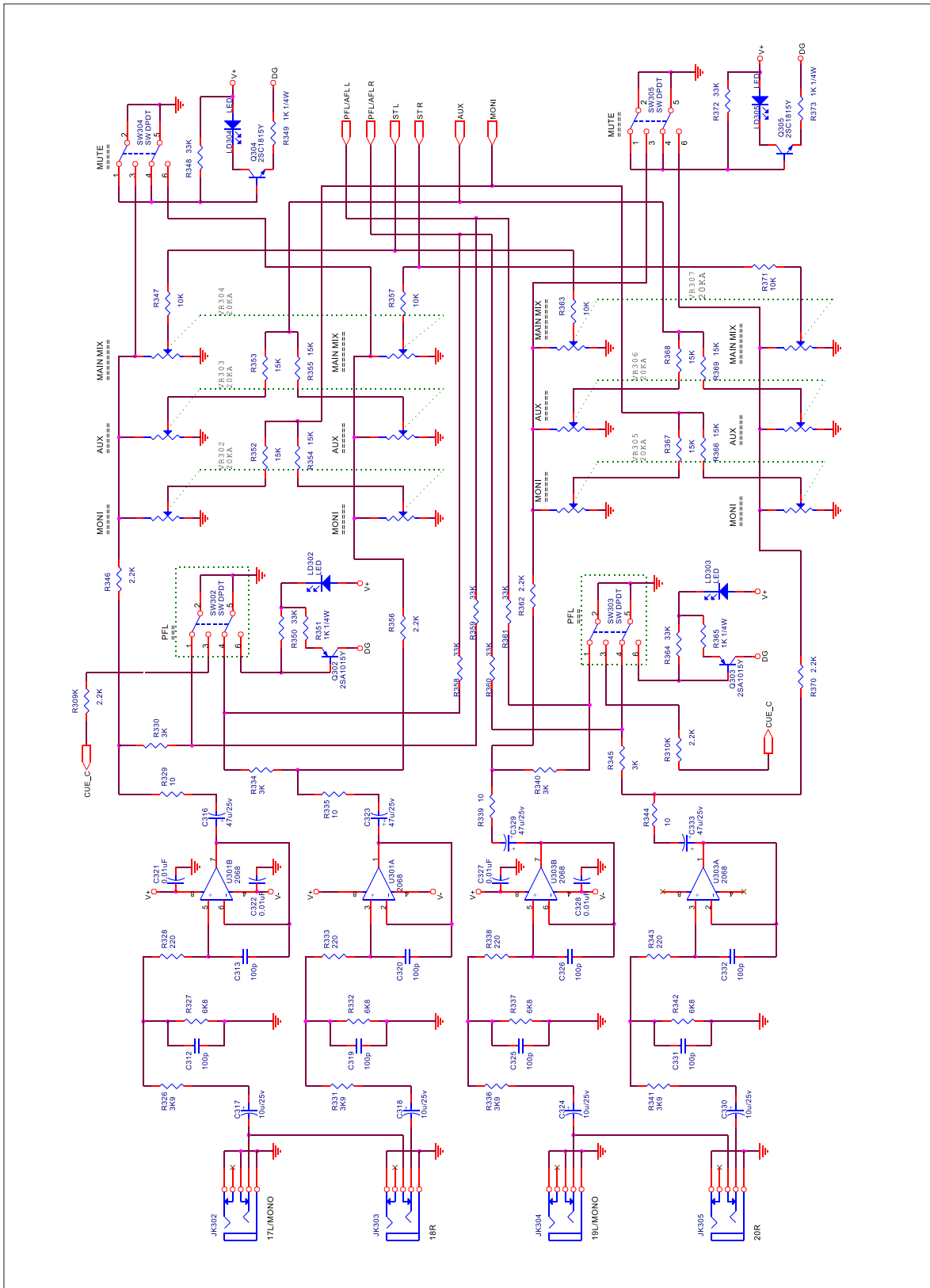
CHANNEL 13/14~15/16 SCHEMATIC(2-1)



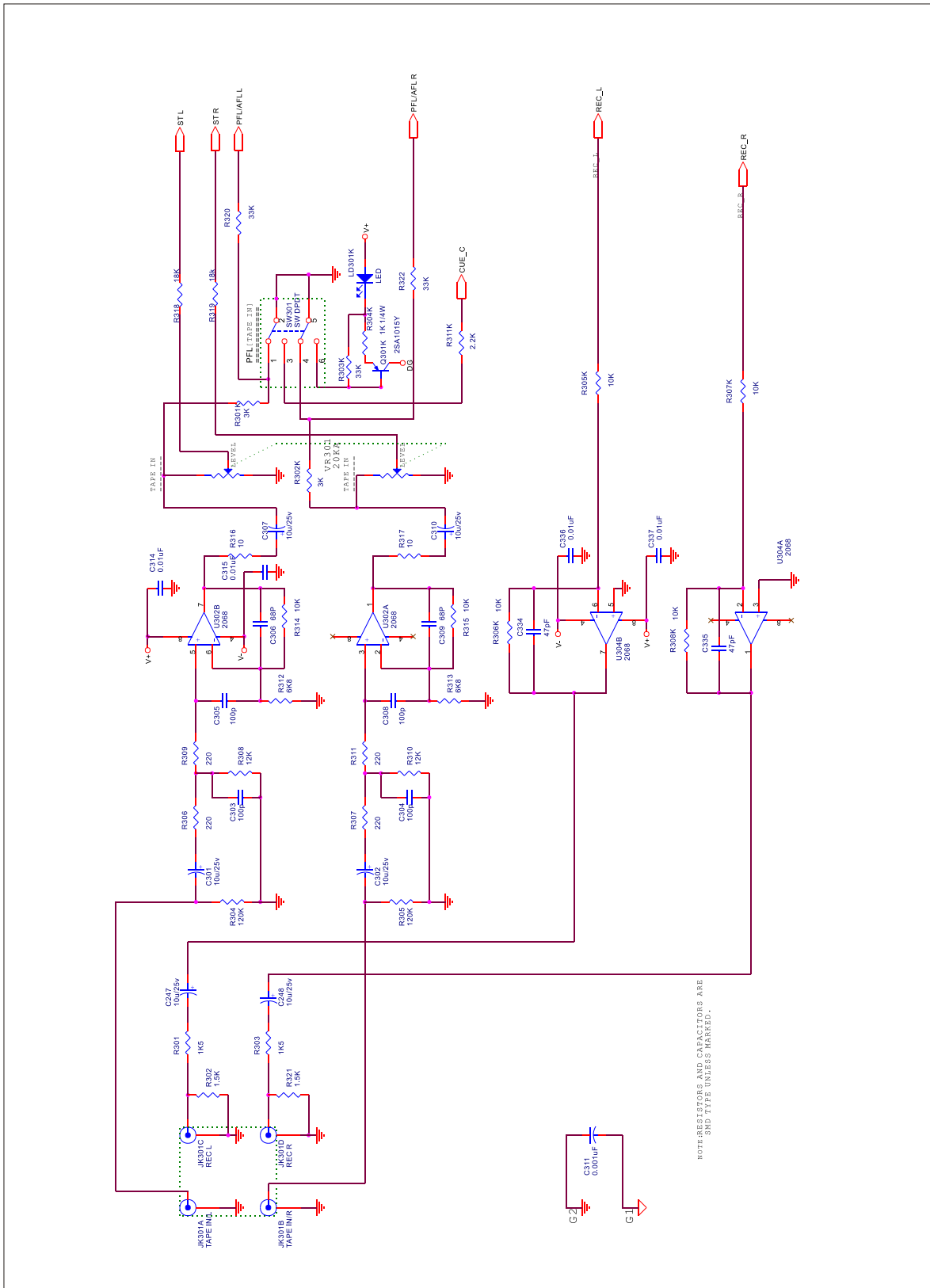
CHANNEL 13/14~15/16 SCHEMATIC(2-2)



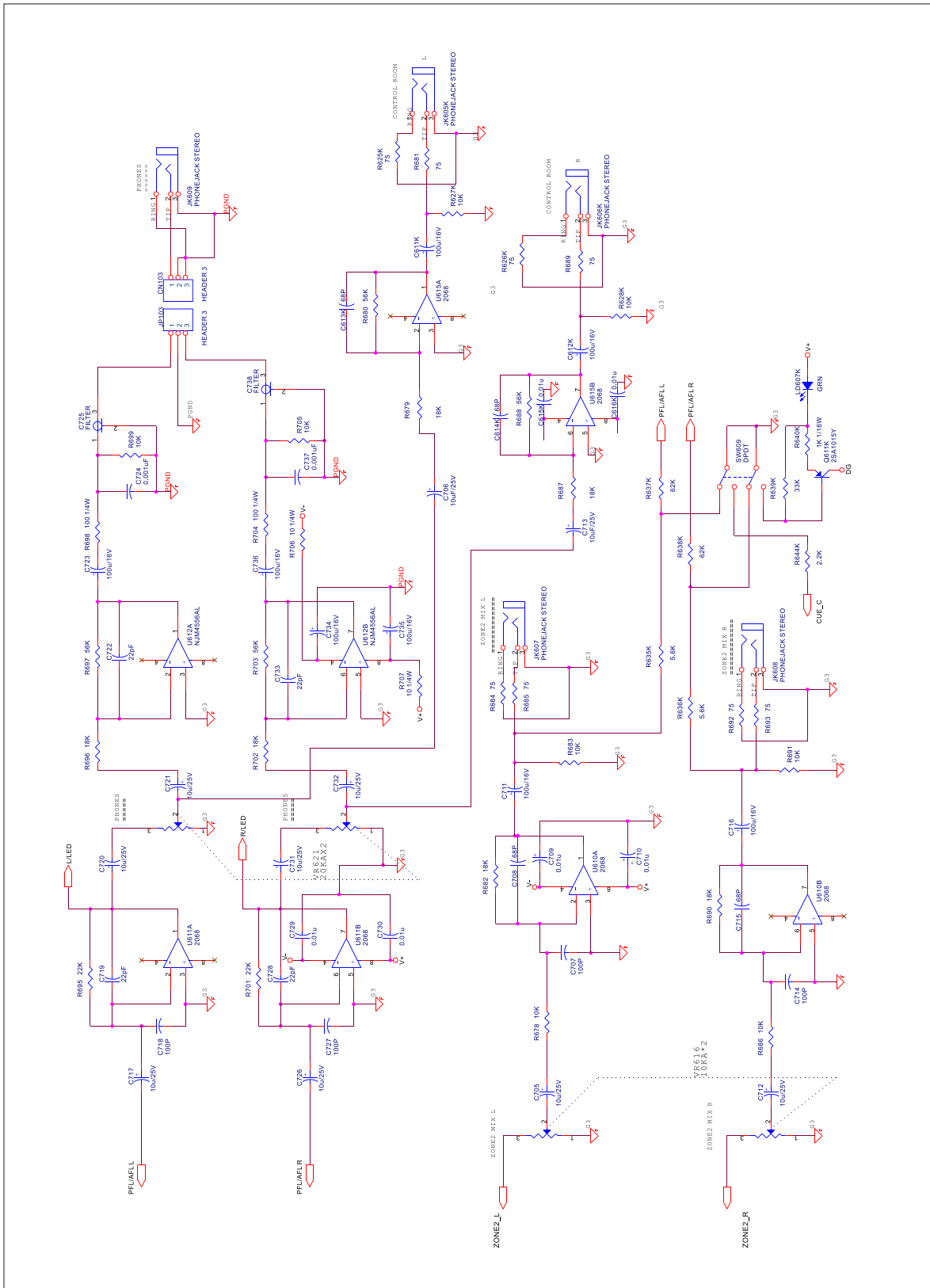
CHANNEL 17/18~19/20 SCHEMATIC



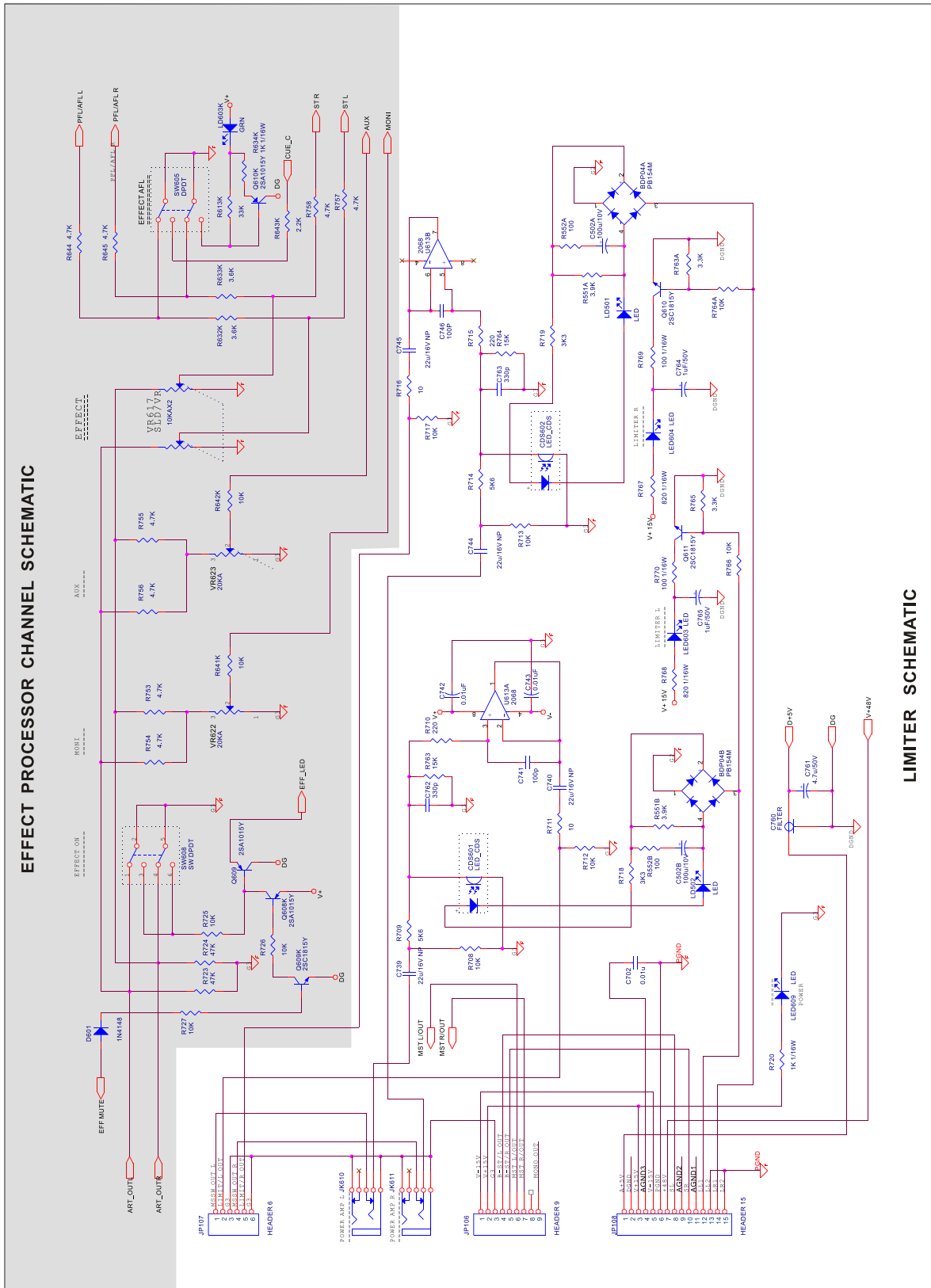
TAPE IN/OUT SCHEMATIC



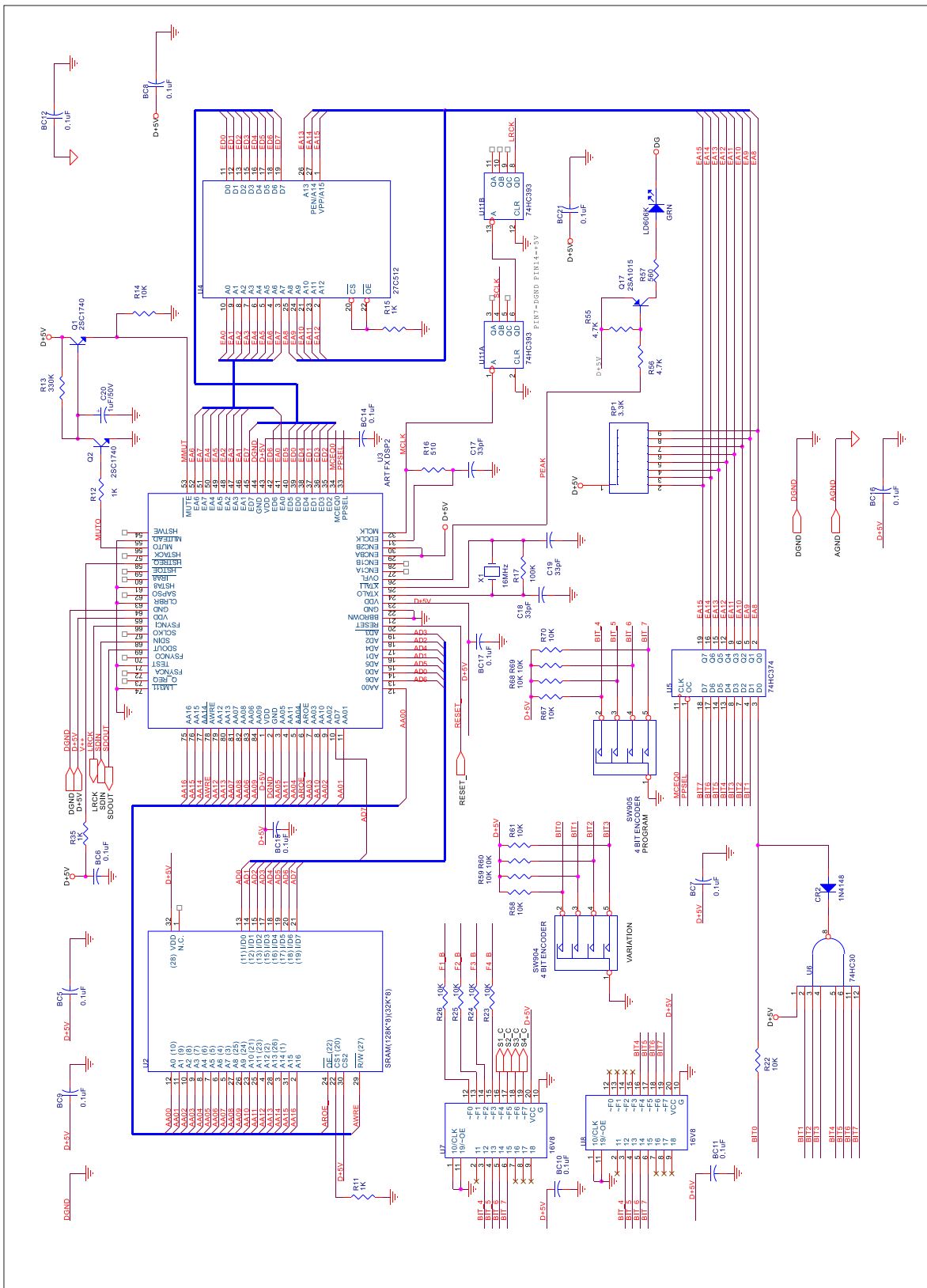
CTRL RM & HEADPHONES SCHEMATIC



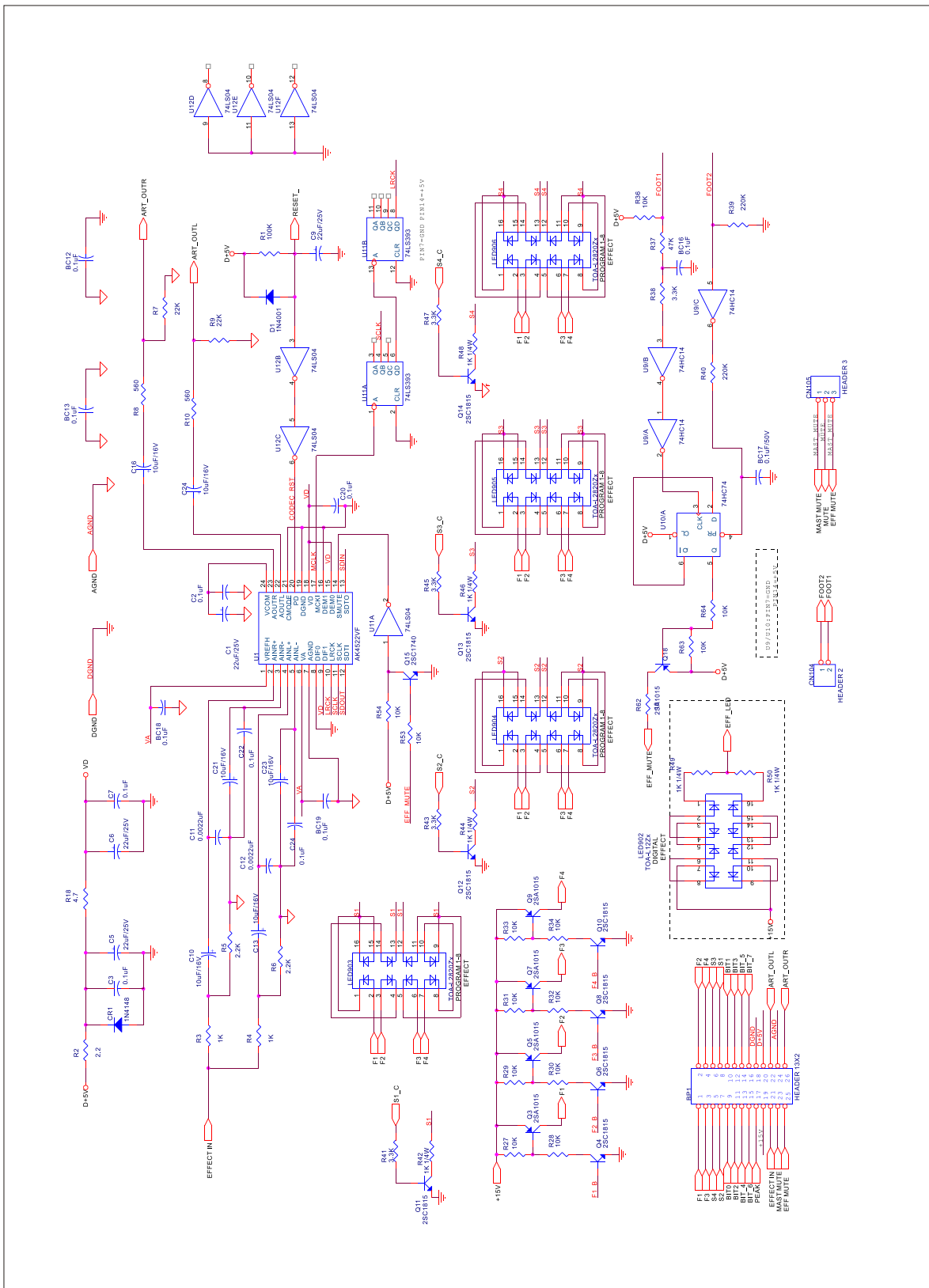
EFFECT PROCESSOR CHANNEL & LIMITER SCHEMATIC



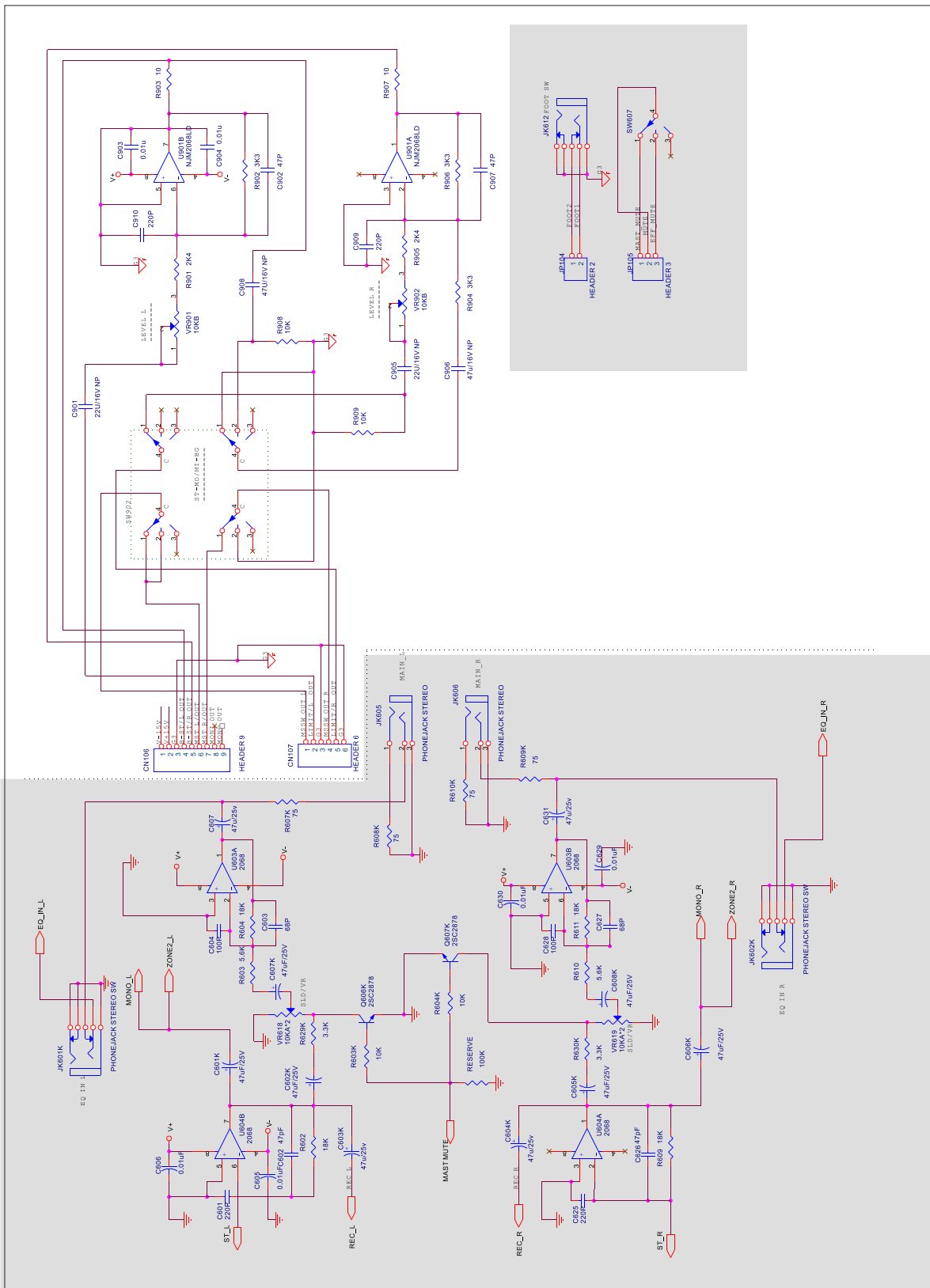
EFFECT PROCESSOR SCHEMATIC(2-1)



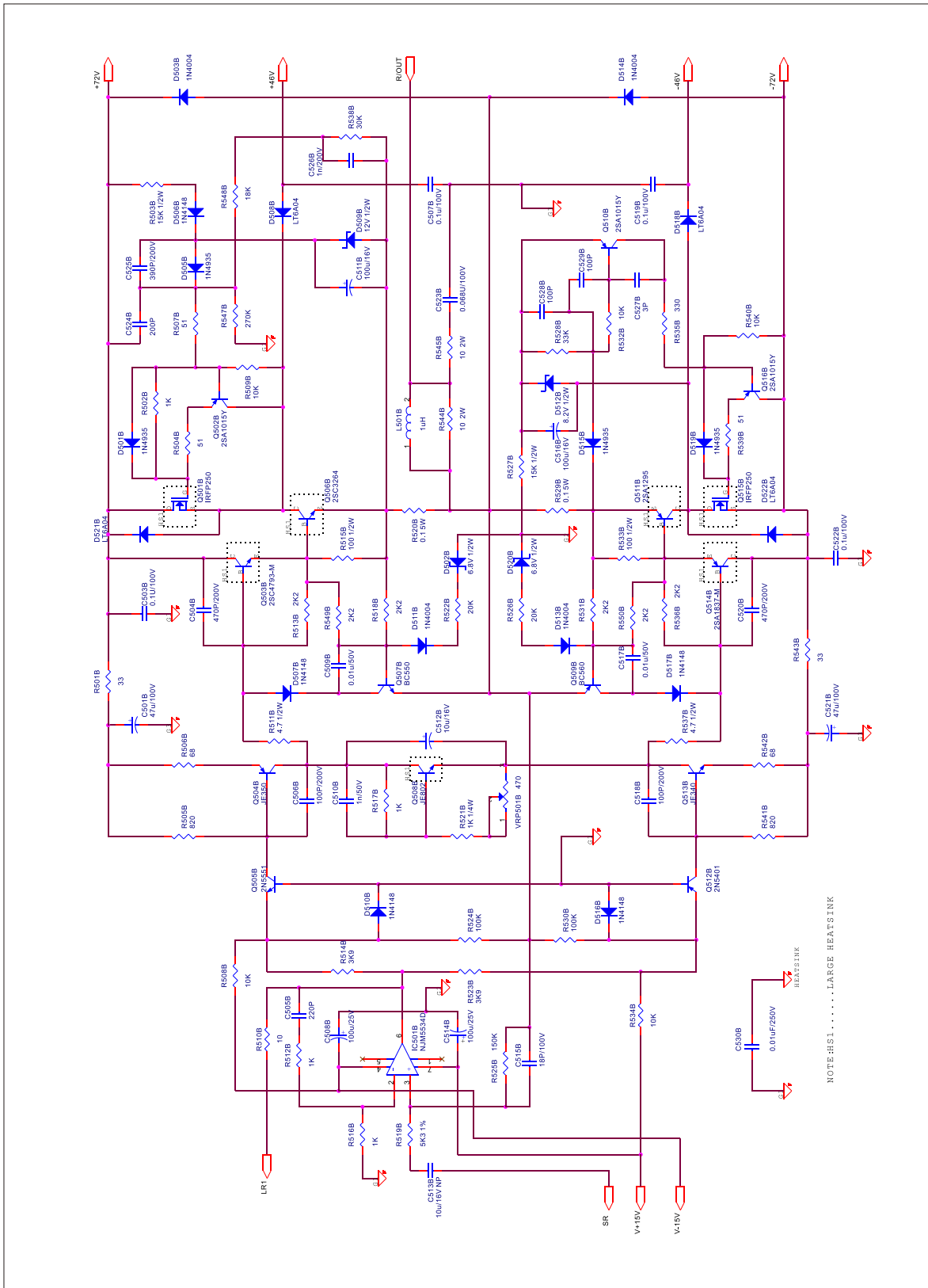
EFFECT PROCESSOR SCHEMATIC(2-2)



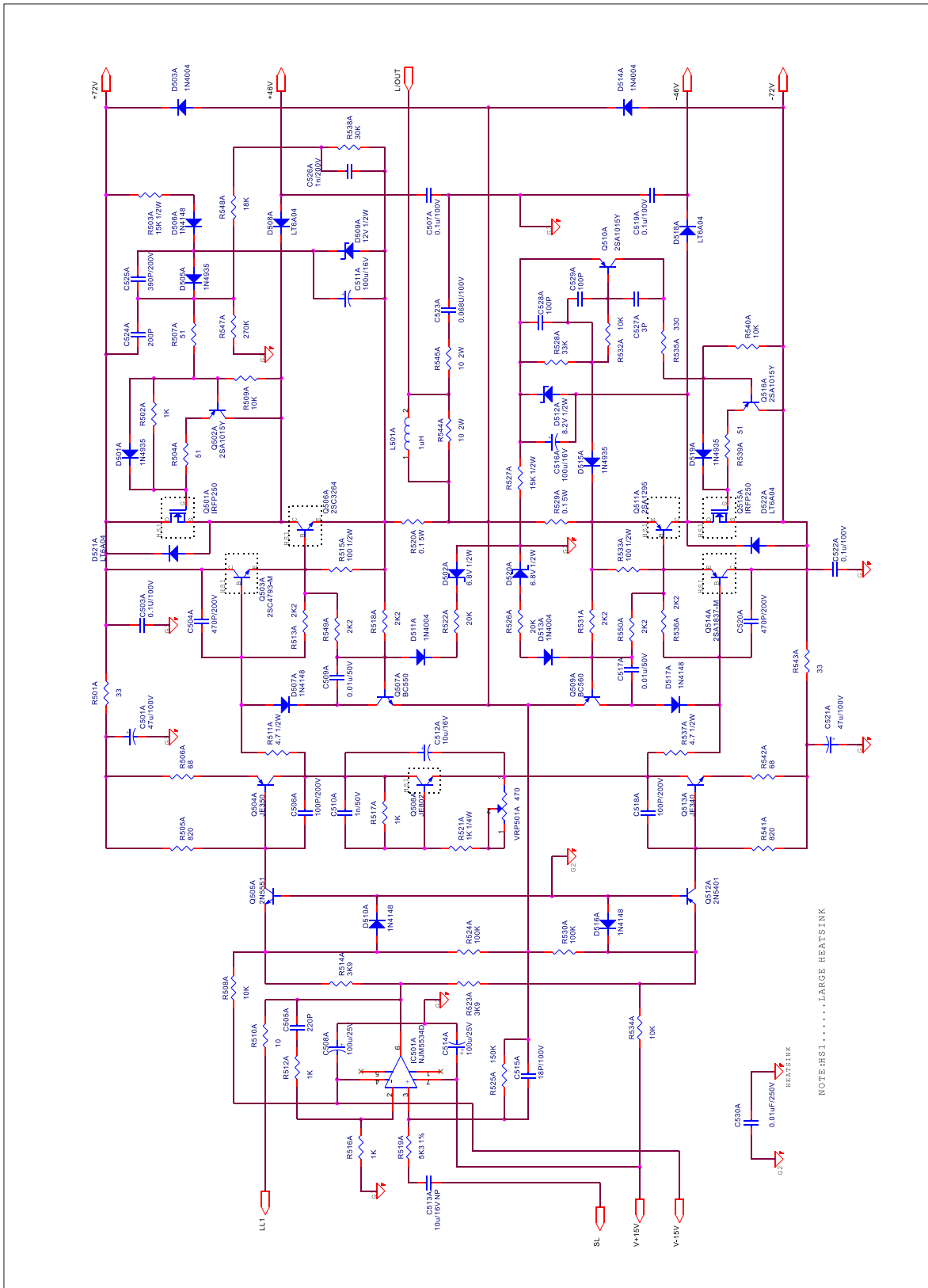
MAIN L/R OUTPUT & POWER AMPLIFIER VOLUME CONTROL & MODE SWITCH & FOOT SWITCH SCHEMATIC



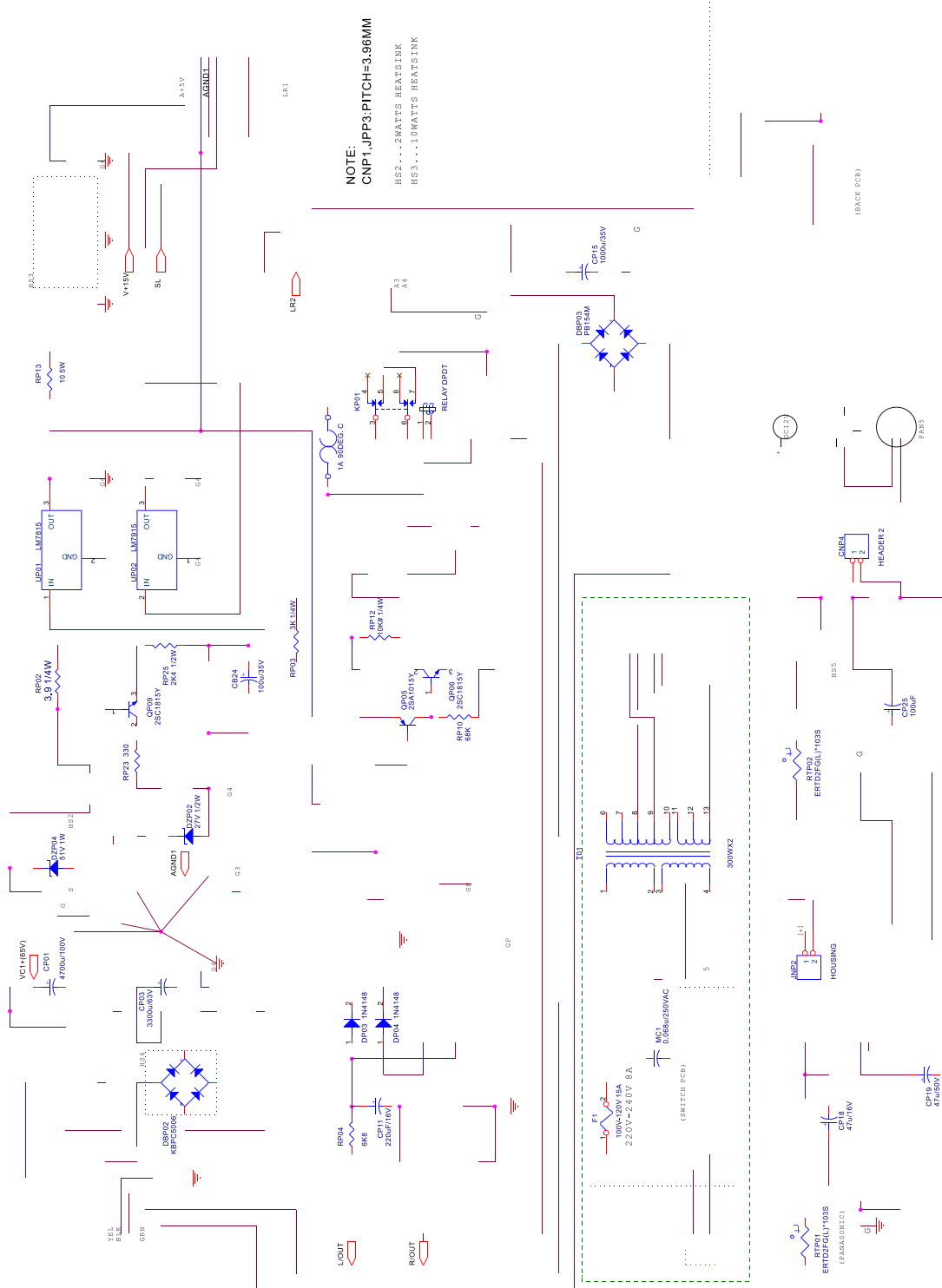
POWER AMPLIFIER RIGHT CHANNEL SCHEMATIC



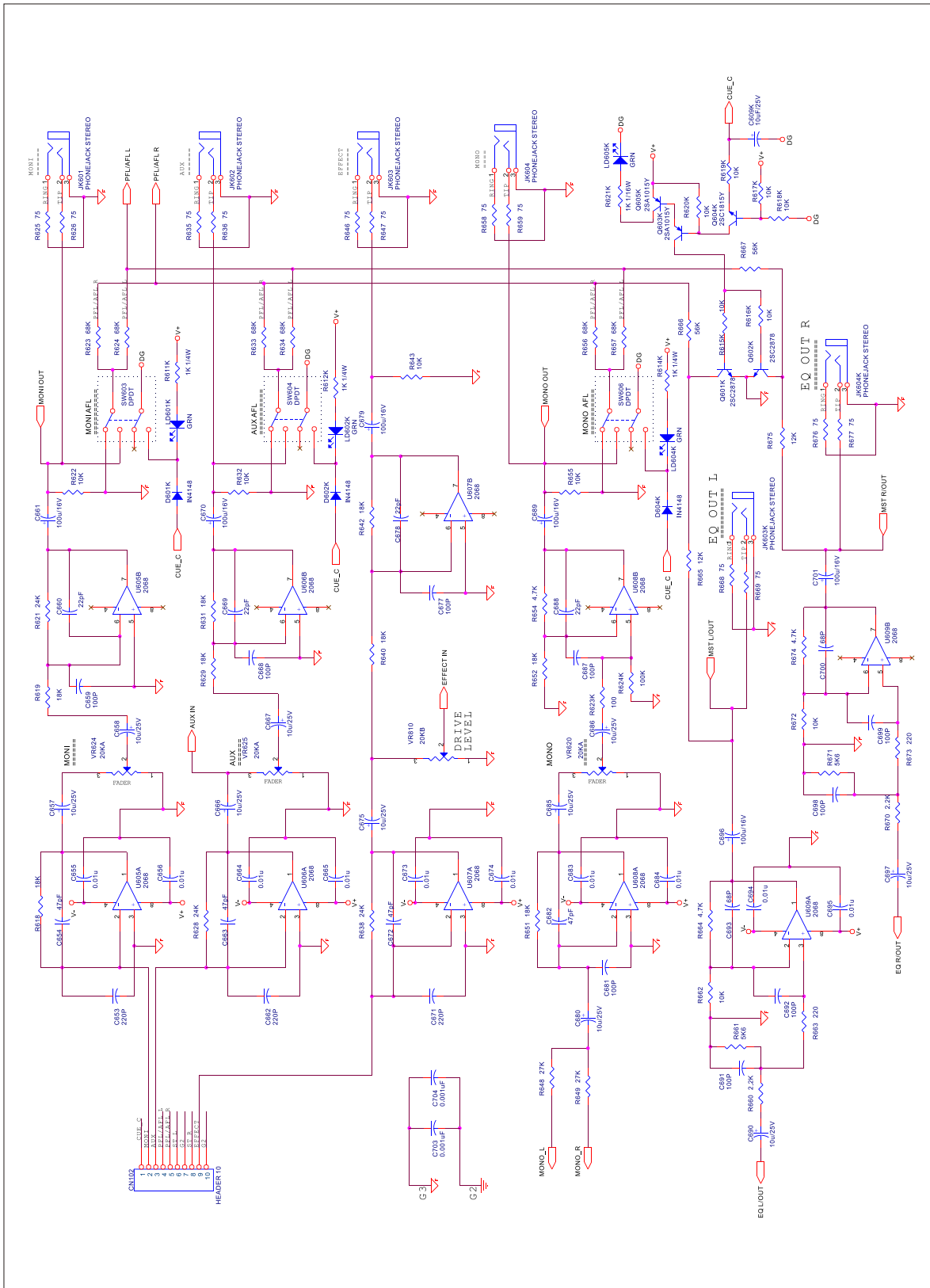
POWER AMPLIFIER LEFT CHANNEL SCHEMATIC



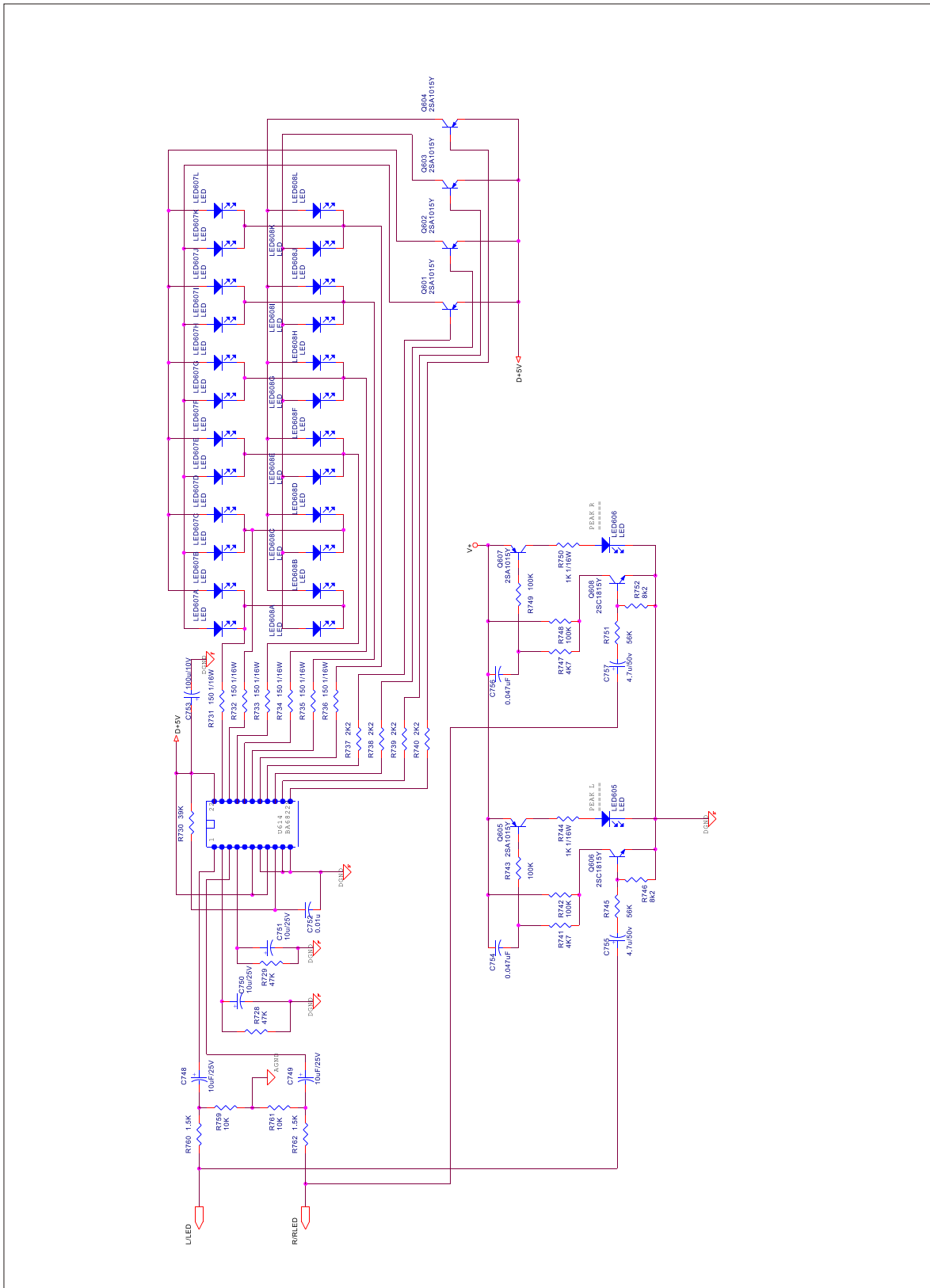
POWER SUPPLY SCHEMATIC



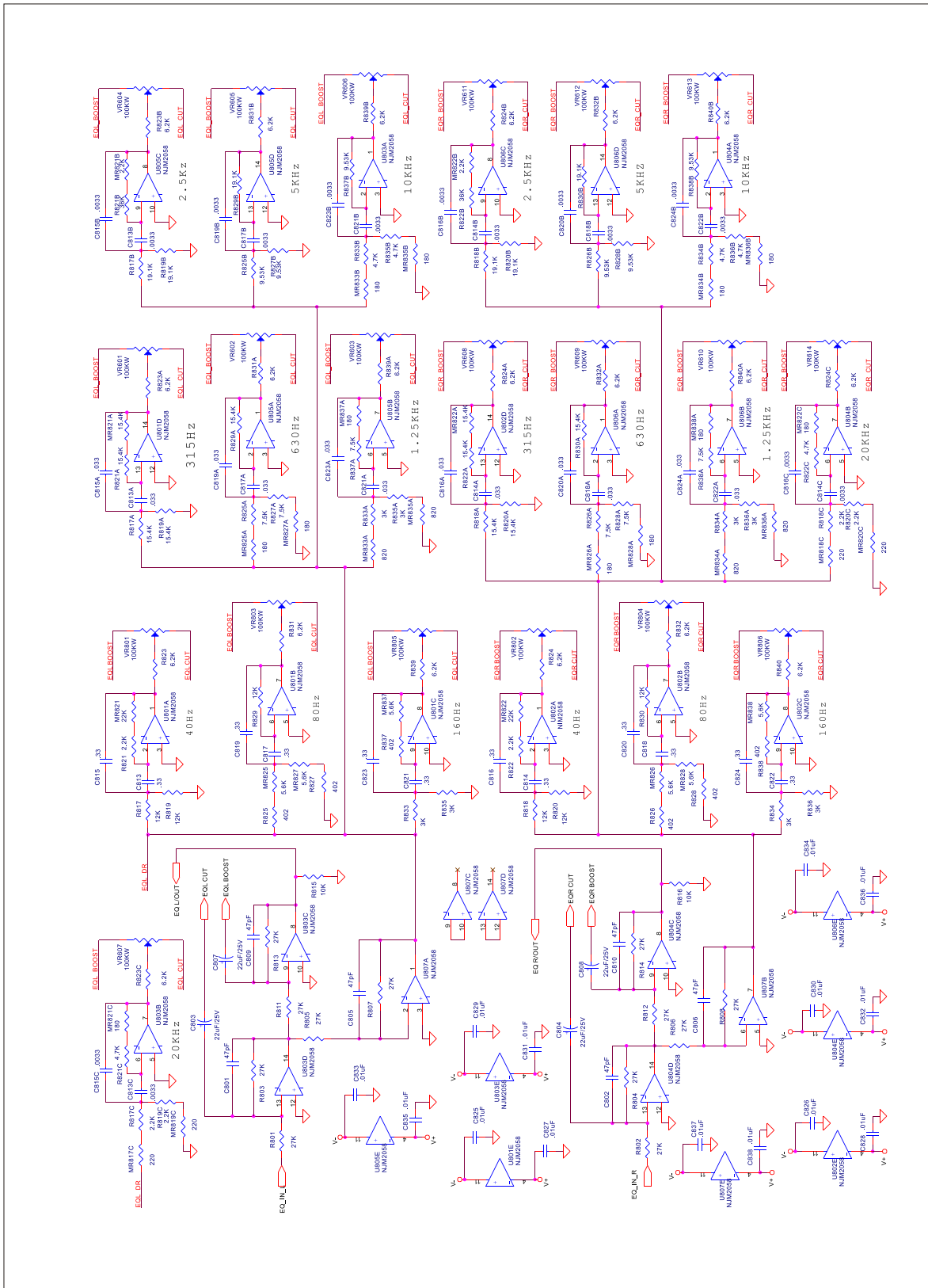
MASTER SECTION OUTPUT SCHEMATIC



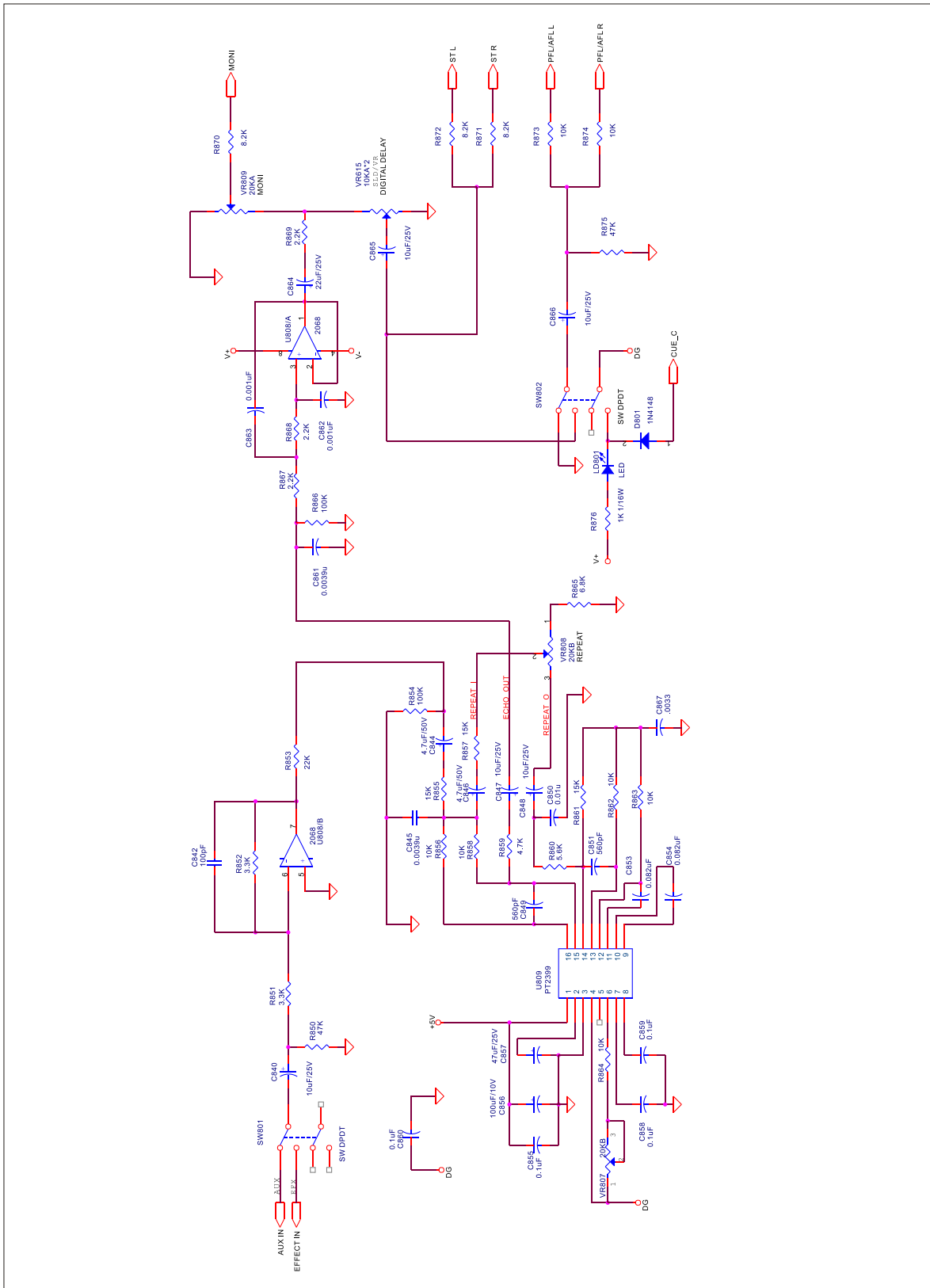
MASTER LEVEL METER SCHEMATIC



GRAPHIC EQ SCHEMATIC



VARIABLE DIGITAL DELAY SCHEMATIC



CHANNEL 1-12 PCB-PART LIST

Ref.	Phonic Part No.	Specifications
	290-62280-100-0	POD2280 CH1-12 PCB
ALL LED*36	615-60004-620-0	LED BOSS L=13 LEDS=13
ALL LOW CUT SW*24	610-00300-326-0	PE. WAS. D3.0*D6*0.3
C101A-101H.101J-101M	030-47668-0A0-0	E/C 47MF Z 63V 8*11 T
C102A-102H.102J-102M.1 03A-103H.103J-103M	033-10664-0A0-0	LN E/C 10MF J 63V T 6*11
C104A-104H.104J-104M.1 05A-105H.105J-105M.143 A-143H.143J-143M.144A-1 44H.144J-144M	030-10638-0A0-0	E/C 10MF Z 25V 5*11 T
C106A-106H.106J-106M.1 07A-107H.107J-107M	039-10224-220-0	CHIP C/C 0.001MF J 50V 0603
C108A-108H.108J-108M.1 10A-110H.110J-110M	039-47124-220-0	CHIP C/C 470PF J 50V 0603
C109A-109H.109J-109M	035-47715-0A0-0	MINI E/C 470MF J 10V T
C111A-111H.111J-111M	039-22124-220-0	CHIP C/C 220PF J 50V 0603
C112A-112H.112J-112M	039-30024-220-0	CHIP C/C 30P J 50V 0603
C115A-115H.115J-115M.11 6A-116H.116J-116M.122A- 122H.122J-122M.123A-123 H.123J-123M	039-10324-220-0	CHIP C/C 0.01MF J 50V 0603
C117A-117H.117J-117M.12 1A-121H.121J-121M.140A- 140H.140J-140M.145A-145 H.145J-145M	030-47628-0A0-0	E/C 47MF Z 16V 5*11 T
C118A-118H.118J-118M.11 9A-119H.119J-119M.120A- 120H.120J-120M	039-47325-220-0	CHIP C/C 0.047MF K 50V 0603
C124A-124H.124J-124M.1 26A-126H.126J-126M	039-33325-220-0	CHIP C/C 0.033MF K 50V 0603 +/-10%
C125A-125H.125J-125M	039-33225-220-0	CHIP C/C 0.0033MF K 50V 0603 10%
C127A-127H.127J-127M.1 31A-131H.131J-131M.137 A-137H.137J-137M.138A-1 38H.138J-138M	039-10124-220-0	CHIP C/C 100PF J 50V 0603

CHANNEL 1-12 PCB-PART LIST

Ref.	Phonic Part No.	Specifications
C128A-128H.128J-128M	039-47024-220-0	CHIP C/C 47PF J 50V 0603
C129A-129H.129J-129M.1 30A-130H.130J-130M.132 A-132H.132J-132M.148A-1 48H.148J-148M	039-10324-220-1	
C133A-133H.133J-133M	039-27024-220-0	CHIP C/C 27PF J 50V 0603
C134A-134H.134J-134M	039-22325-220-0	CHIP C/C 0.022MF K 50V 0603
C135A-135H.135J-135M.1 36A-136H.136J-136M.141 A-141H.141J-141M.150A-1 50H.150J-150M	030-22628-0A0-0	E/C 22MF Z 16V 5*11 T
C139A-139H.139J-139M.1 46A-146H.146J-146M .147 A-147H.147J-147M.142A-1 42H.142J-142M	039-10124-220-1	
C149A-149H.149J-149M.1 51A-151H.151J-151M	039-10324-220-2	
D101A-101H.101J-101M.1 02A-102H.102J-102M .103 A-103H.103J-103M.105A-1 05H.105J-105M	090-02000-020-0	DIODE 1N4148 T
IC101A-101H.101J-101M.1 02A-102H.102J-102M.103 A-103H.103J-103M.104A-1 04H.104J	160-00021-300-0	IC NJM2068 SMD JRC
IC104K-104M	160-00021-300-1	
JK101A-101H.101J-101M	211-03300-160-0	XLR/J SKCA229-1K3F2
JK102A-102H.102J-102M. 103A-103H.103J-103M	211-01602-380-0	6D3/J (SCJ-0658-Y)
JP101	212-10061-220-0	6P WAFER/P 70MM P=2.0MM
JP102	212-10100-000-0	10P WAFER/P 100MM UL1007#26 P=2.0
LED101A-101H.101J-101M .103A-103H.103J-103M	100-00010-030-0	LED BL-B5141 RED
LED102A-102H.102K-102 M	100-00050-000-0	LED BL-B2141 GRN

CHANNEL 1-12 PCB-PART LIST

Ref.	Phonic Part No.	Specifications
Q101A-101H.101J-101M.1 02A-102H.102J-102M	120-00001-010-0	TRAN 2SC2240-BL TOSHIBA
Q103A-103H.103J-103M.1 04A-104H.104J-104M	120-00000-800-0	TRAN. 2SC1815 GR TOSHIBA
R101A-101H.101J-101M	000-39126-400-0	CF RES. 390 J 0.25W T
R102A-102H.102J-102M.1 05A-105H.105J-105M.107 A-107H.107J-107M.139A-1 39H.139J-139M	008-01042-600-0	CHIP RES. 100K J 0603
R103A-103H.103J-103M.1 04A-104H.104J-104M.129 A-129H.129J-129M.132A-1 32H.132J-132M	008-06822-600-0	CHIP RES. 6K8 J 0603
R109A-109H.109J-109M.1 10A-110H.110J-110M.113A -113H.113J-113M.114A-114 H.114J-114M	008-01002-600-0	CHIP RES. 10J SMT 0603 PKG
R111A-111H.111J-111M.11 2A-112H.112J-112M.121A- 121H.121J-121M.122A-122 H.122J-122M	008-04722-600-0	CHIP RES. 4.7K J 0603
R115A-115H.115J-115M	008-07502-600-0	CHIP RES. 75 J 0603
R116A-116H.116J-116M.11 7A-117H.117J-117M	008-82010-400-0	CHIP RES. 8K2 F 0805
R118A-118H.118J-118M.11 9A-119H.119J-119M	008-47010-400-0	CHIP RES. 4K7 F 0805
R120A-120H.120J-120M.1 23A-123H.123J-123M	008-02432-600-0	CHIP RES. 24K J 0603
R124A-124H.124J-124M.1 28A-128H.128J-128M.155 A-155H.155J-155M	008-01032-600-0	CHIP RES. 10K J 0603
R125A-125H.125J-125M.1 67A-167H.167J-167M.168 A-168H.168J-168M	008-03632-600-0	CHIP RES. 36K J 0603
R126A-126H.126J-126M.1 43A-143H.143J-143M	008-01332-600-0	CHIP RES. 13K J 0603

CHANNEL 1-12 PCB-PART LIST

Ref.	Phonic Part No.	Specifications
R127A-127H.127J-127M.	008-02442-600-0	CHIP RES. 240K J 0603
R130A-130H.130J-130M.1 33A-133H.133J-133M.141 A-141H.141J-141M.142A-1 42H.142J-142M	008-05622-600-0	CHIP RES. 5.6K J 0603
R131A-131H.131J-131M.1 06A-106H.106J-106M.108 A-108H.108J-108M	008-03332-600-0	CHIP RES. 33K J 0603
R134A-134H.134J-134M.1 35A-135H.135J-135M.146 A-146H.146J-146M.150A-1 50H.150J-150M	008-01032-600-1	
R136A-136H.136J-136M.1 37A-137H.137J-137M	008-01322-600-0	CHIP RES. 1.3K J 0603
R138A-138H.138J-138M	008-01812-600-0	CHIP RES. 180 J 0603
R140A-140H.140J-140M	008-06812-600-0	CHIP RES. 680 J 0603
R144A-144H.144J-144M	008-04732-600-0	CHIP RES. 47K J 0603
R145A-145H.145J-145M.1 51A-151H.151J-151M.156 A-156H.156J-156M	000-10206-400-0	CF RES. 1K J 1/8W T
R147A-147H.147J-147M.	008-01542-600-0	CHIP RES. 150K J 0603
R148A-148H.148J-148M.1 49A-149H.149J-149M.152 A-152H.152J-152M.	008-01022-600-0	CHIP RES. 1K J 0603
R153A-153H.153J-153M	008-01022-600-1	
R154A-154H.154J-154M	008-06832-600-0	CHIP RES. 68K J 0603
R157A-157H.157J-157M.1 58A-158H.158J-158M	008-02212-600-0	CHIP RES. 220 J 0603
R159A-159H.159J-159M.1 64A-164H.164J-164M.165 A-165H.165J-165M.166A-1 66H.166J-166M	008-01832-600-0	CHIP RES. 18K J 0603
R160A-160H.160J-160M.1 61A-161H.161J-161M	008-04722-600-1	
R162A-162H.162J-162M.1 63A-163H.163J-163M	008-01532-600-0	CHIP RES. 15K J 0603

CHANNEL 1-12 PCB-PART LIST

Ref.	Phonic Part No.	Specifications
R169A-169H.169J-169M	008-22012-400-0	CHIP RES. 2.2K F 0603
R170A-170H.170J-170M	008-08232-600-0	CHIP RES. 82K J 0603
R171A-171H.171J-171M	008-00002-600-0	CHIP RES. 0 J 0603
SW101A-101H.101J-101M	210-02202-070-0	PUSH/SW SPEC12HC11-JP
SW102A-102H.102J-102M	210-01202-320-0	SLD/SW SS-22F-11G(NON SHORTING)
SW103A-103H.103J-103M. 104A-104H.104J-104 M	210-02201-440-0	PSH/SW 2P2T SFPC12MC03-PF
VR101A-101H.101J-101M	022-50290-003-0	S.ROT/VR 5KZY L=30MMRD09F1130001-5KZ
VR102A-102H.102J-102M. 103A-103H.103J-103M.105 A-105H.105J-105M.109A-1 09H.109J	022-50350-011-0	S.ROT/VR 50KB(C.C)L=30MM
VR104A-104H.104J-104M	023-10470-021-0	D.ROT/VR 100KC 30MM P ALPS
VR106A-106H.106J-106M. 107A-107H.107J-107M.108 A-108H.108J-108M	022-20350-001-0	S.ROT/VR 20KA L=30MM F=12MM
VR109K-109M	022-50350-011-1	
VR110A-110H.110J-110M	026-10326-030-0	S.SLD/VR 10KA L=15MM 60MM P

CHANNEL 13/14~19/20& MASTER PCB- PART LIST

Ref.	Phonic Part No.	Specifications
	290-62280-200-0	POD2280 MASTER PCB
ALL LED*48 (EXCEPT LD501.502)	615-60004-620-0	LED BOSS L=13 LEDS=13
BDP04A.04B	090-10000-000-0	B/DIODE PB154
BP1	212-10260-020-0	26P WAFER/P 220MM PH2.54
C201A.B.209A.B.218A.B.2 26A.B.234A.B.236A.B.247. 248.301.302.307.310.317.3 18.324.	030-10638-0A0-0	E/C 10MF Z 25V 5*11 T
C202A.202B.219A.219B.76 2.763	039-33125-220-0	CHIP C/C 330PF K 50V 0603
C203A.203B.205A.205B.21 4A.214B.220A.220B.223A. 223B.231A.231B.235A.235 B.237A.237B	039-10124-220-0	CHIP C/C 100PF J 50V 0603
C207A.207B.208A.208B.21 5A.215B.216A.216B.224A. 224B.225A.225B.241A.241 B.242A.242B	039-10324-220-0	CHIP C/C 0.01MF J 50V 0603
C210A.210B.227A.227B	039-15324-220-0	CHIP C/C 0.015MF J 50V 0603
C211A.211B.228A.228B.84 5.861	039-39224-220-0	CHIP C/C 0.0039MF J 50V 0603
C212A.212B.229A.229B	039-12324-220-0	CHIP C/C 0.012MF J 50V 0603
C213A.213B.230A.230B	039-27024-220-0	CHIP C/C 27PF J 50V 0603
C217A.217B.754.756	039-47325-220-0	CHIP C/C 0.047MF K 50V 0603
C232A.232B.233A.233B.23 9A.239B.243A.243B.316.3 23.329.333.603K.604K.607 .631	030-47638-0A0-0	E/C 47MF Z 25V 6.3*11 T
C238A.238B.240A.240B.30 3.304.305.308.312.313.319 .320.325.326.331.332.604. 628.659	039-10124-220-1	
C244A.244B.290A.290B.70 2.703.704.724.737.862.863	039-10224-220-0	CHIP C/C 0.001MF J 50V 0603

CHANNEL 13/14~19/20& MASTER PCB- PART LIST

Ref.	Phonic Part No.	Specifications
C247A.247B.609K.617K.70 6.713.840.865.866.751.847 .848.731.748.749	030-10638-0A0-2	
C306.309.603.613K.614K. 627.693.700.708.715	039-68024-220-0	CHIP C/C 68PF J 50V 0603
C314.315.321.322.327.328 .605.606.629.630.742.743. 245A.245B.246A.246B.615 K.616K	039-10324-220-1	
C330.657.658.666.667.675 .680.685.686.690.697.705. 712.717.720.721.726.732.7 50	030-10638-0A0-1	
C502A.502B.753.856	030-10718-0A0-0	E/C 100MF Z 10V 6*11 5 T
C601.625.653.662.671.	039-22124-220-0	CHIP C/C 220PF J 50V 0603
C601K.602K.605K.606K.60 7K.608K.857	030-47638-0A0-1	
C602.626.654.663.682.672 .334.335	039-47024-220-0	CHIP C/C 47PF J 50V 0603
C611K.612K.661.670.679.6 89.696.701.711.716.723.73 4.735.736	030-10728-0A0-0	E/C 100MF Z 16V 6*11 T
C655.656.664.665.673.674 .683.684.694.695.729.730. 752.850.336.337.825-838	039-10324-220-2	
C660.669.678.719.722.728 .733.248A.B.206A.206B.22 2A.222B	039-22024-220-0	CHIP C/C 22PF J 50V 0603
C668.677.681.687.691.692 .698.699.707.714.718.727. 741.746.842	039-10124-220-2	
C688	039-33024-220-0	CHIP C/C 33PF J 50V 0603
C709.710	039-10324-220-3	
C725.738.760	072-20108-000-0	CHOKE COIL BF1052AT 52R BEAD COIL
C739.740.744.745	032-22626-0A0-0	NP E/C 22MF M 16V 5*11 T
C755.757.761.844.846	030-47558-0A0-0	E/C 4.7MF Z 50V 5*11 T

CHANNEL 13/14~19/20& MASTER PCB- PART LIST

Ref.	Phonic Part No.	Specifications
C764.765	030-10558-0A0-0	E/C 1MF Z 50V 5*11 T
C803.804.807.808.204A.20 4B.221A.221B.864	030-22638-0A0-0	E/C 22MF Z 25V 5*11 T
C813-824	039-33435-220-0	CHIP. C/C 0.33MF 10V K 0603
C813A-824A	039-33325-220-0	CHIP C/C 0.033MF K 50V 0603 +/-10%
C813B-824B.813C-816C.8 67	039-33225-220-0	CHIP C/C 0.0033MF K 50V 0603 10%
C849.851	039-56124-220-0	CHIP C/C 560P J 50V 0603
C853.854	039-82324-220-0	CHIP C/C 0.082UF J 50V 0603
C855.858.859.860	039-10405-220-0	CHIP C/C 0.1UF K 16V 0603
CDS601.602	010-00001-010-0	CDS P873-G35-552 HAMAMATSU
CN101	211-10060-000-0	6P WAFER/S A2001WR2-6P P=2.0MM 90 DEGREE
CN102	211-10100-000-0	10P WAFER/S A20001WR2-10P P=2.0 90 DEGREE
D201A.B.202A.B.204A.B.2 05A.B.206A.B.207A.B.601 K.602K.604K.801.601	090-02000-020-0	DIODE 1N4148 T
EQL/R	376-00215-116-0	D.S.WIRE UL2547 #28 150MM BRN
G_LED	380-60026-001-0	M.WIRE UL1007#18 550MM BLK PC250
JK201.301	211-00041-100-0	4P RCA/J RL-1414-4D
JK202-205.302-305.601K.6 02K.610.611	211-01602-380-0	6D3/J (SCJ-0658-Y)
JK601-608.603K.604K.605 K.606K	211-01602-390-0	6D3/J JY-6351-02-030 SCJ-0658
JP103	212-10032-510-0	3P WAFER/P UL1007#24 PH=2.5MM 100MM
JP106	212-10090-390-0	9P WAFER/P 300MM UL1007#24 P=2.5MM
JP107	212-10061-230-0	6P WAFER/P 300MM UL2547#26/2C P=2.5MM
JP108	212-10150-060-0	15P WAFER/P 1000MM UL1007#24 P=2.5MM

CHANNEL 13/14~19/20& MASTER PCB-PART LIST

Ref.	Phonic Part No.	Specifications
LD201.203.204.206.304.30 5.501.502.606K.LED603-6 06.607J.607K.607L.608J.6 08K.608L	100-00010-030-0	LED BL-B5141 RED
LD202.205.301K.302.303.6 01K-605K.607K.801.LED6 07A-607F.608A-608F	100-00050-000-0	LED BL-B2141 GRN
LED607G.607H.607I.608G. 608H.608I	100-00040-000-0	LED 204YD YLW
LED609	100-00070-030-0	LED 204UBD D3 BLUE ()
MR821C.822C.825A-828A. 837A.838A.833B-836B	008-01812-600-0	CHIP RES. 180 J 0603
MR833A-836A	008-08212-600-0	CHIP RES 820 J 0603
Q201A.B.203A.B.204A.B.3 04.305.606.608.604K.609K .610.611.205A.205B	120-00000-800-0	TRAN. 2SC1815 GR TOSHIBA
Q202A.B.302.303.601-605. 607.608K.609.301 K.603K.605K.611K.610K	121-00000-200-0	TRAN. 2SA1015 GR TOSHIBA
Q601K.602K.606K.607K	120-00006-200-0	TRAN. 2SC2878 TOSHIBA
R201A.B.202A.B.203A.B.2 04A.B.206A.B.221A.B.224 A.B.226A.B.280A.B.741.74 7.270A.B.	008-04722-600-0	CHIP RES. 4.7K J 0603
R205A.B.225A.B.244A.B.2 45A.B.249A.B.251A.B.306. 307.309.311.328.333.338.3 43.663.	008-02212-600-0	CHIP RES. 220 J 0603
R207A.207B.227A.227B	008-02712-600-0	CHIP RES. 270 J 0603
R208A.208B.228A.228B	008-05132-600-0	CHIP RES. 51K J 0603
R209A.209B.216A.216B.23 1A.231B.236A.236B	008-06812-600-0	CHIP RES. 680 J 0603
R210A.B.213A.B.215A.B.2 30A.B.233A.B.235A.B	008-02722-600-0	CHIP RES. 2.7K J 0603
R211A.B.212A.B.214A.214 B.219A.B.229A.B.232A.B.2 34A.B.873.874.	008-01032-600-0	CHIP RES. 10K J 0603

CHANNEL 13/14~19/20& MASTER PCB-PART LIST

Ref.	Phonic Part No.	Specifications
R217A.B.237A.B.252A.B.2 54A.B.316.317.329.335.33 9.344.711.716	008-01002-600-0	CHIP RES. 10J SMT 0603 PKG
R218A.B.220A.B.222A.B.2 38A.B.241A.B.268A.B.269 A.B.624K.742.743.748.749. 854.866	008-01042-600-0	CHIP RES. 100K J 0603
R223A.B.248A.B.272A.B.3 49.351.365.373.304K.611K .612K.614K	000-10226-400-0	CF RES. 1K J 0.25W T
R239A.B.240A.B.301K.302 K.330.334.340.345.833A-8 36A.833-836	008-03022-600-0	CHIP RES. 3K J 0603
R246A.B.250A.B.318.319.6 02.604.609.611.618.619.62 9.640.651.631.642.652.679 .682	008-01832-600-0	CHIP RES. 18K J 0603
R247A.B.255A.B.260A.B.3 03K.320.322.348.350.358. 359.360.361.364.372.613K .639K	008-03332-600-0	CHIP RES. 33K J 0603
R253A.B.264A.B.346.356.3 62.370.660.670.867.868.86 9.737-740.281A.B.309K.31 0K.311K	008-02222-600-0	CHIP RES. 2.2K J 0603
R262A.B.263A.B.865.312.3 13.327.332.337.342.	008-06822-600-0	CHIP RES. 6K8 J 0603
R271A.B.644.645.654.664. 674.753-758.859. 821C.822C.833B-836B	008-04722-600-1	
R275A.275B	008-01542-600-0	CHIP RES. 150K J 0603
R277A.B.273A.B.274A.B	008-03032-600-0	CHIP RES 30K SMT J 0603 PKG
R278A.B.279A.B	008-08232-600-0	CHIP RES. 82K J 0603
R301.302.303.321.760.762	008-01522-600-0	CHIP RES. 1.5K J 0603
R304.305	008-01242-600-0	CHIP RES. 120K J 0603

CHANNEL 13/14~19/20& MASTER PCB-PART LIST

Ref.	Phonic Part No.	Specifications
R305K.308K.314.315.347. 357.363.371.603K. 604K.615K-620K.622.	008-01032-600-1	
R308.310.665.675.817-820 .829.830	008-01232-600-0	CHIP RES. 12K J 0603
R331.341.326.336	008-03922-600-0	CHIP RES. 3.9K J 0603
R49.50.720.876.744.750.6 21K.634K.640K	000-10206-400-0	CF RES. 1K J 1/8W T
R551A.551B	000-39206-400-0	CF RES 3K9 J 1/8W T
R552A.552B.769.770	000-10106-400-0	CF RES. 100 J 1/8W T
R603.610.635K.636K.860. 661.671.709.714.MR825-8 28.MR837.MR838	008-05622-600-0	CHIP RES. 5.6K J 0603
R607K-610K.625K.625.626 K.626.635.636.646.647.65 8.659.668.669.676.677681. 684.685.	008-07502-600-0	CHIP RES. 75 J 0603
R621.628.638	008-02432-600-0	CHIP RES. 24K J 0603
R623.624.633.634.656.657	008-06832-600-0	CHIP RES. 68K J 0603
R623K	008-01012-600-0	CHIP RES. 100 J 0603
R627K.628K.632.643.655. 662.672.678.683.686.691.6 99.705.708.712.713.717.72 5	008-01032-600-2	
R629K.630K.763A.851.852 .765	008-03322-600-0	CHIP RES. 3.3K J 0603
R632K.633K	008-03622-600-0	CHIP RES. 3.6K J 0603
R637K.638K	008-06232-600-0	CHIP RES. 62K J 0603
R643K.644K.817C-820C.8 21.822.MR821B.822B	008-02222-600-1	
R648.649.801-804.811-814 .805-808	008-02732-600-0	CHIP RES. 27K J 0603
R666.667.680.688.697.703 .745.751	008-05632-600-0	CHIP RES. 56K J 0603
R673.710.715.MR817C-82 0C	008-02212-600-1	
R687.690.696.702	008-01832-600-1	

CHANNEL 13/14~19/20& MASTER PCB-PART LIST

Ref.	Phonic Part No.	Specifications
R689.692.693	008-07502-600-1	
R695.701.MR821.822.256 A.B,257A.B,258A.B,259A.B .266A.B,267A.B,853	008-02232-600-0	CHIP RES. 22K J 0603
R698.704	000-10126-400-0	CF RES. 100 J 0.25W T
R706.707	000-10026-400-0	CF RES. 10 J 0.25W T
R718.719	000-33206-400-0	CF RES. 3K3 J 1/8W T
R723.724.728.729.850.875	008-04732-600-0	CHIP RES. 47K J 0603
R726.727.759.761.766.764 A.815.816.856.857.858.86 2.863.864.642K.276A.B.64 1K	008-01032-600-3	
R730	008-03932-600-0	CHIP RES. 39K J 0603
R731-736	000-15106-400-0	CF RES.150J 1/8W T
R752.746.870.871.872	008-08222-600-0	CHIP RES. 8.2K J 0603
R763.764.855.861.352-355 .366-369	008-01532-600-0	CHIP RES. 15K J 0603
R767.768.	000-82106-400-0	CF RES 820 J 1/8W T
R817A-820A.821A.822A.8 29A.830A.MR821A.822A	008-15422-400-0	CHIP RES. 15K4 F 0603
R817B-820B.829B.830B	008-19122-400-0	CHIP RES. 19.1K F 0603
R821B.822B	008-03632-600-0	CHIP RES. 36K J 0603
R823.823A-823C.824.824A -824C.831.831A.831B.832. 832A.B.839.839A.839B.84 0.840A.B	008-06222-600-0	CHIP RES. 6.2K J 0603
R825-828.837.838	008-40202-400-0	CHIP RES. 402 F 0603
R825A-828A.837A.838A	008-07522-600-0	CHIP RES. 7.5K J 0603
R825B-828B.837B.838B	008-95312-400-0	CHIP RES. 9.53K F 0603
SW201-206.301-305.603-6 06.608.609.801.802	210-02201-440-0	PSH/SW 2P2T SFPC12MC03-PF
SW904.905	210-16000-000-0	ENCODER SDB161PVB20F-1-4-16PC
U201-209.301-304.603-611 .613.615.808	160-00021-300-0	IC NJM2068 SMD JRC
U607 GND TO VR207 GND	379-03251-101-0	M.WIRE UL1007 #22 250MM BLK SP-15/WLS10

CHANNEL 13/14~19/20& MASTER PCB-PART LIST

Ref.	Phonic Part No.	Specifications
U612	160-00018-000-0	IC NJM4556AL JRC
U614	160-00018-200-0	IC BA6822S
U801-807.	160-00022-710-0	IC NJM2058V (SMD)
U809	160-00023-400-0	IC PT2399
U809	211-11162-000-6	IC/S 16P P=2.5 10*20MM
U809 PIN3 TO JP108 PIN4	379-02131-100-0	M.WIRE UL1007 #24 130MM BLK
VR201.210	023-50350-011-0	D.ROT/VR 50KC 30MM P
VR202.203.204.208.211.21 2.213.217	023-50350-001-0	D.ROT/VR 50KB(C.C) 30MM P
VR205.206.207.214.215.21 6.301-307.621	023-20350-001-0	D.ROT/VR 20KA 30MM P
VR209.218.615-619	027-10326-011-0	D.SLD/VR 10KA*2 L=15MM 60MM P
VR601-614.801-806	027-10412-000-0	D.SLD/VR 100KW*2 20MM P
VR620 PIN2	042-27025-050-0	C/C 27PF K 50V T
VR620.622-625.809	022-20350-001-0	S.ROT/VR 20KA L=30MM F=12MM
VR807.808.810	022-20350-010-0	S.ROT/VR 20KB 30MM P

POWER AMPLIFIER VR & SWITCH & FOOT SWITCH PCB-PART LIST

Ref.	Phonic Part No.	Specifications
	290-61860-201-0	POD1860II/1840 AMP SW PCB C+D+E
	382-20005-010-0	TINNER WIRE 5.0MM D0.6
	382-20007-510-0	TINNER WIRE 7.5MM D0.6
	382-20010-010-0	TINNER WIRE 10MM D0.6
C901.905	032-22626-0A0-0	NP E/C 22MF M 16V 5*11 T
C902.907	042-47024-050-0	C/C2 47PF J 50V 5 T
C903.904	046-10304-060-0	M/C 0.01MF J 50V 5 T
C906.908	032-47626-0A0-0	NP E/C 47MF M 16V 6*11 T
C909.910	042-22124-050-0	C/C2 220PF J 50V 5 T
CN106	211-10091-130-0	9P WAFER/S 2532-09 PH=2.5MM 180DEGREE
CN107	211-10061-180-0	6P WAFER/S A2501WV2-6P 180DEGREE
JK612	211-01602-380-0	6D3/J (SCJ-0658-Y)
JP104	212-10023-120-0	2P WAFER/P 480MM UL1007#26
JP105	212-10032-500-0	3P WAFER/P UL1007#24 PH=2.5MM 460MM
R901.905	000-24206-400-0	CF RES 2K4 J 1/8W T
R902.904.906	000-33206-400-0	CF RES. 3K3 J 1/8W T
R903.907	000-10006-400-0	CF RES. 10 J 1/8W T
R908.909	000-10306-400-0	CF RES. 10K J 1/8W T
SW607.902	210-60001-000-0	SLD/SW SLD-43-10
U901	160-00007-510-0	IC NJM2068L JRC
VR901.902	022-10320-203-0	S.ROT/VR 10KB L=17.5MM

POWER AMPLIFIER PCB-PART LIST

Ref.	Phonic Part No.	Specifications
	211-10044-040-0	4P WAFER/S A3963WV2-4P
	290-62280-301-0	POWER AMP PCB POD2280
	382-20005-010-0	TINNER WIRE 5.0MM D0.6
	382-20010-010-0	TINNER WIRE 10MM D0.6
	382-20012-510-0	TINNER WIRE 12.5MM D0.6
	382-20012-510-0	TINNER WIRE 12.5MM D0.6
	526-60073-010-0	HEAT SINK POD2280
BDP01.02	090-10016-000-0	B/DIODE KBPC5006
C501A.501B.521A.521B	030-47686-0A0-0	E/C 47MF M 100V 10*17 T
C503A.503B.507A.507B.51 9A.519B.522A.522B	046-10414-060-0	M/C 0.1MF J 100V 5 T
C504A.504B.520A.520B	042-471A5-050-0	C/C2 470P K 250V 5T
C505A.505B	042-22124-050-0	C/C2 220PF J 50V 5 T
C506A.506B.518A.518B	042-101A6-050-0	C/C2 100PF M 250V 5 T
C508A.508B.514A.514B.C P24.25	030-10736-0A0-0	E/C 100MF M 25V 8*11 T
C509A.B,C517A.B	046-10304-060-0	M/C 0.01MF J 50V 5 T
C510A.510B	046-10204-060-0	M/C 0.001MF J 50V 5 T
C512A.512B	030-10626-0A0-0	E/C 10MF M 16V 5*11 T
C513A.513B	032-10625-0A0-0	NP E/C 10MF K 16V 6.3*11 T
C515A.515B	042-18044-050-0	C/C2 18PF J 100V 5 T
C523A.523B	046-68314-060-0	M/C 0.068MF J 100V T
C524A.524B	042-20124-050-0	C/C2 200PF J 50V 5 T
C525A.525B	042-391A4-050-0	C/C2 390PF J 250V 5 T
C526A.526B	042-102A5-050-0	C/C2 0.001UF K 250V 5T
C527A.527B	042-03020-000-0	C/C2 3PF C 50V 5
C528A.528B.529A.529B	042-10124-050-0	C/C2 100PF J 50V T
C530A.530B	042-103A6-000-0	C/C2 0.01MF M 250V 5
CB24	030-10746-0A0-0	E/C 100MF 35V T
CN608	211-10151-090-0	15P WAFER/S 2532-15 P=2.5MM
CNP1	211-10084-020-0	8P WAFER/S 396108 180 P=3.96MM
CNP2.3.4	211-10021-150-0	2P WAFER/S 5267 A2505 WV P=2.5MM 180DEGREE
CP01.02	030-47888-032-0	E/C 4700MF/100V 35*40MM
CP03.04	030-33866-030-0	E/C 3300UF M 63V 25*30 P

POWER AMPLIFIER PCB-PART LIST

Ref.	Phonic Part No.	Specifications
CP05	030-10768-0A0-0	E/C 100MF Z 63V 10*17 T
CP07.08.09	030-47538-0A0-0	E/C 4.7MF Z 25V 5*11 T
CP11.12	030-22728-0A0-0	E/C 220MF Z 16V 8*11 T
CP13	042-47124-050-0	C/C2 470PF J 50V 5 T
CP14.511A.511B.516A.516 B.	030-10728-0A0-0	E/C 100MF Z 16V 6*11 T
CP15.16	030-10846-000-0	E/C 1000MF M 35V 10*21 T
CP17.19.23	030-47658-0A0-0	E/C 47MF Z 50V 8*11 T
CP18.22	030-47628-0A0-0	E/C 47MF Z 16V 5*11 T
D501A.501B.505A.505B.51 5A.515B.519A.519B	090-02004-000-0	DIODE 1N4935 T
D502A.502B.520A.520B.D ZP03	090-01682-000-0	ZEN/DIODE 6.8V J0.5W UNIZO
D503A.B,511A.B,513A.B,5 14A.B,DP01.02.07	090-00007-020-0	DIODE IN4004 SILTEK T
D506A.506B.507A.507B.51 0A.510B.516A.516B.517A. 517B.DP03-06	090-02000-020-0	DIODE 1N4148 T
D508A.B,518A.B,521A.B,5 22A.B	090-00017-000-0	DIODE LT6A04
D509A.B	090-01123-010-0	Z/DIODE 12V K 0.5W UNIZON
D512A.B	090-01822-000-0	ZEN DIODE 8.2V J 0.5W
DBP01.02	526-10053-110-0	U-HEAT SINK MAR2
DBP01.02	590-54018-200-0	M/E SET SCR. M4.0*18 BLK
DBP01.02	610-60401-001-0	PAN SPR. WAS. D4*7.6*1.0 NI
DBP03	090-10000-000-0	B/DIODE PB154
DPB01.02	600-00403-510-0	HEX. NUT M4.0*3.5 NI
DZP01	090-01223-000-0	Z/DIODE 22V 0.5W IN5251B
DZP02.05	090-01273-010-0	ZEN/DIODE 27V K 0.5W
DZP04	090-01513-110-0	Z/D10DE 51V 1W MOTOROLA
F2*2.F3*2	281-00000-020-0	FUSE CLIP FH-1206
G_LED	315-00017-000-0	GND LUG PC250
HEAT SINK&PCB*7	615-60044-630-0	BOSS L=6.0
IC501A.501B	160-00021-900-0	IC NJM5534D JRC
KP01.02	076-02421-040-0	REALY OZ-SS-124LM1 (942H-1C-240DS-T)

POWER AMPLIFIER PCB-PART LIST

Ref.	Phonic Part No.	Specifications
L501A.501B	075-10082-100-0	INDUCTANCE 1UH K M
PCB*7	610-00301-018-0	FIBER WAS. D3.0*8*1
Q501.501B.503A.503B.514 A.514B.515A.515B.508A.5 08B.UP01.UP02.UP03.QP 02	590-43010-100-0	M/E PAN SCR. M3.0*10 NI
Q501A.501B.503A.503B.5 08A.508B.514A.514B.515A .515B.QP02.UP01.02.03.Q P11	610-60301-006-0	SPR .WAS. D3*D5*1 NI
Q501A.501B.515A.515B	122-00002-500-0	MOSFET IRFP250
Q502A.B,510A.B,516A.B,Q P05	121-00000-200-0	TRAN. 2SA1015 GR TOSHIBA
Q503A.503B	120-00009-500-0	TRAN 2SC4793-M TOSHIBA
Q503B.515A.B	610-00204-500-1	
Q504A.504B	121-00006-100-0	TRAN MJE350 MOTOROLA
Q505A.B	120-00001-400-0	TRAN. 2N5551 MOTOROLA
Q506A.506B	120-00009-400-0	TRAN 2SC3264-Y
Q506A.B*4;Q511A.B*4 QP08 QP11	590-43014-200-0	M/E PAN SCR M3*14 BLK
Q507A.507B	120-00009-700-0	TRAN. BC546B PHILIPS
Q508A.508B.QP08.11	120-00008-800-0	TRAN MJE802 MOTOROLA
Q509A.509B	121-00007-500-0	TRAN. BC556B PHILIPS
Q511A*2.Q511B*2.Q506A* 2.Q506B*2.QP08*1.THP01 *2	610-60301-006-1	
Q511A,B*4.Q506A,B*4.Q5 08A.B.501A.B.514A.B.513 A.B.QP02.08.RTP01.THP0 1.QP11.Q503A.	610-00204-500-0	PLA WAS D3*D8*0.5 NI
Q511A.511B	121-00007-000-0	TRAN 2SA1295-Y
Q512A.B	121-00000-300-0	TRAN. 2N5401 MOTOROLA
Q513A.513B.QP02	120-00005-000-0	TRAN MJE340 MOTOROLA
Q514A.B	121-00007-200-0	TRAN 2SA1837-M TOSHIBA
QP01	122-00000-200-0	FET 2SK30A-GR TOSHIBA
QP03.04.06.07.09	120-00000-800-0	TRAN. 2SC1815 GR TOSHIBA
QP08.11	526-20040-010-0	U- HEAT.SINK POD1860 20*18

POWER AMPLIFIER PCB-PART LIST

Ref.	Phonic Part No.	Specifications
QP08.RP11 BOSS&PCB*1	600-00302-010-0	HEX. NUT M3.0*2.0 NI
R501A.501B.543A.543B.	000-33026-400-0	CF RES. 33 J 0.25W T
R502A.502B.512A.512B.51 6A.516B.517A.517B.521A. B	000-10226-400-0	CF RES. 1K J 0.25W T
R503A.B.527A.B	000-15336-400-0	CF RES. 15K J 0.5W T
R504A.504B.507A.507B.53 9A.539B	000-51026-400-0	CF RES. 51 J 0.25W T
R505A.505B.541A.541B	000-82126-400-0	CF RES. 820 J 0.25W T
R506A.506B.542A.542B	000-68026-400-0	CF RES. 68 J 0.25W T
R508A.508B.509A.509B.53 2A.532B.534A.534B.540A. 540B	000-10326-400-0	CF RES. 10K J 0.25W T
R510A.B	000-10026-400-0	CF RES. 10 J 0.25W T
R511A.511B.537A.537B	000-47736-400-0	CF RES.4.7 1/2WT
R513A.513B.518A.518B.53 1A.531B.536A.536B.549A. 549B.550A.550B.RP09	000-22226-400-0	CF RES. 2K2 J 0.25W T
R514A.514B.523A.523B.R P15-18	000-39226-400-0	CF RES. 3K9 J 0.25W T
R515A.515B.533A.533B	000-10136-400-0	CF RES. 100 J 0.5W T
R519A.519B	006-53012-440-0	MF RES. 5.3K F 0.25W T
R520A.B.529A.B	003-10093-600-0	CE MENT 0.1 5W J
R522A.522B.526A.526B	000-20326-400-0	CF RES. 20K J 0.25W T
R524A.524B.530A.530B	000-10426-400-0	CF RES. 100K J 0.25W T
R525A.525B	000-15426-400-0	CF RES. 150K J 0.25W T
R528A.528B	000-33326-400-0	CF RES. 33K J 0.25W T
R535A.535B.RP23	000-33126-400-0	CF RES. 330 J 0.25W T
R538A.538B	000-30326-400-0	CF RES. 30K J 0.25W T
R545A.B	003-10071-600-0	CEMENT RES. 10 J 2W AL
R547A.547B	000-27426-400-0	CF RES. 270K J 0.25W T
R548A.548B	000-18326-400-0	CF RES. 18K J 0.25W T
RP01	000-15226-400-0	CF RES. 1K5 J 0.25W T
RP02	000-39726-400-0	CF RES 3.9J 1/4W T
RP03	000-30226-400-0	CF RES. 3K J 0.25W T
RP04.05	000-68226-400-0	CF RES. 6K8 J 0.25W T

POWER AMPLIFIER PCB-PART LIST

Ref.	Phonic Part No.	Specifications
RP06.07.08	000-22426-400-0	CF RES. 220K J 0.25W T
RP10	000-68326-400-0	CF RES. 68K J 0.25W T
RP11.RP24	000-10126-400-0	CF RES. 100 J 0.25W T
RP12	006-10022-440-0	MF RES. 10K F 0.25W T
RP13.14	003-10073-601-0	CEMENT RES. 10 J 5W U
RP19.20.21.26	000-18336-400-0	CF RES. 18K J 1/2W
RP22.27	000-12126-400-0	CF RES. 120 J 0.25W T
RP25	000-18246-220-0	CF RES. 1.8K J 1W P
RTP01.02	011-10020-001-0	THERMISTER NSA05C310-301
THERMAL SWITCH/HEAT SINK/PCB*8 RTP01.02	590-43006-100-0	M/E PAN SCR. M3.0*6 NI
THP01	210-10090-001-0	TMP/SW US-602SXRFQC
THP01	211-10021-161-0	2P WAFER/S TJC3-2A P=2.5MM 180DEGREE
THP01(POWER_AMP)*1	212-10023-250-0	2P WAFER/P 200mm UL1007#22 P=2.5MM
UP01	160-00005-909-0	IC 7815
UP01.02.03	313-00000-000-0	TRANSISTOR WASHER TO-220
UP01.02.03.	314-00000-050-0	BUSHES 602S(V.0) 180 DEGREE
UP02	160-00002-909-0	IC 7915
UP03	160-00004-114-0	IC UPC7805H NEC (KIA)
VRP501A.501B	020-47138-000-6	T/VR 470J T-085C-B470 0.5W

EFFECT PROCESSOR & SPEAKER OUT & POWER SWITCH & HEADPHONES PCB-PART LIST

Ref.	Phonic Part No.	Specifications
	290-62280-400-0	POD2280 D.S.P PCB
	382-20005-010-0	TINNER WIRE 5.0MM D0.6
BC1-16.18-22.C2.3.7.22.24	042-10426-050-0	C/C2 0.1MF M 50V 5 T
BP1	212-10260-000-0	26P WAFER/P 55MM PH=2.54MM
C1.10.13.15.16.21.23	030-10636-0A0-0	E/C 10MF M 25V 5*11 T
C11.12	042-22225-050-0	C/C2 0.0022MF K 50V 5 T
C17.18.19	042-33024-050-0	C/C2 33PF J 50V 5 T
C20	030-10556-0A0-0	E/C 1MF M 50V 5*11 T
C5.6.9	030-22636-0A0-0	E/C 22MF 25V Z 5*11 T
CN104	211-10021-161-0	2P WAFER/S TJC3-2A P=2.5MM 180DEGREE
CN105.601	211-10031-171-0	3P WAFER/S TJC3-3A PH=2.5MM 180DEGREE
CR1.2	090-02000-020-0	DIODE 1N4148 T
D1	090-00000-020-0	DIODE 1N4001 SILITEK T
F1*2	281-00000-020-0	FUSE CLIP FH-1206
GND	610-30301-001-0	TOOTH WAS. D3*D8*1 NI
J2.3.4	211-09041-010-0	4P B.E/S
JK609	211-01602-560-0	6D4/J YLJ-6405-300 (NUT&WASHER)
JK901.902	211-03400-021-0	SPEAKON/J SVP563S-CH
L1.2.3.X1	382-20012-510-0	TINNER WIRE 12.5MM D0.6
LD1.	100-01108-000-0	LED BAR TOA-12Zx 8Y
LED2.3.4.5	100-01108-010-0	LED BAR TOA-L2820Zx 8Y
MC1	058-68325-100-0	MEX-683K 0.068MF/250V 18*13.5 P=15
Q1.2.15	120-00004-600-0	TRAN. 2SC1740 LN-R ROHM
Q3.5.7.9.17.18	121-00000-200-0	TRAN. 2SA1015 GR TOSHIBA
Q4.6.8.10-14	120-00000-800-0	TRAN. 2SC1815 GR TOSHIBA
R1.17	000-10406-400-0	CF RES. 100K J 1/8W T
R13	000-33406-400-0	CF RES 330K J 1/8W T
R14.22-34.36.53.54.58.59. 60.61.63.64.67. 68.69.70	000-10306-400-0	CF RES. 10K J 1/8W T
R18	000-47706-400-0	CF RES 4.7 J 1/8W T
R2	000-22706-400-0	CF RES 2.2 J 1/8W T
R3.4.11.12.15.35	000-10206-400-0	CF RES. 1K J 1/8W T

EFFECT PROCESSOR & SPEAKER OUT & POWER SWITCH & HEADPHONES PCB-PART LIST

Ref.	Phonic Part No.	Specifications
R37	000-47306-400-0	CF RES. 47K J 1/8W T
R38.41.43.45.47	000-33206-400-0	CF RES. 3K3 J 1/8W T
R39.40	000-22406-400-0	CF RES. 220K J 1/8W T
R42.44.46.48	000-10226-400-0	CF RES. 1K J 0.25W T
R5.6	000-22206-400-0	CF RES. 2K2 J 1/8W T
R55.56	000-47206-400-0	CF RES 4.7K J 1/8W T
R57	000-56126-400-0	CF RES. 560 J 0.25W T
R62	000-10006-400-0	CF RES. 10 J 1/8W T
R66	000-22106-400-0	CF RES. 220 J 1/8W T
R7.9	000-22306-400-0	CF RES. 22K J 1/8W T
R8.10.16	000-51106-400-0	CF RES. 510 J 1/8W T
RP1	017-08090-010-0	NETWORK RES. A8-332 J 9P 3.3K
SPK OUT	212-10041-190-0	4P WAFER/P 400MM UL1015#18 P=3.96
SW1	210-02101-030-0	PSH/SW PA-03S-A1
U1	177-04022-000-0	IC AK4522A-VF VSOP AKM
U10	171-00000-310-0	CMOS IC HD74HC74P HITACHI
U11	170-00007-000-0	TTL IC 74HC393 SMD
U12	171-00000-220-0	CMOS IC HD74HC04N (SMT)
U2	177-01004-700-0	IC BS62LV1024SC-70 SOP BSI
U3	177-04013-000-0	CHIP ART FX DSP2 84P JAPAN 100-1365-102
U4	177-01003-510-0	IC M27C512-12 SINGAPORE WINBOND
U4	211-11282-001-0	IC/S 28P 17*35MM
U5	171-00002-900-0	CMOS IC PC74HC374P
U6	171-00002-800-0	CMOS IC PC74HC30P
U7.8	177-02000-301-0	GAL IC 16V8D-15 LP LATTICE
U7.8	211-11202-002-0	IC/S 20P 9.8*25MM
U9	171-00003-500-0	CMOS IC 74HC14 HITACHI
X1	300-16004-003-0	CRYSTAL 16.000MHZ

MISCELLANEOUS ITEMS

Ref.	Phonic Part No.	Specifications
	070-60008-820-0	X'MER 115/230V 800W POD2280
	510-60896-100-0	PANEL POD2280
	511-60465-100-0	BACK PANEL POD2280
	512-20530-220-0	LF SIDE PANEL POD1860 BLACK MATERIAL:ABS
	512-20540-220-0	RT SIDE PANEL POD1860 BLK MATERIAL:ABS
	517-60945-000-0	BOTTOM COVER POD2280
	524-60011-020-0	POD2280 HANDLE L=534.4MM
	525-00019-020-0	FEET D25*16 (FFT-3)
	551-20051-400-0	LF BRKT. POWERPOD1860
	551-20055-400-0	BRKT POWERPOD1860
	551-60017-000-0	HEAT SINK BRACKET LEFT
	551-60018-000-0	HEAT SINK BRACKET RIGHT
	551-60058-000-0	FAN BRKT SECC T=1.0MM
	553-60003-481-0	SHIELD PLATE SIZE:209.3*149.5*0.5
	553-60015-401-0	TINPLATE SIZE:365.5*210.3*0.5
	560-60136-000-0	CARTON 734*642*232 EPE+A=B
	561-60118-000-0	G/B 722*628*205EPE+A=B 300g
	562-60258-000-0	UP PULP PANEL
	562-60259-000-0	DOWN PULP PANEL
	568-10065-000-0	PE BAG 1000*650*0.05
	572-00000-050-0	DRYER 5g
	573-10124-010-0	GND LABEL MAR2
	573-60240-000-0	BAR CODE LABEL PHONIC SERIES LABEL
	573-60317-032-0	PANEL PVC POD2280
	573-60343-000-0	LABEL BLUE D=8mm
	574-6A098-010-0	OWN. MANU. POD2280
	579-00000-068-0	MINI CATALOG PHONIC SERIES
	610-00300-502-0	PLA. WAS. D3.0*D7.0*0.5 BLK
	630-60023-411-0	MYLAR TAPE PLATE SIZE: 154*97*0.5MM
	631-20034-000-0	HEMELON 17*12MM

MISCELLANEOUS ITEMS

Ref.	Phonic Part No.	Specifications
+48V*12 MUTE*16 PFL*17 AFL*6 AUX/EFX*1 A/B*2 EFFECT ON*1	542-60090-122-0	P/KNOB 9.5*5.5*8 LOW WHT
ALL D6.3 PHONE/J*50	610-20901-001-0	TOOTH WAS D9*12*1 NI
ALL EQ VR *20	631-20032-000-0	HEMELON 36*10MM
ALL SLD/VR*19 LED BAR*2	631-20026-000-0	HEMELON 80*15
AUX/MONI&35 EFFECT*14 TAPE IN*1	540-60148-520-0	R/KNOB 12.0 430C(GREY)BODY+WHT CAP
BACK CHASSIS *1 CHASSIS*1	630-20035-410-0	INSU 70*60MM TAPE
BACK PANEL SLD/SW*2	631-10027-000-0	HEMELON 24*12
CH1-16 MUTE LED*14 AFL LED*5	631-20029-000-0	HEMELON 10*10
CH17/18&CH19/20 LEVEL*2 DRIVE LEVEL*1	540-60148-420-0	R/KNOB 12 WHT BODY+430C(GREY) CAP
CHANNEL PCB BACK SIDE	553-60008-400-0	TINPLATE SIZE:369*322*0.5MM
CHANNEL PCB BACK SIDE	630-60044-410-0	MALAR TAPE SIZE:369*322*0.5
CHASSIS ON THE TOP OF TRANSFORMER	550-20036-400-0	CHASSIS (B) POWERPOD1860
CHASSIS*1	553-20007-480-0	X'MER SHIELD PLATE(B) 218.9*187.6*0.2 T
CHASSIS*1	553-20008-480-0	X'MER SHIELD PLATE(C)187.4*184.7*0.2 T
DISPLAY PCB*8	590-53008-100-0	M/E SET SCR. M3.0*8 NI
EFFECT*1 DIGITAL DELAY*1	541-60009-220-0	S/KNOB BLK BODY+WHT POINT
FAN & FAN BRACET*8 FIXED X'MER SHIELD CO VER*4	590-53008-200-0	M/E SET SCR. M3.0*8 D=6 BLK
FAN1.2	347-00000-200-0	FAN SP802524H 24VDC
FAN2-5	347-00000-230-0	FAN SP401012H
FAN2-5	528-20011-100-0	FAN NET FG-04 POD1860
FEET*6	525-20006-000-0	FEET D10.8*3 (R1003)

MISCELLANEOUS ITEMS

Ref.	Phonic Part No.	Specifications
FIX PANEL&BACK PANEL*3.BACK PANEL&BOT CO VER*5	590-53006-100-0	M/E SET SCR. M3.0*6 NI
FIX RCA JACK*1	591-43008-100-0	T/P PAN SCR. M3*8 NI
FIXED DIGITAL PCB	615-60043-620-0	BOSS HP-12A M3.0*12.0
FIXED HANDLE	551-20052-400-0	RT BRKT POWERPOD1860
FIXED HANDLE	551-20053-420-0	BRACKET POWERPOD1860
FIXED RCA JACK*1	591-43008-200-0	T/P PAN SCR. D3.0*8 BLK
FIXED TIE CABLE*20	321-00000-070-0	CABLE TIE HW-100MM
FIXED WIRE	552-20048-420-0	ADHESIVE FIXED FW-5D-3M
FIXED XLR*24	591-03008-200-0	T/P FLT SCR. D3.0*8 BLK
FIXEDFEET*4,BRACKET* 4	591-54012-200-0	T/P SET SCR. D4.0*12 BLK
FIXEDPCB*2 FIXED MUTE SW*2	552-10145-000-0	L-FIXED ZNW
FIXED 下 CAP&HANDLE*4,MAIN PCB TO BOSS*17,MYLAR PALTE TO PCB*1 CH PCB TO BOSS	590-53010-200-0	M/E SET SCR. M3.0*10 BLK
FOAMER	566-20059-010-0	SPONGE 170*10*3MM TAPE
FOAMER E/C 4700MF	566-10015-010-0	SPONGE 40*10*5
FOR BIG FAN	573-60163-000-0	FAN BLACK LABEL D=36MM
FOR CHANNEL SLIDE VR*14	541-20200-420-0	S/KNOB 25*13*9.4 WHT BODY+BLK POINT
FOR SMALL FAN*3	573-60162-000-0	FAN BLACK LABEL,D=22MM
FREQUENCY*12	540-60148-820-0	R/KNOB12 430C(GEY)BODY +5265C(PUR)CAP
GAIN*14, CTRL ROOM*1, MASTER AUX/MONI/MO NO&3 TIME/REPEAT*2	540-60148-620-0	R/KNOB12 430C(GEY)BODY +491C(RED)CAP
GND	600-00602-010-0	HEX. NUT M6.0*2.0 NI
GND*1	610-30600-601-0	TOOTH WAS. D6.0*D11*0.6 NI
GND*1	615-10001-130-0	EARTH BOSS 2+5 NI
GND*1	615-10002-130-0	EARTH BOSS 10+5 NI (EARTH FOR GROUND)

MISCELLANEOUS ITEMS

Ref.	Phonic Part No.	Specifications
HEAT SINK BRACKET*4, FIXED LF BRKT*2, FIXED RT BRKT*2. FIX FAN BRKT & BOT COV*4	590-53006-200-0	M/E SET SCR. M3.0*6 BLK
HIGH/MID/LOW*42	540-60148-720-0	R/KNOB 12 430C(GEY)BODY +647C(BLUE)CAP
L PANEL & GAIN PCB*2 DISPLAY*10 FIXED PCB NUT*2	610-00301-018-0	FIBER WAS. D3.0*8*1
L/FIXED & GAIN PCB*2 FIXED MUTE SW*4	590-42605-100-0	M/E PAN SCR. M2.6*5 NI
L/R PANEL *10, CAP PANEL *4	590-54006-200-0	M/E SET SCR. M4*6 BLK
LUG FOR GROUND*1	315-00005-000-0	LUG 6D
MASTER PCB BACK SIDE	630-60050-410-0	MALAY TAPE
OWN. MANU.	568-00003-000-0	PE BAG #10 240*340*0.05
P/SW BACK PANEL *2	615-20023-630-0	BOSS 15+5
PAN & BALANCE*14	540-60148-920-0	R/KNOB 12 430C(GRAY)BODY +432C(DEEP GRAY)CAP
PANE TO BACK PANEL*3	591-53006-200-0	T/P SET SCR. M3.0*6 BLK
PANEL & MAIN PCB *22	615-20088-620-0	SPACER SUPPORT H-16
PANEL PCB BACK SIDE	553-60011-400-0	SHIELD PLATE SIZE: 390*206*0.5MM
PANEL *16	590-03008-200-0	M/E FLT SCR. M3.0*8 BLK D=6
PANEL *5	590-03008-100-0	M/E FLT SCR. M3.0*8 NI
POWER SW*2	590-43006-100-0	M/E PAN SCR. M3.0*6 NI
POWER/SW*1	542-20150-120-0	P/KNOB 13.5*10.5*10.5H BLK 3*3
PROGRAM*1 VARIATION*1	540-20310-321-0	R/KNOB 430C BODY+491C CAP 13*18H 17MM
PWR-SW F1*1	518-20200-020-0	FUSE COV FH-IL POWERPOD1860
SELECTIVE VOLTAGE *1	618-14180-662-0	SPEC FIXED PIN SR-2 WHT
SMALL FAN	212-10022-200-0	2P WAFER/P 120MM
SMALL FAN*12	590-53018-100-0	M/E SET SCR. M3.0*18 NI
SPEAK ON/J*4	590-03010-100-0	M/E FLT SCR M3.0*10 NI

MISCELLANEOUS ITEMS

Ref.	Phonic Part No.	Specifications
SPEAKER*4, FIXED MYLAR*3 FOR SMAIL FA N*12 MYLAR PLATE TO MAIN PCB*1 PWRON/J*2	600-00302-010-0	HEX. NUT M3.0*2.0 NI
TINPLATE	610-00352-016-0	FIBER WAS. D3.5*7*2 (RED)
TINPLATE FOR GROUND	379-05630-151-0	M.WIRE UL1007 #18 63MM GRN
TINPLATE TO PCB BOSS*19	590-53012-200-0	M/E SET SCR. M3.0*12 BLK
ZONE2*1 MAINL/R*2	541-20200-720-0	S/KNOB 25*13*9.4 GRY(432C)BODY+WHT POINT
	S01-58000-000-0	POD2280 PHONIC MATERIAL
	510-60896-100-F	PANEL POD2280
	511-60465-100-F	BACK PANEL POD2280
	517-60945-000-F	BOT COV POD2280
	551-20051-400-F	LF BRKT POD1840/1860II/2280
	551-20052-400-F	RT BRKT POD1840/1860II/2280

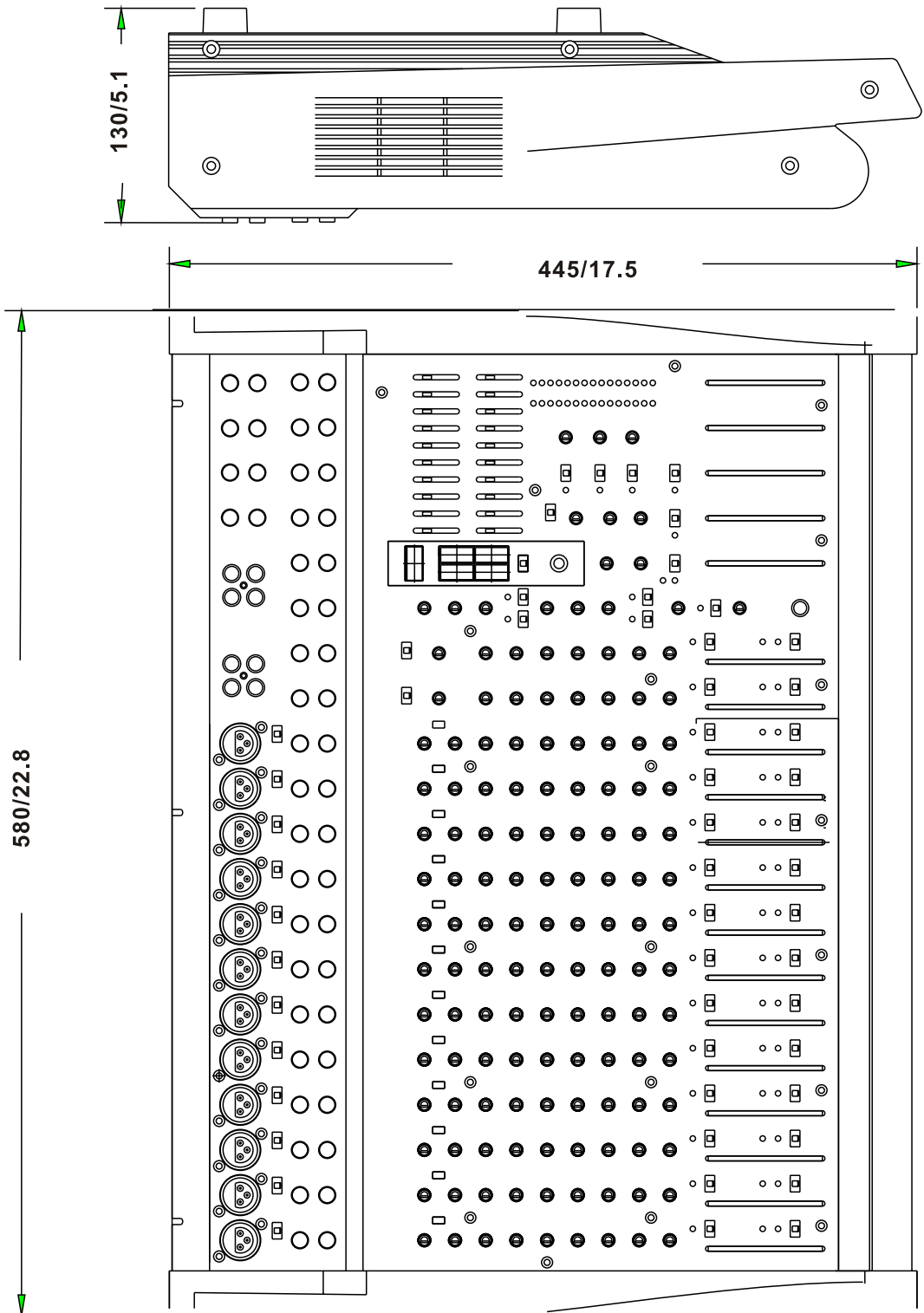
POWER REQUIREMENT CLASSIFICATION

Ref.	Phonic Part No.	Specifications
<u>IEC</u>		
	370-23610-902-0	P/CORD 230V 15A 2.5M 3P
	527-11000-000-0	STR.REL BUSHING 6W3-4 R (6N3-4)
	573-20331-010-0	FUSE LABEL T8AL 250V(12*2.5)
F1	280-80266-000-0	FUSE T8A/250V UL/CSA S
F2.3	280-20263-000-0	FUSE T2A 250V VDE S
X'MER WIRE*3	307-00000-000-0	CORD CONNECTOR HW-C4
<u>BS</u>		
	370-26640-432-6	P/CORD 250V/15A 2.5M 3P BS
	527-11000-000-0	STR.REL BUSHING 6W3-4 R (6N3-4)
	573-10032-010-0	POWER LABEL (ONLY USED IN BS)
	573-20331-010-0	FUSE LABEL T8AL 250V(12*2.5)
F1	280-80266-000-0	FUSE T8A/250V UL/CSA S
F2.3	280-20263-000-0	FUSE T2A 250V VDE S
X'MER WIRE*3	307-00000-070-0	CORD CONNECTOR C5
<u>JIS</u>		
	370-24610-602-0	P/CORD 100V 12A 2.5M 1MM/2P JIS
	527-11000-000-0	STR.REL BUSHING 6W3-4 R (6N3-4)
	573-20334-010-0	FUSE LABEL 15A 250V(12*2.5)
F1	280-1531B-000-6	FUSE 15A/125V UL/CSA/JIS 5*20MM
F2.3	280-2026B-001-0	FUSE 2A 250V UL/CSA/JIS S
X'MER WIRE*2	307-00000-000-0	CORD CONNECTOR HW-C4
<u>SA</u>		
	370-15020-829-0	P/CORD 15A/250V 1.0MM*3 6F 3P
	527-11000-000-0	STR.REL BUSHING 6W3-4 R (6N3-4)
	573-20331-010-0	FUSE LABEL T8AL 250V(12*2.5)
F1	280-80266-000-0	FUSE T8A/250V UL/CSA S
F2.3	280-20263-000-0	FUSE T2A 250V VDE S
X'MER WIRE*3	307-00000-070-0	CORD CONNECTOR C5

POWER REQUIREMENT CLASSIFICATION

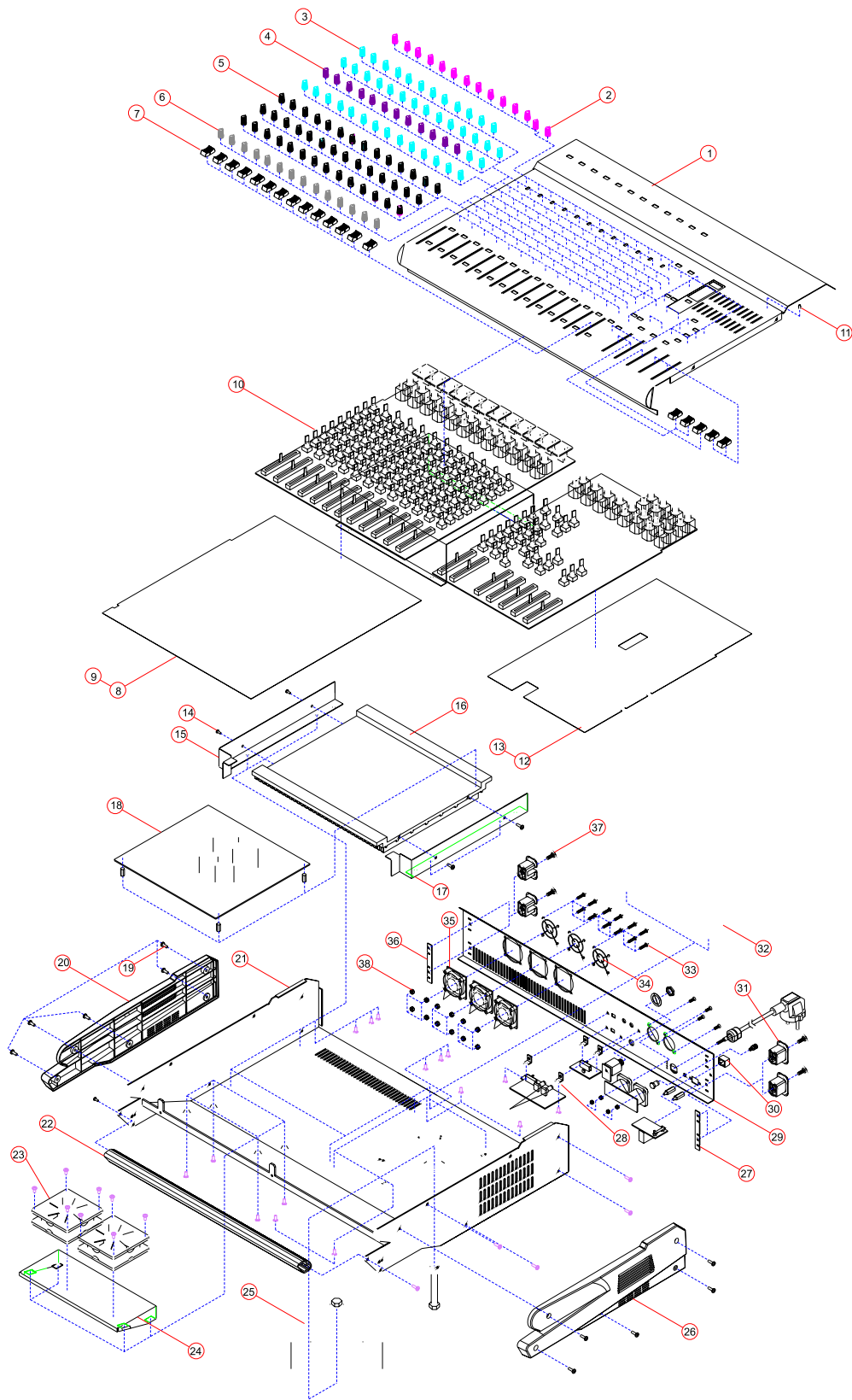
Ref.	Phonic Part No.	Specifications
<u>SAA</u>		
	370-12640-631-6	P/CORD 15A/250V 3P 2.5M (1.0)SAA
	527-11000-000-0	STR.REL BUSHING 6W3-4 R (6N3-4)
	573-20331-010-0	FUSE LABEL T8AL 250V(12*2.5)
F1	280-80266-000-0	FUSE T8A/250V UL/CSA S
F2.3		FUSE T2A 250V VDE S
	280-20263-000-0	
X'MER WIRE*3	307-00000-070-0	CORD CONNECTOR C5
<u>UL</u>		
	370-08810-702-0	P/CORD 120V20A 2.5M 2.0MM/3PUL/CSA
	527-15000-000-0	STR.REL. BUSHING SB6R-6
	573-20334-010-0	FUSE LABEL 15A 250V(12*2.5)
F1	280-1531B-000-6	FUSE 15A/125V UL/CSA/JIS 5*20MM
F2.3	280-2026B-001-0	FUSE 2A 250V UL/CSA/JIS S
X'MER MIRE*2	307-00000-000-0	CORD CONNECTOR HW-C4

DIMENSIONS



Dimensions are shown in mm/inch.

EXPLODED VIEW



PHONIC
WWW.PHONIC.COM