

POWERED MIXER

POWERPOD **615 REV. 1**

# SERVICE MANUAL



**PHONIC**  
[www.phonic.com](http://www.phonic.com)

POWERED MIXER

**POWERPOD 615 REV. 1**

**SERVICE MANUAL**

**CONTENTS**

**PANEL LAYOUT.....3**

**SYSTEM BLOCK DIAGRAM.....4**

**PCB**

MAIN BOARD PCB.....5

EFFECT PCB.....6

POWER AMPLIFIER PCB.....7

POWER SWITCH & SPEAKER OUT PCB.....8

**SCHEMATIC**

CHANNEL 1~2 IN/OUT SCHEMATIC.....9

CHANNEL 3~4 IN/OUT SCHEMATIC.....10

CHANNEL 5~6 IN/OUT SCHEMATIC.....11

TAPE IN, REC OUT & MAIN OUT SCHEMATICS.....12

EFFECT PROCESSOR - CONTROL SCHEMATIC .....13

EFFECT PROCESSOR - DSP SCHEMATIC.....14

MONITOR & EFFECT OUT SCHEMATICS .....15

POWER SUPPLY & POWER SWITCH & SPEAKER OUT SCHEMATICS .....16

POWER AMPLIFIER SCHEMATIC.....17

**PART LIST**

MAIN BOARD PCB-PART LIST.....18

POWER AMPLIFIER & SPEAKER OUT & POWER SWITCH PCB-PART LIST.....23

EFFECT PCB-PART LIST.....27

MISCELLANEOUS ITEMS.....29

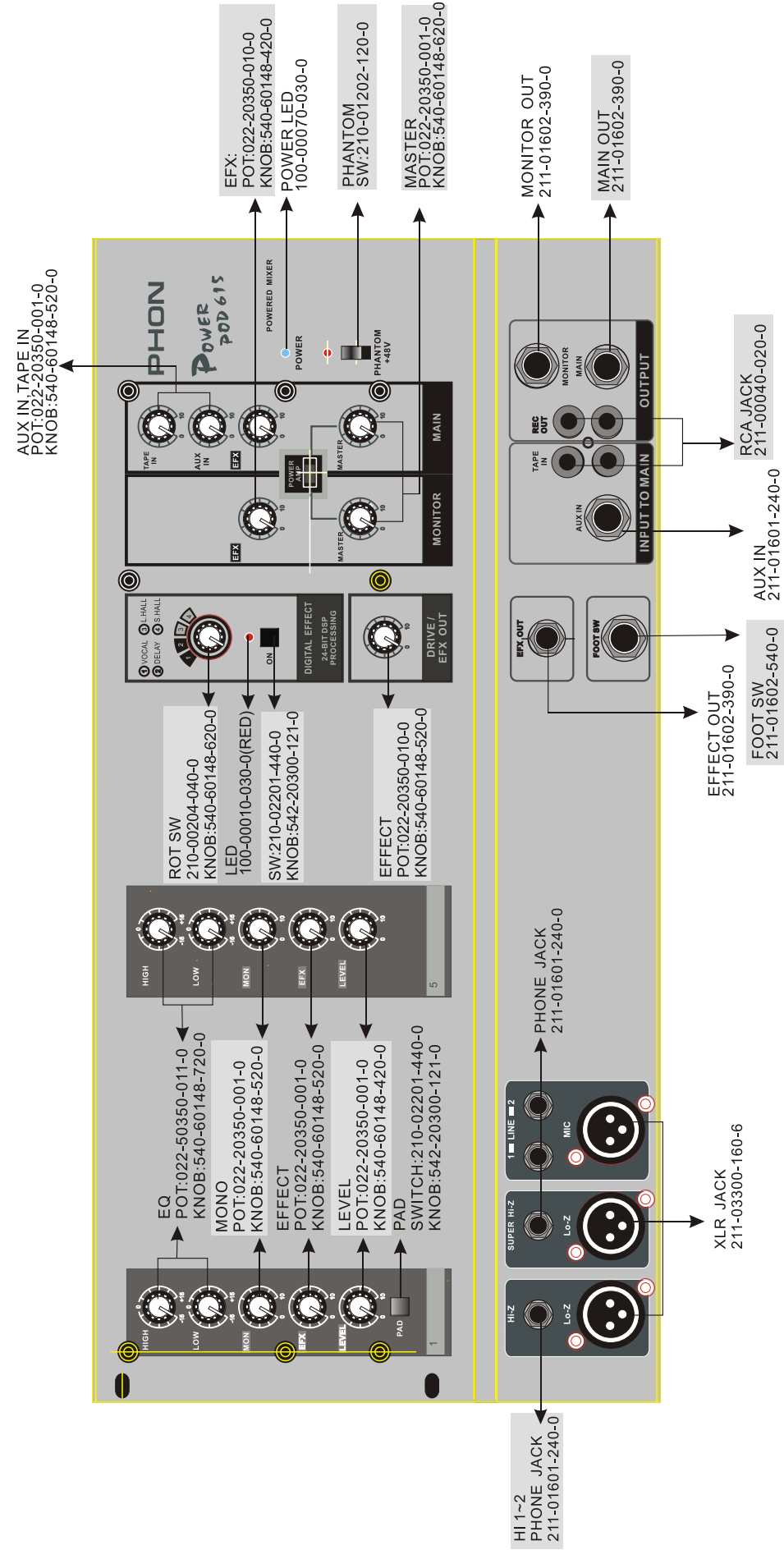
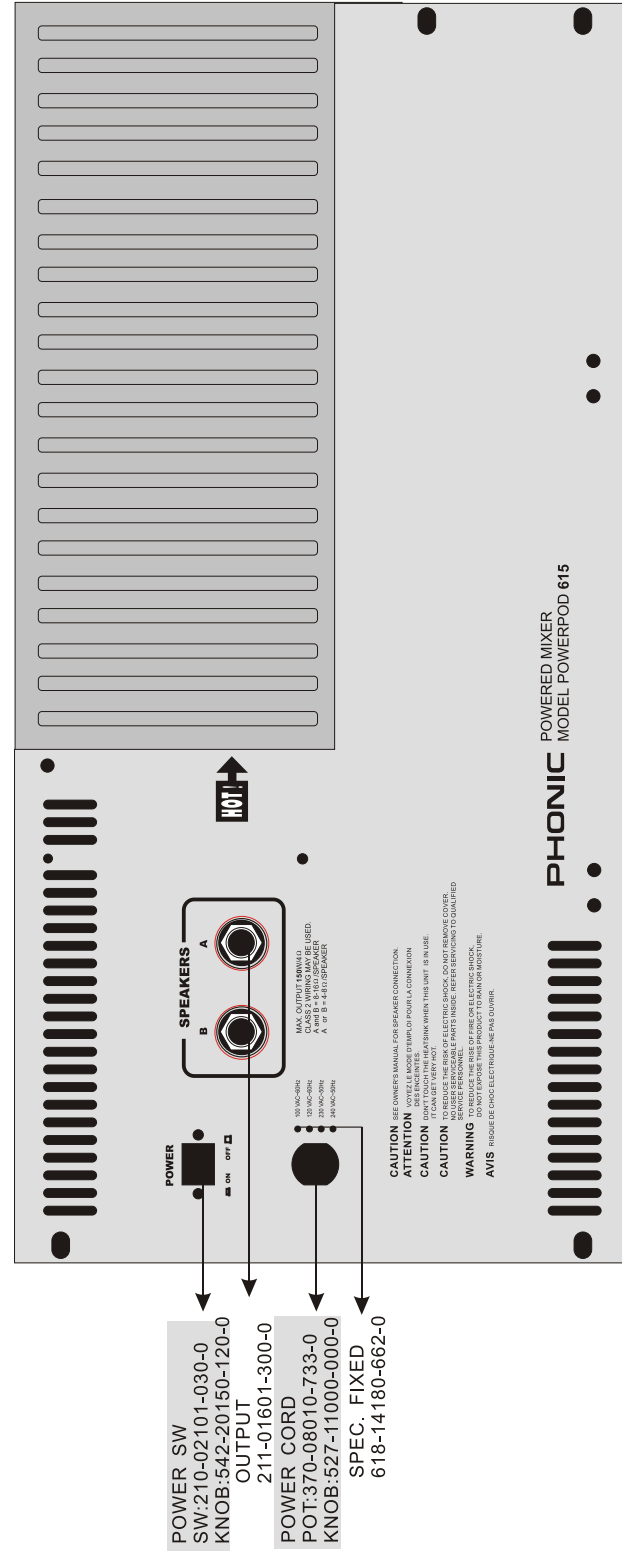
POWER REQUIREMENT CLASSIFICATION.....32

**DIMENSIONS.....34**

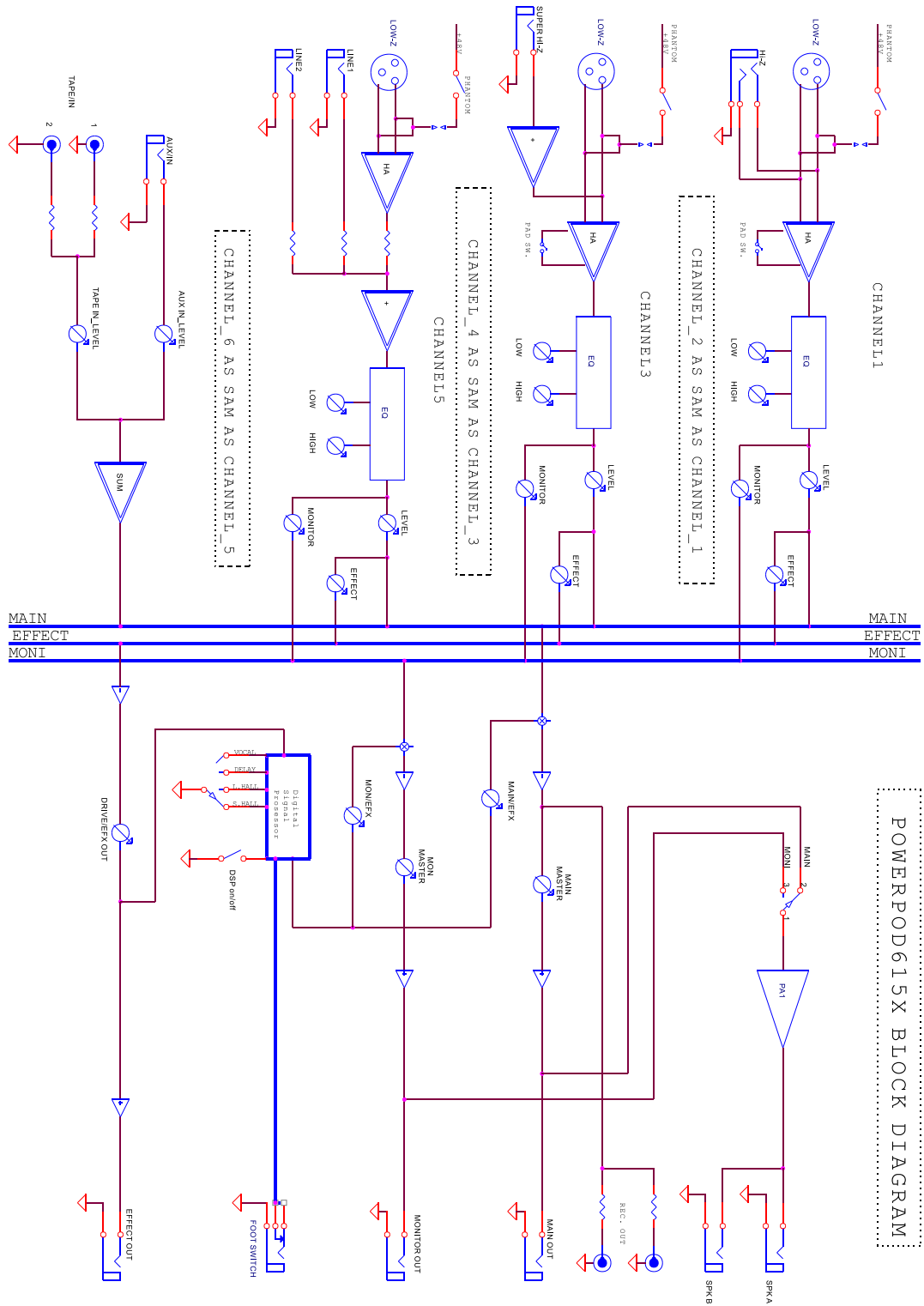
Phonic reserves the right to improve or alter any information supplied within this document without prior notice.

V2.1  
09/17/02

POWERPOD 615 REV. 1

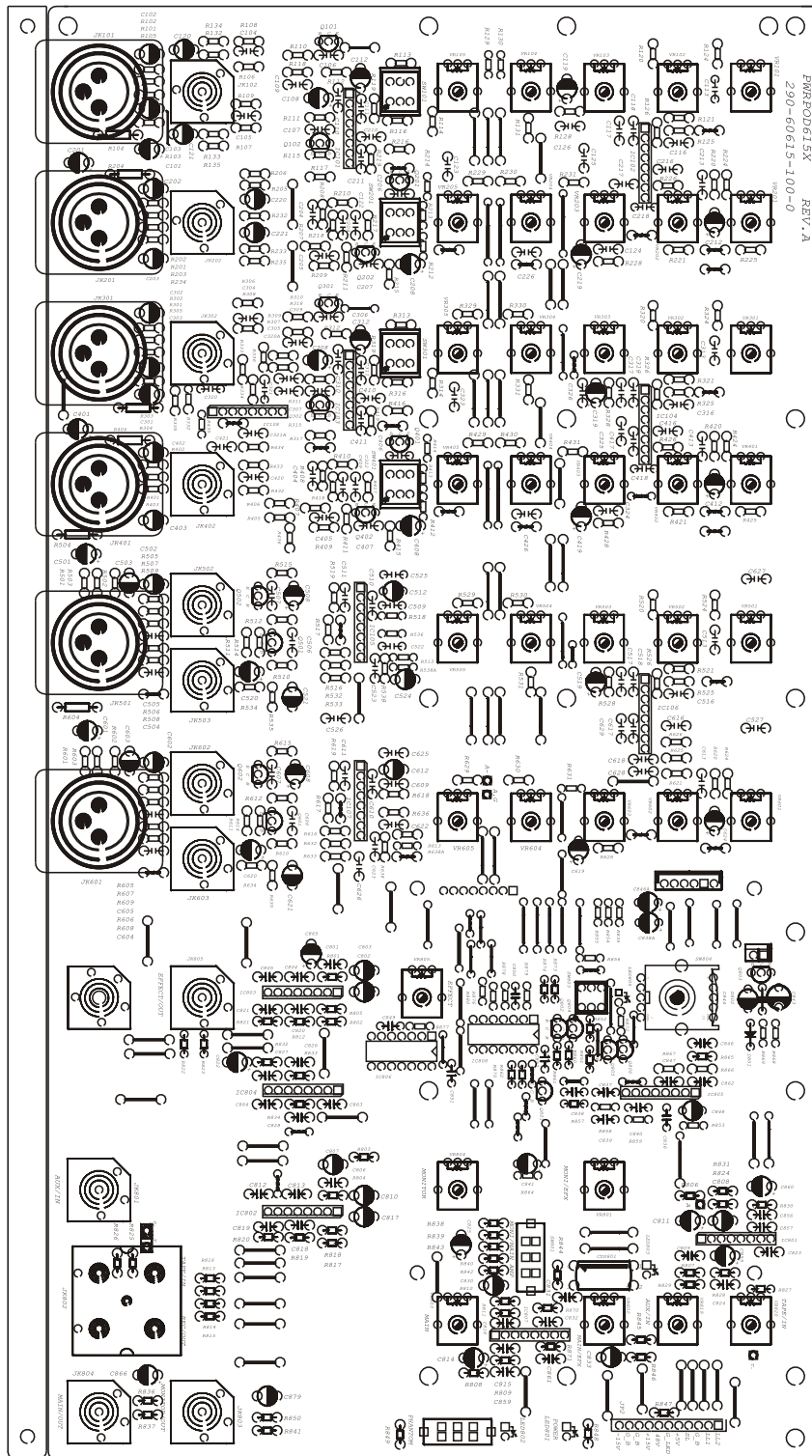


SYSTEM BLOCK DIAGRAM

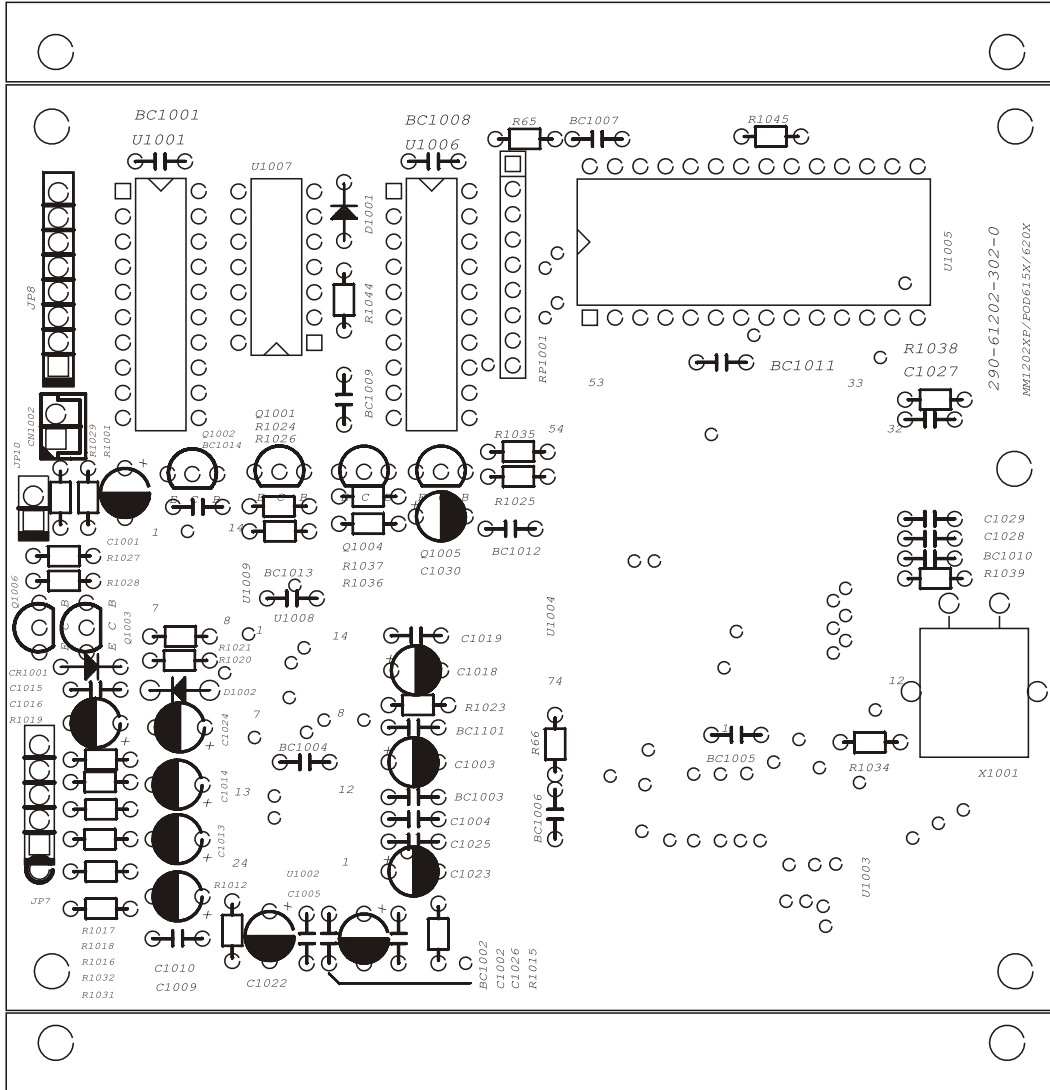


POWERPOD615X BLOCK DIAGRAM

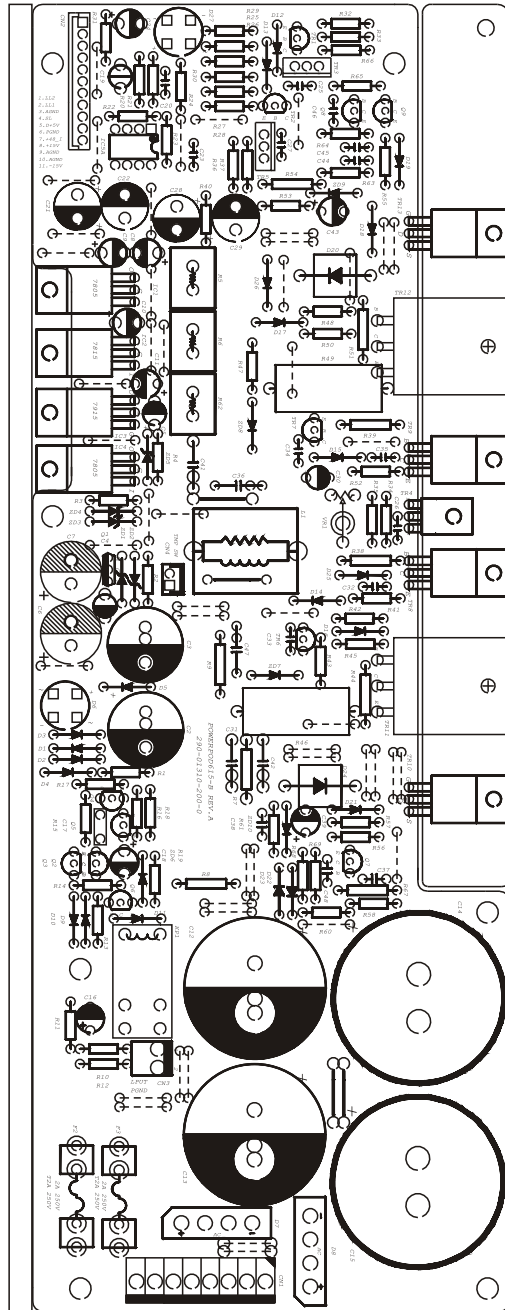
MAIN BOARD PCB



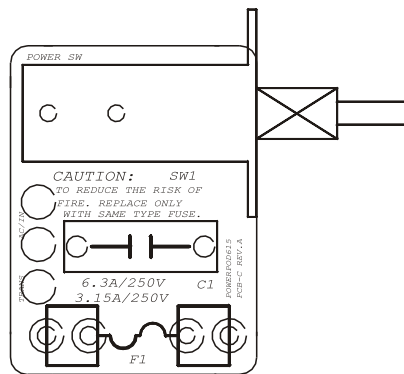
EFFECT PCB



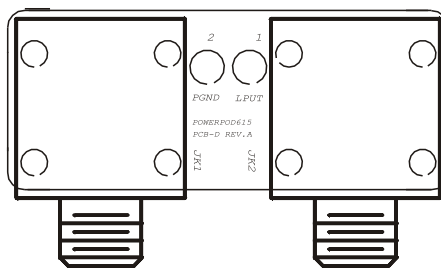
POWER AMPLIFIER PCB



POWER SWITCH & SPEAKER OUT PCB



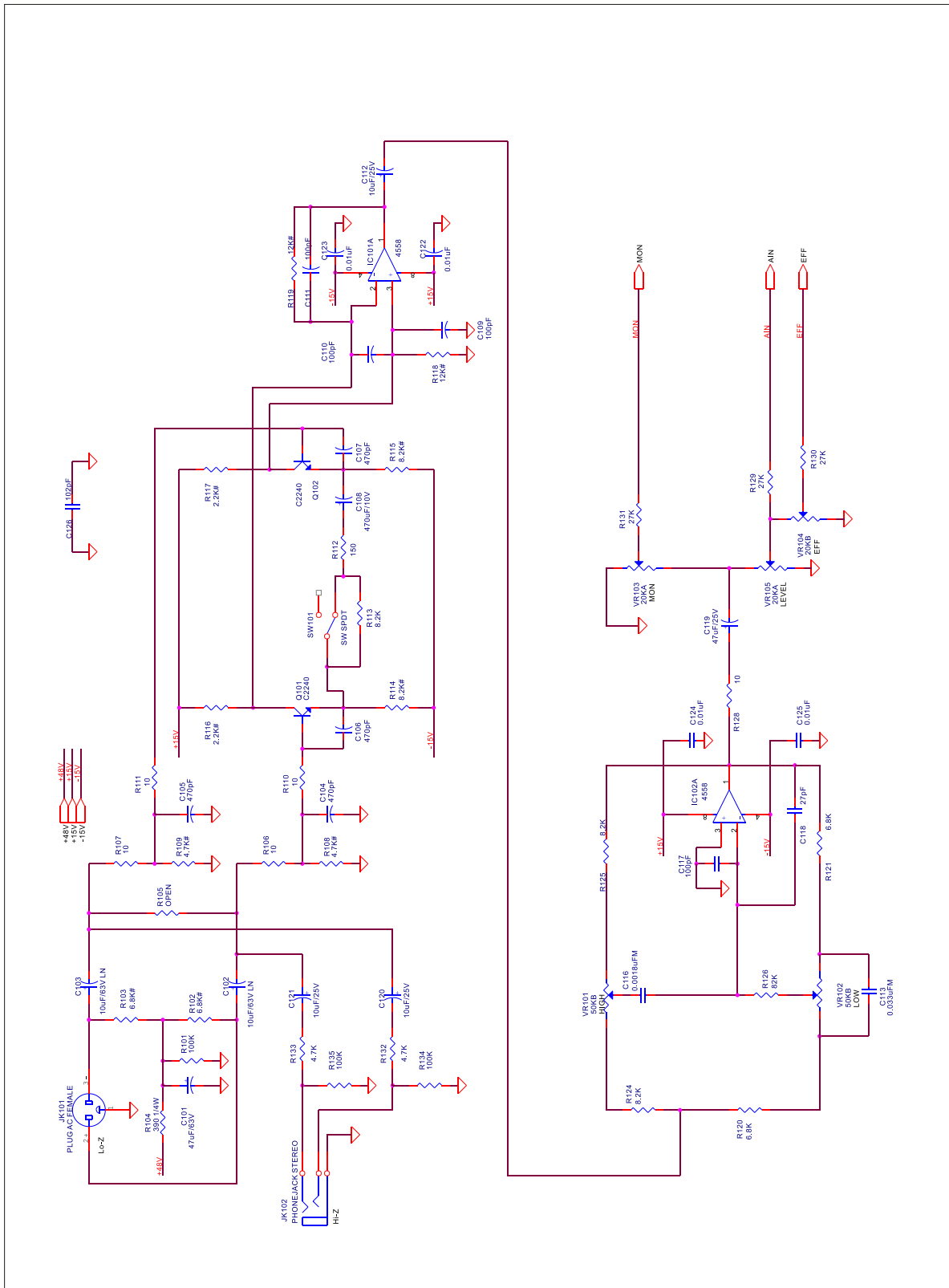
POWER SWITCH PCB



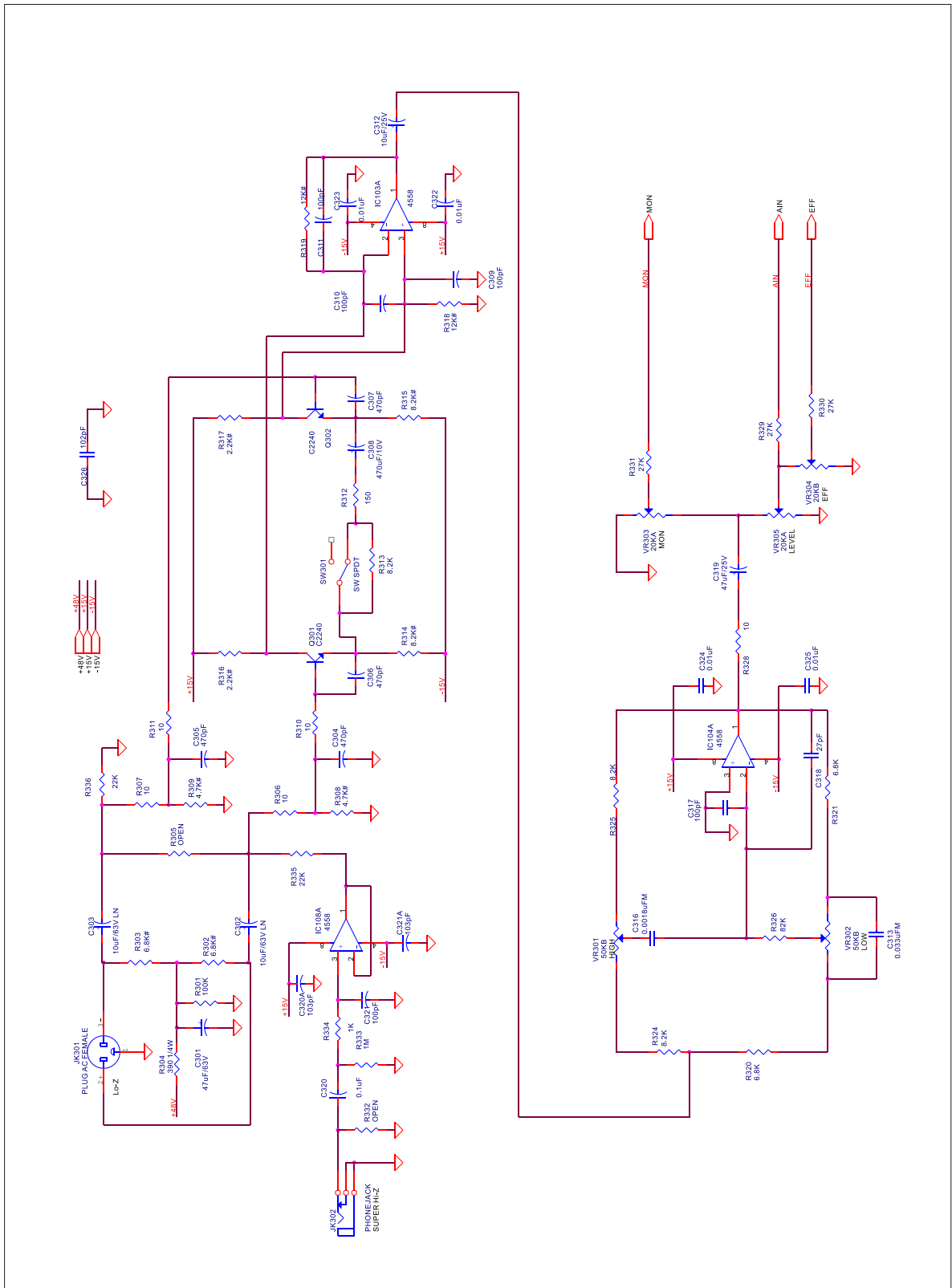
SPEAKER OUT PCB



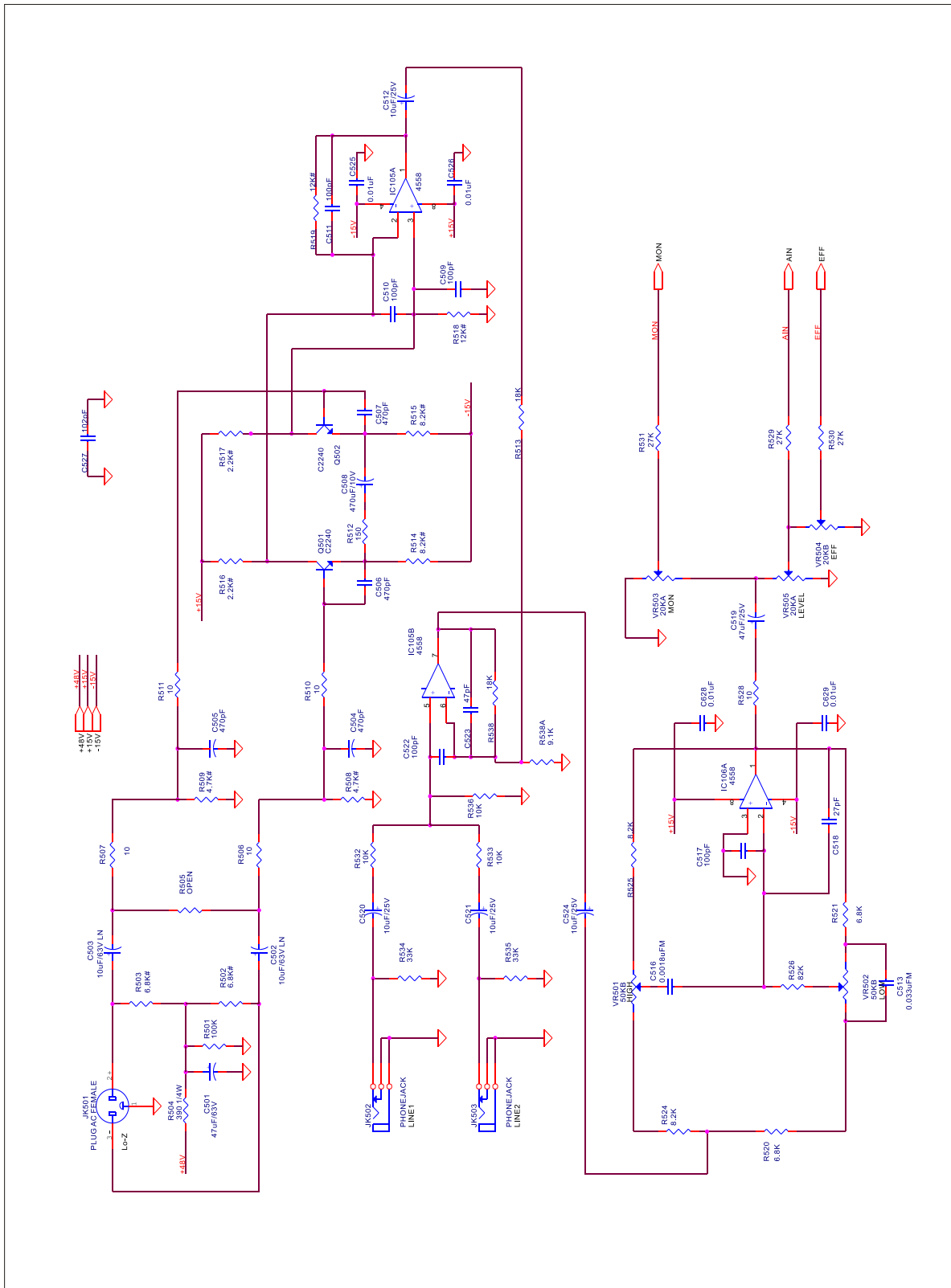
CHANNEL 1~2 IN/OUT SCHEMATIC



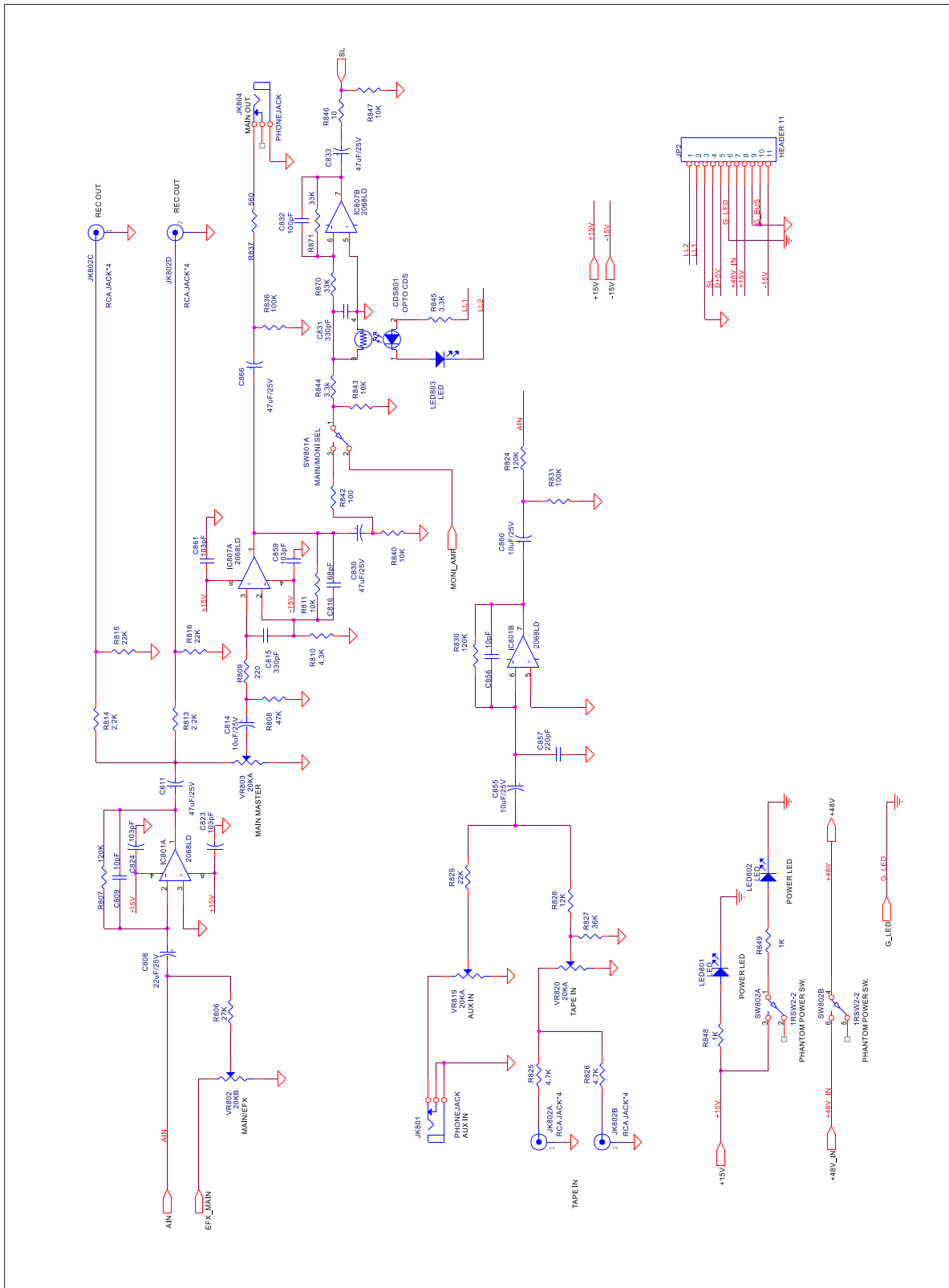
CHANNEL 3~4 IN/OUT SCHEMATIC



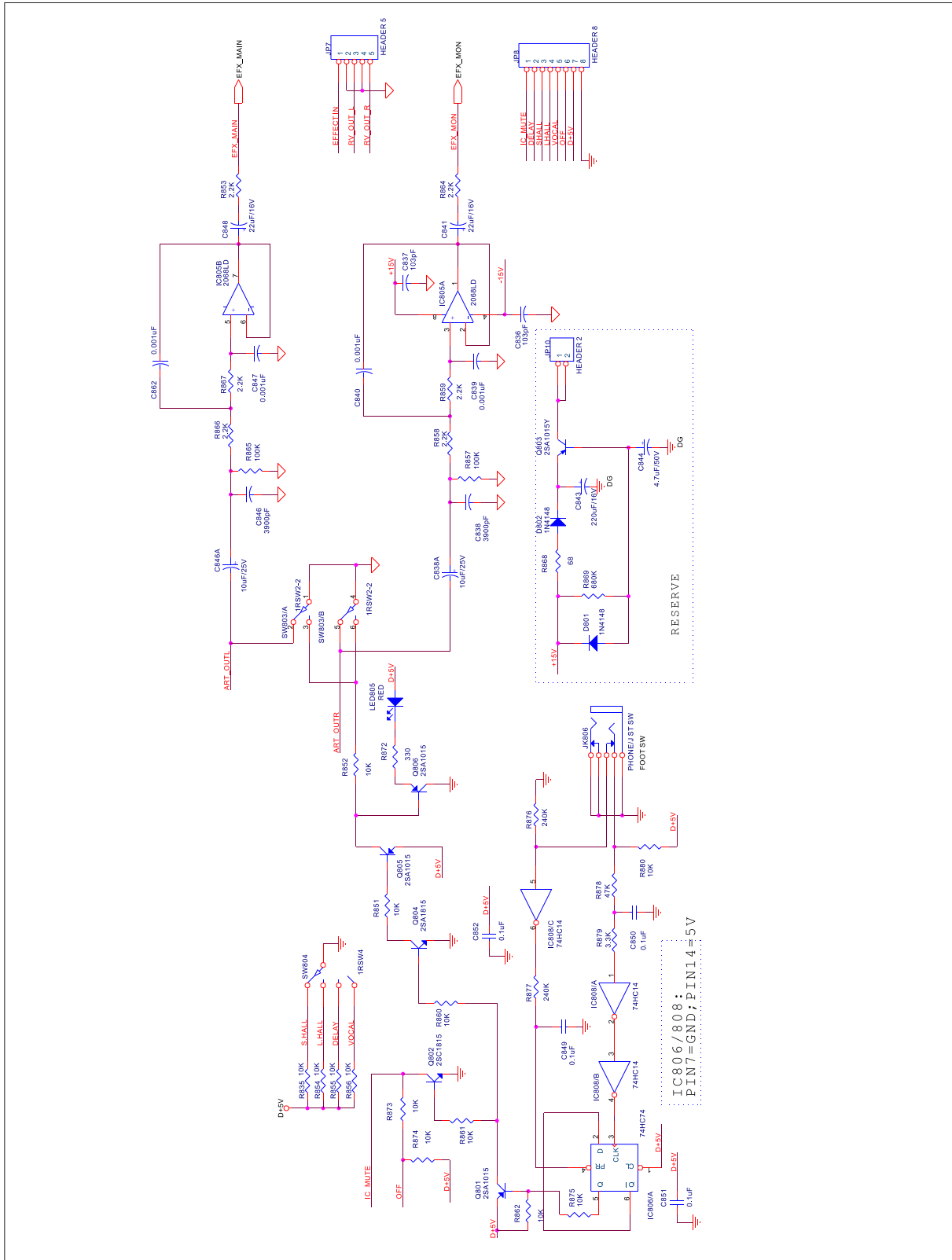
CHANNEL 5~6 IN/OUT SCHEMATIC



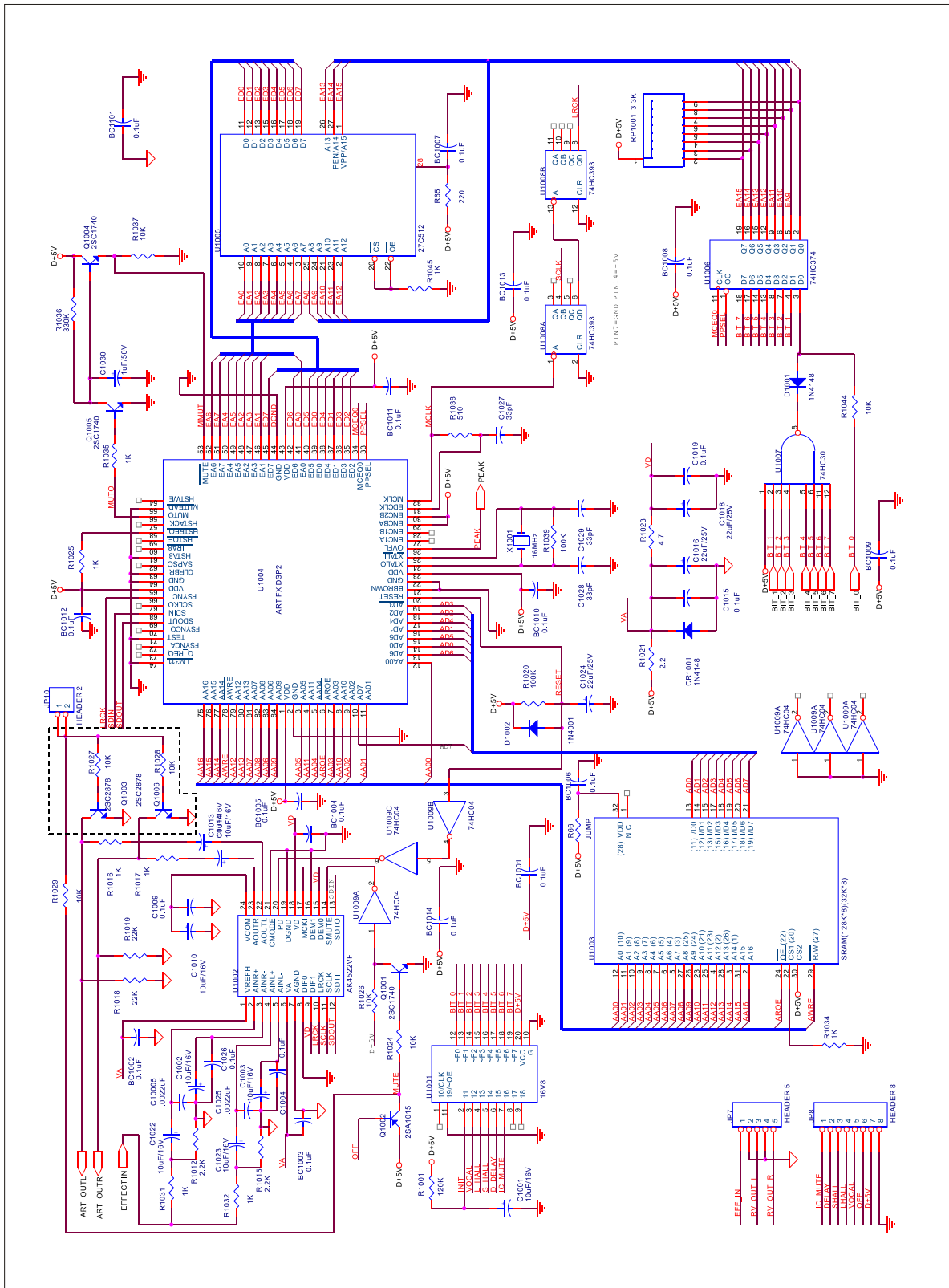
TAPE IN, REC OUT & MAIN OUT SCHEMATICS



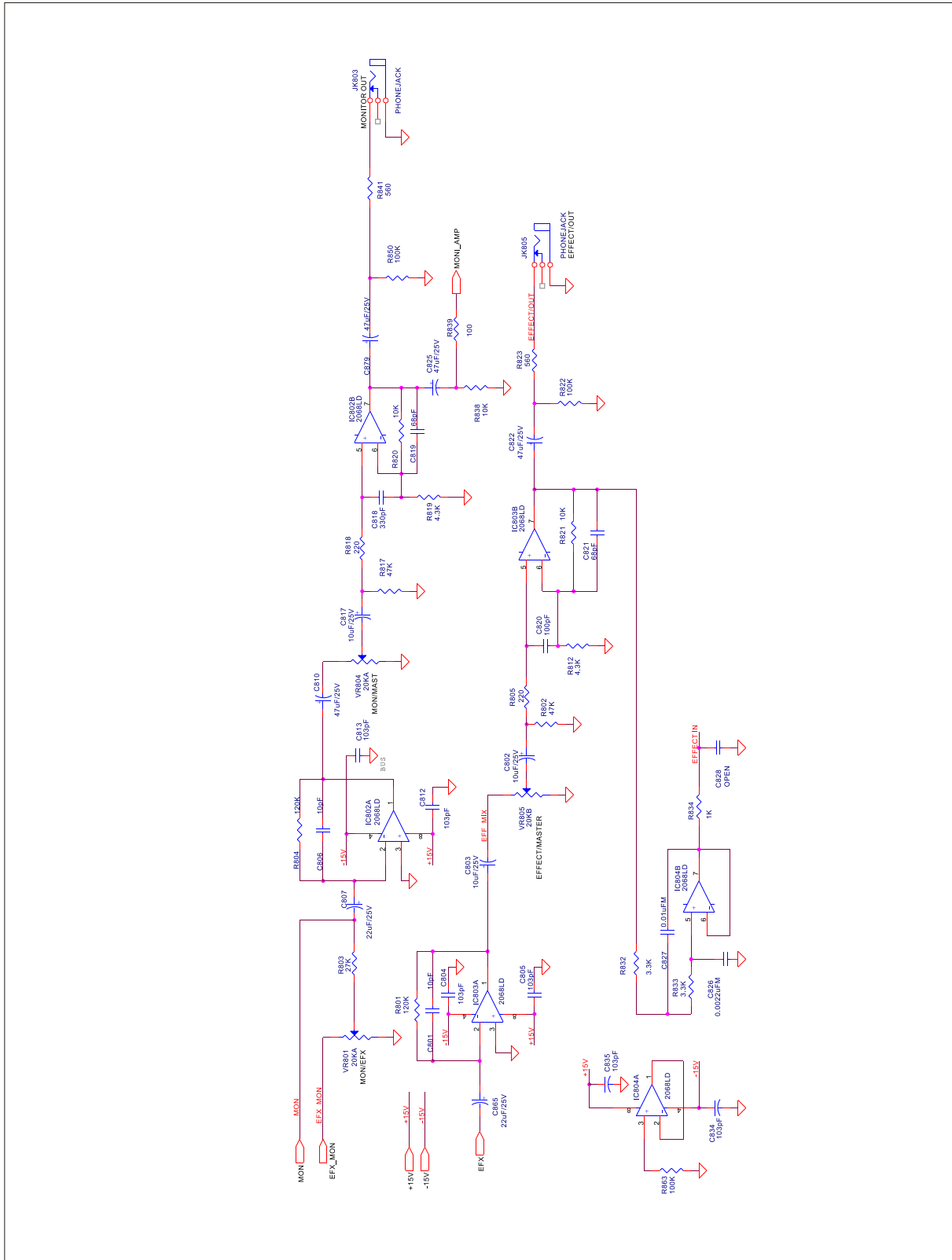
EFFECT PROCESSOR - CONTROL SCHEMATIC



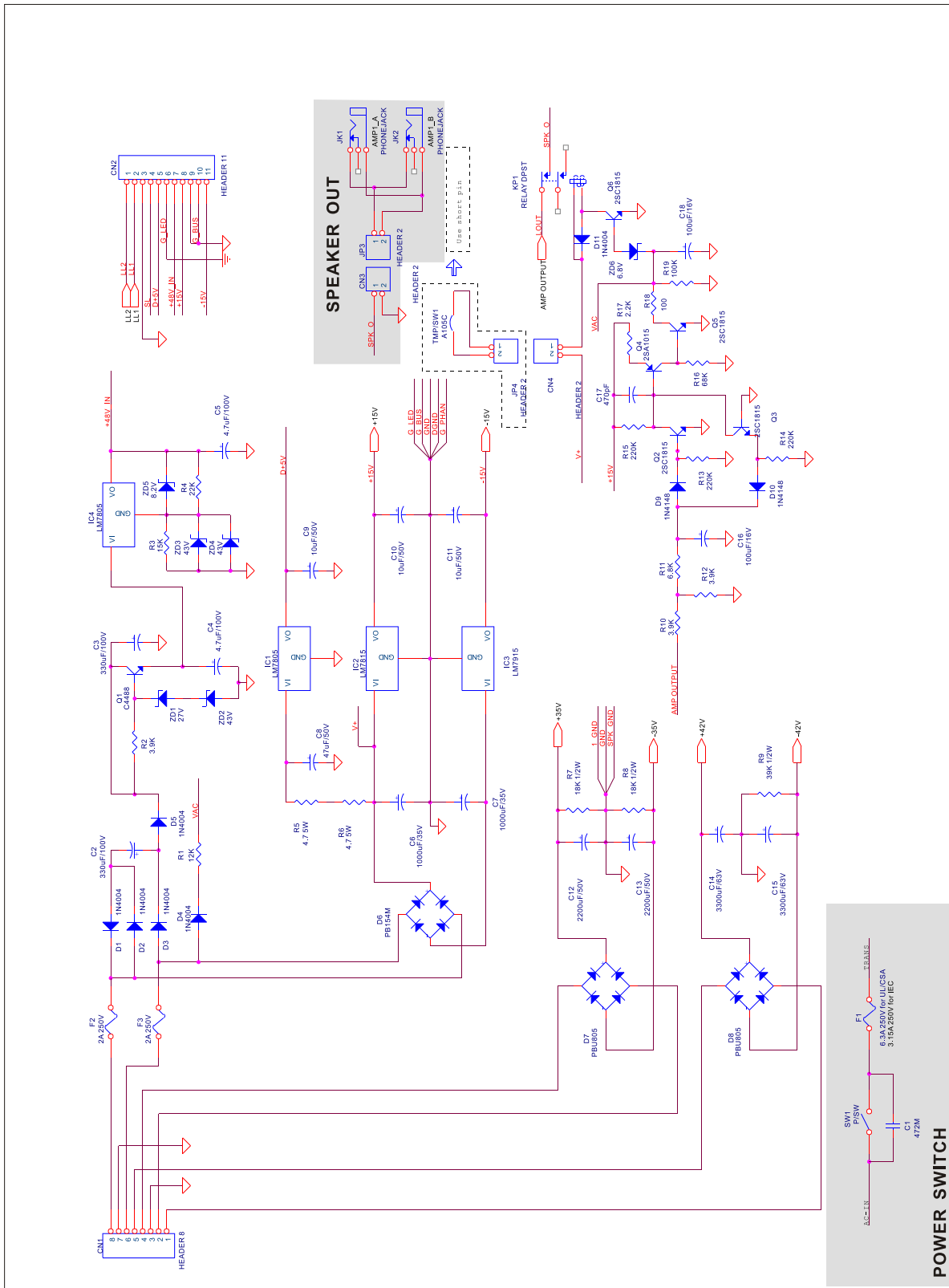
EFFECT PROCESSOR - DSP SCHEMATIC



MONITOR & EFFECT OUT SCHEMATICS

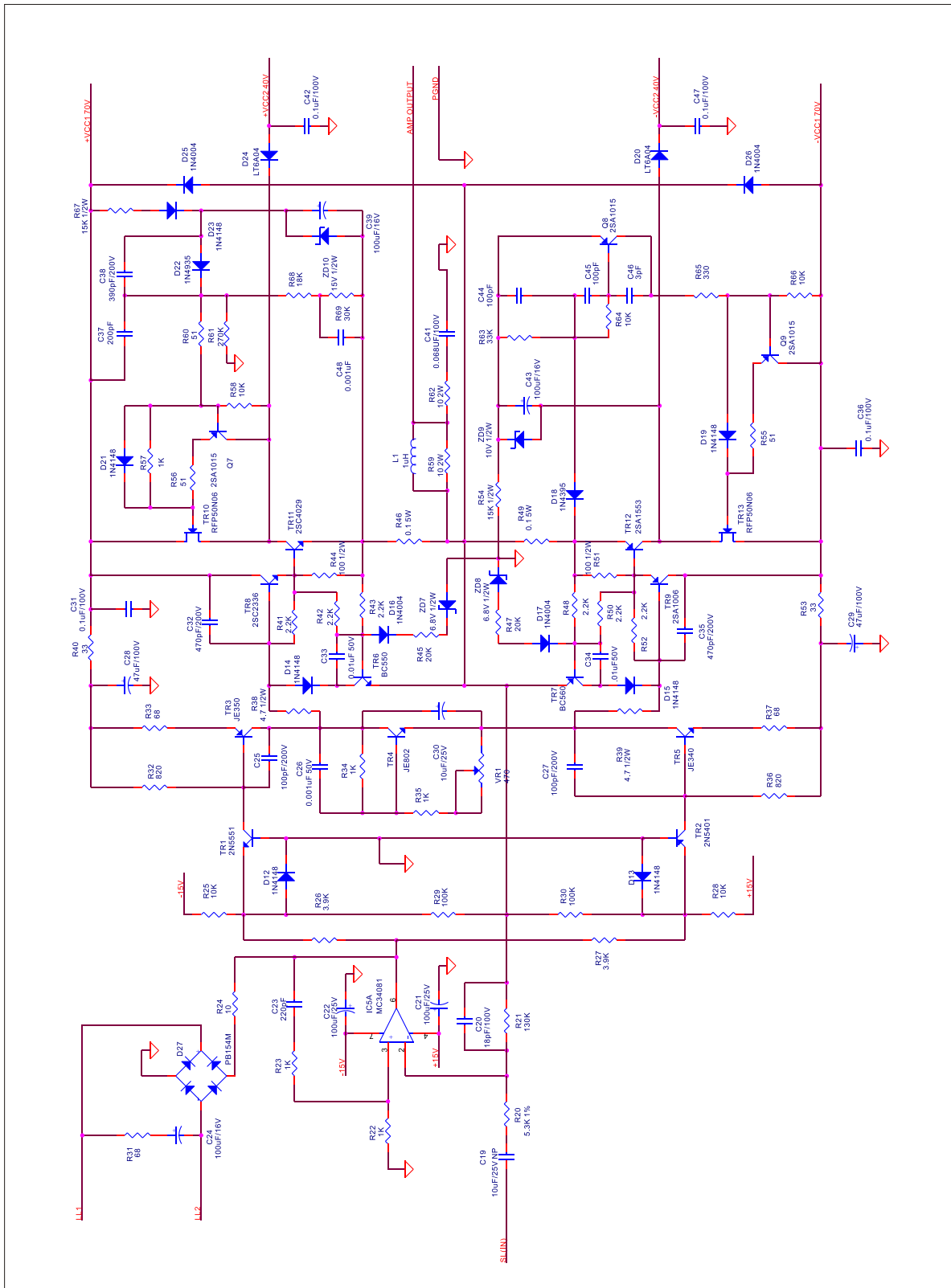


POWER SUPPLY & POWER SWITCH & SPEAKER OUT SCHEMATICS





POWER AMPLIFIER SCHEMATIC



**MAIN BOARD PCB-PART LIST**

<b>Ref.</b>	<b>Phonic</b>	<b>Specifications</b>
	375-00230-184-6	S.S WIRE UL1533#28 300MM GRY
	290-60615-100-0	POD615X CHANNEL & MASTER PCB
	382-00012-020-0	TINNER WIRE 12MM*D0.8
	382-20007-510-0	TINNER WIRE 7.5MM D0.6
	382-20010-010-0	TINNER WIRE 10MM D0.6
ALL LED*3	615-20092-620-0	LED HOUSING LED3-13
C.857	042-22124-050-0	C/C2 220PF J 50V 5 T
C101,201,301,401,501,601	033-47668-0A0-0	LN E/C 47MF Z 63V 8*11 T
C102.103.202.203.302.303. 402.403.502.503.602.603	033-10664-0A0-0	LN E/C 10MF J 63V T 6*11
C104.105.106.107.204.205. 206.207.304.305306.307.4 04.405.406.407..504.505.5 06.507	042-47124-050-0	C/C2 470PF J 50V 5 T
C108,208,308,408,508,608, C109.110.111.117.209.210. 211.217.309.310.311.317.4 09.410.411.417.509.510.51 1.517	030-47718-0A0-0 042-10124-050-0	E/C 470MF Z 10V 8*11 T C/C2 100PF J 50V T
C112.120.121.212.220.221. 312.412.512.520.521.524.6 12.620.621.624.802.803.81 4.817	030-10638-0A0-0	E/C 10MF Z 25V 5*11 T
C113.213.313.413.513.613	046-33305-060-0	M/C 0.033UF K 50V T
C116.216.316.416.516.616	046-18204-060-0	M/C 0.0018MF J 50V 5 T
C118.218.318.418.518.618	042-27025-050-0	C/C 27PF K 50V T
C119.219.319.419.519.619. 810.811.822.825.830.833.8 66.879	030-47638-0A0-0	E/C 47MF Z 25V 6.3*11 T
C122-125.322-325.525.526 .625.626.628.629.804.805. 812.813.823.824.859.861.8 63.864	042-10325-050-0	C/C2 0.01MF K 50V T

## MAIN BOARD PCB-PART LIST

Ref.	Phonic	Specifications
C126.226.326.426.527.627. 839.840.847.862	042-10225-050-0	C/C2 0.001MF K 50V 5 T
C320.420.849-852	042-10426-050-0	C/C2 0.1MF M 50V 5 T
C320A.321A.834.835.836.8 37	042-10325-050-1	
C321.421.522.609.610.617. 622.820.832.611	042-10124-050-1	
C523.623	042-47024-050-0	C/C2 47PF J 50V 5 T
C604.605.606.607	042-47124-050-1	
C801.806.809.856	042-10025-050-0	C/C2 10PF K 50V 5 T
C807.808.841.848.865	030-22638-0A0-0	E/C 22MF Z 25V 5*11 T
C815.818.831	042-33125-050-0	C/C2 330PF K 50V T
C816.819.821	042-68024-050-0	C/C2 68PF J 50V 5 T
C826	046-22204-060-0	M/C 0.0022MF J 50V 5 T
C827	046-10304-060-0	M/C 0.01MF J 50V 5 T
C838A.846A.841.855.860	030-10638-0A0-1	
C846.838	042-39225-050-0	C/C2 0.0039MF Z 50V 5T
CDS801	010-00001-010-0	CDS P873-G35-552 HAMAMATSU
IC101-107.108	160-00017-900-0	IC NJM4558LD JRC
IC801-805.807	160-00007-510-0	IC NJM2068L JRC
IC806	171-00000-310-0	CMOS IC HD74HC74P HITACHI
IC808	171-00003-500-0	CMOS IC 74HC14 HITACHI
JK101.201.301.401.501.60 1	211-03300-160-6	XLR/J SKCA229-1K3F2
JK102.202	211-01602-390-0	6D3/J JY-6351-02-030 SCJ-0658
JK302.402.502.503.602.60 3.801.803.804.805	211-01601-240-0	6D3/J JY-6351-02-130 SCJ-0658
JK802	211-00040-020-0	4P RCA/J RL-1414 4DB
JK806	211-01602-380-0	6D3/J (SCJ-0658-Y)
JP2	212-10110-150-0	11P WAFER/P 600mm
JP7	211-09062-010-6	B.E/PIN 6P
JP8	211-09082-010-0	B.E/PIN 8P P=2.54 L=30MM
LED801	100-00070-030-0	LED 204UBD D3 BLUE

**MAIN BOARD PCB-PART LIST**

<b>Ref.</b>	<b>Phonic</b>	<b>Specifications</b>
LED802.803.805	100-00010-030-0	LED BL-B5141 RED
Q101,102,201,202,301,302, 401,402,501,502,601,602	120-00001-010-0	TRAN 2SC2240-BL TOSHIBA
Q801.805.806	121-00000-200-0	TRAN. 2SA1015 GR TOSHIBA
Q802.804	120-00000-800-0	TRAN. 2SC1815 GR TOSHIBA
R101.134.135.201.234.235. 301.401.501.601.822.831.8 36.850. 857.863.865	000-10406-400-0	CF RES. 100K J 1/8W T
R102.103.202.203.302.303. 402.403.502.503.602.603	006-68010-440-0	MF RES 6K8 F 1/8W T
R104.204.304.404.504.604	000-39126-400-0	CF RES. 390 J 0.25W T
R106.107.110.111.128.206. 207.210.211.228.306.307.3 10.311.328.406.407. 410.411.428	000-10006-400-0	CF RES. 10 J 1/8W T
R108.109.208.209.308.309. 408.409.508.509.608.609.1 32.133.232.233	006-47010-440-0	MF RES 4K7 F 1/8W T
R112.212.312.412.512.612	000-15106-400-0	CF RES.150J 1/8W T
R113.124.125.213.224.225. 313.324.325.413.424.425.5 24.525.624.625	000-82206-400-0	CF RES. 8K2 J 1/8W T
R114.115.214.215.314.315. 414.415.514.515.614.615	006-82010-440-0	MF RES 8K2 F 1/8W T
R116.117.216.217.316.317. 416.417.516.517.616.617	006-22010-440-0	MF RES 2K2 F 1/8W T
R118.119.218.219.318.319. 418.419.518.519.618.619	006-12020-440-0	MF RES 12K F 1/8W T
R120.121.220.221.320.321. 420.421.520.521.620.621	000-68206-400-0	CF RES. 6K8 J 1/8W T
R126.226.326.426.526.626	000-82306-400-0	CF RES. 82K J 1/8W T
R129.130.131.229.230.231. 329.330.331.429.430.431.5 29.530.531.629.630.631.80 3.806	000-27306-400-0	CF RES. 27K J 1/8W T

**MAIN BOARD PCB-PART LIST**

<b>Ref.</b>	<b>Phonic</b>	<b>Specifications</b>
R333.433	000-10506-400-0	CF RES. 1M J 1/8W T
R334.434.834.848.849	000-10206-400-0	CF RES. 1K J 1/8W T
R335.336.435.436.815.816. 829	000-22306-400-0	CF RES. 22K J 1/8W T
R506.507.510.511.528.606. 607.610.611.628.846	000-10006-400-1	
R513.538.613.638	000-18306-400-0	CF RES. 18K J 1/8W T
R532.533.536.632.633.636. 811.820.821.838.840.843.8 47.855.835.851.852.854.85 6.860	000-10306-400-0	CF RES. 10K J 1/8W T
R534.535.634.635.870.871	000-33306-400-0	CF RES. 33K J 1/8W T
R538A.638A	000-91206-400-0	CF RES. 9K1 J 1/8W T
R801.804.807.824.830	000-12406-400-0	CF RES. 120K J 1/8W T
R802.808.817.878	000-47306-400-0	CF RES. 47K J 1/8W T
R805.809.818	000-22106-400-0	CF RES. 220 J 1/8W T
R810.812.819	000-43206-400-0	CF RES. 4K3 J 1/8W T
R813.814.853.866.867.858. 859.864	000-22206-400-0	CF RES. 2K2 J 1/8W T
R823.837.841	000-56106-400-0	CF RES. 560 J 1/8W T
R825.826	000-47206-400-0	CF RES 4.7K J 1/8W T
R827	000-36306-400-0	CF RES. 36K J 1/8W T
R828	000-12306-400-0	CF RES. 12K J 1/8W T
R832.833.844.845.879	000-33206-400-0	CF RES. 3K3 J 1/8W T
R839.842	000-10106-400-0	CF RES. 100 J 1/8W T
R861.862.873.874.875.880	000-10306-400-1	
R872	000-33106-400-0	CF RES. 330 J 1/8W T
R876.877	000-24406-400-0	CF RES 240K J 1/8W T
SW101.201.301.401.803	210-02201-440-0	PSH/SW 2P2T SFPC12MC03-PF
SW801.802	210-01202-120-0	SLD/SW 2P2T
SW801.802	610-00300-518-0	FIBER WAS. D3*D7*0.5 RED
SW804	210-00204-040-0	ROT/SW. SR1712-0204-225F2A-N9-N
T-T	375-00120-137-0	S.S.WIRE UL1533 #28 200MM GREY

**MAIN BOARD PCB-PART LIST**

<b>Ref.</b>	<b>Phonic</b>	<b>Specifications</b>
VR101.102.201.202.301.30 2.401.402.501.502.601.602	022-50350-011-0	S.ROT/VR 50KB(C.C)L=30MM
VR103.105.203.205.303.30 5.403.405.503.505.603.605 .803.804.819.820	022-20350-001-0	S.ROT/VR 20KA L=30MM F=12MM
VR104.204.304.404.504.60 4.801.802.805	022-20350-010-0	S.ROT/VR 20KB 30MM P

**POWER AMPLIFIER & SPEAKER OUT & POWER SWITCH PCB-PART LIST**

<b>Ref.</b>	<b>Phonic</b>	<b>Specifications</b>
	212-10023-270-0	2P WAFER/P 250mm UL1015#18 PH=3.96MM
	382-20002-510-0	TINNER WIRE 2.5MM D0.6
	382-20010-010-0	TINNER WIRE 10MM D0.6
	382-20012-510-0	TINNER WIRE 12.5MM D0.6
	526-20039-010-0	HEAT SINK POWERPOD615
	290-01310-200-0	PCB POWERPOD615-B+C+D
C1	058-68325-100-0	MEX-683K 0.068MF/250V 18*13.5 P=15
C12,13	030-22858-002-0	E/C 2200MF/50V 31*18
C14.15	030-33866-030-0	E/C 3300UF M 63V 25*30 P
C16.18.24.39.43	030-10728-0A0-0	E/C 100MF Z 16V 6*11 T
C17	042-47124-050-0	C/C2 470PF J 50V 5 T
C19	032-10636-0A0-0	NP E/C 10MF M 25V 6.3*11 T
C2,3	030-33788-000-0	R/C 330MF Z 100V 16*30 P
C20	042-18044-050-0	C/C2 18PF J 100V 5 T
C21.22	030-10736-0A0-0	E/C 100MF M 25V 8*11 T
C23	042-22124-050-0	C/C2 220PF J 50V 5 T
C25.27	042-101A6-050-0	C/C2 100PF M 250V 5 T
C26	046-10204-060-0	M/C 0.001MF J 50V 5 T
C28.29	030-47686-0A0-0	E/C 47MF M 100V 10*17 T
C30	030-10638-0A0-0	E/C 10MF Z 25V 5*11 T
C31.36.42.47	046-10415-060-0	M/C 0.1MF K 100V T
C32.35	042-471A5-050-0	C/C2 470P K 250V 5T
C33.34	046-10304-060-0	M/C 0.01MF J 50V 5 T
C37	042-20124-050-0	C/C2 200PF J 50V 5 T
C38	042-391A4-050-0	C/C2 390PF J 250V 5 T
C4.5	030-47589-0A0-0	E/C 4.7MF B 100V 5*11 T
C41	046-68314-060-0	M/C 0.068MF J 100V T
C44.45	042-10124-050-0	C/C2 100PF J 50V T
C46	042-03020-000-0	C/C2 3PF C 50V 5
C48	042-102A5-050-0	C/C2 0.001UF K 250V 5T
C6,7	030-10846-000-0	E/C 1000MF M 35V 10*21 T
C8	030-47658-0A0-0	E/C 47MF Z 50V 8*11 T

**POWER AMPLIFIER & SPEAKER OUT & POWER SWITCH PCB-PART LIST**

<b>Ref.</b>	<b>Phonic</b>	<b>Specifications</b>
C9.10.11	030-10656-0A0-0	E/C 10MF M 50V 5*11 T
CN1	211-10084-020-0	8P WAFER/S 396108 180 P=3.96MM
CN2	211-10111-080-0	11P WAFER/S 2532-11 180DEGREE
D1.2.3.4.5.11.16.17.25.26	090-00007-020-0	DIODE IN4004 SILTEK T
D18.22	090-02004-000-0	DIODE 1N4935 T
D20.24	090-00017-000-0	DIODE LT6A04
D6.27	090-10000-000-0	B/DIODE PB154
D7.8	090-10009-000-0	B/DIODE PBU805
D9.10.12.13.14.15.19.21.23	090-02000-020-0	DIODE 1N4148 T
F1*2,F2*2,F3*2	281-00000-020-0	FUSE CLIP FH-1206
FIXED ANDHEAT SINK*5	610-00301-516-0	FIBER WAS. D3.0*D8.0*1.5 RED
FIXEDTRANSISTOR*7,FIX EDHEAT SINK & IC*4	610-60300-700-0	PAN SPR WAS. D3.0*6.0*0.7ZN
HEAT SINK & TRANSISTOR*5. IC*4	590-43010-100-0	M/E PAN SCR. M3.0*10 NI
HEAT SINK*5	615-10022-630-0	BOSS 5+5
IC1.4	160-00004-114-0	IC UPC7805H NEC (KIA)
IC2	160-00005-909-0	IC 7815
IC3	160-00002-909-0	IC 7915
IC5	160-00021-900-0	IC NJM5534D JRC
JK1,JK2	211-01601-300-0	6D3/J M203A-2
KP1	076-02422-010-0	RELAY OSA-SH-224DM3M
L1	075-10082-100-0	INDUCTANCE 1UH K M
PCBANDHEAT SINK*5.	590-43006-200-0	M/E PAN SCR. M3.0*6 BLK
Q1	120-00009-300-0	TRAN 2SC4488
Q2.3.5.6	120-00000-800-0	TRAN. 2SC1815 GR TOSHIBA
Q4.7.8.9	121-00000-200-0	TRAN. 2SA1015 GR TOSHIBA
R1.2.10.12.26.27	000-39226-400-0	CF RES. 3K9 J 0.25W T
R11	000-68226-400-0	CF RES. 6K8 J 0.25W T
R13.14.15	000-22426-400-0	CF RES. 220K J 0.25W T
R16	000-68326-400-0	CF RES. 68K J 0.25W T
R17.41.42.43.48.50.52	000-22226-400-0	CF RES. 2K2 J 0.25W T



## POWER AMPLIFIER &amp; SPEAKER OUT &amp; POWER SWITCH PCB-PART LIST

Ref.	Phonic	Specifications
R18	000-10126-400-0	CF RES. 100 J 0.25W T
R19	000-12326-400-0	CF RES. 12K J 0.25W T
R20	006-53012-440-0	MF RES. 5.3K F 0.25W T
R21	000-13426-400-0	CF RES. 130K J 0.25W T
R22.23.34.35.57	000-10226-400-0	CF RES. 1K J 0.25W T
R24	000-10026-400-0	CF RES. 10 J 0.25W T
R25.28.58.64.66	000-10326-400-0	CF RES. 10K J 0.25W T
R29.30	000-10426-400-0	CF RES. 100K J 0.25W T
R3	000-15326-400-0	CF RES. 15K J 0.25W T
R32.36	000-82126-400-0	CF RES. 820 J 0.25W T
R33.37.31	000-68026-400-0	CF RES. 68 J 0.25W T
R38.39	000-47736-400-0	CF RES.4.7 1/2WT
R4	000-22326-400-0	CF RES. 22K J 0.25W T
R40.53	000-33026-400-0	CF RES. 33 J 0.25W T
R44.51	000-10136-400-0	CF RES. 100 J 0.5W T
R45.47	000-20326-400-0	CF RES. 20K J 0.25W T
R46.49	003-10093-600-0	CE MENT 0.1 5W J
R5,6	003-47083-602-0	CEMENT RES 4.7 J 5W P
R54.67	000-15336-400-0	CF RES. 15K J 0.5W T
R55.56.60	000-51026-400-0	CF RES. 51 J 0.25W T
R61	000-27426-400-0	CF RES. 270K J 0.25W T
R62	003-10071-600-0	CEMENT RES. 10 J 2W AL
R63	000-33326-400-0	CF RES. 33K J 0.25W T
R65	000-33126-400-0	CF RES. 330 J 0.25W T
R68	000-18326-400-0	CF RES. 18K J 0.25W T
R69	000-30326-400-0	CF RES. 30K J 0.25W T
R7.8	000-18336-400-0	CF RES. 18K J 1/2W
R9	000-39336-400-0	CF RES 39K J 0.5W T
SW1	210-02101-030-0	PSH/SW PA-03S-A1
TR1	120-00001-400-0	TRAN. 2N5551 MOTOROLA
TR10.13	122-00002-400-0	MOSFET RFP 50N06
TR11	120-00008-600-0	TRAN 2SC5200-O TOSHIBA
TR11*1.TR12*1	590-43012-100-0	M/E PAN SCR. M3.0*12 NI
TR12	121-00006-000-0	TRAN 2SA1943-O TOSHIBA
TR2	121-00000-300-0	TRAN. 2N5401 MOTOROLA

**POWER AMPLIFIER & SPEAKER OUT & POWER SWITCH PCB-PART LIST**

<b>Ref.</b>	<b>Phonic</b>	<b>Specifications</b>
TR3	121-00006-100-0	TRAN MJE350 MOTOROLA
TR4	120-00008-800-0	TRAN MJE802 MOTOROLA
TR5	120-00005-000-0	TRAN MJE340 MOTOROLA
TR6	120-00009-700-0	TRAN. BC546B PHILIPS(代 BC550)
TR7	121-00007-500-0	TRAN. BC556B PHILIPS (代 BC560)
TR8	120-00009-500-0	TRAN 2SC4793-M TOSHIBA
TR9	121-00007-200-0	TRAN 2SA1837-M TOSHIBA
TRAN & HEAT SINK*7	313-00000-000-0	TRANSISTOR WASHER TO-220
TRAN*6	314-00000-050-0	BUSHES 602S(V.0) 180 DEGREE
VR1	020-47138-000-6	T/VR 470J T-085C-B470 0.5W
ZD1	090-01273-010-0	ZEN/DIODE 27V K 0.5W
ZD10	090-01153-010-0	Z/DIODE 15V K 0.5W UNIZON
ZD2.3.4	090-01433-010-0	ZEN/DIODE 43V K 0.5W
ZD5	090-01822-000-0	ZEN DIODE 8.2V J 0.5W
ZD6.7.8	090-01682-000-0	ZEN/DIODE 6.8V J0.5W UNIZO
ZD9	090-01103-010-0	Z/DIODE 10V K 0.5W FAIRC

## EFFECT PCB-PART LIST

Ref.	Phonic	Specifications
	290-61202-302-0	MM1202XP/POD615X DIGITAL PCB
	W01-31015-110-0	POD615 (VINYL)
	000-00112-003-0	TAPE 60MM*33Y
	524-70001-020-7	HANDLE 210mm
	525-70000-010-7	FEET D25*D20*16T BLK POD408
	552-70000-200-7	HANDLEFIXED
	560-70010-000-7	CARTON OUTSIZE:570L*295W*580H B=B
	600-70000-040-7	NAIL M4 WHT
	600-70001-000-7	NAIL M5 WHT
	637-70000-000-7	BOX CONTER
	700-01800-000-7	PLANKING 4*8*18MM
	710-70000-000-7	GLUE PT-3670
	710-70001-010-7	GLUE
	711-73000-000-7	NAIL F30
430*1500	636-70007-101-7	VINYL BLK
BC1001-1014.C1009.1015. 1019.1101.1004.1026	042-10425-050-0	C/C2 0.1MF K 50V 5 T
C1002.1003.1010.1013.101 4.1022.1023.1024	030-10636-0A0-0	E/C 10MF M 25V 5*11 T
C1005.1025	042-22225-050-0	C/C2 0.0022MF K 50V 5 T
C1016.1018	030-22638-0A0-0	E/C 22MF Z 25V 5*11 T
C1027.1028.1029	042-33024-050-0	C/C2 33PF J 50V 5 T
C1030	030-10556-0A0-0	E/C 1MF M 50V 5*11 T
CONTER*16	592-23012-200-0	W/O BID SCR. M3.0*12 BLK
D1001.CR1001	090-02000-000-0	DIODE 1N4148 FAIRCHILD
D1002	090-00000-020-0	DIODE 1N4001 SILITEK T
FEET*4	593-44020-200-7	W/O PAN SCR. D4.0*20 BLK
HANDLE*2	590-25024-200-7	M/E BID SCR. M5*24 BLK
JP7	211-09062-000-6	B.E/S 6P
JP8	211-09081-020-0	8P B.E/S

## EFFECT PCB-PART LIST

Ref.	Phonic	Specifications
Q1001.1004.1005	120-00004-600-0	TRAN. 2SC1740 LN-R ROHM
Q1002	121-00000-200-0	TRAN. 2SA1015 GR TOSHIBA
R1001	000-12406-400-0	CF RES. 120K J 1/8W T
R1012.1015	000-22206-400-0	CF RES. 2K2 J 1/8W T
R1016.1017.1025.1031.103 2.1034.1035.1045	000-10206-400-0	CF RES. 1K J 1/8W T
R1018.1019	000-22306-400-0	CF RES. 22K J 1/8W T
R1020.1024.1026.1037.104 4	000-10306-400-0	CF RES. 10K J 1/8W T
R1021	000-22706-400-0	CF RES 2.2 J 1/8W T
R1023	000-47706-400-0	CF RES 4.7 J 1/8W T
R1036	000-33406-400-0	CF RES 330K J 1/8W T
R1038	000-51106-400-0	CF RES. 510 J 1/8W T
R1039	000-10406-400-0	CF RES. 100K J 1/8W T
R65	000-22106-400-0	CF RES. 220 J 1/8W T
RP1001	017-08090-010-0	NETWORK RES. A8-332 J 9P 3.3K
U1001	177-02000-311-0	GAL IC 16V8D-15LP LATTICE
U1001	211-11202-002-0	IC/S 20P 9.8*25MM
U1002	177-04022-000-0	IC AK4522A-VF VSOP AKM
U1003	177-01004-700-0	IC BS62LV1024SC-70 SOP BSI
U1004	177-04013-000-0	CHIP ART FX DSP2 84P JAPAN 100-1365-102
U1005	177-01003-510-0	IC M27C512-12 SINGAPORE WINBOND
U1005	211-11282-001-0	IC/S 28P 17*35MM
U1006	171-00002-900-0	CMOS IC PC74HC374P
U1007	171-00002-800-0	CMOS IC PC74HC30P
U1008	170-00007-000-0	TTL IC 74HC393 SMD
U1009	171-00000-220-0	CMOS IC HD74HC04N (SMT)
X1001	300-24572-000-0	CRYSTAL HC-49/U 24.576MHZ

**MISCELLANEOUS ITEMS**

<b>Ref.</b>	<b>Phonic</b>	<b>Specifications</b>
	510-20760-500-0	PANEL POD615X
	511-20540-500-0	BACK PANEL POD615X
	551-20043-400-0	RT BRKT POWERPOD7/615/1060/740/ PX700DLX
	551-20045-400-0	BRKT POWERPOD7
	551-60014-200-0	BRACKET POWERPOD615
	551-60056-000-0	FRONT LF BRKT
	551-60057-000-0	BACK LF BRKT
	560-20860-101-0	CARTON POD615 SIZE:582*392*370
	561-21090-500-0	G/B POD615X SIZE:545*370*335
	568-00003-000-0	PE BAG #10 240*340*0.05
	568-10064-000-0	PE BAG 850*650*0.05
	572-00000-050-0	DRYER 5g
	573-60343-000-0	LABEL LEVEL METER LABEL BLUE D=8mm
	574-6A144-010-0	OWN. MANU. POD740/615/1060/1062X/X2
	579-00000-068-0	MINI CATALOG PHONIC SERIES
ALL 6D3/J *13	610-20901-001-0	TOOTH WAS D9*12*1 NI
ALL P/SW*5	542-20300-121-0	P/KNOB 5.8*5.8*8 431C+WHT
AMP PCB*2/PCB-A*14, FIXED DIGITAL PCB*8	590-53008-100-0	M/E SET SCR. M3.0*8 NI
BACK PANEL	618-14180-662-0	SPEC FIXED PIN SR-2 WHT
BACK PANEL & BRACKET	610-60300-501-0	PAN SPR. WAS D3.0*D7*0.5 NI
BACK PANEL & BRACKET	590-53008-200-0	M/E SET SCR. M3.0*8 D=6 BLK
BACK PANEL & BRACKET	600-00302-210-0	HEX. NUT M3.0*2.2 NI
BOSS*4	615-20056-620-0	BOSS H-24
CABLE TIE*9	321-00000-070-0	CABLE TIE HW-100MM

## MISCELLANEOUS ITEMS

Ref.	Phonic	Specifications
FIXED PCB*14	610-00300-516-0	FIBER WAS. D3*D8*0.5 RED
FIXEDAB&BOSS *9	590-03010-200-0	M/E FLT SCR. M3.0*10 BLK
FIXEDLBRACKET&CASE* 6	590-54018-200-0	M/E SET SCR. M4.0*18 BLK
FIXEDLF BRKT*4FIXEDRT BRKT*4	590-54016-200-0	M/E SET SCR. M4.0*16 BLK
FIXEDLUG FOR GROUND*1,FIXED HEAT SINK AND BACK PANEL*1, BACK PANELAND FIXED*5,BACK PANELAND L/R BRACKET*4,	590-54010-200-0	M/E SET SCR. M4.0*10 BLK
FIXEDPANELANDXLR/J*1 2	591-03008-200-0	T/P FLT SCR. D3.0*8 BLK
FIXEDTRANSFORMER&C ASE*4	590-54030-200-0	M/E SET SCR. M4.0*30 BLK
FIXEDTRANSFORMER*4 FOR DSP MODE*1 MASTER*2 DRIVE*1	600-20402-000-0 540-60148-620-0	NUT M4.0*2.0 ZN L14*W10 R/KNOB12 430C(GEY)BODY+491C(RE D)CAP
FOR HIGH/LOW*6	540-60148-720-0	R/KNOB12 430C(GEY)BODY+647C(BL U)CAP
FOR MON/EFX*6 TAPE IN/AUX IN*1	540-60148-520-0	R/KNOB 12.0 430C(GREY)BODY+WHT CAP
FOR RCA JACK FOR TRANSFORMER	591-53008-100-0 610-00401-202-0	T/P SET SCR. D3.0*8 NI PLA. WAS. D4.0*D12.0*1.0 BLK
GND	610-60401-001-0	PAN SPR. WAS. D4*7.6*1.0 NI
HEAT SINK AND BRACKET*1,HEAT SINK AND RT BRKT*2	590-54010-200-1	
LABEL	573-10124-010-0	GND LABEL MAR2
LED801.802.805	631-20029-000-0	HEMELON 10*10

**MISCELLANEOUS ITEMS**

<b>Ref.</b>	<b>Phonic</b>	<b>Specifications</b>
LEVEL*6.EFX*2	540-60148-420-0	R/KNOB 12 WHT BODY+430C(GREY) CAP
LUG FOR GROUND *1	315-00000-000-0	LUG D4 FOR GROUND
LUG FOR GROUND*1	600-00403-510-0	HEX. NUT M4.0*3.5 NI
LUG FOR GROUND*1	610-30400-500-0	TOOTH WAS. D4.0*D8.5*0.5 ZN
PANEL&LR BRKT*6	590-54010-100-0	M/E SET SCR. M4*10 NI
PANEL&PCB*14	615-20088-620-0	SPACER SUPPORT H-16
PANEL*5	590-03008-100-0	M/E FLT SCR. M3.0*8 NI
PCB-A*3	552-20048-420-0	ADHESIVE FIXED FW-5D-3M
PCBANDBACK PANEL*2	615-20075-620-0	SPACE SUPPORT H-28
PCBANDBACK PANEL*2	590-43006-200-0	M/E PAN SCR. M3.0*6 BLK
P/SW*2		
POWER SW *2	615-20023-630-0	BOSS 15+5
POWER/SW *1	542-20150-120-0	P/KNOB 13.5*10.5*10.5H BLK
SLD/SW*2	631-10027-000-0	HEMELON 24*12
右下*1,右上*1,左上*1.左下*1	562-24190-000-0	PULP PANEL 1032*581MM
	<b>S01-31000-001-0</b>	<b>POD615X MATERIAL PHONIC</b>
	510-20760-500-F	PANEL POD615X
	511-20540-400-F	BACK PANEL POD615

**POWER REQUIREMENT CLASSIFICATION**

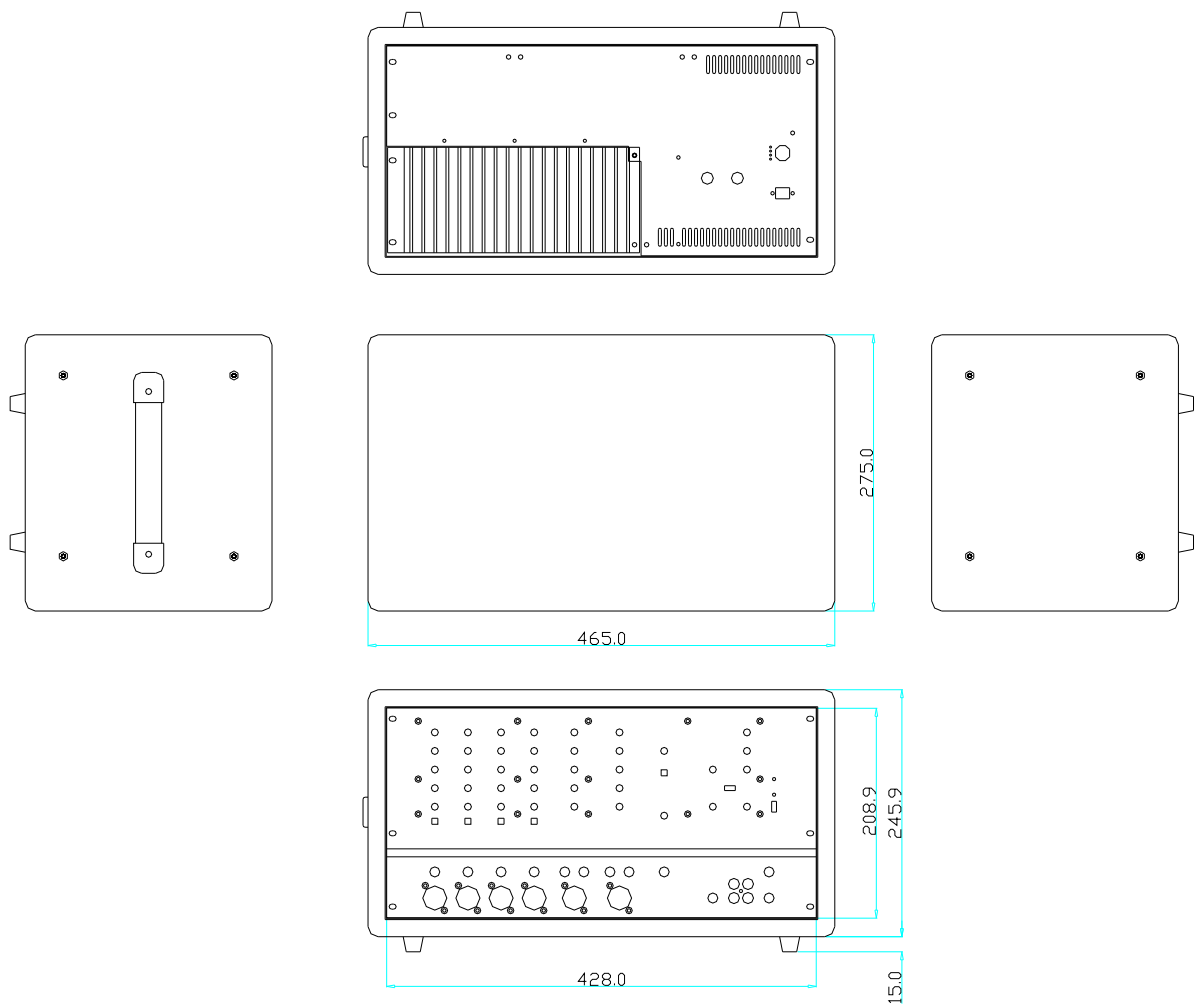
<b>Ref.</b>	<b>Phonic</b>	<b>Specifications</b>
<b><u>BS AC240V</u></b>		
	B01-31016-110-1	
	070-20358-800-0	X/MER 115/230V POD615
F2.3	280-20263-000-0	FUSE T2A 250V VDE S
F1	280-3E216-001-0	FUSE 3.15A/250V S BEL5ST3.15
X'MER WIRE*2	307-00000-000-0	CORD CONNECTOR HW-C4
	370-26B40-439-1	P/CORD 230V 13A 2m5 BS 3P
	527-11000-000-0	STR.REL BUSHING 6W3-4 R
	573-10032-010-0	POWER LABEL (ONLY USED IN BS)
	573-60240-000-0	BAR CODE LABEL PHONIC SERIES LABEL
<b><u>UL AC120V</u></b>		
	070-20358-800-0	X/MER 115/230V POD615
F2.3	280-2026B-001-0	FUSE 2A 250V UL/CSA/JIS S
F1	280-63267-000-0	FUSE TSD6.3A 250V VDE/UL/CSSES
X'MER WIRE*2	307-00000-000-0	CORD CONNECTOR HW-C4
	370-08010-733-0	P/CORD 125V10A 2.5M 1MM/3P UL/CSA
	527-11000-000-0	STR.REL BUSHING 6W3-4 R
	573-60240-000-0	BAR CODE LABEL PHONIC SERIES LABEL
<b><u>SAA AC240V</u></b>		
	F01-31000-001-0	POWERPOD615 B+C+D M/I
	F01-31000-002-0	POWERPOD615X A 片 M/I
	F01-31000-003-0	POD615X DIGITAL M/I
	W01-31015-110-0	POD615 (VINYL)
<b><u>IEC AC230V</u></b>		
	070-20358-800-0	X/MER 115/230V POD615
F2.3	280-20263-000-0	FUSE T2A 250V VDE S
F1	280-3E216-001-0	FUSE 3.15A/250V S BEL5ST3.15



**POWER REQUIREMENT CLASSIFICATION**

<b>Ref.</b>	<b>Phonic</b>	<b>Specifications</b>
X'MER WIRE *2	307-00000-000-0	CORD CONNECTOR HW-C4
	370-23060-939-0	P/CORD 10/16A250V 2.5M2P CE
	527-11000-000-0	STR.REL BUSHING 6W3-4 R
	573-60240-000-0	BAR CODE LABEL PHONIC SERIES LABEL
<b><u>JIS AC100V</u></b>		
F2.3	070-60008-801-0	X'MER 115/230V 100W*2
	280-2026B-001-0	FUSE 2A 250V UL/CSA/JIS S
	280-63267-000-0	FUSE TSD6.3A 250V VDE/UL/CSES
F1*2	281-00000-020-0	FUSE CLIP FH-1206
X'MER WIRE*2	307-00000-070-0	CORD CONNECTOR C5
	370-24610-602-0	P/CORD 100V 12A 2.5M 1MM/2P JIS
	527-11000-000-0	STR.REL BUSHING 6W3-4 R

DIMENSIONS



**PHONIC**  
WWW.PHONIC.COM