

POWERPOD 740 DELUXE

Integrated Mobile Sound System

SERVICE MANUAL



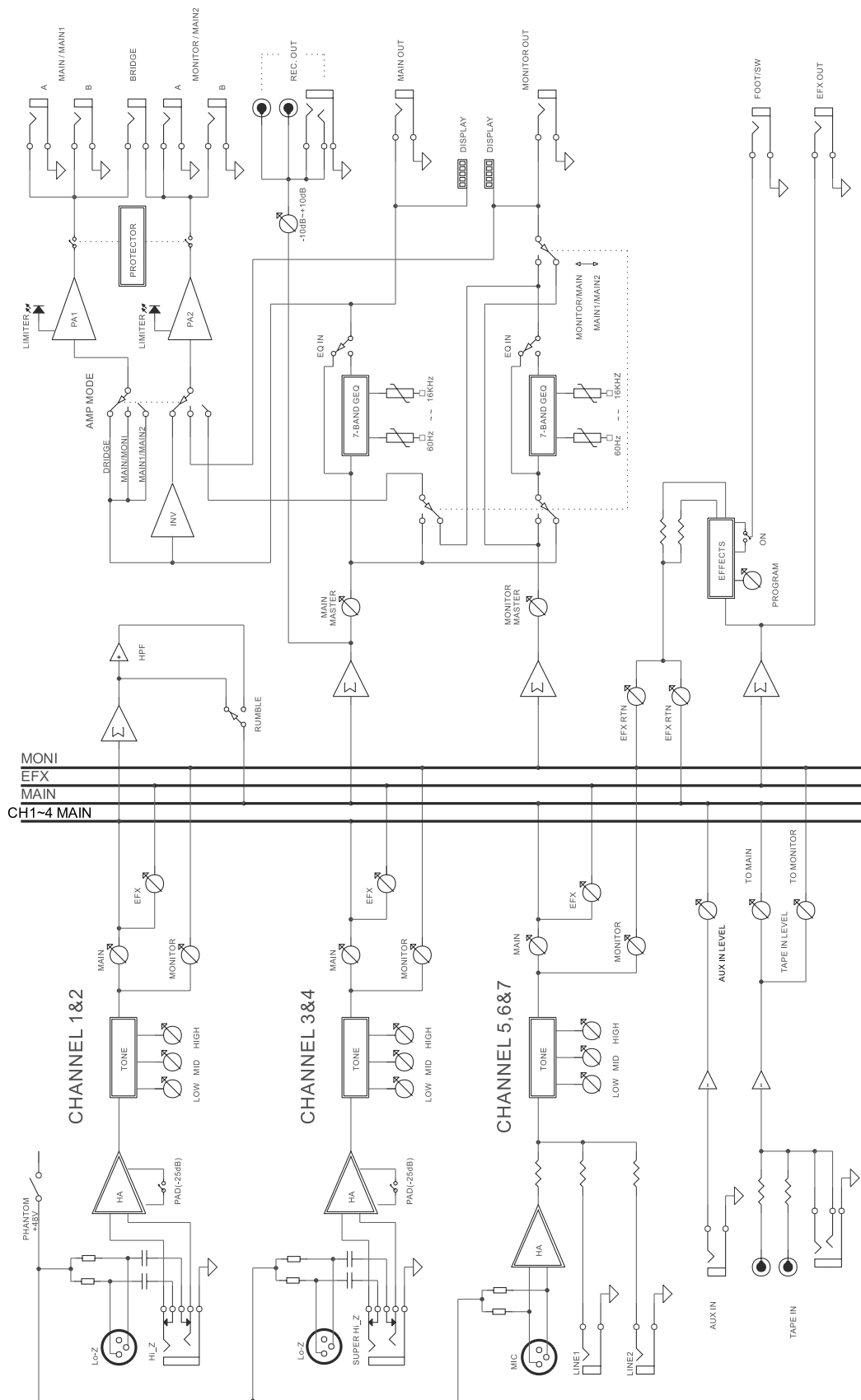
POWERPOD 740 DELUXE SERVICE MANUAL

CONTENTS

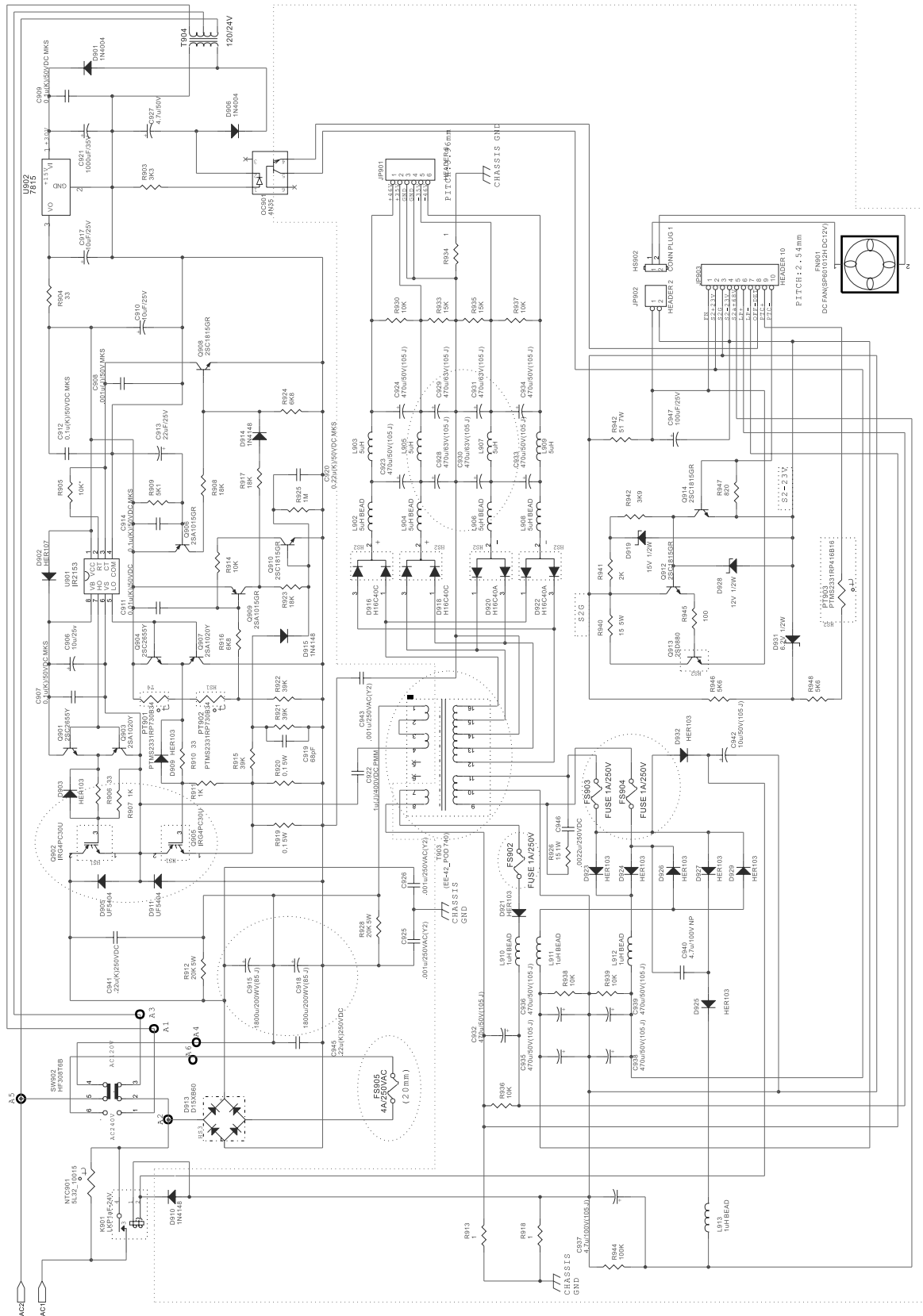
PAGE

| | |
|-----------------------------------------------|-----------|
| PANEL LAYOUT | 3 |
| BLOCK..... | 4 |
| SW POWER | 5 |
| POWER..... | 6 |
| MONITOR..... | 7 |
| MAIN | 8 |
| EFFECT..... | 9 |
| DSP | 11 |
| AUX TAP..... | 12 |
| AMP R..... | 13 |
| AMP L | 14 |
| AC | 15 |
| CH 1 | 16 |
| CH 2 | 17 |
| CH 3 | 18 |
| CH 4 | 19 |
| CH 5 | 20 |
| CH 6 | 21 |
| CH 7 | 22 |
| BOM | |
| DSP PCB-PART LIST | 23 |
| MISCELLANEOUS ITEMS | 24 |
| MASTER AND INPUT PCB-PART LIST..... | 26 |
| POWER REQUIREMENT CLASSIFICATION | 29 |
| AMP PCB-PART LIST | 32 |
| POWER REQUIREMENT CLASSIFICATION | 35 |
| AMP PCB-PART LIST | 36 |
| POWER PCB-PART LIST..... | 37 |

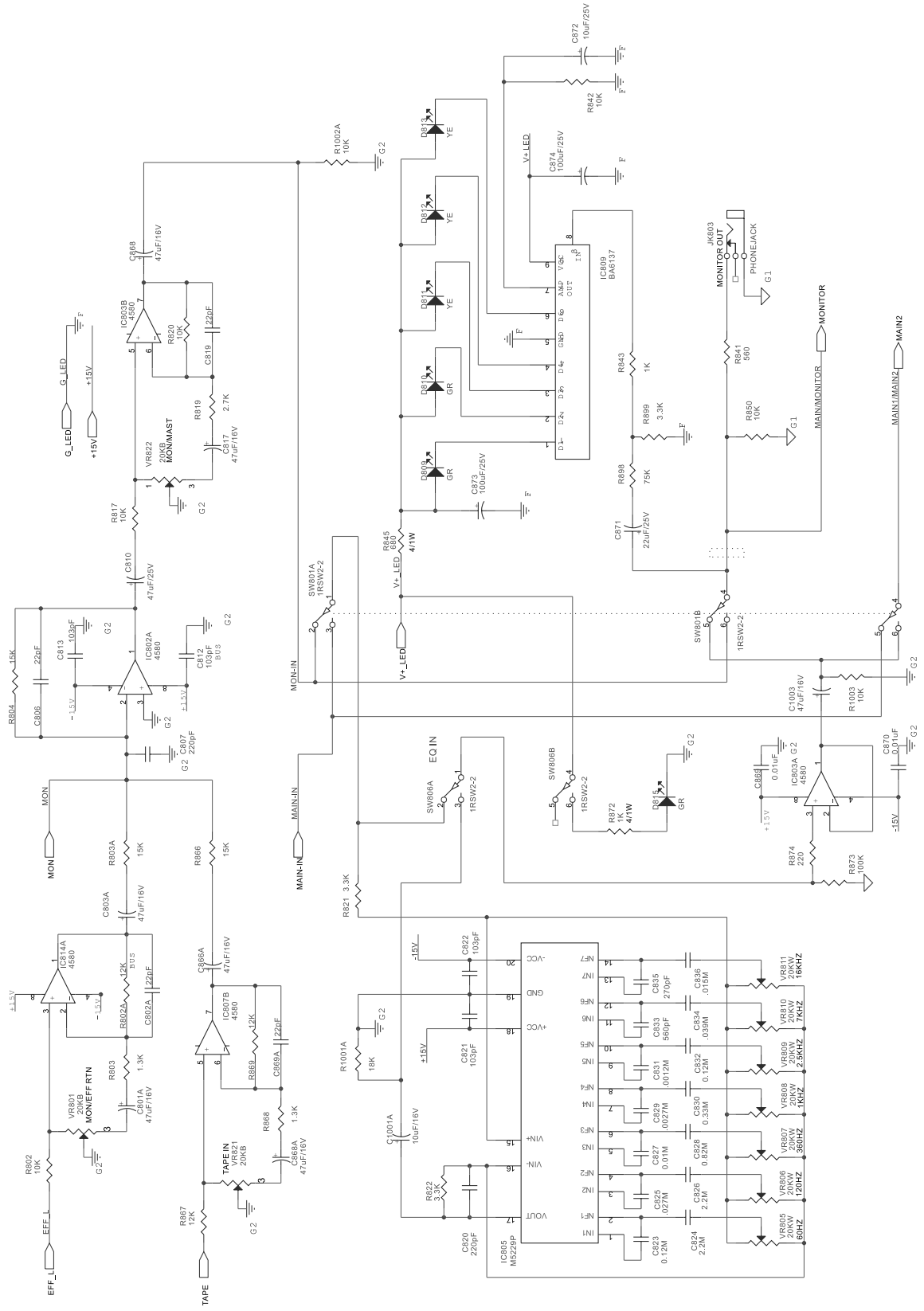
BLOCK



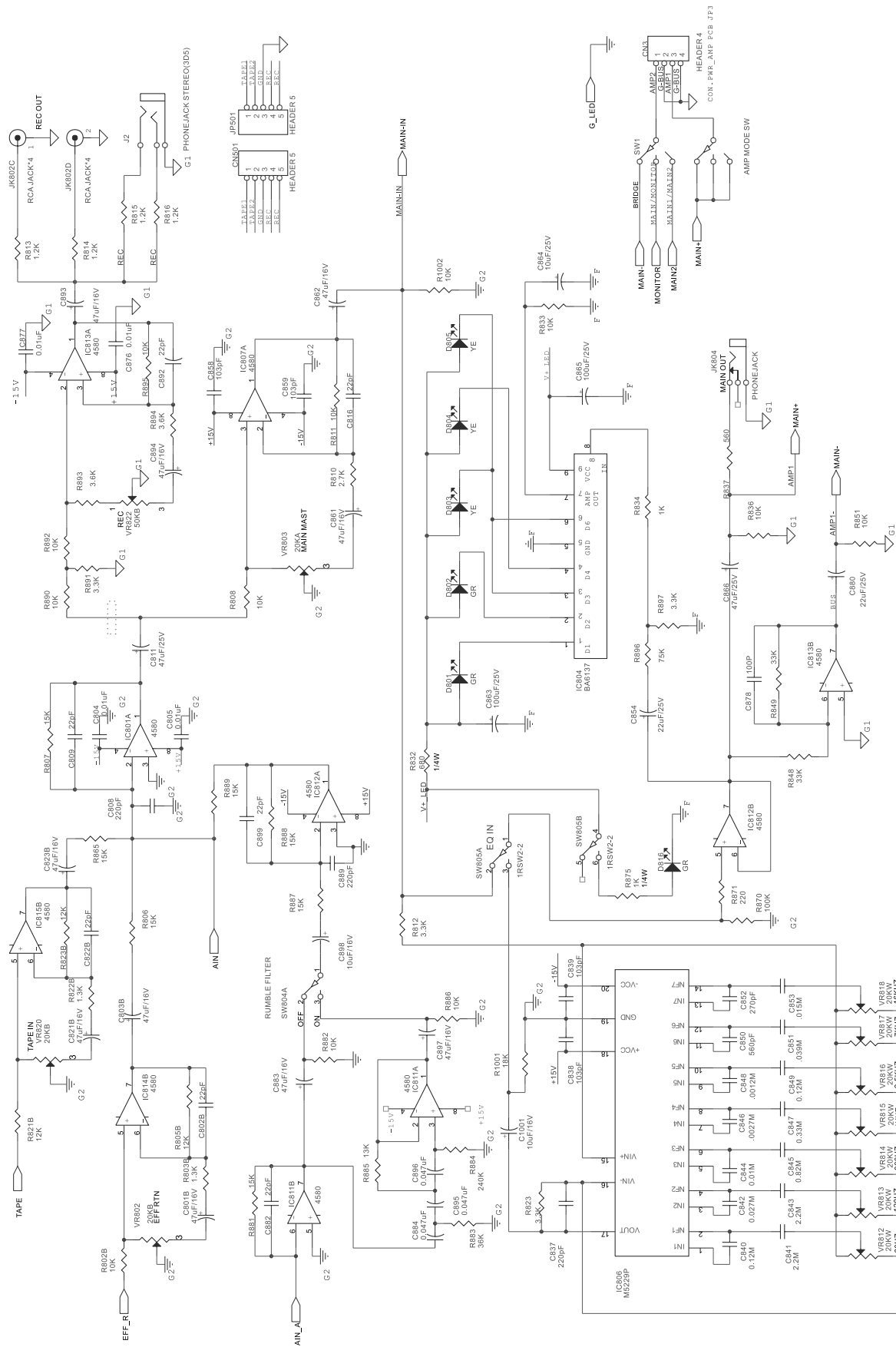
SW POWER



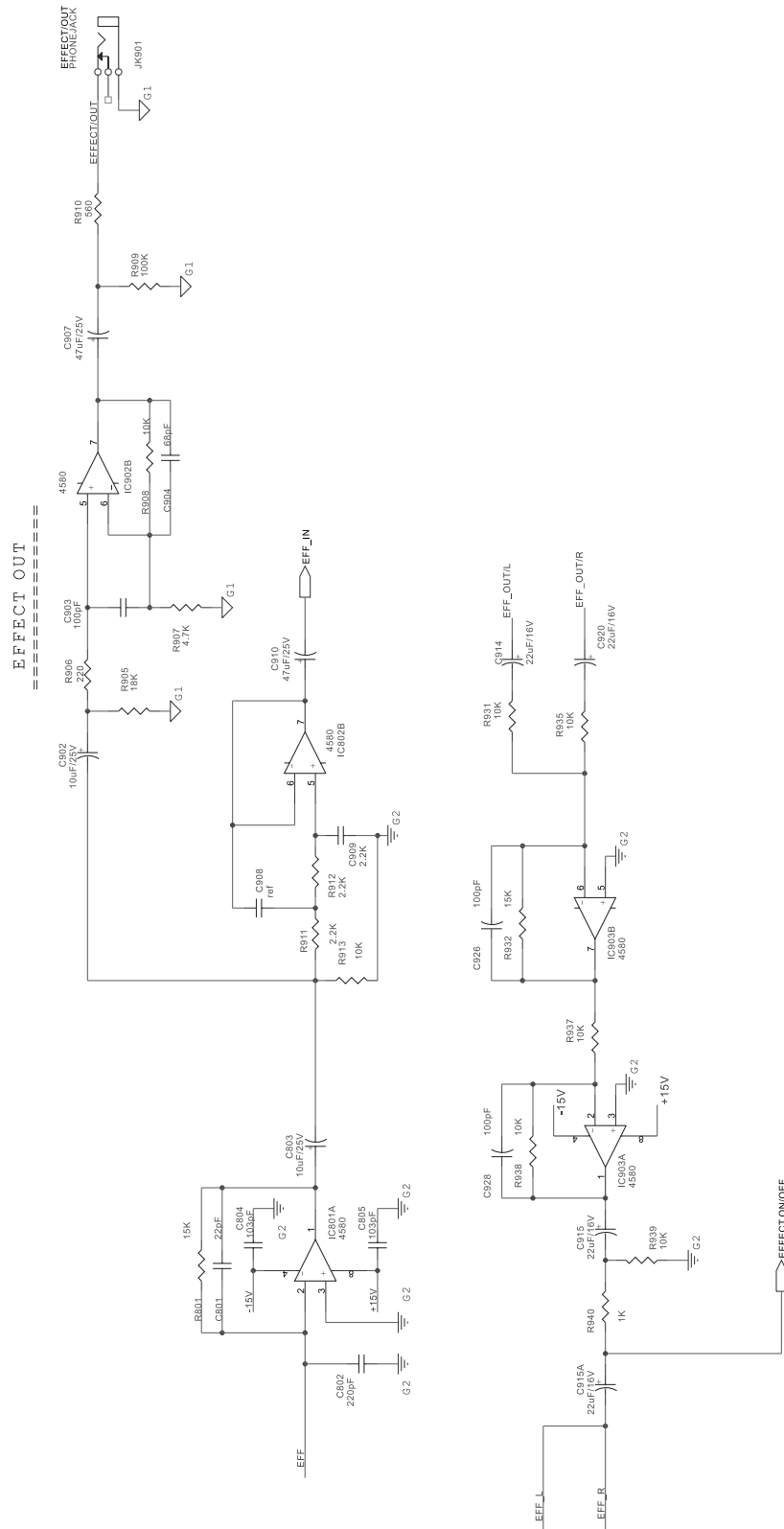
MONITOR



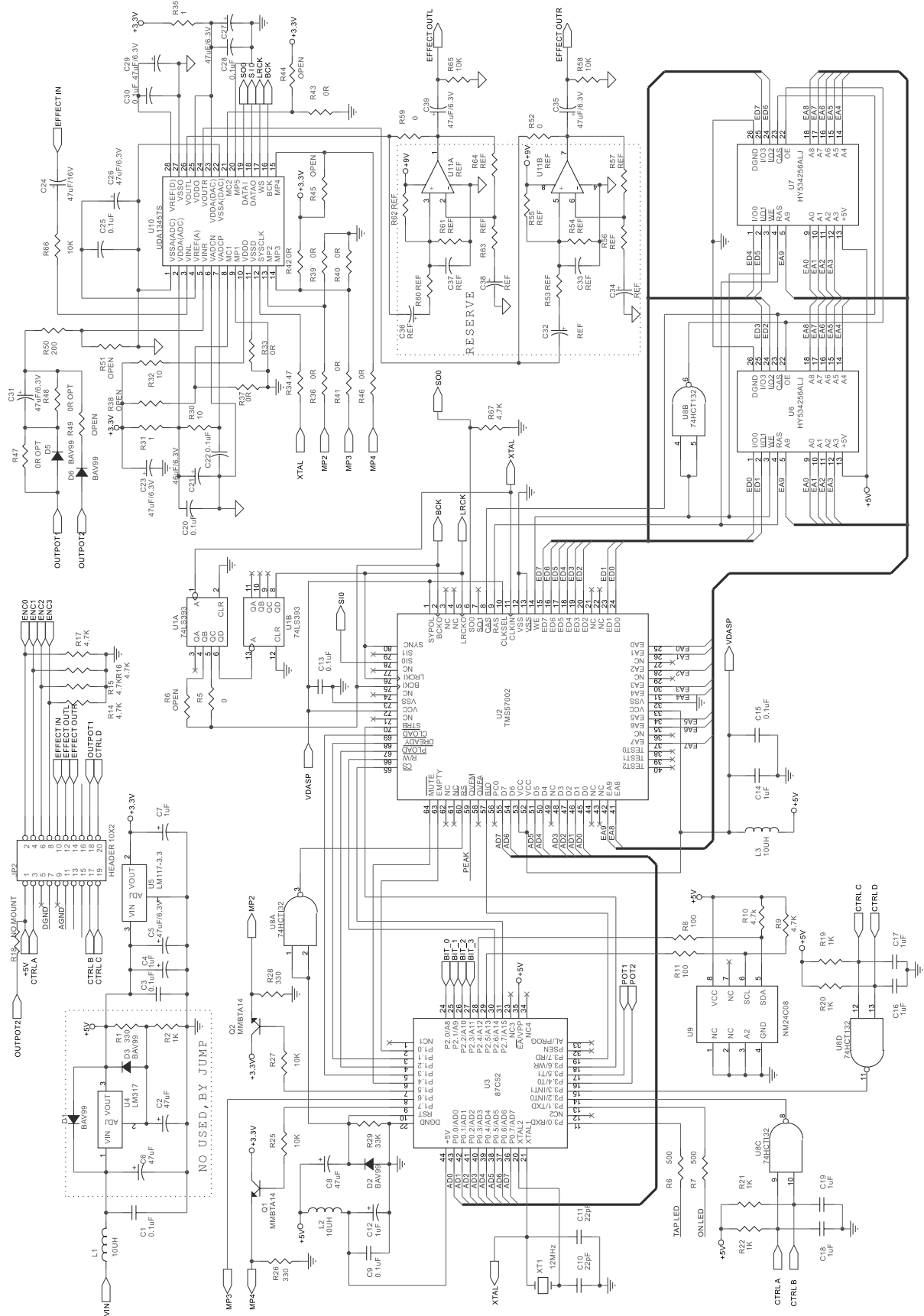
MAIN



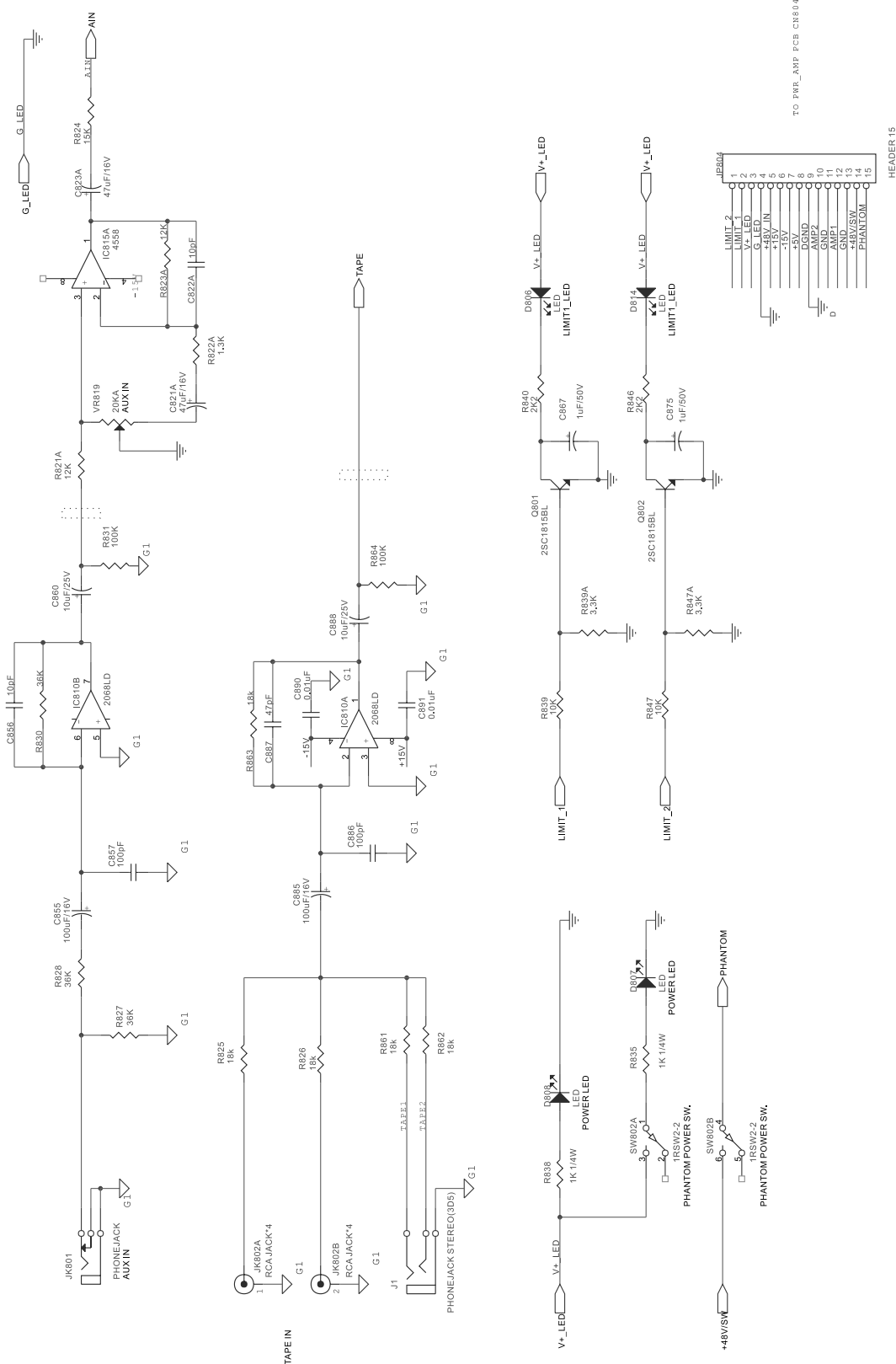
EFFECT



DSP

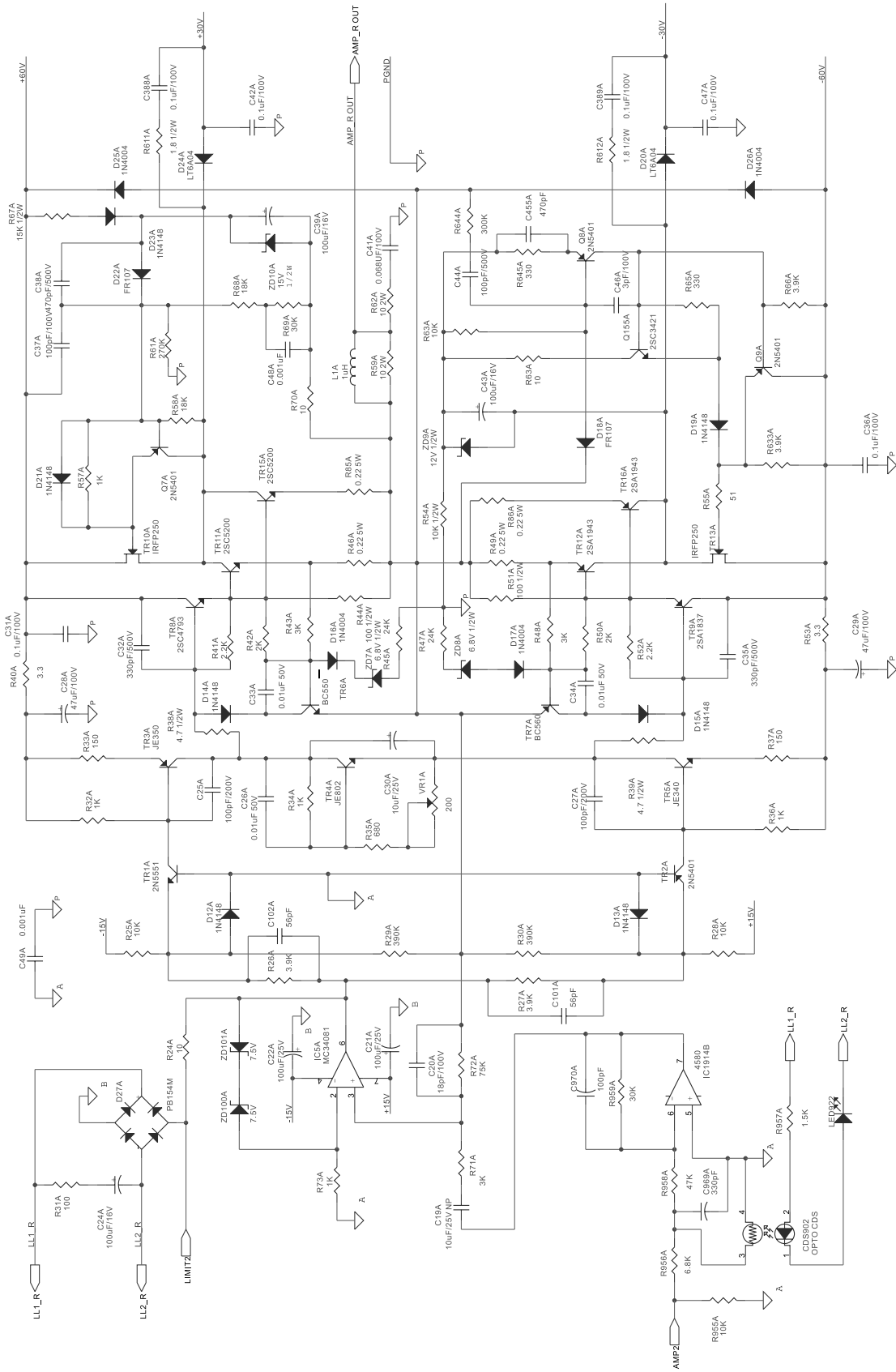


AUX TAP

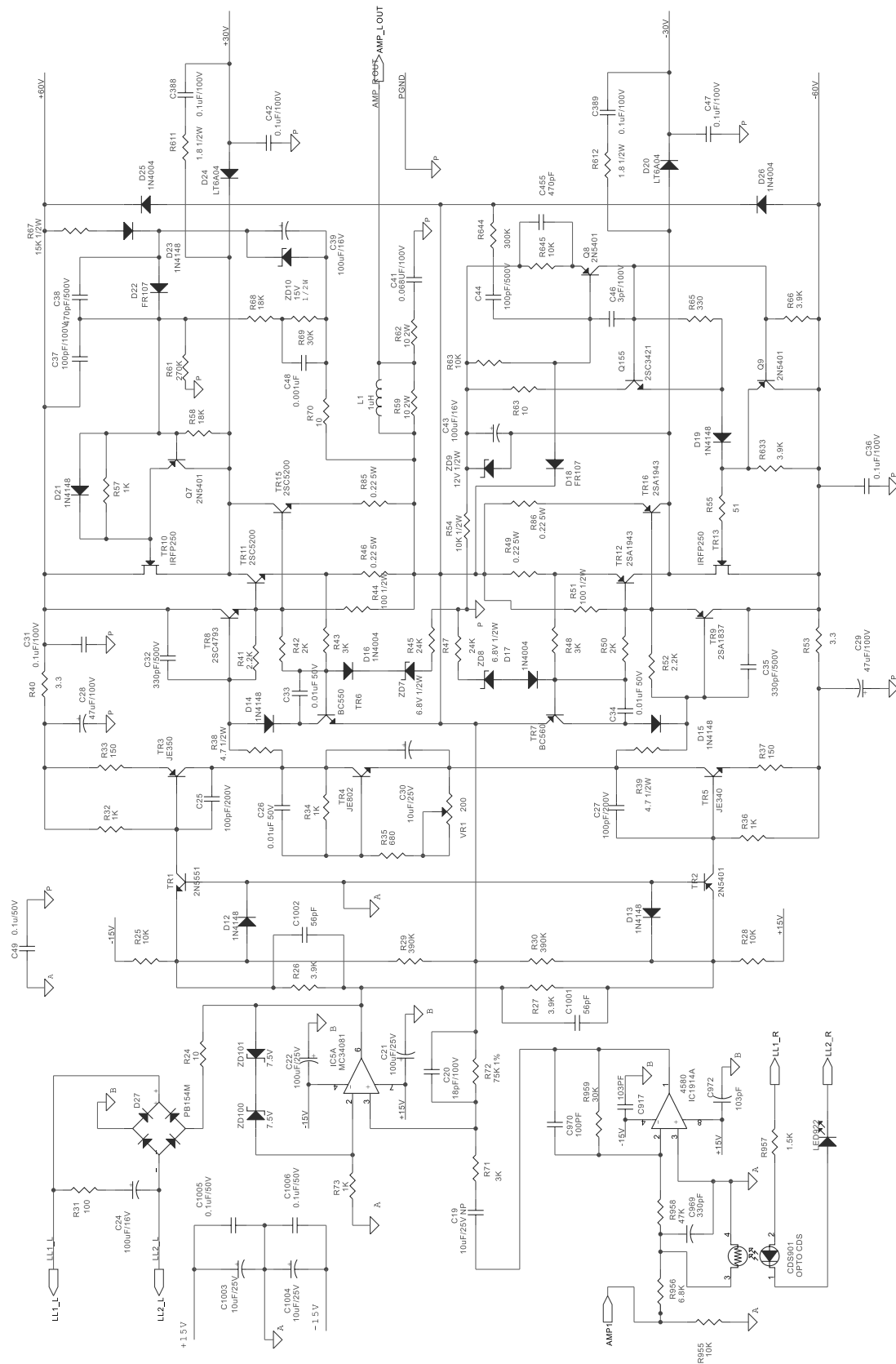


TO PWR_AMP PCB CR8.0.4

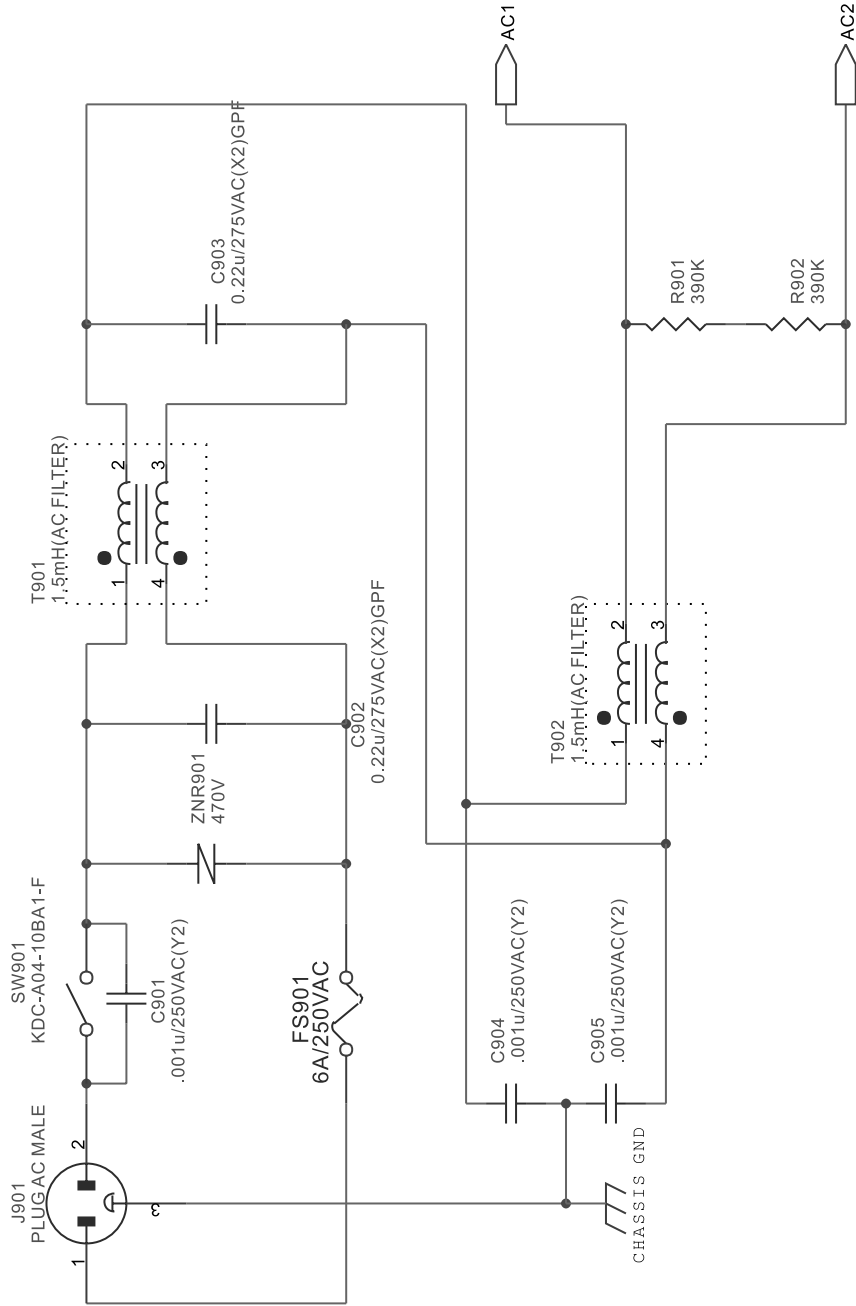
AMP R



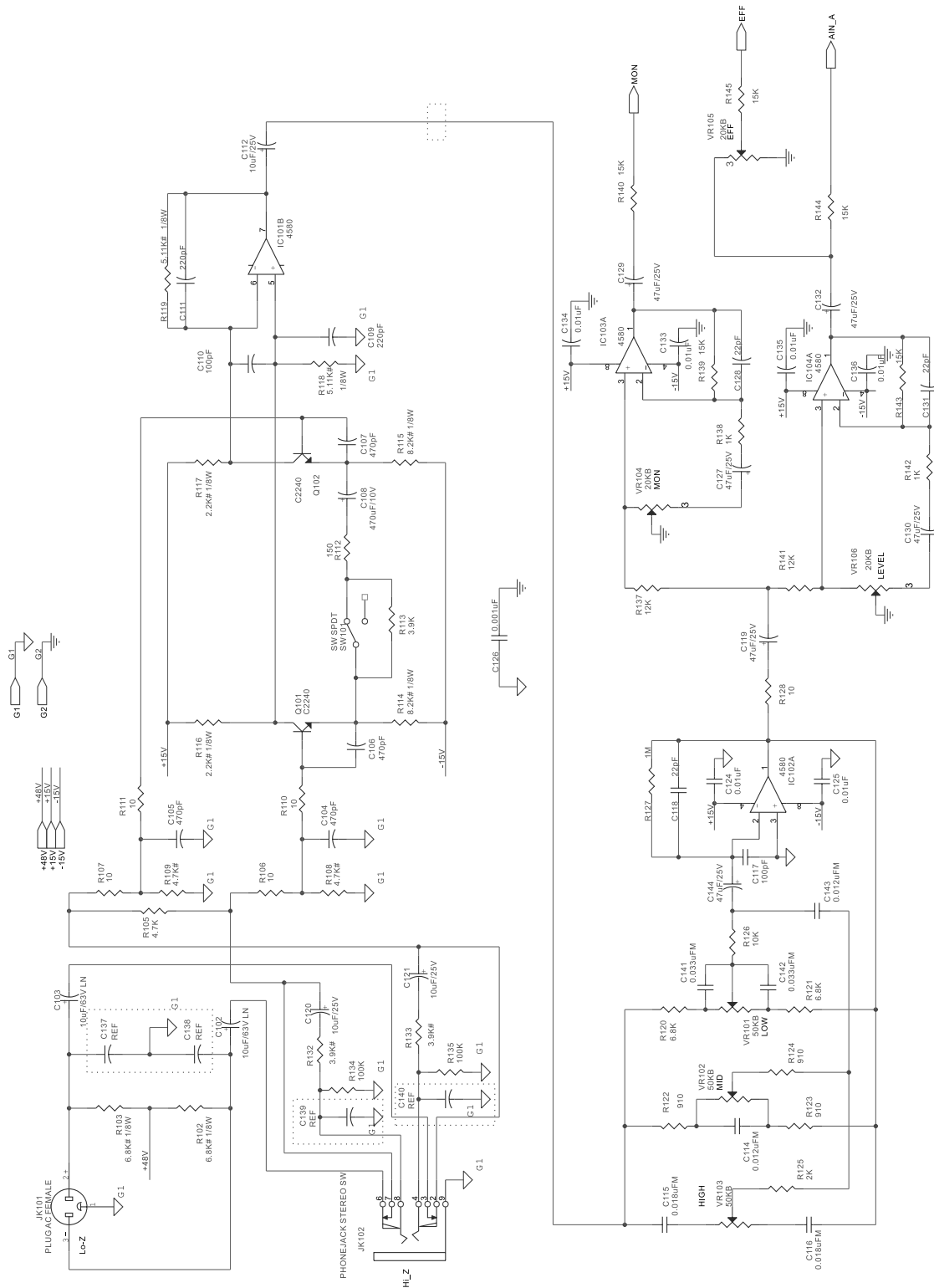
AMPL



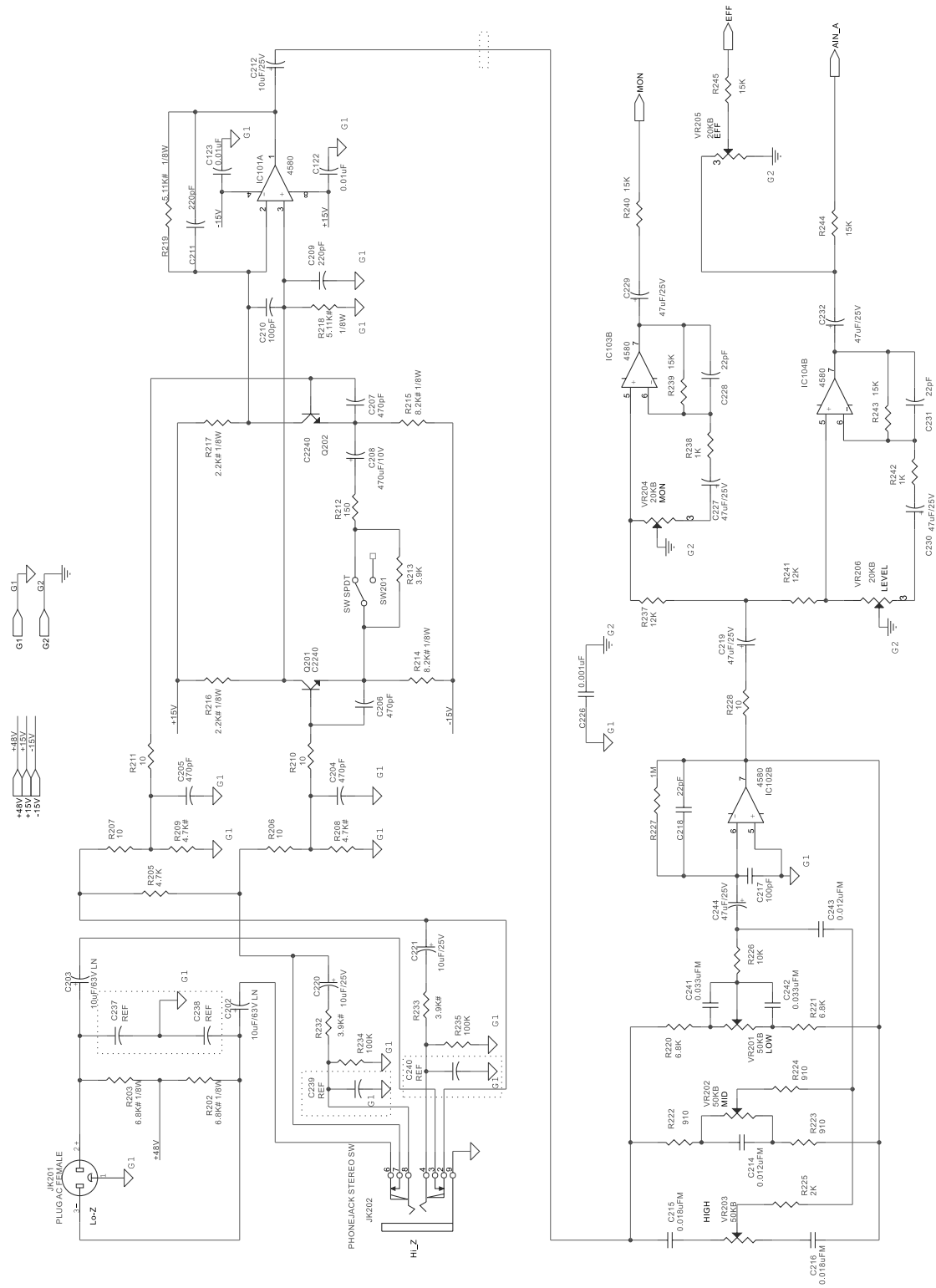
AC



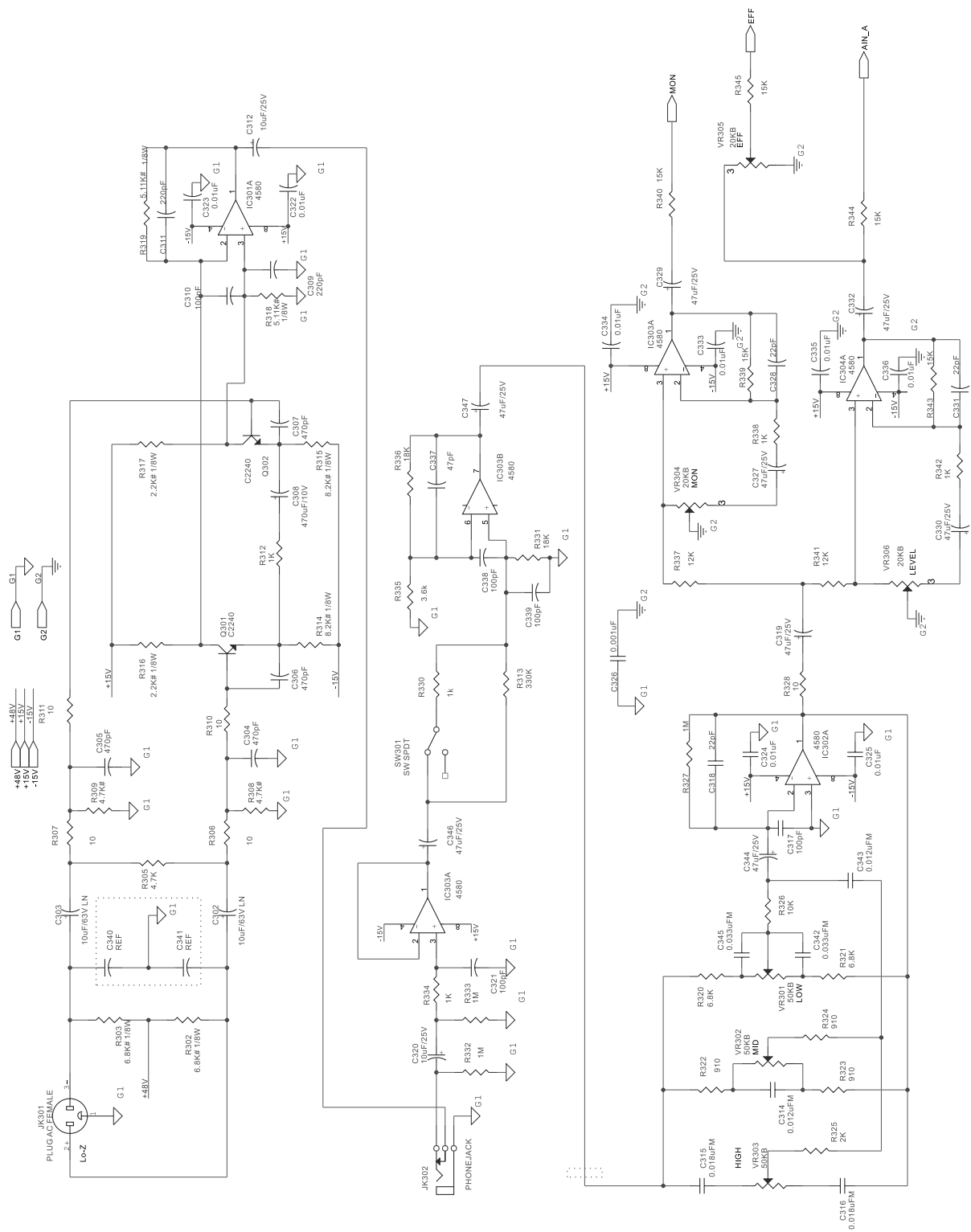
CH 1



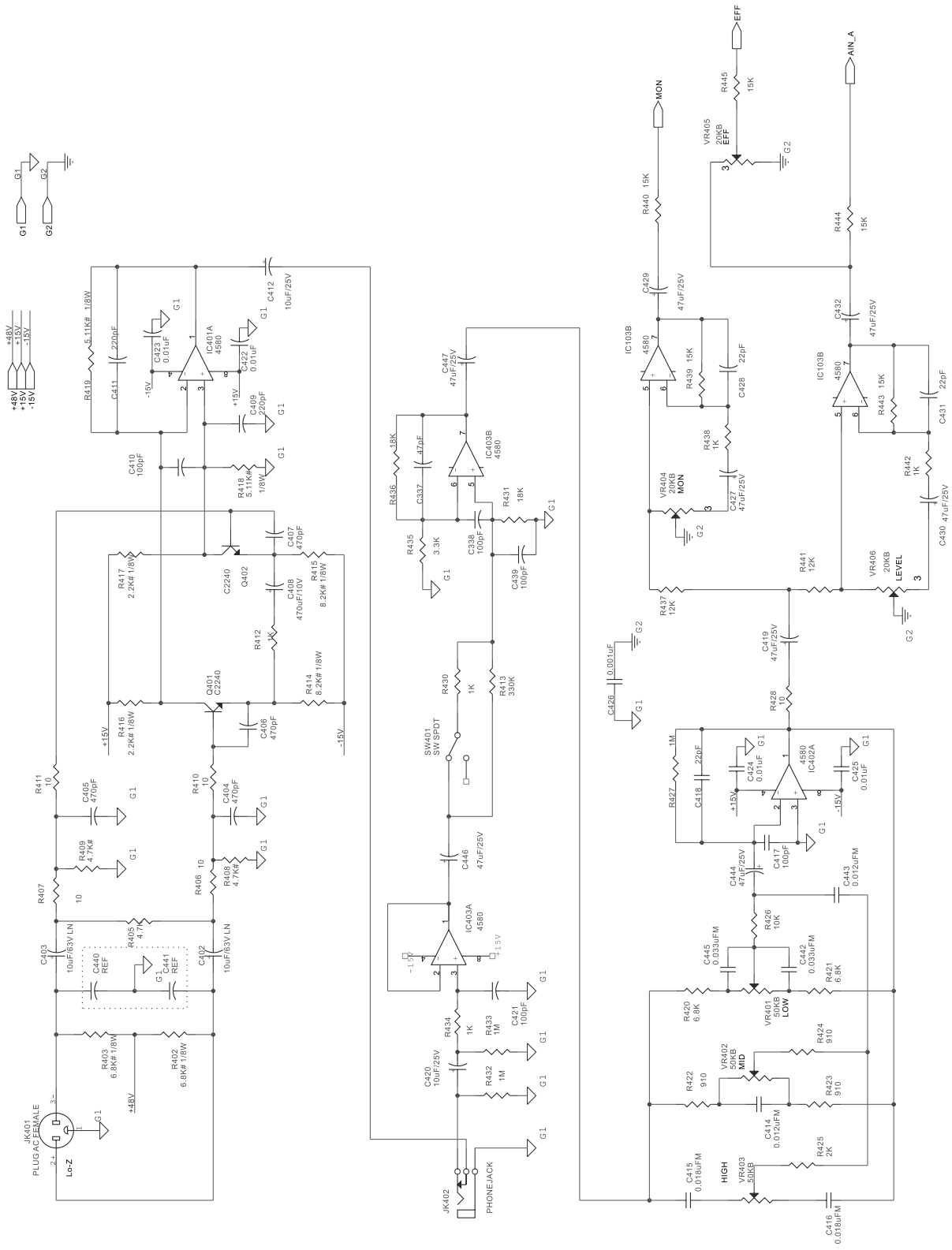
CH 2



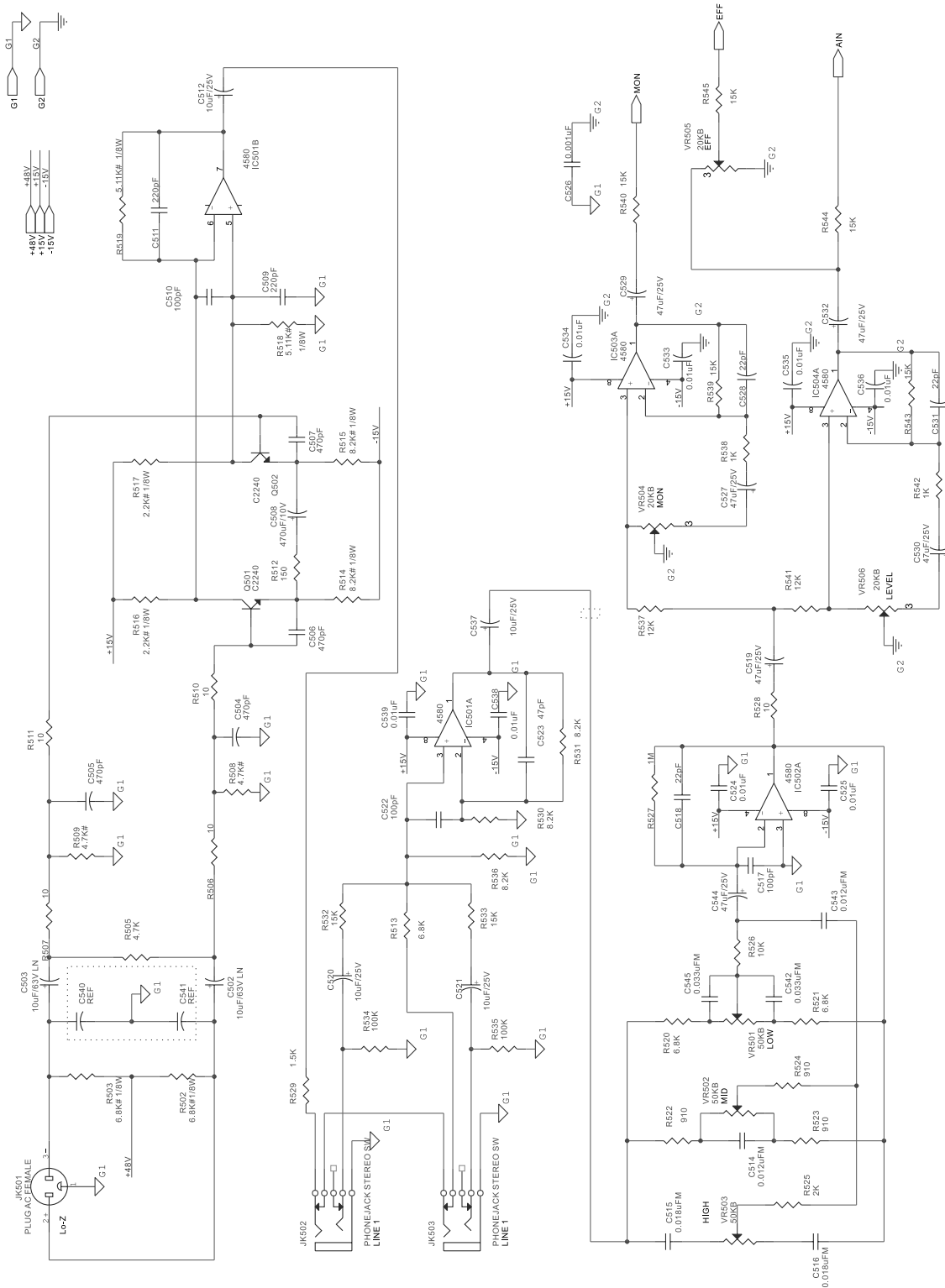
CH 3



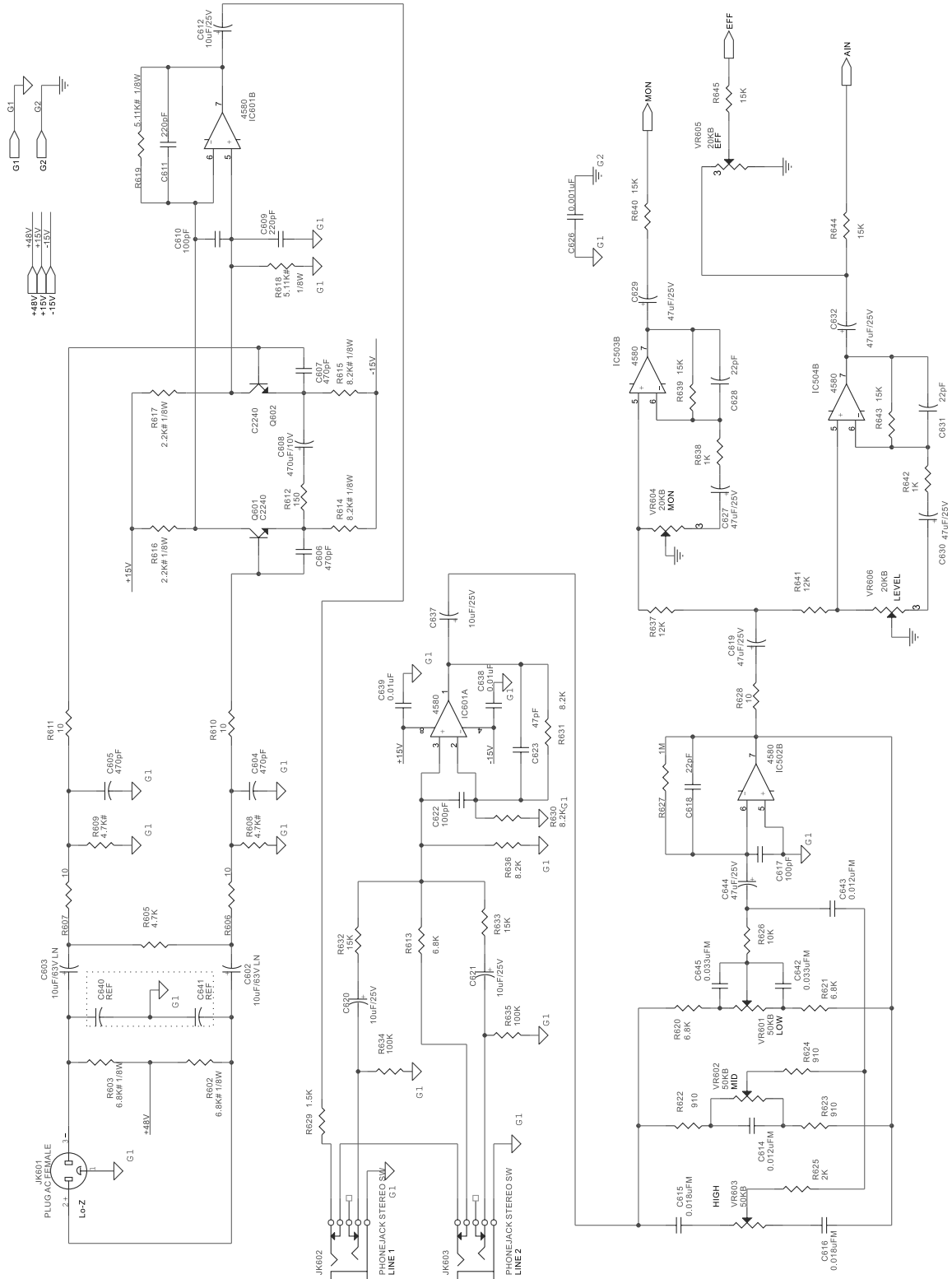
CH 4



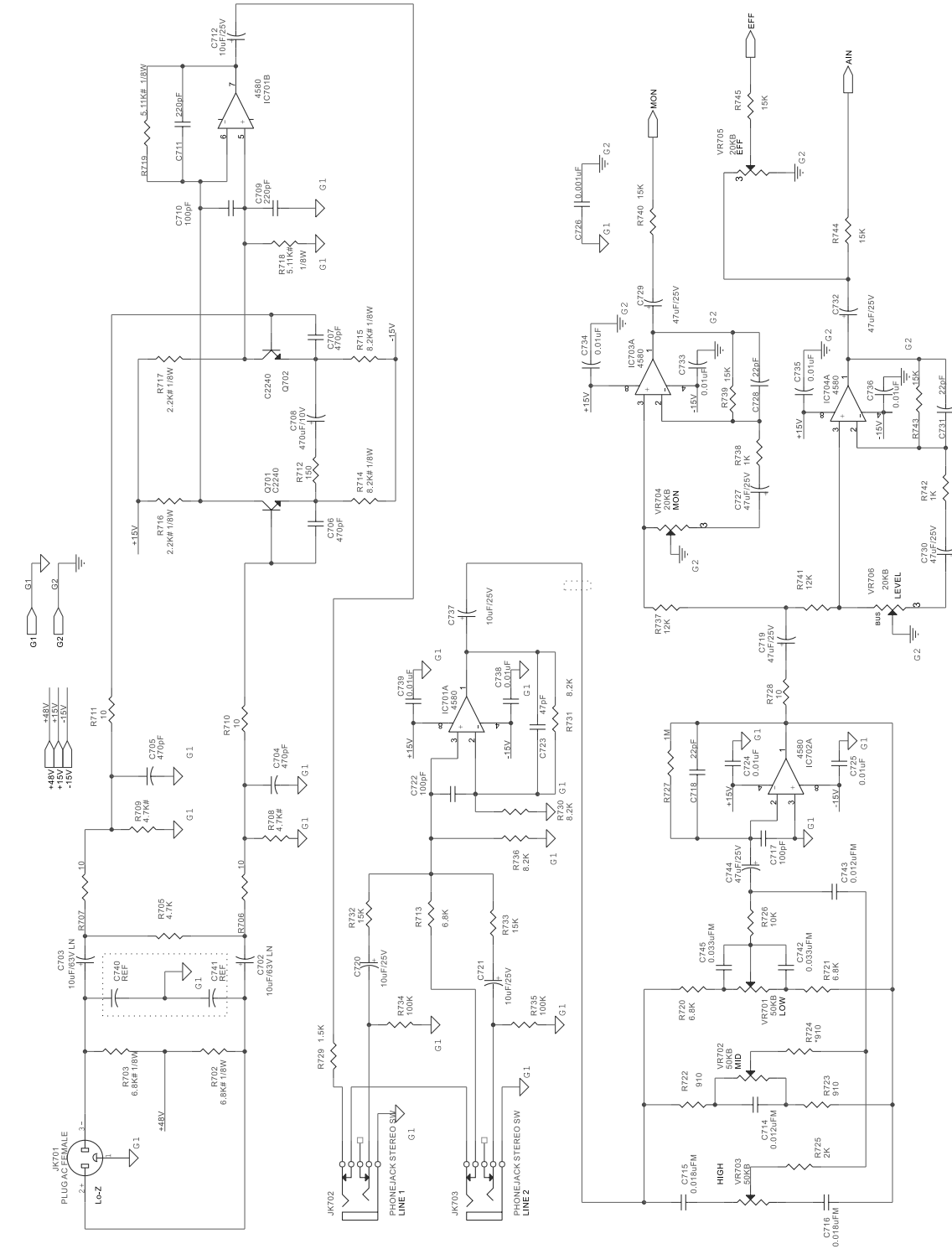
CH 5



CH 6



CH 7



-15V

DSP PCB-PART LIST

| Ref. | Phonic Part No. | Specifications |
|----------------------------------|-----------------|----------------------------------------|
| R5.33.36.37.41.43.46-48.52.59.J3 | 008-00002-600-0 | CHIP RES. 0 J 0603 |
| R30.32 | 008-01002-600-0 | CHIP RES. 10J SMT 0603 PKG |
| R8.11 | 008-01012-600-0 | CHIP RES. 100 J 0603 |
| R19-22 | 008-01022-600-0 | CHIP RES. 1K J 0603 |
| R25.27.58.65.66 | 008-01032-600-0 | CHIP RES. 10K J 0603 |
| R31.35 | 008-01072-600-0 | CHIP RES. 1 J 0603 |
| R50 | 008-02012-600-0 | CHIP RES. 200 J 0603 |
| R51 | 008-03012-600-0 | CHIP RES. 300 J 0603 |
| E26.28 | 008-03312-600-0 | CHIP RES. 330 J 0603 |
| R29 | 008-03332-600-0 | CHIP RES. 33K J 0603 |
| R34 | 008-04702-600-0 | CHIP RES. 47 J 0603 |
| R9.10.14.15.16.17.67 | 008-04722-600-0 | CHIP RES. 4.7K J 0603 |
| R121.13 | 008-51002-400-0 | CHIP RES. 510 F 0603 |
| C3.9.13.15.20.22.25.28.30 | 039-10426-230-0 | CHIP C/C 0.1MF M 50V 0603 |
| C7.12.14.16-19 | 039-10526-900-0 | CHIP E/C 1MF M 50V 4*5.4 |
| C35.39 | 039-10606-900-0 | CHIP E/C 10MF M 16V 4*5.4 |
| C10.11 | 039-22024-200-0 | CHIP C/C 22PF J 50V 0603 |
| C8.21.23.24.26.27.29.31 | 039-47646-900-0 | CHIP E/C 47MF M 6.3V 4*5.4 |
| D2 | 090-00039-000-0 | DIODE BAV99 SMD |
| Q1.2 | 120-00011-100-0 | TRAN. MMBTA14 SOT-23 SMD |
| U5 | 160-00027-200-0 | IC LD1117S33TR SOT-223-M REEL (ST/NS) |
| U10 | 160-00028-800-0 | CODEC IC UDA1345TS SSOP28 SMD PHIL-IPS |
| U1 | 170-00007-000-0 | TTL 74HC393 reel-M (PH) SMD |
| U8 | 171-00004-800-0 | MOS 74HCT132 SO14-D reel-M (PH) SMD |
| U2 | 177-00003-900-0 | DSP TMS57002 QFP-M TI SMD |
| U3 | 177-01005-200-0 | CPU TSB87C54X2 PLCC-M V.B(PH/SST)SMD |
| U6 | 177-01302-100-0 | DRAM IC MIIB416256A 35T TSOP ESMT |
| | 290-01660-401-0 | K12 DSP REV-B |
| XT1 | 300-12004-010-0 | CRYSTAL 12.000MHz SMD |

MISCELLANEOUS ITEMS

| Ref. | Phonic Part No. | Specifications |
|------------------|-------------------------------|----------------------------------------|
| JP901 FOR GND | 211-12300-040-0 | AC/S 0717-1-PS |
| | 315-00000-000-0 | LUG D4 |
| | 321-00000-020-0 | CABLE TIE 140MM |
| | 347-00000-240-0 | FAN SP601012M |
| | 379-02101-101-0 | M.WIRE UL1007 #24 100MM BLK |
| | 379-05800-1B1-6 | M/WIRE UL1007#18 80MM YLW/GRN |
| | 379-10191-121-0 | M.WIRE UL1617 #18 190MM RED |
| | 379-11601-103-6 | M.WIRE UL1015 AWG 16# BLK |
| | 379-12156-106-0 | WIRE 120MM UL1617#16 BLK |
| | 379-29101-121-0 | M.WIRE UL1617#18 100MM RED |
| | 510-61380-100-0 | PANEL SECC1.2 SILVER+GREY(432C) POD740 |
| | 511-60590-200-0 | BACK PANEL SECC1.2 SILVER+GREY(432C) |
| | 518-60240-001-0 | MU2442X |
| POWER SW | 540-20460-120-0 | R/KNOB D12.25*18mm GREY BODY+RED CAP |
| | 540-20460-220-0 | R/KNOB 12 12.25*18 GREY BODY |
| | 540-20460-320-0 | R/KNOB D12.25*18mm GREY BODY+WHT CAP |
| | 540-60300-220-0 | R/KNOB GREY BODY+BLUE CAP |
| | 540-60300-320-0 | R/KNOB GREY BODY+WHT CAP |
| | 540-60300-520-0 | R/KNOB GREY BODY+BLK CAP |
| | 542-60090-222-0 | P/KNOB WHT BODY+COOL GREY 11C |
| | 542-60280-020-0 | P/KNOB BLK BODY+WHT TEXT |
| | 543-60080-020-0 | P/KNOB PUSH BLK |
| | 551-60057-000-0 | LF BRKT |
| | 551-60093-000-0 | POWER SW BRKT SECC1.0 POD740/1062 |
| | 561-60390-000-0 | G/B SIZE: POD740 DELUXE |
| | 562-24190-000-0 | PULP PANEL 1032*581MM |
| | 566-10001-010-0 | SPONGE 25*10*2MM |
| | 568-00003-000-0 | #10 240*340*0.05 |
| | 568-30011-000-0 | PE BAG 300*110*0.05 |
| | 572-00000-050-0 | DRYER 5g |
| 573-60162-000-0 | FAN BLACK LABEL,D=22MM | |
| 573-60240-000-0 | BAR CODE LABEL PHONIC | |
| 574-01710-110-0 | OWN. MANU. POD740/1062 DELUXE | |
| 590-03008-100-0 | M/E FLT SCR. M3.0*8 NI | |
| 590-03008-200-0 | M/E FLT SCR. M3.0*8 BLK D=6 | |
| 590-03022-100-0 | M/E FLT SCR M3*22 NI | |
| 590-14032-200-7 | M/E OVL SCR. M4*32 BLK | |

| Ref. | Phonic Part No. | Specifications |
|-------------|------------------------|-----------------------------|
| | 590-43006-100-0 | M/E PAN SCR. M3.0*6 NI |
| | 590-43008-100-0 | M/E PAN SCR. M3.0*8 NI |
| | 590-53008-100-0 | M/E SET SCR. M3.0*8 NI |
| | 590-54010-100-0 | M/E SET SCR. M4*10 NI |
| | 590-54018-200-0 | M/E SET SCR. M4.0*18 BLK |
| | 591-03008-100-0 | T/P FLT SCR. D3.0*8 NI |
| | 591-43008-100-0 | T/P PAN SCR. M3*8 NI |
| | 592-23012-200-0 | W/O BID SCR. M3.0*12 BLK |
| | 600-00302-010-0 | HEX. NUT M3.0*2.0 NI |
| | 610-00300-501-0 | PLA. WAS. D3.0*D7.0*0.5 NI |
| | 610-00300-518-0 | FIBER WAS. D3*D7*0.5 RED |
| | 610-20901-001-0 | TOOTH WAS D9*12*1 NI |
| | 610-30300-501-0 | TOOTH WAS. D3.0*D6.5*0.5 NI |
| | 610-60401-001-0 | PAN SPR. WAS. D4*7.6*1.0 NI |
| | 610-80602-005-0 | WAS D6*16*2 |

MASTER AND INPUT PCB-PART LIST

| Ref. | Phonic Part No. | Specifications |
|---------------------------------------------------------------------------------------|------------------------|--------------------------------|
| R116.117.216.217.316.31 7.416.417.516.517.616.6 17.716.717 | 006-22012-440-0 | MF RES 2K2 F 0.25W T |
| VR104-106.204-206.304- 306.404-406.504- 506.604-606.704- 706.801-804.819-821 | 022-20350-010-0 | S.ROT/VR 20KB 30MM P |
| VR101-103.201-203.301- 303.401-403.501- 506.604-606.704- 706.801-804.819-821 | 022-50350-050-0 | S.ROT/VR 50KB(C.C) 30MM P |
| VR822 | 023-50340-050-0 | D.ROT/VR 50KB*2 (C.C) 25MM P |
| VR805-818 | 027-20372-010-0 | D.SLD/VR 20KW*2 20MM P |
| C108.208.308.408.508.6 08.708 | 030-10818-000-0 | E/C 1000MF Z 10V D8*14 P |
| C102.202 | 033-10664-0A0-0 | LN E/C 10MF J 63V T 6*11 |
| C848.831 | 040-12225-150-0 | ML/C 0.0012UF K 50V AL T |
| C824.826.841.843 | 040-22528-160-0 | ML/C 2.2MF Z 50V 5 T |
| C846.829 | 040-27225-150-6 | ML/C 0.0027UF K 50V CC5MM T AL |
| D806.807.814 | 100-00010-030-0 | LED BL-B5141 RED |
| LD917.803.804.805.811. 812.813 | 100-00040-000-0 | LED BL-B3141 YLW |
| D801.802.809.810.815.81 6.LD901-916 | 100-00050-000-0 | LED BL-B2141 GRN |
| D808 | 100-00070-030-0 | LED 204UBD D3 BLUE |
| IC805.806 | 160-00002-300-0 | IC M5229P MITSUBISHI |
| IC804.809 | 160-00004-000-0 | IC AN6884 DIP (MA) |
| IC905 | 171-00000-310-0 | MOS HD74HC74P DIP (TI/HI/PH) |
| IC904 | 171-00003-500-0 | MOS 74HC14 DIP (HT/TI/PH) |
| IC901 | 177-02000-301-0 | GAL IC 16V8D-15 LP LATTICE |
| SW802 | 210-01202-360-6 | SLD/SW SS-22F20G8 |
| SW1 | 210-01203-110-0 | SLD/SW SSK-23E03-G10-NS |
| SW801 | 210-01402-020-0 | SLD/SW 4P2T H=19MM |
| SW804.805.806.902 | 210-02201-440-0 | PSH/SW 2P2T SFPC12MC03-PF |
| SW101.201.301.401 | 210-02202-070-0 | PUSH/SW SPEC12HC11-JP |
| SW901 | 210-16000-000-0 | ENCODER SDB161PVB20F-1-4-16PC |
| JK802 | 211-00040-020-0 | 4P RCA/J RL-1414 4DB |
| JK1.2 | 211-01302-100-0 | 3D5/J EJ 3536B |
| JK302.402.801 | 211-01601-240-0 | 6D3/J JY-6351-02-130 SCJ-0658 |
| JK102.202 | 211-01602-220-0 | 6D3/J APJ-06-2 |
| JK502.503.602.603.702. 703.902 | 211-01602-380-0 | 6D3/J (SCJ-0658-Y) |
| JK803.804.901 | 211-01602-390-0 | 6D3/J JY-6351-02-030 SCJ-0658 |

| Ref. | Phonic Part No. | Specifications |
|-------------------------------------------------------------------------------------------------------------------------------------------------------------------------------------------------------------------------------------------------|------------------------|----------------------------|
| JK101.201.301.401.501. 601.701 | 211-03300-160-0 | XLR/J SKCA229-1K3F2 |
| R128.228.328.428.528.6 28.728.106.107.110.111. 206.207.210.211.306.30 7.310.311.406.R407.410 .411.506.507.510.511.60 6.607.610.611.706.707.7 10.711 | 008-01002-600-0 | CHIP RES. 10J SMT 0603 PKG |
| R138.142.238.242.338.3 42.438.442.538.542..638. 642.738.742.834.843.915 .926.R312.334.434.412.3 30.430 | 008-01022-600-0 | CHIP RES. 1K J 0603 |
| R126.226.326.426.526.62 6.726.811.820.833.839.8 42.847.882.886.808.817. 908.R1002.1002A.1003.8 34.938.890.892.895.913. 921.937.802.802B.836.85 0-852.931.935 | 008-01032-600-0 | CHIP RES. 10K J 0603 |
| R134.135.234.235.534.53 5.634.635.734.735.831.8 64.870.873.909 | 008-01042-600-0 | CHIP RES. 100K J 0603 |
| R127.227.327.427.527.62 7.727.332.333.432.433 | 008-01052-600-0 | CHIP RES. 1M J 0603 |
| R813-816 | 008-01222-600-0 | CHIP RES. 1.2K J 0603 |
| R137.141.237.241.337.3 41.437.441.537.541.637. 641.737.741.802A.805B. R821A.821B.823A.823B. 867.869 | 008-01232-600-0 | CHIP RES. 12K J 0603 |
| | 008-01322-600-0 | CHIP RES. 1.3K J 0603 |
| R885 | 008-01332-600-0 | CHIP RES. 13K J 0603 |
| R112.212.512.612.712 | 008-01512-600-0 | CHIP RES. 150 J 0603 |
| R529.629.729 | 008-01522-600-0 | CHIP RES. 1.5K J 0603 |
| R139.140.143-145.239 .240.243.244.339.340. 343-345.439.440.443- 445.539.540.543-545.R6 39.640.643.644.645.739 .740.743.744.745.881.88 7.888.245.803A.804.806. 807.801.R824.865.866.8 89.532.533.632.633.732. 733.932 | 008-01532-600-0 | CHIP RES. 15K J 0603 |
| R331.431.336.436.825.8 26.861.862.863.905.1001 .1001A | 008-01832-600-0 | CHIP RES. 18K J 0603 |

| Ref. | Phonic Part No. | Specifications |
|-----------------------------------------------------------------------------------------------------------------------------------------------|------------------------|----------------------------|
| R125.225.325.425.525.6 25.725 | 008-02022-600-0 | CHIP RES. 2K J 0603 |
| R871.874.906 | 008-02212-600-0 | CHIP RES. 220 J 0603 |
| R911.912 | 008-02222-600-0 | CHIP RES. 2.2K J 0603 |
| C909 | 008-02232-600-0 | CHIP RES. 22K J 0603 |
| R884.924.925 | 008-02442-600-0 | CHIP RES. 240K J 0603 |
| R810.819 | 008-02722-600-0 | CHIP RES. 2.7K J 0603 |
| R812.821.822.823.839A. 847A.897.899.923 | 008-03322-600-0 | CHIP RES. 3.3K J 0603 |
| R848.849 | 008-03332-600-0 | CHIP RES. 33K J 0603 |
| R313.413 | 008-03342-600-0 | CHIP RES. 330K J 0603 |
| R335.435.893.894 | 008-03622-600-0 | CHIP RES. 3.6K J 0603 |
| R827.828.830.883 | 008-03632-600-0 | CHIP RES. 36K J 0603 |
| R891 | 008-03922-600-0 | CHIP RES. 3.9K J 0603 |
| R922 | 008-04732-600-0 | CHIP RES. 47K J 0603 |
| R837.841.910 | 008-05612-600-0 | CHIP RES. 560 J 0603 |
| R120.121.220.221.320.32 1.420.421.520.521.620.6 21.720.721.513.613.713 | 008-06822-600-0 | CHIP RES. 6K8 J 0603 |
| R896.898 | 008-07532-600-0 | CHIP RES. 75K J 0603 |
| R530.531.536.630.631.63 6.736.730.731 | 008-08222-600-0 | CHIP RES. 8.2K J 0603 |
| R122.123.222.223.322.32 3.422.423.522.523.622.6 23.722.723.124.224.324. 424.524.624.R724 | 008-09112-600-0 | CHIP RES. 910 J 0603 |
| | 008-39012-400-0 | CHIP RES. 3.9K F 0603 |
| R108.109.208.209.308.30 9.408.409.508.509.608.6 09.708.709.105.205.305. 405.505.605R705.907 | 008-47012-400-0 | CHIP RES. 4.7K F 0603 |
| C856 | 039-10024-220-0 | CHIP C/C 10PF J 50V 0603 |
| C109.111.209.211.309.31 1.409.411.509.511.609.61 1.709.711 | 039-10124-000-0 | CHIP C/C 100PF J 50V 0805 |
| C117.217.317.417.517 .617.717.903.926.928 .110.210.310.321.338 .339.410.421.438.439 .C510.522.610.622.71 0.722.857.878.886.923 | 039-10124-220-0 | CHIP C/C 100PF J 50V 0603 |
| C126.226.326.426.526.6 26.726 | 039-10224-220-0 | HIP C/C 0.001MF J 50V 0603 |

POWER REQUIREMENT CLASSIFICATION

| Ref. | Phonic Part No. | Specifications |
|---------------------------------------------------------------------------------------------------------------------------------------------------------------------------------------------------------------------------------------------------------------------------|------------------------|------------------------------|
| C124.125.324.325.524.5 25.724.725.869.870.916 .917.133.333.533.733.73 4.334.534.134.C135.335 .535.735.804.805.812.8 13.821.822.838.839.858 .859.136.336.536.736.C 122.123.322.323.538.53 9.638.639.738.739.876.8 77.890.891.905.906.CL1- 16 | 039-10324-220-0 | CHIP C/C 0.01MF J 50V 0603 |
| C901.921.922 | 039-10424-220-0 | CHIP C/C 0.1MF J 50V 0603 |
| C128.131.228.231.328.3 31.428.431.528.531.628. 631.728.731.801.802A.8 02B.806.809.C816.819.8 22A.822B.869A.882.899. 892.118.218.318.418.518 .618.718 | 039-22024-220-0 | CHIP C/C 22PF J 50V 0603 |
| C104-107.204-207.304- 307.404-407.504- 507.604-607.704-707 | 039-47124-220-0 | CHIP C/C 470PF J 50V 0603 |
| | 039-22124-220-0 | CHIP C/C 220PF J 50V 0603 |
| | 039-47024-220-0 | CHIP C/C 47PF J 50V 0603 |
| C884.895.896 | 039-47324-220-0 | CHIP C/C 0.047MF J 50V 0603 |
| C904 | 039-68024-220-0 | CHIP C/C 68PF J 50V 0603 |
| IC102-104.302-304.502- 504.702-704.801-803.807 .811.812.814.815.903.IC1 01.301.401.403.501.601. 701.810.813.902 | 160-00024-100-0 | IC NJM4580M DMP (JRC) 2K SMD |
| R901-904 | 000-10106-400-0 | CF RES. 100 J 1/8W T |
| R835.838.872.875 | 000-10226-400-0 | CF RES. 1K J 0.25W T |
| R840.846 | 000-22226-400-0 | CF RES. 2K2 J 0.25W T |
| R927 | 000-33126-400-0 | CF RES. 330 J 0.25W T |
| R832.845 | 000-68126-400-0 | CF RES. 680 J 0.25W T |
| R102.103.202.203.303 .402.403.502.503.602 .603.702.703 | 000-68206-400-0 | CF RES. 6K8 J 1/8W T |
| R118.119.218.219.318.31 9.418.419.518.519.618.6 19.718.719 | 006-51110-440-0 | MF RES 5.11K F 1/8W T |
| R114.115.214.215.314.31 5.414.415.514.515.614.6 15.714.715 | 006-82010-440-0 | MF RES 8K2 F 1/8W T |
| C867.875 | 030-10555-000-0 | E/C 1MF K 50V 5*11 P |

| Ref. | Phonic Part No. | Specifications |
|------------------------------------------------------------------------------------------------------------------------------------------------------------------------------------------------------------------------------------------------------------------------------------------------------------------------------|------------------------|---------------------------------|
| C803.864.872.898.112 .120.121.212.220.221 .312.412.512.520.521.53 7.612.620.C637.712.720. 721.737.860.888.902.621 .320.420 | 030-10636-0A0-0 | E/C 10MF M 25V 5*11 T |
| | 030-10736-0A0-0 | E/C 100MF M 25V 8*11 T |
| C854.871.880.914.915. 920. | 030-22636-0A0-0 | E/C 22MF 25V Z 5*11 T |
| C119.127.129.130.132.2 19.227.229.230.232.319. 327.329.144.244.344.444 .544.644.744.C330.332.4 19.427.429.430.432.519. 527.529.530.532.619.627 .629.630.632.719.727.72 9.C730.732.810.811.883. 910.861.862.866.893 .89 4.907.346.347.446.447.8 97.C801A.801B.803A.80 3B.817.821A.821B.823A. | 030-47626-0A0-0 | E/C 47MF M 16V 5*11 T |
| C103.203.302.303.402. 403.502.503.602.603.70 2.703 | 033-10664-0A0-0 | LN E/C 10MF J 63V T 6*11 |
| C915A | 035-22626-0A0-0 | MINI E/C 22MF M 16V T |
| C844A.827 | 040-10325-160-6 | ML/C 0.01UF 50V P5 T |
| C823.832.840.849 | 040-12425-160-6 | ML/C 0.12MF K 50V 5 T |
| C836.853 | 040-15325-100-0 | ML/C 0.015MF K 50V P 5 T |
| C825.842 | 040-27325-160-0 | ML/C 0.027MF K 50V 5 T |
| C830.847 | 040-33426-100-0 | ML/C 0.33MF M 50V P 5 T |
| C834.851 | 040-39325-160-0 | ML/C 0.039UF K 50V 5 T |
| C833.850 | 040-56134-100-6 | ML/C 560PF 100V J P 5T |
| C828.845 | 040-82426-140-0 | ML/C 0.82MF M 50V 5 T |
| C835.852 | 042-27125-050-0 | C/C2 270PF K 50V 5 T |
| C114.214.314.414.514 .614.714.143.243.343 .443.543.643.743 | 046-12304-060-0 | M/C 0.012MF J 50V 5 T |
| C115.215.315.415.515.61 5.715.116.216.316.416.5 16.616.716 | 046-18304-060-0 | M/C 0.018MF J 50V T |
| C141.142.241.242.345.34 2.445.442.545.542.645.6 42.742.745 | 046-33304-060-0 | M/C 0.033MF J 50V 5 T |
| Q801.802 | 120-00000-800-0 | TRN 2SC1815 GR TO-92-D REEL(TO) |

| Ref. | Phonic Part No. | Specifications |
|------------------------------------------------------------------|------------------------|-----------------------------------|
| Q101.102.201.202.301.3 02.401.402.501.502.601. 602.701.702 | 120-00001-010-0 | TRN 2SC2240 TO-92-D REEL(TO) |
| C800.818.879.881.900.10 01.1001A | 382-10005-010-0 | TINNER WIRE 5MM D0.6 |
| | 290-60740-601-0 | POD740 DELUXE MASTER+INPUT+JK PCB |

AMP PCB-PART LIST

| Ref. | Phonic Part No. | Specifications |
|------------------------------------------|------------------------|--------------------------------------------|
| R54.54A.67.67A | 000-15336-400-0 | CF RES. 15K J 0.5W T |
| R611.612.611A.612A | 000-18736-400-0 | CF RES. 1.8 J 0.5W T |
| R1.2.62.62A | 003-10073-600-0 | CEMENT RES. 10 J 5W |
| R46.46A.49.49A.85.85A.8 6.86A | 003-22093-601-0 | CEMENT RES. 0.22 J 5W AL |
| FUSE RES. 100 J 0.5W P | 004-10136-800-0 | FUSE RES. 100 J 0.5W P |
| FUSE RES. 4.7 0.5W | 004-47736-800-0 | FUSE RES. 4.7 0.5W |
| CDS901.902 | 010-00007-000-0 | CDS 32SR2S SILONEX |
| PTC1 | 011-22010-000-0 | PTC PTMS2331RP416B16 |
| VR1.1A | 020-47138-000-6 | T/VR 470J T-085C-B470 0.5W |
| C18 | 030-10736-0A0-0 | E/C 100MF M 25V 8*11 T |
| C11.11A | 030-10768-0A0-0 | E/C 100MF Z 63V 10*17 T |
| C28.28A.29.29A | 030-47686-0A0-0 | E/C 47MF M 100V 10*17 T |
| C455.455A | 042-47164-050-0 | C/C2 470PF J 350V 5 T |
| L1.1A | 075-10082-100-0 | INDUCTANCE 1UH K M |
| KP1 | 076-02422-010-0 | RELAY OSA-SH-224DM3M |
| D3.10.16.16A.17.17A.25.2 5A.26.26A.3A | 090-00007-020-0 | DIODE 1N4004 SILTEK T |
| D20.20A.24.24A | 090-00017-000-0 | DIODE LT6A04 |
| ZD9.9A | 090-01123-000-0 | ZEN/DIODE 12V J 0.5W UNIZON POD/XP/ MAX |
| ZD1(□□) | 090-01243-100-0 | ZENER DIODE 24V J 1W |
| D18.18A.22.22A | 090-02004-000-0 | DIODE 1N4935 T |
| D27.27A | 090-10000-000-0 | B/DIODE PB154 |
| LED901.922 | 100-00010-030-0 | LED BL-B5141 RED |
| Q2.3.TR5.5A | 120-00005-000-0 | TRN MJE340 SOT32-DIP(ON/MO) |
| TR11.11A.15.15A | 120-00008-600-0 | TRN 2SC5200-O DIP(TO) 100 |
| TR4.4A | 120-00008-800-0 | TRN MJE802 SOT-32-D(MO) 500 DIP |
| TR8.8A | 120-00009-500-0 | TRN 2SC4793-M DIP(TO) 500 |
| TR12.12A.16.16A | 121-00006-000-0 | TRP 2SA1943-O DIP(TO) 100 |
| TR3.3A | 121-00006-100-0 | TRP MJE350 SOT-93-D (ON) |
| TR9.9A | 121-00007-200-0 | TRP 2SA1837-M DIP(TO) |
| TR10.10A.13.13A | 122-00002-500-0 | TRF IRFP250N TO-247-D REEL (IR) |
| IC4 | 160-00001-219-0 | IC 7812 DIP (ST) 400 |
| IC3 | 160-00002-909-0 | IC ST7915 TO-220-D(ST) |
| IC1 | 160-00004-114-0 | IC 7805 DIP(ST) 400 |
| IC2 | 160-00005-909-0 | IC ST7815 TO-220-D(ST) DIP |
| IC914 | 160-00017-500-0 | IC NJM4580D DIP(JRC) |
| IC5.6 | 160-00021-900-0 | IC NJM5534D DIP8-D(JRC) |
| TAMP1 | 210-10090-001-0 | TMP/SW US-602SXRFC |
| R24.24A.64.64A.70.70A | 000-10026-400-0 | CF RES. 10 J 0.25W T |

| Ref. | Phonic Part No. | Specifications |
|--------------------------------------------------|------------------------|----------------------------|
| R22 | 000-10126-400-0 | CF RES. 100 J 0.25W T |
| R32.32A.36.36A.57.57A.7 3.73A.34.34A | 000-10226-400-0 | CF RES. 1K J 0.25W T |
| R4(R1.2□)25.25A.28.28A.63. 63A.955.955A. | 000-10326-400-0 | CF RES. 10K J 0.25W T |
| R33.33A.37.37A | 000-15126-400-0 | CF RES. 150 J 0.25W T |
| R957.957A | 000-15226-400-0 | CF RES. 1K5 J 0.25W T |
| R58.58A.68.68A | 000-18326-400-0 | CF RES. 18K J 0.25W T |
| R42.42A.50.50A | 000-20226-400-0 | CF RES. 2K J 0.25W T |
| R8 | 000-20326-400-0 | CF RES. 20K J 0.25W T |
| R6.7 | 000-22026-400-0 | CF RES. 22 J 0.25W T |
| R21.41.41A.52.52A | 000-22226-400-0 | CF RES. 2K2 J 0.25W T |
| R17.18.19 | 000-22426-400-0 | CF RES. 220K J 0.25W T |
| R45.45A.47.47A | 000-24326-400-0 | CF RES. 24K J 0.25W T |
| R61.61A | 000-27426-400-0 | CF RES. 270K J 0.25W T |
| R43.43A.48.48A | 000-30226-400-0 | CF RES. 3K J 0.25W T |
| R69.69A.959.959A | 000-30326-400-0 | CF RES. 30K J 0.25W T |
| R644.644A | 000-30426-400-0 | CF RES. 300K J 0.25W T |
| R65.65A.645.645A | 000-33126-400-0 | CF RES. 330 J 0.25W T |
| R31.31A | 000-39026-400-0 | CF RES. 39 J 0.25W T |
| R11.12.14.15.26.26A.27.2 7A.66.66A.633.633A | 000-39226-400-0 | CF RES. 3K9 J 0.25W T |
| R29.29A.30.30A | 000-39426-400-0 | CF RES. 390K J 0.25W T |
| R958.958A | 000-47326-400-0 | CF RES. 47K J 0.25W T |
| R55.55A | 000-51026-400-0 | CF RES. 51 J 0.25W T |
| R5 | 000-51226-400-0 | CF RES. 5K1 J 0.25W T |
| R35.35A | 000-68126-400-0 | CF RES. 680 J 0.25W T |
| R13.16.23.956.956A | 000-68226-400-0 | CF RES. 6K8 J 0.25W T |
| R20 | 000-68326-400-0 | CF RES. 68K J 0.25W T |
| R71.71A | 006-30012-440-0 | MF RES. 3K F 0.25W T |
| R40.40A.53.53A | 006-33082-440-0 | MF RES. 3.3 F 0.25W T |
| R72.72A | 006-75022-420-0 | MF RES. 75K F 0.25W T |
| C7-10.30.30A.1003.1004 | 030-10636-0A0-0 | E/C 10MF M 25V 5*11 T |
| C12.13.39.39A.43.43A | 030-10728-0A0-0 | E/C 100MF Z 16V 6*11 T |
| C21.21A.22.22A | 030-10736-0A0-0 | E/C 100MF M 25V 8*11 T |
| C15.24.24A | 030-22728-0A0-0 | E/C 220MF Z 16V 8*11 T |
| CF2 | 030-47656-0A0-0 | E/C 47MF M 50V 8*11 T |
| C19.19A | 032-10636-0A0-0 | NP E/C 10MF M 25V 6.3*11 T |
| C46.46A | 042-03020-000-0 | C/C2 3PF C 50V 5 |

| Ref. | Phonic Part No. | Specifications |
|---------------------------------------------------------------|------------------------|---------------------------------|
| C970.970A | 042-101A6-050-0 | C/C2 100PF J 50V T |
| C25.27.25A.27A.37.37A.4 4.44A | 042-101A6-050-0 | C/C2 100PF M 250V 5 T |
| C49.49A.1005.1006 | 042-10425-050-0 | C/C2 0.1MF K 50V 5 T |
| C20.20A | 042-18044-050-0 | C/C2 18PF J 100V 5 T |
| C48.48A | 042-201A5-050-0 | C/C2 200PF K 250V |
| C969.969A | 042-33124-050-0 | C/C2 330PF J 50V T |
| C32.32A.35.35A | 042-33185-000-0 | C/C2 330PF K 500V P |
| C14 | 042-47124-050-0 | C/C2 470PF J 50V 5 T |
| C38.38A | 042-47164-050-0 | C/C2 470PF J 350V 5 T |
| C101A.102A.1001.1002 | 042-56024-050-0 | C/C2 56PF J 50V 5 T |
| C26.26A.33.33A.34.34A.9 71.972 | 046-10304-060-0 | M/C 0.01MF J 50V 5 T |
| C36.36A.42.42A.47.47A.3 1.31A.388.388A.389.389A | 046-10414-060-0 | M/C 0.1MF J 100V 5 T |
| C41.41A | 046-68314-060-0 | M/C 0.068MF J 100V T |
| ZD10.10A | 090-01153-010-0 | Z/DIODE 15V K 0.5W UNIZON |
| ZD7.7A.8.8A.4 | 090-01682-000-0 | ZEN/DIODE 6.8V J0.5W UNIZO |
| ZD100.101.100A.101A | 090-01752-010-0 | ZEN/DIODE 7V5 K 0.5W FAIRCH |
| D21.21A.23.23A.14.14A.1 2.12A.13.13A.15.15A.19.1 9A.6-9 | 090-02000-020-0 | DIODE 1N4148 T26MM MINI |
| Q4.5.10.11 | 120-00000-800-0 | TRN 2SC1815 GR TO-92-D REEL(TO) |
| TR6.6A | 120-00001-010-0 | TRN 2SC2240 TO-92-D REEL(TO) |
| TR1.1A.Q155.155A | 120-00001-400-0 | TRN 2N5551 TO-92-D (TO/FA/ON) |
| Q6 | 121-00000-200-0 | TRP 2SA1015GR TO-92-D REEL(TO) |
| TR2.2A.Q7.8.9.7A.8A.9A | 121-00000-300-0 | TRP 2N5401 TO-92-D REEL(ON/FA) |
| TR7.7A | 121-00000-500-0 | TRP 2SA970-BL TO-92-D REEL (TO) |
| | 290-60740-701-0 | POD740 PWR-AMP PCB |

POWER REQUIREMENT CLASSIFICATION

| Ref. | Phonic Part No. | Specifications |
|---------------|------------------------|--------------------------------|
| IEC | | |
| FS902.903.904 | 280-2026B-000-0 | FUSE 2A 250V UL/CSA/JIS S |
| FS905 | 280-3E216-001-0 | FUSE 3.15A/250V S BEL5ST3.15 |
| | 280-63267-000-0 | FUSE TSD6.3A 250V VDE/UL/CSSES |
| | 370-15010-921-0 | P/CORD IEC 10A 6F 3P VDE |
| UL | | |
| FS902.903.904 | 280-2026B-000-0 | FUSE 2A 250V UL/CSA/JIS S |
| FS905 | 280-3E216-001-0 | FUSE 3.15A/250V S BEL5ST3.15 |
| | 280-63267-000-0 | FUSE TSD6.3A 250V VDE/UL/CSSES |
| | 370-08010-721-0 | P/CORD 120V 10A 6F 3PUL/CSA |
| SA | | |
| FS902.903.904 | 280-2026B-000-0 | FUSE 2A 250V UL/CSA/JIS S |
| FS905 | 280-3E216-001-0 | FUSE 3.15A/250V S BEL5ST3.15 |
| | 280-63267-000-0 | FUSE TSD6.3A 250V VDE/UL/CSSES |
| | 370-06010-321-6 | P/CORD 10A/250V SA 2.5M 3P |
| SAA | | |
| FS902.903.904 | 280-2026B-000-0 | FUSE 2A 250V UL/CSA/JIS S |
| FS905 | 280-3E216-001-0 | FUSE 3.15A/250V S BEL5ST3.15 |
| | 280-63267-000-0 | FUSE TSD6.3A 250V VDE/UL/CSSES |
| | 370-11010-821-0 | P/CORD 240V10A 6F 3P SAA SVT |
| JIS | | |
| FS902.903.904 | 280-2026B-000-0 | FUSE 2A 250V UL/CSA/JIS S |
| FS905 | 280-3E216-001-0 | FUSE 3.15A/250V S BEL5ST3.15 |
| | 280-63267-000-0 | FUSE TSD6.3A 250V VDE/UL/CSSES |
| | 370-16510-629-0 | P/CORD 7A 125V 2P 6F JIS |
| BS | | |
| FS902.903.904 | 280-2026B-000-0 | FUSE 2A 250V UL/CSA/JIS S |
| FS905 | 280-3E216-001-0 | FUSE 3.15A/250V S BEL5ST3.15 |
| | 280-63267-000-0 | FUSE TSD6.3A 250V VDE/UL/CSSES |
| | 370-01010-921-0 | P/CORD 240V 10A 6F 3P |

AMP PCB-PART LIST

| Ref. | Phonic Part No. | Specifications |
|-------------|------------------------|-------------------------------------|
| JK1-5 | 211-01601-300-0 | 6D3/J M203A-2 |
| CN1 | 212-10041-057-0 | 4P WAFER/P 300MM UL1015#18 P=3.96mm |
| | 290-60740-800-0 | POD740 DELUXE OUTPUT PCB |

POWER PCB-PART LIST

| Ref. | Phonic Part No. | Specifications |
|----------------------------------|------------------------|---------------------------------|
| R919.920 | 003-10093-602-0 | CEMEN RE. 0.1 J 5W |
| R940 | 003-15073-602-0 | CEMENT RES. 15 J 5W |
| R912.928 | 003-20023-602-0 | CEMENT RES. 20K J 5W |
| R907 | 006-10012-440-0 | MF RES. 1K F 0.25W T |
| R930.937 | 006-10023-440-0 | MF RES. 10K F 0.5W T |
| R933.935 | 006-15023-420-0 | MF RES. 15K F 0.5W M |
| R926 | 006-15074-440-0 | MF RES. 15 F 1W T |
| R906.910 | 006-33072-440-0 | MF RES. 33 F 0.25W T |
| PT903 | 011-22010-000-0 | PTC PTMS2331RP416B16 |
| PT901 | 011-22010-010-0 | PTC PTMS2331RP730B34 |
| PT902 | 011-22010-020-0 | PTC PTL52101RP816B |
| NTCS1 | 012-10020-010-0 | NTC THER. N20SP010L |
| C921 | 030-10846-000-0 | E/C 1000MF M 35V 10*21 T |
| C915.918 | 030-188C6-000-0 | E/C 1800UF 200V P |
| C923.924.928.929.930-936.938.939 | 030-47758-001-0 | E/C 470MF Z 50V 13*21 P |
| R921 | 042-10144-050-0 | C/C2 100PF J 100V 5T |
| C946 | 042-222A5-050-0 | C/C2 0.0022UF 250V K |
| C909 | 051-104C5-000-0 | MP/C 0.1MF K 63V T(ESK063P10JA) |
| C922 | 051-10545-000-0 | MP/C 1MF K 400V PMM |
| C941.945 | 051-22435-000-0 | MP/C 0.22UF K 250V |
| C901.904.905.925.926 | 058-10226-000-0 | LINE/C 0.001UF M 250V Y2 |
| C902.903 | 058-22485-000-0 | LINE/C 0.22MF K 275V |
| C943 | 058-47236-001-0 | LINE/C 0.0047MF M 400V |
| T904 | 070-2086B-800-0 | X'MER 115/230V K-12 |
| T903 | 070-2087B-800-0 | X'MER |
| T901.902 | 072-20121-000-0 | CHOCK COIL TF5104 |
| L901-913 | 072-20138-000-0 | BEAD COIL 1119 |
| K901 | 076-02411-020-0 | RELAY SDT-S-124DMR OEG |
| D930 | 090-00003-000-0 | DIODE 1N4007 SILITEK |
| D902 | 090-00026-000-0 | DIODE HER107 (1A/800V) |
| D901.906 | 090-00007-020-0 | DIODE 1N4004 SILTEK T |
| D916.918 | 090-00030-000-0 | DIODE H16C40C MOSPEC |
| D903.909.921.923-927.929.932 | 090-00031-000-0 | DIODE HER103 |
| D920.922 | 090-00032-000-0 | DIODE H16C40A MOSPEC |
| D905.911 | 090-00037-000-0 | DIODE HER308 |
| D913 | 090-10017-000-0 | B/DIODE KBJ2506 |
| Q901.904 | 120-00010-600-0 | TRAN. 2SC2655Y TOSHIBA |
| Q913 | 120-00012-800-0 | TRAN. 2SD2012 TOSHIBA |

| Ref. | Phonic Part No. | Specifications |
|------------------|------------------------|--------------------------------------------|
| Q903.907 | 121-00008-400-0 | TRAN. 2SA1020Y TOSHIBA |
| Q902.905 | 122-00002-700-0 | MOSFET IRG4PC50W IR |
| U902 | 160-00005-909-0 | IC ST7815 TO-220-D(ST) DIP |
| OC901 | 160-00010-501-0 | IC 4N35 LI |
| U901. | 160-00026-400-0 | IC IR2153D IR |
| SW902 | 210-01202-380-0 | SLD/SW RF-1002 RONG FENG |
| SW901 | 210-02101-030-0 | PSH/SW PA-03S-A1 |
| ZNR901 | 301-47100-000-0 | ZNR 470V |
| R945 | 006-10002-440-0 | MF RES. 100 F 0.25W T |
| R911 | 006-10012-440-0 | MF RES. 1K F 0.25W T |
| R944 | 006-10022-440-0 | MF RES. 10K F 0.25W T |
| R925 | 006-10042-440-0 | MF RES 1M F 0.25W |
| R913.918.934 | 006-10082-440-0 | MF RES. 1 F 0.25W T |
| R908.917.623 | 006-18022-440-0 | MF RES. 18K F 0.25W T |
| R941 | 006-20012-420-0 | MF RES. 2K F 0.25W T |
| R903 | 006-33012-440-0 | MF RES. 3K3 F 0.25W T |
| R904 | 006-33022-440-0 | MF RES. 33K F 0.25W T |
| R942 | 006-39012-420-0 | MF RES. 3K9 F 0.25W M |
| R922 | 006-39022-440-0 | MF RES. 39K F 0.25W T |
| R904 | 006-33072-440-0 | MF RES. 33 F 0.25W T |
| R901.902 | 006-39032-440-0 | MF RES. 390K F 0.25W T |
| R915 | 006-47022-440-0 | MF RES. 47K F 0.25W T |
| R909 | 006-51012-440-0 | MF RES 5K1 F 0.25W T |
| R946.948 | 006-56012-440-0 | MF RES. 5K6 F 0.25W T |
| R916.924 | 006-68012-440-0 | MF RES. 6K8 F 0.25W T |
| R947 | 006-82002-440-0 | MF RES. 820 F 0.25W T |
| C906.910.917 | 030-10638-0A0-0 | E/C 10MF Z 25V 5*11 T |
| C942 | 030-10656-2A0-0 | E/C 10MF M 50V 5*11T |
| C947 | 030-10736-0A0-0 | E/C 100MF M 25V 8*11 T |
| C913 | 030-22638-0A0-0 | E/C 22MF Z 25V 5*11 T |
| C927 | 030-47558-0A0-0 | E/C 4.7MF Z 50V 5*11 T |
| C940.937 | 030-47586-200-0 | E/C 4.7MF M 100V 5*11 P |
| C908 | 051-102C4-000-0 | MP/C 0.001MF J 63V P |
| C911 | 051-103C5-000-0 | MP/C 0.01MF K 63V T (ESK063S10JA) |
| C907.912.914.944 | 051-104C5-000-0 | MP/C 0.1MF K 63V T(ESK063P10JA) |
| C920 | 051-224C5-000-0 | MP/C 0.22MF K 63V T (ESK063P22JA) |
| D928 | 090-01123-000-0 | ZEN/DIODE 12V J 0.5W UNIZON POD/XP/ MAX |
| D919 | 090-01153-010-0 | Z/DIODE 15V K 0.5W UNIZON |
| D931 | 090-01622-000-0 | ZENER DIODE 6.2V J 0.5W T |
| Q910.914.915 | 090-02000-020-0 | DIODE 1N4148 T26MM MINI |

| Ref. | Phonic Part No. | Specifications |
|------------------|------------------------|---------------------------------|
| Q908.910.912.914 | 120-00000-800-0 | TRN 2SC1815 GR TO-92-D REEL(TO) |
| Q906.909 | 121-00000-200-0 | TRP 2SA1015GR TO-92-D REEL(TO) |
| | 290-01710-101-0 | POD740/1062 DELUXE POWER PCB |

PHONIC
WWW.PHONIC.COM