

POWERPOD 885 PLUS

Integrated Mobile Sound System

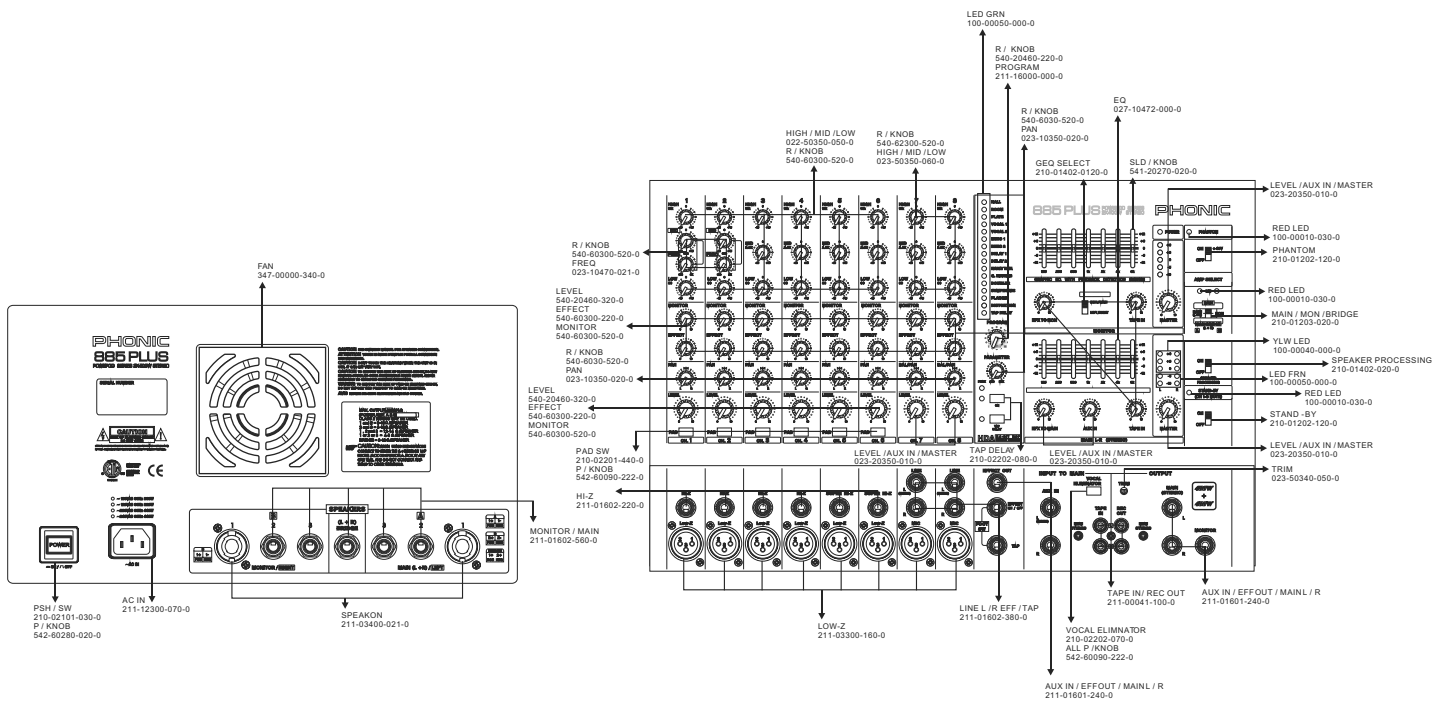
SERVICE MANUAL



POWERPOD 885 PLUS SERVICE MANUAL

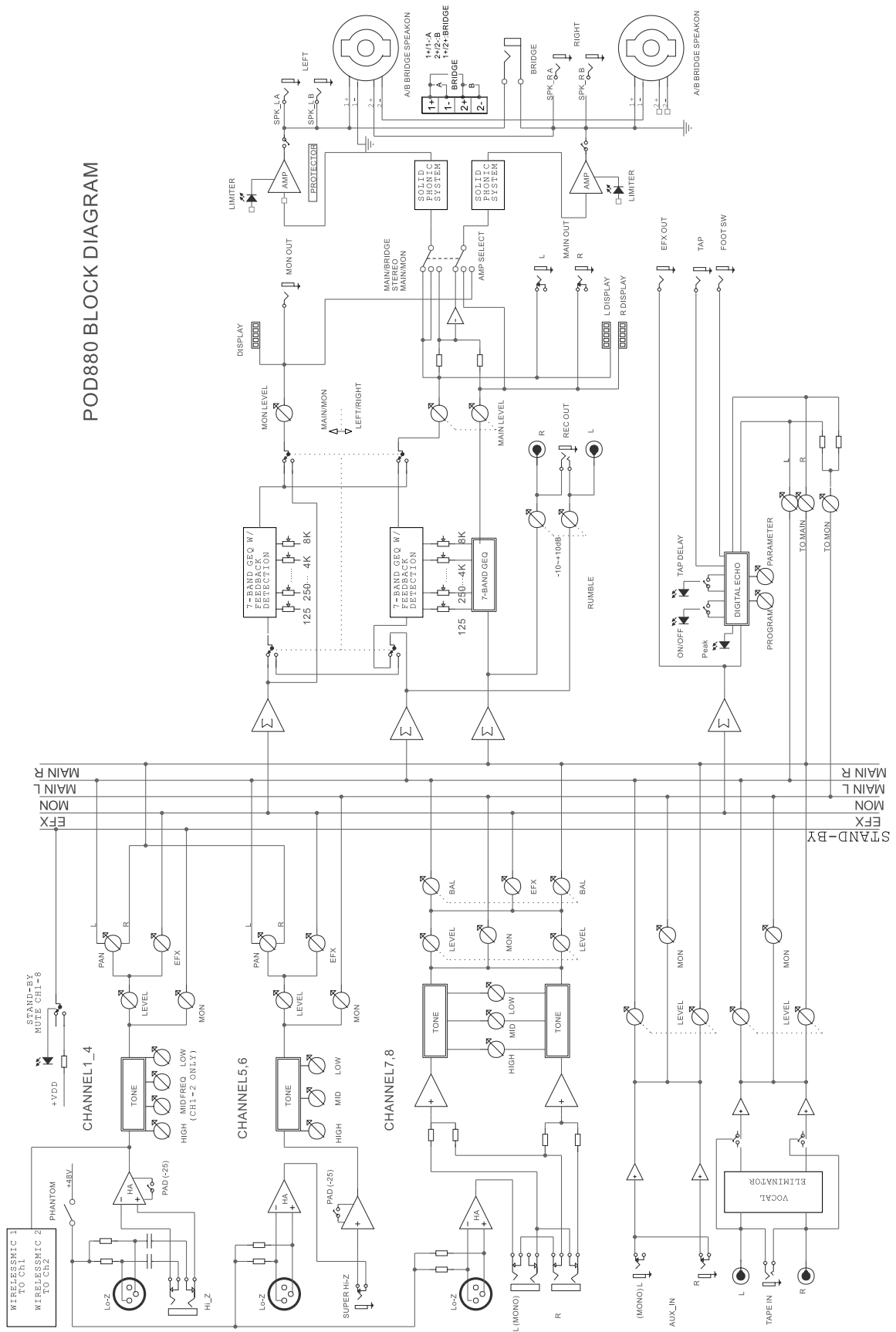
CONTENTS

	PAGE
PANEL LAYOUT.....	3
BLOCK.....	4
TAPE IN	5
SW POWER.....	6
SPEAKER ENHANCEMENT.....	7
POWER	8
OUT PUT	9
MON.....	10
MAIN.....	11
LIMIT.....	12
GEQ.....	13
GEQ 1.....	14
FB MON.....	15
FB MAIN.....	16
DSP.....	17
DSP CTL.....	18
DISPLAY.....	19
AUX IN.....	20
AC.....	21
AMP R	22
AMP L.....	23
CH 1.....	24
CH 2.....	25
CH 3.....	26
CH 4.....	27
CH 5.....	28
CH 6.....	29
CH 7.....	30
CH 8.....	31
 BOM	
MISCELLANEOUS ITEMS.....	32
DSP PCB-PART LIST	34
AC INPUT PCB-PART LIST	35
BACK PCB-PART LIST	36
POWER REQUIREMENT CLASSIFICATION	38
AMP PCB-PART LIST	44
POWER PCB-PART LIST	47
POWER REQUIREMENT CLASSIFICATION.....	49

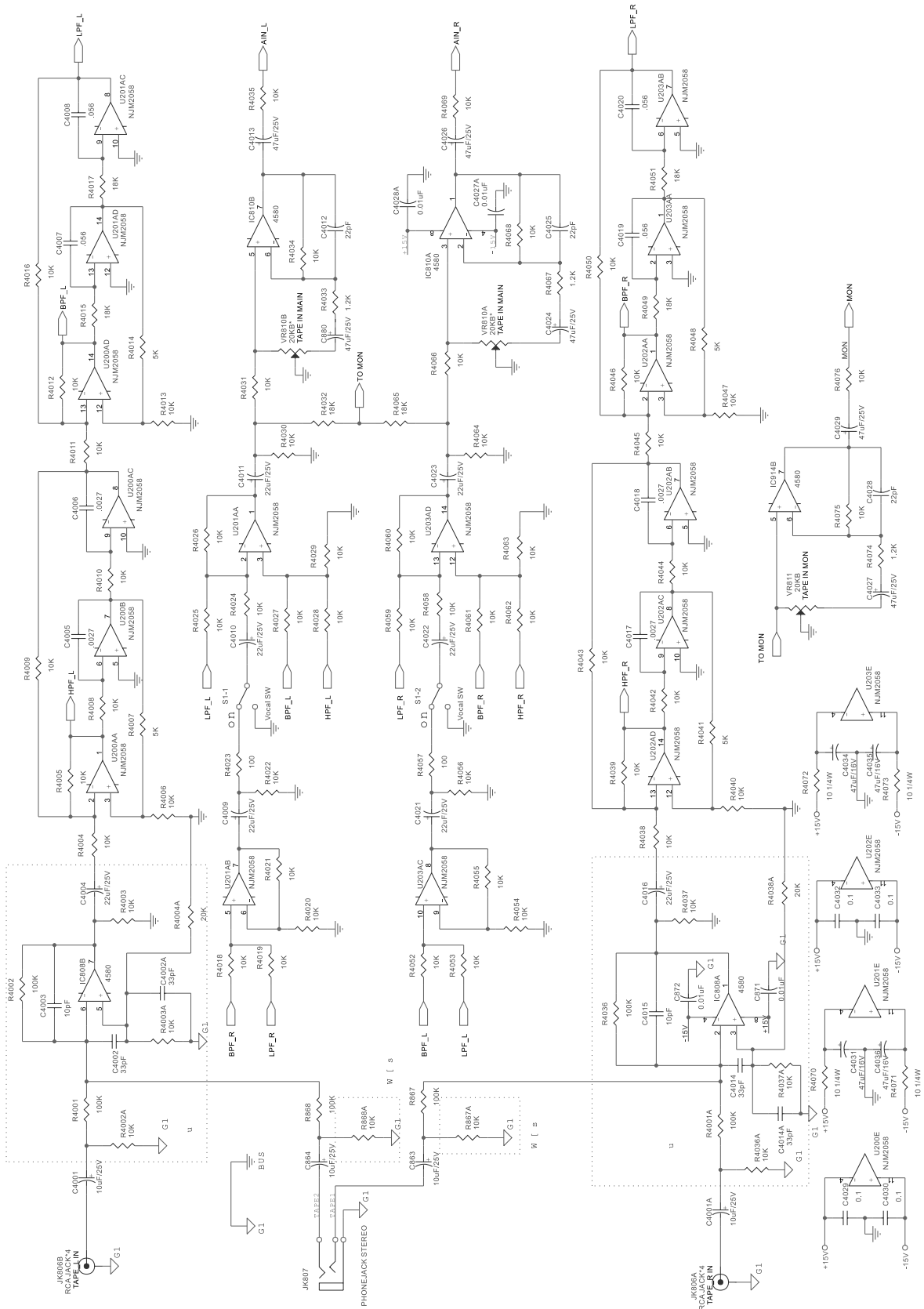


BLOCK

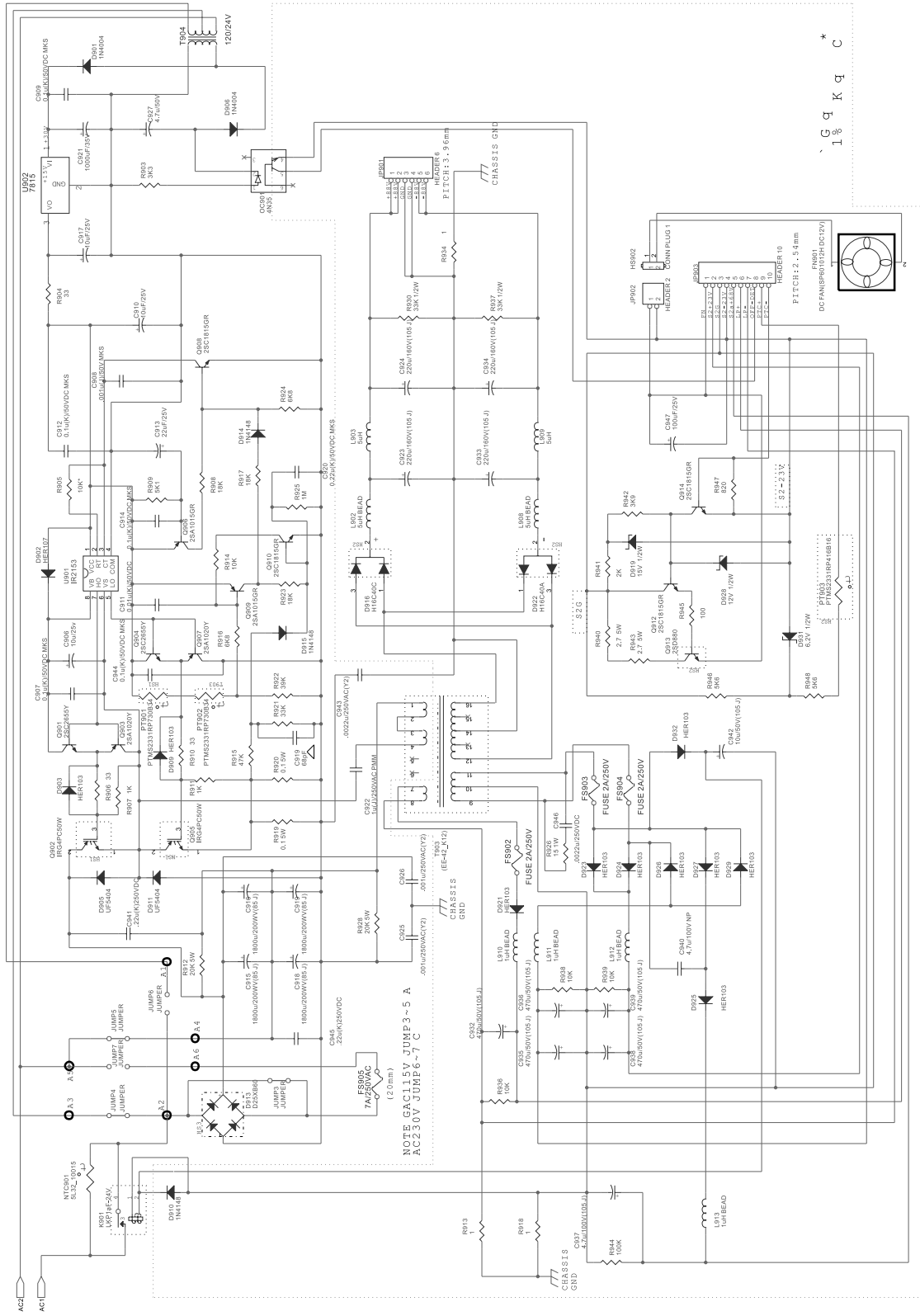
POD880 BLOCK DIAGRAM



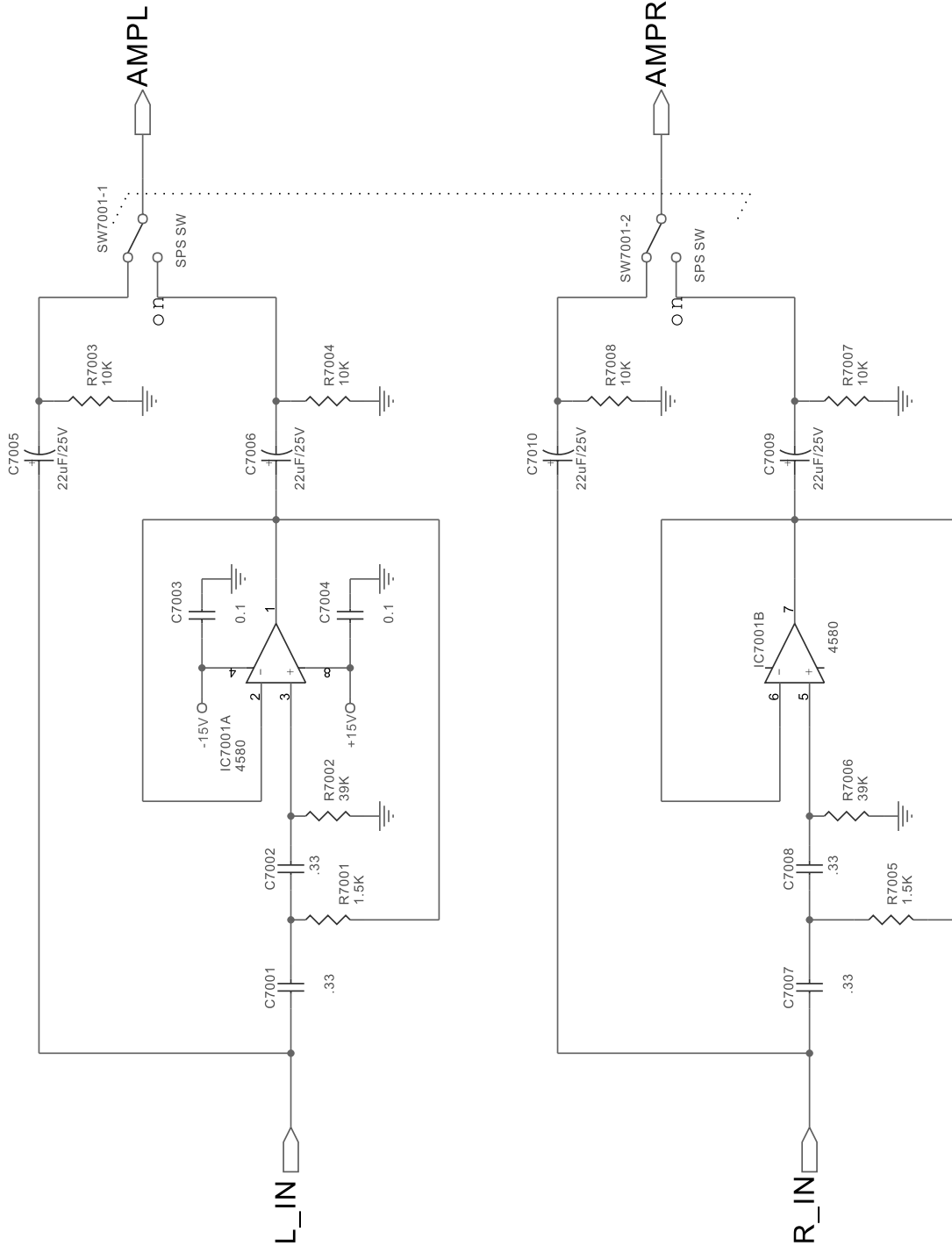
TAPE IN



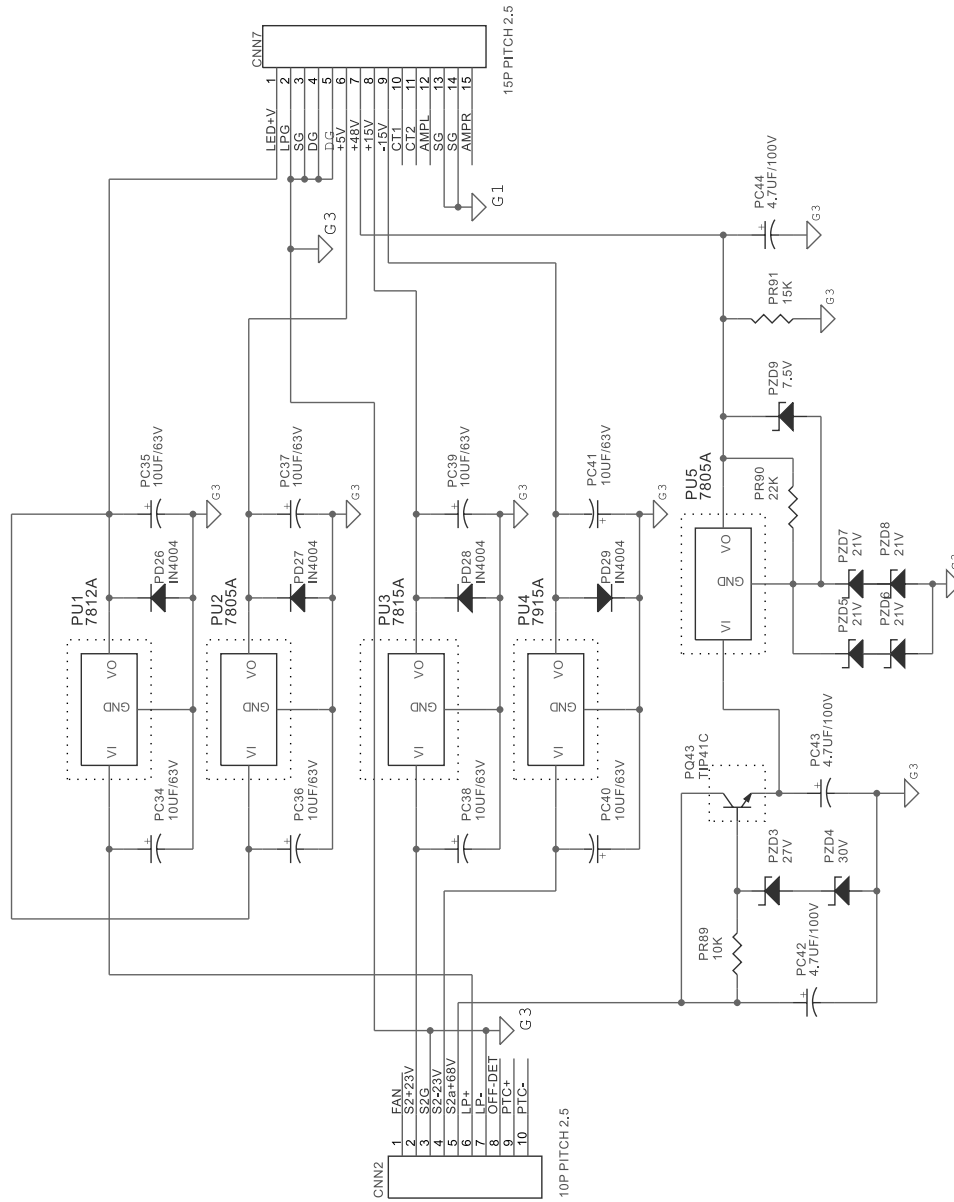
SW POWER



SPEAKER ENHANCEMENT

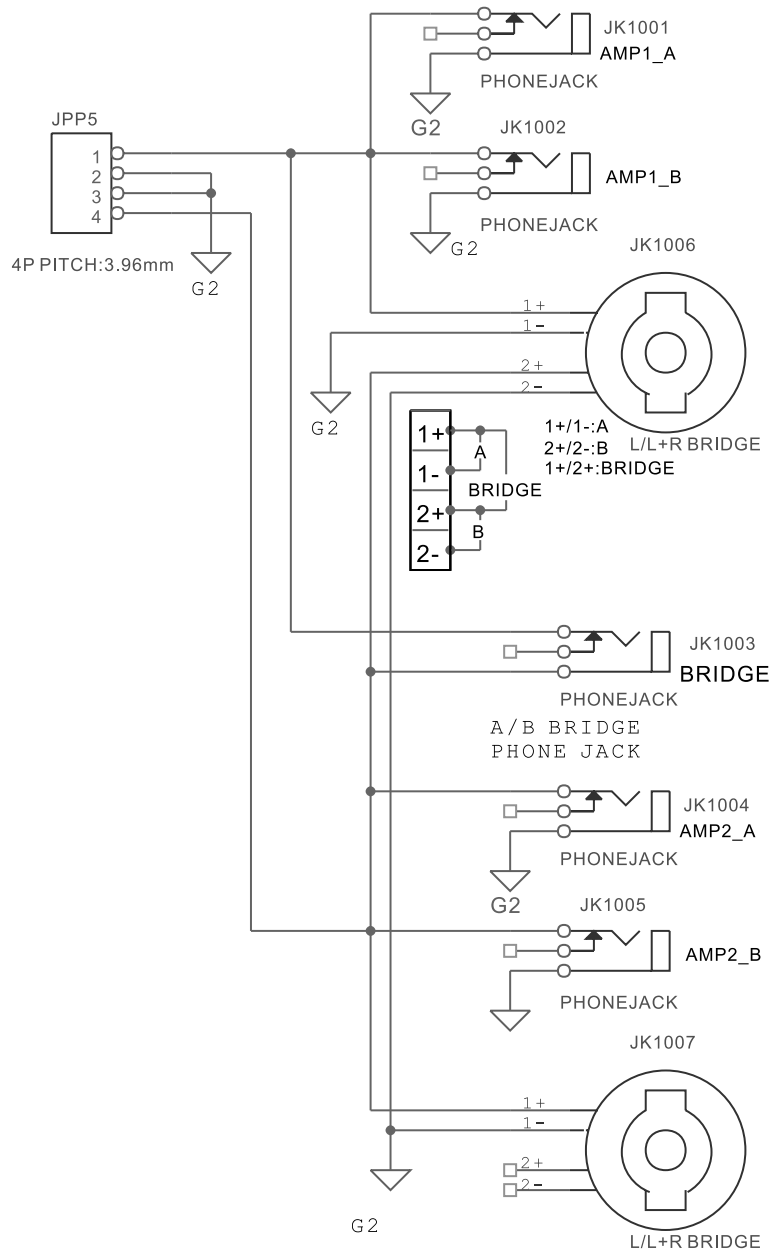


POWER

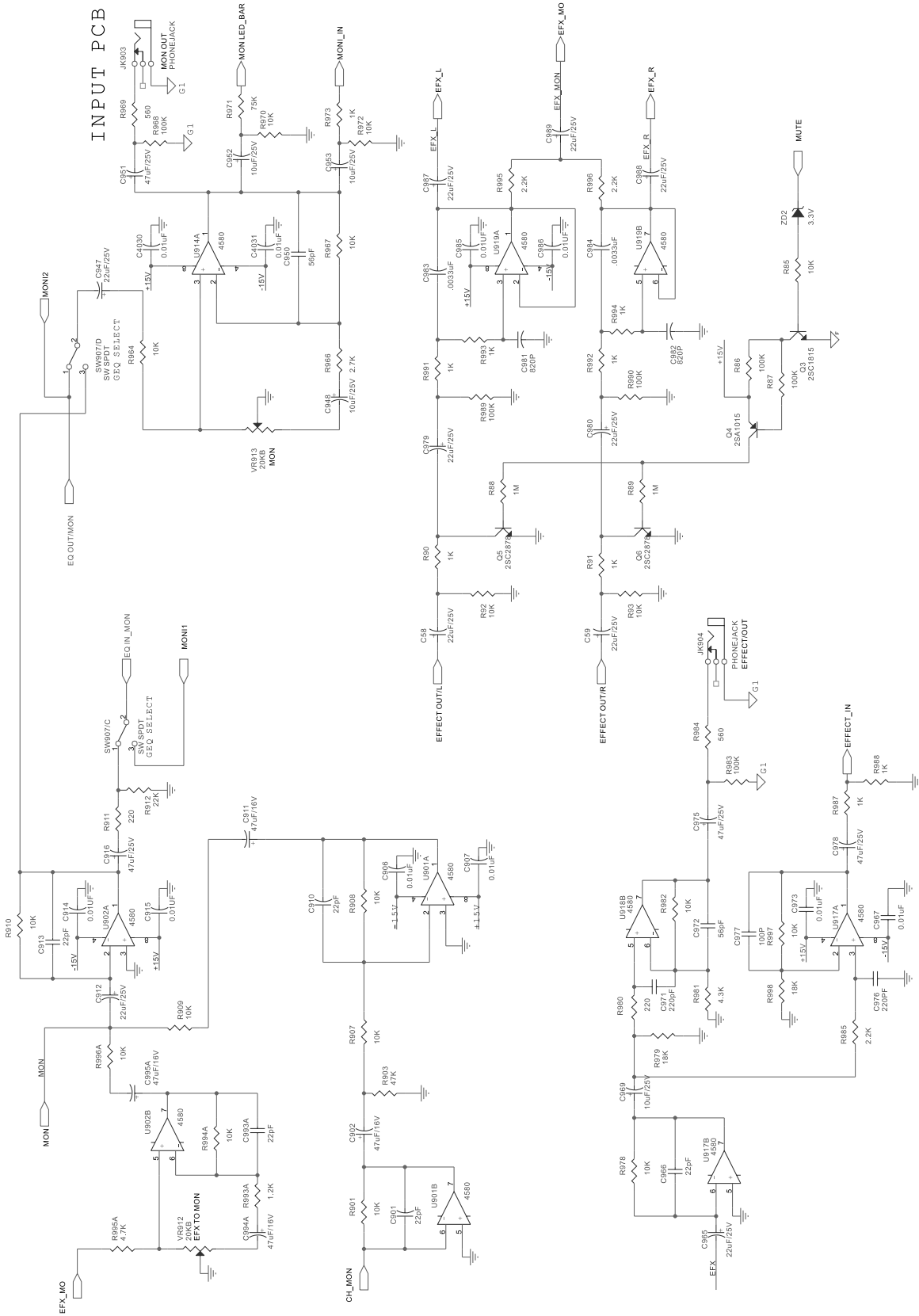


G U S T W b j W C

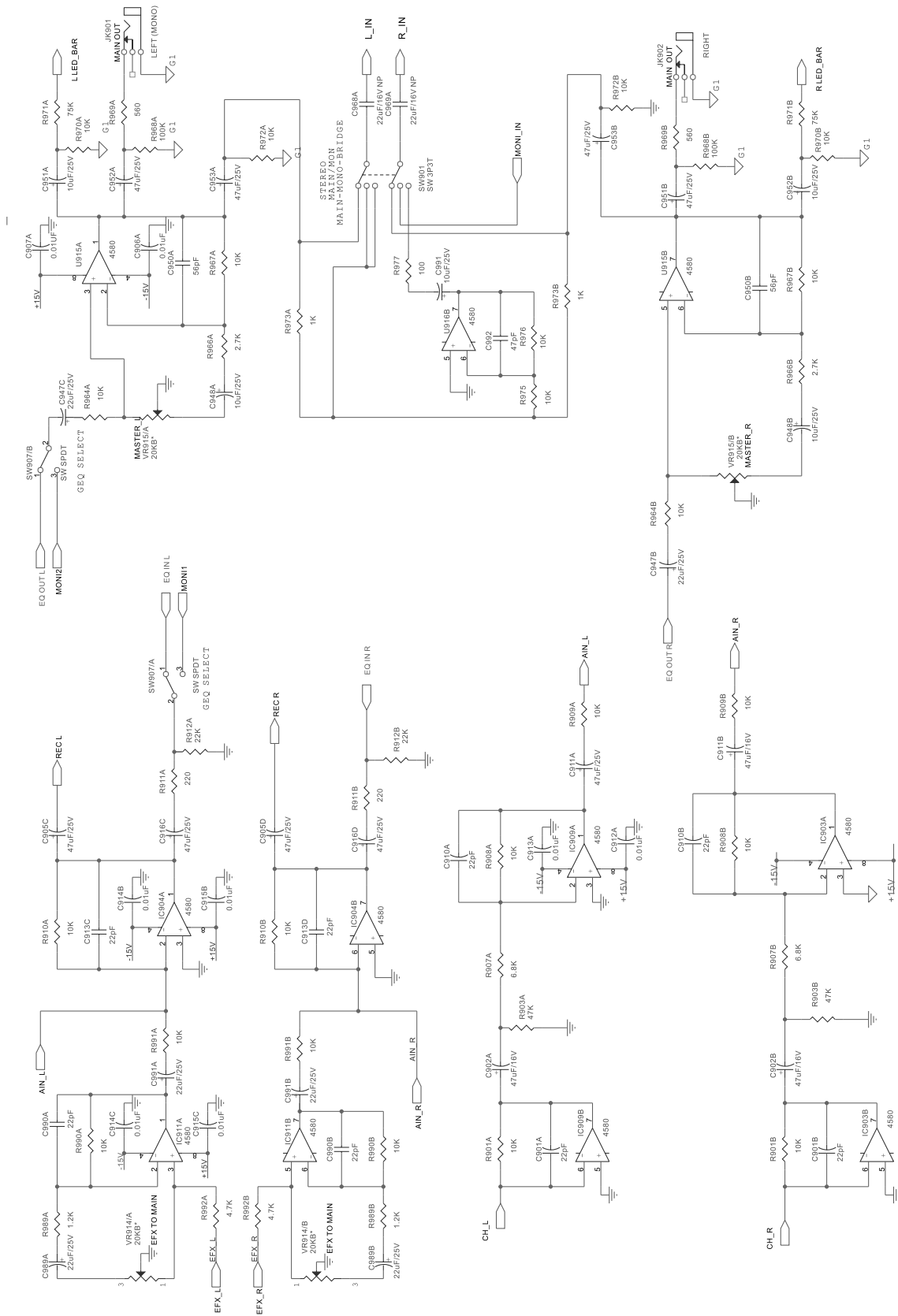
OUT PUT



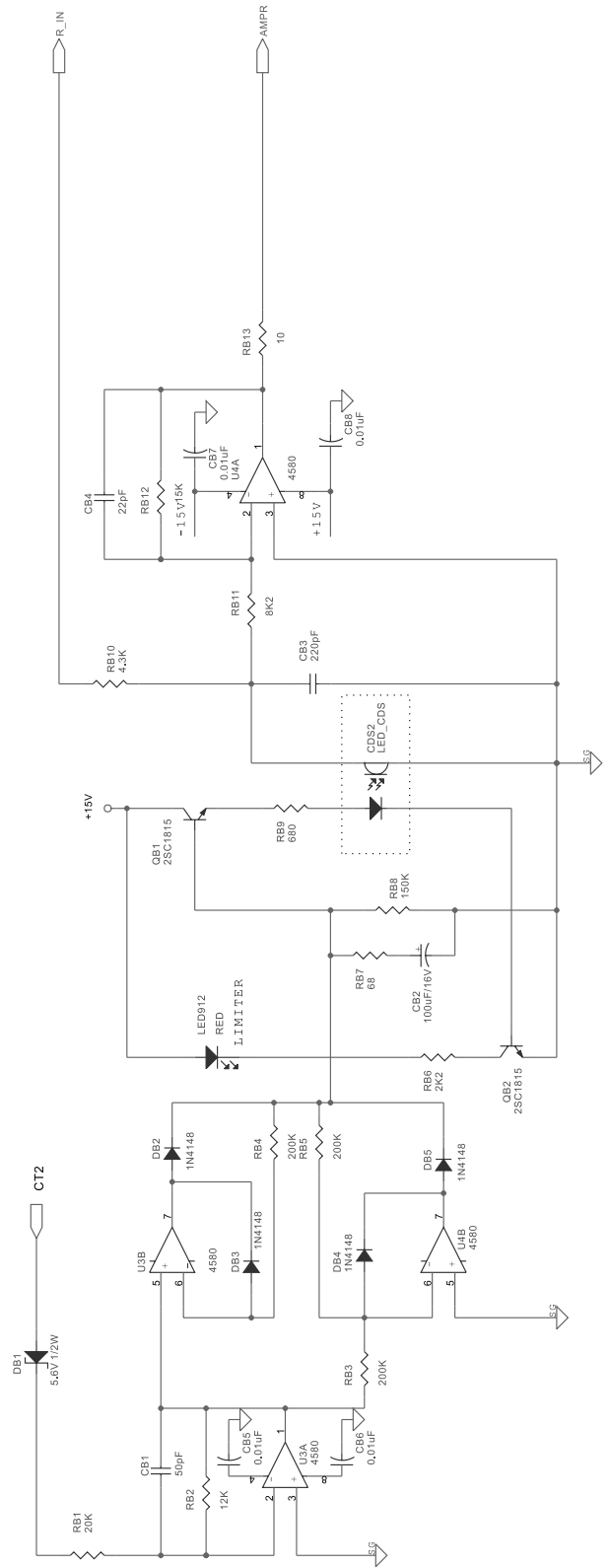
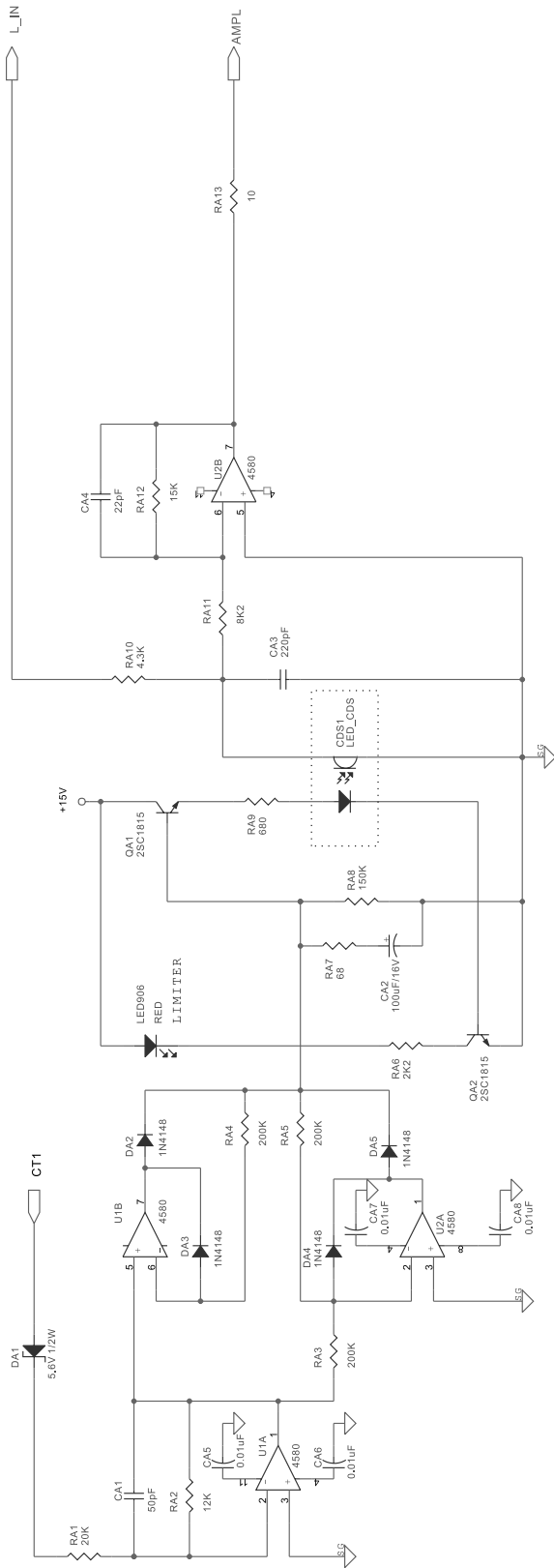
MON



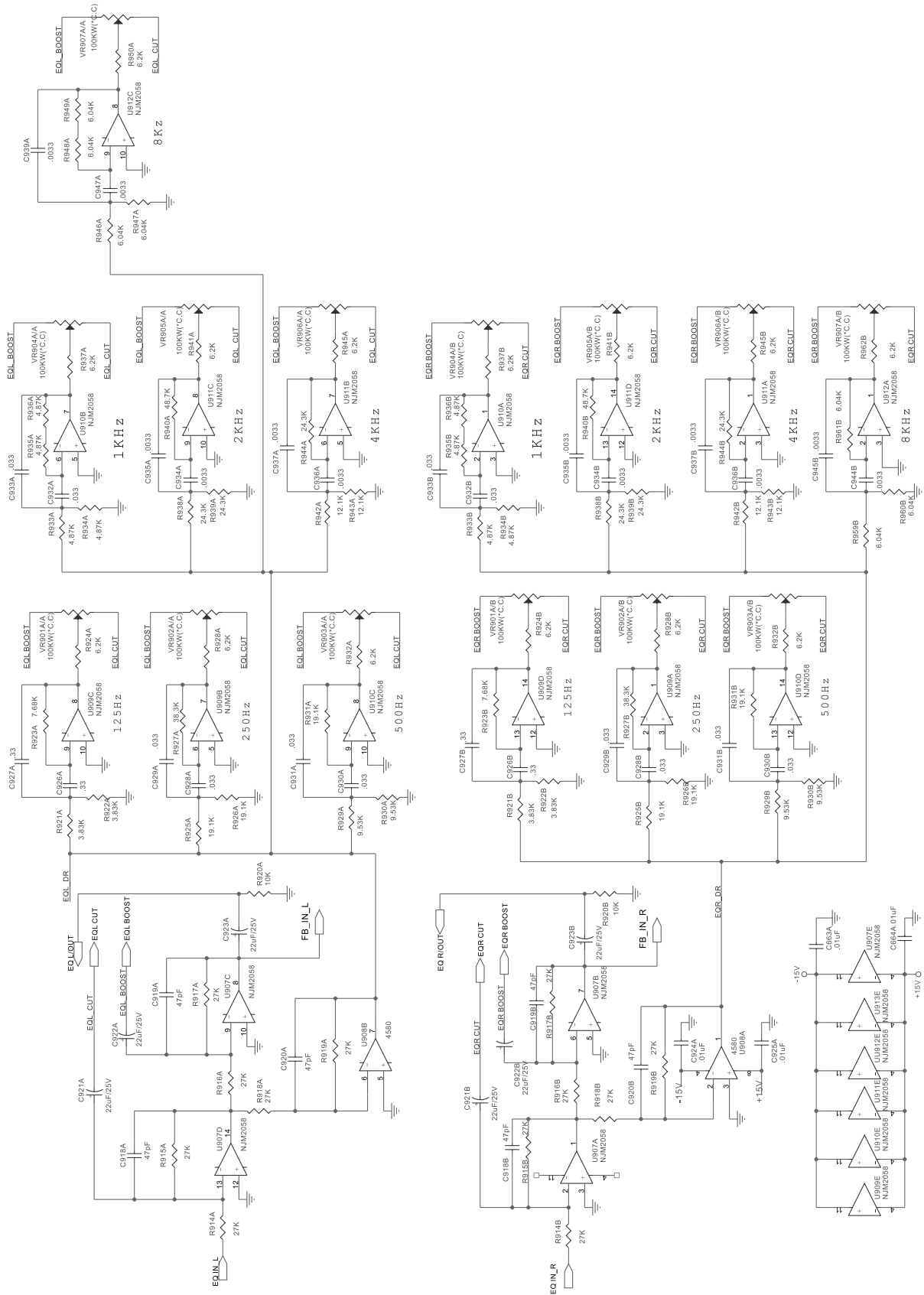
MAIN



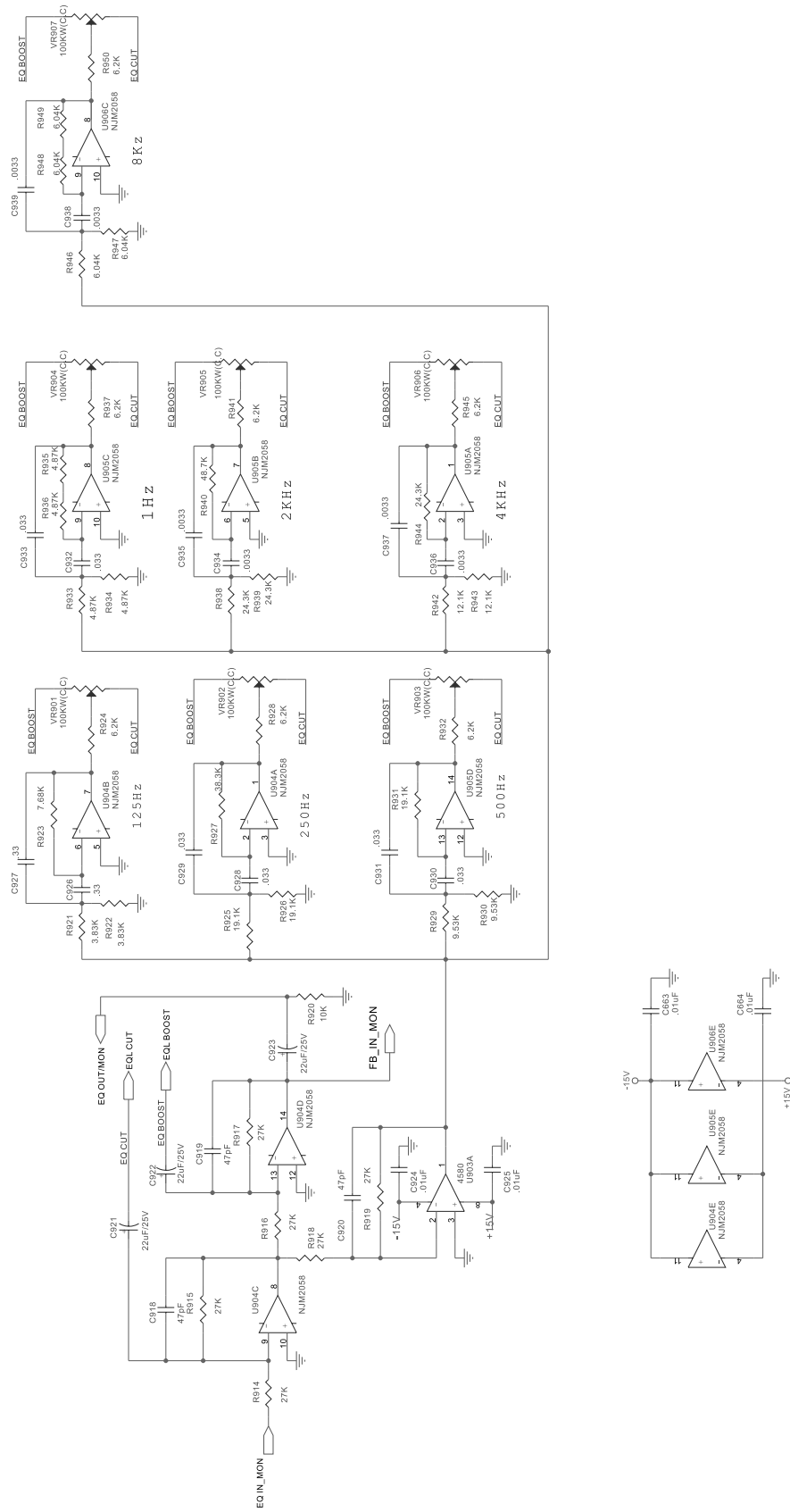
LIMIT



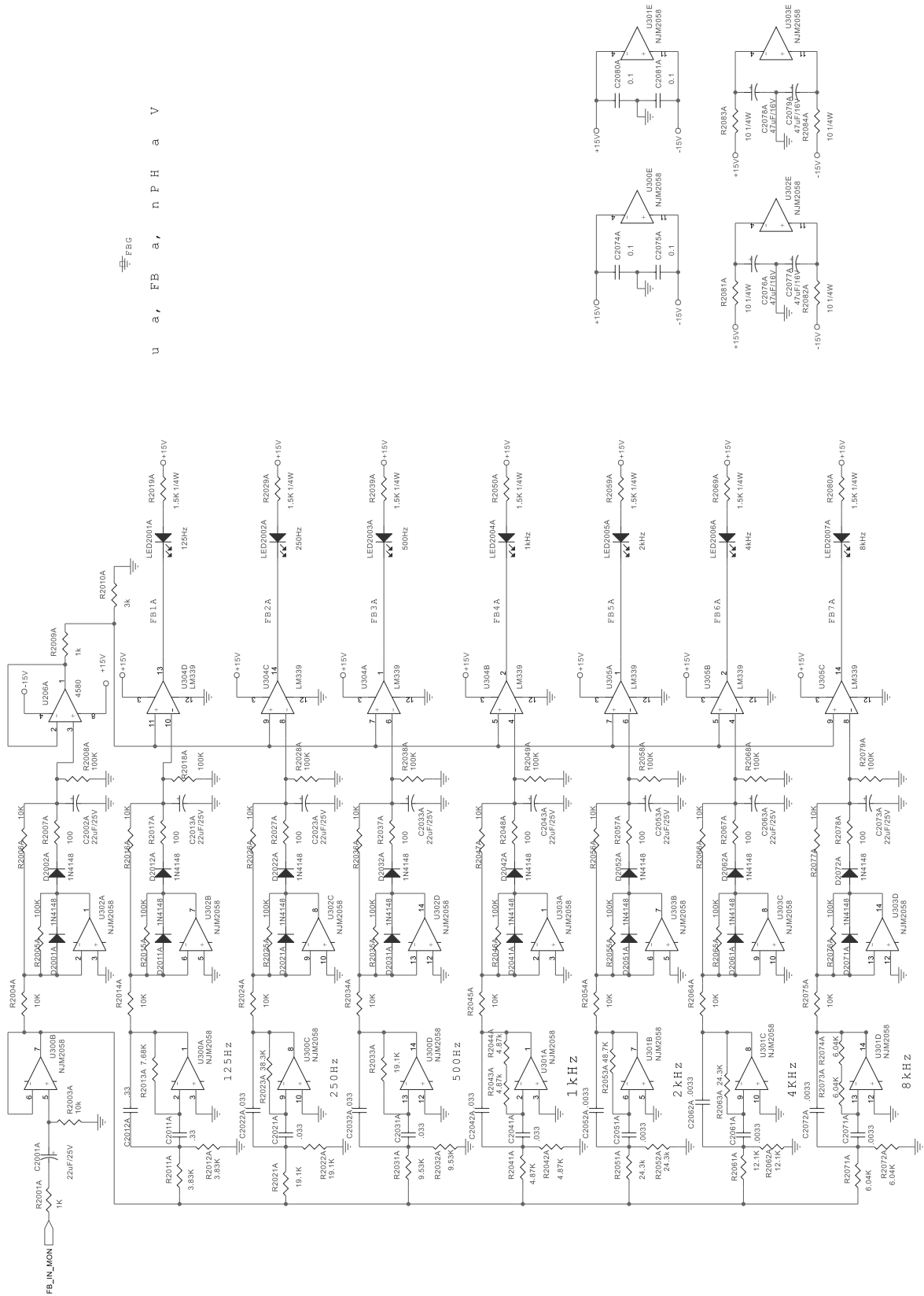
GEQ



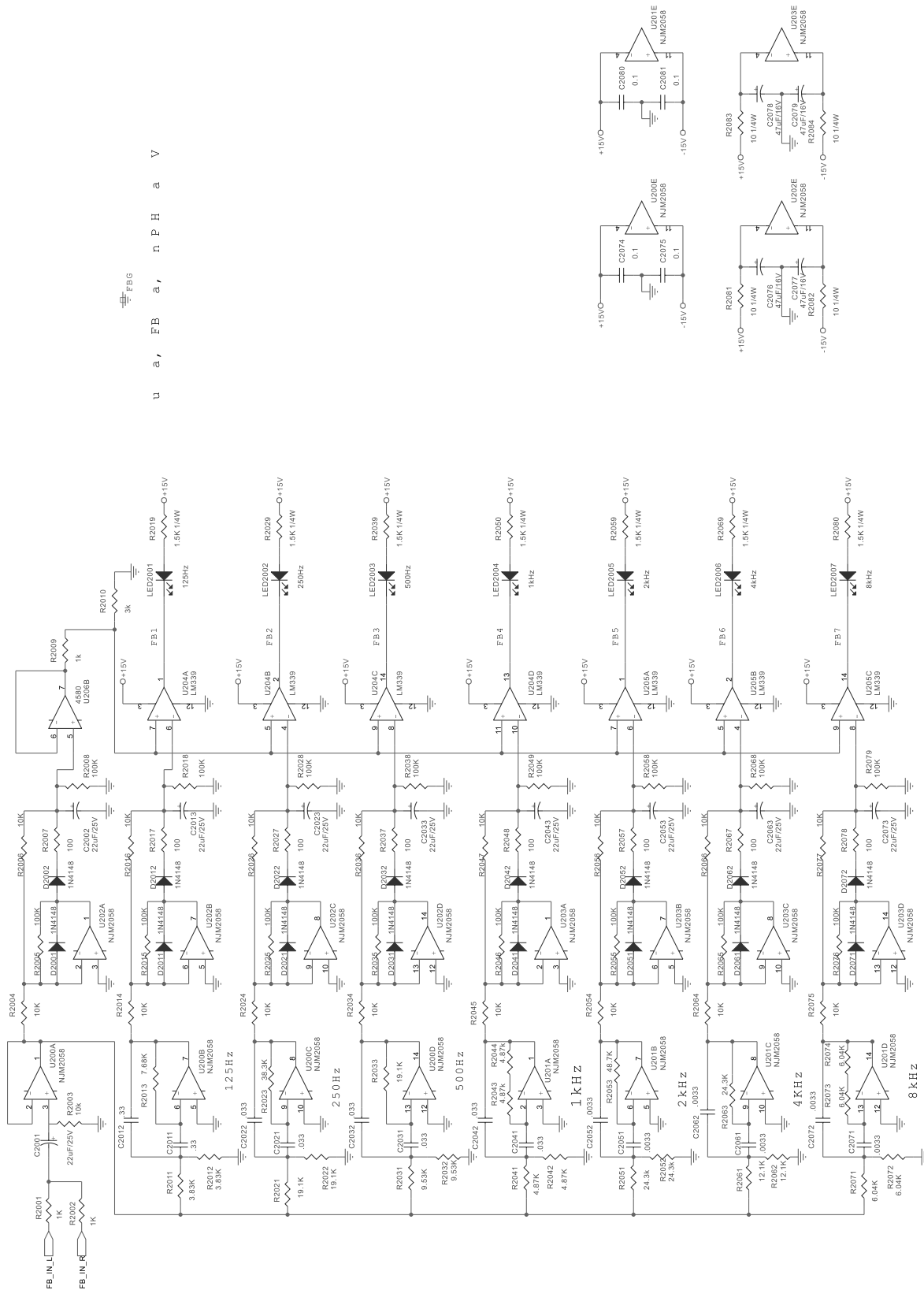
GEQ 1



FB MON



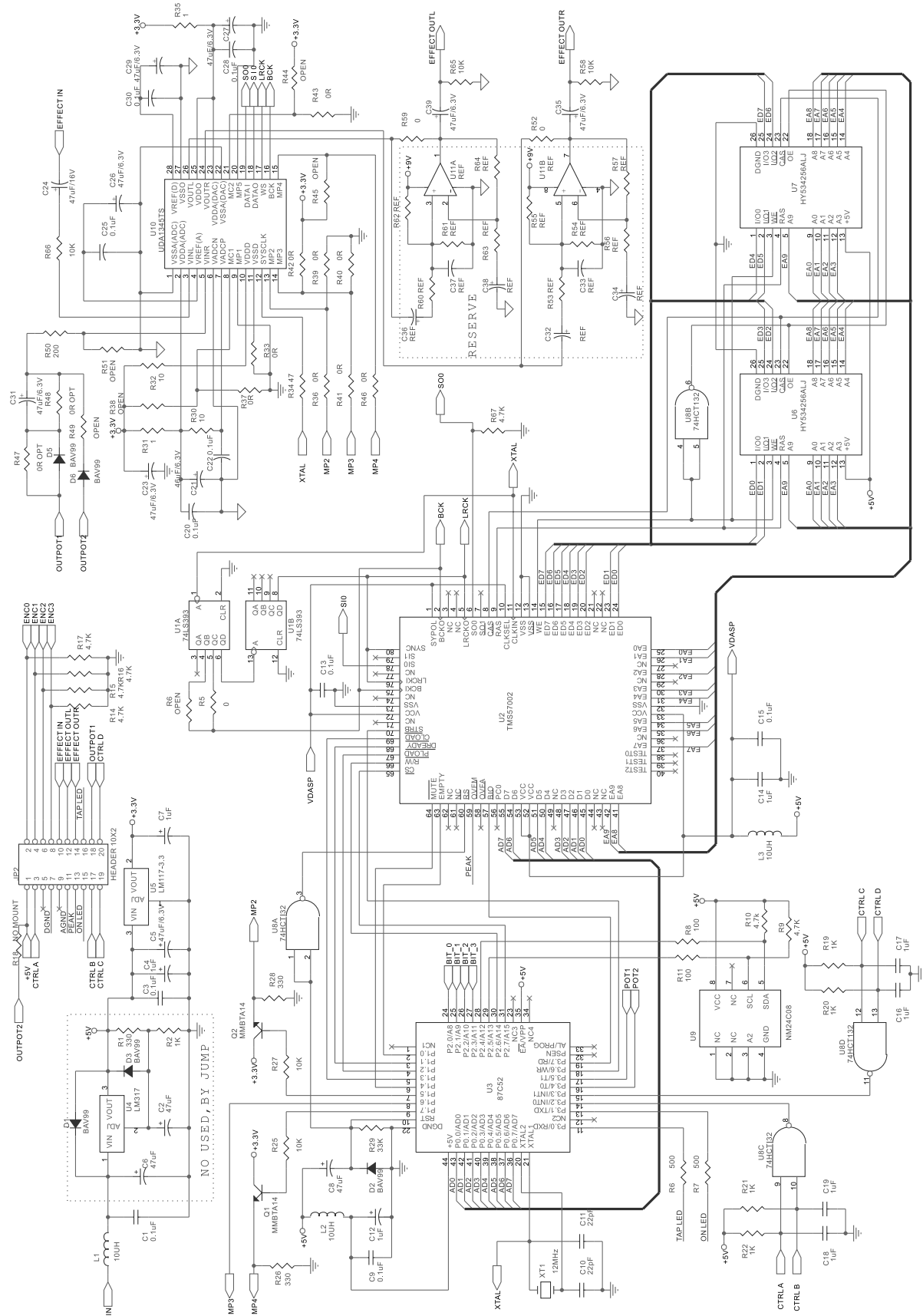
FB MAIN



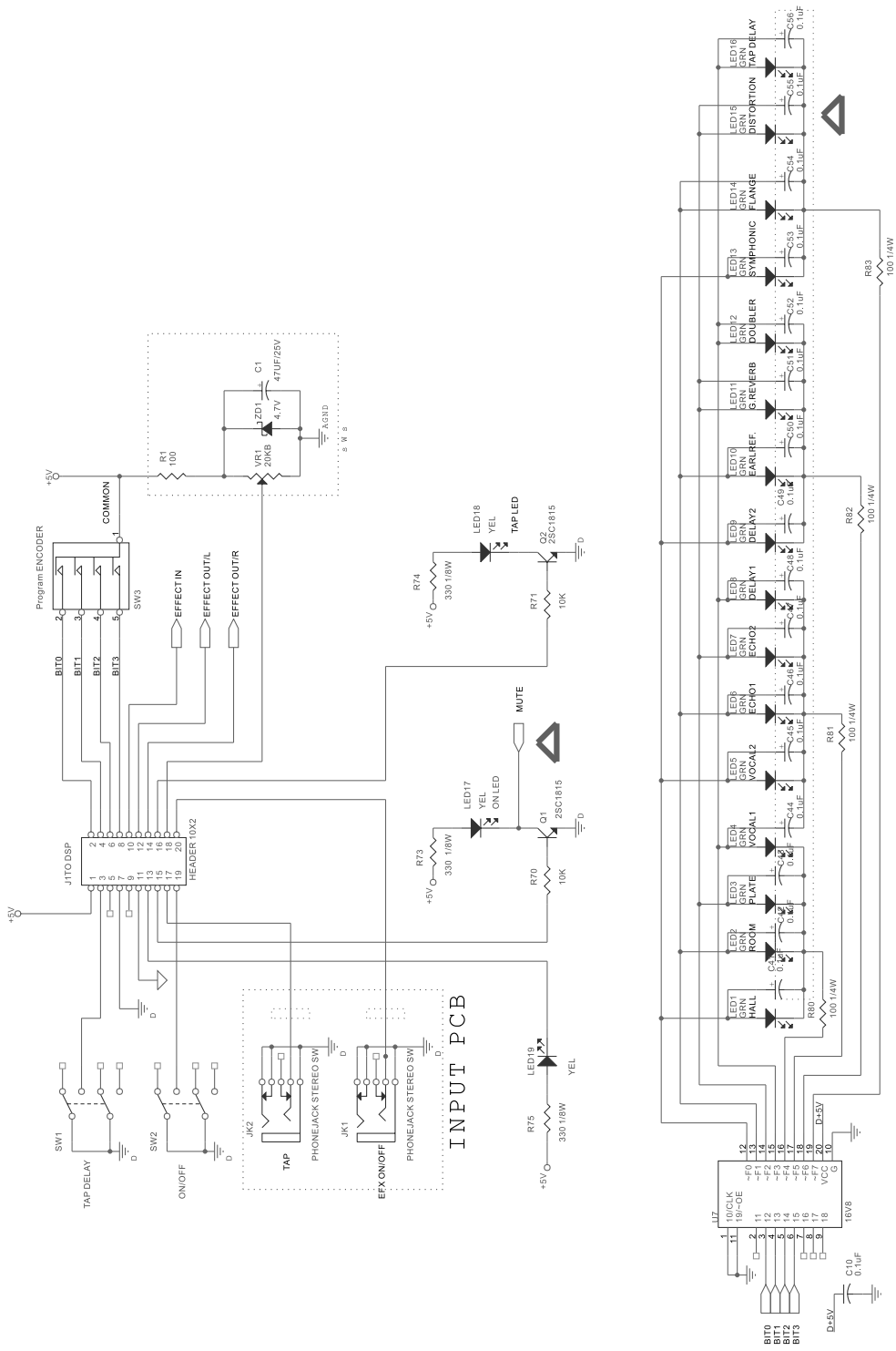
u a , F B a , n P H a V



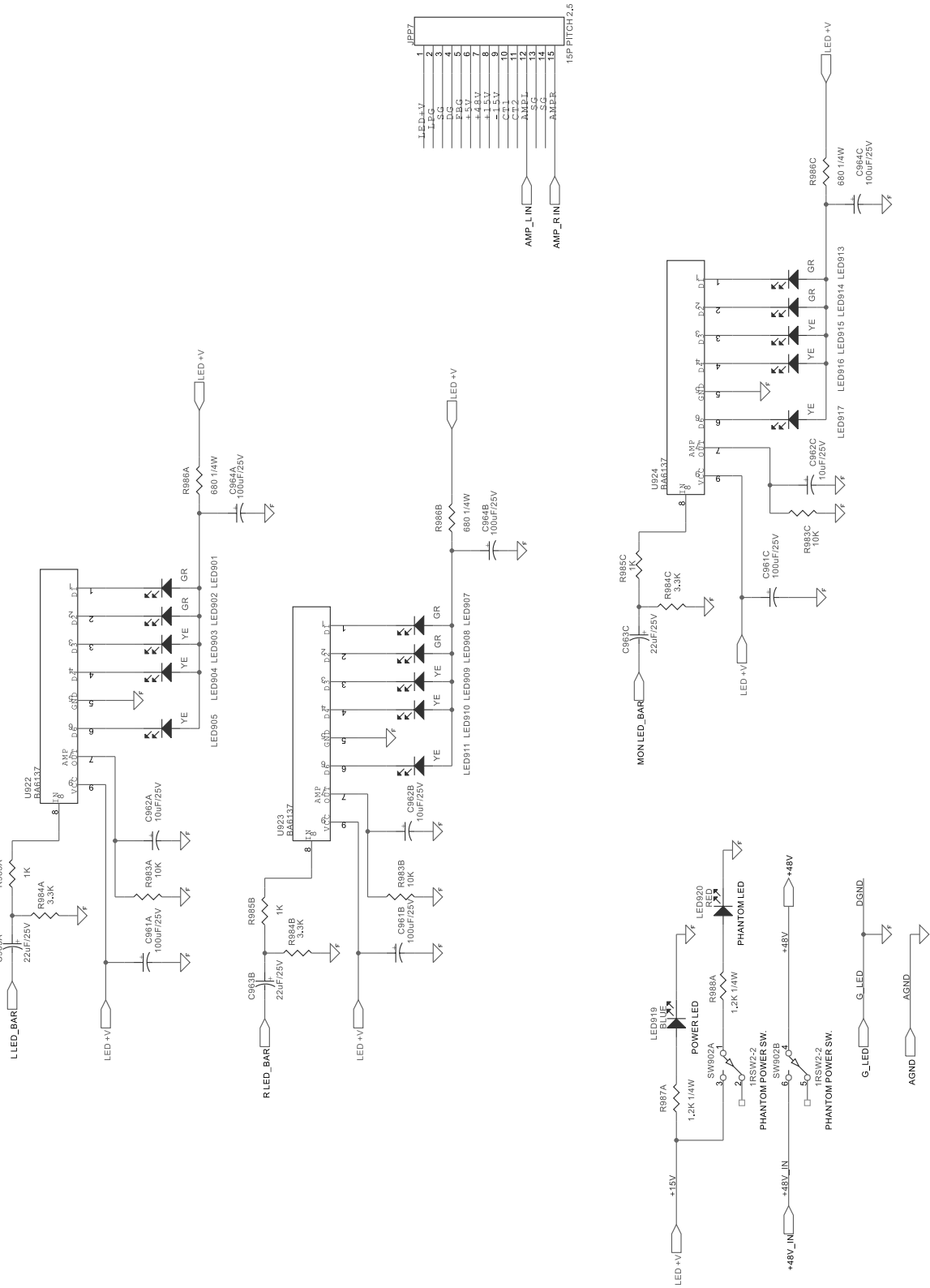
DSP



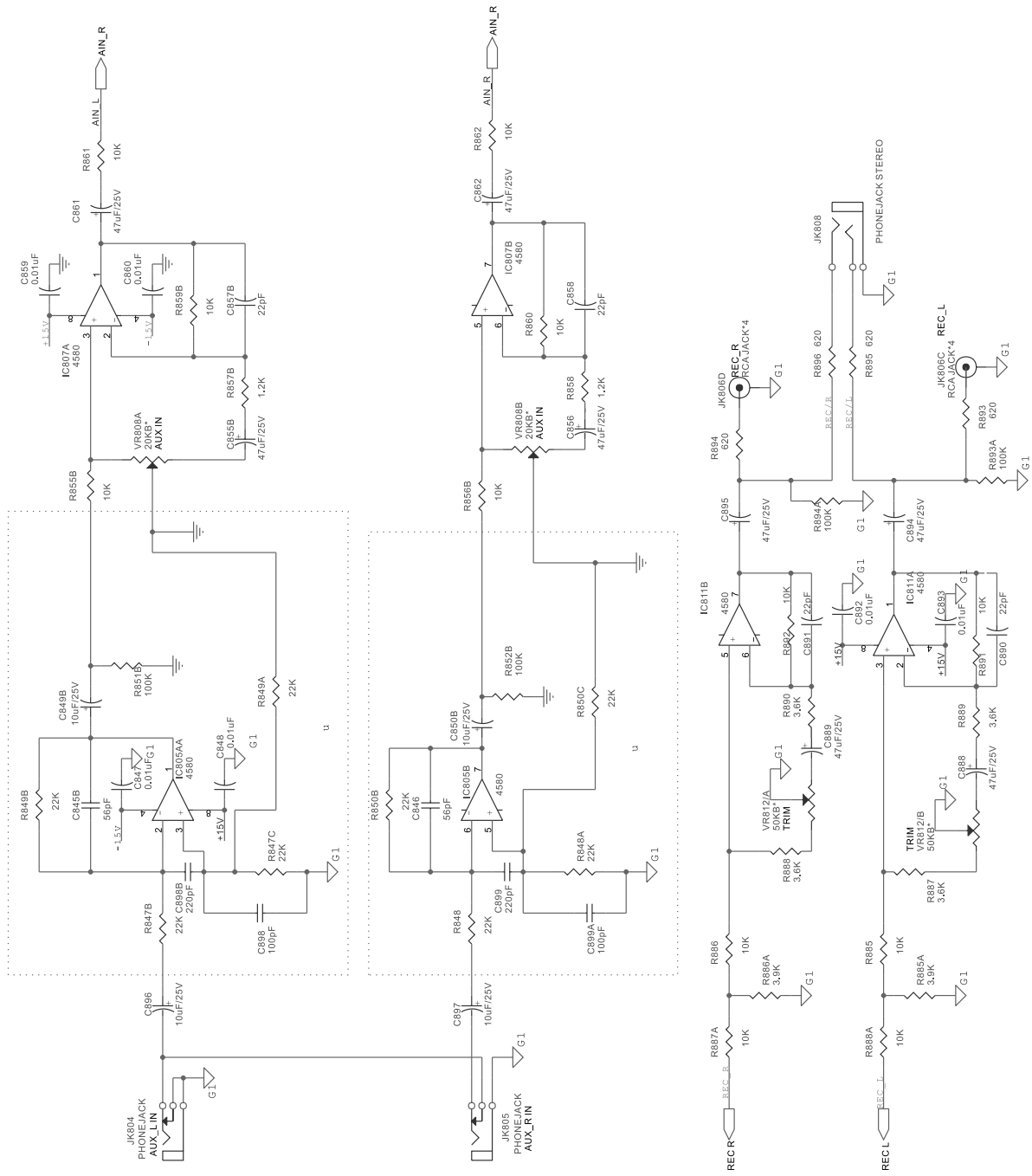
DSP CTL



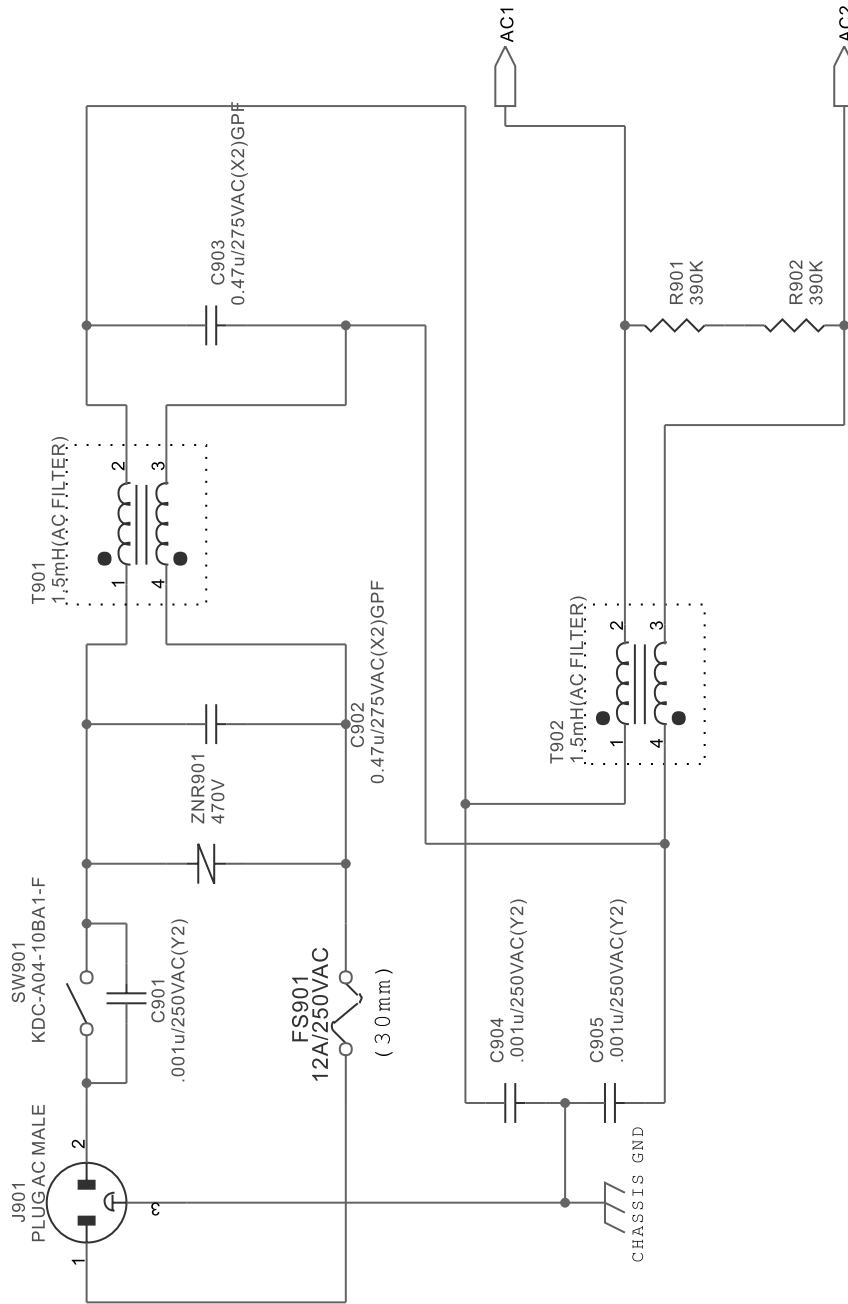
DISPLAY

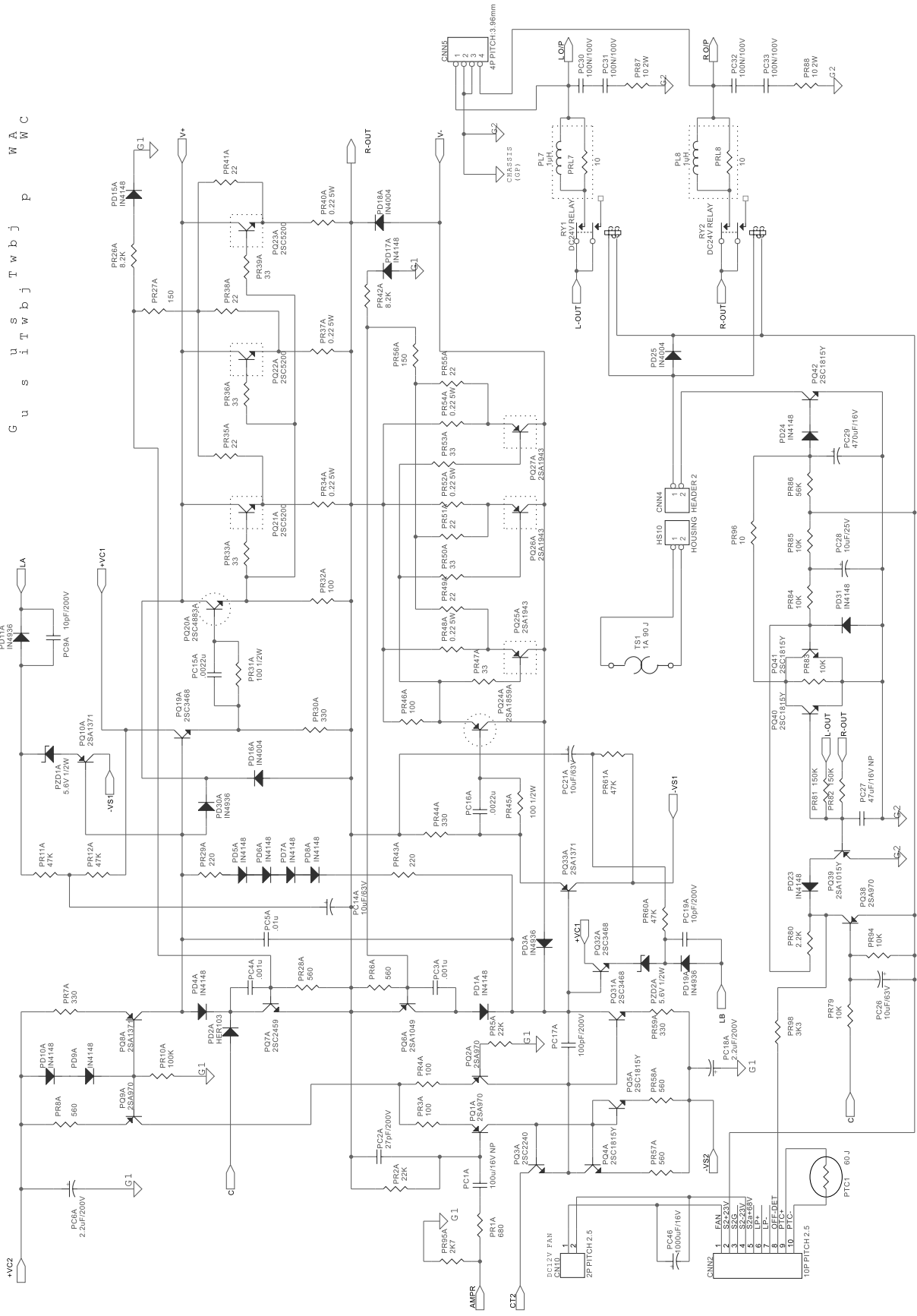


AUX IN

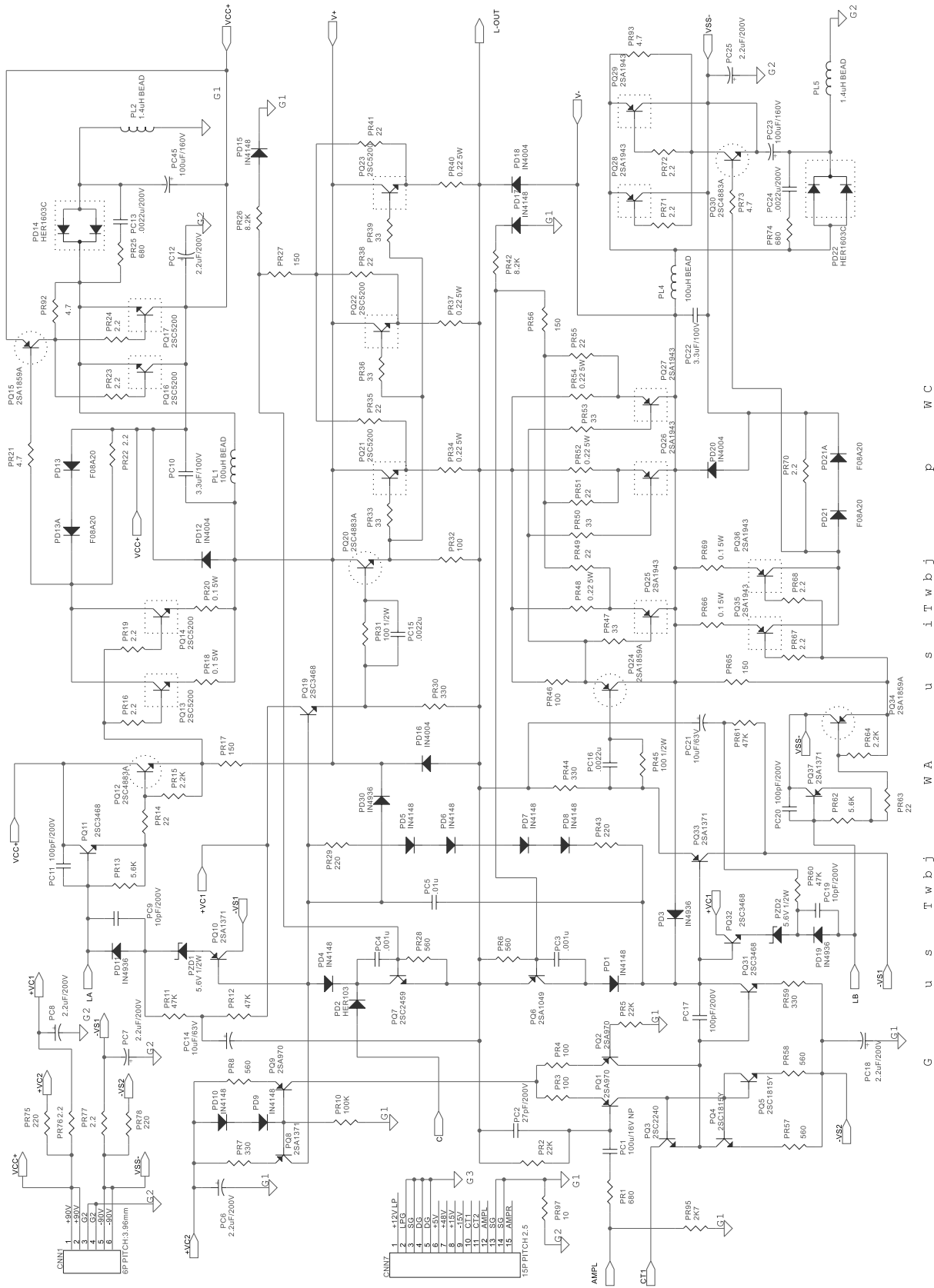


AC



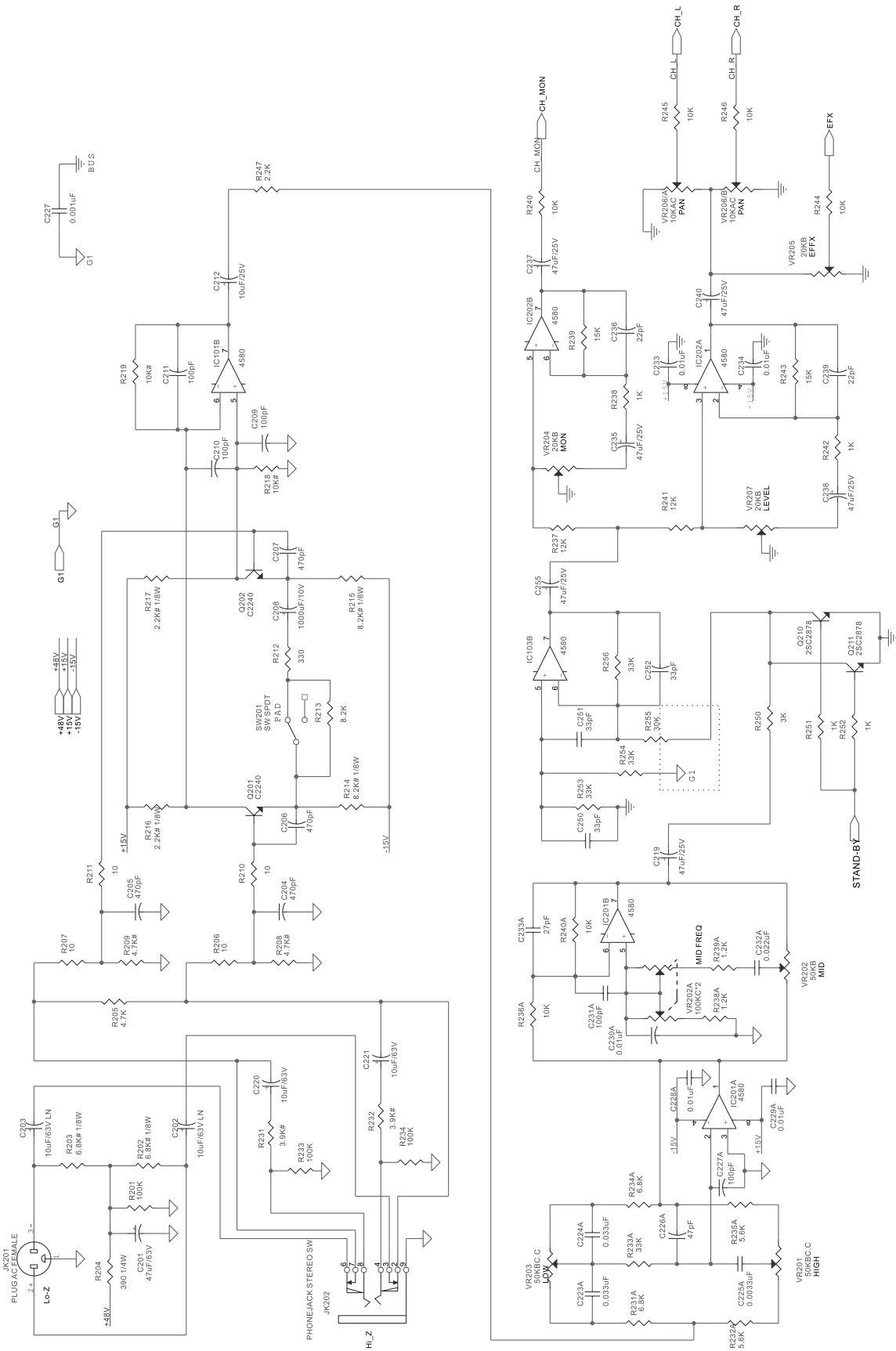


AMP L

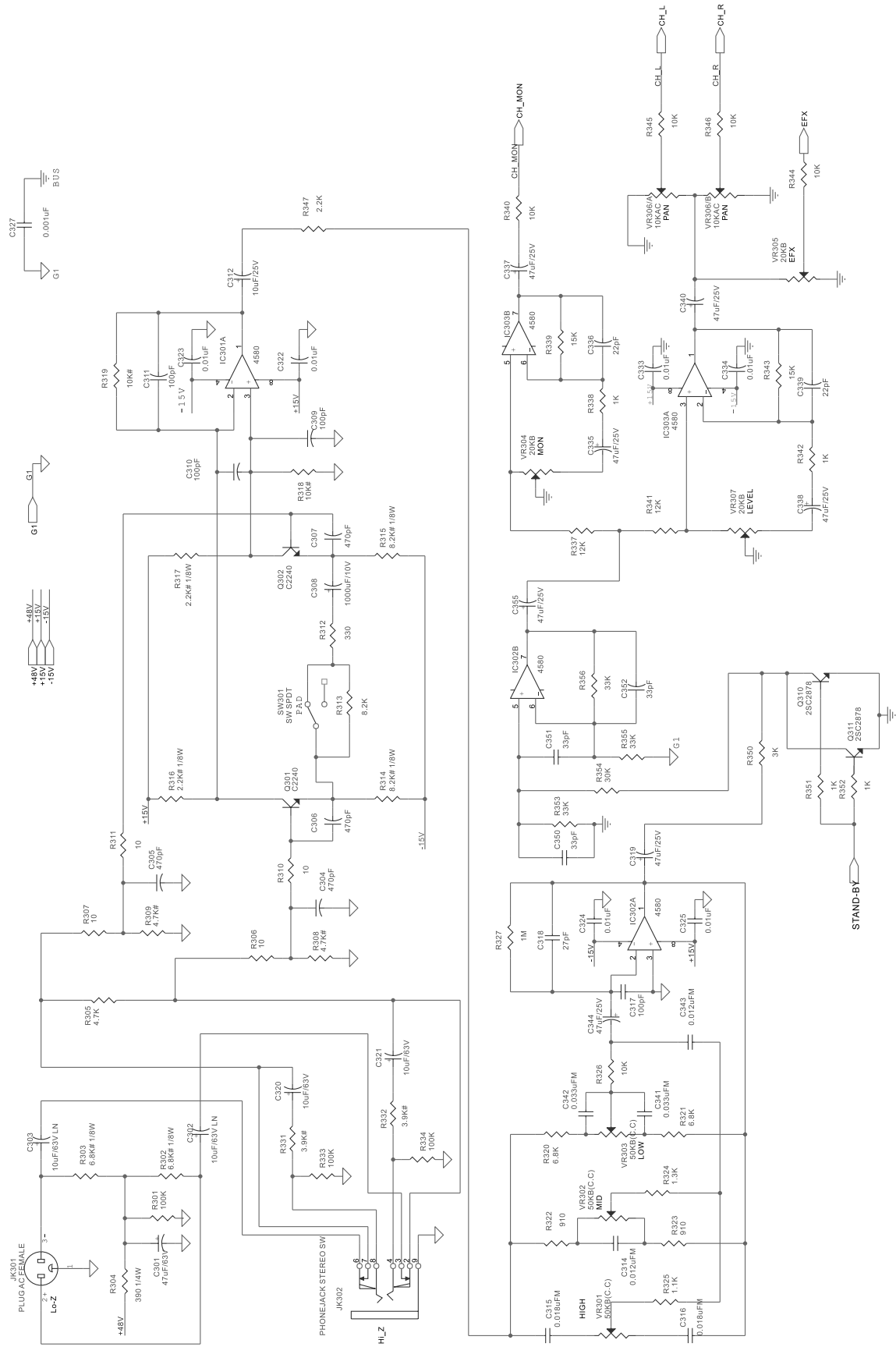


G u s T w b j W A u s i t w b j p W C

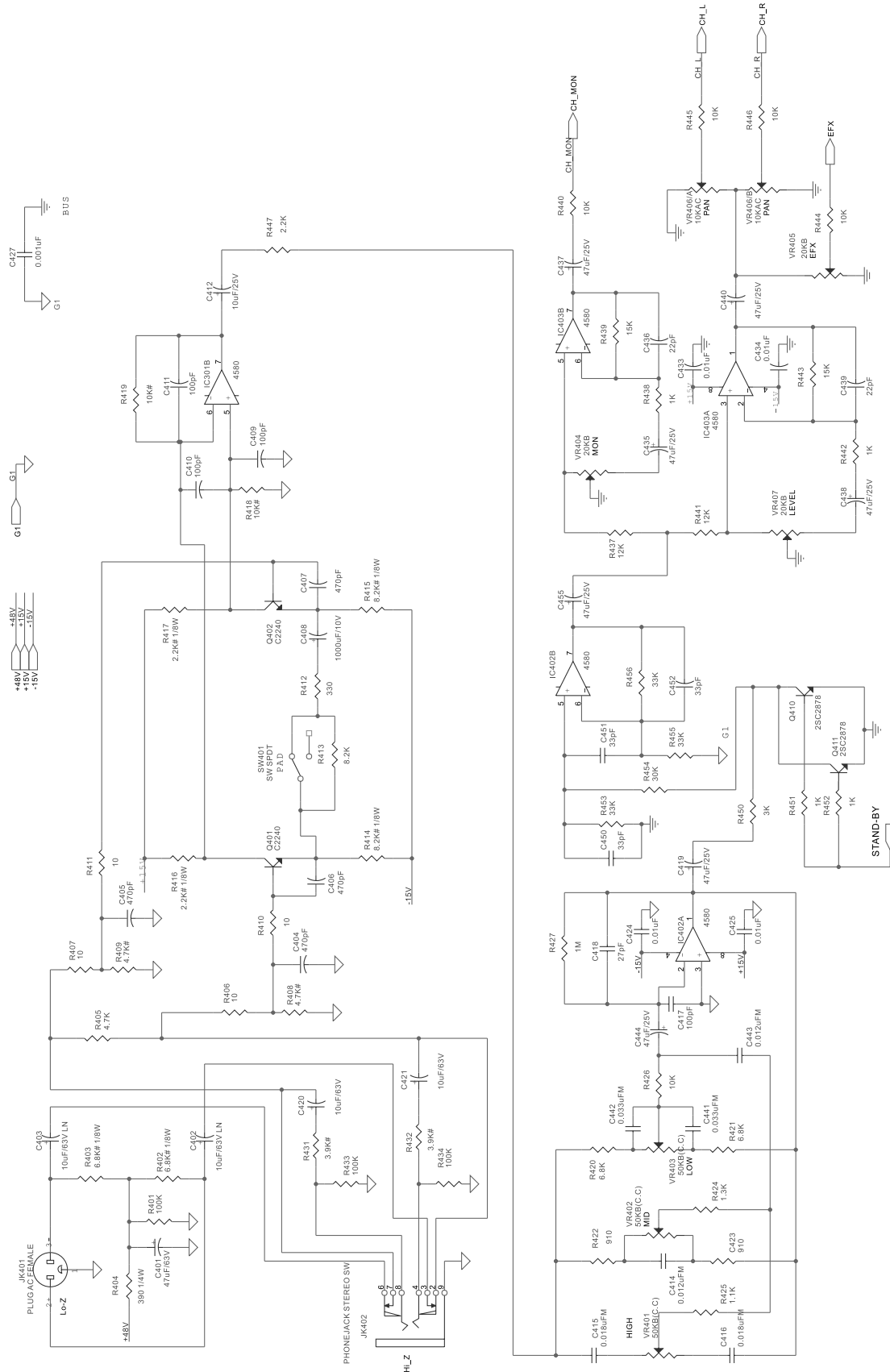
CH 2



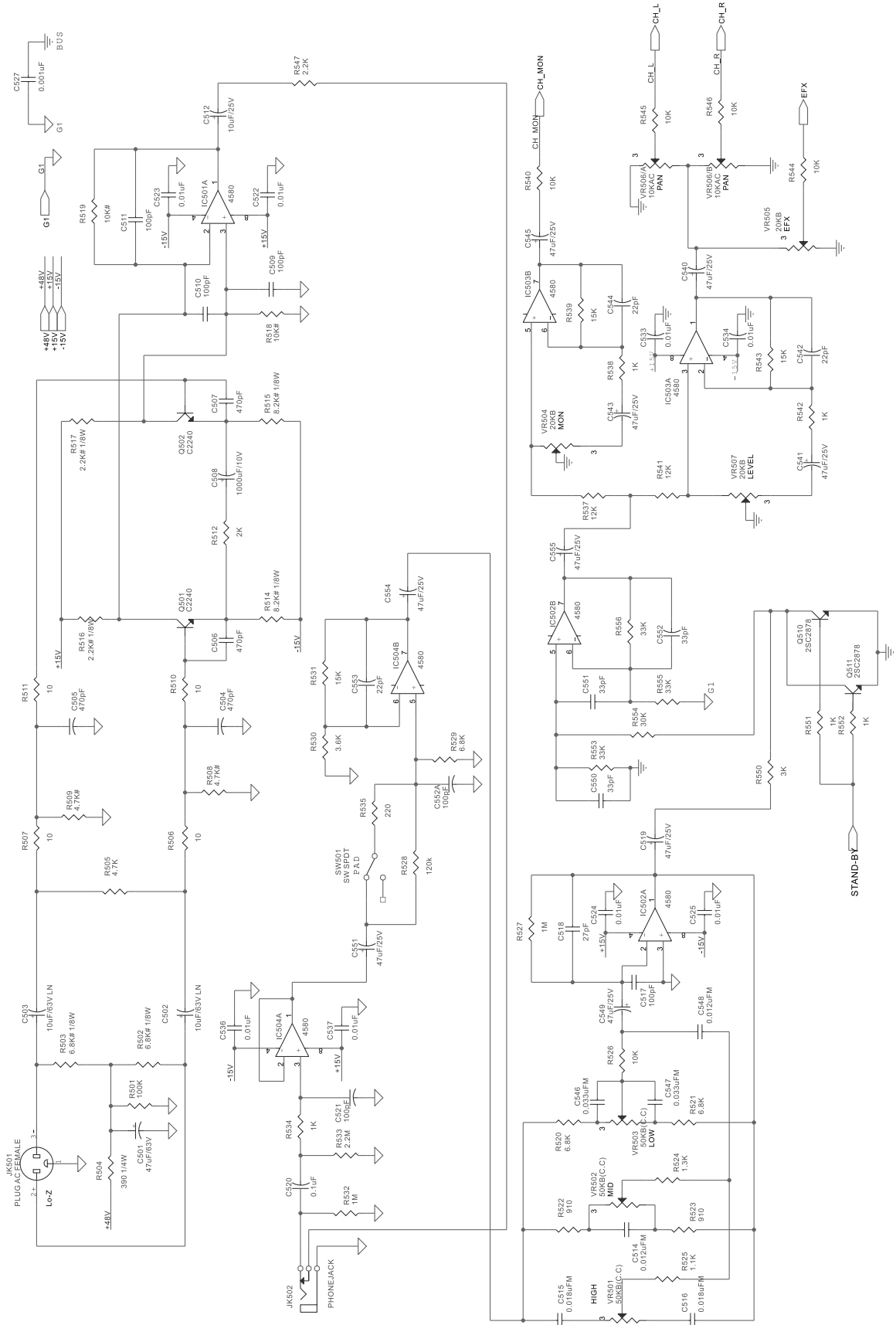
CH 3



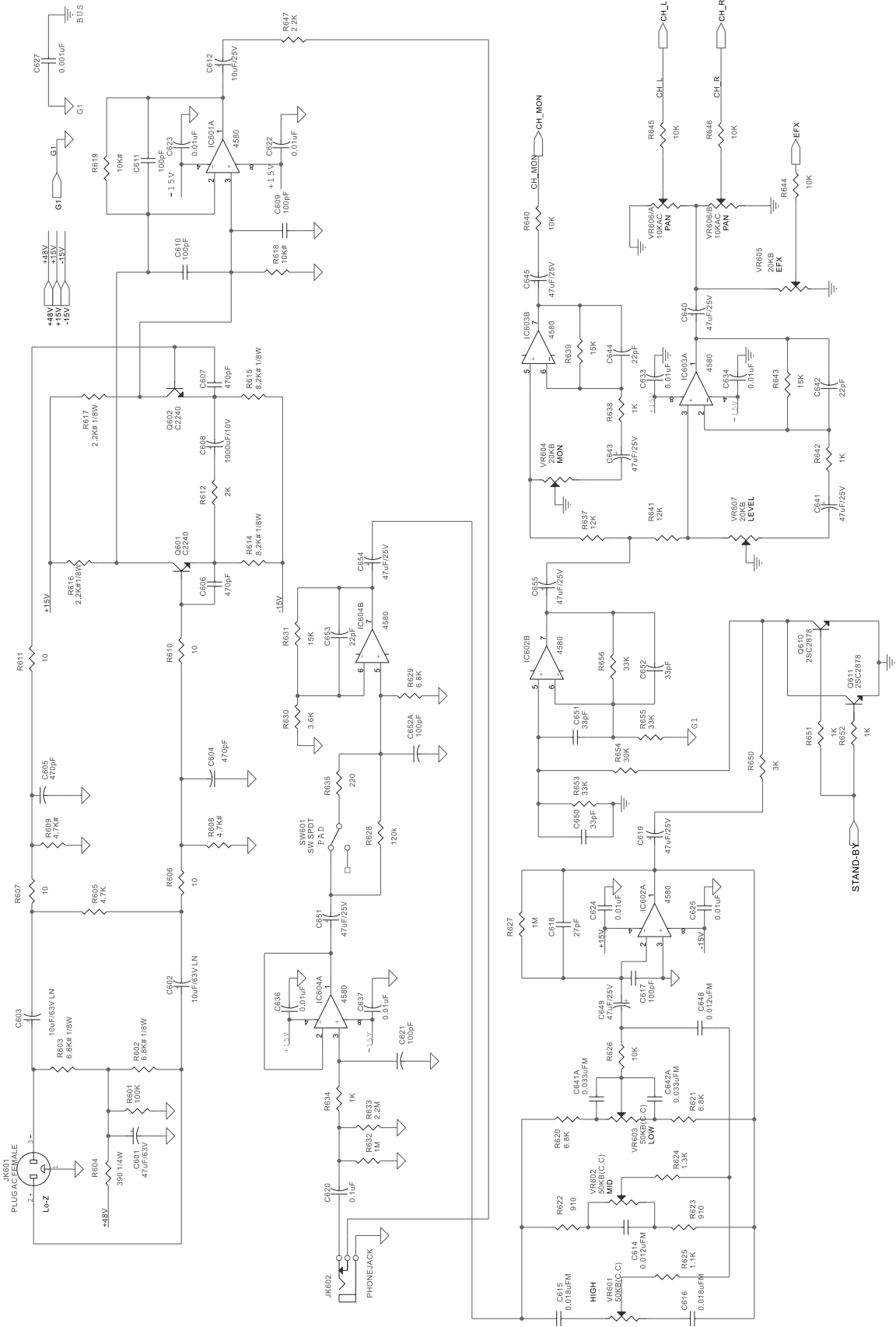
CH 4



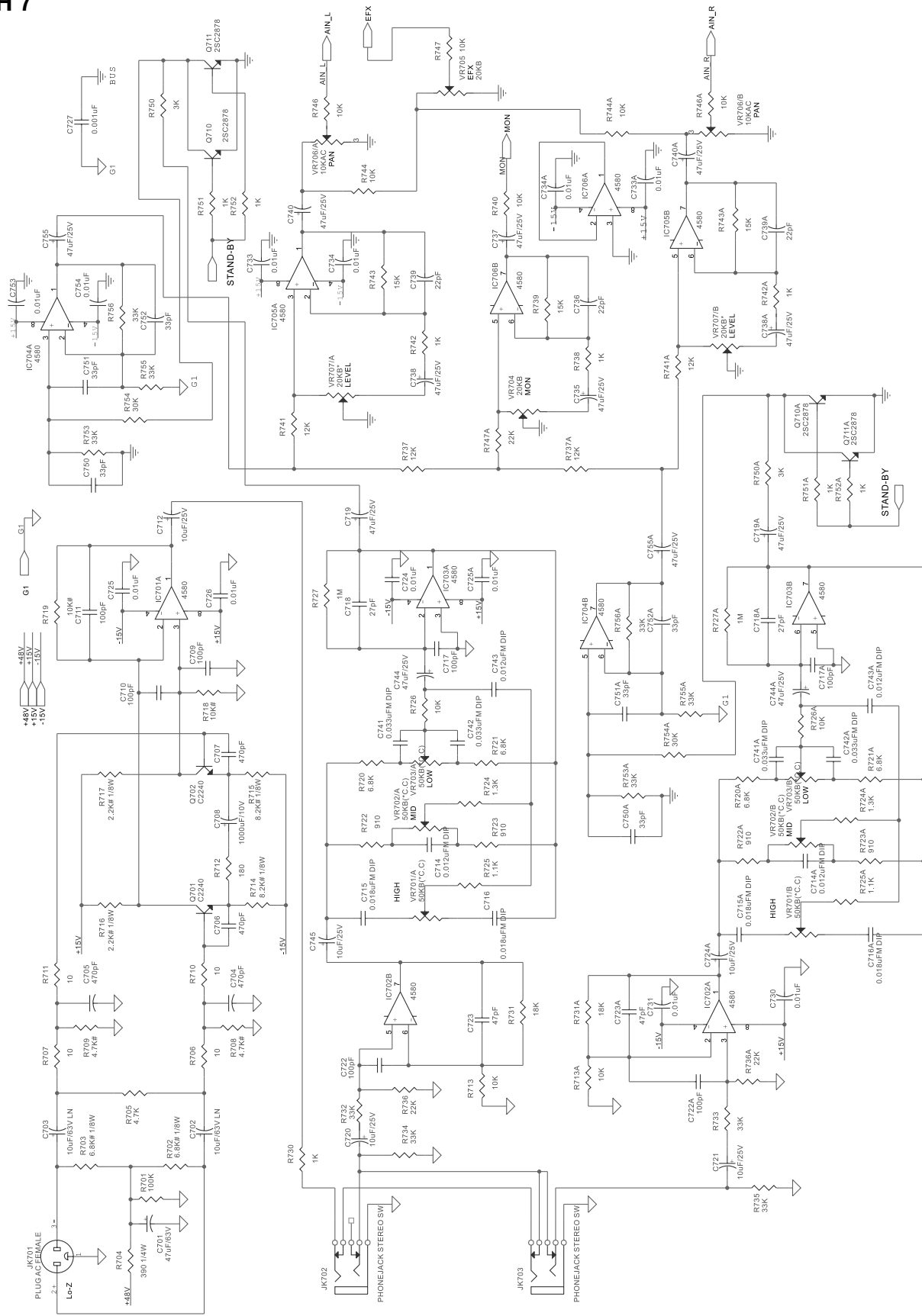
CH 5



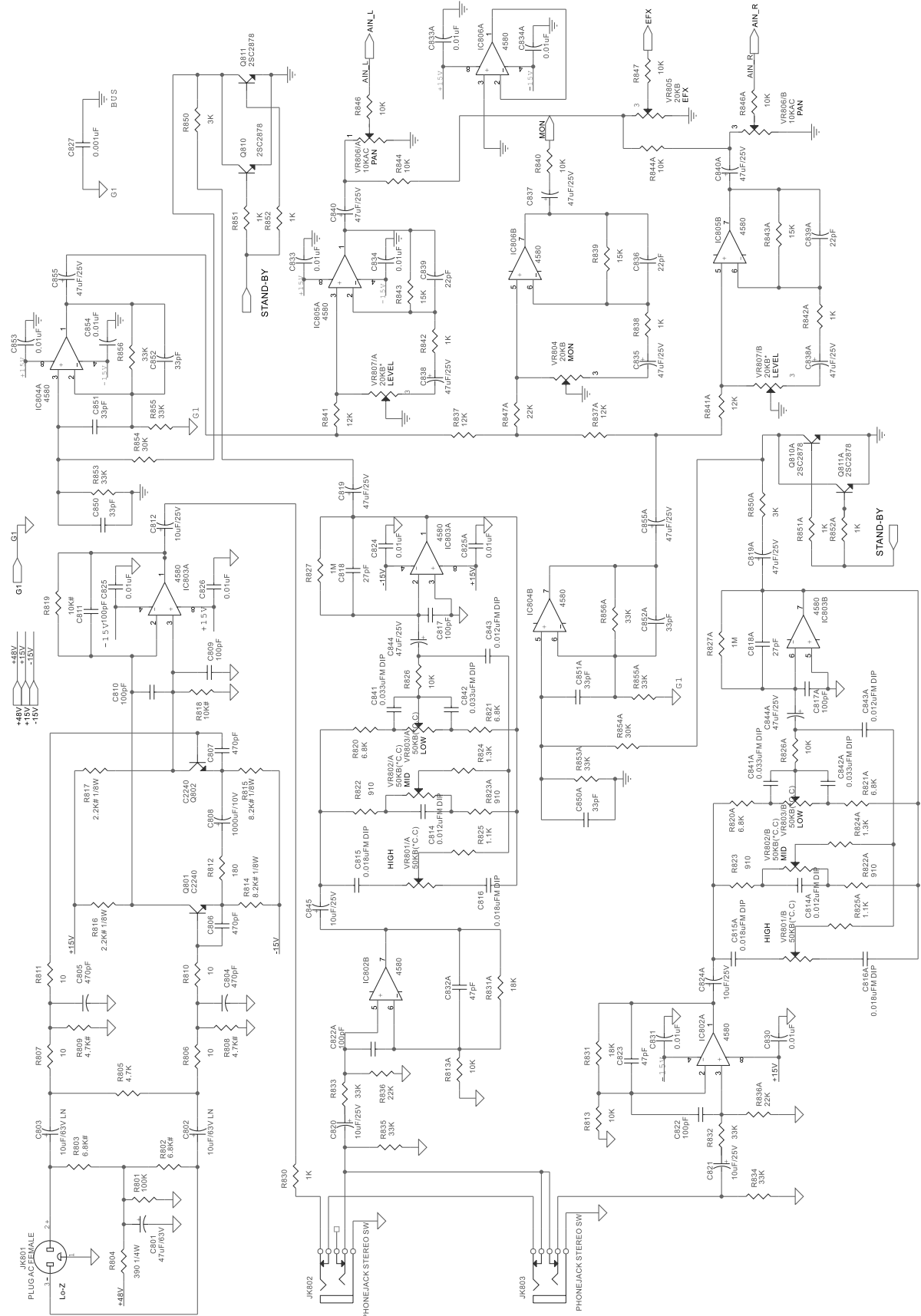
CH 6



CH 7



CH 8



MISCELLANEOUS ITEMS

Ref.	Phonic Part No.	Specifications
	212-10010-620-0	1P WAFER/P 300MM (UL1015#16) BWN
	315-00001-000-0	LUG 3D
	321-00000-070-0	CABLE TIE HW-100MM
	347-00000-340-0	FAN 80*80*15 DC12V 320mm
	379-02101-101-0	M.WIRE UL1007 #24 100MM BLK
	510-62100-000-0	FRONT PANEL POD865 PLUS SECC1.2
	511-60645-000-0	BACK PANEL POD865 PLUS SECC1.2
	516-60060-020-0	FRONT COVER POD865 PLUS PP
	516-60070-020-0	BACK COVER POD865 PLUS PP
	516-60080-020-0	DOOR COVER POD865 PLUS PP
	524-60020-020-0	HANDLE POD865 PLUS PC
	540-20460-120-0	R/KNOB D12.25*18mm GREY BODY+RED CAP
	540-20460-220-0	R/KNOB 12 12.25*18 GREY BODY
	540-20460-320-0	R/KNOB D12.25*18mm GREY BODY+WHT CAP
	540-60300-320-0	R/KNOB GREY BODY+WHT CAP
	540-60300-420-0	R/KNOB GREY BODY CAP
	540-60300-520-0	R/KNOB GREY BODY+BLK CAP
	541-20270-020-0	SLD/KNOB POD865
	542-60090-222-0	P/KNOB WHT BODY+COOL GREY 11C
	542-60280-020-0	P/KNOB BLK BODY+WHT TEXT
	543-60080-020-0	P/KNOB PUSH BLK
	550-60340-000-0	CHASSIS 1.POD865 PLUS
	551-60093-000-0	POWER SW BRKT SECC1.0 POD740/1062
	551-60109-000-0	BACK PANEL BRKT POD865 PLUS SECC 1.2
	551-60110-000-0	POWER SUPPLY BRKT POD865 SECC 1.0
	551-60112-000-0	DOOR BRKT POD865 PLUS SECC1.2
	551-60113-000-0	JTS BRKT POD865 PLUS SECC 1.0
	552-20048-420-0	ADHESIVE FIXED FW-5D-3M
	552-60047-000-0	FIXED PRONT&BACK POD865 PLUS SECC 2.0
	560-61230-000-0	CARTON EXPORT SIZE: POD865 PLUS A=B
	561-60870-000-0	COLOR BOX SIZE POD865 PLUS 300g+A99
	565-60113-000-0	L/POLYLON POD865 PLUS
	565-60114-000-0	R/POLYLON POD865 PLUS
	566-10001-010-0	SPONGE 25*10*2MM
	568-00003-000-0	10 240*340*0.05
	568-10064-000-0	PE BAG 850*650*0.05
	568-30011-000-0	PE BAG 300*110*0.05
	572-00000-050-0	DRYER 5g
	573-10124-010-0	GND LABEL MAR2
	573-20340-001-0	LABEL D25 BLK

Ref.	Phonic Part No.	Specifications
	573-60240-000-0	BAR CODE LABEL PHONIC
	573-60343-000-0	LABEL BLUE D=8mm
	574-01750-110-0	OWN. MANU. POD865 PLUS
	590-03010-200-0	M/E FLT SCR. M3.0*10 BLK
	590-04010-200-0	M/E FLT SCR. M4.0*10 BLK
	590-43006-100-0	M/E PAN SCR. M3.0*6 NI
	590-43008-100-0	M/E PAN SCR. M3.0*8 NI
	590-43008-200-0	M/E PAN SCR. M3.0*8 BLK
	590-43010-100-0	M/E PAN SCR. M3.0*10 NI
	590-43020-100-0	M/E PAN SCR. M3*20 NI
	590-44010-100-0	M/E PAN SCR. M4*10 NI
	590-53010-100-0	M/E SET SCR. M3.0*10 NI
	590-54008-100-0	M/E SET SCR. M4*8 NI
	590-54012-200-0	M/E SET SCR. M4*12 BLK
	591-34020-200-0	T/P RUD SCR. D4*20 BLK
	591-43008-100-0	T/P PAN SCR. M3*8 NI
	591-53006-100-0	T/P SET SCR. D3.0*6 NI
	591-53012-100-0	T/P SET SCR. D3.0*12 NI
	591-54030-200-0	T/P SET SCR. D4.0*30 BLK
	600-00302-010-0	HEX. NUT M3.0*2.0 NI
	600-00403-510-0	HEX. NUT M4.0*3.5 NI
	600-20402-000-0	NUT M4.0*2.0 ZN L14*W10
	610-00300-501-0	PLA. WAS. D3.0*D7.0*0.5 NI
	610-00300-518-0	FIBER WAS. D3*D7*0.5 RED
	610-00301-018-0	FIBER WAS. D3.0*8*1
	610-20901-001-0	TOOTH WAS D9*12*1 NI
	610-30300-501-0	TOOTH WAS. D3.0*D6.5*0.5 NI
	610-30400-501-0	TOOTH WAS. D4.0*D8.5*0.5 NI
	610-60300-501-0	PAN SPR. WAS D3.0*D7*0.5 NI
	610-60401-001-0	PAN SPR. WAS. D4*7.6*1.0 NI
	615-20088-620-0	SPACER SUPPORT H-16
	615-60085-630-0	HEX. BOSS M3.0*11MM
	618-14180-662-0	SPEC FIXED PIN SR-2 WHT
	630-60075-450-0	PVC 1.0 POD865 PLUS
	630-60078-450-0	PVC 410*256*0.5mm POD865
	631-10027-000-0	HEMELON 24*12
	631-20029-000-0	HEMELON 10*10
	631-20032-000-0	HEMELON 36*10MM
MAST LED*3	631-60013-000-0	HEMELON 38*10mm
DSP LED*1	631-70020-000-0	HEM ELON 110*10*0.2

DSP PCB-PART LIST

Ref.	Phonic Part No.	Specifications
L1.2.3	072-10072-100-0	COIL 370MA 10uH
R5.33.36.37.41.43.46-48.52.59.J3	008-00002-600-0	CHIP RES. 0 J 0603
R30.32	008-01002-600-0	CHIP RES. 10J SMT 0603 PKG
R8.11	008-01012-600-0	CHIP RES. 100 J 0603
R19-32	008-01022-600-0	CHIP RES. 1K J 0603
R25.27.58.65.66	008-01032-600-0	CHIP RES. 10K J 0603
R31.35	008-01072-600-0	CHIP RES. 1 J 0603
R50	008-02012-600-0	CHIP RES. 200 J 0603
R26.28	008-03312-600-0	CHIP RES. 330 J 0603
R29	008-03332-600-0	CHIP RES. 33K J 0603
R34	008-04702-600-0	CHIP RES. 47 J 0603
R9.10.14.15.16.17.67	008-04722-600-0	CHIP RES. 4.7K J 0603
R12.13	008-51002-400-0	CHIP RES. 510 F 0603
C3.9.13.15.20.22.25.28.30	039-10426-230-0	CHIP C/C 0.1MF M 50V 0603
C35.39	039-10606-900-0	CHIP E/C 10MF M 16V 4*5.4
C10.11	039-22024-200-0	CHIP C/C 22PF J 50V 0603
C8.21.23.24.26.27.29.31	039-47646-900-0	CHIP E/C 47MF M 6.3V 4*5.4
D2	090-00039-000-0	DIODE BAV99 SMD
Q1.2	120-00011-100-0	TRAN. MMBTA14 SOT-23 SMD
U5	160-00027-200-0	IC LD1117S33TR SOT-223-M REEL (ST/NS)
U10	160-00028-800-0	CODEC IC UDA1345TS SSOP28 SMD PHIL-IPS
U10	170-00007-000-0	TTL 74HC393 reel-M (PH) SMD
U8	171-00004-800-0	MOS 74HCT132 SO14-D reel-M (PH) SMD
U2	177-00003-900-0	DSP TMS57002 QFP-M TI SMD
U9	177-01002-320-0	MOM AT24C08AN SMD reel(ATM)
U3	177-01005-500-0	CPU TSB89C54X2 PLCC-M V.C(PH/SST)SMD
U6	177-01302-100-0	DRAM IC MIIB416256A 35T TSOP ESMT
	290-01660-401-0	K12 DSP REV-B
XT1	300-12004-010-0	CRYSTAL 12.000MHz SMD

AC INPUT PCB-PART LIST

Ref.	Phonic Part No.	Specifications
R901.902	006-39032-440-0	MF RES. 390K F 0.25W T
C901.904.905	058-10226-000-0	LINE/C 0.001UF M 250V Y2
C902.903	058-47485-000-0	LINE/C 0.47UF K 300V
T901.902	072-20121-000-0	CHOCK COIL TF5104
SW901	210-02101-030-0	PSH/SW PA-03S-A1
J901	211-12300-070-0	AC/C SS-7B-1-A
FS901	281-00000-020-0	FUSE CLIP FH-1206
ZNR901	301-47100-000-0	ZNR 470V
AC1.AC2	315-00017-000-0	GND LUG PC250 17-836-01

BACK PCB-PART LIST

Ref.	Phonic Part No.	Specifications
WR1	000-10036-400-0	CF RES 10 J 0.5W T
CDS1.2	010-00007-000-0	CDS 32SR2S SILONEX
VR1.104.105.107.204.205. 207.304.305.307.404.405. 407.504.505.507.604.605. 607.704.VR705.804.805.81 1.912.913	022-20350-010-0	S.ROT/VR 20KB 30MM P
VR101-103.201-203.301- 303.401-403.501-503.601- 603	022-50350-050-0	S.ROT/VR 50KB(C.C) 30MM P
VR106.206.306.406.506.6 06.706.806	023-10350-020-0	D.ROT/VR 10KA/10KC 30MM P
VR102A.202A	023-10470-021-0	D.ROT/VR 20KB 30MM P
VR707.807.808.810.914. 915	023-20350-010-0	D.ROT/VR 50KB*2 (C.C) 25MM P
VR812	023-50340-050-0	D.ROT/VR 50KB*2 (C.C) 25MM P
VR701-703.801-803	023-50350-060-0	D.ROT/VR 50KB(C.C) 30MM P
VR901-907	026-10472-000-0	S.SLD/VR 100KW (C.C) 9.5MM LED
VR901A-907A	027-10472-000-0	D.SLD/VR 100KW (C.C) 9.5MM LED
C108.208.308.408.508.608 .708.808	030-10818-000-0	E/C 1000MF Z 10V D8*14 P
ZD2	090-01332-011-0	Z/DIODE 3.3V K 0.5W T52mm
LED19.602.906.912.920. 7010	100-00010-030-0	LED BL-B5141 RED
LED18.903-905.909- 911.915-917	100-00040-000-0	LED BL-B3141 YLW
LED1-17.901.902.907.908 .913.914	100-00050-000-0	LED BL-B2141 GRN
LED919	100-00070-030-0	LED 204UBD D3 BLUE
Q606	120-00005-000-0	TRN MJE340 SOT32-DIP(ON/MO)
Q605	121-00006-100-0	TRP MJE350 SOT-93-D (ON)
U922-924	160-00004-000-0	IC AN6884 DIP (MA)
U7	177-02000-333-0	GAL ATF16V8B-15JC DIP (ATM)
SW902.1001A	210-01202-120-0	SLD/SW 2P2T H=19MM
SW901	210-01203-020-0	SLD/SW 2P3T H=19MM
SW907.7001	210-01402-020-0	SLD/SW 4P2T H=19MM
SW101.201.301.401.501 .601	210-02201-440-0	PSH/SW 2P2T SFPC12MC03-PF
S1	210-02202-070-0	PUSH/SW SPEC12HC11-JP
SW1.2	210-02202-080-0	PUSH SW UNLOCK MR4283
SW3	210-16000-000-0	ENCODER SDB161PVB20F-1-4-16PC
JK806	211-00041-100-0	4P RCA/J RL-1414-4D

Ref.	Phonic Part No.	Specifications
JK807.808	211-01302-100-0	3D5/J EJ 3536B
JK502.602.804.805.901-904	211-01601-240-0	6D3/J JY-6351-02-130 SCJ-0658
JK102.202.302.402	211-01602-220-0	6D3/J APJ-06-2
JK1.2.702.703.802.803	211-01602-380-0	6D3/J (SCJ-0658-Y)
JK101.201.301.401.501.601.701.801	211-03300-160-0	XLR/J SKCA229-1K3F2
R138.142.151.152.238.242.251.252.338.342.351.352.438. R442.451.452.534.538.542.551.552.634.638.642.651.652.730.738.742.742A.751.751A. R752.752A.830.838.842.842A.851.851A.852. 852A.90.91.973.973A.973B.985A-985C.987. R988.991-994	008-01022-600-0	CHIP RES. 1K J 0603
R138A.139A.238A.239A.4067.4074.857B.858.	008-01222-600-0	CHIP RES. 1.2K J 0603
R7001.7005	008-01522-600-0	CHIP RES. 1.5K J 0603
R696.A8.B8	008-01542-600-0	CHIP RES. 150K J 0603
RA3-A5.B3-B5	008-02042-600-0	CHIP RES. 200K J 0603
RA6.B6	008-02222-600-0	CHIP RES. 2.2K J 0603
R533.633	008-02252-600-0	CHIP RES. 2.2M J 0603
R112.212.312.412	008-03312-600-0	CHIP RES. 330 J 0603
R2009.2009A.7002.7006	008-03932-600-0	CHIP RES. 39K J 0603
R981.A10.B10	008-04322-600-0	CHIP RES. 4.3K J 0603
R903.903A.903B	008-04732-600-0	CHIP RES. 47K J 0603
R2111.2111A.2121.2121A.2131.2131A.2141.2141A.2151.2151A.2161.2161A.2171.2171A	008-04750-600-0	CHIP RES. 4.7M J 0805
R4007.4014.4041.4048	008-05122-600-0	CHIP RES. 5.1K J 0603
R893-896	008-06212-600-0	CHIP RES. 620 J 0603

POWER REQUIREMENT CLASSIFICATION

Ref.	Phonic Part No.	Specifications
R924.924A.924B.928.928 A.928B.932.932A.932B.93 7.937A.937B.941.941A.94 1B.945.945A.R945B.950.9 50A.962B	008-06222-600-0	CHIP RES. 6.2K J 0603
R2008.2008A	008-06232-600-0	CHIP RES. 62K J 0603
RA9.B9.2007.2007A.2017 .2017A.2027.2027A.2037 .2037A.2048.2048A.2057. 2057A.2067.R2067A.2078 .2078A	008-06812-600-0	CHIP RES. 680 J 0603
R971.971A.971B	008-07532-600-0	CHIP RES. 75K J 0603
R2004	008-09122-600-0	CHIP RES. 9.1K J 0603
R1.977	008-10002-400-0	CHIP RES. 100 F 0603
R88.89.327.427.527.5 32.627.632.727.727A. 827.827A	008-10042-400-0	CHIP RES. 1M F 0603
R106.107.110.111.206.207 .210.211.306.307.310.311. 406.407.410.411.506.507.5 10.511.RA13.B13.606.607. 610.611.706.707.710.711.8 06.807.810.811	008-10092-400-0	CHIP RES. 10 F 0603
R325.425.525.625.725.725 A.825.825A	008-11012-400-0	CHIP RES. 1.1K F 0603
R137.141.237.241.337.341 .437.441.537.541.637.641 .737.737A.741.741A.837.8 37A.841.R841A.A2.B2	008-12022-400-0	CHIP RES. 12K F 0603
R528.628	008-12032-400-0	CHIP RES 120K F 0603
R2061.2061A.2062.2062A .942.942A.942B.943.943A .943B	008-12122-400-0	CHIP RES. 12.1K F 0603 50V
R324.424.524.624.724.724 A.824.824A	008-13012-400-0	CHIP RES. 1.30K F 0603 50V
R139.143.239.243.339.343 .439.443.531.539.543.631. 639.643.739.743.743A.839 .843.R843A.A12.B12.699	008-15022-400-0	CHIP RES. 15K F 0603 50V
R712.812	008-18002-400-0	CHIP RES. 180 F 0603
R512.612	008-20012-400-0	CHIP RES. 2K F 0603
R4015.4017.4032.4049.40 51.4065.731.731A.831.831 A.979.998	008-18022-400-0	CHIP RES. 18K F 0603

Ref.	Phonic Part No.	Specifications
R2021.2021A.2022.2022A .2033.2033A.925.925A.92 5B.926.926A.926B.931.93 1A.931B	008-19122-400-0	CHIP RES. 19.1K F 0603
	008-20022-400-0	CHIP RES 20K F 0603
R535.635.980	008-22002-400-0	CHIP RES. 220 F 0603
R547.647.695.985.995.9 96	008-22012-400-0	CHIP RES. 2.2K F 0603
R736.736A.747A.836.836 A.847A-847C.848.848A.84 9A.849B.850B.850C.912.9 12A.R912B	008-22022-400-0	CHIP RES. 22K F 0603
R2051.2051A.2052.2052A .2063.2063A.939B.938.93 8A.938B.939.939A.944.94 4A.944B	008-24322-400-0	CHIP RES. 24.3K F 0603 50V
R914-919.914A- 919A.914B-919B	008-27022-400-0	CHIP RES. 27K F 0603
R966.966A.966B	008-27012-400-0	CHIP RES. 2.7K F 0603
R133A.153.154.156.233A. 253.256.353.355.356.453. 455.456.553.555.556.653. R655.732-735.753.753A.7 55.755A.756.756A.832.83 3-835.853.853A.855.855A. 856.R856A.254.656	008-33022-400-0	CHIP RES. 33K F 0603
R150.250.350.450.550.650 .750.750A.850.850A	008-30012-400-0	CHIP RES. 3K F 0603
R155.255.354.454.554.654 .754.754A.854.854A	008-30022-600-0	CHIP RES. 30K J 0603
R984A.984B.984C	008-33012-400-0	CHIP RES. 3.3K F 0603
R530.630.887-890	008-36012-400-0	CHIP RES. 3.6K F 0603
R2011.2011A.2012.2012A .921.921A.921B.922.922A .922B	008-38312-400-0	CHIP RES. 3.83K F 0603 50V
R2023.2023A.927.927A. 927B	008-38322-400-0	CHIP RES 38.3K F 0603
R131.132.231.232.331.332 .431.432.885A.886A	008-39012-400-0	CHIP RES. 3.9K F 0603
R105.205.305.405.505.60 5.705.R805.992A.992B.99 5A.2090	008-47012-400-0	CHIP RES. 4.7K F 0603
R2041-2044.2041A- 2044A.933-936.933A- 936A.933B-936B	008-48712-400-0	CHIP RES. 4.87K F 0603
R2053.2053A.940.940A. 940B	008-48722-400-0	CHIP RES. 48.7K F 0603 50V

Ref.	Phonic Part No.	Specifications
R969.969A.969B.984	008-56002-400-0	CHIP RES. 560 F 0603
R132A.135A.232A.235A	008-56012-400-0	CHIP RES. 5.6K F 0603
R2071-2074.2071A- 2074A.946-949.946A- 949A.959B-961B.961A	008-60412-400-0	CHIP RES. 6.04K F 0603
R131A.134A.231A.234A.3 20.321.420.421.520.521.5 29.620.621.629.720.720A. 721.721A.R820.820A.821. 821A.907A.907B	008-68012-400-0	CHIP RES. 6.8K F 0603
RA7.B7	008-68092-400-0	CHIP RES. 68 F 0603
R2013.2013A.923.923A. 923B	008-76812-400-0	CHIP RES. 7.68K F 0603 50V
R113.213.313.413.A11.B 11	008-82012-400-0	CHIP RES. 8K2 F 0603
R322.323.422.423.522.523 .622.623.722.722A.723.72 3A.822.822A.823.823A	008-91002-400-0	CHIP RES. 910 F 0603
R2031.2031A.2032.2032A .929.929A.929B.930.930A .930B	008-95312-400-0	CHIP RES. 9.53K F 0603
R2031.2031A.2032.2032A .929.929A.929B.930.930A .930B	008-95312-400-0	CHIP RES. 9.53K F 0603
C4003.4015	039-10024-220-0	CHIP C/C 10PF J 50V 0603
C109-111.127A.131A.209- 211.227A.231A.30 9.310.311.317.409- 411.417.509.510.511.51 7.C521.552A.6002.609- 611.617.621.652A.709- 71 1.717.717A.722.722A.809- 811.817.817A.C822.822A. 898.899A.968	039-10124-220-0	CHIP C/C 100PF J 50V 0603
C127.227.327.427.527.627 .727.827	039-10224-220-0	CHIP C/C 0.001MF J 50V 0603
C10.2074.2074A.2075.207 5A.2080.2080A.208.C7004	039-10426-230-0	CHIP C/C 0.1MF M 50V 0603
C136A.139.236.239.336.3 39.4012.4025.4028.436.43 9.542.544.553.642.644.65 3.736.739.C739A.836.839 .839A.857B.858.890.891.9 01.901A.901B.910.910A.9 10B.913.913C.913D.C966. 990A.990B.993A.A4.B4	039-22024-200-0	CHIP C/C 22PF J 50V 0603

Ref.	Phonic Part No.	Specifications
C898B.899.971.976.A3.B3	039-22124-220-0	CHIP C/C 220PF J 50V 0603
C133A.233A.318.418.518. 618.718.718A.818.818A	039-27024-220-0	CHIP C/C 27PF J 50V 0603
C4005.4006.4017.4018	039-27224-220-0	CHIP C/C 0.0027MF J 50V 0603
C150-152.250-252.350-35 2.4002.4002A.4014.452.55 0.552.650.652.750.750A.C 551.651.751.751A.752.752 A.850-852.850A- 852A	039-33024-220-0	CHIP C/C 33PF J 50V 0603
C2021.2021A.2022.2022A .2031.2031A.2032.2032A. 2041.2041A.2042.2042A.9 28-933.C928A-933A.928B- 933B	039-33325-000-0	CHIP C/C 0.033UF K 50V TDK 0805
C2011.2011A.2012.2012 A.7001.7002.7007.7008.9 26.926A.926B.927.927A. 927B	039-33405-000-0	CHIP C/C 0.33UF 16V K 0805
C126A.226A.6003.723.723 A.823.832A.918.918A.918 B.919.919A.919B.920.920 A.920B.992.C1A.C1B	039-47024-220-0	CHIP C/C 47PF J 50V 0603
C104-107.204-207.304- 307.404-407.504-507.604- 607.704-707.804-807	039-47124-220-0	CHIP C/C 470PF J 50V 0603
C845B.846.950.950A.950 B.972	039-56024-220-0	CHIP C/C 56PF J 50V 0603
C4007.4008.4019.4020	039-56305-220-0	CHIP C/C 0.056UF 16V K 0603
C981.982	039-82124-220-0	CHIP C/C 820PF J 50V 0603
D2001.2001A.2002.2002A .2011.2011A.2012.2012A. 2021.2021A.2022.2022A. 2031.2031A.D2032.2032A .2041.2041A.2042.2042A .2051.2051A.2052.2052A .2061.2061A.2062.2062A. D2071.2071A.2072.2072A. A2-A5.B2-B5.601.602	090-02000-010-0	DIODE 1N4148 SMD
U204.205.304.305	160-00006-210-0	IC LM339 SOP-M REEL (ST/NS)
U200-203.200A-203A.300- 303.904-907.909-912	160-00022-710-0	IC NJM2058V SMD REEL(JRC)
	290-01750-101-0	POD865 INPUT+MASTER PCB REV.1

Ref.	Phonic Part No.	Specifications
R2081-2084.2081A-2084A.4070-4073	000-10026-400-0	CF RES. 10 J 0.25W T
R80-83.2093.2093A	000-10126-400-0	CF RES. 100 J 0.25W T
R987A.988A.7010	000-12226-400-0	CF RES. 1K2 J 0.25W T
R2019.2019A.2029.2029A.2039.2039A.2050.2050A.2059.2059A.2069.2069A.2080.2080A	000-27126-400-0	CF RES. 270 J 0.25W T
R73-75	000-33106-400-0	CF RES. 330 J 1/8W T
R104.204.304.404.504.604.704.804	000-39126-400-0	CF RES. 390 J 0.25W T
R2092	000-47026-400-0	CF RES. 47 J 0.25W T
R986A-986C	000-68126-400-0	CF RES. 680 J 0.25W T
R118.119.218.219.318.319.418.419.518.519.618.619.718.719.818.819	006-10020-440-0	MF RES 10K F 1/8W T
R116.117.216.217.316.317.416.417.516.517.616.617.698.716.717.816.817	006-22010-440-0	MF RES 2K2 F 1/8W T
R108.109.208.209.308.309.408.409.508.509.608.609.708.709.808.809	006-47010-440-0	MF RES 4K7 F 1/8W T
R102.103.202.203.302.303.402.403.502.503.602.603.702.703.802.803	006-68010-440-0	MF RES 6K8 F 1/8W T
R114.115.214.215.314.315.414.415.514.515.614.615.714.715.814.815	006-82010-440-0	MF RES 8K2 F 1/8W T
C112.212.312.4001.4001A.412.512.6001.6004.612.712.720.721.724A.745.812.820.C821.824A.845.849.850B.863.864.896.897.948.948A.948B.951A.952.952B.953.962A.C962B.962C.969.991.WC2.2002.2002A.2013.2013A.2023.2023A.2033.2033A.2043.2043A.C2053.2053A.2063.2063A.2073.2073A.2093-2099.2093A-2099A.	030-10638-0A0-0	E/C 10MF Z 25V 5*11 T
C120.121.220.221.320.321.420.421	030-10668-0A0-0	E/C 10MF Z 63V 5*11 T
CA2.CB2	030-10728-0A0-0	E/C 100MF Z 16V 6*11 T
C961A-961C.964A-964C.2092	030-10736-0A0-0	E/C 100MF M 25V 8*11 T

Ref.	Phonic Part No.	Specifications
C685	030-22556-0A0-0	E/C 2.2MF M 50V T 5*11
C2001.2001A.683.C4004 .4004A.4010.4011.4016.4 016A.4022.4023.58.59.70 05.7006.7009.C7010.912. 921.921A.921B.922.922A .922B.923.923A.923B.94 7.947B.947C.963A.963B. 963C.C965.979.980.987-	030-22635-0A0-0	E/C 22MF K 25V T
C684	030-33558-0A0-0	E/C 3.3MF Z 50V 5*11 T
C2076-2079.2076A- 2079A.4034A-4036A.902.9 02A.902B.911.911B.994A. 995A.4031A	030-47624-0A0-0	E/C 47MF J 16V T
C101.201.301.401.501.601 .701.801	030-47666-0A0-0	E/C 47MF M 63V T
C968A.969A	032-22626-0A0-0	NP E/C 22MF M 16V 5*11 T
C102.103.202.203.302.303 .402.403.502.503.602.603. 702.703.802.803	033-10675-0A0-0	LN E/C 10UF K 80V T 6.3*11
C314.343.414.443.514.548 .614.648.714.714A.743.74 3A.814.814A.843.843A	046-12304-060-0	M/C 0.012MF J 50V 5 T
C315.316.415.416.515.516 .615.616.715.715A.716.71 6A.815.815A.816.816A	046-18304-060-0	M/C 0.018MF J 50V T
C132A.232A	046-22304-060-0	M/C 0.022MF J 50V 5 T
C125A.225A	046-33204-060-0	M/C 0.0033MF J 50V 5 T
C741.741A.742.742A.841. 841A.842.842A.123A.124A .223A.224A.341.342.441.4 42.546.547.C641A.642A	046-33304-060-0	M/C 0.033MF J 50V 5 T
ZD1	090-01472-020-0	ZENER DIODE 4.7V J 0.5W T
DA1.B1	090-01562-010-0	Z/DIODE 5V6 K 0.5W FAIRCH
Q1-3.A1.A2.B1.B2	120-00000-800-0	TRN 2SC1815 GR TO-92-D REEL(TO)
Q101.102.201.202.301 .302.401.402.501.502 .601.602.701.702.801.802	120-00001-010-0	TRN 2SC2240 TO-92-D REEL(TO)
Q110.111.210.211.310.311. 410.411.5.510.511.6.610.6 11.710.710A.711.711A.810 .810A.Q811.Q811A	120-00006-200-0	TRN 2SC2878 TO-92-D REEL(TO)
Q4.603.604	121-00000-200-0	TRP 2SA1015GR TO-92-D REEL(TO)

AMP PCB-PART LIST

Ref.	Phonic Part No.	Specifications
PR87.88	003-10071-602-0	CEMENT RES. 10 J 2W P
PR18.20.66.69	003-10093-602-0	CEMEN RE. 0.1 J 5W
PR34.34A.37.37A.48.48A. 52.52A.PR40.40A.54.54A	003-22093-603-0	CEMENT RES. 0.22R J 5W SOF-05
PR31.31A.45.45A	006-10003-420-0	MF RES. 100F 0.5W M
PTC1	011-22010-000-0	PTC PTMS2331RP416B16
PC23.45	030-10798-0A0-0	E/C 100UF M 160V
PC46	030-10826-000-0	E/C 1000MF M 16V 10*18 P
PC29	030-47726-000-0	E/C 470MF M 16V 8*16 P
PC10.22	051-33515-000-0	M.P/C 3.3UF 100V K
PL2.5	072-20140-000-0	BEAD COIL 1.4UH
PL1.4	072-20141-000-0	BEAD COIL 100UH
L7.8	075-10082-200-0	INDUCTANCE 1UH K M
PY1.2	076-02422-010-0	RELAY OSA-SH-224DM3M
	090-00007-020-0	DIODE 1N4004 SILTEK T
PD14.22	090-00030-000-0	DIODE H16C40C MOSPEC
PD2.2A	090-00031-000-0	DIODE HER103
PD13.13A.21.21A	090-00047-000-0	DIODE F08A20
PD3.3A.11.11A.19.19A.30 .30A	090-02004-000-0	DIODE 1N4935 T
PQ13.14.16.17.21.21A.22. 22A.PQ23.23A	120-00008-600-0	TRN 2SC5200-O DIP(TO) 100
PQ43	120-00009-500-0	TRN 2SC4793-M DIP(TO) 500
PQ11.19.19A.31.31A.32. 32A	120-00011-700-0	TRAN 2SC3468
PQ12.20.20A.30	120-00011-800-0	TRAN. 2SC4883A
PQ25.25A.26.26A.28.29.35 .36.27.27A	121-00006-000-0	TRP 2SA1943-O DIP(TO) 100
PQ8.8A.10.10A.33.33A.37.	121-00009-100-0	TRAN 2SA1371
PQ15.24.24A.34	121-00009-700-0	TRAN. 2SA1859A
PU1	160-00001-219-0	IC 7812 DIP (ST) 400
PU4	160-00002-909-0	IC ST7915 TO-220-D(ST)
PU2.5	160-00004-114-0	IC 7805 DIP(ST) 400
PU3	160-00005-909-0	IC ST7815 TO-220-D(ST) DIP
TS1	210-10090-001-0	TMP/SW US-602SXRFC
CNN10	211-10021-150-0	2P WAFER/S 5267 A2505 WV P=2.5MM
CNN4	211-10021-161-0	2P WAFER/S TJC3-2A P=2.5MM
CNN5	211-10044-040-0	4P WAFER/S A3963WV2-4P
CNN1	211-10064-000-0	6P WAFER/S 396106 180
CNN2	211-10101-080-0	10P WAFER/S 2532-10 180
CNN7	211-10151-090-0	15P WAFER/S 2532-15 P=2.5MM

Ref.	Phonic Part No.	Specifications
PR3.3A.4.4A.32.32A.46.46A	006-10002-440-0	MF RES. 100 F 0.25W T
PR26.26A.42.42A.79.83-85.89.94	006-10022-440-0	MF RES. 10K F 0.25W T
PR10.10A	006-10032-440-0	MF RES. 100K F 0.25W T
PR96.97	006-10072-420-0	MF RES. 10F 0.25W M
PR17.27.27A.56.56A.65	006-15002-420-0	MF RES. 150 F 0.25W M
PR91	006-15022-440-0	MF RES. 15K F 0.25W T
PR81.82	006-15032-410-0	MF RES. 150K F 0.25W P
PR1.1A	006-20012-420-0	MF RES. 2K F 0.25W T
PR29.29A.43.43A.75.78	006-22002-440-0	MF RES. 220 F 0.25W T
PR15.64.80	006-22012-440-0	MF RES 2K2 F 0.25W T
PR2.2A.5.5A.90	006-22022-440-0	MF RES 22K F 0.25W T
PR14.35.35A.38.38A.49.49A.51.51A.63.41.41A.55.55A	006-22072-440-0	MF RES. 22 F 0.25W T
PR16.19.22-24.67.68.70-72.76.77	006-22082-440-0	MF RES. 2.2 F 0.25W T
PR95.95A	006-27012-440-0	MF RES. 2.7K F 0.25W T
PR7.7A.30.30A.44.44A.59.59A	006-33002-440-0	MF RES. 330 F 0.25W T
PR98	006-33012-440-0	MF RES. 3K3 F 0.25W T
PR33.33A.36.36A.47.47A.50.50A.39.39A.53.53A	006-33072-440-0	MF RES. 33 F 0.25W T
PR11.11A.12.12A.60.60A.61.61A	006-47022-440-0	MF RES. 47K F 0.25W T
PR21.73.92.93	006-47082-440-0	MF RES. 4.7 F 0.25W T
PR6.6A.8.8A.28.28A.57.57A.58.58A	006-56002-420-0	MF RES. 560 F 0.25W M
PR13.62	006-56012-440-0	MF RES. 5K6 F 0.25W T
PR25.74	006-68002-440-0	MF RES. 680 F 0.25W T
PR86	006-68022-420-0	MF RES. 68K F 0.25W M
PC25	030-10638-0A0-0	E/C 10MF Z 25V 5*11 T
PC14.14A.21.21A.26.34-41	030-10668-0A0-0	E/C 10MF Z 63V 5*11 T
PC6.6A.7.8.12.18.18A.25	030-225C5-0A0-0	E/C 2.2UF K 200V
PC42-44	030-47586-200-0	E/C 4.7MF M 100V 5*11 P
PC1.1A	032-10728-000-0	NP E/C 100MF Z 16V 8*13 P
PC27	032-47626-000-0	NP E/C 47MF M 16V 8*13 P
PC9.9A.19.19A	042-10085-000-0	C/C2 10PF K 500V
PC11.17.17A.20	042-101A6-050-0	C/C2 100PF M 250V 5 T
PC3.3A.4.4A	042-10225-050-0	C/C2 0.001MF K 50V 5 T

Ref.	Phonic Part No.	Specifications
PC5.5A	042-10325-050-0	C/C2 0.01MF K 50V T
PC15.15A.16.16A	042-22225-050-0	C/C2 0.0022MF K 50V 5 T
PC13.24	042-222A5-050-0	C/C2 0.0022UF 250V K
PC2.2A	042-27085-000-0	C/C2 27PF K 500V 5
PC30-33	046-10414-060-0	M/C 0.1MF J 100V 5 T
PZD3	090-01273-010-0	ZEN/DIODE 27V K 0.5W
PZD4	090-01303-010-0	Z/DIODE 30V K 0.5W FAIRCH
PZD5.7	090-01433-010-0	ZEN/DIODE 43V K 0.5W POD615
PZD1.1A.2.2A	090-01562-010-0	Z/DIODE 5V6 K 0.5W FAIRCH
PZD9	090-01752-010-0	ZEN/DIODE 7V5 K 0.5W FAIRCH
PD1.1A.4-9.4A-9A.10.10A. 15.15A.17.17A.23.24.31	090-02000-020-0	DIODE 1N4148 T26MM MINI
PQ4.4A.5.5A.40-42	120-00000-800-0	TRN 2SC1815 GR TO-92-D REEL(TO)
PQ3.3A.7.7A	120-00001-010-0	TRN 2SC2240 TO-92-D REEL(TO)
PQ39	121-00000-200-0	TRP 2SA1015GR TO-92-D REEL(TO)
PQ1.1A.2.2A.6.6A.9.9A.38	121-00000-500-0	TRP 2SA970-BL TO-92-D REEL (TO)
	290-01750-201-0	POD865 AMP PCB REV.1
PZD6.8	382-00010-010-0	TINNER WIRE 10MM*D0.6

POWER PCB-PART LIST

Ref.	Phonic Part No.	Specifications
R919.920	003-10093-602-0	CEMEN RE. 0.1 J 5W
R940	003-15073-602-0	CEMENT RES. 15 J 5W
R912.928	003-20023-602-0	CEMENT RES. 20K J 5W
R907	006-10012-440-0	MF RES. 1K F 0.25W T
R926	006-15074-440-0	MF RES. 15 F 1W T
R930.937	006-33023-420-0	MF RES.33K F 0.5W M
R906.910	006-33072-440-0	MF RES. 33 F 0.25W T
PT903	011-22010-000-0	PTC PTMS2331RP416B16
PT901	011-22010-010-0	PTC PTMS2331RP730B34
PT902	011-22010-020-0	PTC PTL52101RP816B
NTCS1	012-10020-010-0	NTC THER. N20SP010L
C921	030-10846-000-0	E/C 1000MF M 35V 10*21 T
C915.916.918.919	030-188C6-000-0	E/C 1800UF 200V P
C923.924.933.934	030-22798-200-0	E/C 220UF 160V Z 16*35H
C932.935.936.938.939	030-47758-001-0	E/C 470MF Z 50V 13*21 P
□□R921	042-10144-050-0	C/C2 100PF J 100V 5T
C976	042-222A5-050-0	C/C2 0.0022UF 250V K
C922	051-10545-000-0	MP/C 1MF K 400V PMM
C941.945	051-22435-000-0	MP/C 0.22UF K 250V
C925.926	058-10226-000-0	LINE/C 0.001UF M 250V Y2
C943	058-47236-001-0	LINE/C 0.0047MF M 400V
T904	070-2086B-800-0	X'MER 115/230V K-12
T903	070-2091B-800-0	X'MER POD1860□
L910-913	072-20138-000-0	BEAD COIL 1119
K901	076-02411-020-0	RELAY SDT-S-124DMR OEG
D930	090-00003-000-0	DIODE 1N4007 SILITEK
D901.906	090-00007-020-0	DIODE 1N4004 SILTEK T
D902	090-00026-000-0	DIODE HER107 (1A/800V)
D916	090-00030-000-0	DIODE H16C40C MOSPEC
D903.909.921.923- 927.929.932	090-00031-000-0	DIODE HER103
D922	090-00032-000-0	DIODE H16C40A MOSPEC
D905.911	090-00037-000-0	DIODE HER308
D913	090-10017-000-0	B/DIODE KBJ2506
Q901.904	120-00010-600-0	TRAN. 2SC2655Y TOSHIBA
Q913	120-00012-800-0	TRAN. 2SD2012 TOSHIBA
Q903.907	121-00008-400-0	TRAN. 2SA1020Y TOSHIBA
Q902.905	122-00002-700-0	MOSFET IRG4PC50W IR
U902	160-00005-909-0	IC ST7815 TO-220-D(ST) DIP
OC901	160-00010-501-0	IC 4N35 LI
U901	160-00026-400-0	IC IR2153D IR

Ref.	Phonic Part No.	Specifications
JK1001-1005	211-01602-560-0	6D4/J YLJ-6405-300 (NUT&WASHER)
JK1006.1007	211-03400-021-0	SPEAKON/J SVP563S-CH
FS902.903.904.905	281-00000-020-0	FUSE CLIP FH-1206
R945	006-10002-440-0	MF RES. 100 F 0.25W T
R911	006-10012-440-0	MF RES. 1K F 0.25W T
R905.914.936.938.939	006-10022-440-0	MF RES. 10K F 0.25W T
R944	006-10032-440-0	MF RES. 100K F 0.25W T
R925	006-10042-440-0	MF RES 1M F 0.25W
R913.918.934	006-10082-440-0	MF RES. 1 F 0.25W T
R908.917.923	006-18022-440-0	MF RES. 18K F 0.25W T
R941	006-20012-420-0	MF RES. 2K F 0.25W T
R903	006-33012-440-0	MF RES. 3K3 F 0.25W T
R921	006-33022-440-0	MF RES. 33K F 0.25W T
R904	006-33072-440-0	MF RES. 33 F 0.25W T
R942	006-39012-420-0	MF RES. 3K9 F 0.25W M
R922	006-39022-440-0	MF RES. 39K F 0.25W T
R915	006-47022-440-0	MF RES. 47K F 0.25W T
R909	006-51012-440-0	MF RES 5K1 F 0.25W T
R946.948	006-56012-440-0	MF RES. 5K6 F 0.25W T
R916.924	006-68012-440-0	MF RES. 6K8 F 0.25W T
R947	006-82002-440-0	MF RES. 820 F 0.25W T
C909.910.917	030-10638-0A0-0	E/C 10MF Z 25V 5*11 T
C942	030-10656-2A0-0	E/C 10MF M 50V 5*11T
C947	030-10736-0A0-0	E/C 100MF M 25V 8*11 T
C913	030-22638-0A0-0	E/C 22MF Z 25V 5*11 T
C927	030-47558-0A0-0	E/C 4.7MF Z 50V 5*11 T
C940.937	030-47586-200-0	E/C 4.7MF M 100V 5*11 P
C908	051-102C4-000-0	MP/C 0.001MF J 63V P
C911	051-103C5-000-0	MP/C 0.01MF K 63V T (ESK063S10JA)
C907.909.912.914.944	051-104C5-000-0	MP/C 0.1MF K 63V T(ESK063P10JA) PP
C920	051-224C5-000-0	MP/C 0.22MF K 63V T (ESK063P22JA)
D928	090-01123-000-0	ZEN/DIODE 12V J 0.5W UNIZON POD/XP/ MAX
D919	090-01622-000-0	ZENER DIODE 6.2V J 0.5W T
D931	090-01622-000-0	ZENER DIODE 6.2V J 0.5W T
D910.914.915	090-02000-020-0	DIODE 1N4148 T26MM MINI
Q908.910.912.914	120-00000-800-0	TRN 2SC1815 GR TO-92-D REEL(TO)
Q906.909	121-00000-200-0	TRP 2SA1015GR TO-92-D REEL(TO)
	290-01750-301-0	POD865 POWER PCB REV.1
C902.903	058-47485-000-0	LINE/C 0.47UF K 300V

POWER REQUIREMENT CLASSIFICATION

Ref.	Phonic Part No.	Specifications
IEC		
FS901	280-12365-000-0	FUSE T12A 250V 20mm VDE/UL/CSA
FS902.903.904	280-2026B-000-0	FUSE T5A 250V
FS905	280-80266-001-0	FUSE T8A/250V UL VDE
	370-15640-921-6	P/CORD 230V 10A 6T 3P
T903	070-2093B-800-0	X`MER 400W
UL		
FS901	280-12365-000-0	FUSE T12A 250V 20mm VDE/UL/CSA
FS902.903.904	280-2026B-000-0	FUSE T5A 250V
FS905	280-80266-001-0	FUSE T8A/250V UL VDE
	370-11010-821-0	P/CORD 240V10A 6F 3P SAA SVT
T903	070-2093B-800-0	X`MER 400W
SA		
FS901	280-12365-000-0	FUSE T12A 250V 20mm VDE/UL/CSA
FS902.903.904	280-2026B-000-0	FUSE T5A 250V
FS905	280-80266-001-0	FUSE T8A/250V UL VDE
	370-08040-721-0	P/CORD 120V 10A 6F 3PUL/CSA
T903	070-2093B-800-0	X`MER 400W
SAA		
FS901	280-12365-000-0	FUSE T12A 250V 20mm VDE/UL/CSA
FS902.903.904	280-2026B-000-0	FUSE T5A 250V
FS905	280-80266-001-0	FUSE T8A/250V UL VDE
	370-11010-821-0	P/CORD 240V10A 6F 3P SAA SVT
T903	070-2093B-800-0	X`MER 400W
JIS		
FS901	280-12365-000-0	FUSE T12A 250V 20mm VDE/UL/CSA
FS902.903.904	280-2026B-000-0	FUSE T5A 250V
FS905	280-80266-001-0	FUSE T8A/250V UL VDE
	370-16610-629-0	P/CORD 100V 15A 6F 3P JIS
T903	070-20930-600-0	X`MER POD1860 DELUXE JIS
BS		
FS901	280-12365-000-0	FUSE T12A 250V 20mm VDE/UL/CSA
FS902.903.904	280-2026B-000-0	FUSE T5A 250V
FS905	280-80266-001-0	FUSE T8A/250V UL VDE
	370-01010-921-0	P/CORD 240V 10A 6F 3P
T903	070-2093B-800-0	X`MER 400W

PHONIC

WWW.PHONIC.COM