

# K16

Integrated Mobile Sound System

## SERVICE MANUAL

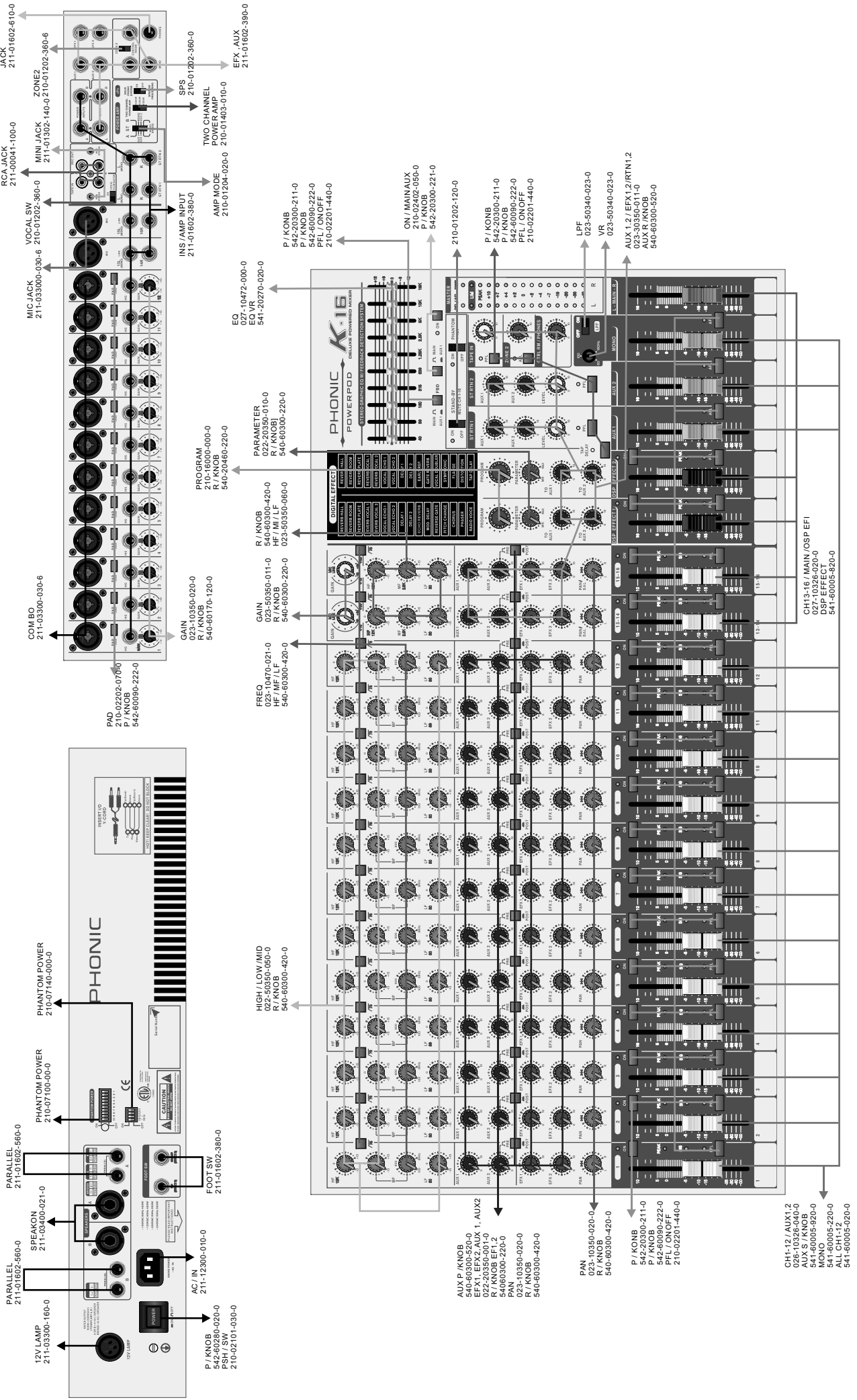


# K16 SERVICE MANUAL

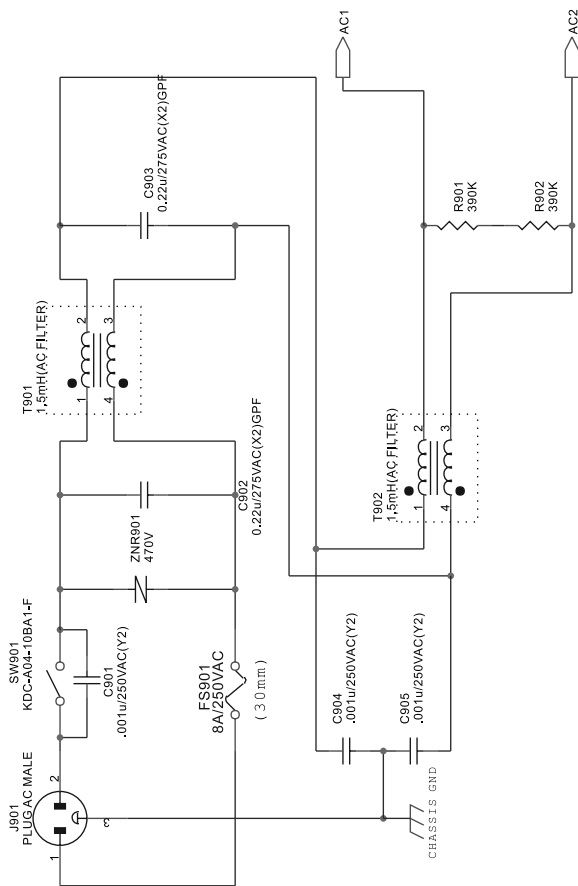
## CONTENTS

**PAGE**

PANEL LAYOUT .....	3
AC .....	4
AMP L .....	5
AMP R.....	6
CTL ROOM .....	7
CH 1 .....	8
CH 2 .....	9
CH 3 .....	10
CH 4 .....	11
CH 5 .....	12
CH 6 .....	13
CH 7 .....	14
CH 8 .....	15
CH 9 .....	16
CH 10 .....	17
CH 11 .....	18
CH 12 .....	19
CH 13_14 .....	20
CH 15_16 .....	21
DISPLAY .....	22
DSP .....	23
DSP CTL 1 .....	24
DSP CTL 2 .....	25
EFFECT.....	26
FEED BACK.....	27
GEQ.....	28
MAIN .....	29
MASTER .....	30
POWER.....	31
POWER 1 .....	32
REC PHANTOM.....	33
RTN .....	34
TAPE .....	35
BLOCK.....	36
 BOM	
MISCELLANEOUS .....	37
DSP PCB.....	40
DSP PCB-PART LIST .....	42
REAR PCB.....	44
EQ PCB.....	45
INPUT PCB .....	47
MAST PCB.....	51
AMP PCB.....	58
POD885 CLASSIFICATION.....	61

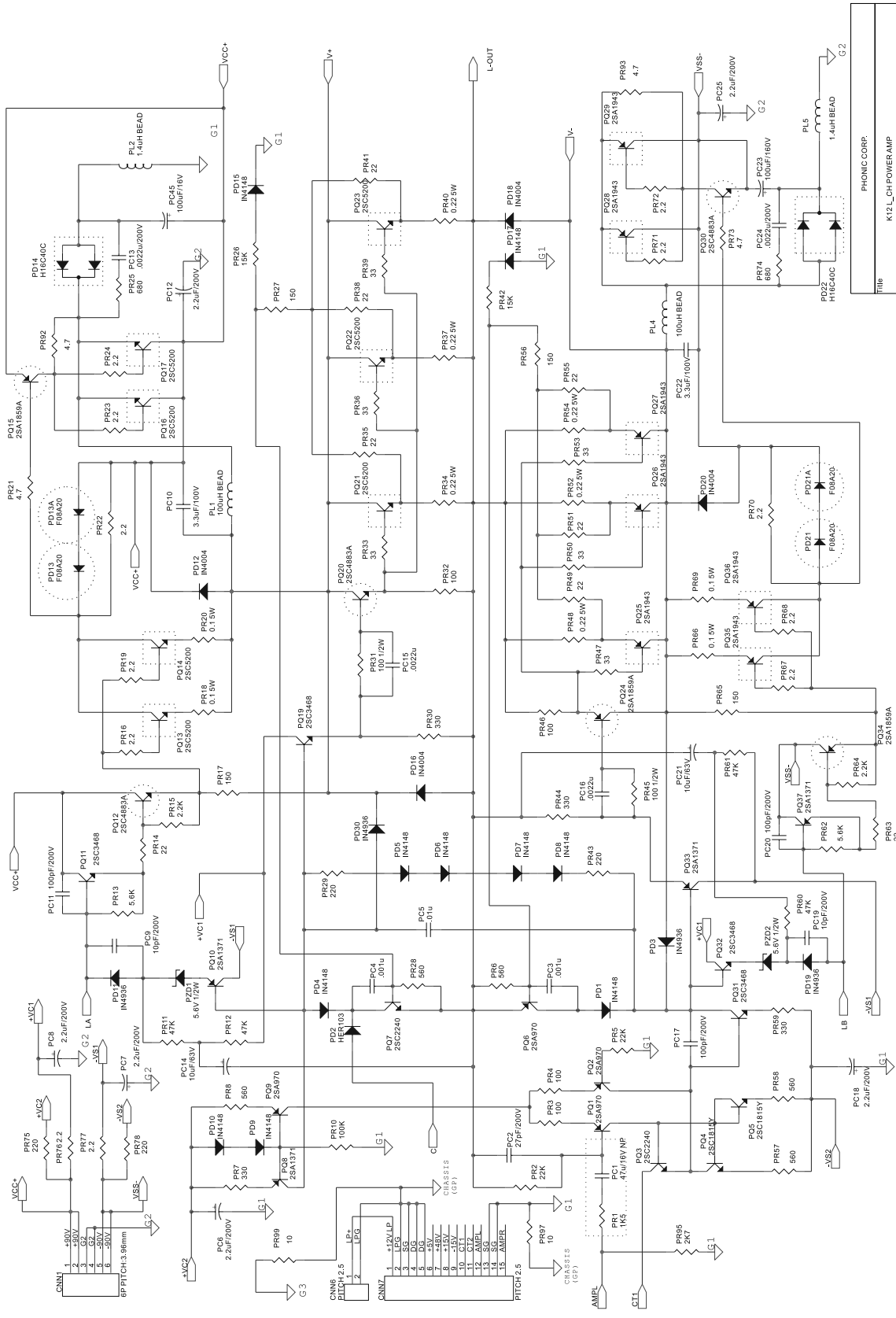


AC



Title		PHONIC CORP.	
Size		A4	
Document Number		AC.SCH	
Date		Friday, December 03, 2004	
Sheet	33	of	34
Rev	A		

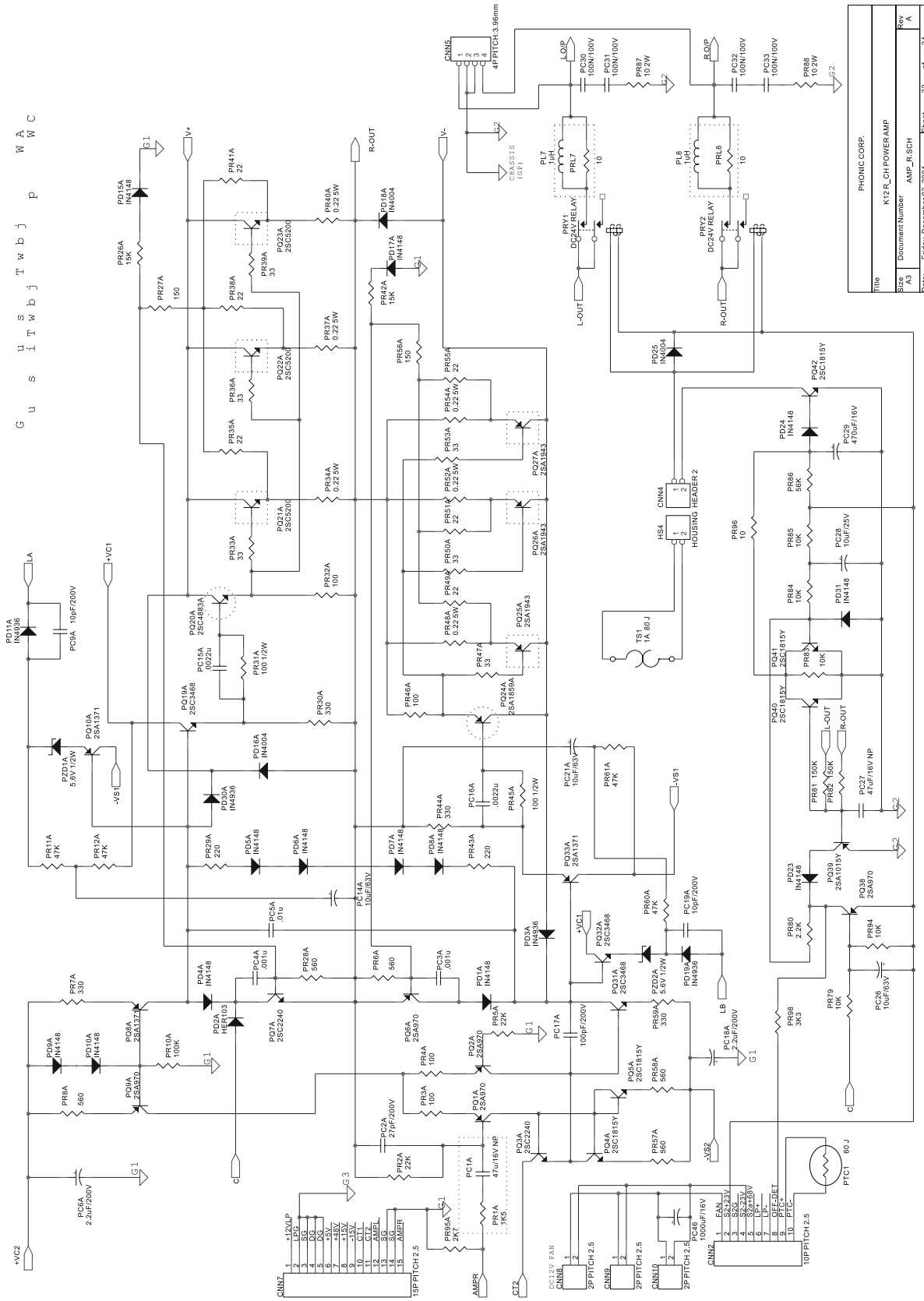
AMPL



Title	PHONIC CORR.
Sheet	K16_CH-POWER-AMP
Doc Number	AMP_L-SCH
Rev	A
Date	Friday, December 03, 2004
Sheet	31 of 34

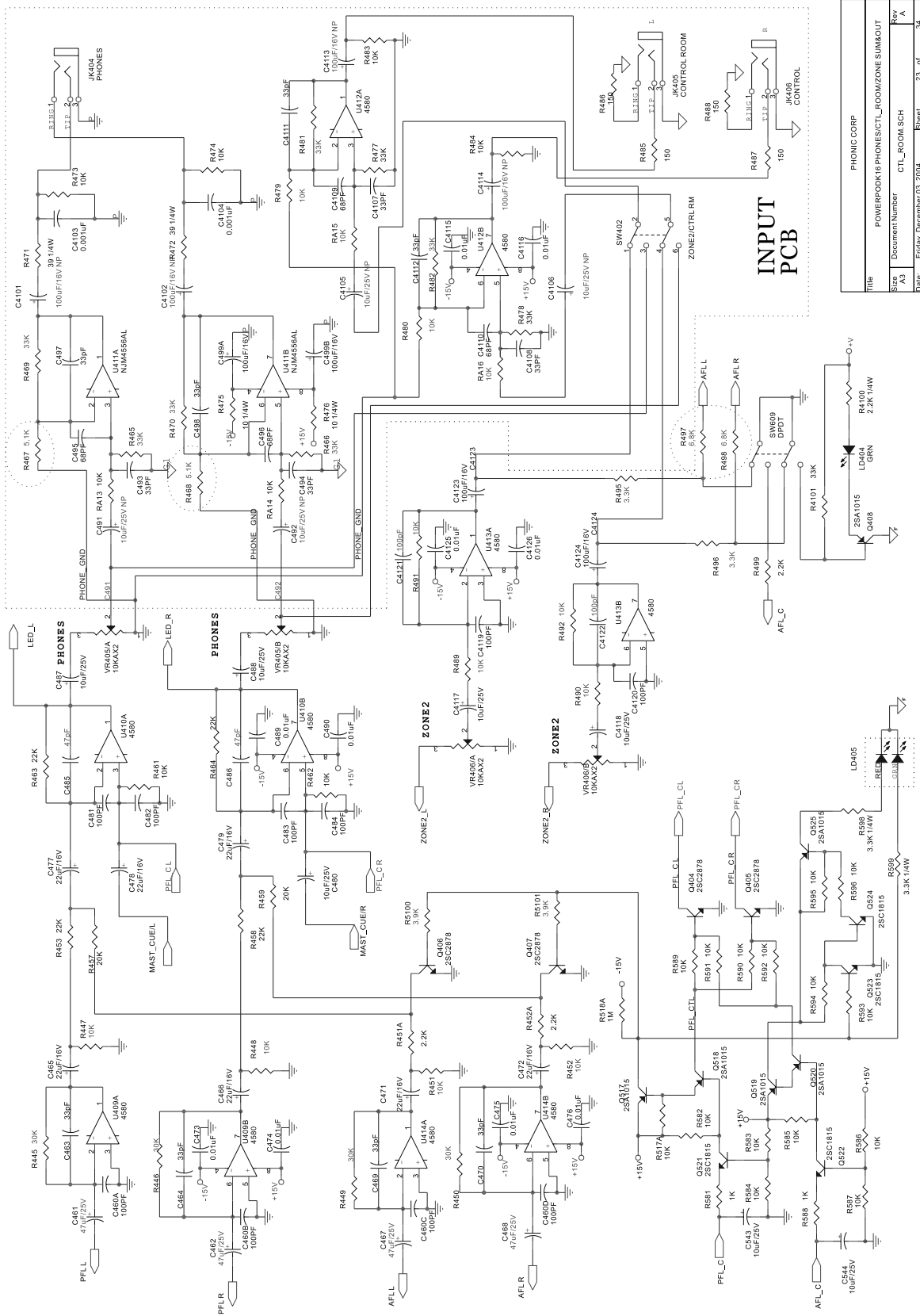
AMP R

G u s i t w b j T w b j p W A W C



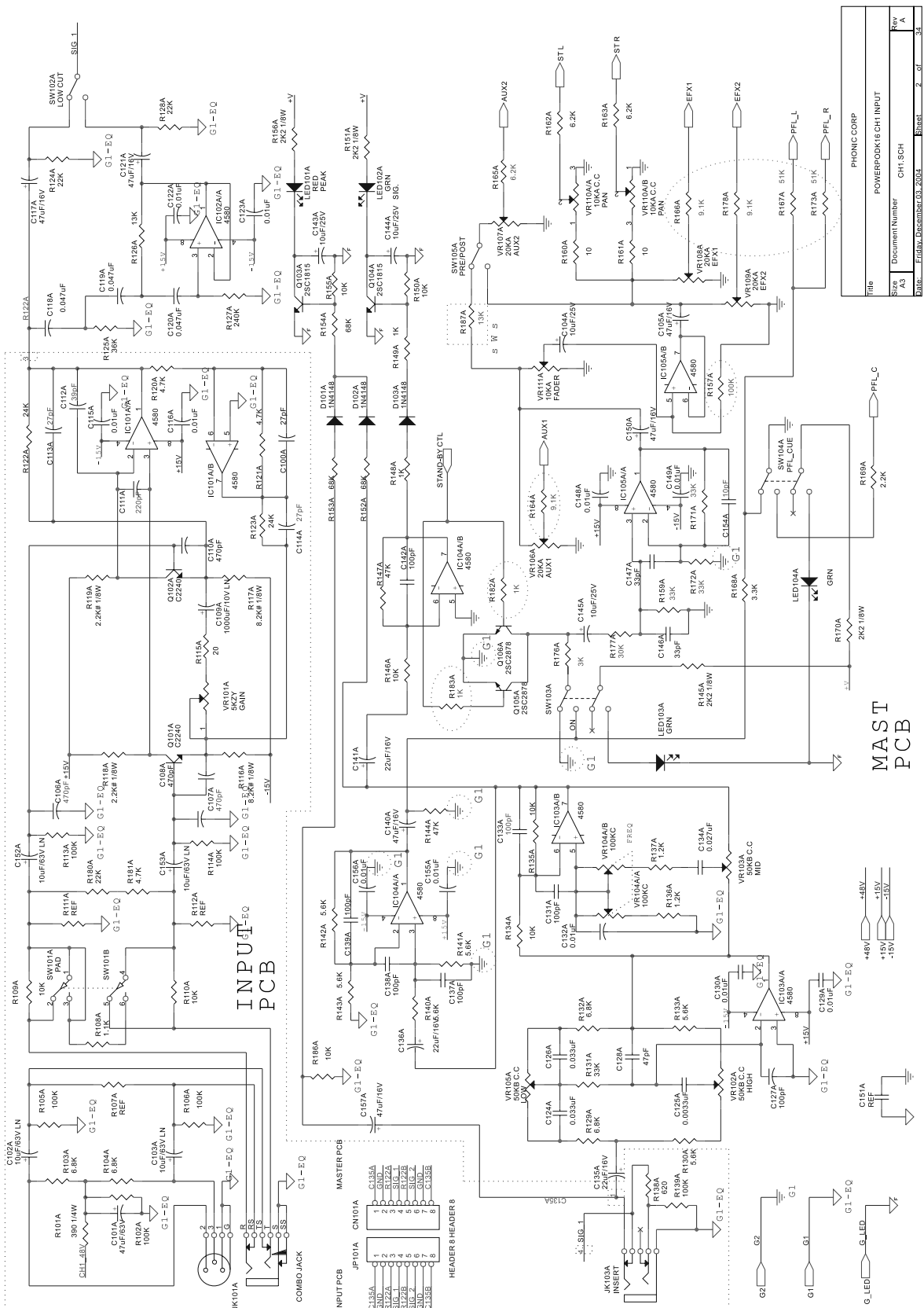
Title	PHONIC CORP.		
Size	K12 FL CH POWER AMP		
Doc Number	AMP_R.SCH		
Date	Friday, December 03, 2004	Sheet	32 of 34
Rev	A		

CTL ROOM



File	PHONIC CORP
Size	POWERPODK (6 PHONES) CTL_ROOM_ZONE SUM&OUT
Doc Number	CTL_ROOM.SCH
Sheet	23 of 34

CH 1

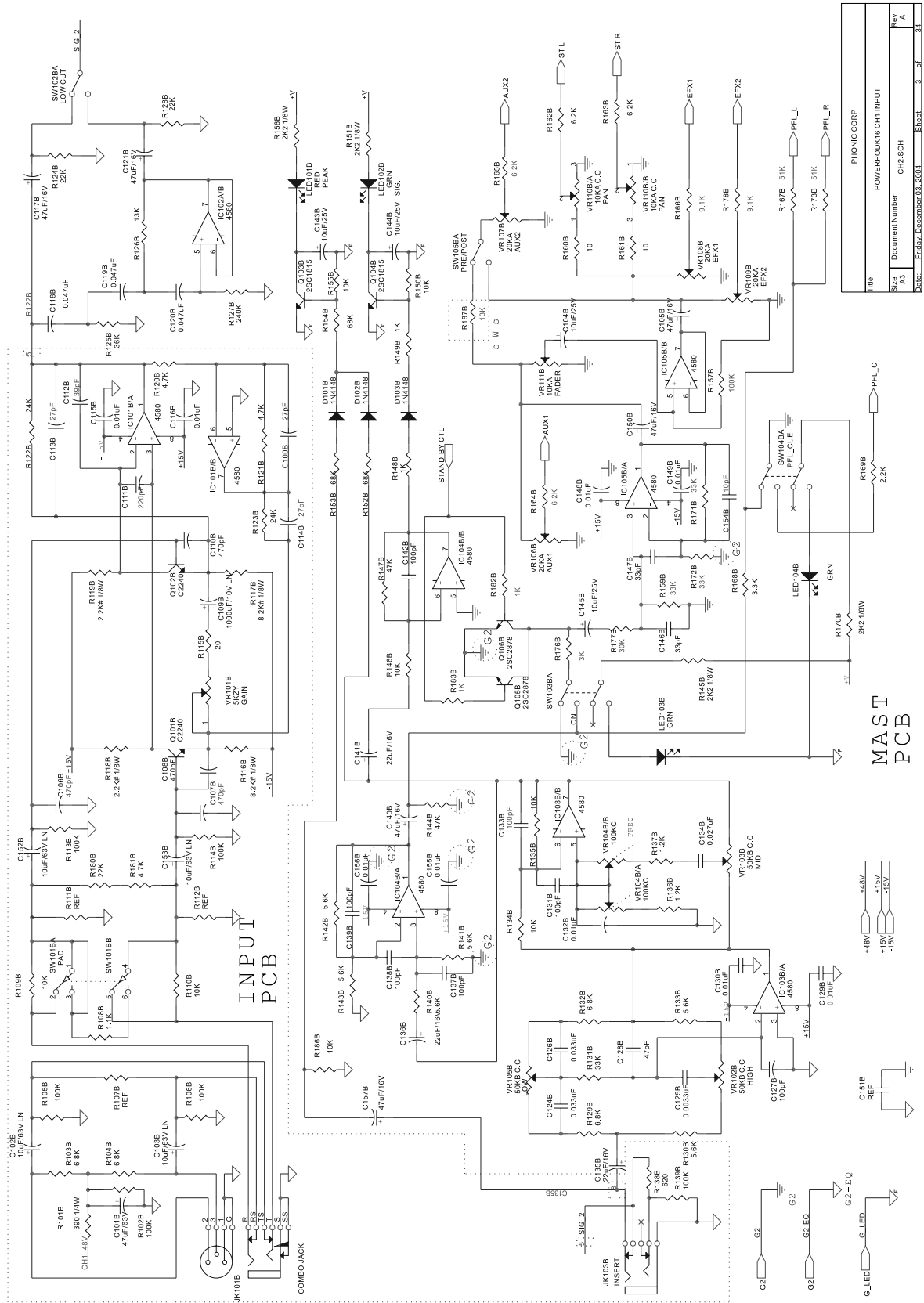


MAST PCB

Title	PHONIC CORP.
Doc Number	POWERPODK16 CH1 INPUT
Rev	Rev A
Date	Friday, December 03, 2004
Sheet	2 of 3



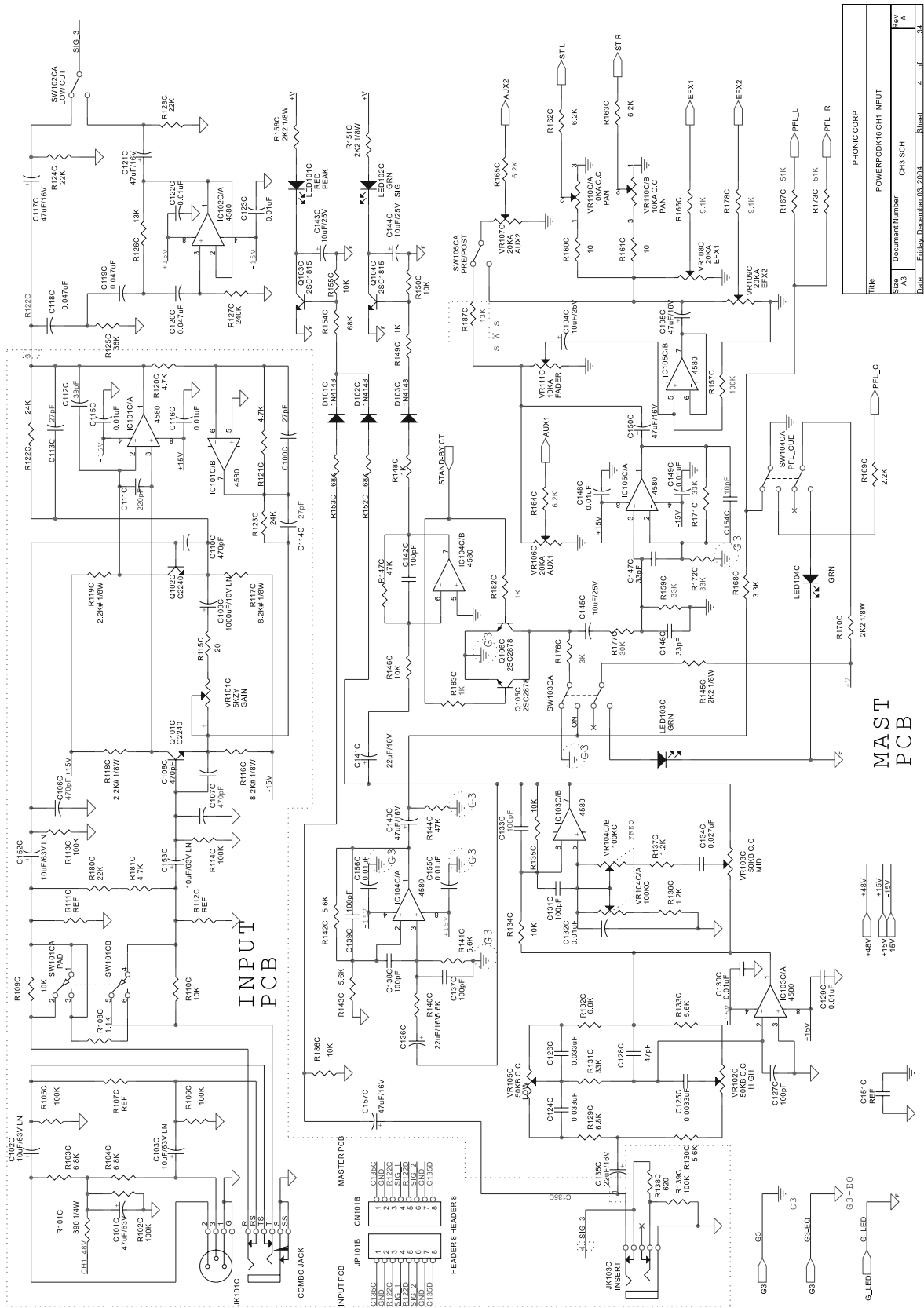
CH 2



MAST PCB

Title	PHONIC CORP
Size	POWERPODK16 CH1 INPUT
Document Number	CH2.SCH
Rev	A
Date	Friday, December 03, 2004
Sheet	3 of 34

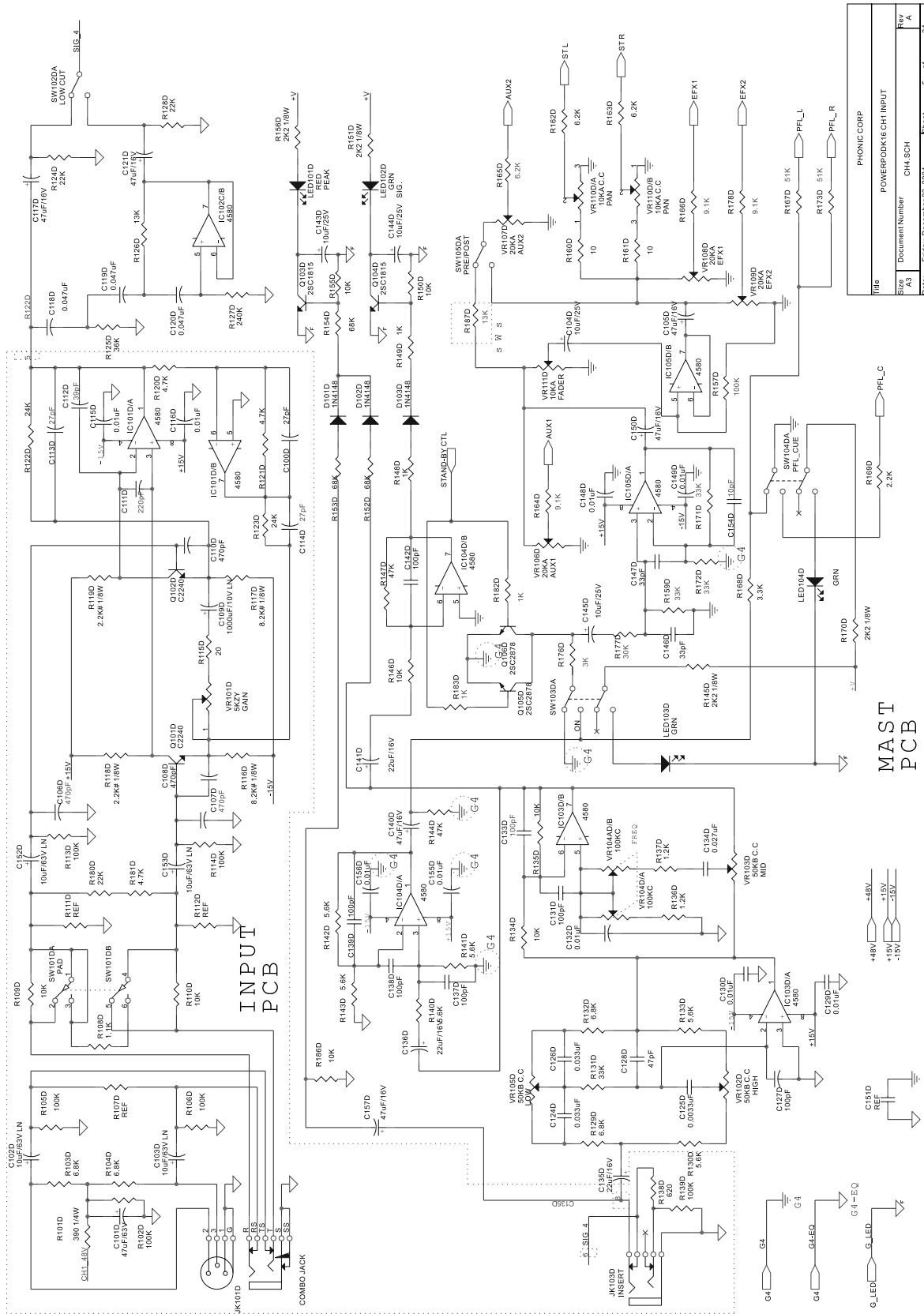
CH 3



MAST PCB

Rev	A
Doc Number	CH3.SCH
Date	Friday, December 03, 2004
Sheet	4 of 34

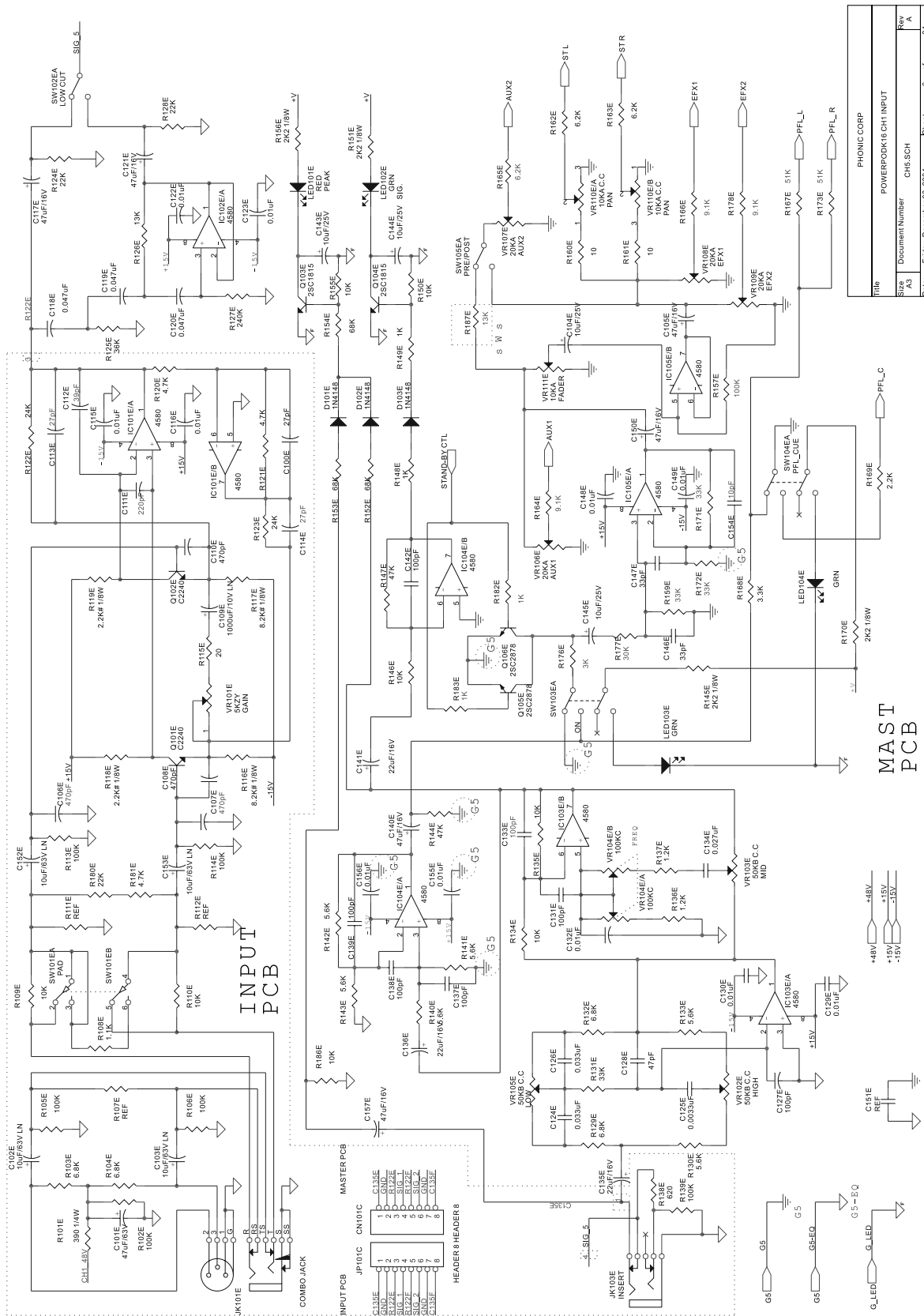
CH 4



MAST PCB

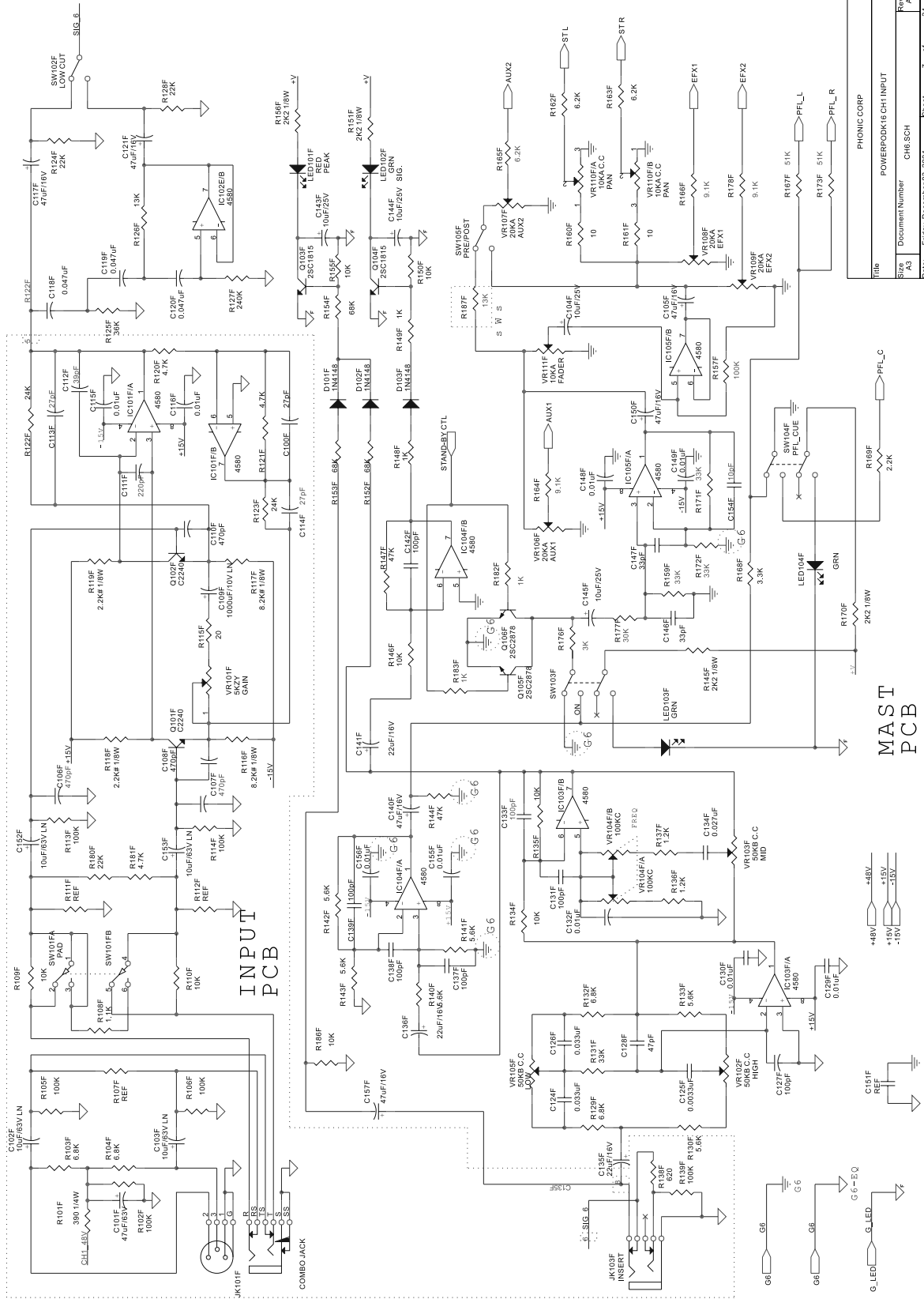
File	PHONIC.CORP
Doc No	POWERPODK18CH1 INPUT
Rev	CH4.SCH
Rev A	Rev A
Rev B	Rev B
Rev C	Rev C
Rev D	Rev D
Rev E	Rev E
Rev F	Rev F
Rev G	Rev G
Rev H	Rev H
Rev I	Rev I
Rev J	Rev J
Rev K	Rev K
Rev L	Rev L
Rev M	Rev M
Rev N	Rev N
Rev O	Rev O
Rev P	Rev P
Rev Q	Rev Q
Rev R	Rev R
Rev S	Rev S
Rev T	Rev T
Rev U	Rev U
Rev V	Rev V
Rev W	Rev W
Rev X	Rev X
Rev Y	Rev Y
Rev Z	Rev Z

CH 5



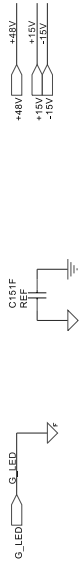
MAST PCB

Rev	A
Doc Number	CH5 SCH
Sheet	6 of 34
Date	Friday, December 03, 2009

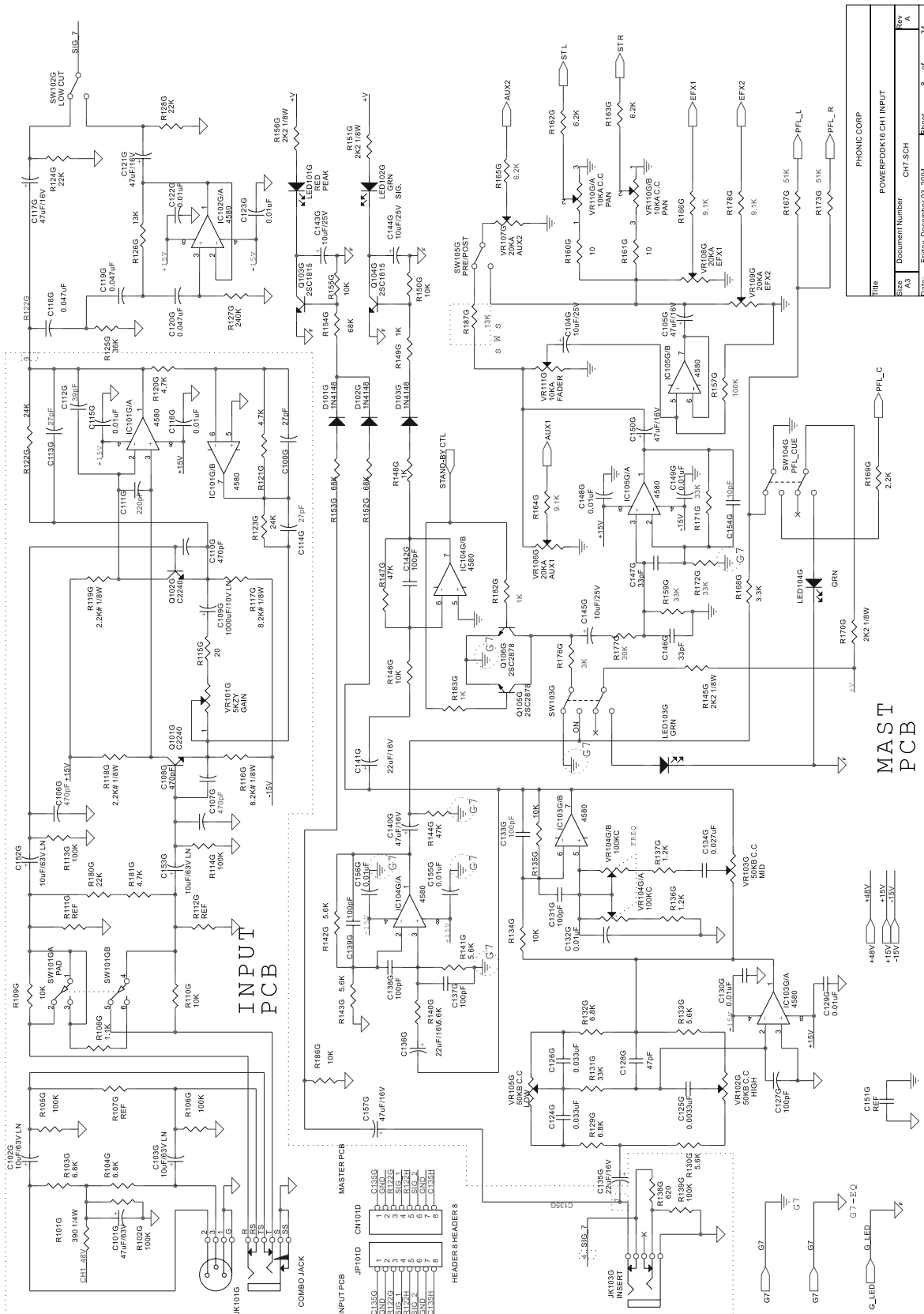


PHONIC CORP	
Title	POWERPODK16 CH1 INPUT
Sheet	CH6.SCH
Doc Number	CH6.SCH
Rev	A
Date	2004.03.20
Sheet	7 of 38

MAST PCB

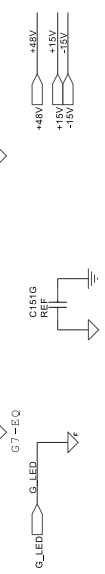


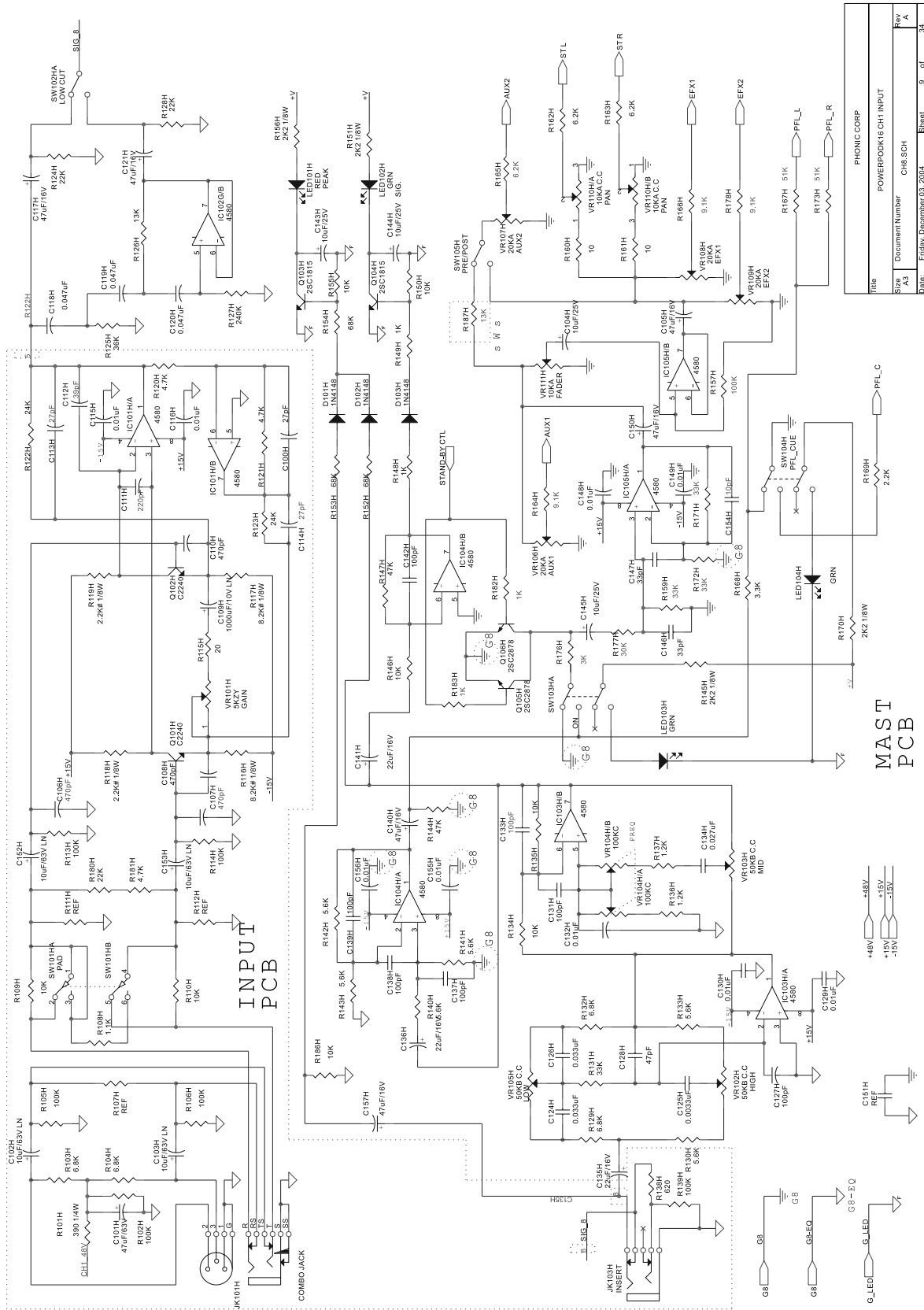
CH 7



Title	PHONIC CORP
Size	POWERPODK ICH1 INPUT
Document Number	CH7.SCH
Date	Friday, December 03, 2004
Sheet	8 of 34

MAST PCB

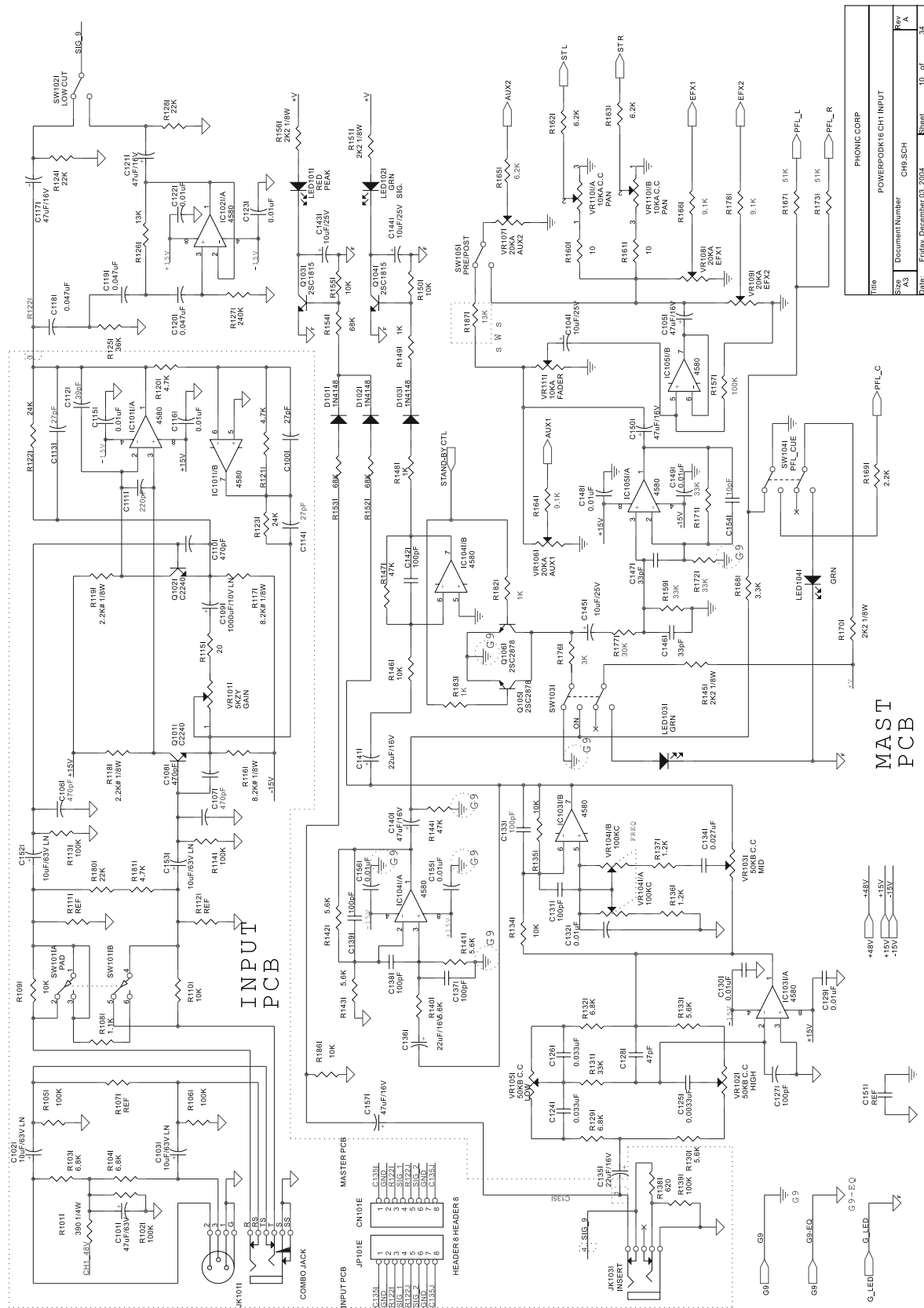




MAST PCB

File	PHONIC CORP
Size	POWERPOD E CH1 INPUT
Doc Number	CH8.SCH
Rev	A
Date	9-01-03

CH 9

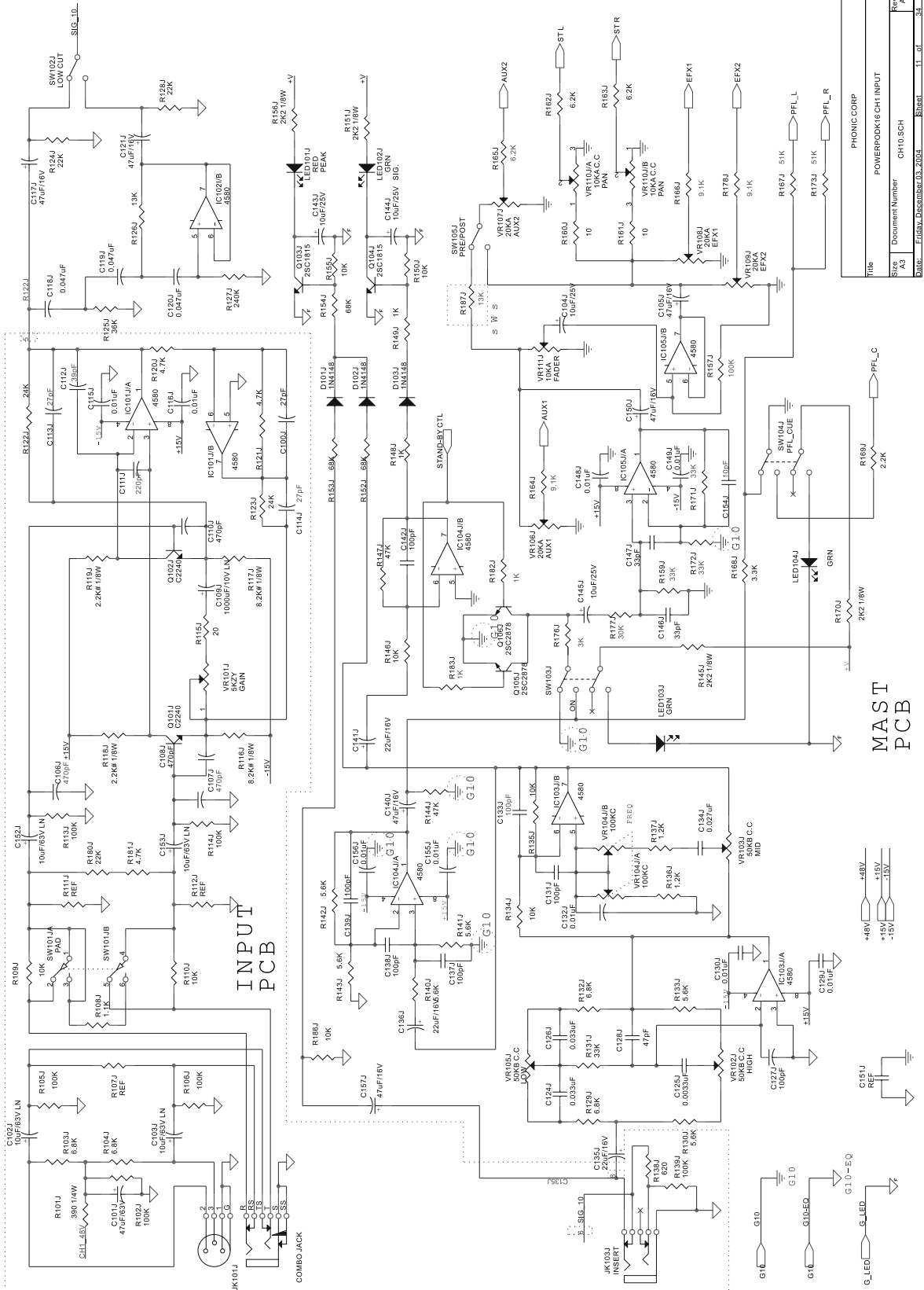


MAST PCB

PHONIC CORP			
Title	Document Number	Rev	of
POWERPODK16 CH1 INPUT	CH9.SCH	A	34
Size	File	Date	10 of 34
A3	Edwin.Ducanar.03.2004	Street	10 of 34



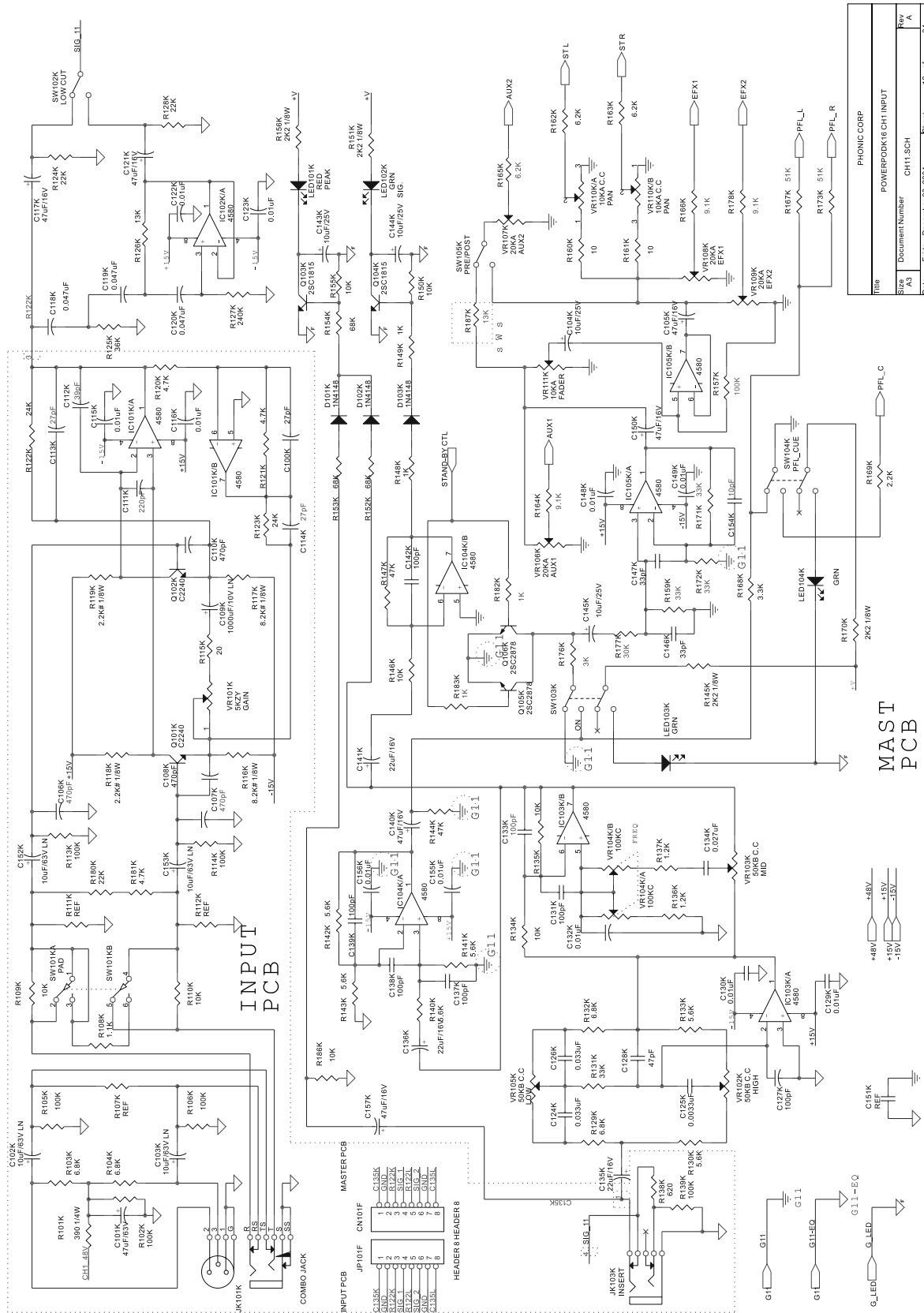
CH 10



PHONIC CORP
POWERPODK16 CH1 INPUT
CH10 SCH
Rev. A

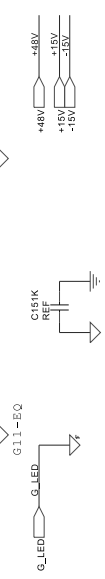
MAST PCB

CH 11

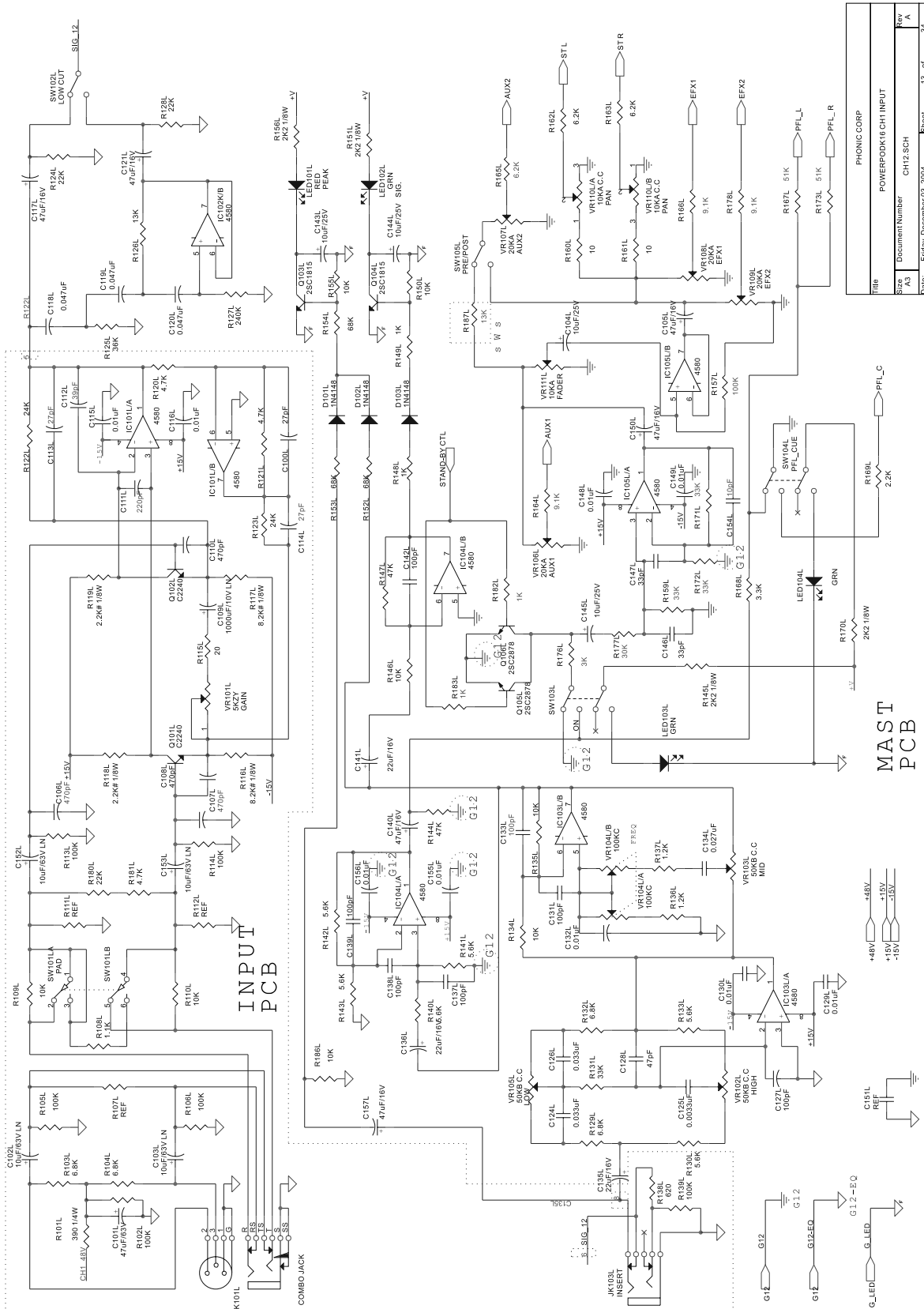


Part	PHONIC CORP
Doc No	POWERPODK16 CH1 INPUT
Size	CH11 SCH
Rev	A
Date	Friday, December 03, 2004
Sheet	12 of 34

MAST PCB



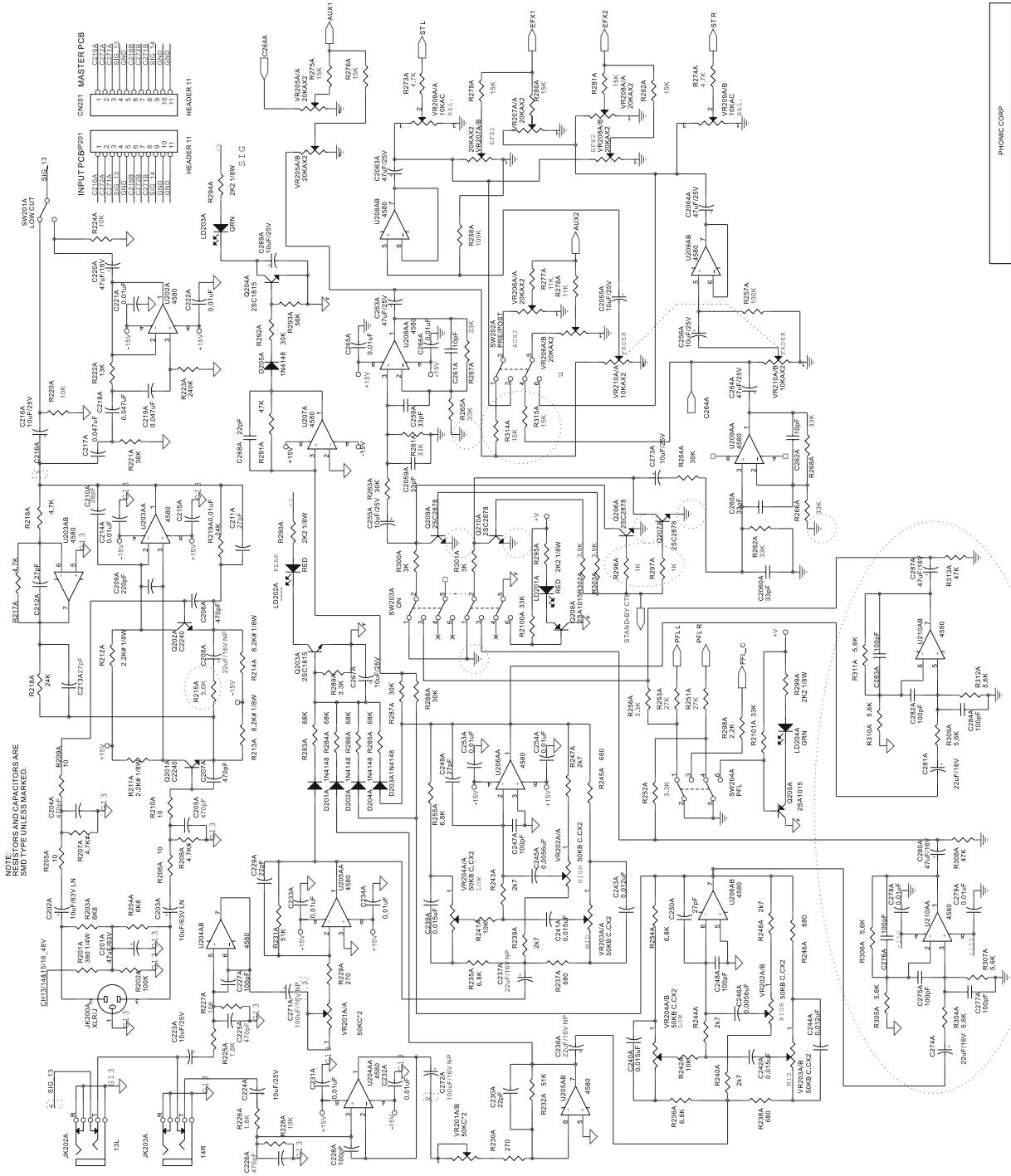
CH 12



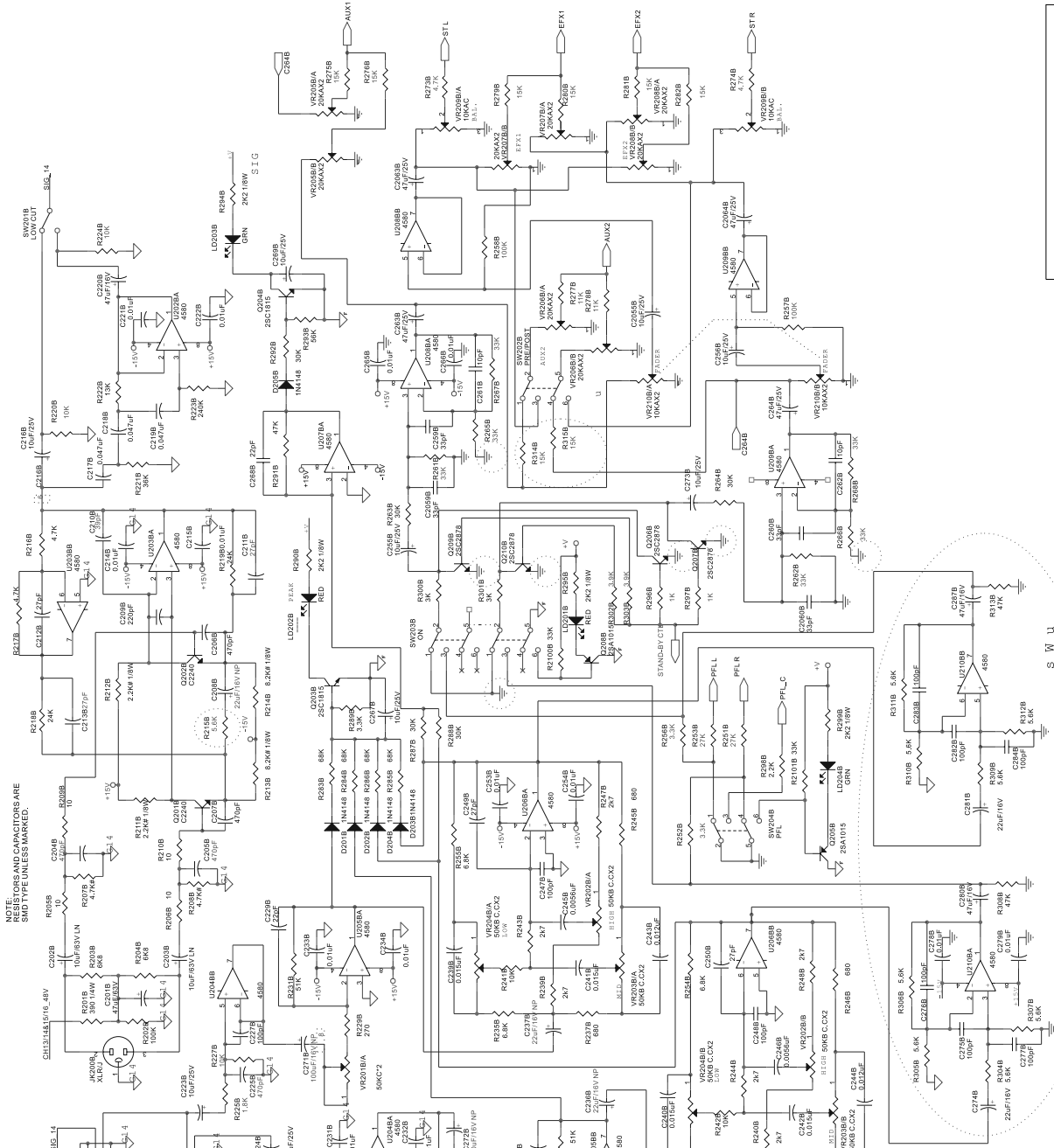
PHONIC CORP	
Title	POWERPODKITCH INPUT
Size	Document Number CH12.SCH
Date	Friday, December 03, 2004
Sheet	13 of 34

MAST  
PCB

CH 13\_14



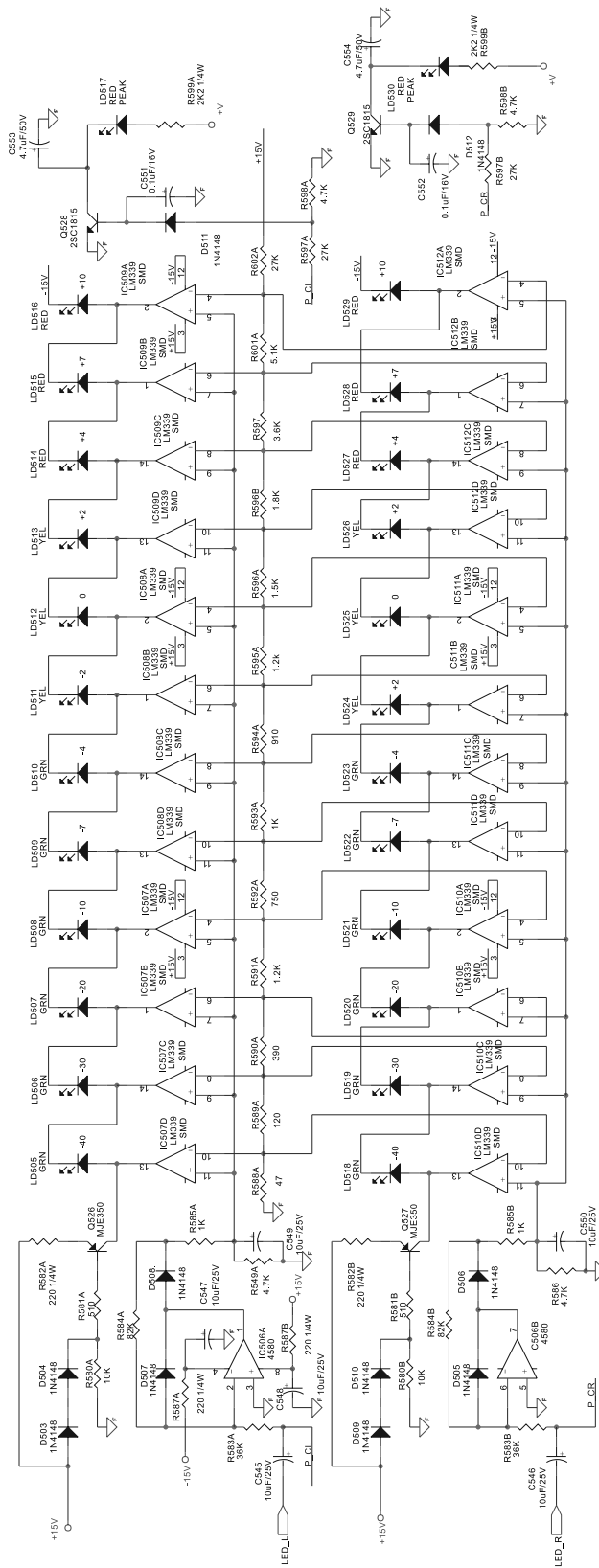
Rev	PHONIC CORP
Doc Number	POWERPOK16CH13/14 INPUT
Client	CH13_14 SCH
Date	Friday, December 03, 2009 11:01 AM



NOTE: RESISTORS AND CAPACITORS ARE SMD TYPE UNLESS MARKED.

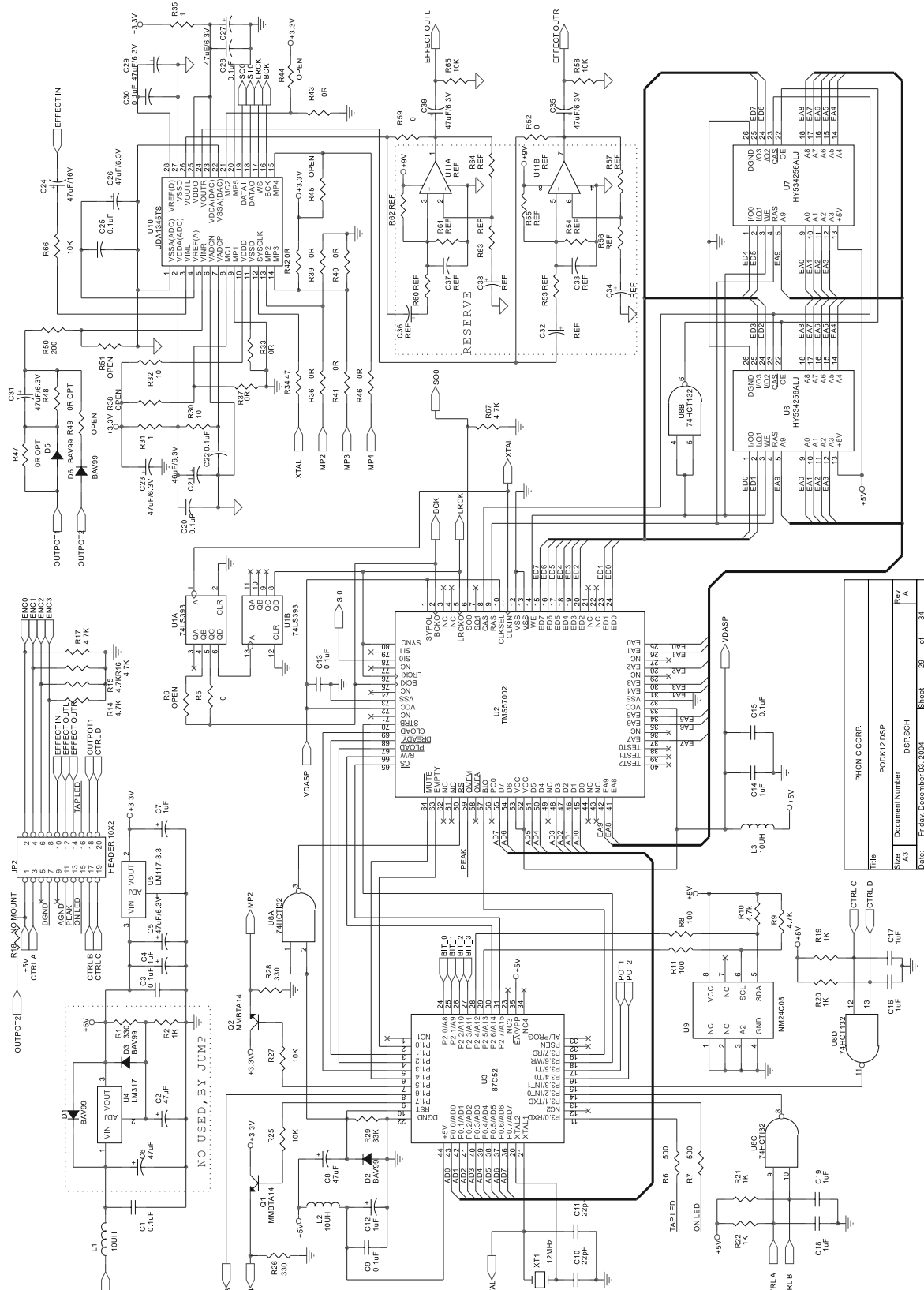
PHONIC CORP.	
File	POWERPDK16 CH15/INPUT
Size	Document Number
Class	CH15_16.SCH
Date	From: December 03, 2004
Sheet	15 of 35

DISPLAY



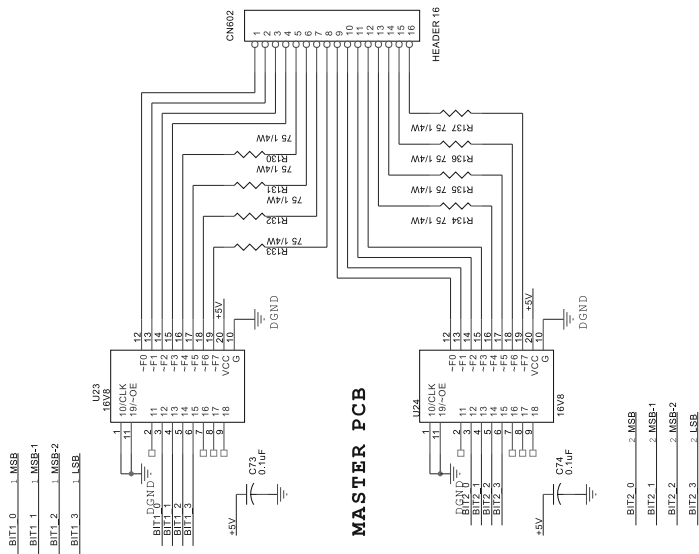
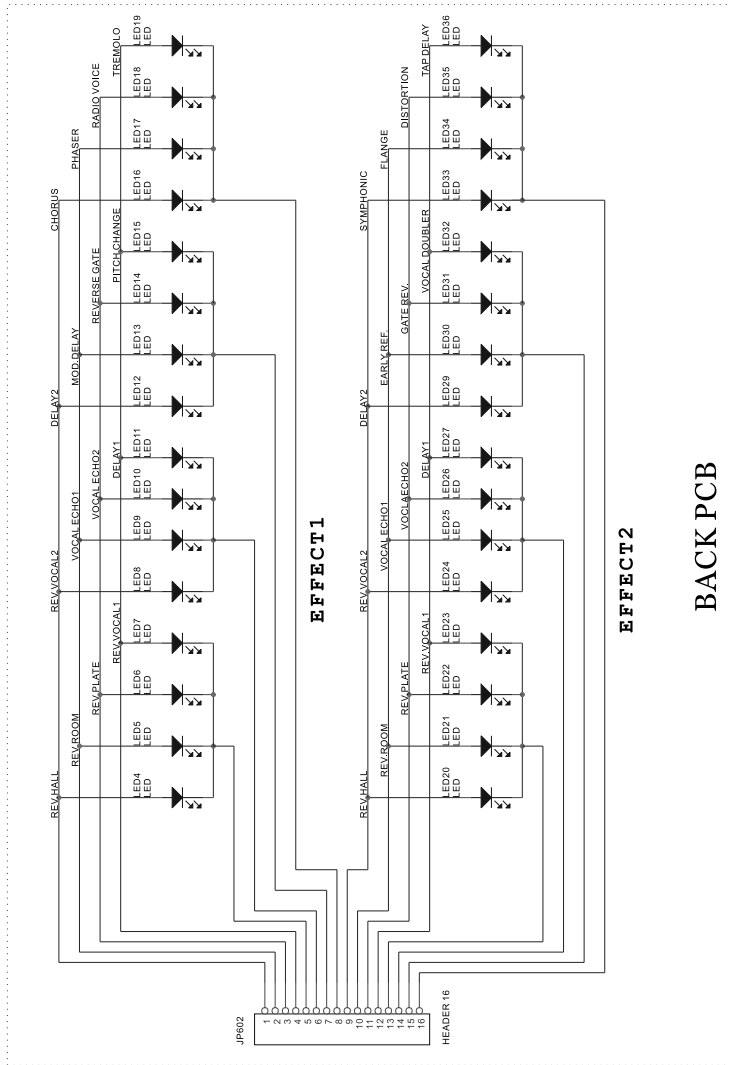
PHONIC CORP	
Title	POWERPOK® LED BAR DISPLAY
Size	Document Number
Rev	DISPL.AN.SCH
A	Rev
34	Sheet
25	of
34	34

## DSP



Rev	A
Document Number	DSP-SCH
Date	Friday, December 03, 2004
Sheet	29 of 34

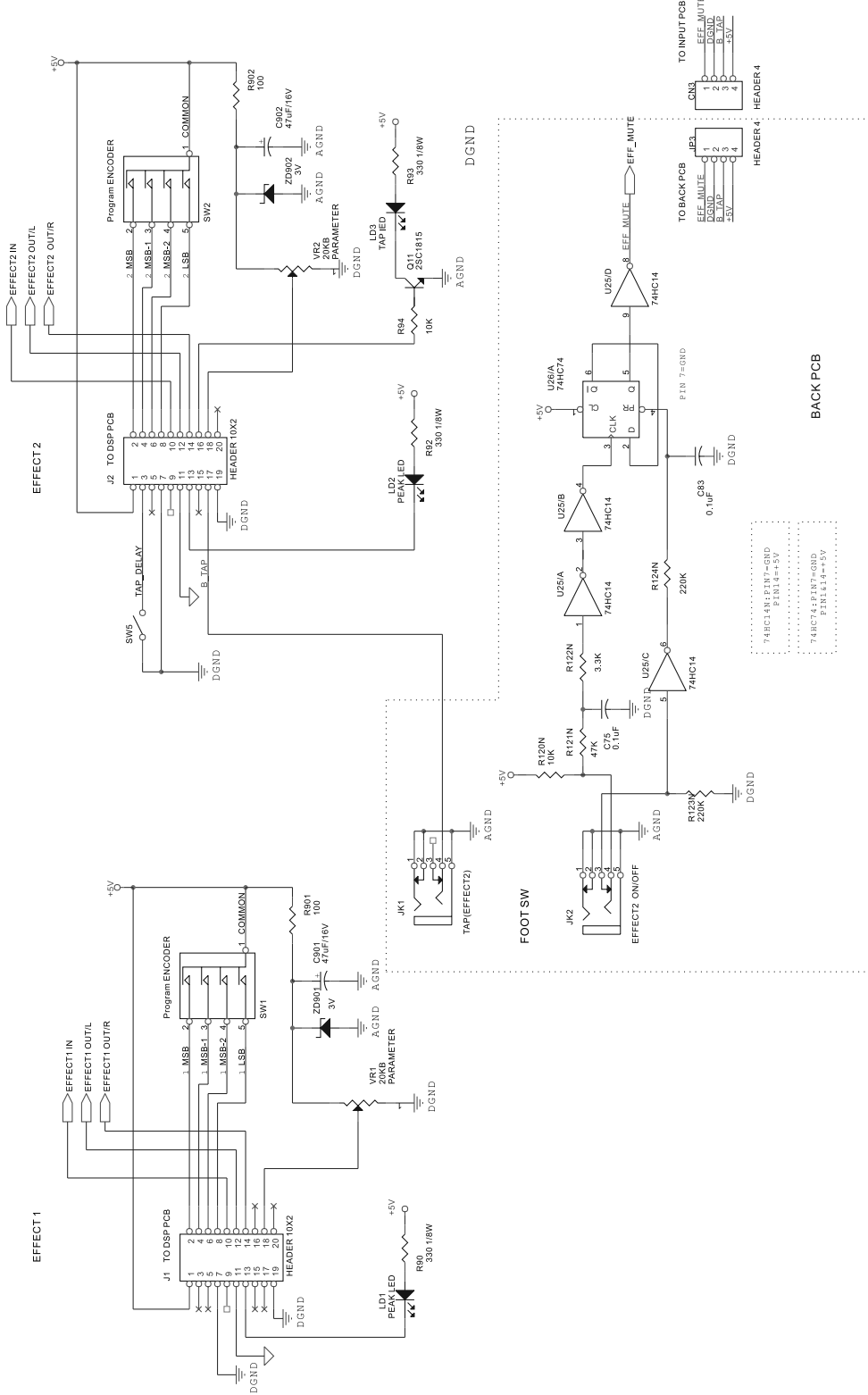
DSP CTL 1



Title	PHONIC CORP
Size	POWERPODK12 POWER DSP LED DISPLAY
Doc. Number	DSP_CTL1.SCH
Rev	A
Date	Friday, December 03, 2004
Sheet	27 of 34

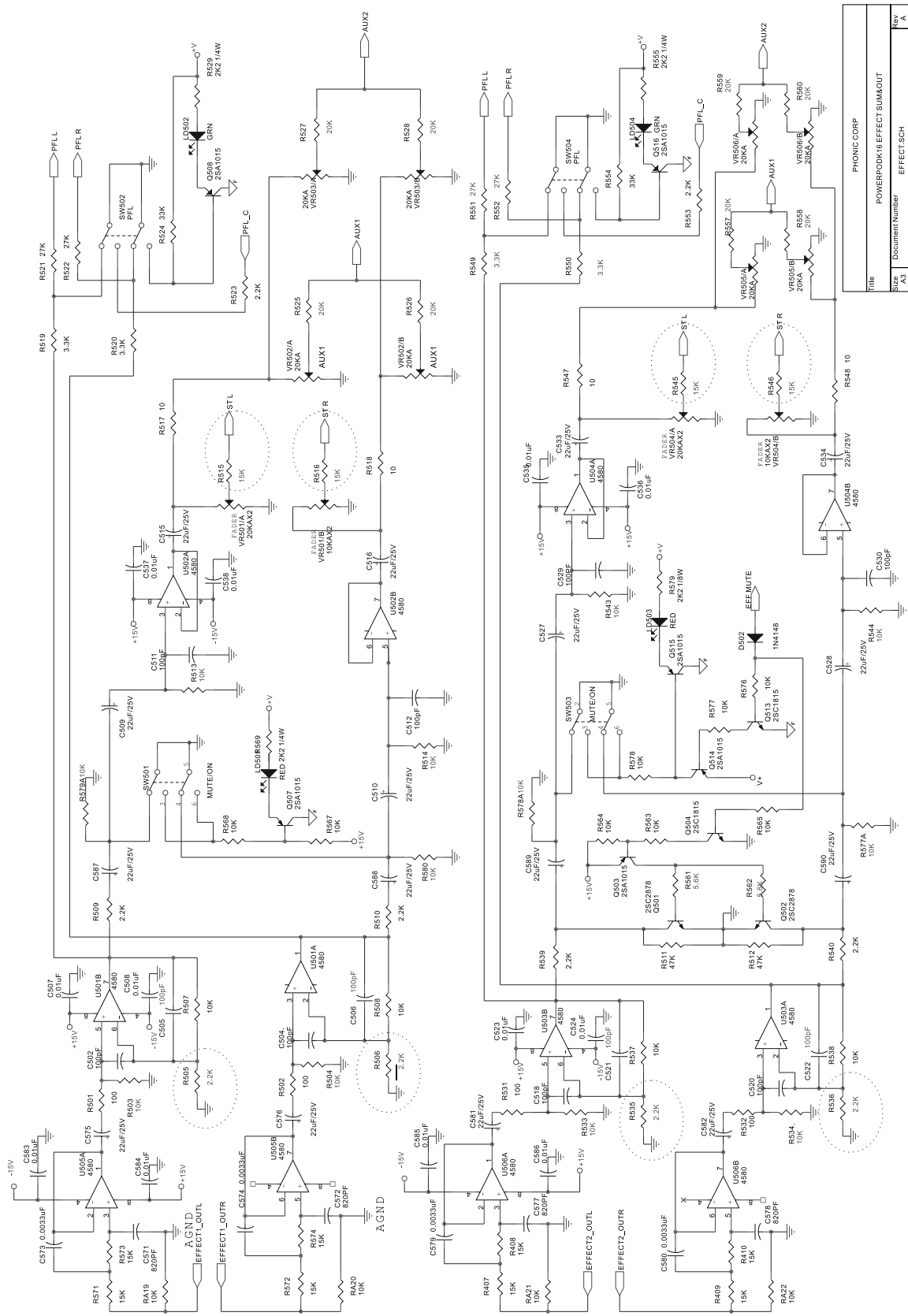


## DSP CTL 2



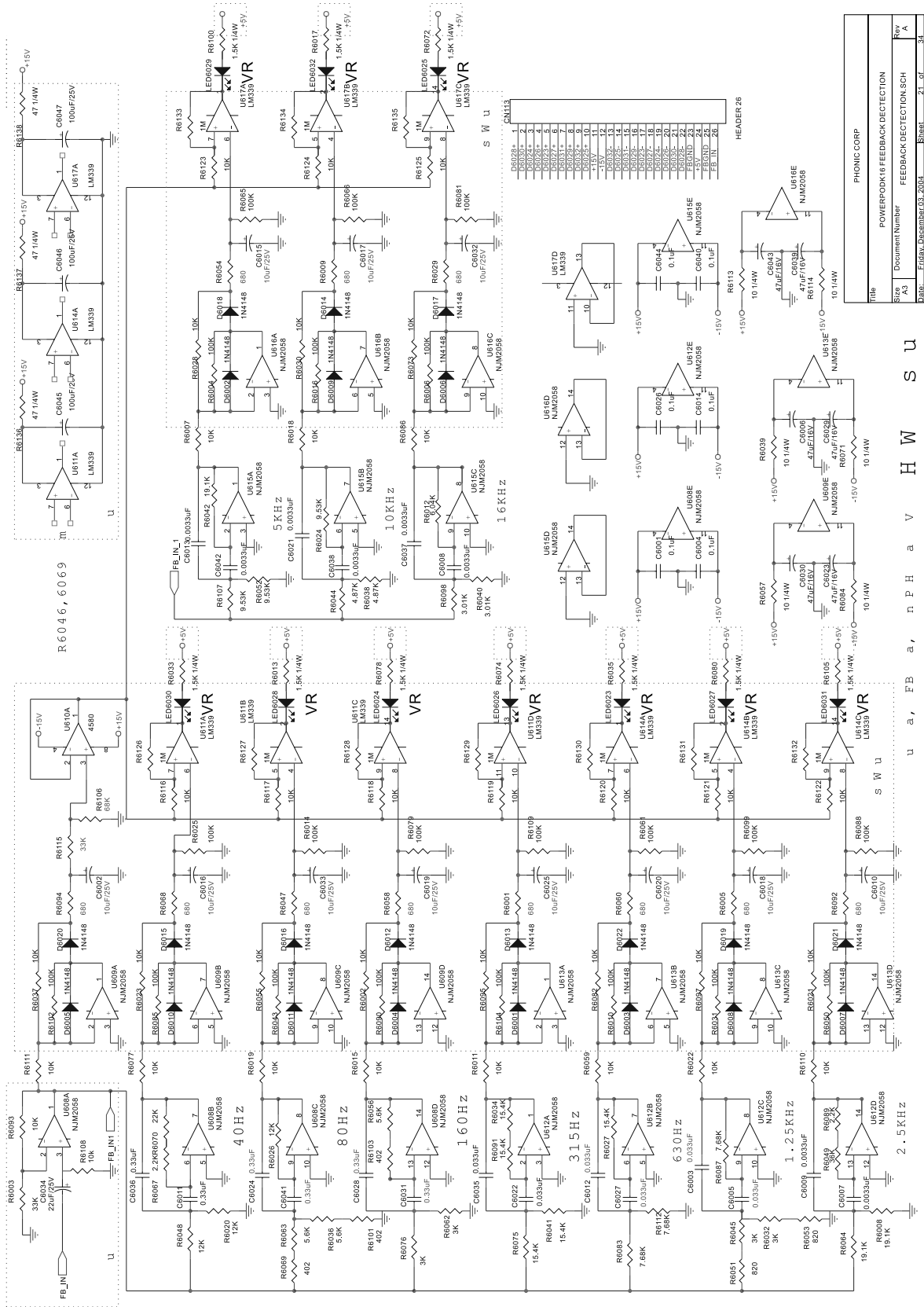
PHONIC CORP	
POWERPODK12 POWER DSP CTL	
Size	Document Number
A3	DSP_CTL2 SCH
Rev	Sheet
A	28 of 34
Date	Friday, December 03, 2004

EFFECT



File	PHONIC CORP
Proj	POWERPOCK16 EFFECT SUM&OUT
Sheet	24 of 31
Docu	Document Number
Rev	EFFECT2.SCH
Rev	A
Date	Friday, December 03, 2004
Sheet	24 of 31

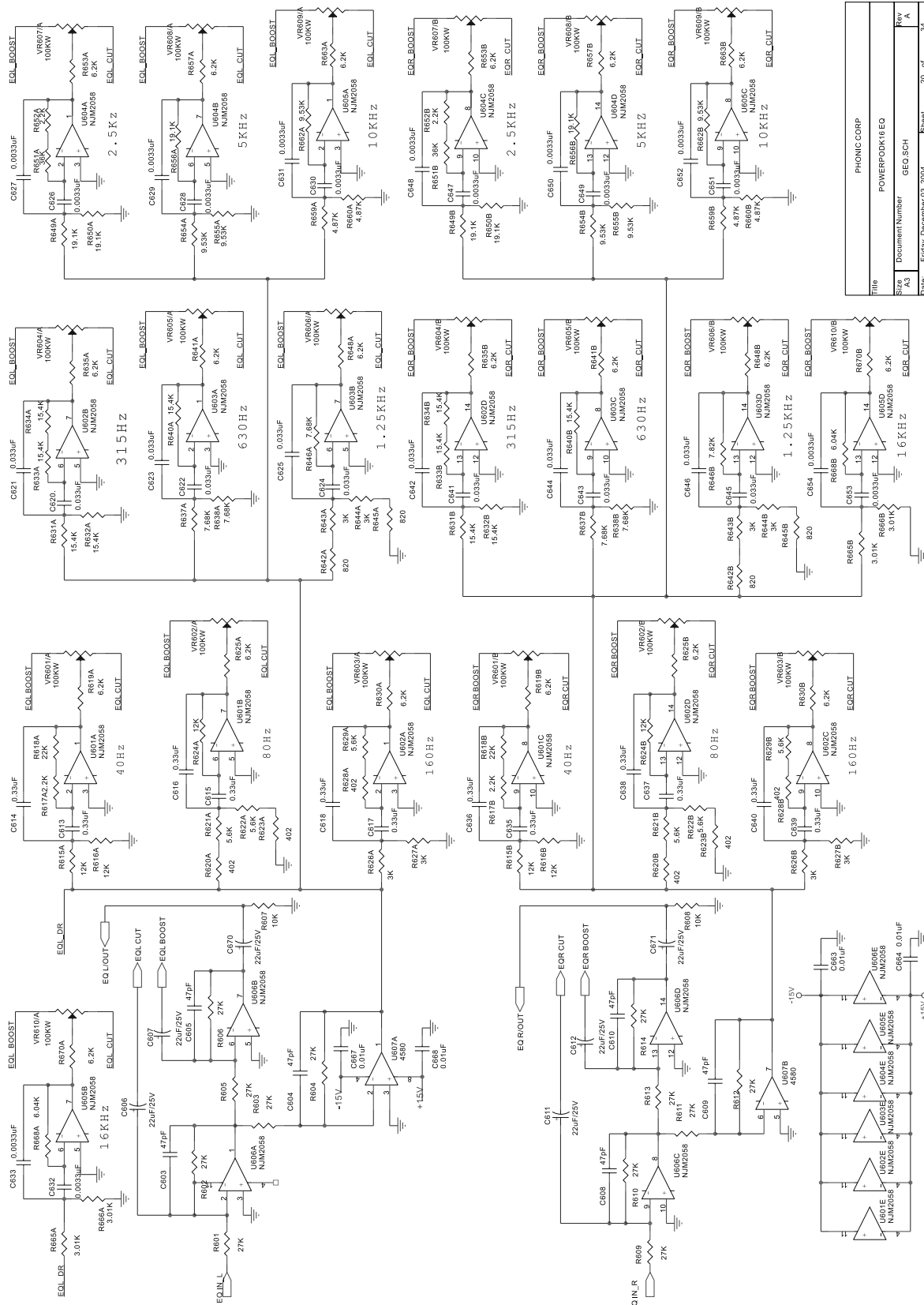
FEED BACK



PHONIC CORP			
POWERPODK16 FEEDBACK DETECTION			
File	Document Number	Feedback Detection_SCH	Rev
Date: Friday, December 03, 2009	Sheet	21	of 31

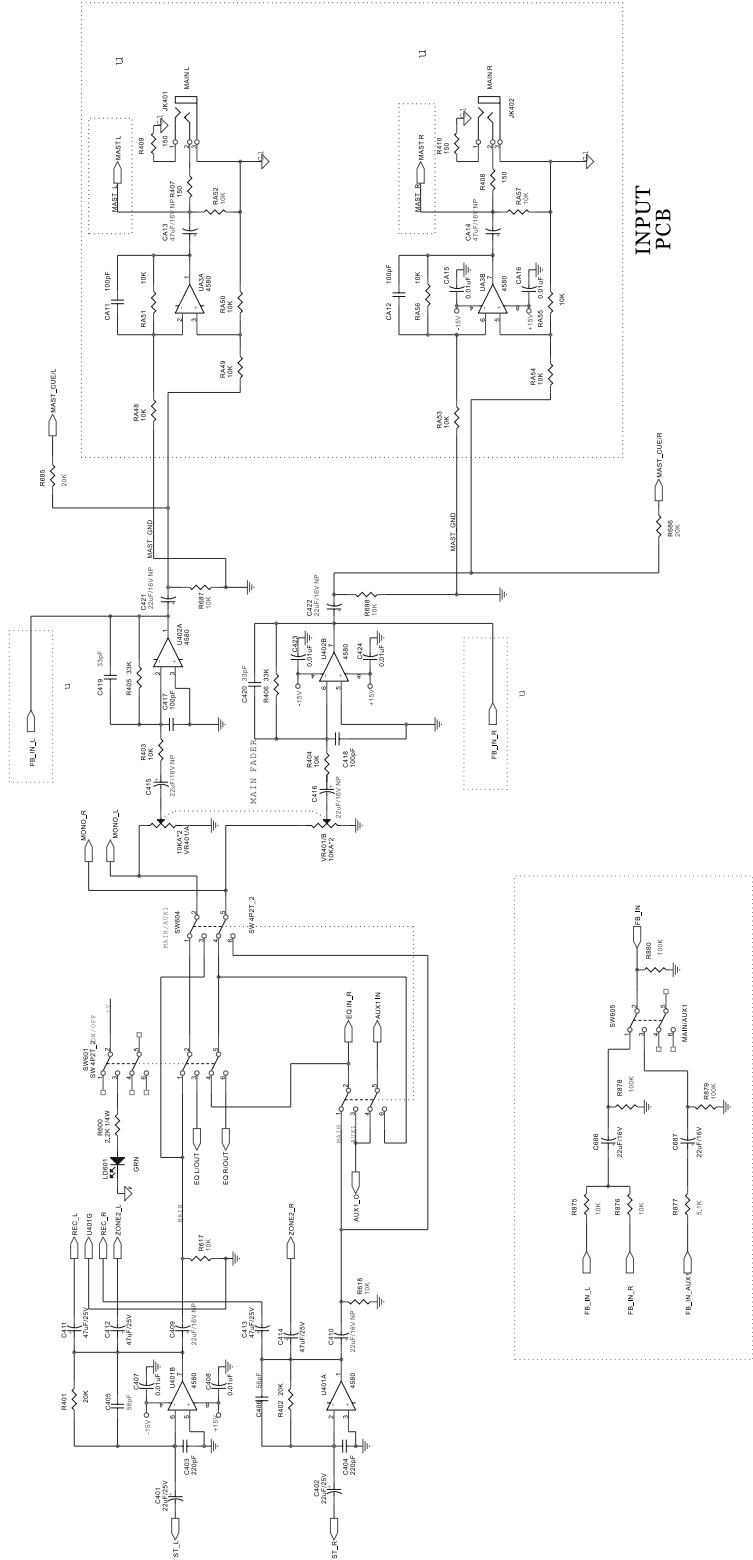
u a , p h a v H W S U

GEQ

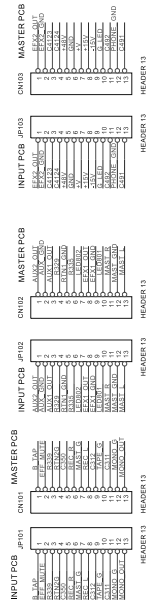


Title	PHONIC CORP
Size	POWERPOK16 EQ
Doc Number	GEQ SCH
Date	Friday, December 03, 2009
Sheet	20 of 34
Rev	A

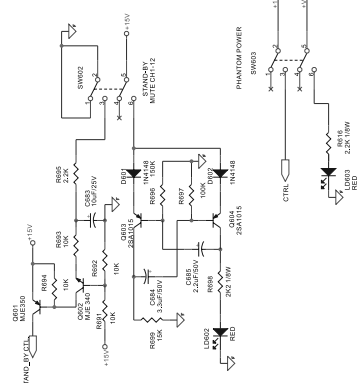
MAIN



INPUT PCB

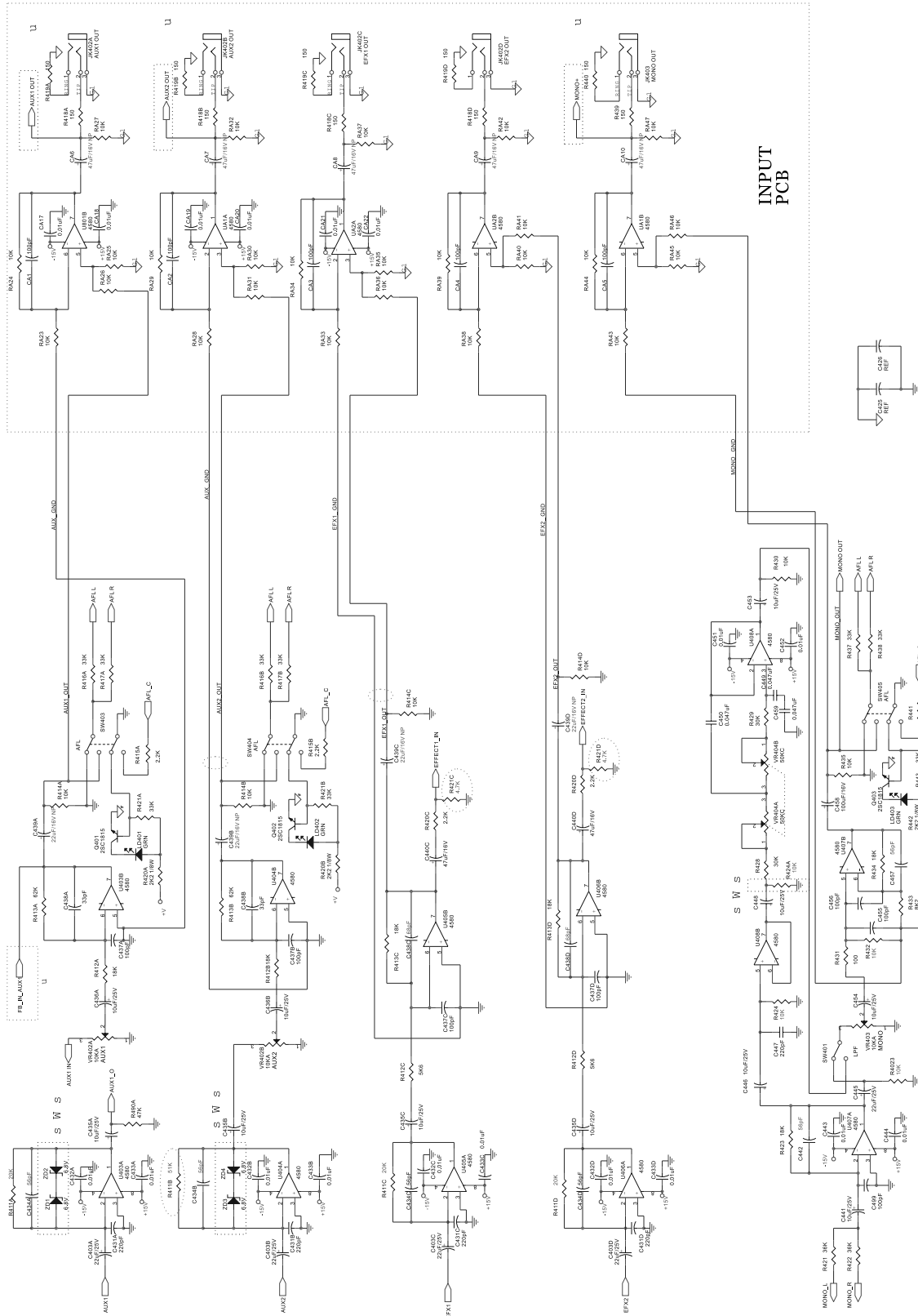


S W U



PHONIC CORP.	
PONTREPPON FÜR STANDAART	
REV	1.0
DATE	1999.08.20
DESIGNER	MANNSCH
DATE	1999.08.20

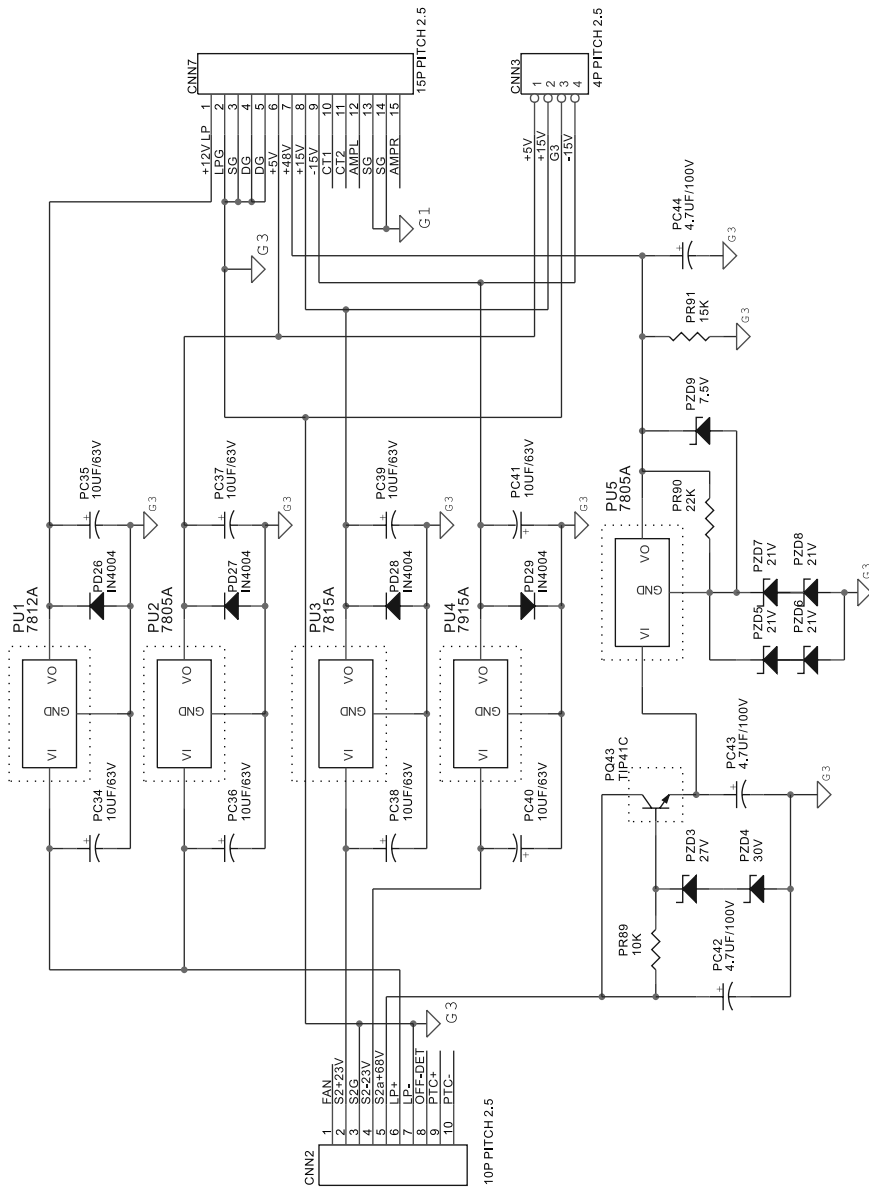
MASTER



INPUT PCB

PHONIC CORP	PHONIC CORP
PHONIC CORP	PHONIC CORP
PHONIC CORP	PHONIC CORP
PHONIC CORP	PHONIC CORP

POWER



G U S T W b j W C

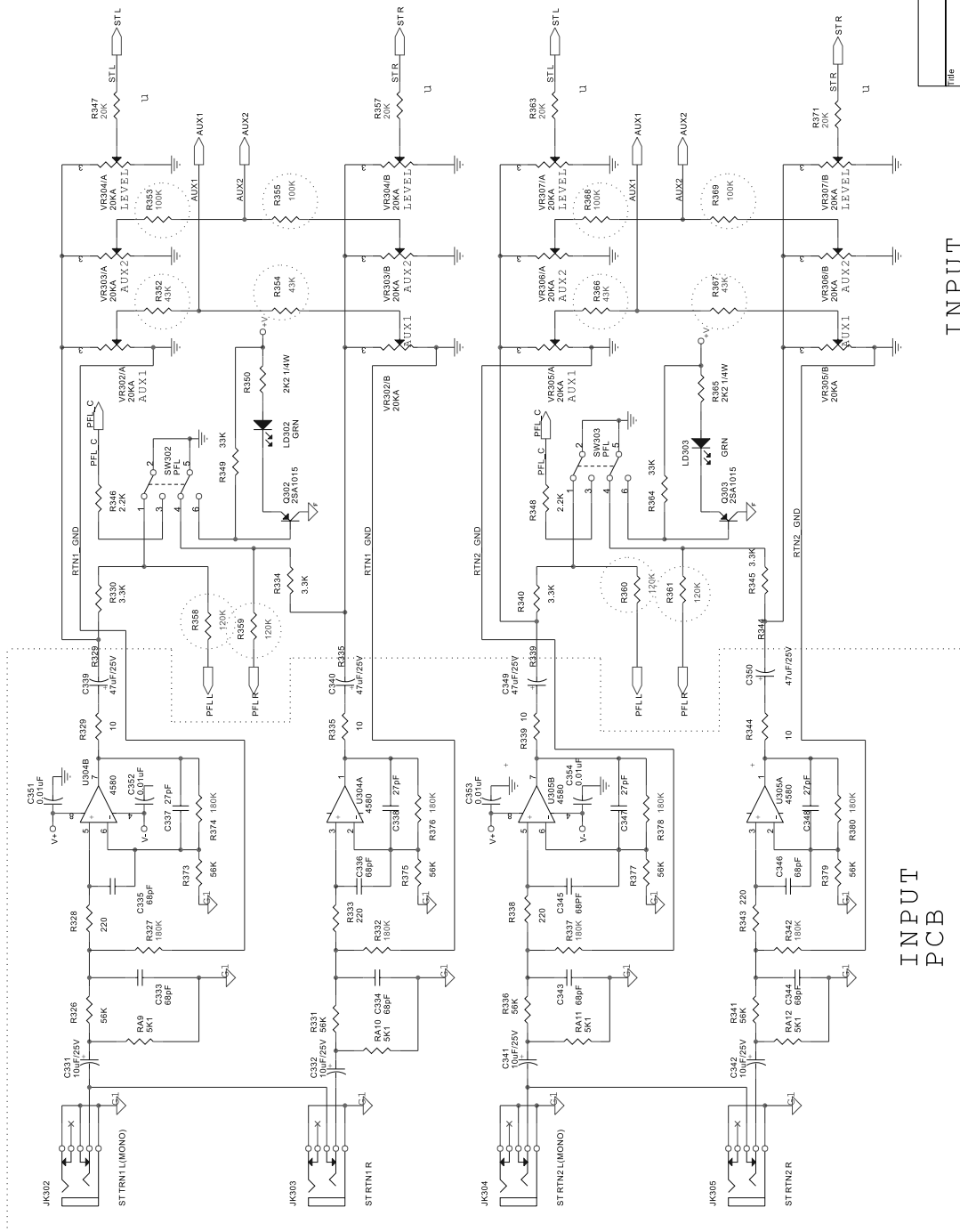
PHONIC CORP.	
Title	K12 POWERAMP
Size	A4
Document Number	POWER.SCH
Rev	A
Date:	Friday, December 03, 2004
Sheet	30 of 34







RTN

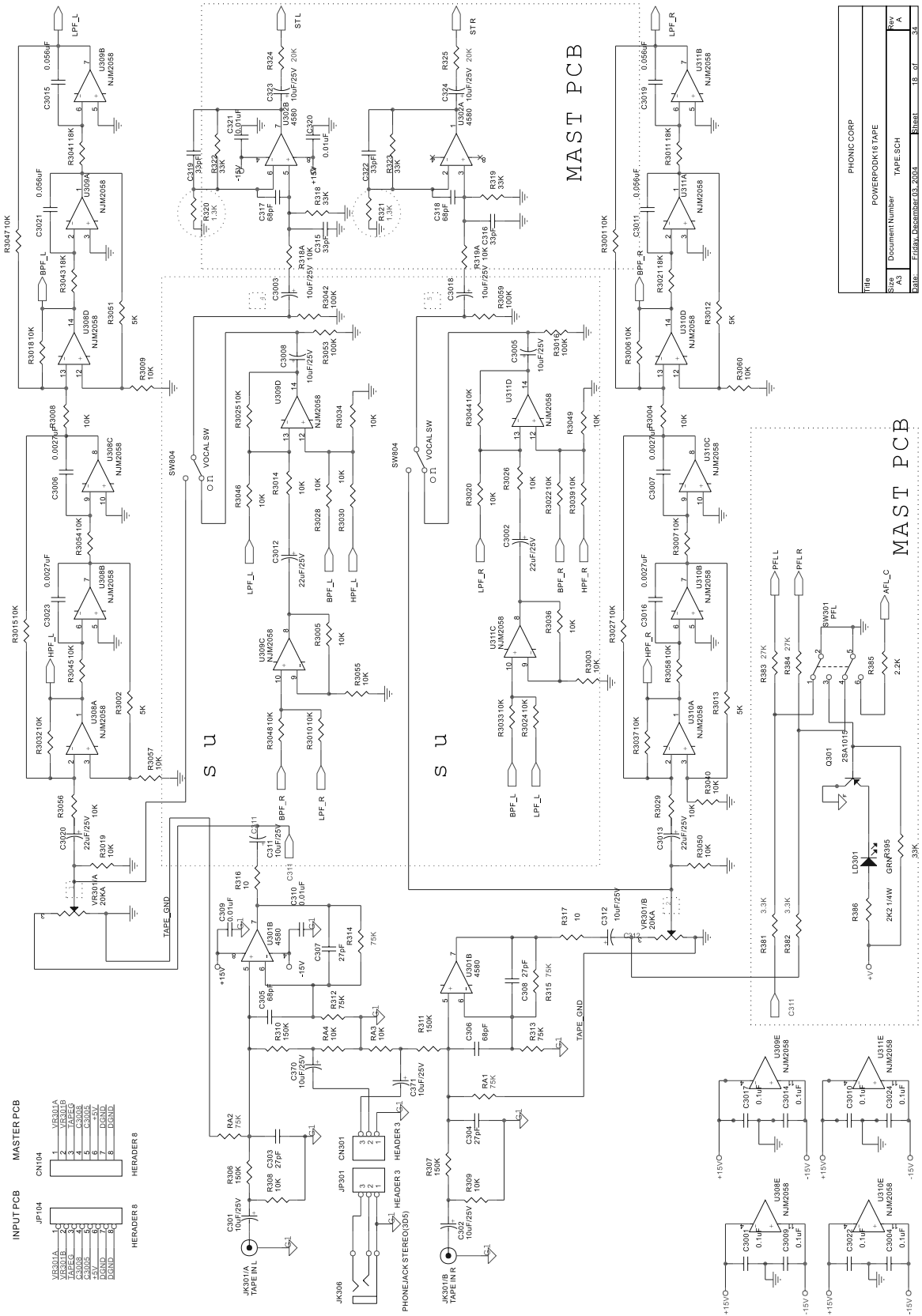


INPUT PCB

INPUT PCB

PHONIC CORP	
Title	POWERPODK16 ST RTN IN
Size	Document Number
Rev	Rev
Date	Friday, December 03, 2004
Sheet	17 of 34

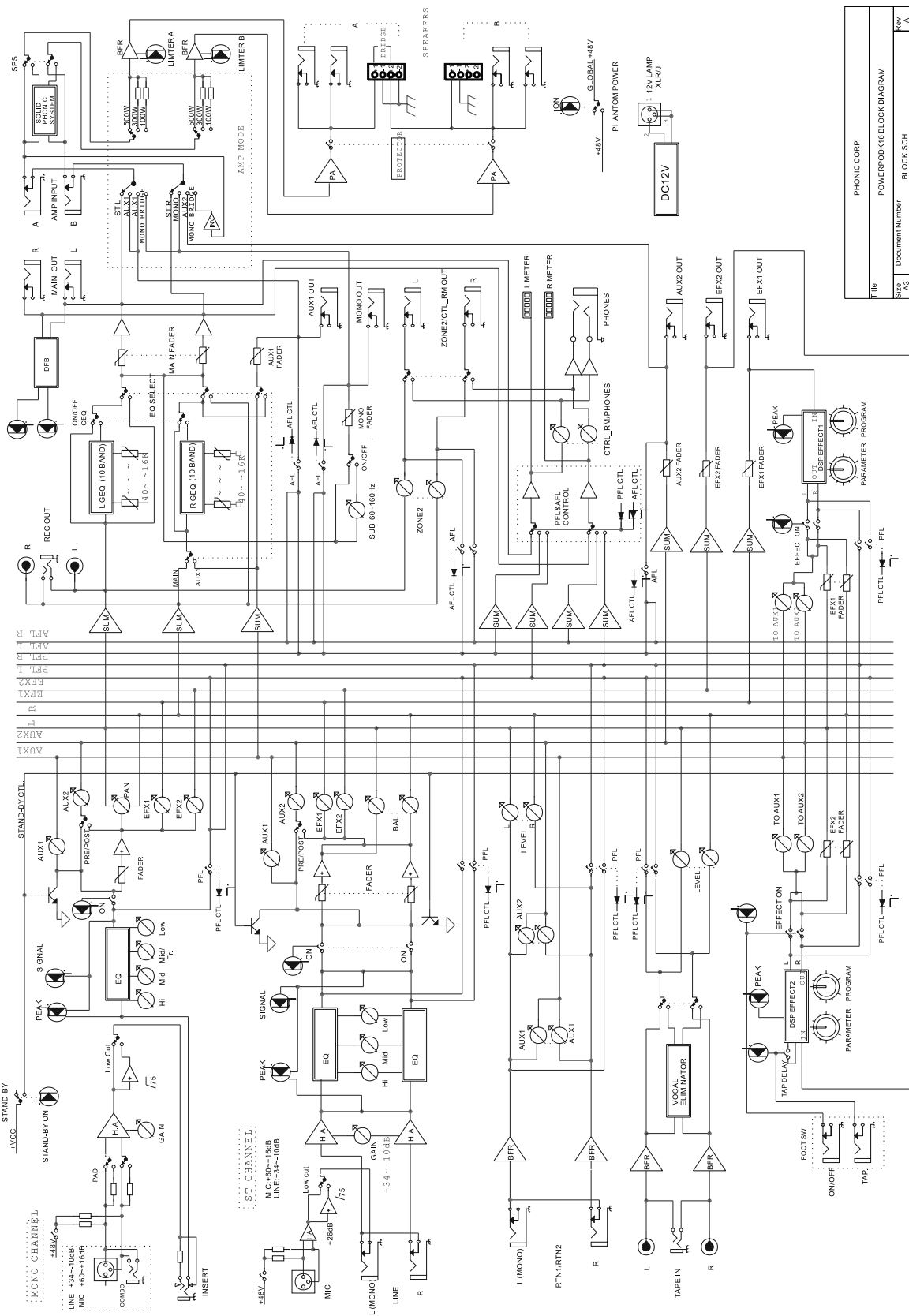
TAPE



Title	PHONIC CORP
Size	POWERPODKIT TAPE
Doc Number	TAPE SCH
Rev	A
Date	Friday, December 03, 2004
Sheet	18 of 34

MAST PCB

BLOCK



PHONIC CORP	
POWERPOK16 BLOCK DIAGRAM	
Title	PHONIC CORP
Doc Number	POWERPOK16 BLOCK SCH
Rev	A
Date	Friday, December 03, 2004
Sheet	1 of 28

## MISCELLANEOUS

Ref.	Phonic Part No.	Specifications
	035-10625-0A0-0	MINI E/C 10MF K 16V T
	315-00005-000-0	LUG 6D
	321-00000-007-0	CABLE TIE HW-100MM
	347-00000-320-0	FAN 80*80*15 DV12V
	510-60898-000-0	PANEL SECC T=1.0mm PODK-16
	510-60898-000-F	PANEL MATERIAL SECC T=1.0mm PODK-16
	511-60466-000-0	BACK PANEL SECC T=1.0mm PODK-16
	511-60466-000-F	BACK PANEL MATERIAL SECC T=1.0mm PODK-16
	512-20530-420-0	LF SIDE PANEL MATERIAL:ABS PANTONE:BLK
	512-20540-420-0	RT SIDE PANEL MATERIAL:ABS PANTONE:BLK
	516-60016-000-0	TOP COV. MATERIAL:PP COLOR:BLK PODK-16
	518-60270-000-0	BOT. COV. PODK-16 SECC 1.6
	518-60270-000-F	BOT. COV. MATERIAL SECC 1.6 PODK-16
	524-60011-020-0	POD2280 HANDLE L=534.4MM
	525-00019-020-0	FEET D25*16 (FFT-3 )
	525-20006-000-0	FEET D10.8*3 (R1003)
	527-05100-001-0	K-12 SECC 0.8 BLK
	527-05100-001-F	K12 MATERIAL
	527-05100-002-0	K-12 SECC 0.8
	527-05100-003-0	K-12 SECC 0.8
	529-20041-001-0	LED ACRYLIC LAENS PODK-12/K-16
PROGRAM	540-20460-220-0	R/KNOB 12 12.25*18 GREY
GAIN*12	540-60170-120-0	R/KNOB 15 BLK (MR1843X)
	540-60300-120-0	R/KNOB
EFX*28.PARAMEFTER*2	540-60300-220-0	R/KNOB GREY BODY+BLUE CAP
GAIN*2, TAPE	540-60300-320-0	R/KNOB GREY BODY+WHT CAP
IN*1,LEVEL*2		
HF/MF/LF*54,PAN/ BAL*14	540-60300-420-0	R/KNOB GREY BODY+CAP
AUX*36	540-60300-520-0	R/KNOB GREY BODY+BLK CAP
ALL EQ VR	541-20270-020-0	SLD/KNOB POD865
CH FADER*14	541-60005-020-0	S/KNOB SIZE 23*9.5 WHITE BODY+BLK POINT
MONO*1	541-60005-220-0	S/KNOB 432C BODY+WHT POINT SIZE:23*9.5
L-R	541-60005-720-0	S/KNOB RED BODY+WHT POINT
DSP EFFECT*2	541-60005-820-0	S/KNOB BLUE BODY+WHT POINT
AUX1/2*2	541-60005-920-0	S/KNOB BLK BODY+WHT POINT
EQ ON*1, HF*14, MAIN L/R*1, PRE*14, TAPE IN PFL*1,ZONE AFL*1,FBD*1	542-20300-221-0	P/KNOB WHT BODY+COOL GREY 11C
AFL*3,MIC/	542-60090-222-0	P/KNOB WHT BODY+COOL GREY 11C
POWER SW	542-60280-020-0	P/KNOB BLK BODY+WHT TEXT

<b>Ref.</b>	<b>Phonic Part No.</b>	<b>Specifications</b>
BACK PANEL	543-60060-020-0	BUSHING ABS BLK K12
	543-60080-020-0	P/KNOB PUSH BLK
	550-60040-000-0	CHASSIS (A) 535.6*357.2*0.5
	551-20053-420-0	POWERPOD1860
	551-20055-400-0	BRKT POWERPOD1860
	551-60087-400-0	LF BRKT. K12
	551-60087-400-F	LF BRKT K12 MATERIAL
	551-60088-400-0	RT BRKT K12
	551-60088-400-F	RT BRKT K12 MATERIAL
	551-60101-400-0	WIND BRKT PODK-12
	551-60114-000-0	FIX PCB "L" BRKT SECC T=1.0 PODK-16
	553-60019-400-0	BOX T=0.5 PODK-16
	553-60020-401-0	BOX SECC T=1.0 PODK-16
	553-70002-400-0	BOX T=0.5 PODK-16
	560-61260-000-0	CARTON PODK-16
	561-60890-000-0	G/B PODK-16
	562-60341-000-0	UP PULP PANEL PODK-16
	562-60342-000-0	DOWN PULP PANEL PODK-16
	566-10015-010-0	SPONGE 40*10*5
	566-60035-000-0	FOAMER 197.7*10*3mm
566-60227-000-0	FOAMER PODK-16	
OWN. MANU.	568-00003-000-0	#10 240*340*0.05
	568-10065-000-0	PE BAG 1000*650*0.05
POWER CORD	568-30011-000-0	PE BAG 300*110*0.05
	572-00000-050-0	DRYER 5g
	573-10124-010-0	GND LABEL MAR2
	573-60240-000-0	BAR CODE LABEL PHONIC
	573-60343-000-0	LABEL BLUE D=8mm
	573-60780-000-0	FUSE LABEL T2A L 250V
	573-61010-000-0	FUSE LABEL T15A H 250V
	574-01670-110-0	OWN. MANU. PODK-16/K-12/1860 DELUXE
2/3*6	590-02606-100-0	M/E FLT SCR. M2.6*6 NI
PANEL&CHASSIS*4	590-03006-200-0	M/E FLT SCR. M3.0*6 BLK
PANEL*38	590-03008-100-0	M/E FLT SCR. M3.0*8 NI
PANEL*6	590-03008-200-0	M/E FLT SCR. M3.0*8 BLK D=6
PHANTOM SW*3,BOSS*8	590-43004-100-0	M/E PAN SCR. M3*4 NI
DSP PCB	590-43006-100-0	M/E PAN SCR. M3.0*6 NI
PCB&BOSS*14	590-43008-100-0	M/E PAN SCR. M3.0*8 NI
FOR FAN	590-43020-100-0	M/E PAN SCR. M3*20 NI
FAN*2,AC PCB*4	590-53006-100-0	M/E SET SCR. M3.0*6 NI

<b>Ref.</b>	<b>Phonic Part No.</b>	<b>Specifications</b>
FAN BRKT*4,PANEL&BOT COV.*3,L/R BRKT*4,AC PCB*6	590-53006-200-0	M/E SET SCR. M3.0*6 BLK
	590-53008-200-0	M/E SET SCR. M3.0*8 D=6 BLK
SPK. *4 POWER JACK*2	590-53010-100-0	M/E SET SCR. M3.0*10 NI
FIXED BOT COV&HANDLE*4	590-53010-200-0	M/E SET SCR. M3.0*10 BLK
	590-54006-200-0	M/E SET SCR. M4*6 BLK
FIXED XLR*4	591-03008-100-0	T/P FLT SCR. D3.0*8 NI
FIX RCA JACK*3	591-43008-100-0	T/P PAN SCR. M3*8 NI
	591-54012-200-0	T/P SET SCR. D4.0*12 BLK
SPK.*4,POWER SOCK- ET*2 MAIN PCB*5,SW*2	600-00302-010-0	HEX. NUT M3.0*2.0 NI
GND	600-00602-010-0	HEX. NUT M6.0*2.0 NI
ALL 10,INPUT PCB*4	610-00300-326-0	PE. WAS. D3.0*D6*0.3
FAN BRKT	610-00300-502-0	PLA. WAS. D3.0*D7.0*0.5 BLK
BOSS*14	610-00301-018-0	FIBER WAS. D3.0*8*1
	610-00400-802-0	PLA. WAS. D4.0*D8.0*1.0 BLK
JK03.04.06.07*3	610-20901-001-0	TOOTH WAS D9*12*1 NI
GND*1	610-30600-601-0	TOOTH WAS. D6.0*D11*0.6 NI
SPK*4	610-60301-006-0	SPR .WAS. D3*D5*1 NI
FOR GND	615-10001-130-0	EARTH BOSS 2+5 NI
FOR GND	615-10002-130-0	EARTH BOSS 10+5 NI
PANTOME SW*3	615-10022-630-0	BOSS 5+5
DSP PCB*8	615-10032-630-0	BOSS 10*5.5
PCB&CHASSIS*2	615-20023-630-0	BOSS 15+5
PCB & TOP COVER*20	615-20088-620-0	SPACER SUPPORT H-16
PCB&CHASSIS*2	615-20114-630-0	BOSS M3*(8+4)
IN PCB*4,PCB&CHASSIS*2	615-60044-630-0	BOSS L=6.0
	618-14180-662-0	SPEC FIXED PIN SR-2 WHT
AC PCB	630-20047-410-0	MYLAR INSU 63*35*0.5MM
	630-60040-410-0	PVC MR3243 SIZE:180*85*0.2
	630-60069-410-0	MYLAR 255*10*1.0t
	630-60077-450-0	PVC INSULATION K-16 0.5t
ALL 60MM S/VR*20	631-10002-000-0	HEMELON 80*12
ALL SW	631-10027-000-0	HEMELON 24*12
ALL LED	631-20029-000-0	HEMELON 10*10
ALL EQ VR*10	631-20032-000-0	HEMELON 36*10MM
METER LED	631-20033-000-0	HEMELON 85*22

**DSP PCB**

<b>Ref.</b>	<b>Phonic Part No.</b>	<b>Specifications</b>
R5.33.36.37.41.43.46-48.52.59.J3	008-00002-600-0	CHIP RES. 0 J 0603
R30.32	008-01002-600-0	CHIP RES. 10J SMT 0603 PKG
R8.11	008-01012-600-0	CHIP RES. 100 J 0603
R19-22	008-01022-600-0	CHIP RES. 1K J 0603
R25.27.58.65.66	008-01032-600-0	CHIP RES. 10K J 0603
R31.35	008-01072-600-0	CHIP RES. 1 J 0603
R50	008-02012-600-0	CHIP RES. 200 J 0603
R26.28	008-03312-600-0	CHIP RES. 330 J 0603
R29	008-03332-600-0	CHIP RES. 33K J 0603
R34	008-04702-600-0	CHIP RES. 47 J 0603
R9.10.14.15.16.17.67	008-04722-600-0	CHIP RES. 4.7K J 0603
R12.13	008-51002-400-0	CHIP RES. 510 F 0603
C3.9.13.15.20.22.25.28.30	039-10426-230-0	CHIP C/C 0.1MF M 50V 0603
C7.12.14.16-19	039-10526-900-0	CHIP E/C 1MF M 50V 4*5.4
C35.39	039-10606-900-0	CHIP E/C 10MF M 16V 4*5.4
C10.11	039-22024-200-0	CHIP C/C 22PF J 50V 0603
C8.21.23.24.26.27.29.31	039-47646-900-0	CHIP E/C 47MF M 6.3V 4*5.4
C6	039-47736-900-0	CHIP E/C 470UF M 10V 8*10
D2	090-00039-000-0	DIODE BAV99 SMD
Q1.2	120-00011-100-0	TRAN. MMBTA14 SOT-23 SMD
U5	160-00027-200-0	IC LD1117S33TR SOT-223-M REEL (ST/NS)
U10	160-00028-800-0	CODEC IC UDA1345TS SSOP28 SMD PHILIPS
U1	170-00007-000-0	TTL 74HC393 reel-M (PH) SMD
U8	171-00004-800-0	MOS 74HCT132 SO14-D reel-M (PH) SMD
U2	177-00003-900-0	DSP TMS57002 QFP-M TI SMD
U9	177-01002-320-0	MOM AT24C08AN SMD reel(ATM)
U3	177-01005-500-0	CPU TSB89C54X2 PLCC-M V.C(PH/SST)SMD
U3	177-01005-600-0	CPU TSB89C54X2 PLCC-M V.D(PH/SST)SMD
U6	177-01302-100-0	DRAM IC MIIB416256A 35T TSOP ESMT
J1	211-09202-000-0	20P B.E./S
	290-01660-401-0	K12 DSP REV-B
XT1	300-12004-010-0	CRYSTAL 12.000MHz SMD
L1.2.3	382-20010-010-0	TINNER WIRE 10MM D0.6



## POWER PCB

Ref.	Phonic Part No.	Specifications
R919.920	003-10093-602-0	CEMEN RE. 0.1 J 5W
R940	003-15073-602-0	CEMENT RES. 15 J 5W
R912.928	003-20023-602-0	CEMENT RES. 20K J 5W
R945	006-10002-440-0	MF RES. 100 F 0.25W T
R907	006-10012-440-0	MF RES. 1K F 0.25W T
R911	006-10012-440-0	MF RES. 1K F 0.25W T
R905.914.936.938.939	006-10022-440-0	MF RES. 10K F 0.25W T
R944	006-10032-440-0	MF RES. 100K F 0.25W T
R925	006-10042-440-0	MF RES 1M F 0.25W
R913.918.934	006-10082-440-0	MF RES. 1 F 0.25W T
R926	006-15074-440-0	MF RES. 15 F 1W T
R908.917.923	006-18022-440-0	MF RES. 18K F 0.25W T
R941	006-20012-420-0	MF RES. 2K F 0.25W T
R903	006-33012-440-0	MF RES. 3K3 F 0.25W T
R921	006-33022-440-0	MF RES. 33K F 0.25W T
R930.937	006-33023-420-0	MF RES.33K F 0.5W M
R906.910	006-33072-440-0	MF RES. 33 F 0.25W T
R904	006-33072-440-0	MF RES. 33 F 0.25W T
R942	006-39012-420-0	MF RES. 3K9 F 0.25W M
R922	006-39022-440-0	MF RES. 39K F 0.25W T
R901A.902A	006-39032-440-0	MF RES. 390K F 0.25W T
R915	006-47022-440-0	MF RES. 47K F 0.25W T
R909	006-51012-440-0	MF RES 5K1 F 0.25W T
R946.948	006-56012-440-0	MF RES. 5K6 F 0.25W T
R916.924	006-68012-440-0	MF RES. 6K8 F 0.25W T
R947	006-82002-440-0	MF RES. 820 F 0.25W T
PT903	011-22010-000-0	PTC PTMS2331RP416B16
PT901	011-22010-010-0	PTC PTMS2331RP730B34
PT902	011-22010-020-0	PTC PTLS2101RP816B
NTC901	012-10020-010-0	NTC THER. N20SP010L
C906.910.917	030-10638-0A0-0	E/C 10MF Z 25V 5*11 T
C942	030-10656-2A0-0	E/C 10MF M 50V 5*11T
C947	030-10736-0A0-0	E/C 100MF M 25V 8*11 T
C921	030-10846-000-0	E/C 1000MF M 35V 10*21 T
C913	030-22638-0A0-0	E/C 22MF Z 25V 5*11 T
C923.924.933.934	030-22798-200-0	E/C 220UF 160V Z 16*35H
C915.916.918.919	030-228C6-030-0	E/C 2200MF M 200V P
C927	030-47558-0A0-0	E/C 4.7MF Z 50V 5*11 T
C940.937	030-47586-200-0	E/C 4.7MF M 100V 5*11 P
C932.935.936.938.939	030-47758-001-0	E/C 470MF Z 50V 13*21 P
C946	042-222A5-050-0	C/C2 0.0022UF 250V K

**DSP PCB-PART LIST**

<b>Ref.</b>	<b>Phonic Part No.</b>	<b>Specifications</b>
C908	051-102C4-000-0	MP/C 0.001MF J 63V P
C911	051-103C5-000-0	MP/C 0.01MF K 63V T(ESK063S10JA)
C907.909.912.914.944	051-104C5-000-0	MP/C 0.1MF K 63V T(ESK063P10JA)
C922	051-10545-000-0	MP/C 1MF K 400V PMM
C941.945	051-22435-000-0	MP/C 0.22UF K 250V
C920	051-224C5-000-0	MP/C 0.22MF K 63V T (ESK063P22JA)
C901.904A.905A.925.926	058-10226-000-0	LINE/C 0.001UF M 250V Y2
C902A.903A	058-22485-000-0	LINE/C 0.22MF K 275V P (FXK2A7P22K0)
C943□□□□	058-47236-001-0	LINE/C 0.0047MF M 400V
T904	070-2086B-800-0	X'MER 115/230V K-12
T901A.902A	072-20121-000-0	CHOCK COIL TF5104
L902.908	072-20124-000-0	CHOCK COIL 1111
L903.909	072-20137-000-0	CHOCK COIL 1118
L910-913	072-20138-000-0	BEAD COIL 1119
K901	076-02411-020-0	RELAY SDT-S-124DMR OEG
D901.906	090-00007-020-0	DIODE 1N4004 SILTEK T
D902	090-00026-000-0	DIODE HER107 (1A/800V)
D916	090-00030-000-0	DIODE H16C40C MOSPEC
D903.909.921.923-927.929.932	090-00031-000-0	DIODE HER103
D922	090-00032-000-0	DIODE H16C40A MOSPEC
D905.911	090-00037-000-0	DIODE HER308
D928	090-01123-000-0	ZEN/DIODE 12V J 0.5W UNIZON POD/XP/MAX
D919.	090-01153-010-0	Z/DIODE 15V K 0.5W UNIZON
D931	090-01622-000-0	ZENER DIODE 6.2V J 0.5W T
D910.914.915	090-02000-020-0	DIODE 1N4148
D913	090-10017-000-0	B/DIODE KBJ2506
Q908.910.912.914	120-00000-800-0	TRN 2SC1815 GR TO-92-D REEL(TO)
Q901.904	120-00010-600-0	TRAN. 2SC2655Y TOSHIBA
Q913	120-00012-800-0	TRAN. 2SD2012 TOSHIBA
Q906.909	121-00000-200-0	TRP 2SA1015GR TO-92-D REEL(TO)
Q903.907	121-00008-400-0	TRAN. 2SA1020Y TOSHIBA
Q902.905	122-00002-700-0	MOSFET IRG4PC50W IR
U902	160-00005-909-0	IC ST7815 TO-220-D(ST) DIP
OC901	160-00010-501-0	IC 4N35 LI
U901	160-00026-400-0	IC IR2153D IR
SW901	210-02101-030-0	PSH/SW PA-03S-A1
J901	211-12300-070-0	AC/C SS-7B-1-A
JP901	212-10063-960-0	6P WAFER/P UL1015#16 380MM P=3.96MM
JP903	212-10100-410-0	10P WAFER/P UL1007#24 280MM P=2.54MM
FS901	281-00000-010-0	FUSE CLIP FH-1208
FS902.903.904.905	281-00000-020-0	FUSE CLIP FH-1206

<b>Ref.</b>	<b>Phonic Part No.</b>	<b>Specifications</b>
	290-01670-500-0	PCB K16 POWER
ZNR901A	301-47100-000-0	ZNR 470V
Q913.916.922.PT901.903	313-00000-000-0	TRANSISTOR WASHER TO-220
Q902.905	313-00010-000-0	WASHER TO-3P
Q913.916.922	314-00000-050-0	BUSHES 602S(V.0)
B1-5	315-00012-000-0	LUG PIN JP-15
	347-00000-230-0	FAN SP401012H
PT902	379-01500-101-0	M. WIRE UL 1007#26 50MM BLK
B3A.4A	380-90020-000-0	MIRE UL1617#16 450MM RED
B1A.2A	380-90021-000-0	MIRE UL1617#16 300MM BLK
B5A	380-90022-000-0	MIRE UL1015#18 350MM YLW+GRN
	526-20070-010-0	HEAT SINK 155*42.2*15 K12
	526-20071-010-0	HEAT SINK 105*42.2*15 K12
	552-60013-001-0	FAN FIXED SECC1.0
HEAT STNK	590-43006-100-0	M/E PAN SCR. M3.0*6 NI
HEAT SINK	590-43008-100-0	M/E PAN SCR. M3.0*8 NI
Q902.905	590-43010-100-0	M/E PAN SCR. M3.0*10 NI
	590-43014-100-0	M/E PAN SCR M3.0*14 NI
PT901.903.D913.916.922 .Q902.905.913	610-00300-501-0	PLA. WAS. D3.0*D7.0*0.5 NI
ALL	610-60301-006-0	SPR .WAS. D3*D5*1 NI

**REAR PCB**

<b>Ref.</b>	<b>Phonic Part No.</b>	<b>Specifications</b>
R120N	000-10306-400-0	CF RES. 10K J 1/8W T
R123N.124N	000-22406-400-0	CF RES. 220K J 1/8W T
R122N	000-33206-400-0	CF RES. 3K3 J 1/8W T
R121N	000-47306-400-0	CF RES. 47K J 1/8W T
LC1-32	039-10324-220-0	CHIP C/C 0.01MF J 50V 0603
C75.83	042-10426-050-0	C/C2 0.1MF M 50V 5 T
LED4-35	100-01100-010-0	LED BAR LBD7113-03
U26	171-00000-310-0	MOS HD74HC74P DIP (TI/HI/PH)
U25	171-00003-500-0	MOS 74HC14 DIP (HT/TI/PH)
SW611	210-07040-030-0	DIP/SW 4P S-DIR04
SW610	210-07100-000-0	DIP/SW 10PIN RS-10
JK306.307	211-01302-140-0	3D5/J SCJ-0345-X
JK1.2	211-01602-380-0	6D3/J (SCJ-0658-Y)
JKP03.04.06.07	211-01602-560-0	6D4/J YLJ-6405-300 (NUT&WASHER)
JKP05	211-03300-160-0	XLR/J SKCA229-1K3F2
JKP01.02	211-03400-021-0	SPEAKON/J SVP563S-CH
JP602	211-09161-010-0	16P B.E./S
CN3	211-10041-140-0	4P WAFER/S 2532-04
JP601	211-10151-090-0	15P WAFER/S 2532-15 P=2.5MM
JP6	212-10023-930-0	2P WAFER/P UL1007#24 420MM P=2.5MM
JP301.302	212-10032-520-0	3P WAFER/P UL1007#24 60MM PH=2.5MM
A1-4	212-10041-350-0	4P WAFER/P UL1015#18 400MM
	290-01670-200-0	PCB K16 JACK

**EQ PCB**

<b>Ref.</b>	<b>Phonic Part No.</b>	<b>Specifications</b>
R6039.6057.6071.6084.6 113.6114	000-10026-400-0	CF RES. 10 J 0.25W T
R6136-6138	000-47006-400-0	CF RES. 47 J 1/8W T
R6013.6017.6033.6035.6 072.6074.6078.6080.610 0.6105	000-47106-400-0	CF RES. 470 J 1/8W T
R6002.6007.6011.6015.6 018.6019.6021-6023.602 8.6030.6037.6055.6059.6 073.6077.6082	008-01032-600-0	CHIP RES. 10K J 0603
R6116-6125.6086.6093.6 095.6097.6108.6110.6111	008-01032-600-1	
R6004.6006.6010.6014.6 016.6025.6031.6043.6050 .6061.6065.6066.6079.60 81.6085.6088	008-01042-600-0	CHIP RES. 100K J 0603
R6090.6099.6102.6104. 6109	008-01042-600-1	
C6126-6135	008-01052-600-0	CHIP RES. 1M J 0603
R6020.6026.6048	008-01232-600-0	CHIP RES. 12K J 0603
R6067.6089	008-02222-600-0	CHIP RES. 2.2K J 0603
R6070	008-02232-600-0	CHIP RES. 22K J 0603
R6032.6045.6062.6076	008-03022-600-0	CHIP RES. 3K J 0603
R6003.6115	008-03332-600-0	CHIP RES. 33K J 0603
R6049	008-03632-600-0	CHIP RES. 36K J 0603
R6036.6056.6063	008-05622-600-0	CHIP RES. 5.6K J 0603
R6001.6005.6009.6029.6 047.6054.6058.6060.6068 .6092.6094	008-06812-600-0	CHIP RES. 680 J 0603
R6106	008-06832-600-0	CHIP RES. 68K J 0603
R6051.6053	008-08212-600-0	CHIP RES 820 J 0603
R6027.6034.6041.6075. 6091	008-15422-400-0	CHIP RES. 15K4 F 0603
R6008.6042.6064	008-19122-400-0	CHIP RES. 19.1K F 0603
R6040.6098	008-30112-400-0	CHIP RES. 3.01K F 0603
R6069.6101.6103	008-40202-400-0	CHIP RES. 402 F 0603
R6044.6038	008-48712-400-0	CHIP RES. 4.87K F 0603
R6012	008-60412-400-0	CHIP RES. 6.04K F 0603
R6083.6087.6112	008-76812-400-0	CHIP RES. 7.68K F 0603 50V
R6024.6052.6107	008-95312-400-0	CHIP RES. 9.53K F 0603
C6002.6010.6015- 6020.6025.6032.6033	035-10635-0A0-0	MINI E/C 10MF K 25V T
C6045-6047	035-10736-0A0-0	MINI E/C 100MF M 25V T (6*7)
C6034	035-22636-0A0-0	MINI E/C 22MF M 25V T

<b>Ref.</b>	<b>Phonic Part No.</b>	<b>Specifications</b>
C6006.6023.6029.6030.6 039.6043	035-47626-0A0-0	MINI E/C 47MF M 16V 5*7 T
C6001.6004.6014.6026.6 040.6044	039-10424-220-0	CHIP C/C 0.1MF J 50V 0603
C6007-6009.6013.6021.6 037.6038.6042.	039-33225-220-0	CHIP C/C 0.0033MF K 50V 0603 10%
C6003.6005.6012.6027.6 022.6035.	039-33325-220-0	CHIP C/C 0.033MF K 50V 0603 +/-10%
C6011.6024.6028.6031.6 036.6041	039-33425-220-0	CHIP C/C 0.33MF K 50V 0603
D6001-6022	090-02000-020-0	DIODE 1N4148 T26MM MINI
U611.614.617	160-00006-210-0	IC LM339 SOP-M REEL (ST/NS)
	160-00022-710-0	IC NJM2058V SMD REEL(JRC)
U610	160-00024-100-0	IC NJM4580M DMP (JRC) 2K SMD
CN113	211-09261-030-0	26P B.E./S
	290-01670-301-0	PCB PODK-16 EQ

**INPUT PCB**

<b>Ref.</b>	<b>Phonic Part No.</b>	<b>Specifications</b>
R471.472	000-15126-400-0	CF RES. 150 J 0.25W T
R101A-101L.201A.201B.	000-39126-400-0	CF RES. 390 J 0.25W T
R475.476	006-10070-440-0	MF RES. 10 F 1/8W T
R118A-118L.119A-	006-22010-440-0	MF RES 2K2 F 1/8W T
R116A-116L.117A-	006-82010-440-0	MF RES 8K2 F 1/8W T
R205A.205B.206A.206B. 209A.209B.210A.210B.31 6.317.329.335.339.344.83 6.851	008-01002-600-0	CHIP RES. 10J SMT 0603 PKG
RA6-8.A13-A16.A23- A57.109A-109L.110A-110L .227A.227B.228A.228B.30 8.309.387.388.393.394.39 7.399.473.474.479.480.48 3.484.672-674.801.802.82 4.839.861.863.864.865.87 4.RA3-A5	008-01032-600-0	CHIP RES. 10K J 0603
R102A-102L.105A- 105L.106A-106L.113A- 113L.114A-114L.139A-139 L.202A.202B.670.3016.304 2.3053.3059	008-01042-600-0	CHIP RES. 100K J 0603
R108A-108L.	008-01122-600-0	CHIP RES. 1.1K J 0603
R215A.215B	008-01222-600-0	CHIP RES. 1.2K J 0603
R407-410.418A- 418D.419A- 419D.439.440.485-488	008-01512-600-0	CHIP RES. 150 J 0603
R852.855.859.862	008-01522-600-0	CHIP RES. 1.5K J 0603
R823A.858A	008-01532-600-0	CHIP RES. 15K J 0603
R306.307.310.311.832.847	008-01542-600-0	CHIP RES. 150K J 0603
R225A.225B.226A.226B	008-01822-600-0	CHIP RES. 1.8K J 0603
R826.840.3011.3021.304 1.3043	008-01832-600-0	CHIP RES. 18K J 0603
R327.332.337.342.374.376 .378.380	008-01842-600-0	CHIP RES. 180K J 0603
R115A-115L.	008-02002-600-0	CHIP RES. 20 J 0603
R821.837	008-02032-600-0	CHIP RES. 20K J 0603
R827-829.842-844	008-02042-600-0	CHIP RES. 200K J 0603
R328.333.338.343.391.392 .396.398	008-02212-600-0	CHIP RES. 220 J 0603
R389.390.833.848.853.856	008-02222-600-0	CHIP RES. 2.2K J 0603
R180A-180L.	008-02232-600-0	CHIP RES. 22K J 0603
R122A-122L.123A-	008-02432-600-0	CHIP RES. 24K J 0603
R854.857	008-03022-600-0	CHIP RES. 3K J 0603
R465.466.469.470.477.478 .481.482.671	008-03332-600-0	CHIP RES. 33K J 0603

<b>Ref.</b>	<b>Phonic Part No.</b>	<b>Specifications</b>
R830.845	008-03342-600-0	CHIP RES. 330K J 0603
R860.866	008-03932-600-0	CHIP RES. 39K J 0603
R120A-120L.121A- 121L.181A-	008-04722-600-0	CHIP RES. 4.7K J 0603
R467.468.RA9-A12	008-05122-600-0	CHIP RES. 5.1K J 0603
R326.331.336.341.373.375 .377.379	008-05632-600-0	CHIP RES. 56K J 0603
R138A-138L.	008-06212-600-0	CHIP RES. 620 J 0603
R822.825.838.841	008-06222-600-0	CHIP RES. 6.2K J 0603
R831.846	008-06802-600-0	CHIP RES. 68 J 0603
R834.849	008-06812-600-0	CHIP RES. 680 J 0603
R103A-103L.104A-104L. 203A.203B.204A.204B.83 5.850	008-06822-600-0	CHIP RES. 6K8 J 0603
RA1.A2.312-315	008-07532-600-0	CHIP RES. 75K J 0603
R823.858	008-08222-600-0	CHIP RES. 8.2K J 0603
R3001.3003- 3010.3014.3015.3018- 3020.3022.3024-3030.3032-3 034.3036.3037.3039.3040. 3044-3050.3054-3058.3060	008-10022-400-0	CHIP RES. 10K F 0603
R207A.207B.208A.208B	008-47012-400-0	CHIP RES. 4.7K F 0603
R3002.3012.3013.3051	008-49912-400-0	CHIP RES. 4K99 F 0603
CDS1.2	010-00007-000-0	CDS 32SR2S SILONEX
VR101A-101L.	022-50290-003-0	S.ROT/VR 5KZY L=30MM RD09F1130001-5KZ
C109A-109L	030-10818-000-0	E/C 1000MF Z 10V D8*14 P
C826.829.834.835.3002.30 12.3013.3020	030-22638-0A0-0	E/C 22MF Z 25V 5*11 T
C4106	032-10636-0A0-0	NP E/C 10MF M 25V 6.3*11 T
C491.492.4105	032-10636-0A0-0	NP E/C 10MF M 25V 6.3*11 T
C208A.208B	032-22626-0A0-0	NP E/C 22MF M 16V 5*11 T
CA6-A8.A10.A13.A14.801. 802.833	032-47626-0A0-0	NP E/C 47MF M 16V 6*11 T
CA9	032-47626-0A0-0	NP E/C 47MF M 16V 6*11 T
C102A-102L.103A-	033-10664-0A0-0	LN E/C 10MF J 63V T 6*11
C223A.223B.224A.224B.3 01.302.311.312.331.332.34 1.342.361.362.370.371.30 03.3005.152A-152L.153A- 153L.3008.3018	035-10635-0A0-0	MINI E/C 10MF K 25V T
C499A.499B.823.824.271A .271B.272A.272B.4101.41 02.4113.4114	035-10726-0A0-0	MINI E/C 100MF M 16V T (4*7)
C339.340.349.350	035-47636-0A0-0	MINI E/C 47MF M 25V T
C101A-101L.201A.201B	035-47665-0A0-0	MINI E/C 47MF K 63V T



Ref.	Phonic Part No.	Specifications
CA1-A5.A11.A12.227A.227 B.228A.228B	039-10124-220-0	CHIP C/C 100PF J 50V 0603
C4103.4104	039-10224-220-0	CHIP C/C 0.001MF J 50V 0603
CA15-A22.115A- 115L.116A-116L.214A.214 B.215A.215B.231A.231B.2 32A.232B.309.310.351.352 -354.359.360.4115.4116	039-10325-220-0	CHIP 0.01UF 50V K 0603 X7R
C828.836.3001.3004.3009. 3010.3014.3017.322.3024	039-10424-220-0	CHIP C/C 0.1MF J 50V 0603
C821.822	039-22024-220-0	CHIP C/C 22PF J 50V 0603
C111A-111L.209A.209B.80 3.818.820	039-22124-220-0	CHIP C/C 220PF J 50V 0603
C100A-100L.113A- 113L.114A-114L.211A- 213A.211B-213B.303.304. 307.308.337.338.347.348	039-27024-220-0	CHIP C/C 27PF J 50V 0603
C3006.3007.3016.3023	039-27224-220-0	CHIP C/C 0.0027MF J 50V 0603
C493.494.497.498.4107.41 08.4111.4112	039-33024-220-0	CHIP C/C 33PF J 50V 0603
C825.827.831.832	039-33425-220-0	CHIP C/C 0.33MF K 50V 0603
C112A-112L.210A.210B	039-39025-220-0	CHIP C/C 39PF K 50V 0603
C357.358.804.817.819	039-47024-220-0	CHIP C/C 47PF J 50V 0603
C106A-106L.107A- 107L.108A-108L.110A- 110L.204A-207A.204B-	039-47124-220-0	CHIP C/C 470PF J 50V 0603
C3011.3015.3019.3021	039-56305-220-0	CHIP C/C 0.056UF 16V K 0603
C305.306.333-336.343- 346.495.496.4109.4110	039-68024-220-0	CHIP C/C 68PF J 50V 0603
DP2.4	090-01562-010-0	Z/DIODE 5V6 K 0.5W FAIRCH
D1-8	090-02000-020-0	DIODE 1N4148
Q1-4.610	120-00000-800-0	TRN 2SC1815 GR TO-92-D REEL(TO)
Q101A-101L.102A-	120-00001-010-0	TRN 2SC2240 TO-92-D REEL(TO)
Q609	121-00006-100-0	TRP MJE350 SOT-93-D (ON)
U411	160-00018-000-0	IC NJM4556AL JRC
U1.2.308-311	160-00022-710-0	IC NJM2058V SMD REEL(JRC)
UA1-A3.3.IC101A-101L.20 3A.203B.204A.204B.U301. 303-305.412.801	160-00024-100-0	IC NJM4580M DMP (JRC) 2K SMD
SW402.803.804	210-01202-360-6	SLD/SW SS-22F20G8
SW801	210-01204-002-0	SLD/SW 2P4T
SW802	210-01403-010-0	SLD/SW 4P3T
SW101A-101L.	210-02202-070-0	PUSH/SW SPEC12HC11-JP
JK301	211-00041-100-0	4P RCA/J RL-1414-4D

<b>Ref.</b>	<b>Phonic Part No.</b>	<b>Specifications</b>
JK103A-103L.202A.202B.2 03A.203B.302-305.610.611	211-01602-380-0	6D3/J (SCJ-0658-Y)
JK401.402.402A- 402D.403.405.406.	211-01602-390-0	6D3/J JY-6351-02-030 SCJ-0658
JK404	211-01602-610-0	6D3/J
JK101A-101L	211-03300-030-6	COMBO CONNECTOR
JK200A.200B	211-03300-160-0	XLR/J SKCA229-1K3F2
CN301.302	211-10031-171-0	3P WAFER/S TJC3-3A PH=2.5MM
CN3	212-10041-240-0	4P WAFER/P 260MM
JP101A-101F.401	212-10080-040-0	8P WAFER/P 60mm UL1007#24 P=2.0
JP201	212-10111-001-0	11P WAFER/P 60MM UL1007#24 P=2.0
JP101.102	212-10130-080-0	13P WAFER/P 60MM UL1007#24 P=2.0
JP103	212-10150-070-0	15P WAFER/P 60MM P=2.0MM
JP601	212-10150-110-0	15P WAFER/P UL1007#24 250mm PH=2.5
JP4	212-10152-000-0	15P WAFER/P 720MM
	290-01670-101-0	PCB PODK-16 INPUT

## MAST PCB

Ref.	Phonic Part No.	Specifications
C145A.151A.156A.170A	000-22206-400-0	CF RES. 2K2 J 1/8W T
R386	000-22226-400-0	CF RES. 2K2 J 0.25W T
VR106A-106L.107A-107L.108A-108L.109A-109L	022-20350-001-0	S.ROT/VR 20KA L=30MM F=12MM
VR1.2	022-20350-010-0	S.ROT/VR 20KB 30MM P
VR102A-102L.103A-103L.105A-105L.	022-50350-050-0	S.ROT/VR 50KB(C.C) 30MM P
VR110A-110L.209A.209B	023-10350-020-0	D.ROT/VR 10KA/10KC 30MM P
VR104A-104L	023-10470-021-0	D.ROT/VR 100KC 30MM P ALPS
VR205A.205B.206A.206B .207A.207B.208A.208B.301-307.405.406.502.503.505.506	023-20350-001-0	D.ROT/VR 20KA 30MM P
VR404	023-50340-023-0	D.ROT/VR 50KB(C.C) L=17
VR201A.201B	023-50350-011-0	D.ROT/VR 50KC 30MM P
VR202A.202B.203A.203B.204A.204B	023-50350-060-0	D.ROT/VR 50KB(C.C) 30MM P
VR111A-111L.402A.402B.403	026-10326-040-0	S.SLD/VR 10KD 60MM P
	027-10326-020-0	S.SLD/VR 10KD 60MM P
VR601-610	027-10472-000-0	D.SLD/VR 100KW (C.C) 9.5MM LED
C544	035-10726-0A0-0	MINI E/C 100MF M 16V T (4*7)
C264B.413.2064B	035-47636-0A0-0	MINI E/C 47MF M 25V T
ZD901.902	090-01302-000-0	ZENER DIODE 1N5225 3V 0.5W
ZD1-4	090-01682-000-0	ZEN/DIODE 6.8V J0.5W UNIZO
LED101A-	100-00010-030-0	LED BL-B5141 RED
LD3.511-513.524-526	100-00040-000-0	LED BL-B3141 YLW
LED102A-102L.103A-103L.104A-104L.LD203A.203B.204A.204B.301-303.401-404.501-504.LD505-510.518-523.601.LED201A.201B	100-00050-000-0	LED BL-B2141 GRN
LED405	100-00060-000-6	LED D=3MM RED/GRN
LED803	100-00070-030-0	LED 204UBD D3 BLUE
Q210B	120-00006-200-0	TRN 2SC2878 TO-92-D REEL(TO)
Q603	121-00000-200-0	TRP 2SA1015GR TO-92-D REEL(TO)
Q526.527.601	121-00006-100-0	TRP MJE350 SOT-93-D (ON)
U23.24	177-02000-333-0	GAL ATF16V8B-15JC DIP (ATM)
SW402.602.603	210-01202-120-0	SLD/SW 2P2T H=19MM
SW102A-102L.201A.201B.103A-103L.104A-104L.105A-105L.202A.202B.204A.204B .301-303.SW403-405.501-504.605.609	210-02201-440-0	PSH/SW 2P2T SFPC12MC03-PF

<b>Ref.</b>	<b>Phonic Part No.</b>	<b>Specifications</b>
SW5	210-02202-080-0	PUSH SW UNLOCK MR4283
SW203A.203B.601.604	210-02402-050-0	P/SW SFPE14MD01-PJ
SW5	210-16000-000-0	PUSH SW UNLOCK MR4283
SW203A.203B.601.604	008-00002-600-0	P/SW SFPE14MD01-PJ
SW1.2	008-01002-600-0	ENCODER SDB161PVB20F-1-4-16PC
R568.581.588	008-00002-600-0	CHIP RES. 0 J 0603
R160A-160L.161A- 161L.517.518.547.548	008-01002-600-0	CHIP RES. 10J SMT 0603 PKG
R431.501.502.531.532.90 1.902	008-01012-600-0	CHIP RES. 100 J 0603
R148A-148L.149A-	008-01022-600-0	CHIP RES. 1K J 0603
RA19-A22.134A- 134L.135A-135L.146A- 146L.150A-150L.155A- 155L.186A-186L.	008-01032-600-0	CHIP RES. 10K J 0603
R94.220A.220B.224A.224 B.241A.241B.242A.242B.R 318A.319A.403.404.414A- 414D.424.424A.430.432.4 35.447.448.584.R451.452. 461.462.489-492.503.504. 507.508.513.514.517A.533 .534.537.538.543.544.R56 3-565.567.576.577.577A.5 78.578A.579A. 580.580A.5 80B.583.586.587.589-596. 607.R608.617.618.687.688 .691-694.875.876.4023		
R157A-157L.257A.257B.2 58A.258B.353.355.368.36 9.697.878-880	008-01042-600-0	CHIP RES. 100K J 0603
R518A	008-01052-600-0	CHIP RES. 1M J 0603
R277A.277B.278A.278B	008-01132-600-0	CHIP RES. 11K J 0603
R589A	008-01212-600-0	CHIP RES. 120 J 0603
R136A-136L.137A- 137L.591A.595A	008-01222-600-0	CHIP RES. 1.2K J 0603
R615A.615B.616A.616B.6 24A.624B	008-01232-600-0	CHIP RES. 12K J 0603
R187A-187L.126A- 126L.222A.222B	008-01332-600-0	CHIP RES. 13K J 0603
R175A-175L.176A-176L.3 16A.316B.300A.300B.301 A.301B.317A.317B.596A	008-01522-600-0	CHIP RES. 1.5K J 0603
	008-01542-600-0	CHIP RES. 15K J 0603
R696	008-01542-600-0	CHIP RES. 150K J 0603
R596B	008-01822-600-0	CHIP RES. 1.8K J 0603

<b>Ref.</b>	<b>Phonic Part No.</b>	<b>Specifications</b>
R412A.412B.413C.413D.4 23.434	008-01832-600-0	CHIP RES. 18K J 0603
R445.446.557.558.685.68 6.R324.325.347.357.363.3 71.401.402.411A.411C.411 D.457.459.525.526	008-02032-600-0	CHIP RES. 20K J 0603
R324.325.347.357.363.371 .401.402.411A.411C.411D. 457.459.525.526	008-02222-600-0	CHIP RES. 2.2K J 0603
R124A-124L.128A-128L.45 3.458.463.464.618A.618B	008-02232-600-0	CHIP RES. 22K J 0603
R127A-127L.223A.223B	008-02442-600-0	CHIP RES. 240K J 0603
R229A.229B.230A.230B	008-02712-600-0	CHIP RES. 270 J 0603
R239A.239B.240A.240B .243A.243B.244A.244B .247A.247B.248A.248B.	008-02722-600-0	CHIP RES. 2.7K J 0603
R251A.251B.253A.253B.5 21.522.551.552.R597A.59 7B.601-606.602A.609-614	008-02732-600-0	CHIP RES. 27K J 0603
R626A.626B.627A.627B.6 43A.643B.644A.644B	008-03022-600-0	CHIP RES. 3K J 0603
R177A-177L.263A.263B.2 64A.264B.287A.287B.288 A.288B.292A.292B.428.42 9.449.R167A-167L.173A- 173L.450	008-03032-600-0	CHIP RES 30K SMT J 0603 PKG
R168A-168L.252A.252B .256A.256B.289A.289B .330.334.340.345.381.382. 495.496.519.520.R549.550 .169A-169L.298A.298B.34 6.348.385.415A.415B.441. 499.523.553	008-03322-600-0	CHIP RES. 3.3K J 0603
R131A-131L.172A-	008-03332-600-0	CHIP RES. 33K J 0603
R597	008-03622-600-0	CHIP RES. 3.6K J 0603
R125A-125L.221A.221B. 421.422.583A.583B.651A .651B	008-03632-600-0	CHIP RES. 36K J 0603
R590	008-03912-600-0	CHIP RES. 390 J 0603
R302A.302B.303A.303B.5 100.5101	008-03922-600-0	CHIP RES. 3.9K J 0603
R588A	008-04702-600-0	CHIP RES. 47 J 0603
R421C.421D.549A.582.58 5.586B.598A.598B.273A.2 73B.274A.274B	008-04722-600-0	CHIP RES. 4.7K J 0603

<b>Ref.</b>	<b>Phonic Part No.</b>	<b>Specifications</b>
R144A-144L.147A-147L.2 91A.291B.490A.511.512.R 308A.308B.313A.313B.411 B.527.528.559.560	008-04732-600-0	CHIP RES. 47K J 0603
R581A.581B	008-05112-600-0	CHIP RES. 510 J 0603
R601A.877	008-05122-600-0	CHIP RES. 5.1K J 0603
R130A-130L.133A- 133L.140A-140L.141A- 141L.142A-142L.143A-143 L.412C.412D.561.562.R30 4A-307A.304B-307B.309A- 312A.309B-312B.621A.62 1B.622A.622B.629A.629B	008-05622-600-0	CHIP RES. 5.6K J 0603
R293A.293B	008-05632-600-0	CHIP RES. 56K J 0603
R619A.619B.625A.625B. 630A.630B.635A.635B.6 41A.641B.648A.648B.653 A.653B.657A.657B.R663 A.663B.670A.670B.162A- 162L.163A-163L .165A- 165L	008-06222-600-0	CHIP RES. 6.2K J 0603
R413A.413B	008-06232-600-0	CHIP RES. 62K J 0603
R237A.237B.238A.238B.2 45A.245B.246A.246B	008-06812-600-0	CHIP RES. 680 J 0603
R129A-129L.132A-132L.2 35A.235B.236A.236B.254 A.254B.255A.255B	008-06822-600-0	CHIP RES. 6K8 J 0603
R152A-152L.153A- 153L.154A-154L.283A- 286A.283B-286B	008-06832-600-0	CHIP RES. 68K J 0603
R592A	008-07512-600-0	CHIP RES. 750J 0603
R642A.642B.645A.645B	008-08212-600-0	CHIP RES 820 J 0603
R433	008-08222-600-0	CHIP RES. 8.2K J 0603
R584A.584B	008-08232-600-0	CHIP RES. 82K J 0603
R594A	008-09112-600-0	CHIP RES. 910 J 0603
R164A-164L.166A- 166L.178A-178L	008-09122-600-0	CHIP RES. 9.1K J 0603
R358-361	008-12032-400-0	CHIP RES 120K F 0603
R320.321	008-13012-400-0	CHIP RES. 1.30K F 0603 50V
R631A-634A.631B- 634B.640A.640B	008-15422-400-0	CHIP RES. 15K4 F 0603
R649A.649B.650A.650B.6 56A.656B	008-19122-400-0	CHIP RES. 19.1K F 0603
R665A.665B.666A.666B	008-30112-400-0	CHIP RES. 3.01K F 0603
R620A.620B.623A.623B.6 28A.628B	008-40202-400-0	CHIP RES. 402 F 0603
R352.354.366.367	008-43022-400-0	CHIP RES. 43K F 0603

<b>Ref.</b>	<b>Phonic Part No.</b>	<b>Specifications</b>
R659A.659B.660A.660B	008-48712-400-0	CHIP RES. 4.87K F 0603
R668A.668B	008-60412-400-0	CHIP RES. 6.04K F 0603
R497.498	008-68012-400-0	CHIP RES. 6.8K F 0603
R383.384	008-75012-400-0	CHIP RES. 7.5K F 0603
R637A.637B.638A.638B.646A.646B.	008-76812-400-0	CHIP RES. 7.68K F 0603 50V
R654A.654B.655A.655B.662A.662B	008-95312-400-0	CHIP RES. 9.53K F 0603
C154A-	039-10024-220-0	CHIP C/C 10PF J 50V 0603
C73.74	039-10424-220-0	CHIP C/C 0.1MF J 50V 0603
C243A.243B.244A.244B	039-12325-220-0	CHIP C/C 0.012UF 50V K 0603 X7R
C239A-242A.239B-242B	039-15325-220-0	CHIP C/C 0.015MF K 50V 0603
C268A.268B	039-22024-220-0	CHIP C/C 22PF J 50V 0603
C403.404.431A-431D.447	039-22124-220-0	CHIP C/C 220PF J 50V 0603
R130-137	000-22026-400-0	CF RES. 22 J 0.25W T
R582A.582B.587A.587B	000-22126-400-0	CF RES. 220 J 0.25W T
R145B-145L.151B-151L.156B-156L.170B-170L.290A.290B.294A.294B.295A.295B.299A.299B.420A.420B.442.579.616.698.873	000-22206-400-0	CF RES. 2K2 J 1/8W T
R350.365.529.555.569.599A.599B.600.4100	000-22226-400-0	CF RES. 2K2 J 0.25W T
R90.92.93	000-33106-400-0	CF RES. 330 J 1/8W T
R598.599	000-33226-400-0	CF RES. 3K3 J 0.25W T
C551.552	030-10424-0A0-6	E/C 0.1UF J 16V 5*11 T
C684	030-33558-0A0-0	E/C 3.3MF Z 50V 5*11 T
C236A.236B.237A.237B.409.410.415.416.421.422.439A-439D	032-22626-0A0-0	NP E/C 22MF M 16V 5*11 T
C104A-104L.143A-143L.144A-144L.145A-145L.216A.216B.255A.255B.256A.256B.267A.267B.269A.269B.273A.273B.323.324.435A-435D.436A.436B.441.446.448.453.454.480.487.488.545-550.683.2055A.2055B.4117.4118	035-10635-0A0-0	MINI E/C 10MF K 25V T
C458.4123.4124	035-10726-0A0-0	MINI E/C 100MF M 16V T (4*7)
C685	035-22556-0A0-0	MINI E/C 2.2MF M 50V T
C135A-135L.136A-136L.141A-141L.274A.274B.281A.281B.465.466.471.472.477-479.686.687	035-22626-0A0-0	MINI E/C 22MF M 16V T

<b>Ref.</b>	<b>Phonic Part No.</b>	<b>Specifications</b>
C401.402.403A-403D.445. 509.510.515.516.527.528. 533.534.575.576.581.582. 587-590.606.607.611.612. 670.671	035-22636-0A0-0	MINI E/C 22MF M 25V T
C553.554	035-47556-0A0-0	MINI E/C 4.7MF M 50V T
C105A-105L.117A- 117L.121A-121L.140A- 140L.150A-150L.157A-157 L.220A.220B.440C.440D.2 63A.263B.280A.280B.287 A.287B.461.462.901.902	035-47626-0A0-0	MINI E/C 47MF M 16V 5*7 T
C264A.411.412.414.467.46 8.2063A.2063B.2064A	035-47636-0A0-0	MINI E/C 47MF M 25V T
C543	035-47726-0A0-0	MINI E/C 470MF M 16V T
C134A-134L	039-27324-220-0	CHIP C/C 0.027UF J 0603 50V
C146A-146L.147A-147L.25 9A.259B.260A.260B.315.3 16.319.322.419.420.438A. 438B.463.249A.249B.250A .250B.464.469.470.2059A .2059B.2060A.2060B.	039-33024-220-0	CHIP C/C 33PF J 50V 0603
C125A-	039-33225-220-0	CHIP C/C 0.0033MF K 50V 0603 10%
C124A-124L.126A- 126L.620-625.641-646.	039-33325-220-0	CHIP C/C 0.033MF K 50V 0603 +/-10%
C613-618.635-640	039-33425-220-0	CHIP C/C 0.33MF K 50V 0603
C128A-128L.485.486.603- 605.608-610	039-47024-220-0	CHIP C/C 47PF J 50V 0603
C118A-118L.119A- 119L.120A-120L.217A- 219A.217B- 219B.449.450.459	039-47324-220-0	CHIP C/C 0.047MF J 50V 0603
C434A-434D.442.457.	039-56024-220-0	CHIP C/C 56PF J 50V 0603
C245A.245B.246A.246B	039-56224-220-0	CHIP C/C 0.0056MF J 50V 0603
C317.318.438C.438D	039-68024-220-0	CHIP C/C 68PF J 50V 0603
C571.572.577.578	039-82124-220-0	CHIP C/C 820PF J 50V 0603
D101A-101L.102A- 102L.103A-103L.201A- 205A.201B-205B.502- 512.601.602	090-02000-020-0	DIODE 1N4148
Q11.103A-103L.104A- 104L.203A.203B.204A.20 4B.401-403.504.513.521- 524.528.529.602	120-00000-800-0	TRN 2SC1815 GR TO-92-D REEL(TO)
Q105A-105L.106A-106 L.206A.206B.207A.207 B.209A.209B.210A.404- 407.501.502	120-00006-200-0	TRN 2SC2878 TO-92-D REEL(TO)



<b>Ref.</b>	<b>Phonic Part No.</b>	<b>Specifications</b>
	121-00000-200-0	TRP 2SA1015GR TO-92-D REEL(TO)
IC507-512	160-00006-210-0	IC LM339 SOP-M REEL (ST/NS)
U601-606	160-00022-710-0	IC NJM2058V SMD REEL(JRC)
IC102A.102C.102E.1 02G.102I.102K.103A- 103L.104A-104L.105A- 105L.U202.202A.205A.U2 05B.206A.206B.207.207B .208A.208B.209A.209B.3 02.401-410.413.414.501-	160-00024-100-0	IC NJM4580M DMP (JRC) 2K SMD
	290-01670-001-0	PCB PODK-16 MASTER

**AMP PCB**

<b>Ref.</b>	<b>Phonic Part No.</b>	<b>Specifications</b>
PR87.88	003-10071-602-0	CEMENT RES. 10 J 2W P
PR18.20.66.69	003-10071-602-0	CEMEN RE. 0.1 J 5W
PR34.34A.37.37A.40.40A.4 8.48A.52.52A.54.54A	003-10093-602-0	CEMENT RES. 0.22R J 5W SOF-05
PR31.31A.45.45A	003-22093-603-0	MF RES. 100F 0.5W M
PR97	006-10003-420-0	MF RES 10 F 1/4W
PTC1	011-22010-000-0	PTC PTMS2331RP416B16
PC23.45	030-10798-0A0-0	E/C 100UF M 160V
PC46	030-10826-000-0	E/C 1000MF M 16V 10*18 P
PC29	030-47726-000-0	E/C 470MF M 16V 8*16 P
PC30-33	042-104A8-050-0	C/C2 0.1MF Z 250V 5
PC10.22	051-33515-000-0	M.P/C 3.3UF 100V K
PL2.5	072-20140-000-0	BEAD COIL 1.4UH
PL1.4	072-20141-000-0	BEAD COIL 100UH
PL7.8	075-10082-200-0	INDUCTANCE 1UH K M
PRY1.2	076-02422-010-0	RELAY OSA-SH-224DM3M □□
	090-00007-020-0	DIODE 1N4004 SILTEK T
PD14.22	090-00030-000-0	DIODE H16C40C MOSPEC
PDA2.2A	090-00031-000-0	DIODE HER103
PDA13.13A.21.21A	090-00047-000-0	DIODE F08A20
PD3.3A.11.11A.19.19A.30 .30A	090-02004-000-0	DIODE 1N4935 T
PQ13.14.16.17.21-23.21A- 23A	120-00008-600-0	TRN 2SC5200-O DIP(TO) 100
PQ43	120-00009-500-0	TRN 2SC4793-M DIP(TO) 500
PQ11.19.19A.31.31A.32. 32A	120-00011-700-0	TRAN 2SC3468
PQ12.20.20A.30	120-00011-800-0	TRAN. 2SC4883A
PQ25-28.25A-27A.29.35.36	121-00006-000-0	TRP 2SA1943-O DIP(TO) 100
PQ8.8A.10.10A.33.33A.37	121-00009-100-0	TRAN 2SA1371
PQ15.24.24A.34	121-00009-700-0	TRAN. 2SA1859A
PU1	160-00001-219-0	IC 7812 DIP (ST) 400
PU4	160-00002-909-0	IC ST7915 TO-220-D(ST)
PU2.5	160-00004-114-0	IC 7805 DIP(ST) 400
PU3	160-00005-909-0	IC ST7815 TO-220-D(ST) DIP
PTC2	210-10085-010-0	TMP/SW US-602SXTFQL 85/75
PL1.4	290-61062-400-0	POD1062 DELUXE PCB
PR3.3A.4.4A.32.32A.46.4 6A	006-10002-440-0	MF RES. 100 F 0.25W T
PR79.83-85.89.94	006-10022-440-0	MF RES. 10K F 0.25W T
PR10.10A	006-10032-440-0	MF RES. 100K F 0.25W T
PR96.99	006-10072-440-0	MF RES 10 F 1/4W

<b>Ref.</b>	<b>Phonic Part No.</b>	<b>Specifications</b>
PR17.27.27A.56.56A.65	006-15002-420-0	MF RES. 150 F 0.25W M
PR1A.1	006-15012-440-0	MF RES 1K5 F 0.25W T
PR26.26A.42.42A.91	006-15022-440-0	MF RES. 15K F 0.25W T
PR81.82	006-15032-440-0	MF RES. 150K F 0.25W T
PR29.29A.43.43A.75.78	006-22002-440-0	MF RES. 220 F 0.25W T
PR15.64.80	006-22012-440-0	MF RES 2K2 F 0.25W T
P2.2A.5.5A.90	006-22022-440-0	MF RES 22K F 0.25W T
PR14.35.35A.38.38A.41.41 A.49.49A.51.51A.55.55A.63	006-22072-440-0	MF RES. 22 F 0.25W T
PR16.19.22-24.67.68.70- 72.76.77	006-22082-440-0	MF RES. 2.2 F 0.25W T
PR95.95A	006-27012-440-0	MF RES. 2.7K F 0.25W T
PR7.7A.30.30A.44.44A.59 .59A	006-33002-440-0	MF RES. 330 F 0.25W T
PR98	006-33012-440-0	MF RES. 3K3 F 0.25W T
PR33.33A.36.36A.39.39A.4 7.47A.50.50A.53.53A	006-33072-440-0	MF RES. 33 F 0.25W T
PR11.11A.12.12A.60.60A. 61.61A	006-47022-440-0	MF RES. 47K F 0.25W T
PR21.73.92.93	006-47082-440-0	MF RES. 4.7 F 0.25W T
PR6.6A.8.8A.28.28A.57.57 A.58.58A	006-56002-420-0	MF RES. 560 F 0.25W M
PR13.62	006-56012-440-0	MF RES. 5K6 F 0.25W T
PR86	006-56022-440-6	MF RES. 56K +/-1% 0.25W T
PR25.74	006-68002-440-0	MF RES. 680 F 0.25W T
PC28	030-10638-0A0-0	E/C 10MF Z 25V 5*11 T
PC14.14A.21.21A.26.34-41	030-10668-0A0-0	E/C 10MF Z 63V 5*11 T
PC6-8.6A.12.18.18A.25	030-225C5-0A0-0	E/C 2.2UF K 200V
PC42-44	030-47586-200-0	E/C 4.7MF M 100V 5*11 P
PC1.1A.27	032-47626-000-0	NP E/C 47MF M 16V 8*13 P
PC9.9A.19.19A	042-10085-000-0	C/C2 10PF K 500V
PC11.17.17A.20	042-101A6-050-0	C/C2 100PF M 250V 5 T
PC3.3A.4.4A	042-10225-050-0	C/C2 0.001MF K 50V 5 T
PC5.5A	042-10325-050-0	C/C2 0.01MF K 50V T
PC15.15A.16.16A	042-22225-050-0	C/C2 0.0022MF K 50V 5 T
PC13.24	042-222A5-050-0	C/C2 0.0022UF 250V K
PC2.2A	042-27085-000-0	C/C2 27PF K 500V 5
PZD5-8	090-01223-000-0	Z/DIODE 22V 0.5W 1N5251B
PZD3	090-01273-010-0	ZEN/DIODE 27V K 0.5W
PZD4	090-01303-010-0	Z/DIODE 30V K 0.5W FAIRCH
PZD1.1A.2.2A	090-01562-010-0	Z/DIODE 5V6 K 0.5W FAIRCH
PZD9	090-01752-010-0	ZEN/DIODE 7V5 K 0.5W FAIRCH

<b>Ref.</b>	<b>Phonic Part No.</b>	<b>Specifications</b>
PD1.1A.4-10.4A-10A.15.15 A.17.17A.23.24.31	090-02000-020-0	DIODE 1N4148 T26MM MINI
PQ4.4A.5.5A.40-42	120-00000-800-0	TRN 2SC1815 GR TO-92-D REEL(TO)
PQ3.3A.7.7A	120-00001-010-0	TRN 2SC2240 TO-92-D REEL(TO)
PQ39	121-00000-200-0	TRP 2SA1015GR TO-92-D REEL(TO)
PQ1.1A.2.2A.6.6A.9.9A.38	121-00000-500-0	TRP 2SA970-BL TO-92-D REEL (TO)
	290-01660-302-0	K-12 AMP PCB

## POD885 CLASSIFICATION

Ref.	Phonic Part No.	Specifications
<b>IEC</b>		
T903	070-20909-500-0	X'MER IEC 230V PODK-12
FS901	280-1538B-000-0	FUSE 15A 250V UL/CSA/JIS S
FS902.903.904	280-2026B-000-0	FUSE 2A 250V UL/CSA/JIS S
FS905	280-80266-000-0	FUSE T8A/250V UL/CSA S
	370-15640-921-6	P/CORD 230V 10A 6T 3P
	573-61030-000-0	FUSE LABEL T8A H250V
<b>UL</b>		
T903	070-20909-500-0	X'MER IEC 230V PODK-12
FS901	280-1538B-000-0	FUSE 15A 250V UL/CSA/JIS S
FS902.903.904	280-2026B-000-0	FUSE 2A 250V UL/CSA/JIS S
	370-15640-921-6	P/CORD 230V 10A 6T 3P
<b>SA</b>		
T903	070-20909-500-0	X'MER IEC 230V PODK-12
FS901	280-1538B-000-0	FUSE 15A 250V UL/CSA/JIS S
FS902.903.904	280-2026B-000-0	FUSE 2A 250V UL/CSA/JIS S
FS905	280-80266-000-0	FUSE T8A/250V UL/CSA S
	370-06610-321-0	P/CORD 240V 15A 6F 3P SA
	573-61030-000-0	FUSE LABEL T8A H250V
<b>SAA</b>		
T903	070-20909-500-0	X'MER IEC 230V PODK-12
FS901	280-1538B-000-0	FUSE 15A 250V UL/CSA/JIS S
FS902.903.904	280-2026B-000-0	FUSE 2A 250V UL/CSA/JIS S
FS901	280-80266-000-0	FUSE T8A/250V UL/CSA S
	370-11610-821-0	P/CORD 240V 15A 6F 3P SAA
	573-61030-000-0	FUSE LABEL T8A H250V
<b>JIS</b>		
T903	070-20900-600-0	X'MER 100V JIS PODK12
FS901	280-1538B-000-0	FUSE 15A 250V UL/CSA/JIS S
FS902.903.904	280-2026B-000-0	FUSE 2A 250V UL/CSA/JIS S
	370-16610-629-0	P/CORD 100V 15A 6F 3P JIS
<b>BS</b>		
T903	070-20909-500-0	X'MER IEC 230V PODK-12
FS901	280-1538B-000-0	FUSE 15A 250V UL/CSA/JIS S
FS902.903.904	280-2026B-000-0	FUSE 2A 250V UL/CSA/JIS S
FS901	280-80266-000-0	FUSE T8A/250V UL/CSA S
	370-01610-921-0	P/CORD 240V 15A 6F 3P BS
	573-61030-000-0	FUSE LABEL T8A H250V

**PHONIC**  
[WWW.PHONIC.COM](http://WWW.PHONIC.COM)