

Integrated Mobile Sound System

RoadGear160/260

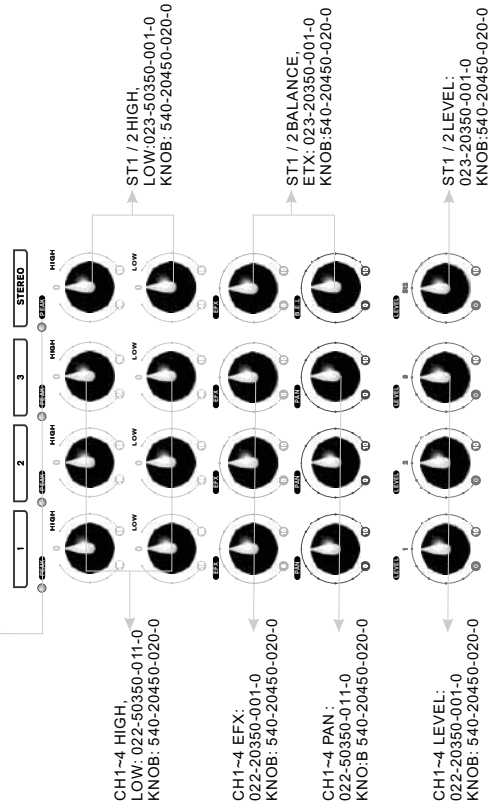
SERVICE MANUAL



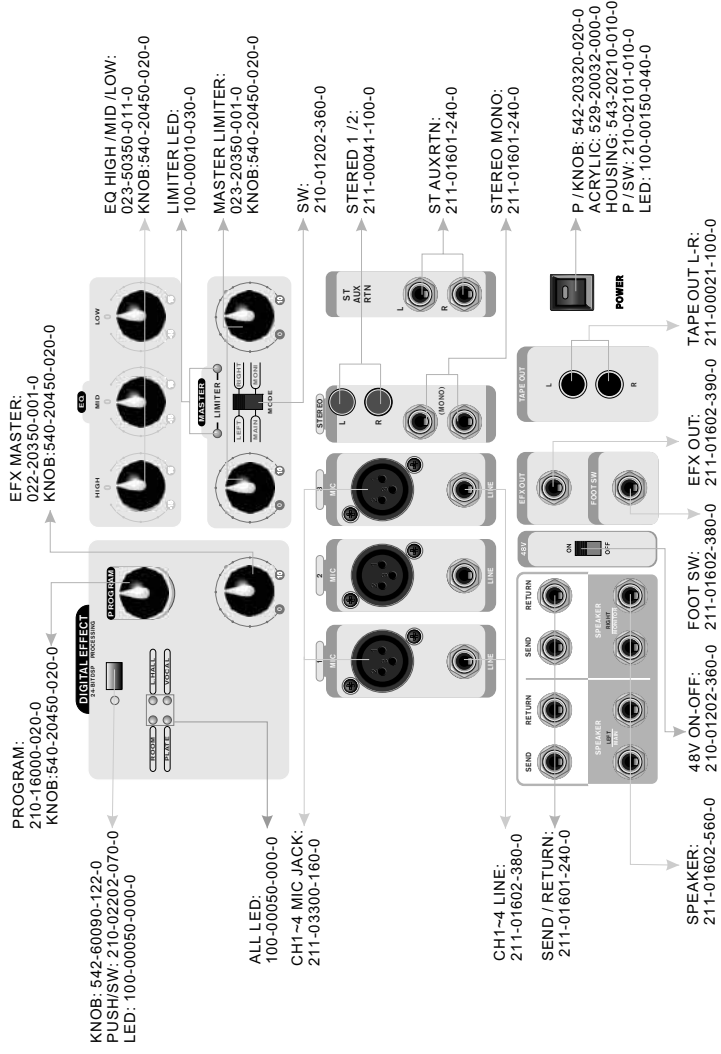
CONTENTS

PANEL LAYOUT160.....	3
PANEL LAYOUT260.....	4
R o a d G e a r	1 6 0
BLOCK DIAGRAM.....	5
MAIN BOARD PCB.....	6
LIMIT.....	7
R POWER AMP	8
L POWER AMP.....	9
SWITCHING POWER.....	10
ST INPUT.....	11
SPK CIRCUIT POWER PCB.....	12
AUX_RTN INPUT.....	13
CROSS OVER.....	14
CH_1 INPUT.....	15
CH_2 INPUT.....	16
CH_3 INPUT.....	17
A/D D/A CONVERTER.....	18
EFFECT DSP160/260	19
PROGRAM & CTL.....	20
R o a d G e a r	2 6 0
BLOCK DIAGRAM.....	21
SWITCHING POWER.....	22
ST AUX_RTN INPUT.....	23
SPK CIRCUIT POWER PCB.....	24
MAIN.....	25
LIMIT.....	26
L POWER AMP.....	27
CROSS OVER.....	28
ST1 INPUT.....	29
ST2 INPUT.....	30
CH_1 INPUT.....	31
CH_2 INPUT.....	32
CH_3 INPUT.....	33
CH_4 INPUT.....	34
A/D D/A CONVERTER-160/260.....	35
EFFECT DSP.....	36
PROGRAM & CTL.....	37
BOM160.....	38
BOM260.....	56

PEAK LED: 100-00010-030-0

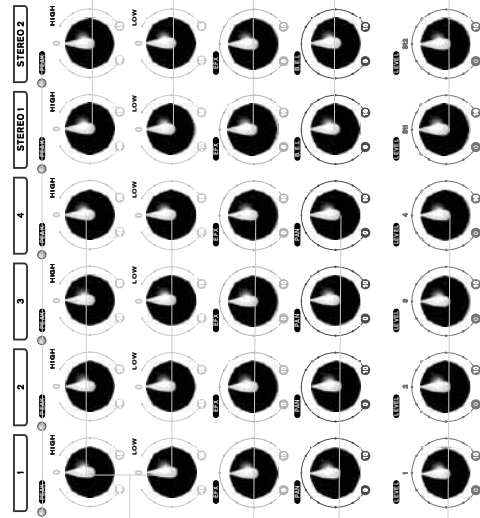


Complete PA system
RoadGear 160



PANEL LAYOUT

PEAK
LED: 100-00010-030-0



CH1-4 HIGH:
LOW: 022-50350-011-0
KNOB: 540-20450-020-0

ST1 / 2 HIGH, LOW:
023-50350-001-0
KNOB: 540-20450-020-0

CH1-4 EFX:
022-20350-001-0
KNOB: 540-20450-020-0

ST1 / 2 BALANCE:
ETX : 023-20350-001-0
KNOB: 540-20450-020-0

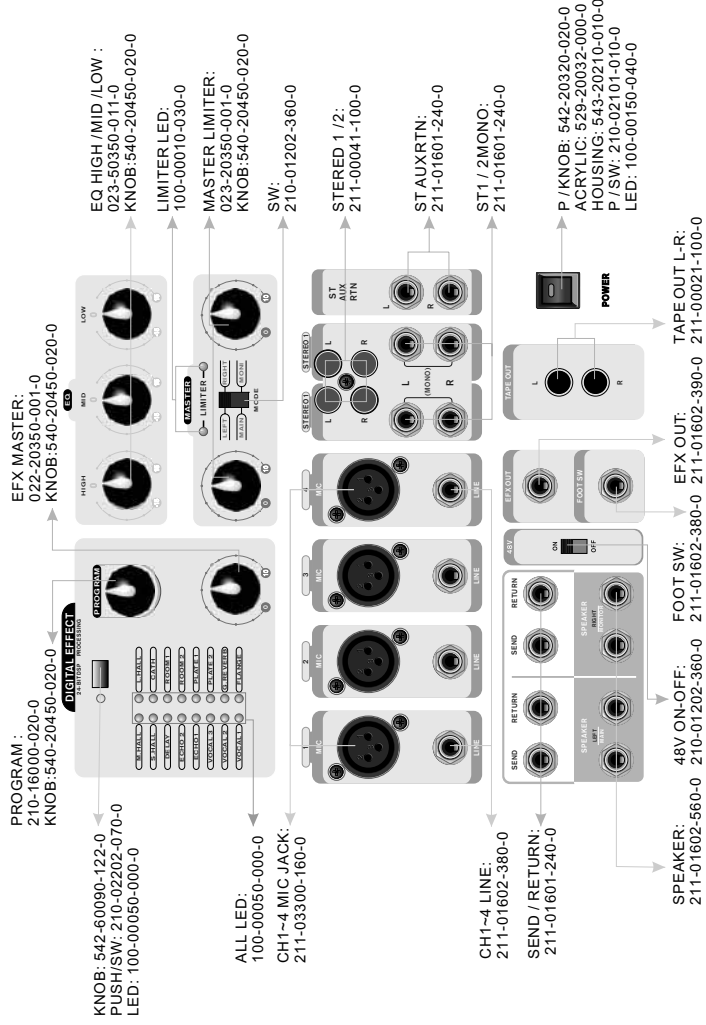
CH1-4 PAN:
022-50350-011-0
KNOB: 540-20450-020-0

CH1-4 LEVEL:
022-20350-001-0
KNOB: 540-20450-020-0

ST1 / 2 LEVEL:
023-20350-001-0
KNOB: 540-20450-020-0

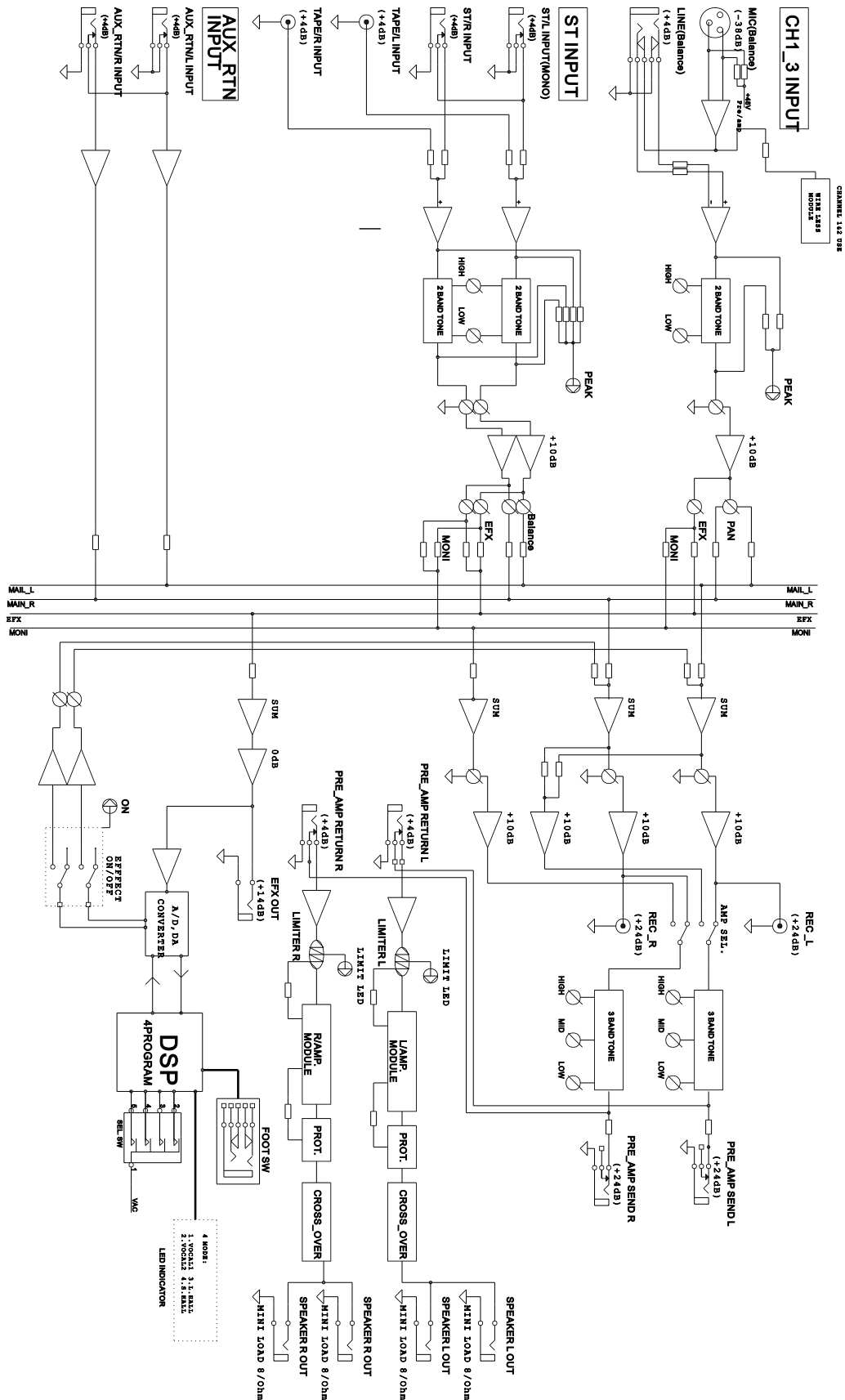
RoadGear 260

Complete PA system

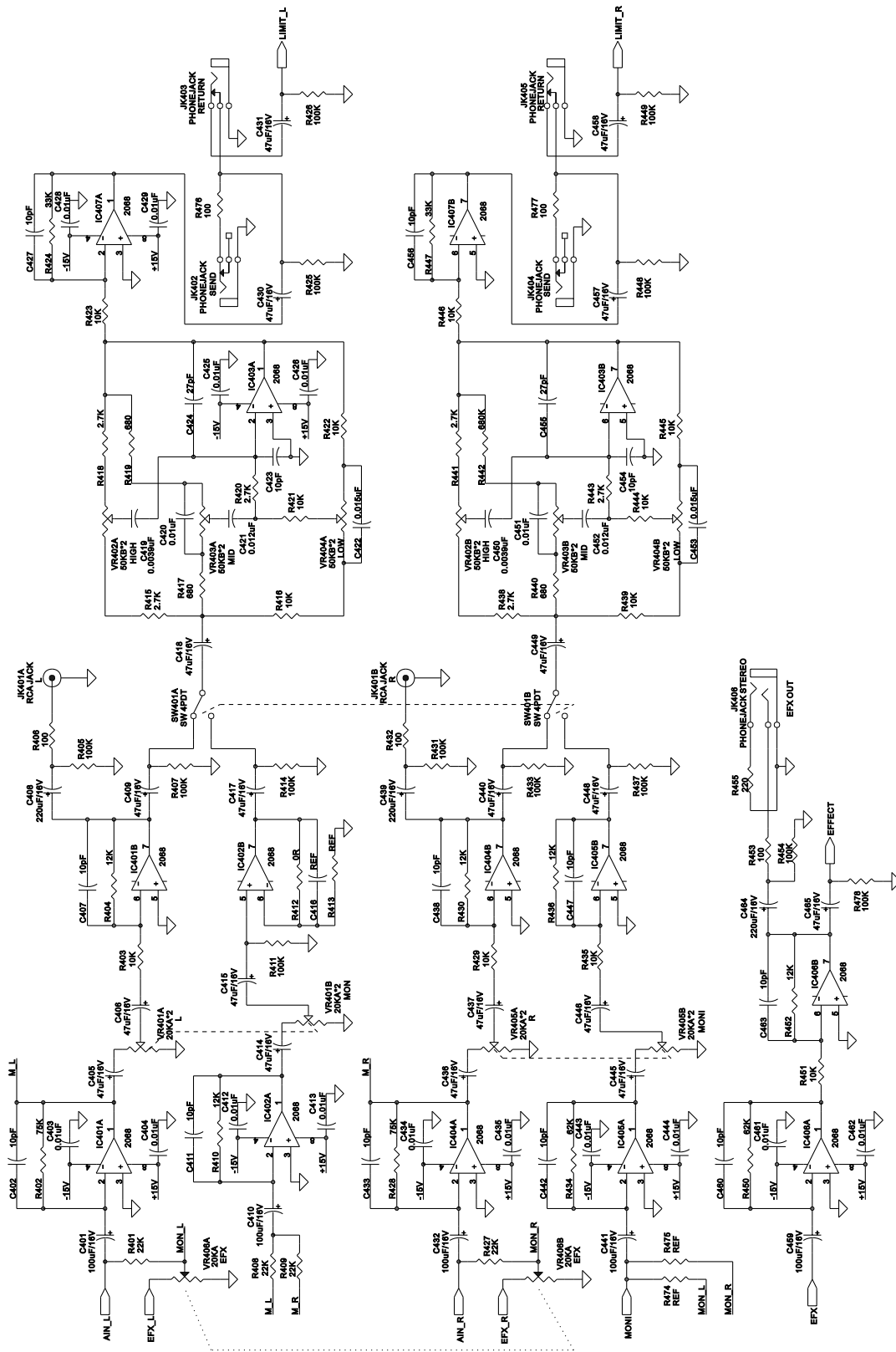


PANEL LAYOUT

BLOCK DIAGRAM-160

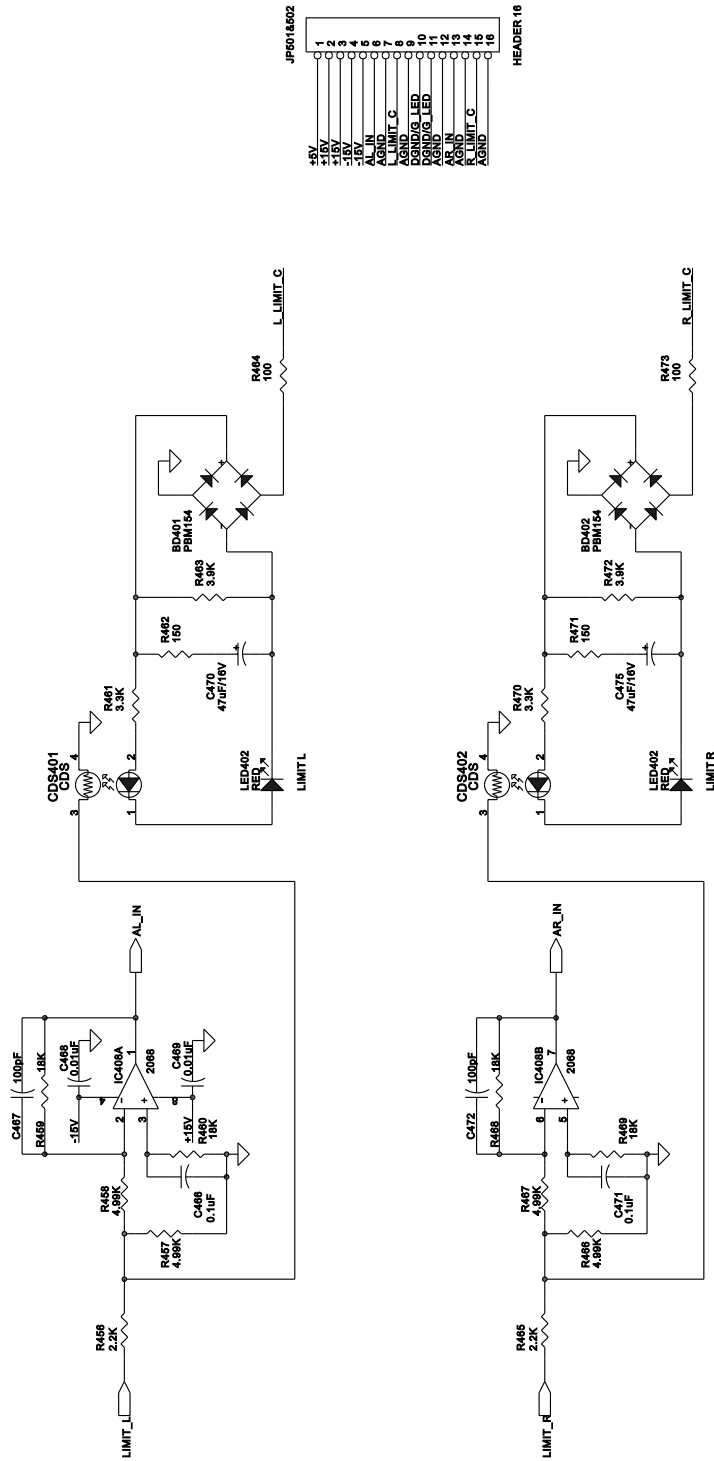


MAIN BOARD PCB -160

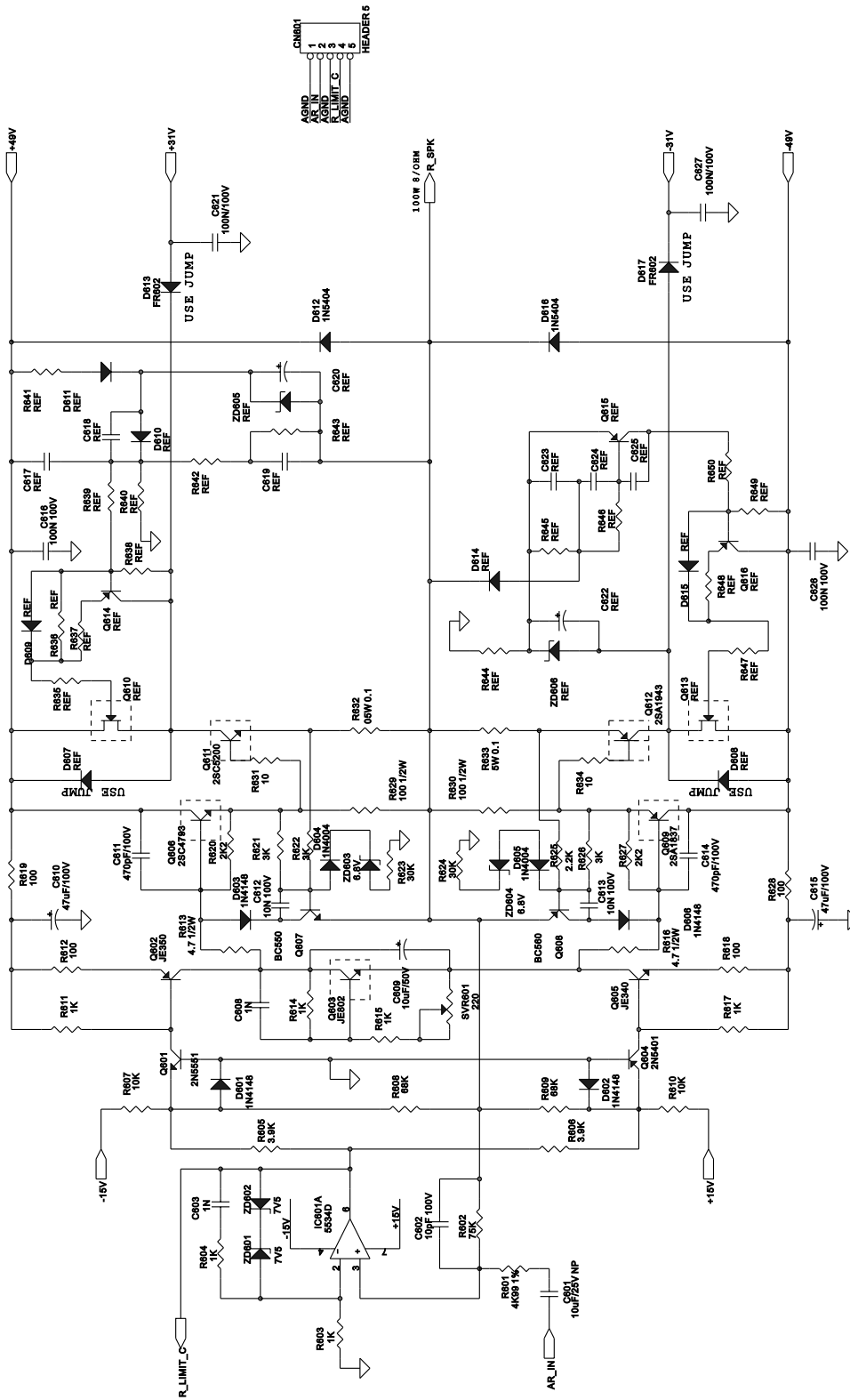


PHONIC CORP.			
Title	ROADGEAR160D MAIN	Docu. Number	Rev
Size	A3	MAIN.SCH	A
Date	Thursday, April 01, 2004	Sheet	7 of 10

LIMIT -160

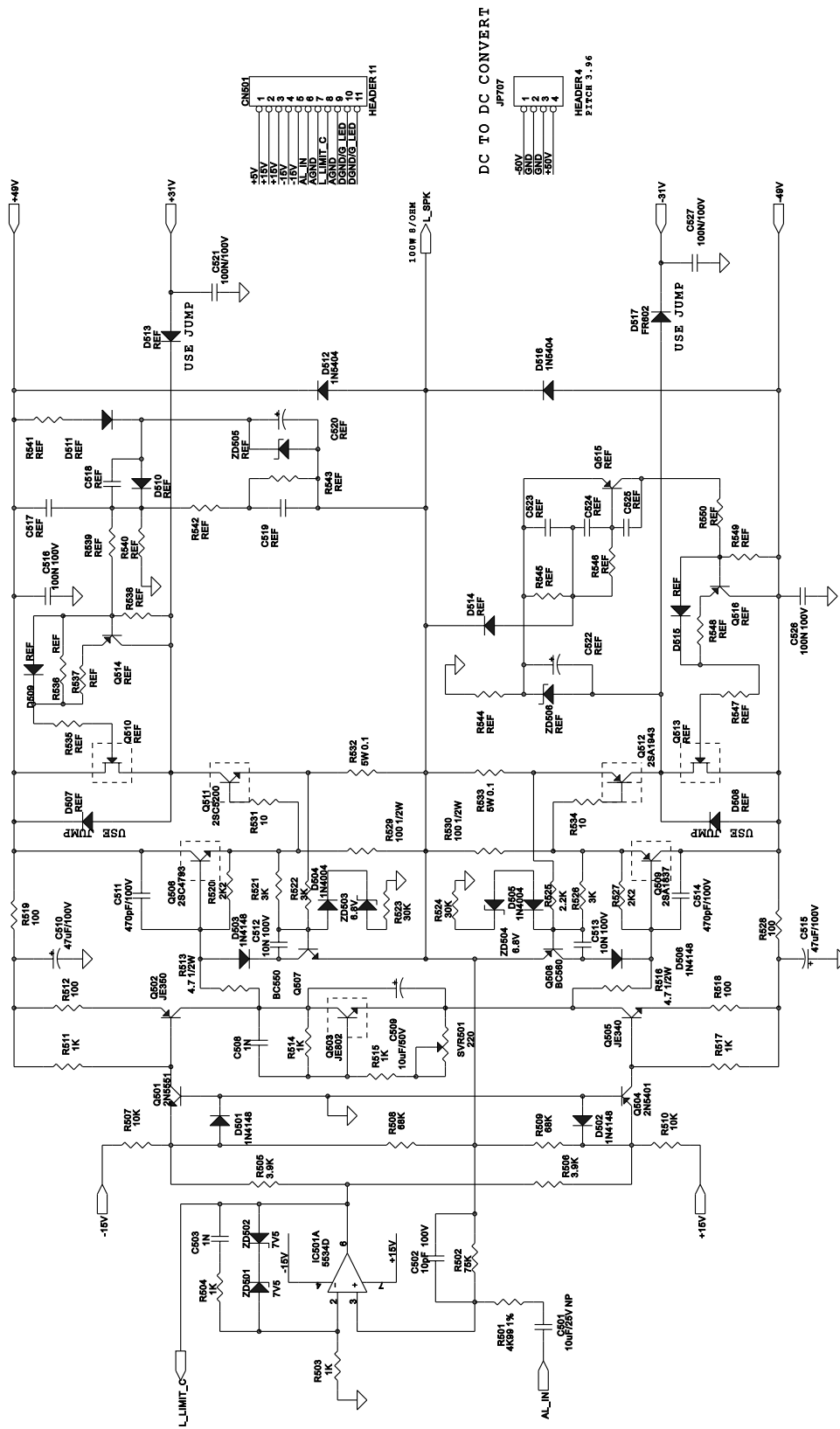


R POWER AMP -160

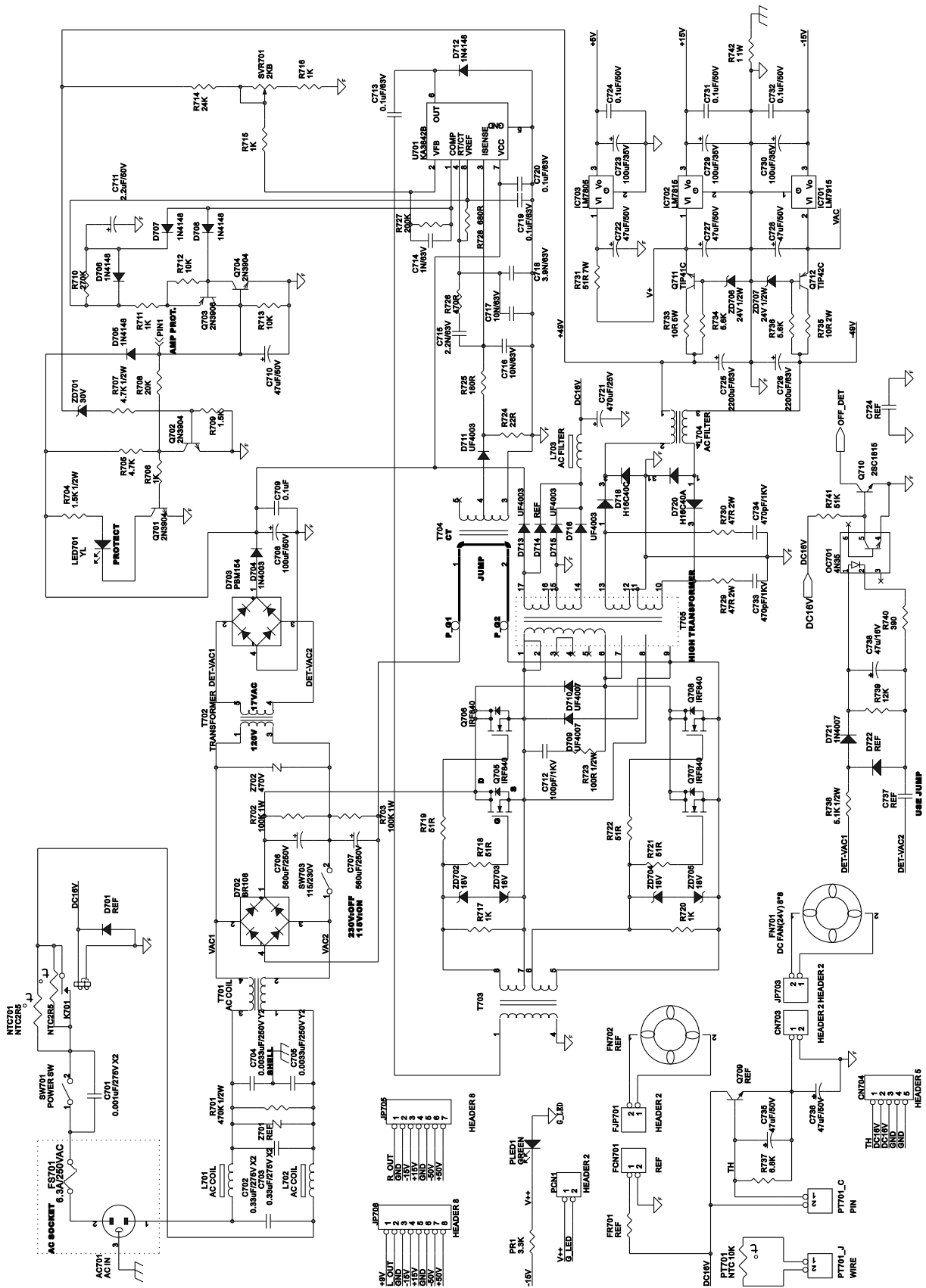


L POWER AMP -160

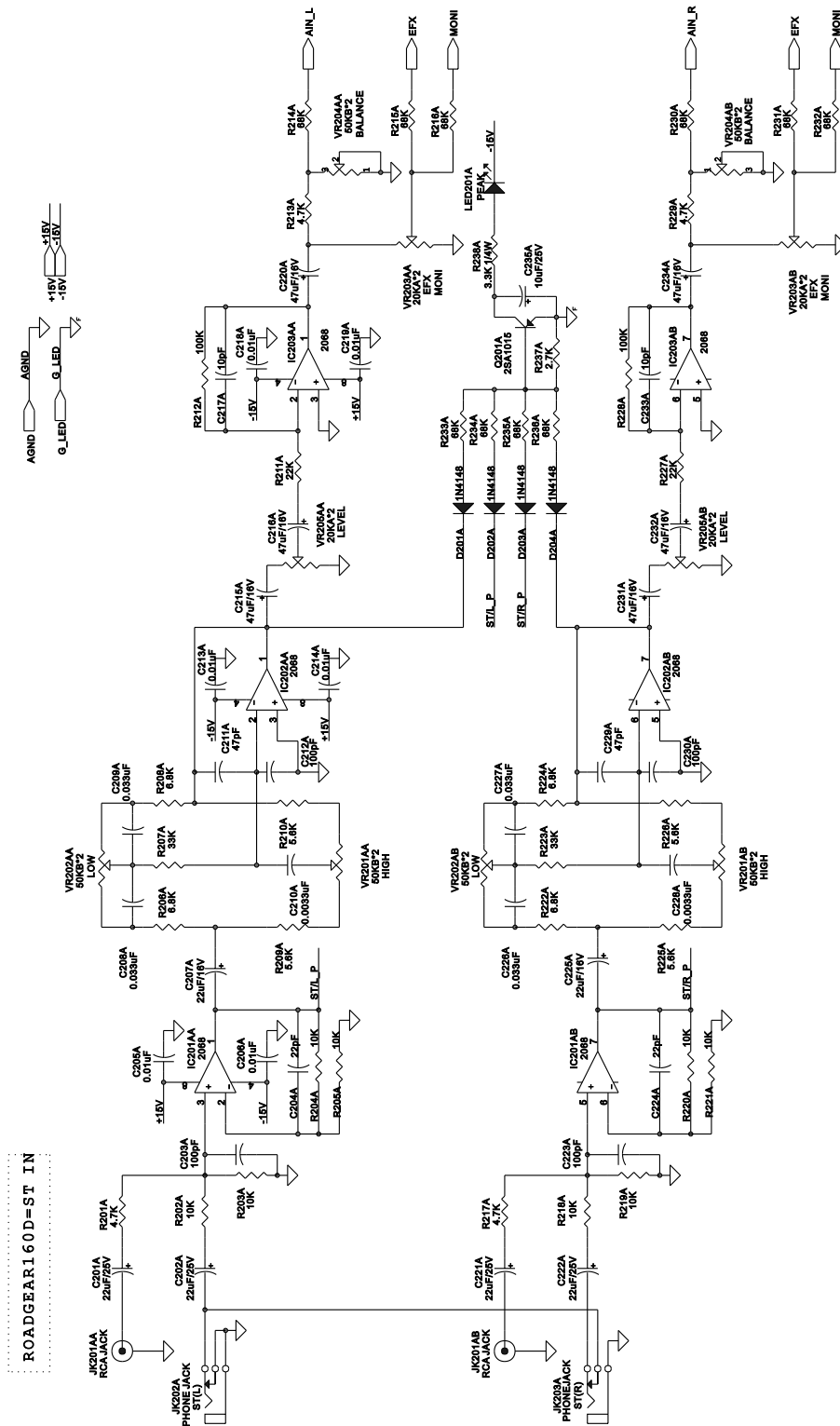
--- ON HEAT SINK PCB ---



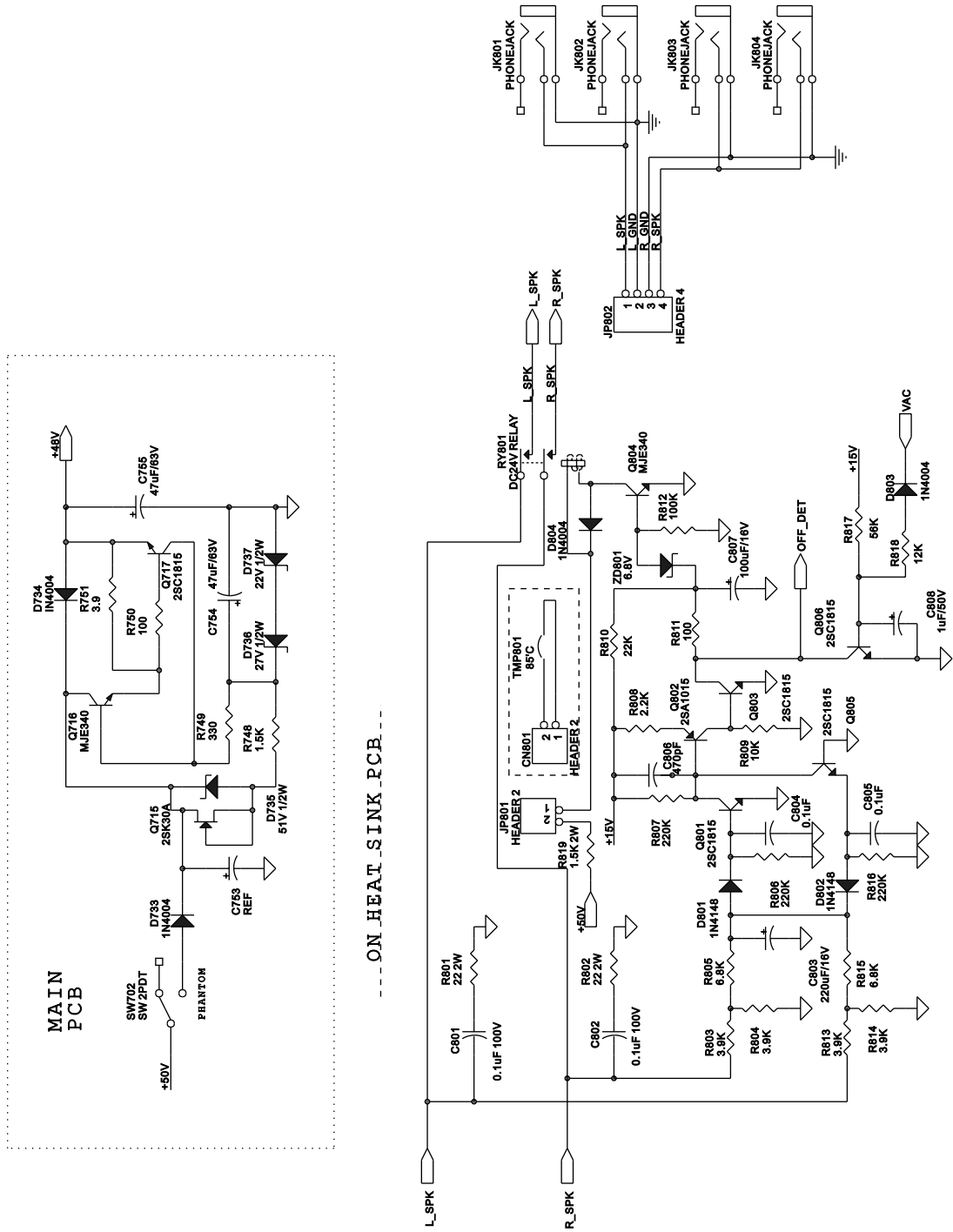
SWITCHING POWER -160



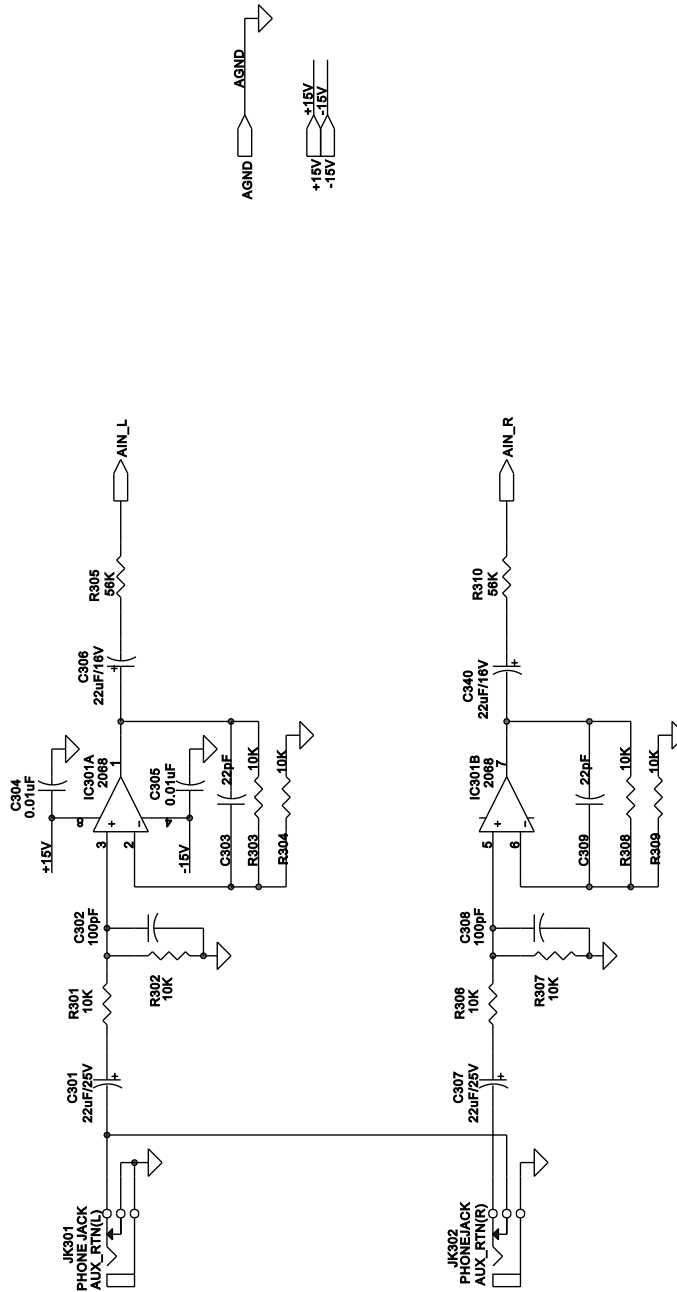
ST INPUT-160



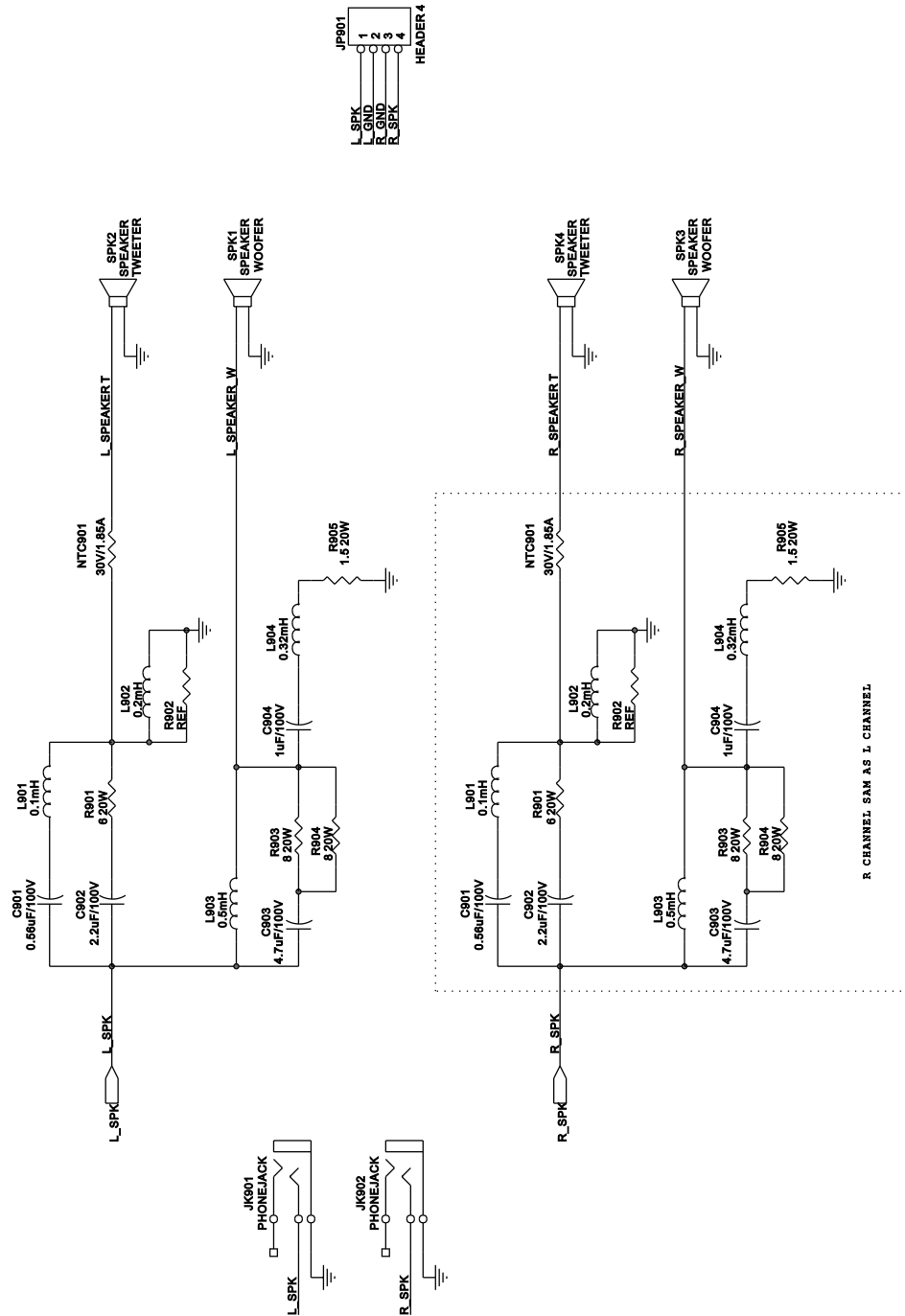
SPK CIRCUIT POWER PCB-160



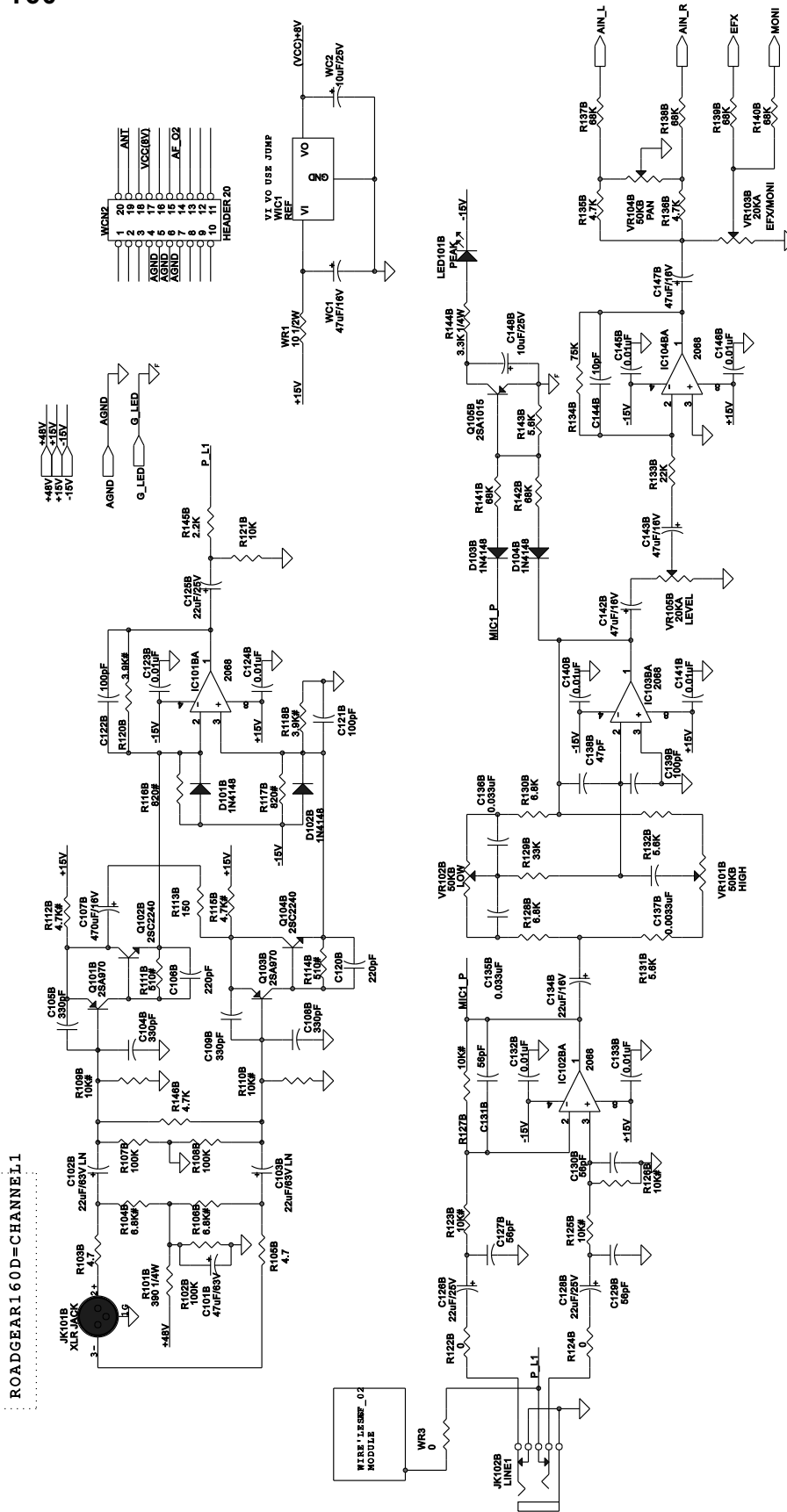
AUX_RTN INPUT-160



CROSS OVER-160

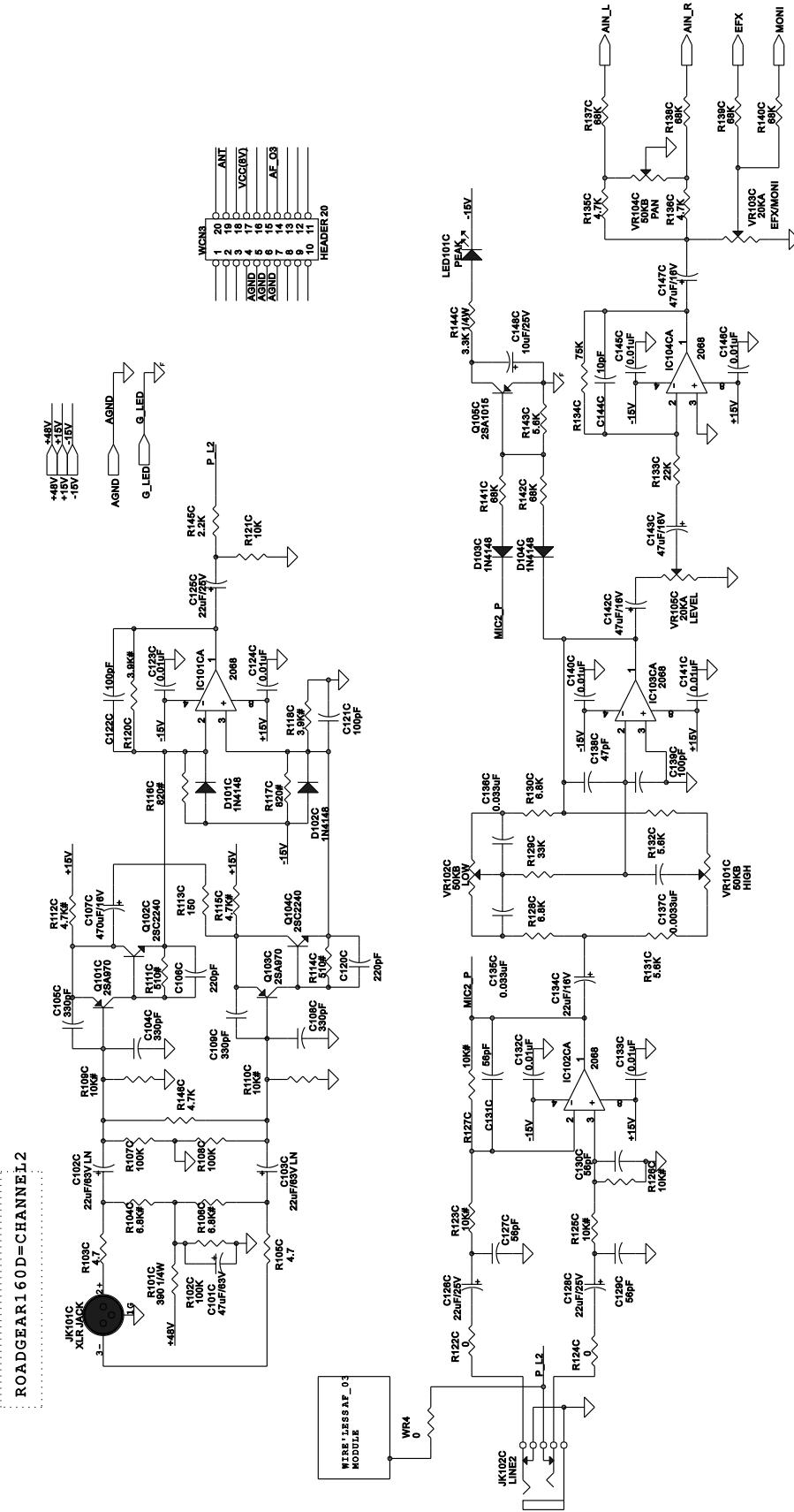


CH_1 INPUT-160

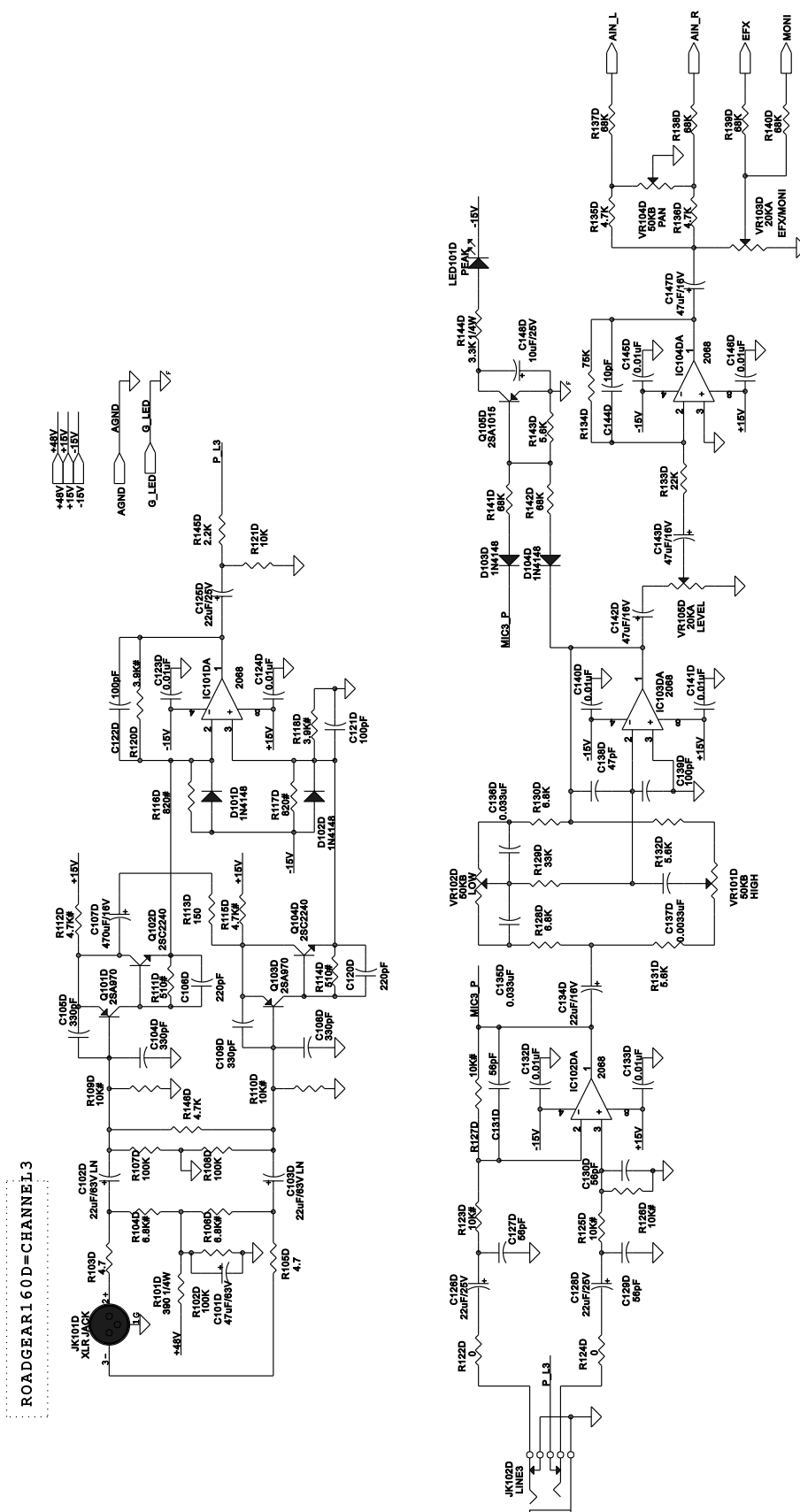


ROADGEAR160D=CHANNEL1

CH_2 INPUT-160

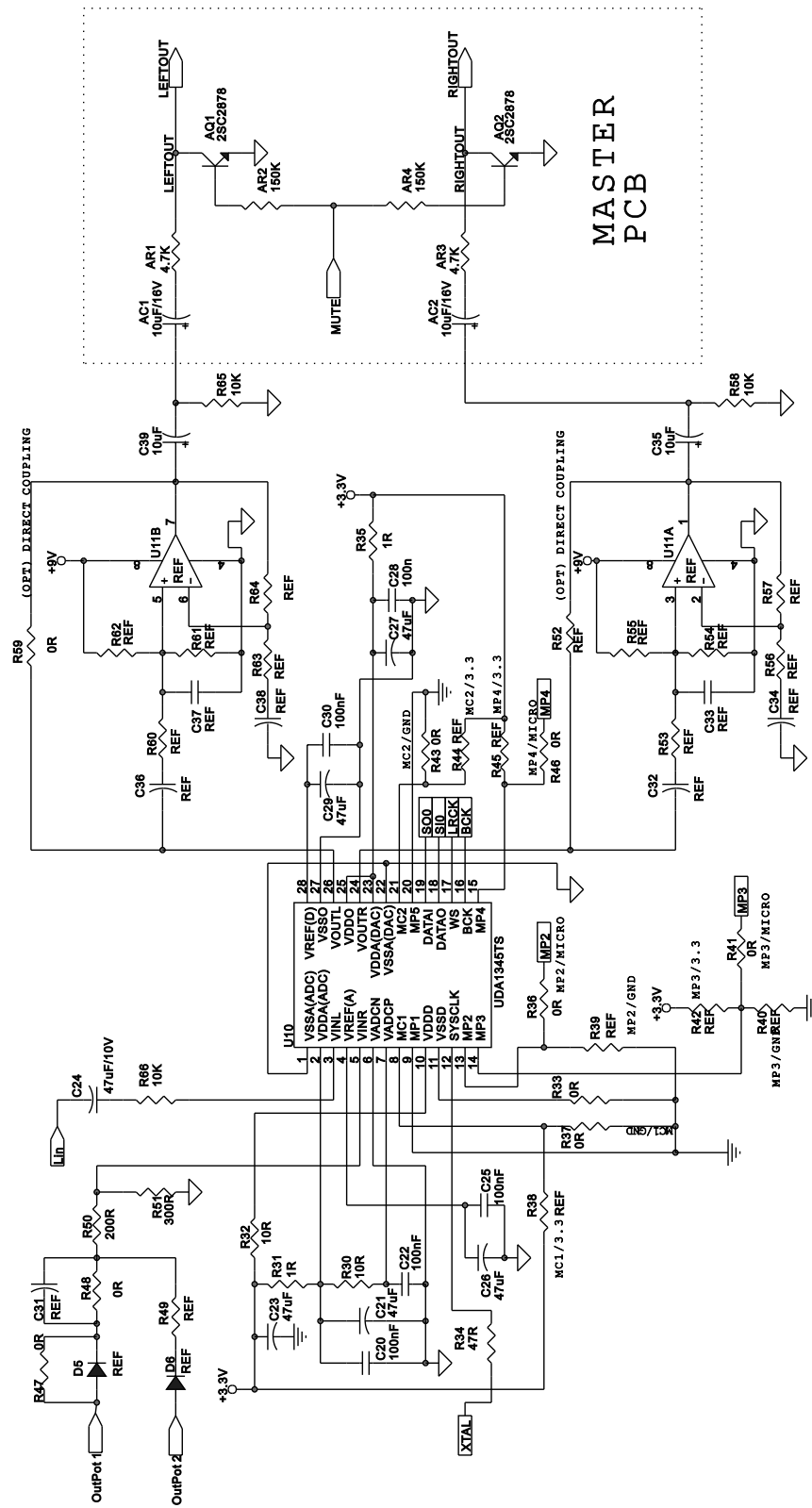


CH_3 INPUT-160

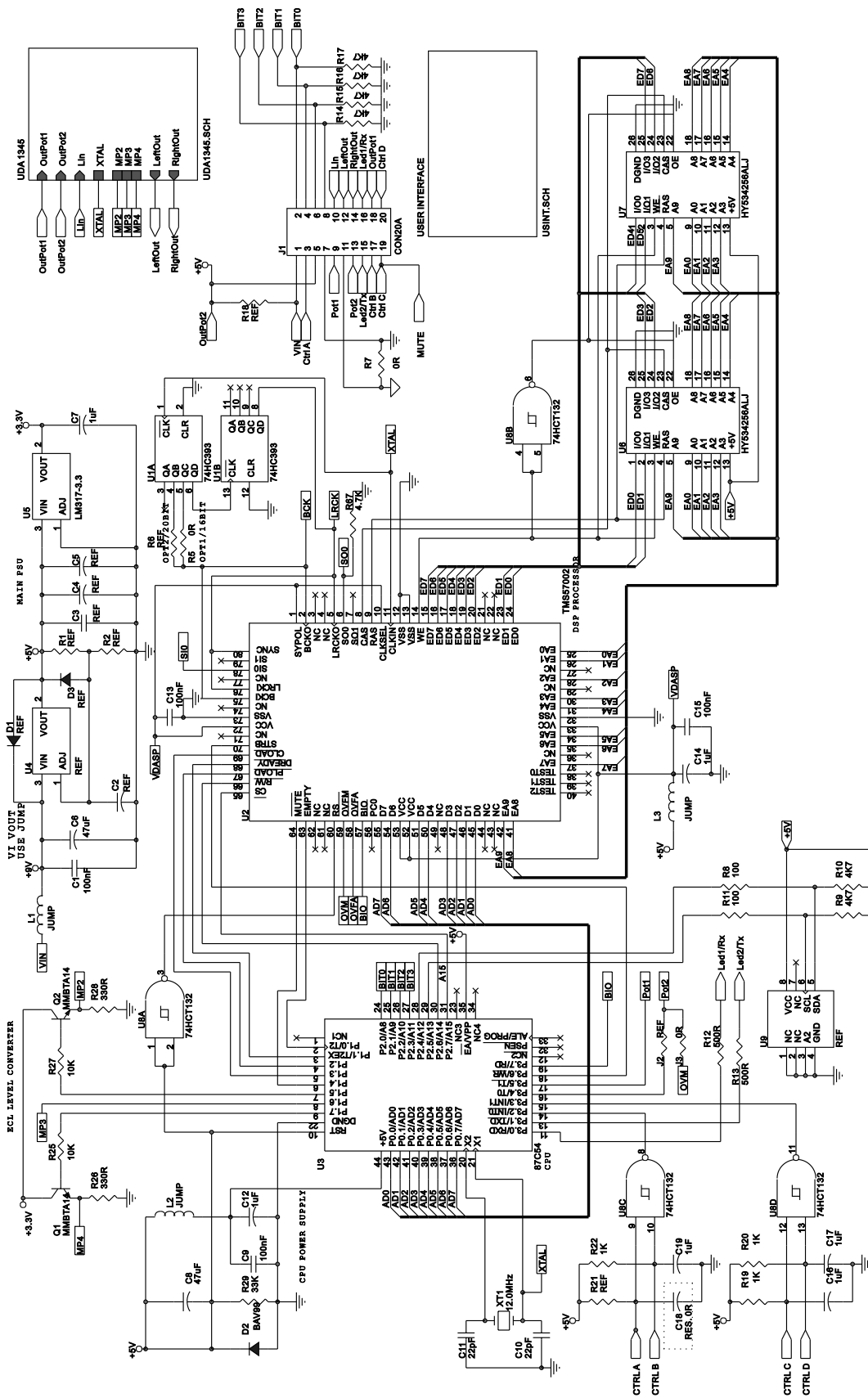


ROADGEAR160D=CHANNEL 3

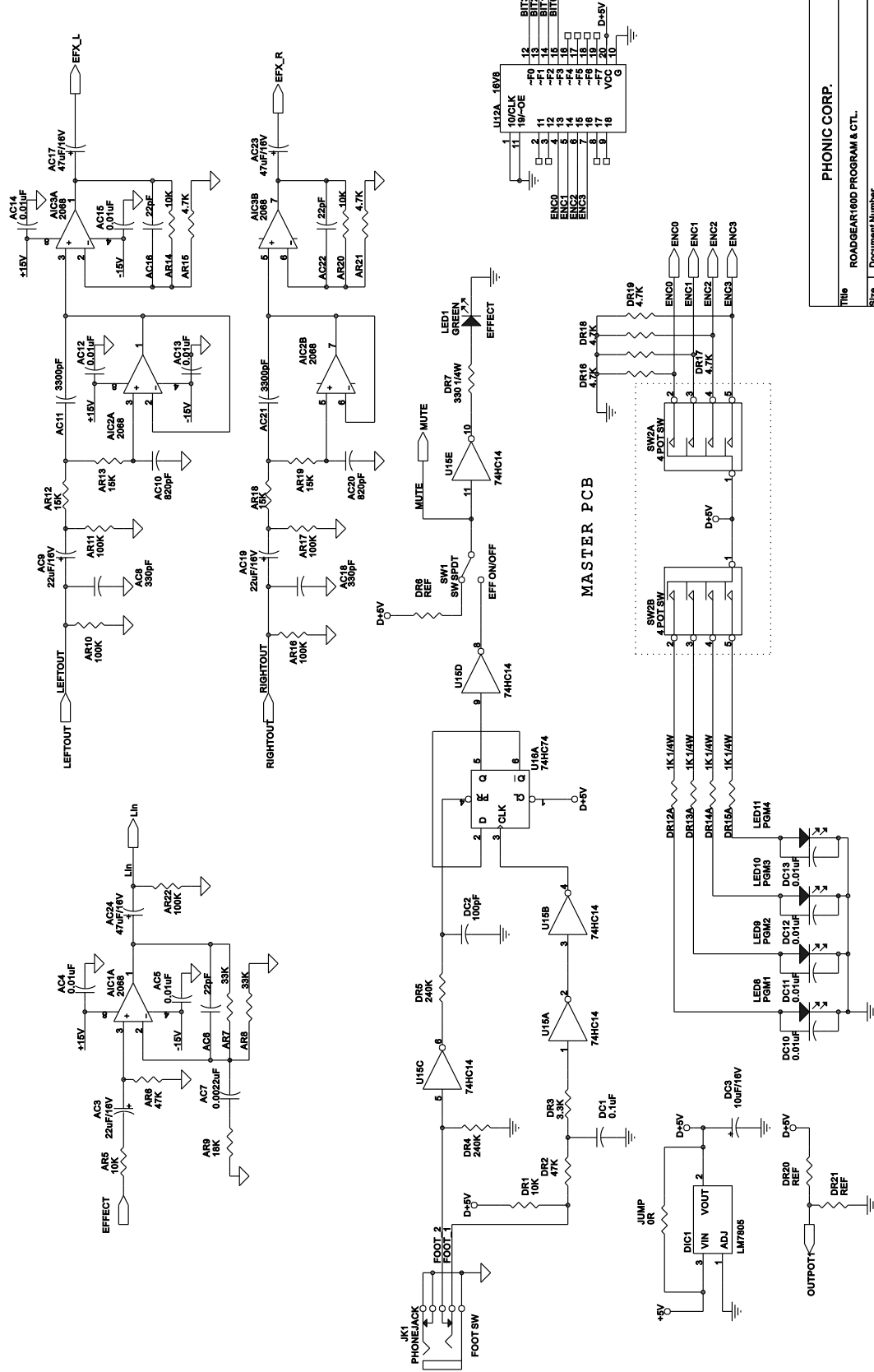
A/D D/A CONVERTER-160/260



EFFECT DSP-160/260

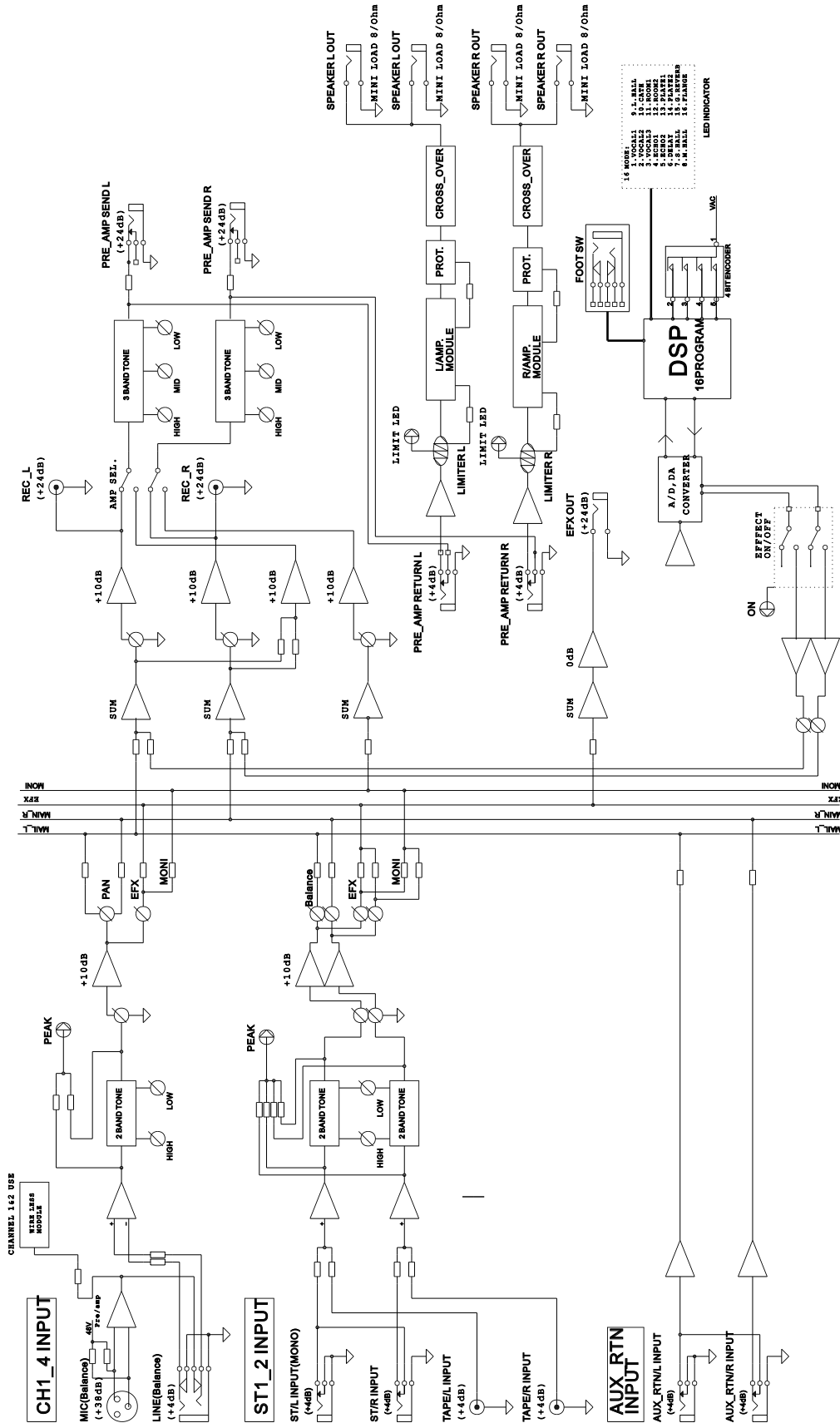


PROGRAM & CTL.-160

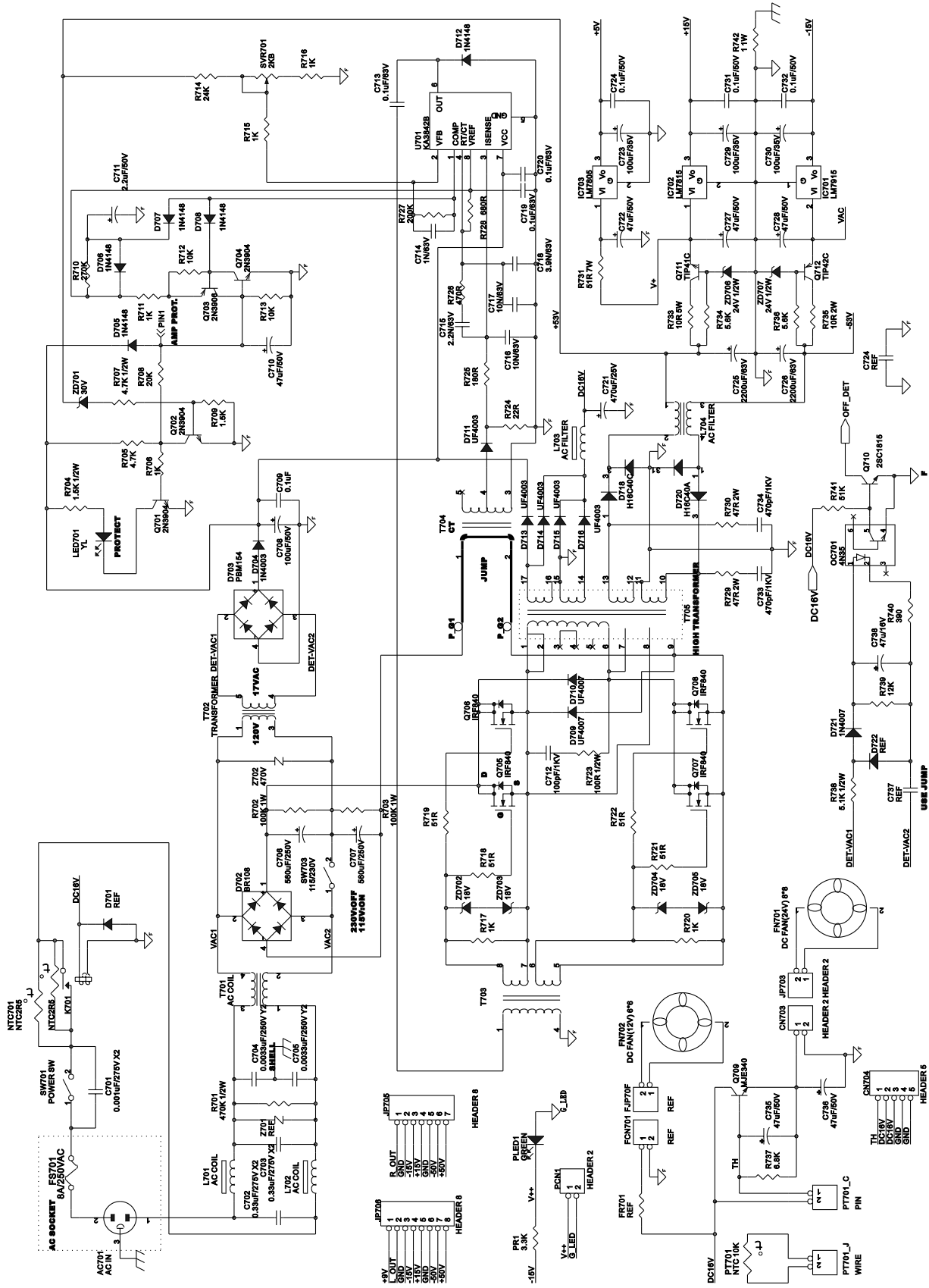


PHONIC CORP.
ROADGEAR160D PROGRAM & CTL.
Document Number
Rev A
Date: Thursday, April 01, 2004
Sheet 14 of 16

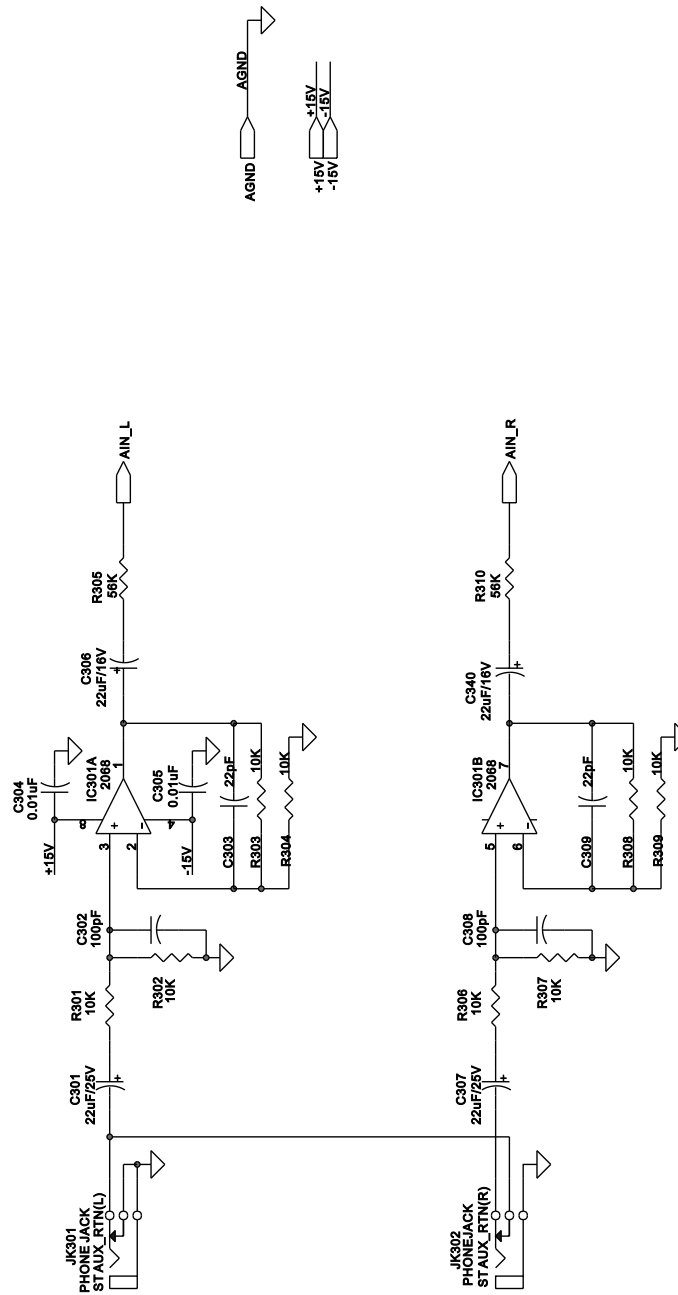
BLOCK DIAGRAM-260



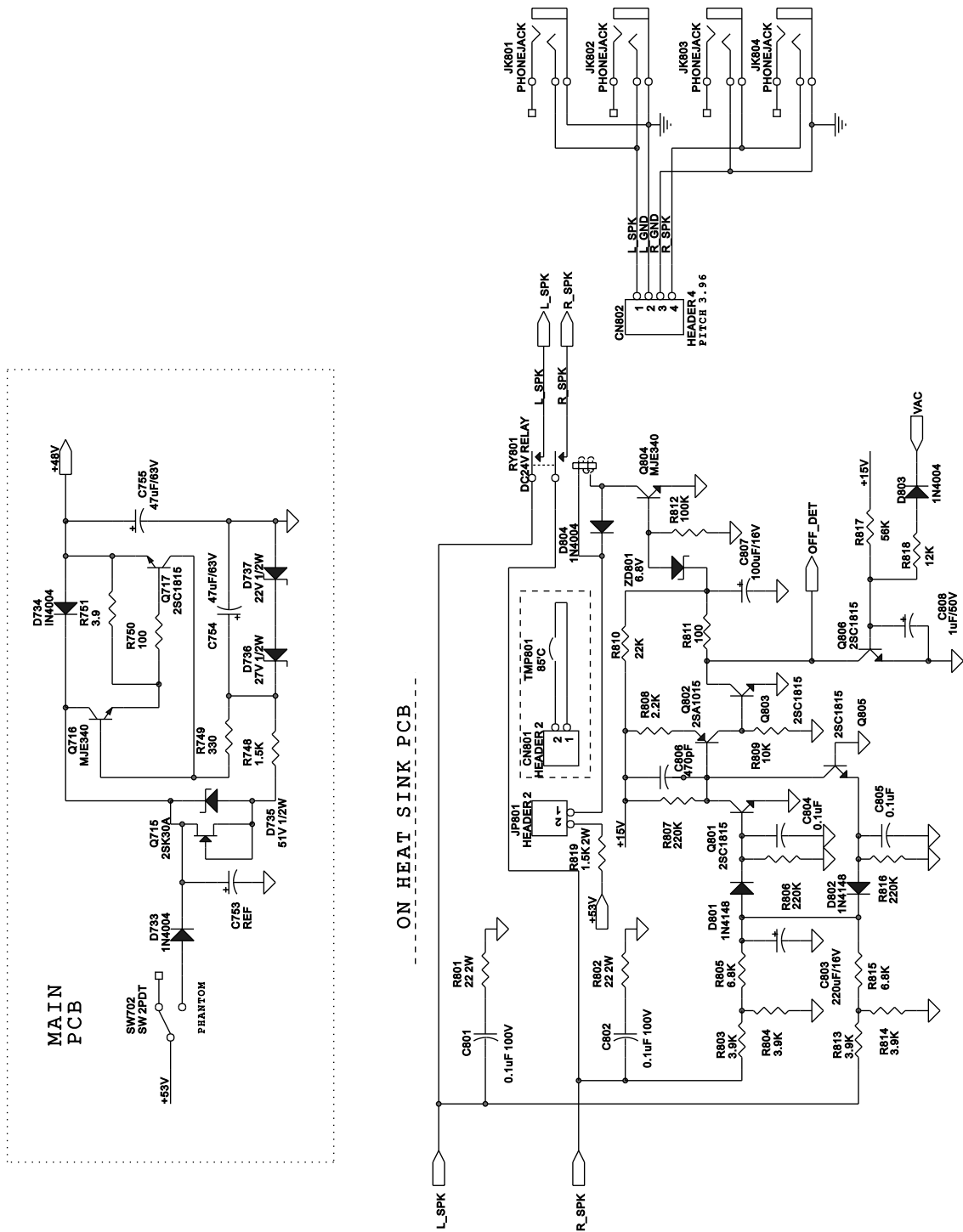
SWITCHING POWER-260



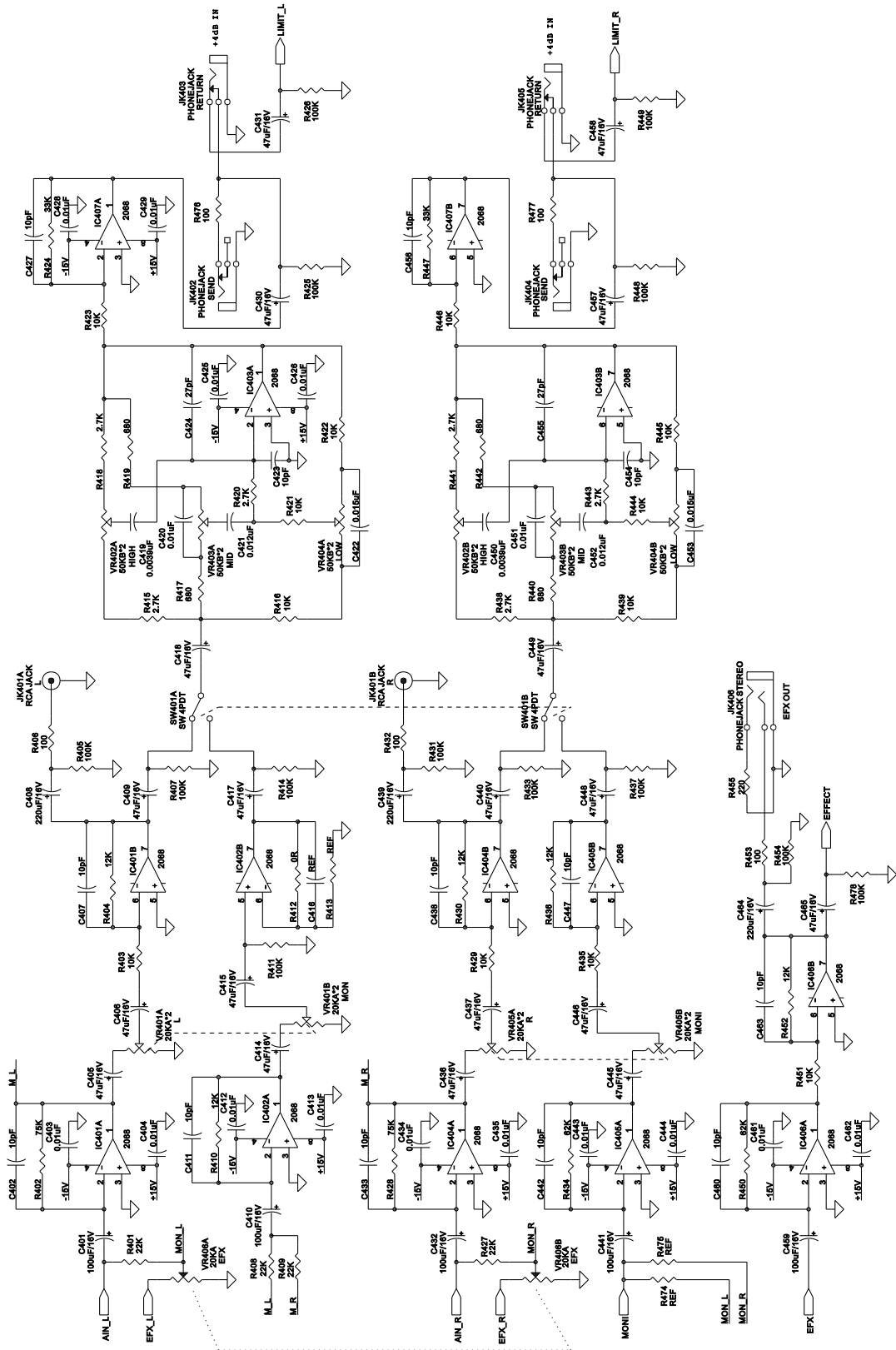
ST AUX_RTN INPUT-260



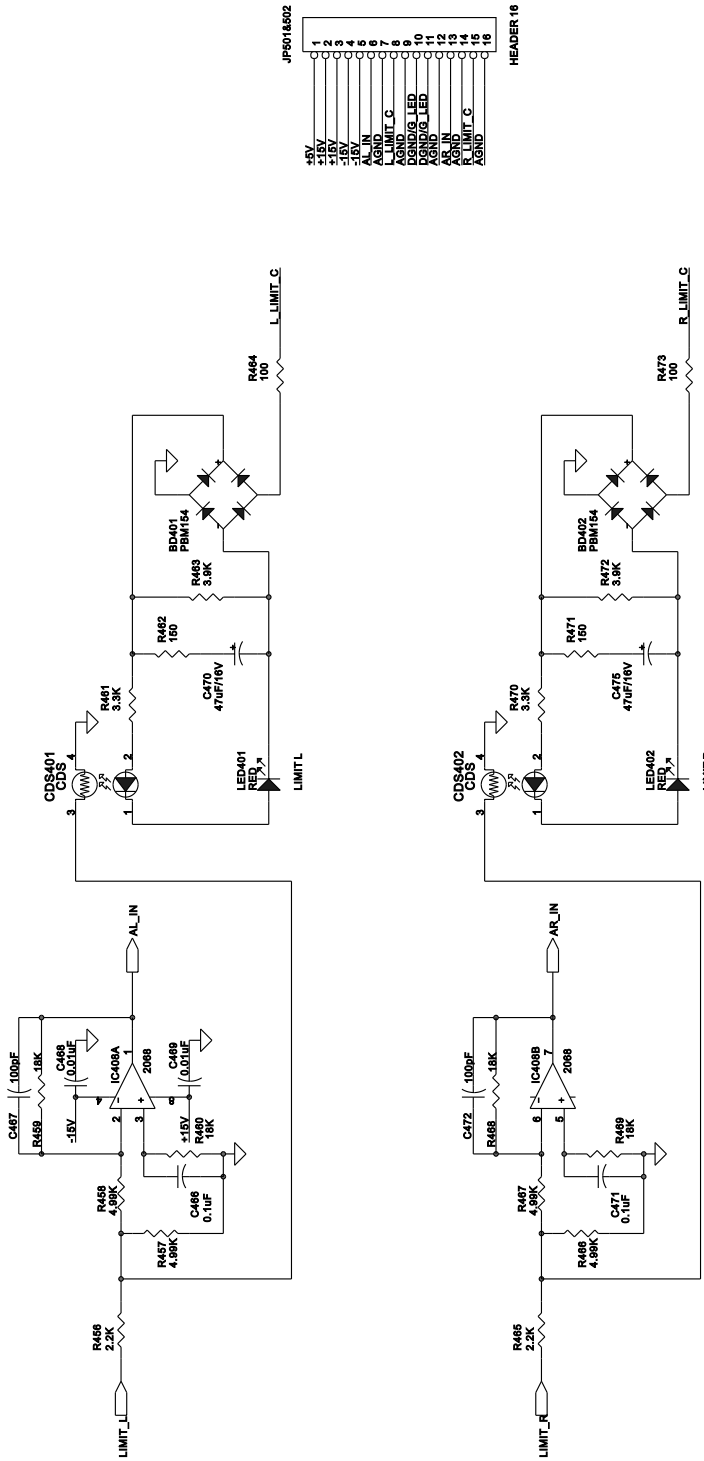
SPK CIRCUIT POWER PCB-260



MAIN-260

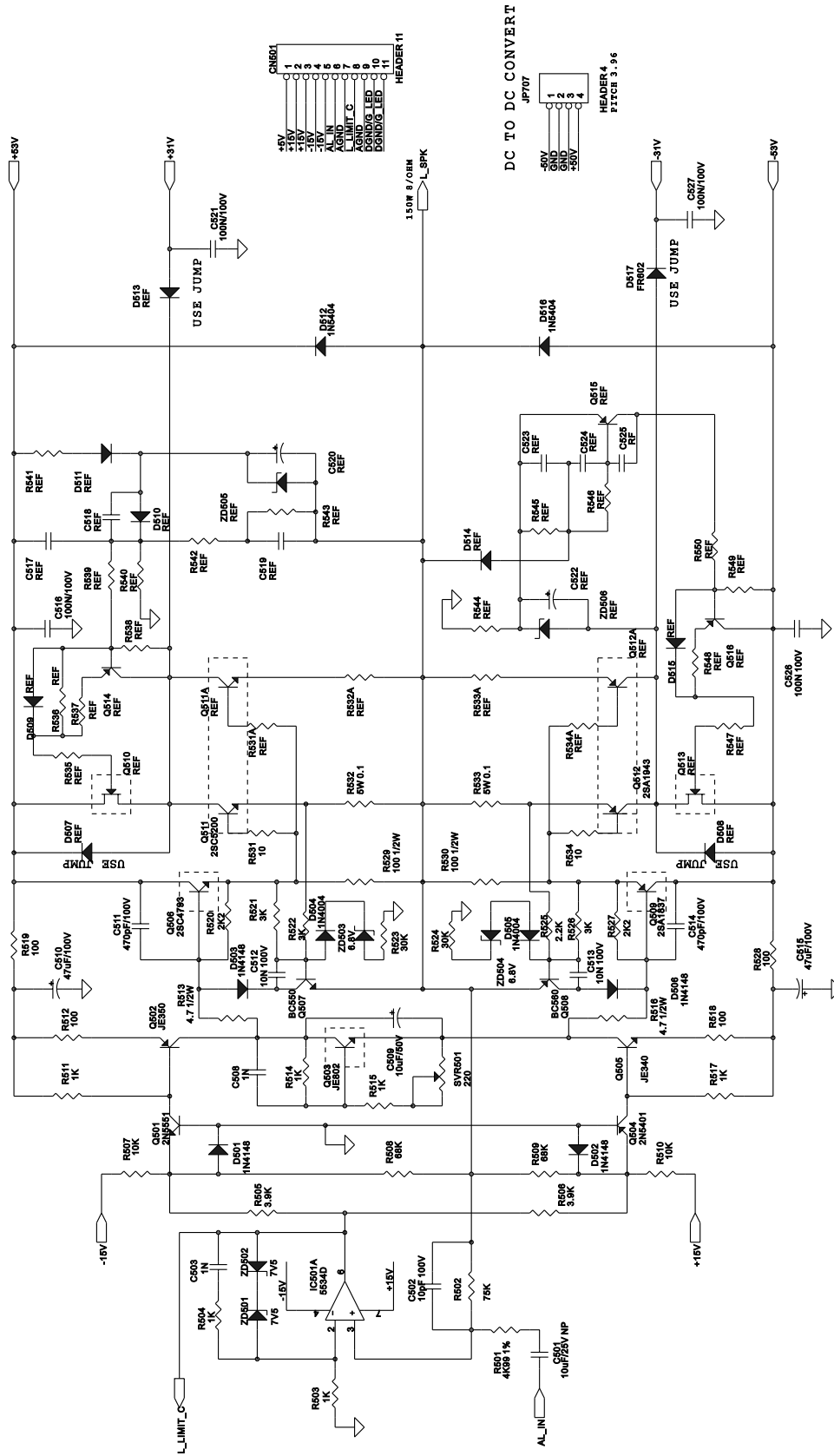


LIMIT-260



L POWER AMP-260

--- ON HEAT SINK PCB ---



HEADER 11

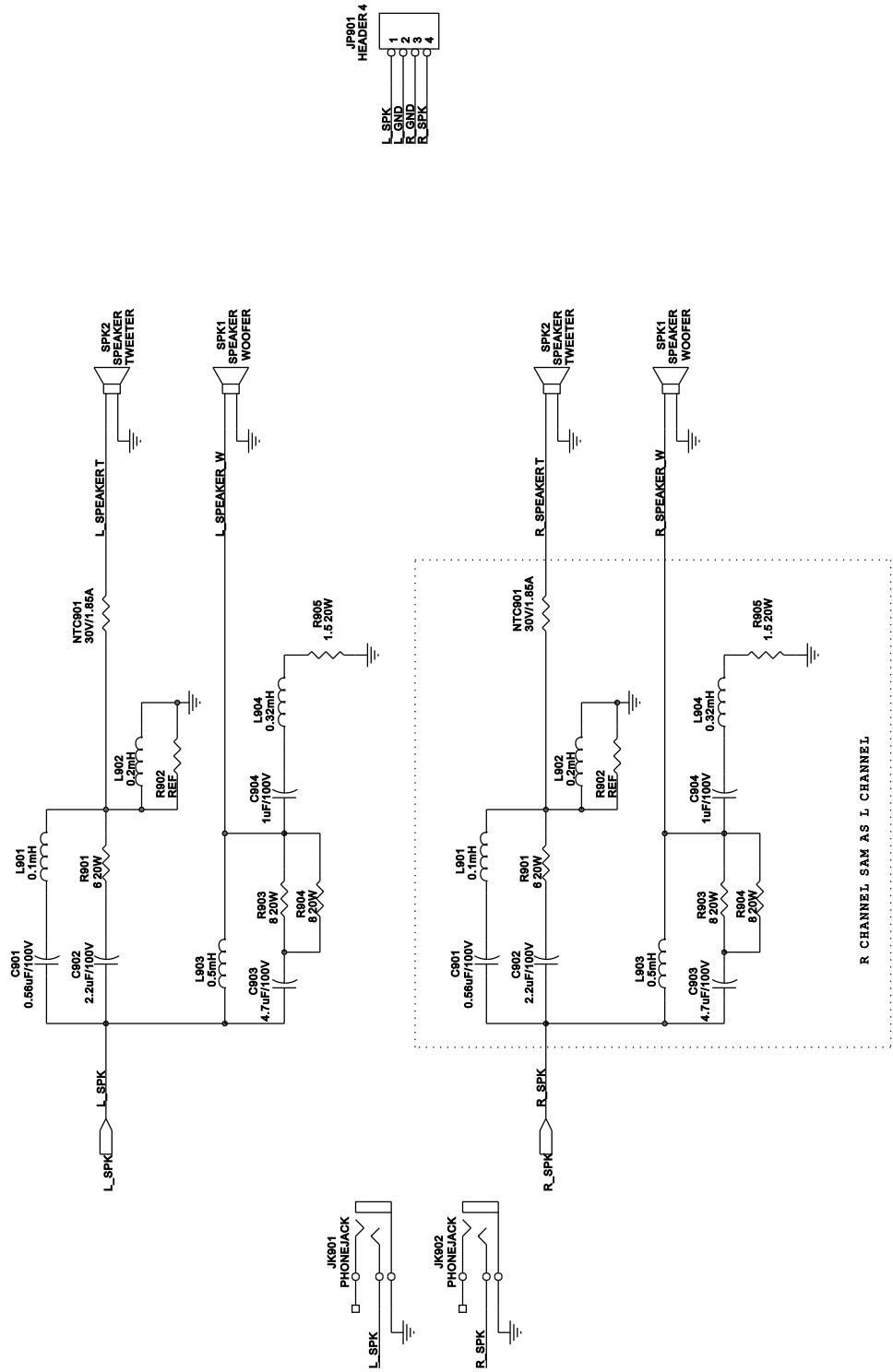
1	+63V
2	+16V
3	-16V
4	-63V
5	AL IN
6	LIMIT C
7	AGND
8	OSND/LED
9	OSND/LED
10	OSND/LED
11	OSND/LED

DC TO DC CONVERT

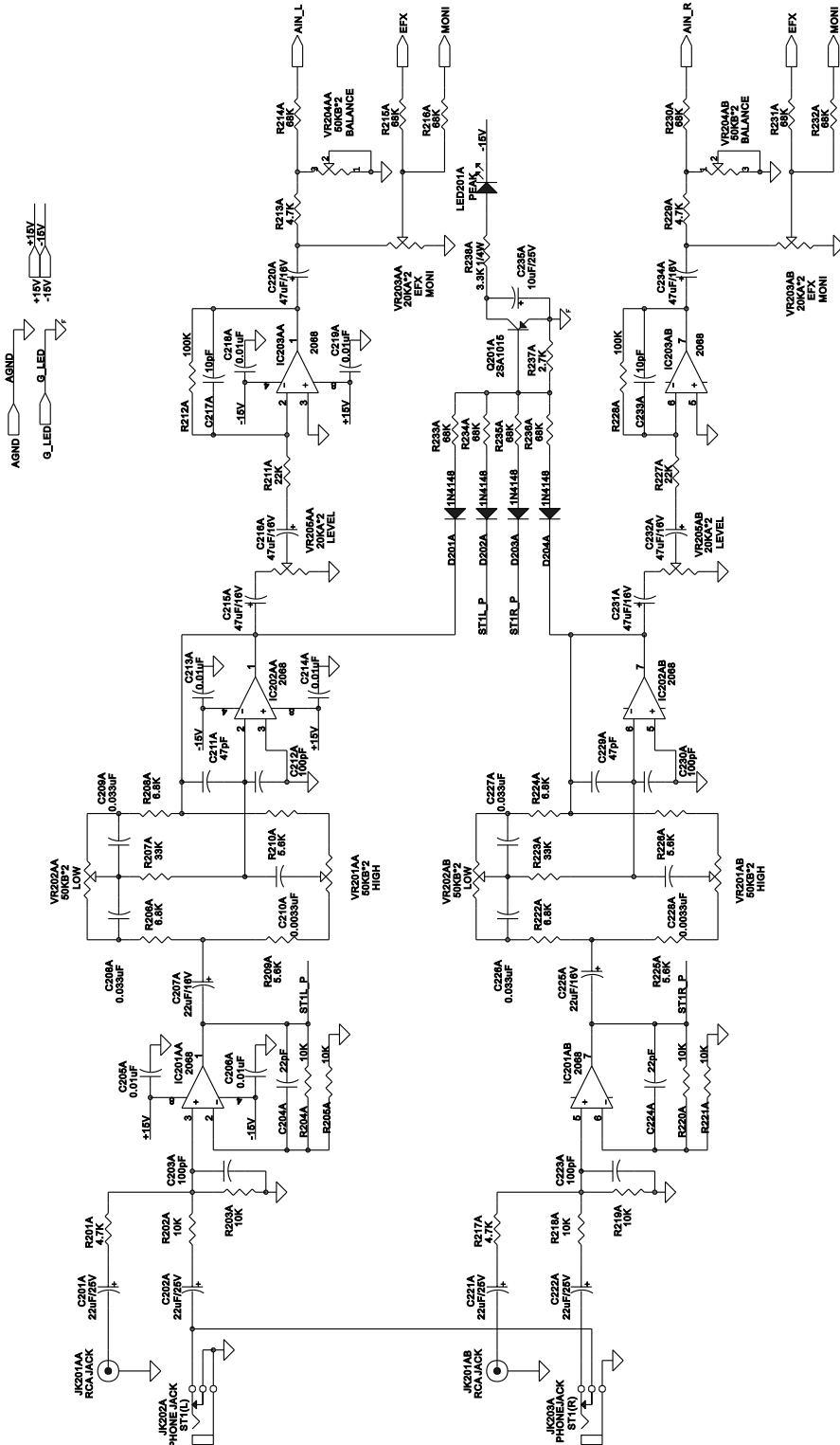
HEADER 4, 9, 6

1	-50V
2	GND
3	GND
4	-50V

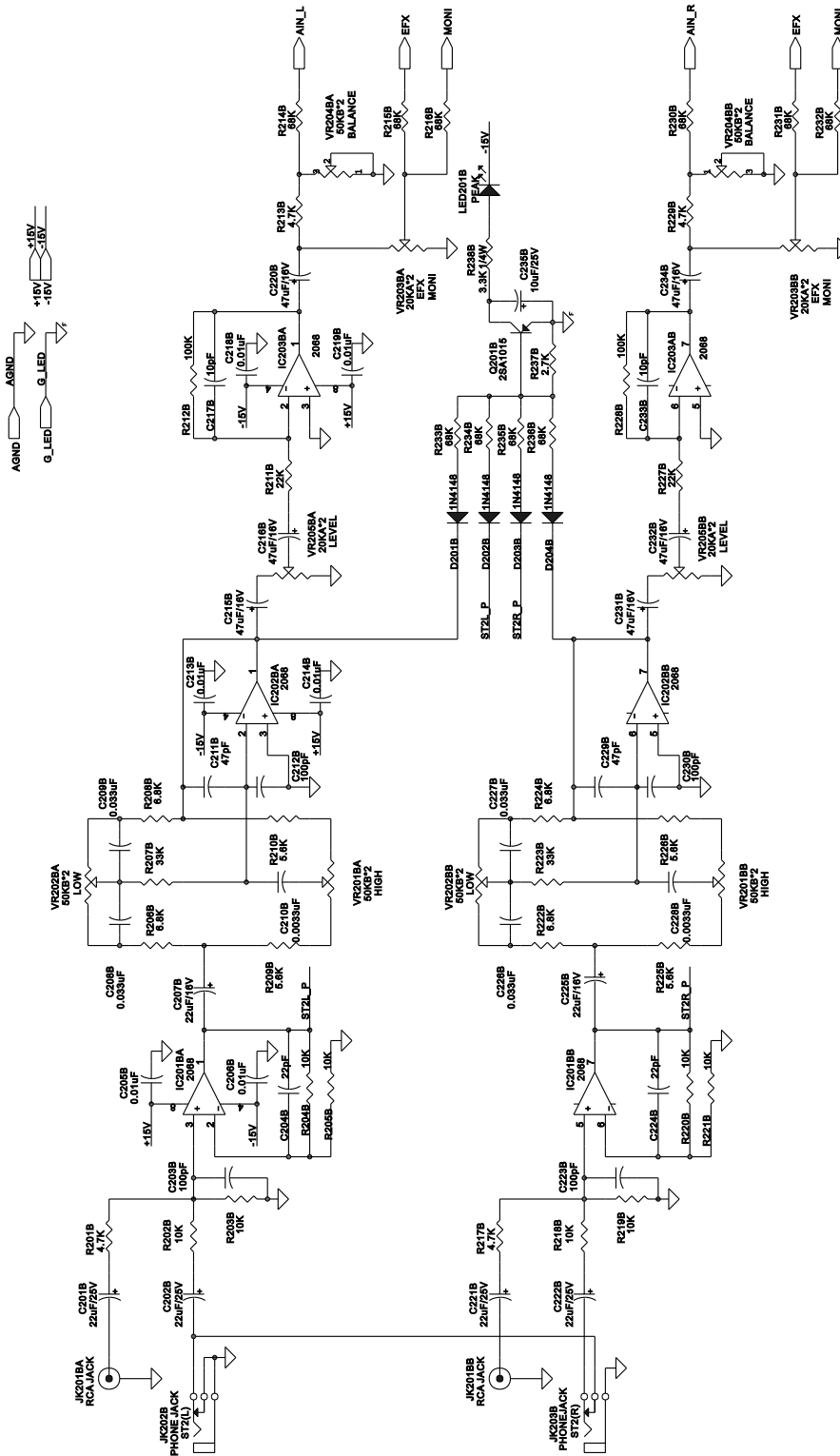
CROSS OVER-260



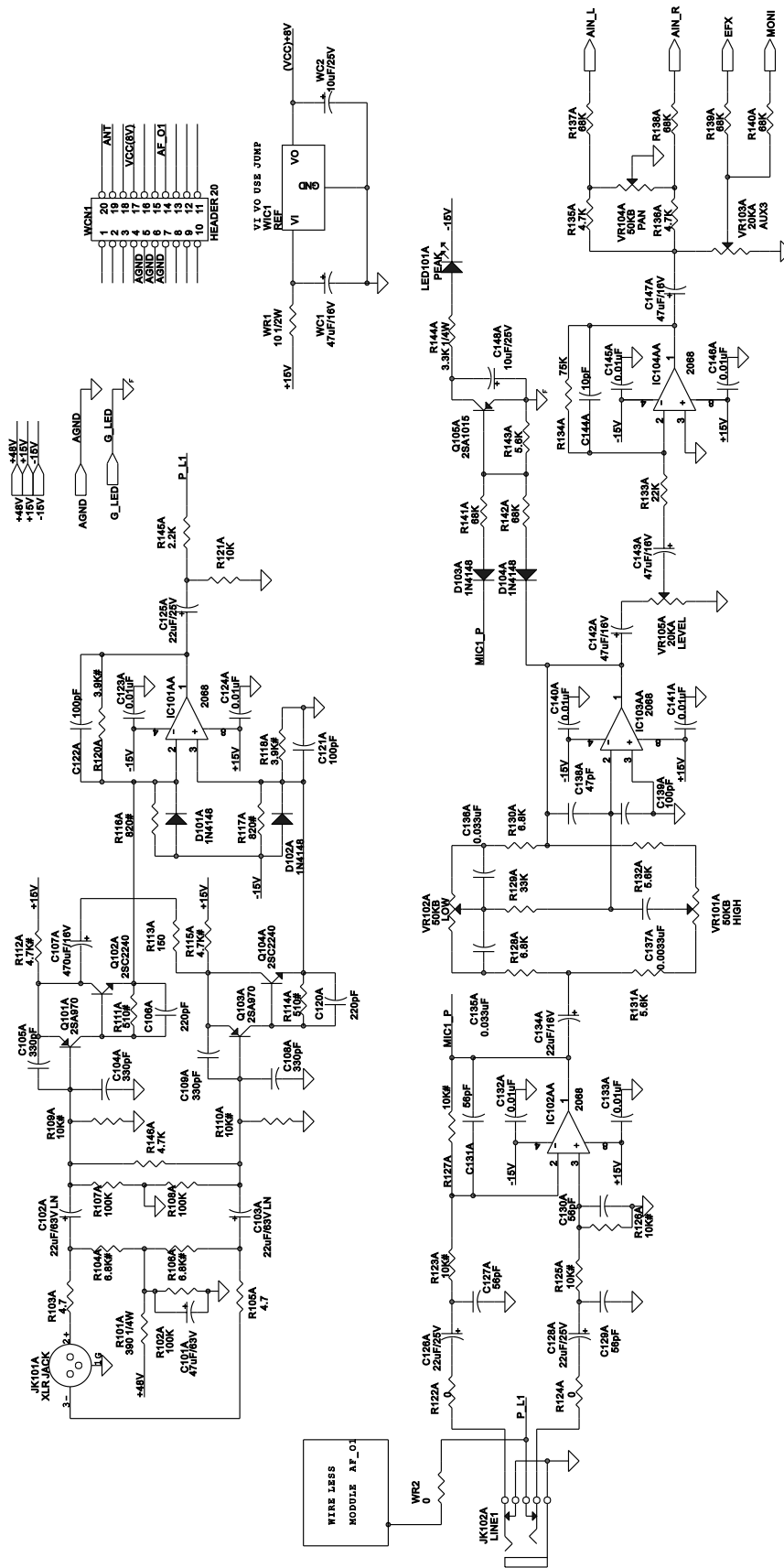
ST1 INPUT-260



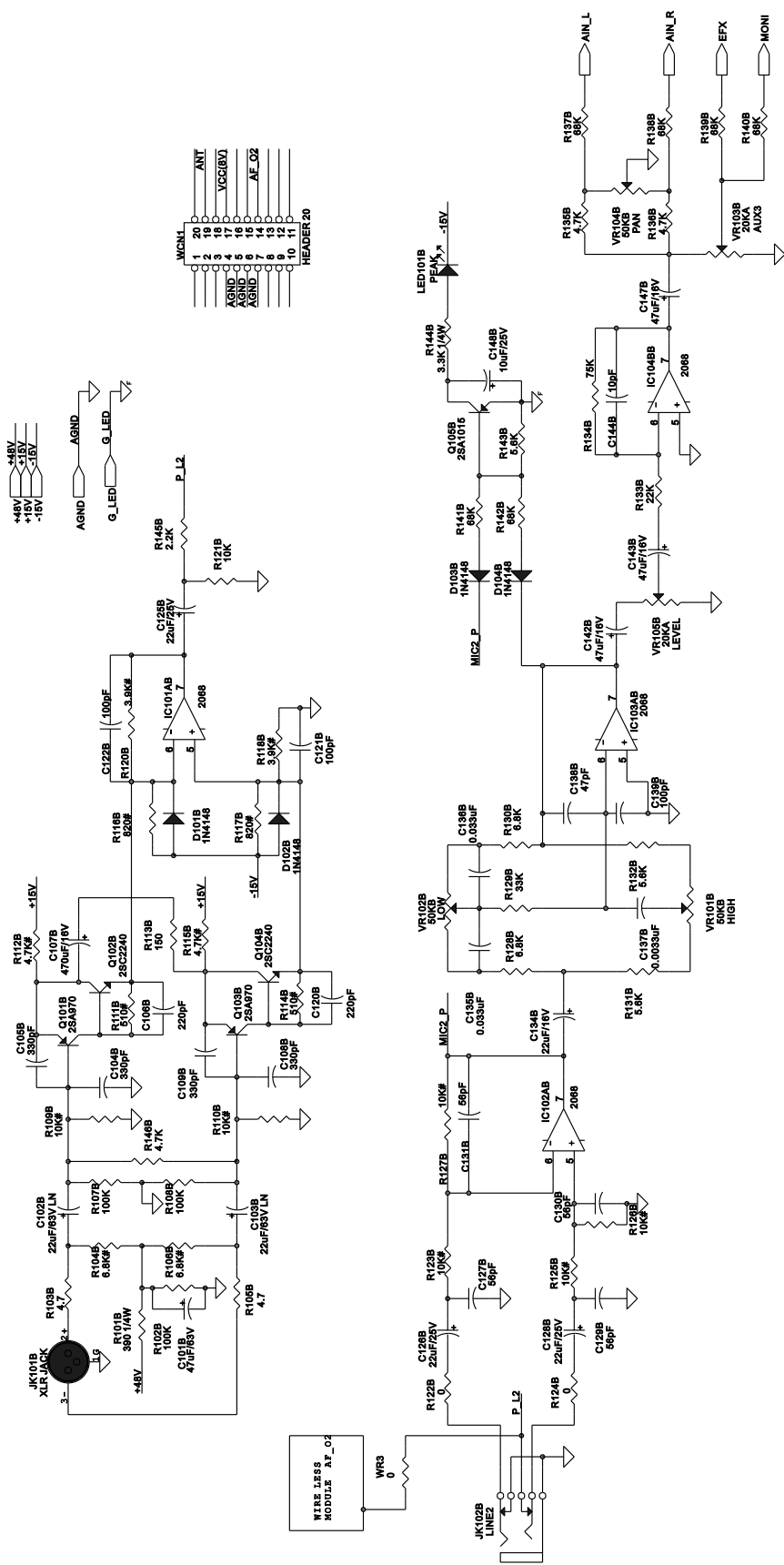
ST2 INPUT-260



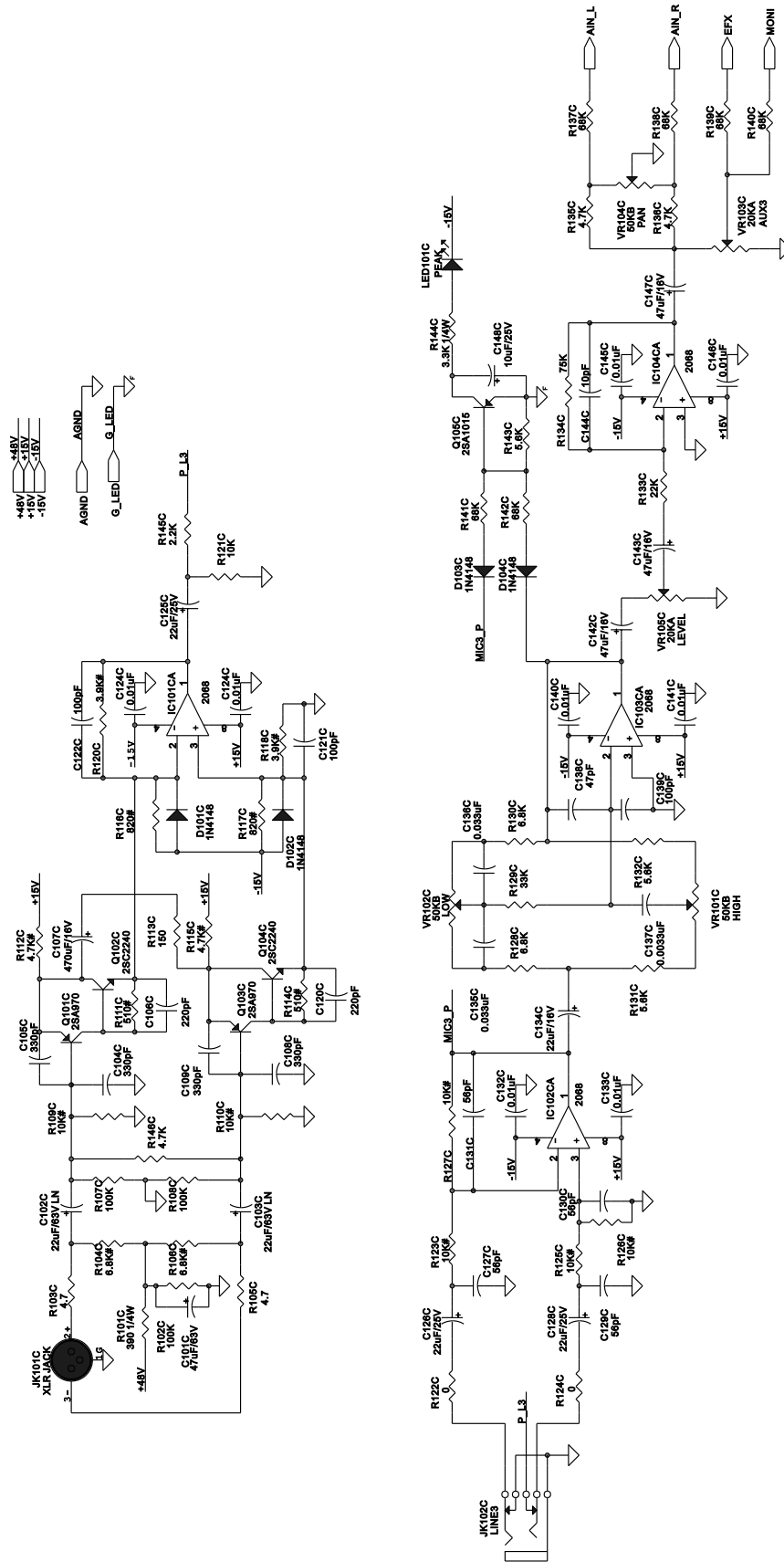
CH_1 INPUT-260



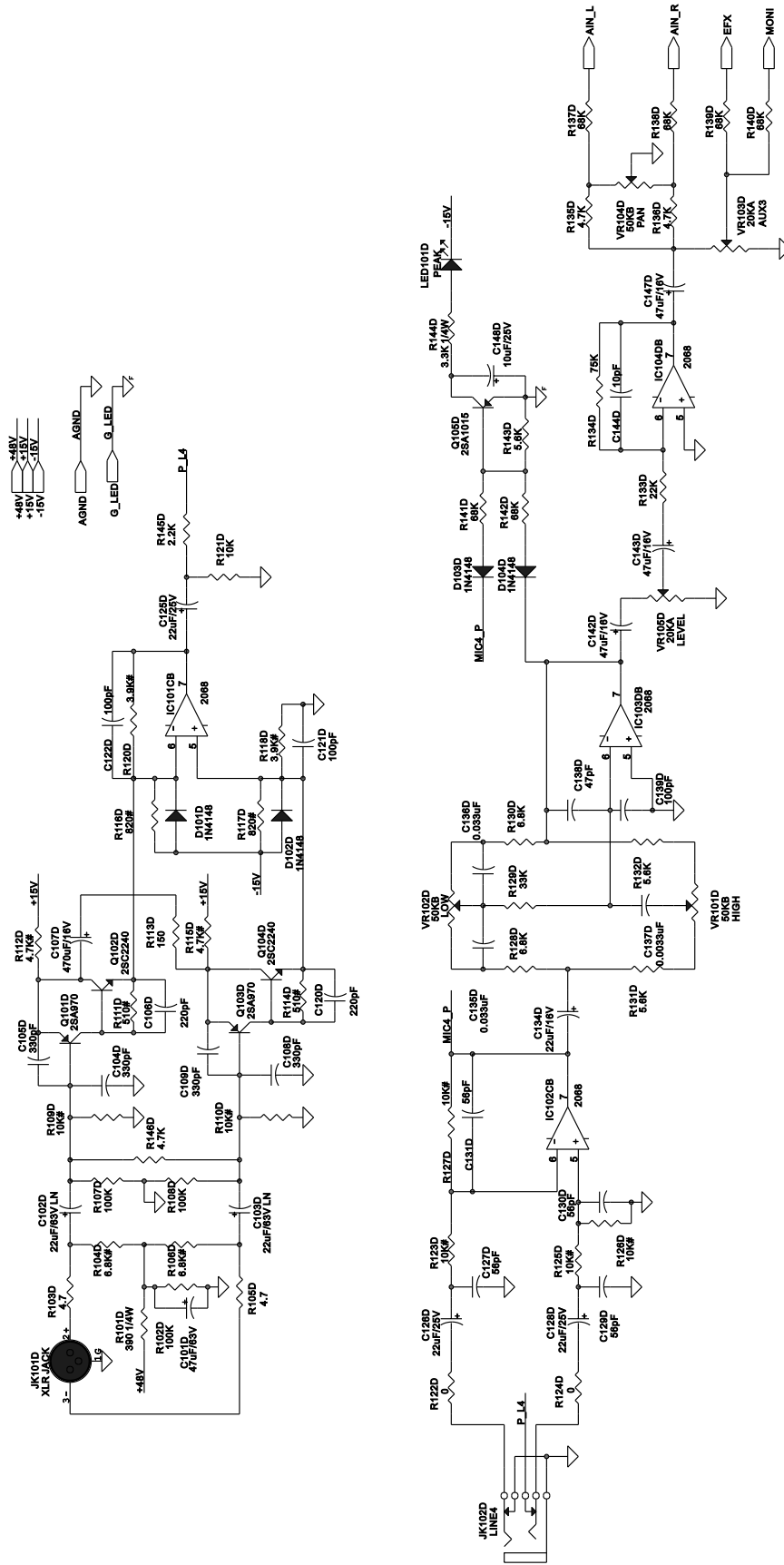
CH_2 INPUT-260



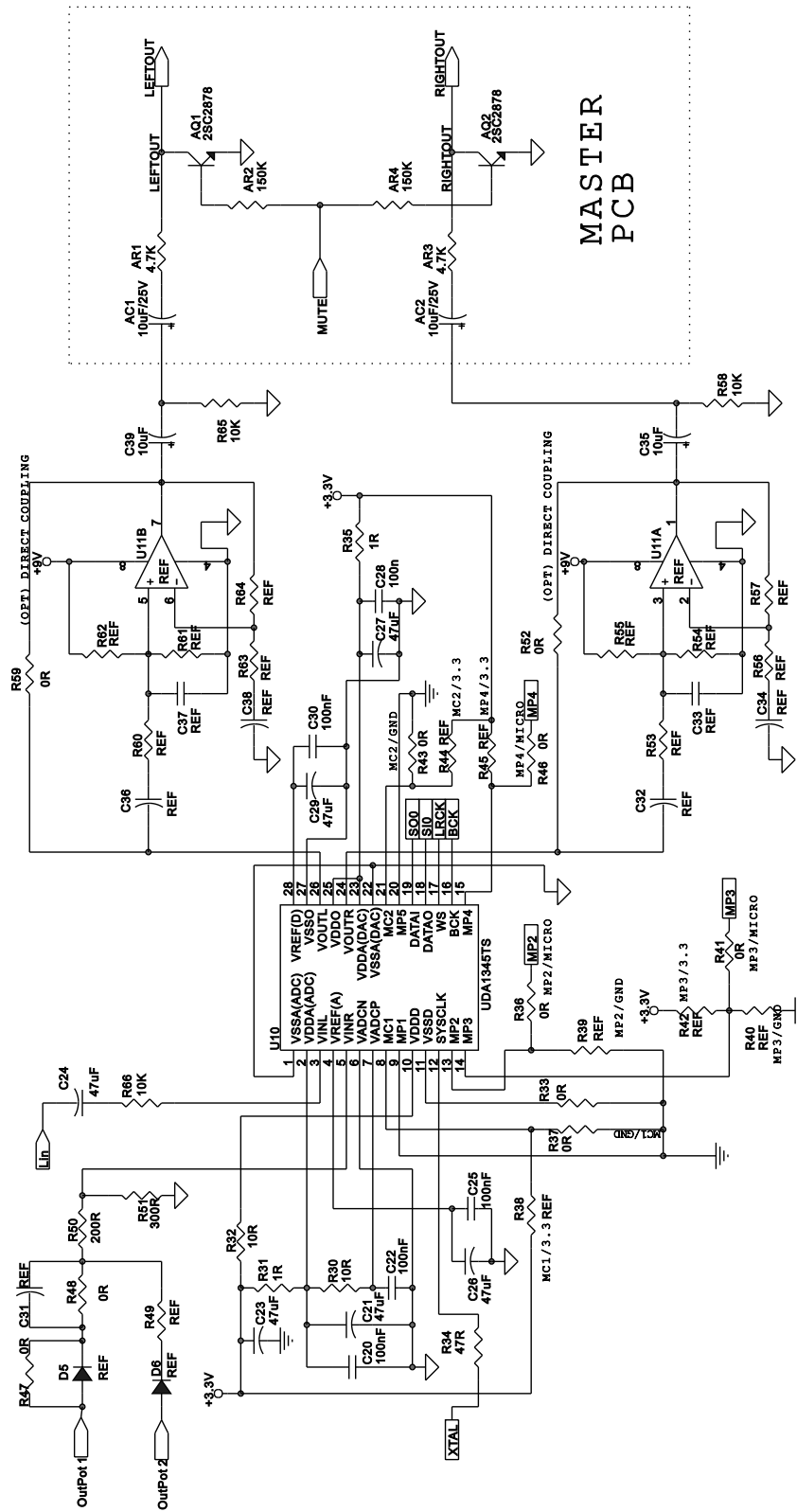
CH_3 INPUT-260



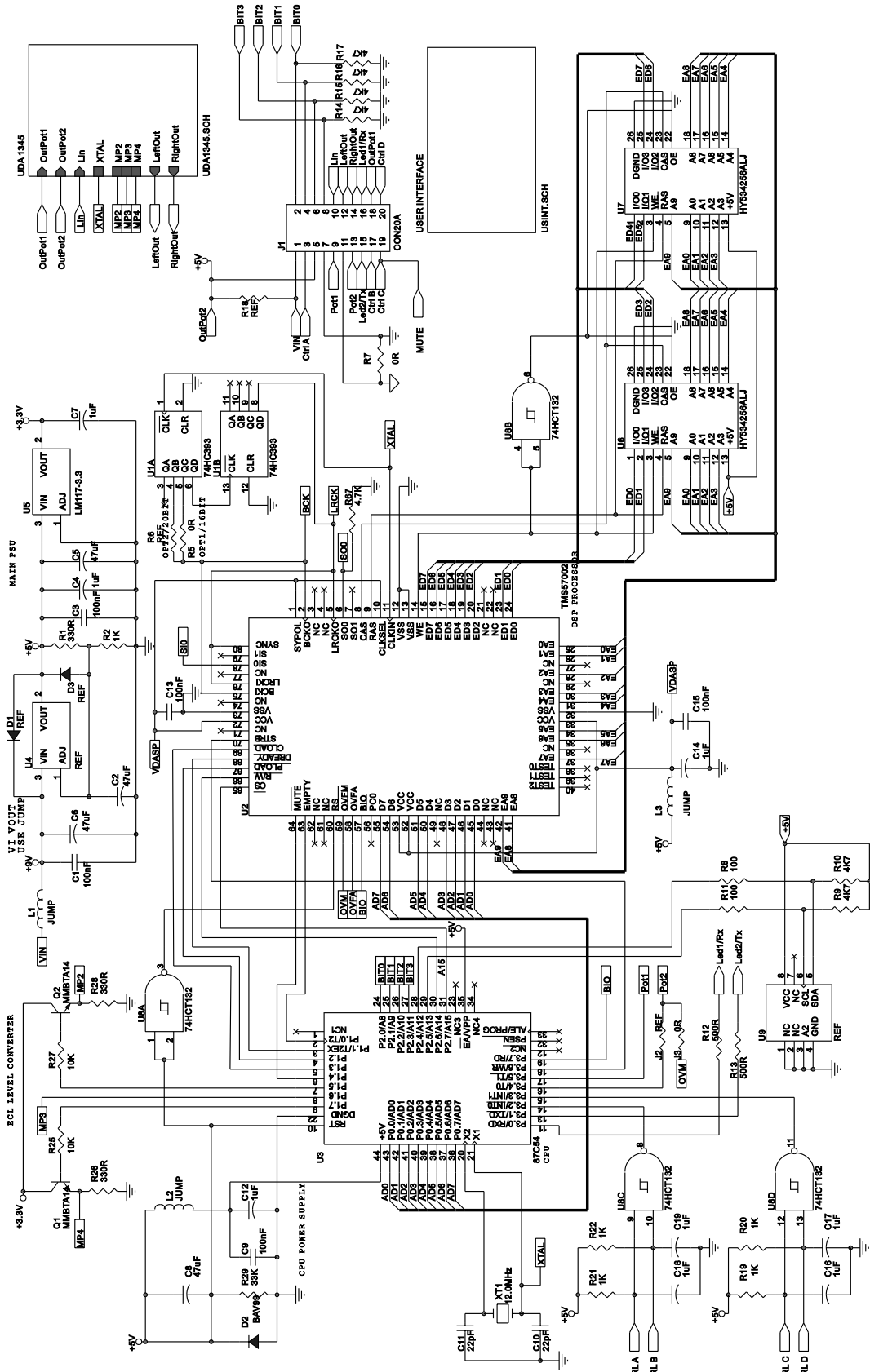
CH_4 INPUT-260



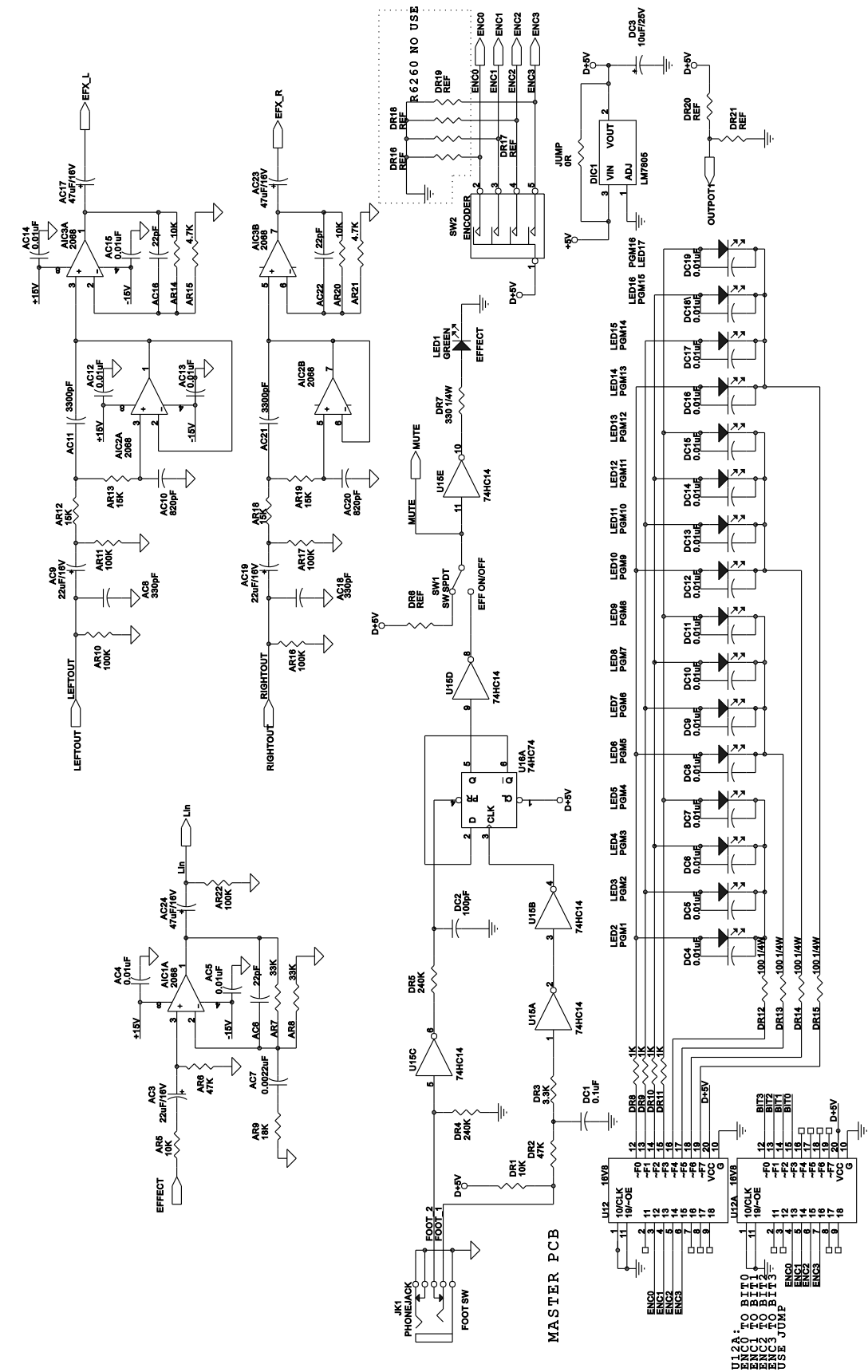
A/D D/A CONVERTER-160/260



EFFECT DSP-160/260



PROGRAM & CTL.-260



BOM160

Ref.	Phonic Part No.	Specifications	
FS701	B37-95013-410-1	ROADGEAR160 PHONIC UL	
	280-63263-000-0	FUSE 6.3A 250V VDE/CE S	
	370-08010-721-0	P/CORD 120V 10A 6F 3PUL/CSA	
	B37-95015-410-0	ROADGEAR160 PHONIC	
	211-09045-000-0	BOT. ENTRY SOCKET 1.58PSL HSG 1X04	
	211-12300-040-0	AC/S 0717-1-PS	
JP802	212-01260-000-0	6D3/P 2.8*5.6MM CABLE WITH D6.3 PLUG BLK	
	212-10041-310-0	4P WAFER/P 500MM PH=3.96	
JP707	212-10041-320-0	4P WAFER/P 150MM PH=3.96MM	
	280-10366-000-0	FUSE T10A UL/CSA S 5*20	
	281-04000-000-0	FUSE HOLDER FH-B02 EDK	
	305-00000-000-0	MAG-CORE LPZT31*19*10	
	321-00000-007-0	CABLE TIE HW-100MM	
	347-00000-200-0	FAN SP802524H 24VDC	
	AC SOCKET TO PCB	379-30100-121-0	M.WIRE UL1617#16 100MM RED
POWER SW	385-02501-221-0	2P M.RIBBON WIRE UL1617#18 105°C 500MM	
	510-21340-000-0	PANEL RG160 SECC	
	510-21340-100-0	PANGL RG160	
	512-20720-020-0	MIXED PANEL ROADGEAR series (RG260-281-X)	
	512-20730-020-0	LOGO PANEL 110.4*19*7MM ABS(RG260-301-X)	
	516-20540-020-0	TOP COVER ROAD GEAR_series (RG260-211-X)	
	517-20760-020-0	BOT COV. ROAD GEAR_series(RG260-221-X)	
	518-20400-020-0	SOCKET COV. ROAD GEAR_series(RG260-251-X)	
	518-20410-020-0	BOX COV. ROAD GEAR_series(RG260-261-X)	
	518-20420-020-0	HANDLE COV. ROAD GEAR_series(RG260-291-X)	
	524-20009-010-0	TOP HANDLE PA550	
	525-20008-000-0	FEET D38*26MM PA550	
	525-20009-030-0	FEET D20*20 GL-20-B	
	POWER SW LED	529-20032-000-0	LED ACRYLIC LENS 11.5*6*3t
	ALL ROT/VR*27	540-20450-020-0	R/KNOB 8420C BODY+BLK LINE
POWER SW	542-20320-020-0	P/KNOB ABS BLK	
EFX ON/OFF*1	542-60090-122-0	P/KNOB 9.5*5.5*8 LOW WHT	
POWER SW BUSH.	543-20210-020-0	P/KNOB BUSH. BLK ABS	
POWER SW BRKT	551-20079-420-0	PUSH BRKT ABS I_SERIES	
	551-20081-420-0	WHEEL BRKT. BLK PC (RG260-241-X)	
	551-20085-100-0	HEAT SINK BRKT. BLK SECC (RG260-071-X)	
	551-20085-100-F	HEAT SINK BRKT MATERIAL	

Ref.	Phonic Part No.	Specifications
	551-20086-100-0	PANEL BRKT. SECC (RG260-081-X)
	551-20087-100-0	SW BRKT. BLK SECC RG260-091-X
	551-20088-100-0	FAN BRKT. SECC RG260-121-X
	551-20088-100-F	FAN BRKT SECC. MATERIAL
	551-20089-400-0	WHEEL BRKT. 901P-58 SECC (901P-58)
	551-20090-100-0	WHEEL BRKT. RG260/160 SECC(RG260-351-XX)
	552-20091-420-0	FIXED ROAD GEAR (RG260-271-X)
	552-60041-000-0	FISED SUC1.2 RG260
	553-20016-480-0	PCB SHIELD PLATE 427*201*0.5(RG260-431-X
	560-61050-000-0	CARTON RG160
	561-21440-010-0	G/B RG260
	562-24400-000-0	PULP PANEL (A)794.28*836 (RG260-311-X)
	562-24410-000-0	PULP PANEL (B) 433.9*362 (RG260-331-X)
	562-24420-000-0	PULP PANEL (C) 967*360 (RG260-341-X)
	565-20062-000-0	POLYLON 250*100*35 RG_series
	566-10002-010-0	SPONGE 160*10*2MM
	566-10015-010-0	SPONGE 40*10*5
	568-00003-000-0	#10 240*340*0.05
	568-20086-070-0	PPC BAG ROAD GEAR
	568-60079-000-0	GE BAG:1250*980mm BT50
	572-00000-050-0	DRYER 5g
	573-10124-010-0	GND LABEL MAR2
	573-20229-000-0	VOLT LABEL RG160
	573-60240-000-0	BAR CODE LABEL PHONIC
	573-60343-000-0	LABEL BLUE D=8mm
	573-60343-100-0	LABEL SILVER D=8mm RG160/260
	573-60950-000-0	FUSE LABEL T10A H 250V 30*8mm
	573-60960-000-0	CAUTION LABEL 20*77mm
	574-37960-110-0	OWN. MANU. RG260 PHONIC
FIXED HANDLE*4	590-25024-200-7	M/E BID SCR. M5*24 BLK
POWER SW&BRKT*2, POWER SW*2.FAN FIXED&HEAT SINK&BOSS*7.	590-33004-100-0	M/E PAN SCR. M3.0*4 NI
BOSS&AC	590-33006-200-0	M/E RUD SCR. M3*6 BLK

Ref.	Phonic Part No.	Specifications
GND*1,115/230V SW*2	590-33008-100-0	M/E RUD SCR M3.0*8 NI
PANEL&PANEL	590-43010-200-0	M/E PAN SCR M3.0*10 BLK
FIXED FAN*4	590-43032-100-0	M/E PAN SCR.M3.0*32 NI
FIXED FEET*2	590-44025-200-0	M/E PAN SCR M4*25 BLK
	590-54012-200-0	M/E SET SCR. M4*12 BLK
RCA JACK*2, XLR JACK*6	591-33008-100-0	T/P RUD SCR. M3*8 NI
D.SUB&CASE*4	591-43014-200-0	T/P PAN SCR. D3.0*14 BLK
FEET*2	591-45025-200-0	T/P PAN SCR. M5.0*25 BLK
	591-53008-200-0	T/P SET SCR. D3.0*8 BLK
FIX LOCK*1	591-53010-200-0	T/P SET SCR. M3.0*10 BLK
	591-54012-200-0	T/P SET SCR. D4.0*12 BLK
MIXER PANEL	591-55050-200-0	T/P SET SCR. D5*50 BLK
MASTER PCB&BOSS*2..FIXED FAN*4	600-00302-010-0	HEX. NUT M3.0*2.0 NI
FIXED FEET*2	600-20402-000-0	NUT M4.0*2.0 ZN L14*W10
FIXED FAN*4	610-00300-501-0	PLA. WAS. D3.0*D7.0*0.5 NI
	610-00301-018-0	FIBER WAS. D3.0*8*1
MIC JACK	610-00352-016-0	FIBER WAS. D3.5*7*2 (RED)
FIX LOCK*1	610-12291-018-0	SQU. WAS. 22*9*1
JACK*17	610-20900-501-0	IN. TOOTH WAS. D9*0.5 NI
	610-30301-001-0	TOOTH WAS. D3*D8*1 NI
FIXED FAN*4	610-60301-006-0	SPR .WAS. D3*D5*1 NI
MASTER PCB & PLATE*11, DSP&PLATE*4	615-20114-630-0	BOSS M3*(8+4)
PCB&FAN*4	615-60023-630-0	BOSS L=16MM M3.0
FIXED FAN	615-60075-600-0	FAN BOSS D8*D5.8*16.3
	615-60086-630-0	HEX. BOSS L=8mm D=9mm
	620-10000-001-0	WHEEL 901P-58 58MM PU
SW401.702	631-10027-000-0	HEMELON 24*12
	T01-00100-002-0	UM-99 PHONIC NO
	W37-95015-410-0	RG160 WOOD CASE

Ref.	Phonic Part No.	Specifications
	211-01602-190-0	PHONO JACK EPJ-68
	212-10023-710-0	2P WAFER/P 400MM PH=3.96MM
	212-10041-330-0	4P WAFER/P 320MM PH=3.96MM
	341-01052-520-0	TWEETER 1" 6R 25W
	341-08007-000-0	WFPHO20003003E 8" 8ohm 70W
	510-21330-020-0	FRONT PANEL RG260(RG260-161-X)
	512-20670-090-0	LOGO PANEL
	512-20740-020-0	TRIM PANEL ROAD GEAR PP(RG260-171-X)
	516-20530-020-0	TOP COVER ROAD GEAR series(RG260-141-X)
	518-20430-020-0	TRIM COV. BLK ROAD GEAR (RG260-201-X)
	522-20140-020-0	SPEAKER CASE ROAD GEAR (RG260-131-X)
	524-20013-020-0	HANDLE ROAD GEAR (RG260-151-X)
	525-20010-000-0	FEET 64.5*23*6.5 BLK (RG260-191-X)
	528-20019-000-0	SPEAKER NET 8002C ROAD GEAR (RG260-031-X)
	551-20082-100-0	TO COV. BRKT. BLK SECC (RG260-011-X)
	551-20083-100-0	HANDLE BRKT. BLK SECC (RG260-021-X)
	552-20092-000-0	FIXED BLK SECC ROAD GEAR (RG260-051-X)
	552-20092-000-F	FIXED BLK SECC MATERIAL
	552-20093-420-0	CASE FIXED ROAD GEAR
	566-20074-011-0	SPK. NET SPONGE 1059*12*0.5MM PA450
	566-60037-000-0	SPONG 135*18*1.5mm
	566-60038-010-0	SPONGE 1300*20*5mm
	573-60940-000-0	CASE LABEL 60*15MM RG160
CASE&BRKT*4	590-06030-200-0	M/E FLT SCR. M6*30 D11 BLK
	590-33008-200-0	M/E RUD SCR. M3.0*8 BLK
	590-54008-200-0	M/E SET SCR. M4.0*8 BLK
TOP COV.&BRKT	590-54019-200-0	M/E SET SCR M4.0*19 BLK
NET&FRONT COV.*2	591-33008-100-0	T/P RUD SCR. M3*8 NI
	591-34020-200-0	T/P RUD SCR. D4*20 BLK
PCB&CASE*6, TOP COV&TOP COV BRKT*4, HANDLE&FRONT COV*3	591-43010-200-0	T/P PAN SCR. D3.0*10 BLK
HORN	591-54012-200-0	T/P SET SCR. D4.0*12 BLK

Ref.	Phonic Part No.	Specifications
CASE&TOP COV*8.CASE&SPK.*8	591-54020-200-0	T/P SET SCR. D4.0*20 BLK
	610-00501-202-7	WASHER D12*D5*1.2t BLK
	615-70003-210-0	BOT BOSS D35*D108*89 SFJ308
	633-20008-000-0	CASE RUBBER BLK ROAD GEAR
	639-20000-110-0	HORN ROAD GEAR series
	F37-95000-001-0	ROADGEAR160 MASTER PCB M/I
WR1	000-10036-400-0	CF RES 10 J 0.5W T
CDS401.402	010-00001-010-0	CDS P873-G35-552 HAMAMATSU
VR103B-103D.105B-105D	022-20350-001-0	S.ROT/VR 20KA L=30MM F=12MM
VR101B-101D.102B-102D.104B-104D	022-50350-011-0	S.ROT/VR 50KB(C.C)L=30MM
	023-20350-001-0	D.ROT/VR 20KA 30MM P
VR201A.202A.204A.402.403.404	023-50350-001-0	D.ROT/VR 50KB(C.C) 30MM P
D733.734	090-00007-020-0	DIODE 1N4004 SILTEK T
D735	090-01513-110-0	Z/D10DE 51V 1W MOTOROLA
BD401.402	090-10000-000-0	B/DIODE PB154
LED101B-101D.201A.401.402	100-00010-030-0	LED BL-B5141 RED
LED1.8-11	100-00050-000-0	LED BL-B2141 GRN
PLED1	100-00150-040-0	LED 2*4mm BL-RGE131 Green
Q716	120-00005-000-0	TRAN MJE340 MOTOROLA
U16	171-00000-310-0	CMOS IC HD74HC74P HITACHI
U15	171-00003-500-0	CMOS IC 74HC14 HITACHI
SW2	210-00204-040-0	ROT/SW. SR1712-0204-225F2A-N9-N
SW401.702	210-01202-360-0	SLD/SW SS70020-02020-14T-021-MM
SW1	210-02202-070-0	PUSH/SW SPEC12HC11-JP
JK401.201	211-00021-100-0	RCA JACK RL-1414-2D
	211-01601-240-0	6D3/J JY-6351-02-130 SCJ-0658
JK1.102B-102D	211-01602-380-0	6D3/J (SCJ-0658-Y)
JK406	211-01602-390-0	6D3/J JY-6351-02-030 SCJ-0658
JK801-804	211-01602-560-0	6D4/J YLJ-6405-300 (NUT&WASHER)
JK101B-101D	211-03300-160-0	XLR/J SKCA229-1K3F2

Ref.	Phonic Part No.	Specifications
J2	211-09202-000-0	20P B.E./S
PCN1.CN402	211-10021-161-0	2P WAFER/S TJC3-2A P=2.5MM
CN802	211-10044-040-0	4P WAFER/S A3963WV2-4P
WCN2.3	211-10050-011-0	5P WAFER/S P=2.0
CN101*2	211-14202-000-0	D-SUB/S 3231-20P
POWER LED	212-10022-680-0	2P WAFER/P 100MM UL1007#24 P=2.5MM
	212-10050-010-0	5P WAFER/S PH=2.0 300MM
JP501&JP601	212-10160-120-0	16P WAFER/P #24 AWG P=2.5 550+500MM
CN101*2	379-01401-101-0	WIRE UL1007#26 400mm BLK
U12A	382-00009-010-0	TINNER WIRE 9MM*D0.6
DIC1.WIC1	382-10005-010-0	TINNER WIRE 5MM D0.6
LED BOSS	615-20125-620-0	LED BOSS LED3-22
	C37-95000-001-0	ROADGEAR160 MASTER PCB SMD
R122B-122D.124B-124D.412.WR3.4	008-00002-600-0	CHIP RES. 0 J 0603
R406.432.453.464.473.476.477	008-01012-600-0	CHIP RES. 100 J 0603
AR5.14.20.DR1.R121B-121D.202A.203A.204A.205A.218A-221A.R301-304.306	008-01032-600-0	CHIP RES. 10K J 0603
R307-309.403.416.421-423.429.435.439.444	008-01032-600-1	
AR10.11.16.17.R107B-107D.108B-108D.405.407.411.414.425.426.431.433.437.448.449	008-01042-600-0	CHIP RES. 100K J 0603
R454.102B-102D.212A.228A	008-01042-600-1	
R404.410.430.436.452	008-01232-600-0	CHIP RES. 12K J 0603
R113B-113D.462.471	008-01512-600-0	CHIP RES. 150 J 0603
AR12.13.18.19	008-01532-600-0	CHIP RES. 15K J 0603

Ref.	Phonic Part No.	Specifications
AR2.4	008-01542-600-0	CHIP RES. 150K J 0603
AR9.R459.460.468.469	008-01832-600-0	CHIP RES. 18K J 0603
R455	008-02212-600-0	CHIP RES. 220 J 0603
R145B-145D.456.465	008-02222-600-0	CHIP RES. 2.2K J 0603
R133B-133D.211A.227A.4 01.408.409.427	008-02232-600-0	CHIP RES. 22K J 0603
DR4.5	008-02442-600-0	CHIP RES. 240K J 0603
R415.418.420.438.441.44 3.237A	008-02722-600-0	CHIP RES. 2.7K J 0603
DR3.R461.470	008-03322-600-0	CHIP RES. 3.3K J 0603
AR7.8.R129B- 129D.207A.223A.424.447	008-03332-600-0	CHIP RES. 33K J 0603
R463.472	008-03922-600-0	CHIP RES. 3.9K J 0603
AR1.3.15.21.R135B- 135D.136B-136D.R146B- 146D.201A.213A.217A.22 9A.DR16-19	008-04722-600-0	CHIP RES. 4.7K J 0603
AR6.DR2	008-04732-600-0	CHIP RES. 47K J 0603
R103B-103D.105B-105D	008-04772-600-0	CHIP RES. 4.7 J 0603
R131B-131D.132B-132D.2 09A.210A.225A.226A.143 B-143D	008-05622-600-0	CHIP RES. 5.6K J 0603
R305.310	008-05632-600-0	CHIP RES. 56K J 0603
R434.450	008-06232-600-0	CHIP RES. 62K J 0603
R417.419.440.442	008-06812-600-0	CHIP RES. 680 J 0603
R128B-128D.130B-	008-06822-600-0	CHIP RES. 6K8 J 0603

Ref.	Phonic Part No.	Specifications
R137B-137D.138B-138D.139B-139D.140B-140D.141B-141D.142B-	008-06832-600-0	CHIP RES. 68K J 0603
R231A.232A.233A.234A.235A.236A	008-06832-600-1	
R134B-134D.402.428	008-07532-600-0	CHIP RES. 75K J 0603
R109B-109D.110B-110D.123B-123D.125B-125D.126B-126D.127B-127D	008-10022-400-0	CHIP RES. 10K F 0603
R118B-118D.120B-120D	008-39012-400-0	CHIP RES. 3.9K F 0603
R457.458.466.467	008-49912-400-0	CHIP RES. 4K99 F 0603
R111B-111D.114B-114D	008-51002-400-0	CHIP RES. 510 F 0603
R104B-104D.106B-106D	008-68012-400-0	CHIP RES. 6.8K F 0603
C144B-144D.217A.233A.402.407.411.423.427.456.433.438.442.447.454.460.463	039-10024-220-0	CHIP C/C 10PF J 50V 0603
C121B-121D.122B-122D.139B-139D.203A.212A.223A.230A.302.308.472.467	039-10124-220-0	CHIP C/C 100PF J 50V 0603
CDC2	039-10124-220-1	
AC4.5.12-15.C420.451.468.469	039-10325-220-0	CHIP 0.01UF 50V K 0603 X7R

Ref.	Phonic Part No.	Specifications
C205A.206A.213A.214A.2 18A.219A.304.305.403.40 4.412.413.425.426.428.42 9.434.435	039-10426-230-0	CHIP C/C 0.1MF M 50V 0603
C123A.123C.124A.124C.1 33A.133C.132A.132C.140 A.140C.141B.141C.145A.1 45C.146B.146D	039-10426-230-1	
C466.471.443.444.461.46 2.DC1	039-10426-230-2	
C421.452	039-12324-220-0	CHIP C/C 0.012MF J 50V 0603
C422.453	039-15324-220-0	CHIP C/C 0.015MF J 50V 0603
AC16.22.6.204A.224A.30 3.309	039-22024-200-0	CHIP C/C 22PF J 50V 0603
C106B-106D.120B-120D	039-22124-220-0	CHIP C/C 220PF J 50V 0603
AC7	039-22224-220-0	CHIP C/C 0.0022UF J 50V 0603
C424.455	039-27024-220-0	CHIP C/C 27PF J 50V 0603
AC8.18.C104B- 104D.105B-105D.108B- 108D.109B-109D	039-33124-220-0	CHIP C/C 330PF J 50V 0603
AC11.21.C137B- 137D.210A.228A	039-33224-220-0	CHIP C/C 0.0033MF J 50V 0603
C135B-135D.136B-	039-33324-220-0	CHIP C/C 0.033MF J 50V 0603
C419.450	039-39224-220-0	CHIP C/C 0.0039MF J 50V 0603
C138B-138D.211A.229A	039-47024-220-0	CHIP C/C 47PF J 50V 0603
C127B-127D.129B- 129D.130B-130D.131B- 131D	039-56024-220-0	CHIP C/C 56PF J 50V 0603
AC10.20	039-82124-220-0	CHIP C/C 820PF J 50V 0603
AIC1.2.3.IC101A.C.102A. C.103A.C.104A.C.201A.20 2A.203A.301.401-408	160-00021-300-0	IC NJM2068 SMD JRC(NJM4580M JRC)

Ref.	Phonic Part No.	Specifications
	290-37960-001-0	PCB RG260 A MAIN
	H37-95000-001-0	ROADGEAR160 MASER PCB A/I
R750	000-10126-400-0	CF RES. 100 J 0.25W T
DR12A-15A	000-10226-400-0	CF RES. 1K J 0.25W T
R748	000-15226-400-0	CF RES. 1K5 J 0.25W T
DR7.749	000-33126-400-0	CF RES. 330 J 0.25W T
PR1.R144B-144D.238A	000-33226-400-0	CF RES. 3K3 J 0.25W T
R101B-101D	000-39126-400-0	CF RES. 390 J 0.25W T
R751	000-39726-400-0	CF RES 3.9J 1/4W T
R116B-116D.117B-117D	006-22010-440-0	MF RES 2K2 F 1/8W T
R112B-112D.115B-115D	006-47010-440-0	MF RES 4K7 F 1/8W T
C148B-	030-10638-0A0-0	E/C 10MF Z 25V 5*11 T
C401.410.432.441.459	030-10728-0A0-0	E/C 100MF Z 16V 6*11 T
AC19.3.9.C134B-134D.207A.225A.306.340	030-22628-0A0-0	E/C 22MF Z 16V 5*11 T
C125B-125D.126B-126D.128B-128D.201A.202A.221A.222A.301.307	030-22638-0A0-0	E/C 22MF Z 25V 5*11 T
C408.439.464	030-22728-0A0-0	E/C 220MF Z 16V 8*11 T
AC17.23.24.C142B-142D.143B-143D.147B-147D.215A.216A.220A.231A.232A.234A.405.406	030-47628-0A0-0	E/C 47MF Z 16V 5*11 T
C409.414.415.417.418.430.431.436.437.440.445.446.448.449.457.458.465.470.475.WC1	030-47628-0A0-1	

Ref.	Phonic Part No.	Specifications
C107B-107D	030-47726-000-0	E/C 470MF M 16V 8*16 P
C102B-102D.103B-103D	033-22668-0A0-0	LN E/C 22MF Z 63V 6*11 T
C101B-101D.754.755	035-47665-0A0-0	MINI E/C 47MF K 63V T
D736	090-01223-000-0	Z/DIODE 22V 0.5W 1N5251B
D737	090-01273-010-0	ZEN/DIODE 27V K 0.5W
D101B-101D.102B-102D.103B-103D.104B-	090-02000-020-0	DIODE 1N4148 T26MM MINI
Q717	120-00000-800-0	TRAN. 2SC1815 GR TOSHIBA
Q102B-102D.104B-104D	120-00001-010-0	TRAN 2SC2240-BL TOSHIBA
AQ1.2	120-00006-200-0	TRAN. 2SC2878 TOSHIBA
Q105B-105D.201A	121-00000-200-0	TRAN. 2SA1015 GR TOSHIBA
Q101B-101D.103B-103D	121-00000-500-0	TRAN 2SA970-BL TOSHIBA
Q715	122-00000-200-0	FET 2SK30A-GR TOSHIBA
JUMP1.2	382-00010-010-0	TINNER WIRE 10MM*D0.6
	F37-95000-002-0	ROADGEAR160 POWER PCB M/I
R735	003-10071-602-0	CEMENT RES. 10 J 2W P
R733	003-10073-601-0	CEMENT RES. 10 J 5W U
R731	003-51074-602-0	CEMENT RES. 51 J 7W
R819	005-15226-200-6	MOF RES. 1K5 2W +/-5%
R729.730	005-47026-200-6	MOF RES. 47J 2W +/-5%
R723	006-10003-420-0	MF RES. 100F 0.5W M
R702.703	006-10034-440-0	MF RES. 100K F 1W T
R742	006-10084-440-0	MF RES. 1 F 1W T
R704.709	006-15013-440-0	MF RES. 1K5 F 0.5W T
R707	006-47013-440-0	MF RES. 4.7K F 0.5W T
R738	006-51013-440-0	MF RES. 5.1K F 0.5W T
PT701	011-10020-001-0	THERMISTER NSA05C310-301
SVR701	020-20238-000-0	R/VR. 2KB 0.5W D10 S 3M
C725.726	030-22866-200-0	E/C 2200UF 63V M D16*40
C721	030-47738-003-0	E/C 470MF Z 25V 10*17 P
C706.707	030-567A6-200-0	E/C 560UF M 250V P
T705	070-2076B-800-0	POWER X'MER 100/115/230V

Ref.	Phonic Part No.	Specifications
T703	070-2082B-800-0	POWER X'MER 110/115*230V
T702	070-2084B-800-0	X'MER 110/115/230V
T704	070-2085B-800-0	X'MER RG160/260
L703	072-20132-000-0	CHOCK COIL 1116
L704	072-20133-000-0	CHOCK COIL 1117
RY801	076-02422-010-0	RELAY OSA-SH-224DM3M
D711.713.715.716	090-00001-030-0	DIODE UF4003
D721	090-00003-000-0	DIODE 1N4007 SILITEK
D709.710	090-00003-010-0	DIODE UF4007
D704.803.804	090-00007-020-0	DIODE 1N4004 SILTEK T
D718	090-00030-000-0	DIODE H16C40C MOSPEC
D720	090-00032-000-0	DIODE H16C40A MOSPEC
ZD706	090-01243-100-0	ZENER DIODE 24V J 1W
D703	090-10000-000-0	B/DIODE PB154
D702	090-10020-000-0	B/DIODE BR108
LED701	100-00040-000-0	LED BL-B3141 YLW
Q701.702.704	120-00002-100-0	TRAN. 2N3904 RCA
Q711	120-00009-900-0	TRAN TIP102ST
Q703	121-00001-200-0	TRAN. 2N3906 RCA
Q712	121-00005-800-0	TRAN. TIP42 SGS
Q705.706.707.708	122-00003-200-0	MOSFET IRF840
IC701	160-00002-909-0	IC ST7915 SGS TO-220 (or Matsushita)
IC703	160-00004-114-0	IC UPC7805H NEC (KIA)
IC702	160-00005-909-0	IC ST7815 SGS TO-220 (or Matsushita)
OC701	160-00010-501-0	IC 4N35 LITON
U701	160-00027-900-0	IC KA3842B
CN801	210-10085-030-0	TMP/SW P82-85-05-100 85
CN701	211-10024-020-0	2P WAFER/S PH:3.96*2
CN702	211-10024-080-0	2P WAFER/S 5273-02A MOLEX
CN802	211-10044-040-0	4P WAFER/S A3963WV2-4P
CN704	211-10051-151-0	5P WAFER/S TJC3-5A PH=2.5MM 180
CN705	211-10074-000-0	7P WAFER/S A3963WV-7P PH=3.96 180
CN706	211-10084-020-0	8P WAFER/S 396108 180 P=3.96MM
Z702	301-47100-000-0	ZNR 470V
	313-00000-000-0	TRANSISTOR WASHER TO-220
D718.720.Q705- 708.711.712.IC702.703	314-00000-050-0	BUSHES 602S(V.0) 180

Ref.	Phonic Part No.	Specifications
	321-00000-007-0	CABLE TIE HW-100MM
C737	382-00015-010-0	TINNER WIRE 15MM*D0.6
IC701	526-20001-110-0	HEAT SINK BLK 19*13*12 L=19MM
	526-20075-010-0	HEAT SINK 48*42*15MM
	552-20094-000-0	TMP/SW FIXED 24*10*0.8
THERMAL SWITCH	590-33004-100-0	M/E PAN SCR. M3.0*4 NI
POWER PCB&HEAT SINK*10.PT701*1	590-33006-100-0	M/E RUD SCR. M3.0*6 NI
D718.720.Q705- 708.711.712.IC701-703	590-33008-100-0	M/E RUD SCR M3.0*8 NI
IC701*1	600-00302-010-0	HEX. NUT M3.0*2.0 NI
D718.720.Q705- 708.711.712.IC701-703	610-00300-501-0	PLA. WAS. D3.0*D7.0*0.5 NI
D718.720.Q705- 708.711.712.IC701- 703,PT701*1	610-60301-006-0	SPR .WAS. D3*D5*1 NI
POWER PCB&LARGE HEATSINK*6	615-20114-630-0	BOSS M3*(8+4)
	H37-95000-002-0	ROADGEAR160 POWER PCB A/I
R811	006-10002-440-0	MF RES. 100 F 0.25W T
R706.711.715.716.717.720	006-10012-440-0	MF RES. 1K F 0.25W T
R712.713.809	006-10022-440-0	MF RES. 10K F 0.25W T
R812	006-10032-440-0	MF RES. 100K F 0.25W T
R739.818	006-12022-440-0	MF RES 12KF 0.25W T
R725	006-18002-440-0	MF RES. 180 F 0.25W T
R708	006-20022-440-0	MF RES. 20K F 0.25W T
R727	006-20032-440-0	MF RES. 200K F 0.25W T
R808	006-22012-440-0	MF RES 2K2 F 0.25W T
R810	006-22022-440-0	MF RES 22K F 0.25W T
R806.807.816	006-22032-420-0	MF RES. 220K F 0.25W M
R724	006-22072-440-0	MF RES. 22 F 0.25W T
R714	006-24022-440-0	MF RES. 24K F 0.25W T
R710	006-27032-420-0	MF RES. 270K F 0.25W M
R740	006-39002-440-0	MF RES. 390 F 0.25W T

Ref.	Phonic Part No.	Specifications
R803.804.813.814	006-39012-420-0	MF RES. 3K9 F 0.25W M
R726	006-47002-440-0	MF RES 470 F 0.25W T
R705	006-47012-400-0	MF RES. 4K7 F 0.25W T
R741	006-51022-420-0	MF RES. 51K F 0.25W T
R718.719.721.722	006-51072-420-0	MF RES. 51F 0.25W M
R736.734	006-56012-440-0	MF RES. 5K6 F 0.25W T
R817	006-56022-440-6	MF RES. 56K +/-1% 0.25W T
R728	006-68002-440-0	MF RES. 680 F 0.25W T
R805.815	006-68012-440-0	MF RES. 6K8 F 0.25W T
C808	030-10556-0A0-0	E/C 1MF M 50V 5*11 T
C807	030-10728-0A0-0	E/C 100MF Z 16V 6*11 T
C723.729.730	030-10748-000-0	E/C 100MF Z 35V 10*12 T
C708	030-10758-0A0-0	E/C 100MF Z 50V 8*12 T
C711	030-22558-0A0-0	E/C 2.2MF Z 50V 5*11 T
C803	030-22728-0A0-0	E/C 220MF Z 16V 8*11 T
C738	030-47628-0A0-0	E/C 47MF Z 16V 5*11 T
C710.722.727.728	030-47658-0A0-0	E/C 47MF Z 50V 8*11 T
C712	042-10196-000-0	C/C2 100PF M 1KV 5
	042-10424-050-0	C/C2 0.1MF J 50V T
C806	042-47124-050-0	C/C2 470PF J 50V 5 T
C733.734	042-47196-000-0	C/C2 470PF M 1KV
C714	051-102C4-000-0	MP/C 0.001MF J 63V P
C716.717	051-103C5-000-0	MP/C 0.01MF K 63V T(PP)(ESK063S10JA)
C713.720.719	051-104C5-000-0	MP/C 0.1MF K 63V T(ESK063P10JA) PP
C715	051-222C4-000-0	MP/C 0.0022MF J 63V T (ESK063D22JA)
C718	051-392C5-000-0	MP/C 0.0039UF K 63V
ZD702-705.707	090-01183-010-0	Z/DIODE 18V K 0.5W FAIRCH
ZD701	090-01303-010-0	Z/DIODE 30V K 0.5W FAIRCH
ZD801	090-01682-000-0	ZEN/DIODE 6.8V J0.5W UNIZO
D705-708.712.801.802	090-02000-020-0	DIODE 1N4148 T26MM MINI
Q710.801.803-806	120-00000-800-0	TRAN. 2SC1815 GR TOSHIBA
Q802	121-00000-200-0	TRAN. 2SA1015 GR TOSHIBA
	290-37960-101-0	PCB RG260 B POWER
	F37-95000-003-0	ROADGEAR160 (C+D) L/R_AMP PCB M/I
R532.533.632.633	003-10093-602-0	CEMEN RE. 0.1 J 5W
R801.802	003-22071-601-0	CEMENT RES. 22 J 2W
R529.530.629.630	004-10136-800-0	FUSE RES. 100 J 0.5W P

Ref.	Phonic Part No.	Specifications
R513.516.613.616	004-47736-800-0	FUSE RES. 4.7 0.5W
SVR501.601	020-47138-000-6	T/VR 470J T-085C-B470 0.5W
D504.505.604.605	090-00007-020-0	DIODE 1N4004 SILTEK T
D512.516.612.616	090-00016-000-0	DIODE 1N5404
Q505.605	120-00005-000-0	TRAN MJE340 MOTOROLA
Q511.611	120-00008-600-0	TRAN 2SC5200-O TOSHIBA
Q503.603	120-00008-800-0	TRAN MJE802 MOTOROLA
Q506.606	120-00009-500-0	TRAN 2SC4793-M TOSHIBA
Q512.612	121-00006-000-0	TRAN 2SA1943-O TOSHIBA
Q502.602	121-00006-100-0	TRAN MJE350 MOTOROLA
Q509.609	121-00007-200-0	TRAN 2SA1837-M TOSHIBA
IC501.601	160-00021-900-0	IC NJM5534D JRC
CN707	211-10044-040-0	4P WAFER/S A3963WV2-4P
CN601	211-10051-151-0	5P WAFER/S TJC3-5A PH=2.5MM 180
CN501	211-10111-090-0	11P WAFER/S
CN402	212-10021-060-6	2P WAFER/P 350MM UL1007#24 P=2.5MM
JP705	212-10070-680-0	7P WAFER/P 240MM
JP706	212-10080-610-0	8P WAFER/P 300MM PH=3.96
Q503.603	313-00000-000-0	TRANSISTOR WASHER TO-220
D507.508.513.517.607.608.613.617	382-00015-010-0	TINNER WIRE 15MM*D0.6
	526-20073-010-0	HEAT SINK 250*262*27MM
FIXED AMP PCB	552-20089-000-0	FIXED
L/FIXED*8	590-33004-100-0	M/E PAN SCR. M3.0*4 NI
	590-33008-100-0	M/E RUD SCR M3.0*8 NI
Q511.512.611.612	590-43010-100-0	M/E PAN SCR. M3.0*10 NI
Q503.506.509.511.512.603.606.609.611.612	610-00300-501-0	PLA. WAS. D3.0*D7.0*0.5 NI
	610-00300-516-0	FIBER WAS. D3*D8*0.5 RED
Q503.506.509.511.603.606.609.611.512.612	610-60301-006-0	SPR .WAS. D3*D5*1 NI
	H37-95000-003-0	ROADGEAR160 (C+D) L/R_AMP PCB A/I
R519.528.619.628	005-101A6-400-0	MOF. RES. 100 0.25W T
R512.518.612.618	006-10002-440-0	MF RES. 100 F 0.25W T

Ref.	Phonic Part No.	Specifications
R503.504.511.514.515.517 .603.604.611.614.615.617	006-10012-440-0	MF RES. 1K F 0.25W T
R507.510.607.610	006-10022-440-0	MF RES. 10K F 0.25W T
R531.534.631.634	006-10072-440-0	MF RES 10 F 1/4W
	006-22012-440-0	MF RES 2K2 F 0.25W T
	006-30012-440-0	MF RES. 3K F 0.25W T
R523.524.623.624	006-30022-420-0	MF RES. 30K F 0.25W M
R505.506.605.606	006-39012-420-0	MF RES. 3K9 F 0.25W M
R501.601	006-49912-440-0	MF RES. 4K99 F 0.25W T
R508.509.608.609	006-68022-420-0	MF RES. 68K F 0.25W M
R502.602	006-75022-420-0	MF RES. 75K F 0.25W T
C509.609	030-10656-0A0-0	E/C 10MF M 50V 5*11 T
C510.515.610.615	030-47686-0A0-0	E/C 47MF M 100V 10*17 T
C501.601	032-10636-0A0-0	NP E/C 10MF M 25V 6.3*11 T
C502.602	042-10020-050-0	C/C2 10PF C 50V T
C503.508.603.608	042-10225-050-0	C/C2 0.001MF K 50V 5 T
C512.513.612.613	042-10345-160-6	C/C2 0.01UF K 100V T
C516.521.526.527.801.61 6.621.626.627.802	042-10446-050-0	C/C2 0.1MF M 100V 5 T
C511.514.611.614	042-47144-050-0	C/C2 470PF J 100V 5T
ZD503.504.603.604	090-01682-000-0	ZEN/DIODE 6.8V J0.5W UNIZO
ZD501.502.601.602	090-01752-010-0	ZEN/DIODE 7V5 K 0.5W FAIRCH
D501-503.506.601- 603.606	090-02000-020-0	DIODE 1N4148 T26MM MINI
Q501.601	120-00001-400-0	TRAN. 2N5551 MOTOROLA
Q507.607	120-00009-700-0	TRAN. BC546B PHILIPS(BC550)
Q504.604	121-00000-300-0	TRAN. 2N5401 MOTOROLA
Q508.608	121-00007-500-0	TRAN. BC556B PHILIPS (BC560)
	290-37960-201-0	PCB RG260 C AMP_L/R*2
	F37-95000-004-0	ROADGEAR160 L/R_CROSS PCB M/I
R905	003-15087-601-0	CEMENT RES. 1.5 J 20W AL
R901	003-60087-601-0	CEMENT 6ohm 20W J AL
R903.904	003-80087-601-0	CEMENT RES. 8ohm 20W 5% AL
PTC901	011-00000-000-0	PTC RDL30V185
C904	050-10504-000-0	MM/C 1MF J 100V P

Ref.	Phonic Part No.	Specifications
C902	050-22504-000-0	MM/C 2.2MF J 100V P
C903	050-47504-000-0	MM/C 4.7MF J 100V P
C901	050-56404-000-0	MM/C 0.56MF J 100V P
L903	072-20116-000-0	COIL 0.5mH
L904	072-20117-000-0	COIL 0.32mH
L901	072-20118-000-0	COIL 0.1mH
L902	072-20119-000-0	COIL 0.2mH
CN801	211-10024-110-0	2P WAFER/S A3963WV2-2P
CN802	211-10044-040-0	4P WAFER/S A3963WV2-4P
	290-37960-400-0	PCB RG260 E L/R_CROSS*2
	321-00000-020-0	CABEL TIE 140MM
	F37-95000-005-0	ROADGEAR160 DSP PCB M/I
J1	212-10200-050-0	20P WAFER/P 220MM
L1.2.3	382-00010-010-0	TINNER WIRE 10MM*D0.6
	C37-95000-005-0	ROADGEAR160 DSP PCB SMD
C18	008-00000-600-0	CHIP RES. 0 J 0805
R5.33.36.37.41.43.46-48.52.59.J3	008-00002-600-0	CHIP RES. 0 J 0603
R30.32	008-01002-600-0	CHIP RES. 10J SMT 0603 PKG
R8.11	008-01012-600-0	CHIP RES. 100 J 0603
R2.19.20.22	008-01022-600-0	CHIP RES. 1K J 0603
R25.27.58.65.66	008-01032-600-0	CHIP RES. 10K J 0603
R31.35	008-01072-600-0	CHIP RES. 1 J 0603
R50	008-02012-600-0	CHIP RES. 200 J 0603
R51	008-03012-600-0	CHIP RES. 300 J 0603
R1.26.28	008-03312-600-0	CHIP RES. 330 J 0603
R29	008-03332-600-0	CHIP RES. 33K J 0603
R34	008-04702-600-0	CHIP RES. 47 J 0603
R9.10.14.15.16.17.67	008-04722-600-0	CHIP RES. 4.7K J 0603
R12.13	008-51002-400-0	CHIP RES. 510 F 0603
C3.9.13.15.20.22.25.28.30	039-10426-230-0	CHIP C/C 0.1MF M 50V 0603
C7.12.14.16.17.19	039-10526-900-0	CHIP E/C 1MF M 50V 4*5.4
C35.39	039-10606-900-0	CHIP E/C 10MF M 16V 4*4.5
C10.11	039-22024-200-0	CHIP C/C 22PF J 50V 0603
C8.21.23.24.26.27.29.31	039-47646-900-0	CHIP E/C 47MF M 6.3V 4*5.4
D2	090-00039-000-0	DIODE BAV99 SMD

Ref.	Phonic Part No.	Specifications
Q1.2	120-00011-100-0	TRAN. MMBTA14 SOT-23 SMD
U5	160-00027-200-0	IC LD1117S33TR SOT-223 ST SMD
U1	170-00007-000-0	TTL IC 74HC393 SMD
U10	171-00004-700-0	CMOS IC UDA1345TS SSOP28 SMD
U8	171-00004-800-0	CMOS IC 74HCT132 SO14 SMD
U2	177-01005-100-0	IC DRAM TMS57002 QFP TI SMD
U6.7	177-01005-300-0	IC DRAM HY534256ALJ SMD
U3	177-01005-700-0	CPU IC TSB87C52X2-MCB PLCC V_A SMD
	290-01660-400-0	PCB K12 DSP 73*63MM
XT1	300-12004-010-0	CRYSTAL 12.000MHz SMD
	F37-95000-006-0	ROADGEAR160/260 INPUT PCB M/I
R701	006-47033-440-0	MF RES. 470K 0.5W T
R737	006-68012-440-0	MF RES. 6K8 F 0.25W T
NTC701*2	012-250B0-010-0	NTC TERMISTOR N15SP2R5L
C735.736	030-47658-0A0-0	E/C 47MF Z 50V 8*11 T
C701	058-10285-000-0	LINE/C 0.001MF K 275V P(FXK2A7D10K0)
C704.705	058-33226-000-0	LINE/C 0.0033UF M 250V Y2
C702.703	058-33486-000-0	LINE/C 0.33UF M 275V X2
L701.702	072-20131-000-0	CHOCK COIL 1115
Q709	120-00005-000-0	TRAN MJE340 MOTOROLA
SW702	210-01202-370-0	SLD/SW HF-308116B
SW701	210-02101-010-0	P/SW KDC-A04-10BA2-G
CN703	211-10021-150-0	2P WAFER/S 5267 A2505 WV P=2.5MM
	212-10026-001-0	2P WAFER/P UL1017#18 150MM BLK/RED
	212-10026-002-0	2P WAFER UL1617#18 BLK/RED 150MM
JP704	212-10051-190-0	5P WAFER/P 150MM (PITCH=2.5MM)
	290-37960-500-0	PCB RG260 F AC
T701	302-13603-000-0	AC FILTER 13.6uH

BOM260

Ref.	Phonic Part No.	Specifications	
FS701	B37-96013-410-1	ROADGEAR260 PHONIC UL	
	280-80266-000-0	FUSE T8A/250V UL/CSA S	
	370-08010-721-0	P/CORD 120V 10A 6F 3PUL/CSA	
	B37-96015-410-0	ROADGEAR260 PHONIC	
	211-09045-000-0	BOT. ENTRY SOCKET 1.58 PSL HSG 1X04	
	211-12300-040-0	AC/S 0717-1-PS	
JP802	212-01260-000-0	6D3/P 2.8*5.6MM CABLE WITH D6.3 PLUG BLK	
	212-10041-310-0	4P WAFER/P 500MM PH=3.96	
JP707	212-10041-320-0	4P WAFER/P 150MM PH=3.96MM	
	280-10366-000-0	FUSE T10A UL/CSA S 5*20	
AC SOCKET TO PCB POWER SW	281-04000-000-0	FUSE HOLDER FH-B02 EDK	
	305-00000-000-0	MAG-CORE LPZT31*19*10	
	321-00000-007-0	CABLE TIE HW-100MM	
	347-00000-200-0	FAN SP802524H 24VDC	
	379-30100-121-0	M.WIRE UL1617#16 100MM RED	
	385-02501-221-0	2P M.RIBBON WIRE UL1617#18 105 500MM	
	510-21350-000-0	PANEL RG260 SECC	
	512-20720-020-0	MIXED PANEL ROADGEAR series (RG260-281-X)	
	512-20730-020-0	LOGO PANEL 110.4*19*7MM ABS(RG260-301-X)	
	516-20540-020-0	TOP COVER ROAD GEAR_series (RG260-211-X)	
	517-20760-020-0	BOT COV. ROAD GEAR_series(RG260-221-X)	
	518-20400-020-0	SOCKET COV. ROAD GEAR_series(RG260-251-X)	
	518-20410-020-0	BOX COV. ROAD GEAR_series(RG260-261-X)	
	518-20420-020-0	HANDLE COV. ROAD GEAR_series(RG260-291-X)	
	524-20009-010-0	TOP HANDLE PA550	
	525-20008-000-0	FEET D38*26MM PA550	
	525-20009-030-0	FEET D20*20 GL-20-B	
	POWER SW LED	529-20032-000-0	LED ACRYLIC LENS 11.5*6*3t
	ALL ROT/VR*37	540-20450-020-0	R/KNOB 8420C BODY+BLK LINE
	POWER SW	542-20320-020-0	P/KNOB ABS BLK
EFX ON/OFF*1	542-60090-122-0	P/KNOB 9.5*5.5*8 LOW WHT	
POWER SW BUSH.	543-20210-020-0	P/KNOB BUSH. BLK ABS	
POWER SW BRKT	551-20079-420-0	PUSH BRKT ABS I_SERIES	
	551-20081-420-0	WHEEL BRKT. BLK PC (RG260-241-X)	
	551-20085-100-0	HEAT SINK BRKT. BLK SECC (RG260-071-X)	
	551-20085-100-F	HEAT SINK BRKT MATERIAL	
	551-20086-100-0	PANEL BRKT. SECC (RG260-081-X)	
	551-20087-100-0	SW BRKT. BLK SECC RG260-091-X	
	551-20088-100-0	FAN BRKT. SECC RG260-121-X	

Ref.	Phonic Part No.	Specifications
	551-20088-100-F	FAN BRKT SECC. MATERIAL
	551-20089-400-0	WHEEL BRKT. 901P-58 SECC (901P-58)
	551-20090-100-0	WHEEL BRKT. RG260/160 SECC(RG260-351-XX)
	552-20091-420-0	FIXED ROAD GEAR (RG260-271-X)
	552-60041-000-0	FISED SUC1.2 RG260
	553-20016-480-0	PCB SHIELD PLATE 427*201*0.5(RG260-431-X
	560-61060-000-0	CARTON RG260
	561-21440-010-0	G/B RG260
	562-24400-000-0	PULP PANEL (A)794.28*836 (RG260-311-X)
	562-24410-000-0	PULP PANEL (B) 433.9*362 (RG260-331-X)
	562-24420-000-0	PULP PANEL (C) 967*360 (RG260-341-X)
	565-20062-000-0	POLYLON 250*100*35 RG_series
	566-10002-010-0	SPONGE 160*10*2MM
	566-10015-010-0	SPONGE 40*10*5
	568-00003-000-0	#10 240*340*0.05
	568-20086-070-0	PPC BAG ROAD GEAR
	568-60079-000-0	GE BAG:1250*980mm BT50
	572-00000-050-0	DRYER 5g
	573-10124-010-0	GND LABEL MAR2
	573-20230-000-0	VOLT LABEL RG260
	573-60240-000-0	BAR CODE LABEL PHONIC
	573-60343-000-0	LABEL BLUE D=8mm
	573-60343-100-0	LABEL SILVER D=8mm RG160/260
	573-60950-000-0	FUSE LABEL T10A H 250V 30*8mm
	573-60960-000-0	CAUTION LABEL 20*77mm
	574-37960-110-0	OWN. MANU. RG260 PHONIC
FIXED HANDLE*4	590-25024-200-7	M/E BID SCR. M5*24 BLK
POWER SW&BRKT*2, POWER SW*2.HEATSI NK&FANFIXED*3,BOS S*4.	590-33004-100-0	M/E PAN SCR. M3.0*4 NI
BOSS&AC PCB*4, PLATE&BOSS&DSP*15	590-33006-200-0	M/E RUD SCR. M3*6 BLK
GND*1, 115/230V SW*2	590-33008-100-0	M/E RUD SCR M3.0*8 NI
PANEL&PANEL FIXED*8,HEAT SINK&FIXED*6	590-43010-200-0	M/E PAN SCR M3.0*10 BLK
FIXED FAN*4	590-43032-100-0	M/E PAN SCR.M3.0*32 NI
FIXED FEET*2	590-44025-200-0	M/E PAN SCR M4*25 BLK

Ref.	Phonic Part No.	Specifications
	590-54012-200-0	M/E SET SCR. M4*12 BLK
RCA JACK*2, XLR JACK*8	591-33008-100-0	T/P RUD SCR. M3*8 NI
D.SUB&CASE*4	591-43014-200-0	T/P PAN SCR. D3.0*14 BLK
BIG FEET*2.	591-45025-200-0	T/P PAN SCR. M5.0*25 BLK
	591-53008-200-0	T/P SET SCR. D3.0*8 BLK
FIX LOCK*1	591-53010-200-0	T/P SET SCR. M3.0*10 BLK
	591-54012-200-0	T/P SET SCR. D4.0*12 BLK
MIXED PANEL	591-55050-200-0	T/P SET SCR. D5*50 BLK
MAST PCB, FIXED FAN*4	600-00302-010-0	HEX. NUT M3.0*2.0 NI
FIXED FEET*2	600-20402-000-0	NUT M4.0*2.0 ZN L14*W10
FIXED FAN*4	610-00300-501-0	PLA. WAS. D3.0*D7.0*0.5 NI
	610-00301-018-0	FIBER WAS. D3.0*8*1
MIC JACK	610-00352-016-0	FIBER WAS. D3.5*7*2 (RED)
FIX LOCK*1	610-12291-018-0	SQU. WAS. 22*9*1
JACK*20	610-20900-501-0	IN. TOOTH WAS. D9*0.5 NI
	610-30301-001-0	TOOTH WAS. D3*D8*1 NI
FIXED FAN*4	610-60301-006-0	SPR .WAS. D3*D5*1 NI
MASTER PCB&PLATE*11, DSP&PLATE*4	615-20114-630-0	BOSS M3*(8+4)
FAN FIXED&LAC PCB*4	615-60023-630-0	BOSS L=16MM M3.0
FIXED FAN*4	615-60075-600-0	FAN BOSS D8*D5.8*16.3
	615-60086-630-0	HEX. BOSS L=8mm D=9mm
	620-10000-001-0	WHEEL 901P-58 58MM PU
SW401.702	631-10027-000-0	HEMELON 24*12
	T01-00100-002-0	UM-99 PHONIC NO
	W37-96015-410-0	RG260 WOOD CASE
	211-01602-190-0	PHONO JACK EPJ-68
	212-10023-710-0	2P WAFER/P 400MM PH=3.96MM
	212-10041-330-0	4P WAFER/P 320MM PH=3.96MM
	341-01052-520-0	TWEETER 1" 6R 25W
	341-08007-700-0	WFPHO20003003H 8" 8ohm 120W
	510-21330-020-0	FRONT PANEL RG260(RG260-161-X)
	512-20670-090-0	LOGO PANEL
	512-20740-020-0	TRIM PANEL ROAD GEAR PP(RG260-171-X)
	516-20530-020-0	TOP COVER ROAD GEAR series(RG260-141-X)
	518-20430-020-0	TRIM COV. BLK ROAD GEAR (RG260-201-X)

Ref.	Phonic Part No.	Specifications
	522-20140-020-0	SPEAKER CASE ROAD GEAR (RG260-131-X)
	524-20013-020-0	HANDLE ROAD GEAR (RG260-151-X)
	525-20010-000-0	FEET 64.5*23*6.5 BLK (RG260-191-X)
	528-20019-000-0	SPEAKER NET 8002C ROAD GEAR (RG260-031-X)
	551-20082-100-0	TO COV. BRKT. BLK SECC (RG260-011-X)
	551-20083-100-0	HANDLE BRKT. BLK SECC (RG260-021-X)
	552-20092-000-0	FIXED BLK SECC ROAD GEAR (RG260-051-X)
	552-20092-000-F	FIXED BLK SECC MATERIAL
	552-20093-420-0	CASE FIXED ROAD GEAR
	566-20074-011-0	SPK. NET SPONGE 1059*12*0.5MM PA450
	566-60037-000-0	SPONG 135*18*1.5mm
	566-60038-010-0	SPONGE 1300*20*5mm
	573-60930-000-0	CASE LABEL 60*15MM RG260
CASE&BRKT*4	590-06030-200-0	M/E FLT SCR. M6*30 D11 BLK
	590-33008-200-0	M/E RUD SCR. M3.0*8 BLK
	590-54008-200-0	M/E SET SCR. M4.0*8 BLK
TOP COV.&BRKT	590-54019-200-0	M/E SET SCR M4.0*19 BLK
NET&FRONT COV.*2	591-33008-100-0	T/P RUD SCR. M3*8 NI
HANDLE&TOP COV.*2	591-34020-200-0	T/P RUD SCR. D4*20 BLK
PCB&CASE*6	591-43010-200-0	T/P PAN SCR. D3.0*10 BLK
HORN	591-54012-200-0	T/P SET SCR. D4.0*12 BLK
CASE&TOP COV*8.CASE&SPK.*8	591-54020-200-0	T/P SET SCR. D4.0*20 BLK
	610-00501-202-7	WASHER D12*D5*1.2t BLK
	615-70003-210-0	BOT BOSS D35*D108*89 SFJ308
	633-20008-000-0	CASE RUBBER BLK ROAD GEAR
	639-20000-110-0	HORN ROAD GEAR series
	F37-95000-002-0	ROADGEAR160 POWER PCB M/I
R735	003-10071-602-0	CEMENT RES. 10 J 2W P
R733	003-10073-601-0	CEMENT RES. 10 J 5W U
R731	003-51074-602-0	CEMENT RES. 51 J 7W
R819	005-15226-200-6	MOF RES. 1K5 2W +/-5%
R729.730	005-47026-200-6	MOF RES. 47J 2W +/-5%
R723	006-10003-420-0	MF RES. 100F 0.5W M
R702.703	006-10034-440-0	MF RES. 100K F 1W T
R742	006-10084-440-0	MF RES. 1 F 1W T
R704.709	006-15013-440-0	MF RES. 1K5 F 0.5W T

Ref.	Phonic Part No.	Specifications
R707	006-47013-440-0	MF RES. 4.7K F 0.5W T
R738	006-51013-440-0	MF RES. 5.1K F 0.5W T
PT701	011-10020-001-0	THERMISTER NSA05C310-301
SVR701	020-20238-000-0	R/VR. 2KB 0.5W D10 S 3M
C725.726	030-22866-200-0	E/C 2200UF 63V M D16*40
C721	030-47738-003-0	E/C 470MF Z 25V 10*17 P
C706.707	030-567A6-200-0	E/C 560UF M 250V P
T705	070-2076B-800-0	POWER X'MER 100/115/230V
T703	070-2082B-800-0	POWER X'MER 110/115*230V
T702	070-2084B-800-0	X'MER 110/115/230V
T704	070-2085B-800-0	X'MER RG160/260
L703	072-20132-000-0	CHOCK COIL 1116
L704	072-20133-000-0	CHOCK COIL 1117
RY801	076-02422-010-0	RELAY OSA-SH-224DM3M
D711.713.715.716	090-00001-030-0	DIODE UF4003
D721	090-00003-000-0	DIODE 1N4007 SILITEK
D709.710	090-00003-010-0	DIODE UF4007
D704.803.804	090-00007-020-0	DIODE 1N4004 SILTEK T
D718	090-00030-000-0	DIODE H16C40C MOSPEC
D720	090-00032-000-0	DIODE H16C40A MOSPEC
ZD706	090-01243-100-0	ZENER DIODE 24V J 1W
D703	090-10000-000-0	B/DIODE PB154
D702	090-10020-000-0	B/DIODE BR108
LED701	100-00040-000-0	LED BL-B3141 YLW
Q701.702.704	120-00002-100-0	TRAN. 2N3904 RCA
Q711	120-00009-900-0	TRAN TIP102ST
Q703	121-00001-200-0	TRAN. 2N3906 RCA
Q712	121-00005-800-0	TRAN. TIP42 SGS
Q705.706.707.708	122-00003-200-0	MOSFET IRF840
IC701	160-00002-909-0	IC ST7915 SGS TO-220 (or Matsushita)
IC703	160-00004-114-0	IC UPC7805H NEC (KIA)
IC702	160-00005-909-0	IC ST7815 SGS TO-220 (or Matsushita)
OC701	160-00010-501-0	IC 4N35 LITON
U701	160-00027-900-0	IC KA3842B
CN801	210-10085-030-0	TMP/SW P82-85-05-100
CN701	211-10024-020-0	2P WAFER/S PH:3.96*2
CN702	211-10024-080-0	2P WAFER/S 5273-02A MOLEX
CN802	211-10044-040-0	4P WAFER/S A3963WV2-4P
CN704	211-10051-151-0	5P WAFER/S TJC3-5A PH=2.5MM

Ref.	Phonic Part No.	Specifications
CN705	211-10074-000-0	7P WAFER/S A3963WV-7P PH=3.96
CN706	211-10084-020-0	8P WAFER/S 396108 180 P=3.96MM
Z702	301-47100-000-0	ZNR 470V
	313-00000-000-0	TRANSISTOR WASHER TO-220
D718.720.Q705- 708.711.712.IC702.703	314-00000-050-0	BUSHES 602S(V.0)
	321-00000-007-0	CABLE TIE HW-100MM
C737	382-00015-010-0	TINNER WIRE 15MM*D0.6
IC701	526-20001-110-0	HEAT SINK BLK 19*13*12 L=19MM
	526-20075-010-0	HEAT SINK 48*42*15MM
	552-20094-000-0	TMP/SW FIXED 24*10*0.8
THERMAL SWITCH	590-33004-100-0	M/E PAN SCR. M3.0*4 NI
POWER PCB&HEAT SINK*10.PT701*1	590-33006-100-0	M/E RUD SCR. M3.0*6 NI
D718.720.Q705- 708.711.712.IC701-703	590-33008-100-0	M/E RUD SCR M3.0*8 NI
IC701*1	600-00302-010-0	HEX. NUT M3.0*2.0 NI
D718.720.Q705- 708.711.712.IC701-703	610-00300-501-0	PLA. WAS. D3.0*D7.0*0.5 NI
D718.720.Q705- 708.711.712.IC701- 703,PT701*1	610-60301-006-0	SPR .WAS. D3*D5*1 NI
POWER PCB&LARGE HEATSINK*6	615-20114-630-0	BOSS M3*(8+4)
	H37-95000-002-0	ROADGEAR160 POWER PCB A/I
R811	006-10002-440-0	MF RES. 100 F 0.25W T
	006-10012-440-0	MF RES. 1K F 0.25W T
R712.713.809	006-10022-440-0	MF RES. 10K F 0.25W T
R812	006-10032-440-0	MF RES. 100K F 0.25W T
R739.818	006-12022-440-0	MF RES 12KF 0.25W T
R725	006-18002-440-0	MF RES. 180 F 0.25W T
R708	006-20022-440-0	MF RES. 20K F 0.25W T
R727	006-20032-440-0	MF RES. 200K F 0.25W T
R808	006-22012-440-0	MF RES 2K2 F 0.25W T
R810	006-22022-440-0	MF RES 22K F 0.25W T
R806.807.816	006-22032-420-0	MF RES. 220K F 0.25W M
R724	006-22072-440-0	MF RES. 22 F 0.25W T

Ref.	Phonic Part No.	Specifications
R714	006-24022-440-0	MF RES. 24K F 0.25W T
R710	006-27032-420-0	MF RES. 270K F 0.25W M
R740	006-39002-440-0	MF RES. 390 F 0.25W T
R803.804.813.814	006-39012-420-0	MF RES. 3K9 F 0.25W M
R726	006-47002-440-0	MF RES. 470 F 0.25W T
R705	006-47012-400-0	MF RES. 4K7 F 0.25W T
R741	006-51022-420-0	MF RES. 51K F 0.25W T
R718.719.721.722	006-51072-420-0	MF RES. 51F 0.25W M
R736.734	006-56012-440-0	MF RES. 5K6 F 0.25W T
R817	006-56022-440-6	MF RES. 56K +/-1% 0.25W T
R728	006-68002-440-0	MF RES. 680 F 0.25W T
R805.815	006-68012-440-0	MF RES. 6K8 F 0.25W T
C808	030-10556-0A0-0	E/C 1MF M 50V 5*11 T
C807	030-10728-0A0-0	E/C 100MF Z 16V 6*11 T
C723.729.730	030-10748-000-0	E/C 100MF Z 35V 10*12 T
C708	030-10758-0A0-0	E/C 100MF Z 50V 8*12 T
C711	030-22558-0A0-0	E/C 2.2MF Z 50V 5*11 T
C803	030-22728-0A0-0	E/C 220MF Z 16V 8*11 T
C738	030-47628-0A0-0	E/C 47MF Z 16V 5*11 T
C710.722.727.728	030-47658-0A0-0	E/C 47MF Z 50V 8*11 T
C712	042-10196-000-0	C/C2 100PF M 1KV 5
	042-10424-050-0	C/C2 0.1MF J 50V T
C806	042-47124-050-0	C/C2 470PF J 50V 5 T
C733.734	042-47196-000-0	C/C2 470PF M 1KV
C714	051-102C4-000-0	MP/C 0.001MF J 63V P
C716.717	051-103C5-000-0	MP/C 0.01MF K 63V T(ESK063S10JA)
C713.720.719	051-104C5-000-0	MP/C 0.1MF K 63V T(ESK063P10JA)
C715	051-222C4-000-0	MP/C 0.0022MF J 63V T (ESK063D22JA)
C718	051-392C5-000-0	MP/C 0.0039UF K 63V
ZD702-705.707	090-01183-010-0	Z/DIODE 18V K 0.5W FAIRCH
ZD701	090-01303-010-0	Z/DIODE 30V K 0.5W FAIRCH
ZD801	090-01682-000-0	ZEN/DIODE 6.8V J0.5W UNIZO
D705-708.712.801.802	090-02000-020-0	DIODE 1N4148 T26MM MINI
Q710.801.803-806	120-00000-800-0	TRAN. 2SC1815 GR TOSHIBA
Q802	121-00000-200-0	TRAN. 2SA1015 GR TOSHIBA
	290-37960-101-0	PCB RG260 POWER
	F37-95000-006-0	ROADGEAR160/260 INPUT PCB M/I
R701	006-47033-440-0	MF RES. 470K 0.5W T

Ref.	Phonic Part No.	Specifications
R737	006-68012-440-0	MF RES. 6K8 F 0.25W T
NTC701*2	012-250B0-010-0	NTC TERMISTOR N15SP2R5L
C735.736	030-47658-0A0-0	E/C 47MF Z 50V 8*11 T
C701	058-10285-000-0	LINE/C 0.001MF K 275V P(FXK2A7D10K0)
C704.705	058-33226-000-0	LINE/C 0.0033UF M 250V Y2
C702.703	058-33486-000-0	LINE/C 0.33UF M 275V X2
L701.702	072-20131-000-0	CHOCK COIL 1115
Q709	120-00005-000-0	TRAN MJE340 MOTOROLA
SW702	210-01202-370-0	SLD/SW HF-308116B
SW701	210-02101-010-0	P/SW KDC-A04-10BA2-G
CN703	211-10021-150-0	2P WAFER/S 5267 A2505 WV P=2.5MM
	212-10026-001-0	2P WAFER/P UL1017#18 150MM BLK/RED
	212-10026-002-0	2P WAFER UL1617#18 BLK/RED 150MM
JP704	212-10051-190-0	5P WAFER/P 150MM (PITCH=2.5MM)
	290-37960-500-0	PCB RG260 AC
T701	302-13603-000-0	AC FILTER 13.6uH
	F37-96000-001-0	ROAD GEAR260 MASTER PCB M/I
WR1	000-10036-400-0	CF RES 10 J 0.5W T
CDS401.402	010-00001-010-0	CDS P873-G35-552 HAMAMATSU
VR103A-103D.105A-105D	022-20350-001-0	S.ROT/VR 20KA L=30MM F=12MM
VR101A-101D.102A-102D.104A-104D	022-50350-011-0	S.ROT/VR 50KB(C.C)L=30MM
VR203A.203B.205A.205B.401.405.406	023-20350-001-0	D.ROT/VR 20KA 30MM P
VR201A.201B.202A.202B.204A.204B.402.403.404	023-50350-001-0	D.ROT/VR 50KB(C.C) 30MM P
D733.734	090-00007-020-0	DIODE 1N4004 SILTEK T
D735	090-01513-110-0	Z/D10DE 51V 1W MOTOROLA
BD401.402	090-10000-000-0	B/DIODE PB154
LED101A-	100-00010-030-0	LED BL-B5141 RED
LED1-17	100-00050-000-0	LED BL-B2141 GRN
PLED1	100-00150-040-0	LED 2*4mm BL-RGE131 Green
Q716	120-00005-000-0	TRAN MJE340 MOTOROLA
U16	171-00000-310-0	CMOS IC HD74HC74P HITACHI
U15	171-00003-500-0	CMOS IC 74HC14 HITACHI
U12	177-02000-301-0	GAL IC 16V8D-15 LP LATTICE

Ref.	Phonic Part No.	Specifications
SW401.702	210-01202-360-0	SLD/SW SS70020-02020-14T-021-MM
SW1	210-02202-070-0	PUSH/SW SPEC12HC11-JP
SW2	210-16000-000-0	ENCODER SDB161PVB20F-1-4-16PC
JK401	211-00021-100-0	RCA JACK RL-1414-2D
JK201	211-00041-100-0	4P RCA/J RL-1414-4D
JK202A.202B.203A.203 B.301.302.402-405	211-01601-240-0	6D3/J JY-6351-02-130 SCJ-0658
JK1.102A-102D	211-01602-380-0	6D3/J (SCJ-0658-Y)
JK406	211-01602-390-0	6D3/J JY-6351-02-030 SCJ-0658
JK801-804	211-01602-560-0	6D4/J YLJ-6405-300 (NUT&WASHER)
JK101A-101D	211-03300-160-0	XLR/J SKCA229-1K3F2
J2	211-09202-000-0	20P B.E./S
PCN1.CN402	211-10021-161-0	2P WAFER/S TJC3-2A P=2.5MM
CN802	211-10044-040-0	4P WAFER/S A3963WV2-4P
WCN1.2	211-10050-011-0	5P WAFER/S P=2.0
U12	211-11202-002-0	IC/S 20P 9.8*25MM
CN101*2	211-14202-000-0	D-SUB/S 3231-20P
POWER LED	212-10022-680-0	2P WAFER/P 100MM UL1007#24 P=2.5MM
CN101*2	212-10050-010-0	5P WAFER/S PH=2.0 300MM
JP501.601	212-10160-120-0	16P WAFER/P #24 AWG P=2.5 550+500MM
CN101*2	379-01401-101-0	WIRE UL1007#26 400mm BLK
ICU12A	382-00009-010-0	TINNER WIRE 9MM*D0.6
DIC1.WIC1	382-10005-010-0	TINNER WIRE 5MM D0.6
	615-20125-620-0	LED BOSS LED3-22
	C37-96000-001-0	ROADGEAR260 MASTER PCB SMD
R122A-122D.124A- 124D.412.WR2.3	008-00002-600-0	CHIP RES. 0 J 0603
R406.432.453.464.473. 476.477	008-01012-600-0	CHIP RES. 100 J 0603
DR8-11	008-01022-600-0	CHIP RES. 1K J 0603
AR14.20.5.DR1.R121A- 121D.202A.202B.203A.2 03B.204A.204B.205A.20 5B.218A.	008-01032-600-0	CHIP RES. 10K J 0603
R218B.219A.219B .220A.220B.221A. 221B.301-304.306- 309.403.416.421- 423.429.435.439	008-01032-600-1	
R444.445.446.451	008-01032-600-2	

Ref.	Phonic Part No.	Specifications
AR10.11.16.17.R107A-107D.108A-108D.405.407.411.414.425.426.431.433.437.448.449	008-01042-600-0	CHIP RES. 100K J 0603
R454.102A-	008-01042-600-1	
R404.410.430.436.452	008-01232-600-0	CHIP RES. 12K J 0603
R113A-113D.462.471	008-01512-600-0	CHIP RES. 150 J 0603
AR12.13.18.19	008-01532-600-0	CHIP RES. 15K J 0603
AR2.4	008-01542-600-0	CHIP RES. 150K J 0603
AR9.R459.460.468.469	008-01832-600-0	CHIP RES. 18K J 0603
R455	008-02212-600-0	CHIP RES. 220 J 0603
R456.465.145A-145D	008-02222-600-0	CHIP RES. 2.2K J 0603
R133A-133D.211A.211B.227A.227B.408.409.4	008-02232-600-0	CHIP RES. 22K J 0603
DR4.5	008-02442-600-0	CHIP RES. 240K J 0603
R415.418.420.438.441.443.237A.237B	008-02722-600-0	CHIP RES. 2.7K J 0603
DR3.R461.470	008-03322-600-0	CHIP RES. 3.3K J 0603
AR7.8.R129A-129D.207A.207B.223A.223B.424.447	008-03332-600-0	CHIP RES. 33K J 0603
R463.472	008-03922-600-0	CHIP RES. 3.9K J 0603
AR1.3.15.21.R135A-135D.136A-136D.146A-146D.201A.201B.213A.213B.217A.217B.229A.22	008-04722-600-0	CHIP RES. 4.7K J 0603
AR6.DR2	008-04732-600-0	CHIP RES. 47K J 0603
R103A-103D.105A-105D	008-04772-600-0	CHIP RES. 4.7 J 0603
R131A-131D.132A-132D.209A.209B.210A.210B.225A.225B.226A.226B.143A-143D	008-05622-600-0	CHIP RES. 5.6K J 0603
R305.310	008-05632-600-0	CHIP RES. 56K J 0603
R434.450	008-06232-600-0	CHIP RES. 62K J 0603
R417.419.440.442	008-06812-600-0	CHIP RES. 680 J 0603

Ref.	Phonic Part No.	Specifications
R128A-128D.130A-130D .206A.206B.208A.208B. 222A.222B.224A.224B	008-06822-600-0	CHIP RES. 6K8 J 0603
R137A-137D.138A- 138D.139A-139D.140A- 140D.141A-141D.142A-	008-06832-600-0	CHIP RES. 68K J 0603
R216A.216B.230A.230B .231A.231B.232A.232B. 233A.233B.234A.234B.2 35A.235B.236A.236B	008-06832-600-1	
R134A-134D.402.428	008-07532-600-0	CHIP RES. 75K J 0603
R109A-109D.110A- 110D.123A-123D.125A- 125D.126A-126D.127A- 127D	008-10022-400-0	CHIP RES. 10K F 0603
R118A-118D.120A-120D	008-39012-400-0	CHIP RES. 3.9K F 0603
R457.458.466.467	008-49912-400-0	CHIP RES. 4K99 F 0603
R111A-111D.114A-114D	008-51002-400-0	CHIP RES. 510 F 0603
R104A-104D.106A-106D	008-68012-400-0	CHIP RES. 6.8K F 0603
C144A-144D.217A.217B .233A.233B.402.411.433 .442.460.407.438.447.46 3.423.454	039-10024-220-0	CHIP C/C 10PF J 50V 0603
C427.456	039-10024-220-1	
C121A-121D.122A- 122D.139A-139D.203A. 203B.212A.212B.223A.2 23B.230A.230B.302.308	039-10124-220-0	CHIP C/C 100PF J 50V 0603
C472.467.DC2	039-10124-220-1	
AC4.5.12-	039-10325-220-0	CHIP 0.01UF 50V K 0603 X7R
C123A.123C.124A.124C .132A.132C.133A.133C. 140A.140C.141B.141C.1 45A.145C.146B.146D	039-10426-230-0	CHIP C/C 0.1MF M 50V 0603

Ref.	Phonic Part No.	Specifications
C205A.205B.206A.206B .213A.213B.214A.214B. 218A.218B.219A.219B.3 04.305.403.404.412	039-10426-230-1	
C413.425.426.428.429.4 34.435.443.444.461.462. DC1.466.471	039-10426-230-2	
C421.452	039-12324-220-0	CHIP C/C 0.012MF J 50V 0603
C422.453	039-15324-220-0	CHIP C/C 0.015MF J 50V 0603
AC16.22.6.C204A.204B. 224A.224B.303.309	039-22024-200-0	CHIP C/C 22PF J 50V 0603
C106A-106D.120A-120D	039-22124-220-0	CHIP C/C 220PF J 50V 0603
AC7	039-22224-220-0	CHIP C/C 0.0022UF J 50V 0603
C424.455	039-27024-220-0	CHIP C/C 27PF J 50V 0603
AC8.18.C104A- 104D.105A-105D.108A- 108D.109A-109D	039-33124-220-0	CHIP C/C 330PF J 50V 0603
AC11.21.C137A-	039-33224-220-0	CHIP C/C 0.0033MF J 50V 0603
C135A-135D.136A-136D .208A.208B.209A.209B. 226A.226B.227A.227B	039-33324-220-0	CHIP C/C 0.033MF J 50V 0603
C419.450	039-39224-220-0	CHIP C/C 0.0039MF J 50V 0603
C138A-	039-47024-220-0	CHIP C/C 47PF J 50V 0603
C127A-127D.129A- 129D.130A-130D.131A- 131D	039-56024-220-0	CHIP C/C 56PF J 50V 0603
AC10.20	039-82124-220-0	CHIP C/C 820PF J 50V 0603
AIC1.2.3.IC101A.C.102A .C.103A.C.104A.104C.2 01A.201B.202A.202B.20 3A.203B	160-00021-300-0	IC NJM2068 SMD JRC(NJM4580M JRC)
IC301.401-408	160-00021-300-1 290-37960-001-0 H37-96000-001-0	PCB RG260 MAIN ROADGEAR260 MASER PCB A/I
DR12-15.R750	000-10126-400-0	CF RES. 100 J 0.25W T

Ref.	Phonic Part No.	Specifications
R748	000-15226-400-0	CF RES. 1K5 J 0.25W T
DR7.R749	000-33126-400-0	CF RES. 330 J 0.25W T
PR1.R144A- 144D.238A.238B	000-33226-400-0	CF RES. 3K3 J 0.25W T
R101A-101D	000-39126-400-0	CF RES. 390 J 0.25W T
R751	000-39726-400-0	CF RES 3.9J 1/4W T
R116A-116D.117A-117D	006-22010-440-0	MF RES 2K2 F 1/8W T
R112A-112D.115A-115D	006-47010-440-0	MF RES 4K7 F 1/8W T
C148A-148D.235A.235B .DC3.WC2.AC1.2	030-10638-0A0-0	E/C 10MF Z 25V 5*11 T
C401.410.432.441.459	030-10728-0A0-0	E/C 100MF Z 16V 6*11 T
AC19.3.9.C134A-134D. 207A.207B.225A.225B. 306.34	030-22628-0A0-0	E/C 22MF Z 16V 5*11 T
C125A-125D.126A- 126D.128A-128D.201A. 201B.202A.202B.221A.2 21B.222A.222B.301.307	030-22638-0A0-0	E/C 22MF Z 25V 5*11 T
C408.439.464	030-22728-0A0-0	E/C 220MF Z 16V 8*11 T
AC17.23.24.C142A- 142D.143A-143D.147A- 147D.215A.215B.216A.2 16B.220A.220B.231A	030-47628-0A0-0	E/C 47MF Z 16V 5*11 T
C231B.232A.232B.234A .234B.405.406.409.414. 415.417.418.430.431.43 6.437.440.445	030-47628-0A0-1	
C446.448.449.457.458.4 65.470.475.WC1	030-47628-0A0-2	
C107A-107D	030-47726-000-0	E/C 470MF M 16V 8*16 P
C102A-102D.103A-103D	033-22668-0A0-0	LN E/C 22MF Z 63V 6*11 T
C101A-101D.754.755	035-47665-0A0-0	MINI E/C 47MF K 63V T
D736	090-01223-000-0	Z/DIODE 22V 0.5W 1N5251B
D737	090-01273-010-0	ZEN/DIODE 27V K 0.5W

Ref.	Phonic Part No.	Specifications
D101A-101D.102A-102D.103A-103D.104A-104D.201A.201B.202A.202B.203A.203B.204A.204B	090-02000-020-0	DIODE 1N4148 T26MM MINI
Q717	120-00000-800-0	TRAN. 2SC1815 GR TOSHIBA
Q102A-102D.104A-104D	120-00001-010-0	TRAN 2SC2240-BL TOSHIBA
AQ1.2	120-00006-200-0	TRAN. 2SC2878 TOSHIBA
Q105A-105D.201A.201B	121-00000-200-0	TRAN. 2SA1015 GR TOSHIBA
Q101A-101D.103A-103D	121-00000-500-0	TRAN 2SA970-BL TOSHIBA
Q715	122-00000-200-0	FET 2SK30A-GR TOSHIBA
	F37-96000-003-0	ROADGEAR260 (C+D) L/R_AMP PCB M/I
R532.533.632.633	003-10093-602-0	CEMEN RE. 0.1 J 5W
R801.802	003-22071-601-0	CEMENT RES. 22 J 2W
R529.530.629.630	004-10136-800-0	FUSE RES. 100 J 0.5W P
R513.516.613.616	004-47736-800-0	FUSE RES. 4.7 0.5W
SVR501.601	020-47138-000-6	T/VR 470J T-085C-B470 0.5W
D504.505.604.605	090-00007-020-0	DIODE 1N4004 SILTEK T
D512.516.612.616	090-00016-000-0	DIODE 1N5404
Q505.605	120-00005-000-0	TRAN MJE340 MOTOROLA
Q511.611	120-00008-600-0	TRAN 2SC5200-O TOSHIBA
Q503.603	120-00008-800-0	TRAN MJE802 MOTOROLA
Q506.606	120-00009-500-0	TRAN 2SC4793-M TOSHIBA
Q512.612	121-00006-000-0	TRAN 2SA1943-O TOSHIBA
Q502.602	121-00006-100-0	TRAN MJE350 MOTOROLA
Q509.609	121-00007-200-0	TRAN 2SA1837-M TOSHIBA
IC501.601	160-00021-900-0	IC NJM5534D JRC
CN707	211-10044-040-0	4P WAFER/S A3963WV2-4P
CN601	211-10051-151-0	5P WAFER/S TJC3-5A PH=2.5MM
CN501	211-10111-090-0	11P WAFER/S
CN402	212-10021-060-6	2P WAFER/P 350MM UL1007#24 P=2.5MM
JP705	212-10070-680-0	7P WAFER/P 240MM
JP706	212-10080-610-0	8P WAFER/P 300MM PH=3.96
Q503.603	313-00000-000-0	TRANSISTOR WASHER TO-220
D507.508.513.517.607.608.613.617	382-00015-010-0	TINNER WIRE 15MM*D0.6
	526-20072-010-0	HEAT SINK 250*262*27MM
FIXED AMP PCB	552-20089-000-0	FIXED
L/FIXED*8	590-33004-100-0	M/E PAN SCR. M3.0*4 NI

Ref.	Phonic Part No.	Specifications
	590-33008-100-0	M/E RUD SCR M3.0*8 NI
Q511.512.611.612	590-43010-100-0	M/E PAN SCR. M3.0*10 NI
Q503.506.509.511.512.6 03.606.609.611.612	610-00300-501-0	PLA. WAS. D3.0*D7.0*0.5 NI
	610-00300-516-0	FIBER WAS. D3*D8*0.5 RED
Q503.506.509.511.603.6 06.609.611.512.612	610-60301-006-0	SPR .WAS. D3*D5*1 NI
	H37-96000-003-0	ROADGEAR260 (C+D) L/R_AMP PCB A/I
R519.528.619.628	005-101A6-400-0	MOF. RES. 100 0.25W T
R512.518.612.618	006-10002-440-0	MF RES. 100 F 0.25W T
R503.504.511.514.515. 517.603.604.611.614.6 15.617	006-10012-440-0	MF RES. 1K F 0.25W T
R507.510.607.610	006-10022-440-0	MF RES. 10K F 0.25W T
R531.534.631.634	006-10072-440-0	MF RES 10 F 1/4W
	006-22012-440-0	MF RES 2K2 F 0.25W T
	006-30012-440-0	MF RES. 3K F 0.25W T
R523.524.623.624	006-30022-420-0	MF RES. 30K F 0.25W M
R505.506.605.606	006-39012-420-0	MF RES. 3K9 F 0.25W M
R501.601	006-49912-440-0	MF RES. 4K99 F 0.25W T
R508.509.608.609	006-68022-420-0	MF RES. 68K F 0.25W M
R502.602	006-75022-420-0	MF RES. 75K F 0.25W T
C509.609	030-10656-0A0-0	E/C 10MF M 50V 5*11 T
C510.515.610.615	030-47686-0A0-0	E/C 47MF M 100V 10*17 T
C501.601	032-10636-0A0-0	NP E/C 10MF M 25V 6.3*11 T
C502.602	042-10020-050-0	C/C2 10PF C 50V T
C503.508.603.608	042-10225-050-0	C/C2 0.001MF K 50V 5 T
C512.513.612.613	042-10345-160-6	C/C2 0.01UF K 100V T
C516.521.526.527.801.6 16.621.626.627.802	042-10446-050-0	C/C2 0.1MF M 100V 5 T
C511.514.611.614	042-47144-050-0	C/C2 470PF J 100V 5T
ZD503.504.603.604	090-01682-000-0	ZEN/DIODE 6.8V J0.5W UNIZO
ZD501.502.601.602	090-01752-010-0	ZEN/DIODE 7V5 K 0.5W FAIRCH
D501-503.506.601- 603.606	090-02000-020-0	DIODE 1N4148 T26MM MINI
Q501.601	120-00001-400-0	TRAN. 2N5551 MOTOROLA

Ref.	Phonic Part No.	Specifications
Q507.607	120-00009-700-0	TRAN. BC546B PHILIPS(BC550)
Q504.604	121-00000-300-0	TRAN. 2N5401 MOTOROLA
Q508.608	121-00007-500-0	TRAN. BC556B PHILIPS (BC560)
	290-37960-201-0	PCB RG260 AMP_L/R*2
	F37-96000-004-0	ROAD GEAR260 L/R_CROSS PCB M/I
R905	003-15087-601-0	CEMENT RES. 1.5 J 20W AL
R901	003-60087-601-0	CEMENT 6ohm 20W J AL
R903.904	003-80087-601-0	CEMENT RES. 8ohm 20W 5% AL
PTC901	011-00000-000-0	PTC RDL30V185
C904	050-10504-000-0	MM/C 1MF J 100V P
C902	050-22504-000-0	MM/C 2.2MF J 100V P
C903	050-47504-000-0	MM/C 4.7MF J 100V P
C901	050-56404-000-0	MM/C 0.56MF J 100V P
L903	072-20116-000-0	COIL 0.5mH
L904	072-20117-000-0	COIL 0.32mH
L901	072-20118-000-0	COIL 0.1mH
L902	072-20119-000-0	COIL 0.2mH
CN801	211-10024-110-0	2P WAFER/S A3963WV2-2P
CN802	211-10044-040-0	4P WAFER/S A3963WV2-4P
	290-37960-400-0	PCB RG260 E L/R_CROSS*2
	321-00000-020-0	CABEL TIE 140MM
	F37-96000-005-0	ROADGEAR260 DSP PCB M/I
J1	212-10200-050-0	20P WAFER/P 220MM
L1.2.3	382-00010-010-0	TINNER WIRE 10MM* ϕ 0.6
	C37-96000-005-0	ROADGEAR260 DSP PCB SMD
R5.33.36.37.41.43.46-48.52.59.J3	008-00002-600-0	CHIP RES. 0 J 0603
R30.32	008-01002-600-0	CHIP RES. 10J SMT 0603 PKG
R8.11	008-01012-600-0	CHIP RES. 100 J 0603
R2.19-22	008-01022-600-0	CHIP RES. 1K J 0603
R25.27.58.65.66	008-01032-600-0	CHIP RES. 10K J 0603
R31.35	008-01072-600-0	CHIP RES. 1 J 0603
R50	008-02012-600-0	CHIP RES. 200 J 0603
R51	008-03012-600-0	CHIP RES. 300 J 0603
R1.26.28	008-03312-600-0	CHIP RES. 330 J 0603
R29	008-03332-600-0	CHIP RES. 33K J 0603
R34	008-04702-600-0	CHIP RES. 47 J 0603
R9.10.14.15.16.17.67	008-04722-600-0	CHIP RES. 4.7K J 0603
R12.13	008-51002-400-0	CHIP RES. 510 F 0603

Ref.	Phonic Part No.	Specifications
C3.9.13.15.20.22.25.2 8.30	039-10426-230-0	CHIP C/C 0.1MF M 50V 0603
C7.12.14.16-19	039-10526-900-0	CHIP E/C 1MF M 50V 4*5.4
C35.39	039-10606-900-0	CHIP E/C 10MF M 16V 4*4.5
C10.11	039-22024-200-0	CHIP C/C 22PF J 50V 0603
C8.21.23.24.26.27.29.31	039-47646-900-0	CHIP E/C 47MF M 6.3V 4*5.4
D2	090-00039-000-0	DIODE BAV99 SMD
Q1.2	120-00011-100-0	TRAN. MMBTA14 SOT-23 SMD
U5	160-00027-200-0	IC LD1117S33TR SOT-223 ST SMD
U1	170-00007-000-0	TTL IC 74HC393 SMD
U10	171-00004-700-0	CMOS IC UDA1345TS SSOP28 SMD
U8	171-00004-800-0	CMOS IC 74HCT132 SO14 SMD
U2	177-01005-100-0	IC DRAM TMS57002 QFP TI SMD
U3	177-01005-200-0	CPU IC TSB87C54X2-MCB PLCC. V_B.SMD
U6.7	177-01005-300-0	IC DRAM HY534256ALJ SMD
	290-01660-400-0	PCB K12 DSP 73*63MM
XT1	300-12004-010-0	CRYSTAL 12.000MHz SMD

PHONIC
WWW.PHONIC.COM