

Sonic Stion 16

Inte grated Mobile Sound System

SERVICE MANUAL



Sonic Stion 16

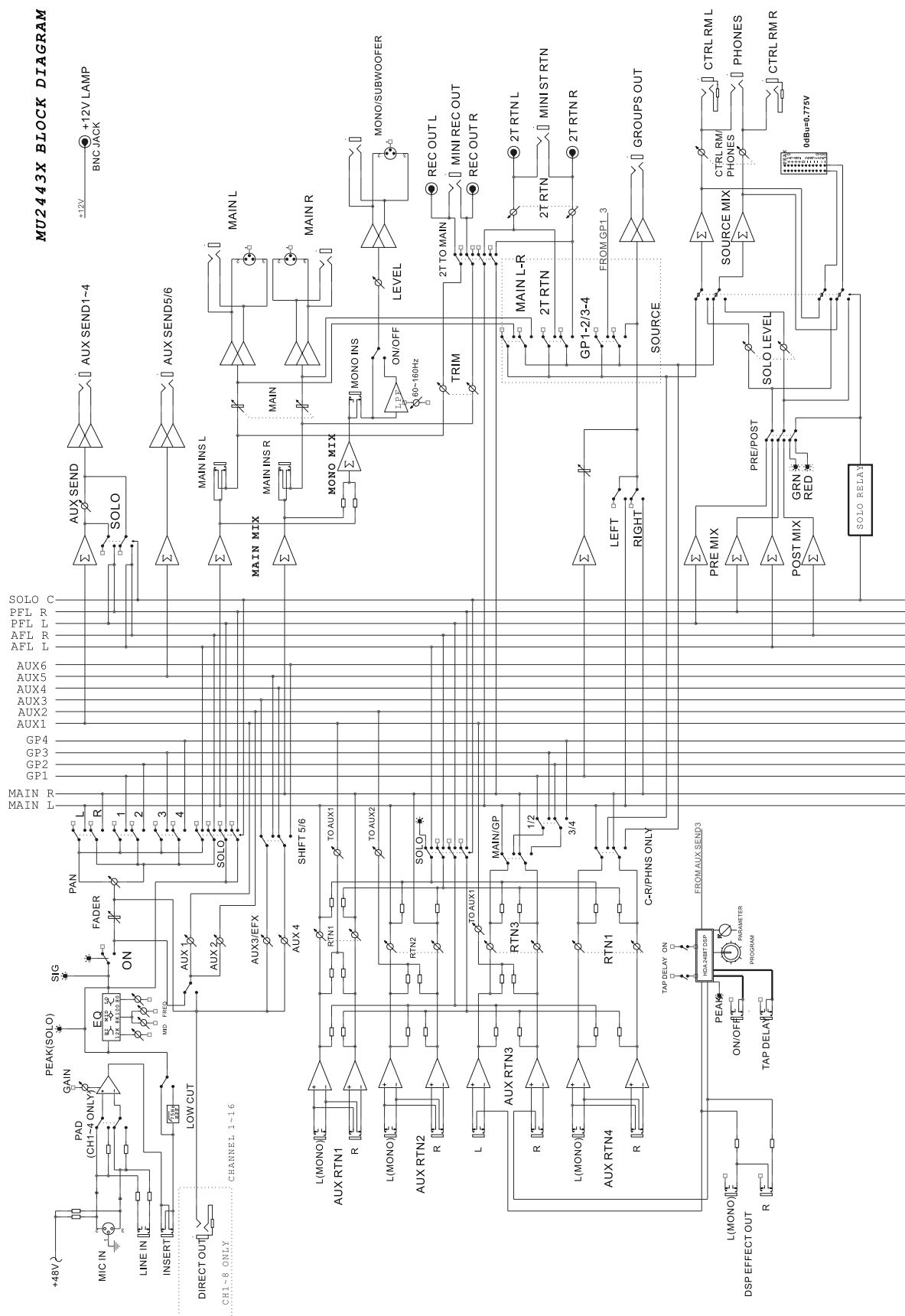
SERVICE MANUAL

CONTENTS

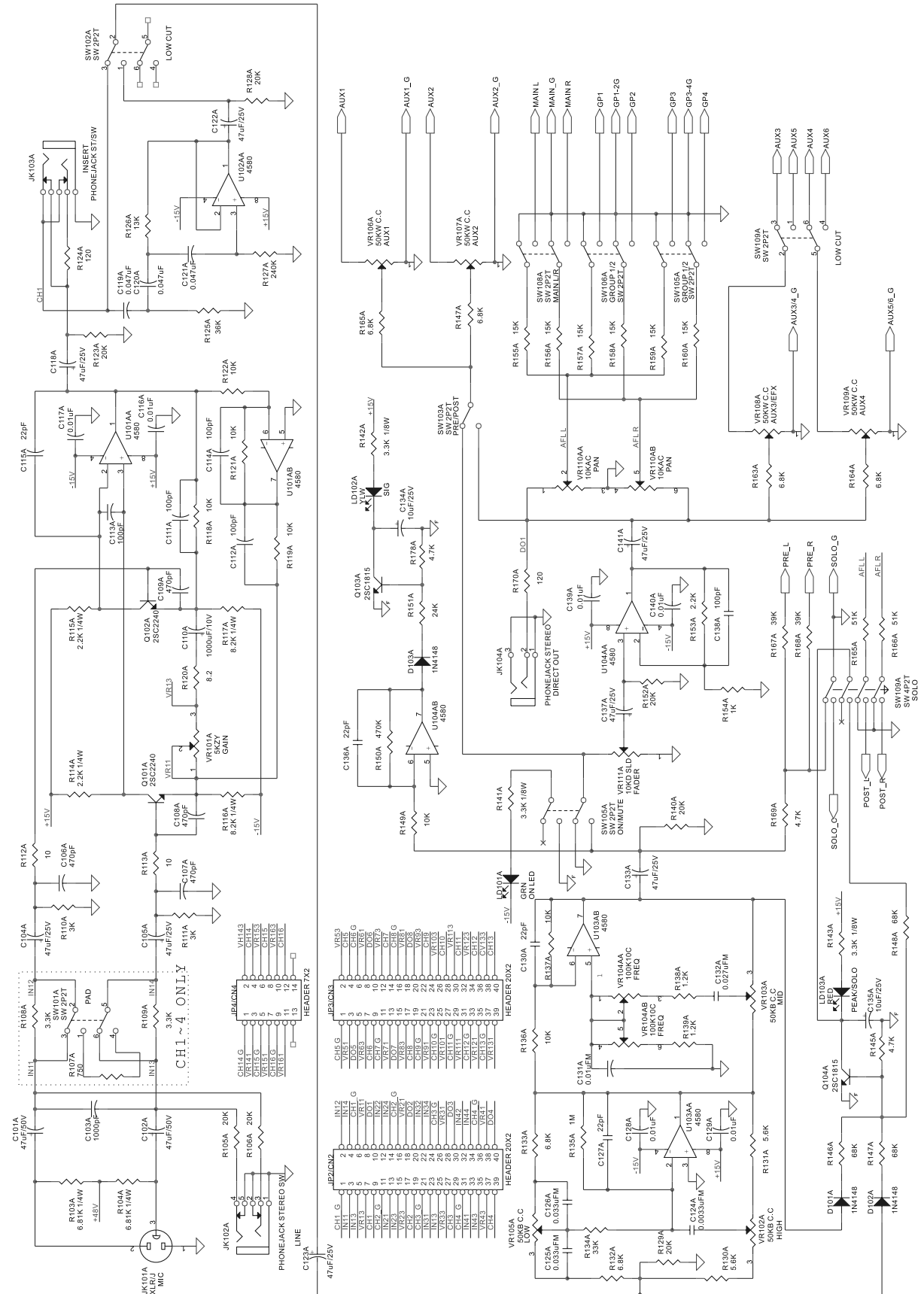
	PAGE
PANEL LAYOUT	3
BLOCK	4
CH 1_16	5
DSP	6
GROUP	7
MAIN & 2T	8
MITER & DSP CTRL	9
POWER.....	10
 BOM	
EFFECT PCB-PART LIST	11
POWER PCB-PART LIST.....	13
OUTPUT PCB-PART LIST	15
INPUT PCB-PART LIST	17
MASTER PCB-PART LIST	19
MISCELLANEOUS ITEMS.....	25
POWER REQUIREMENT CLASSIFICATION	28

BLOCK

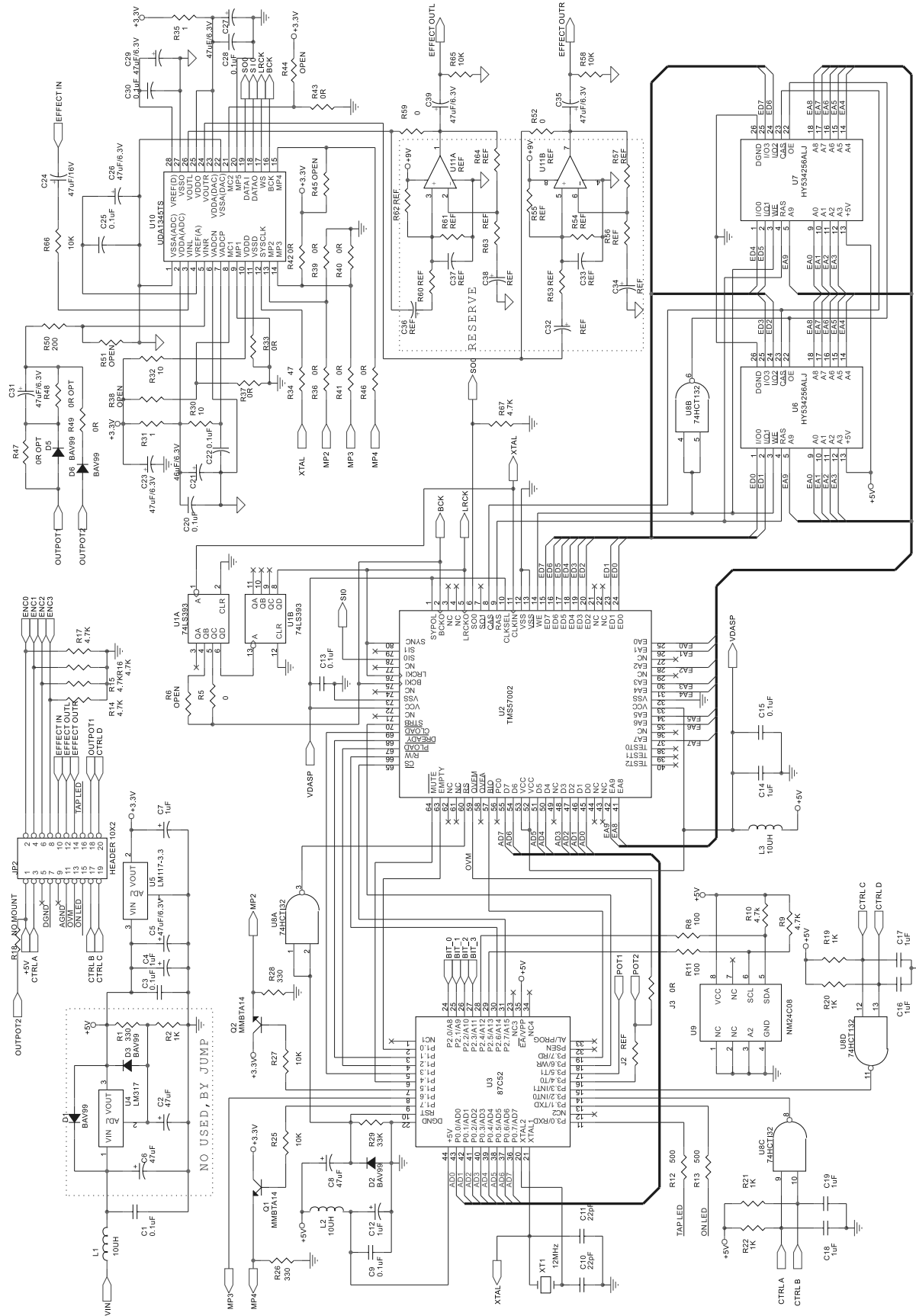
MU2443X BLOCK DIAGRAM



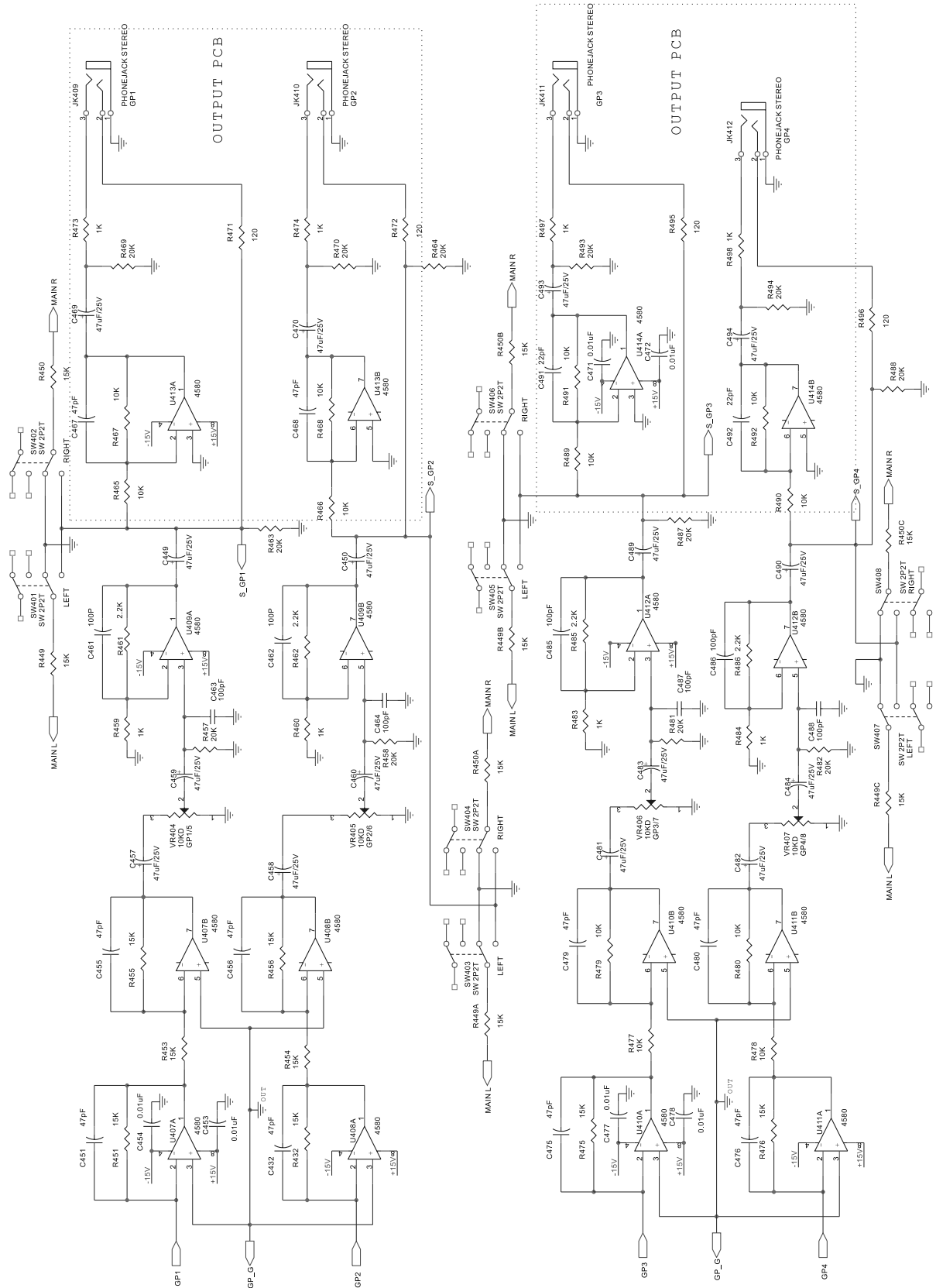
CH 1_16



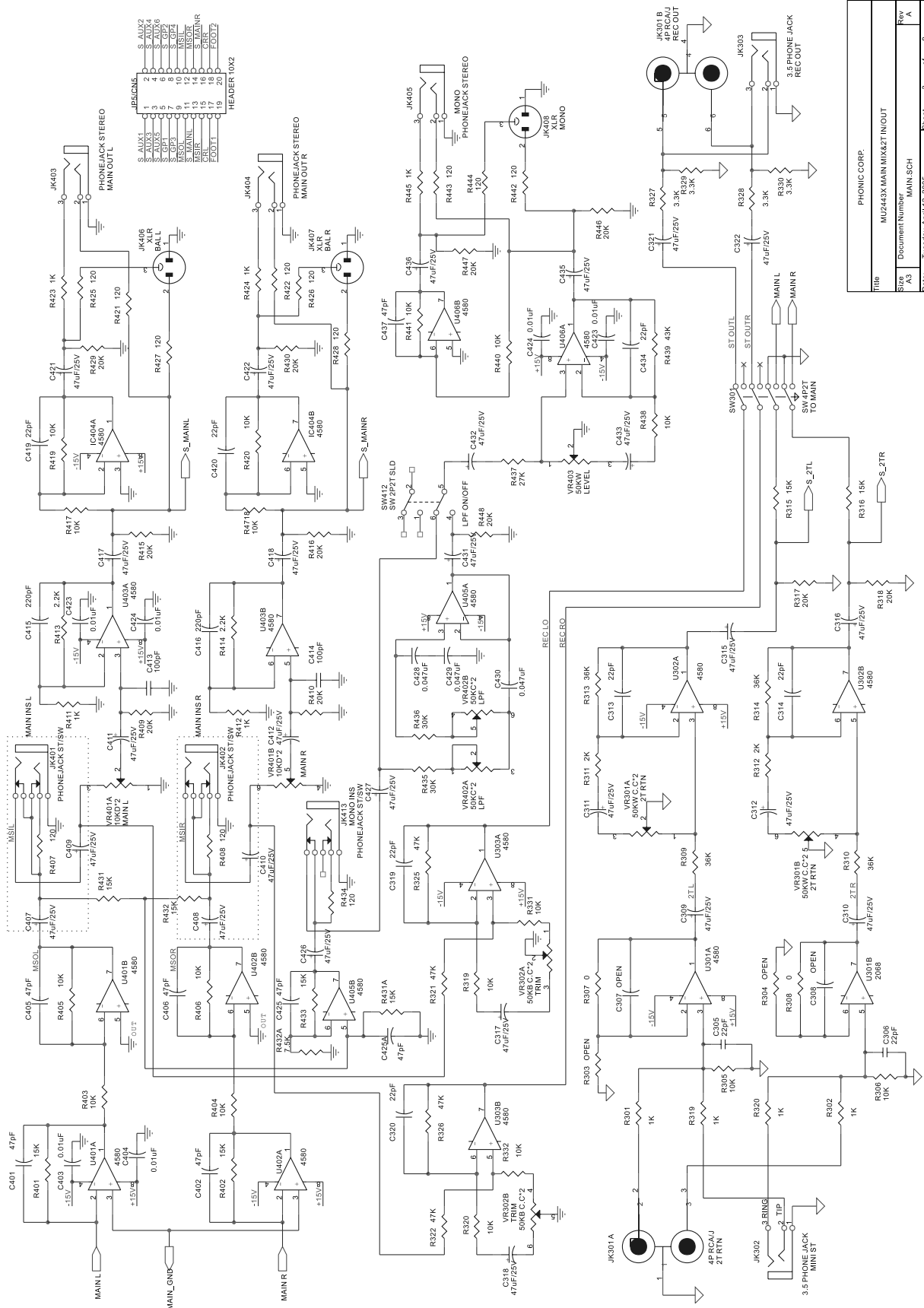
DSP



GROUP

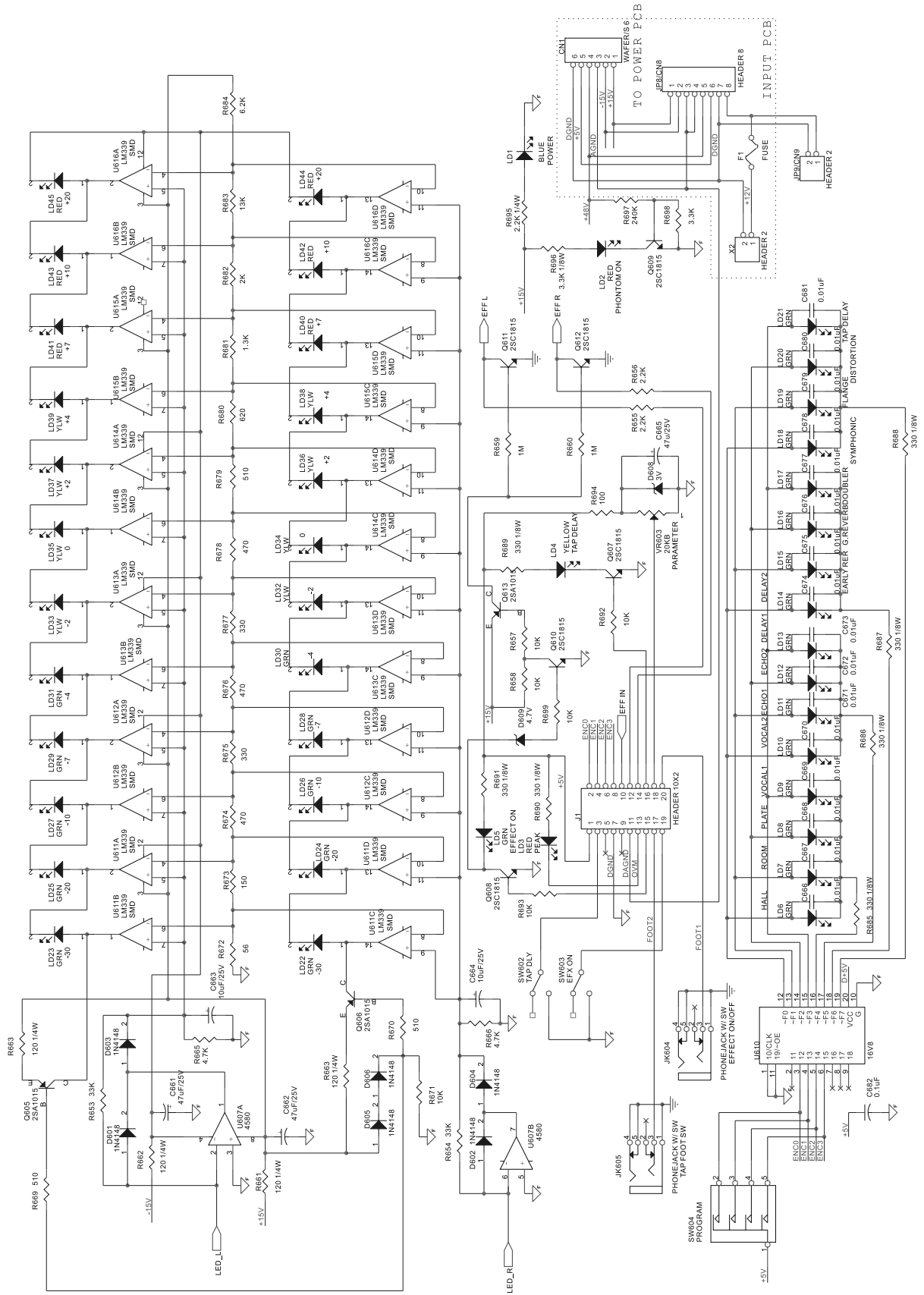


MAIN & 2T

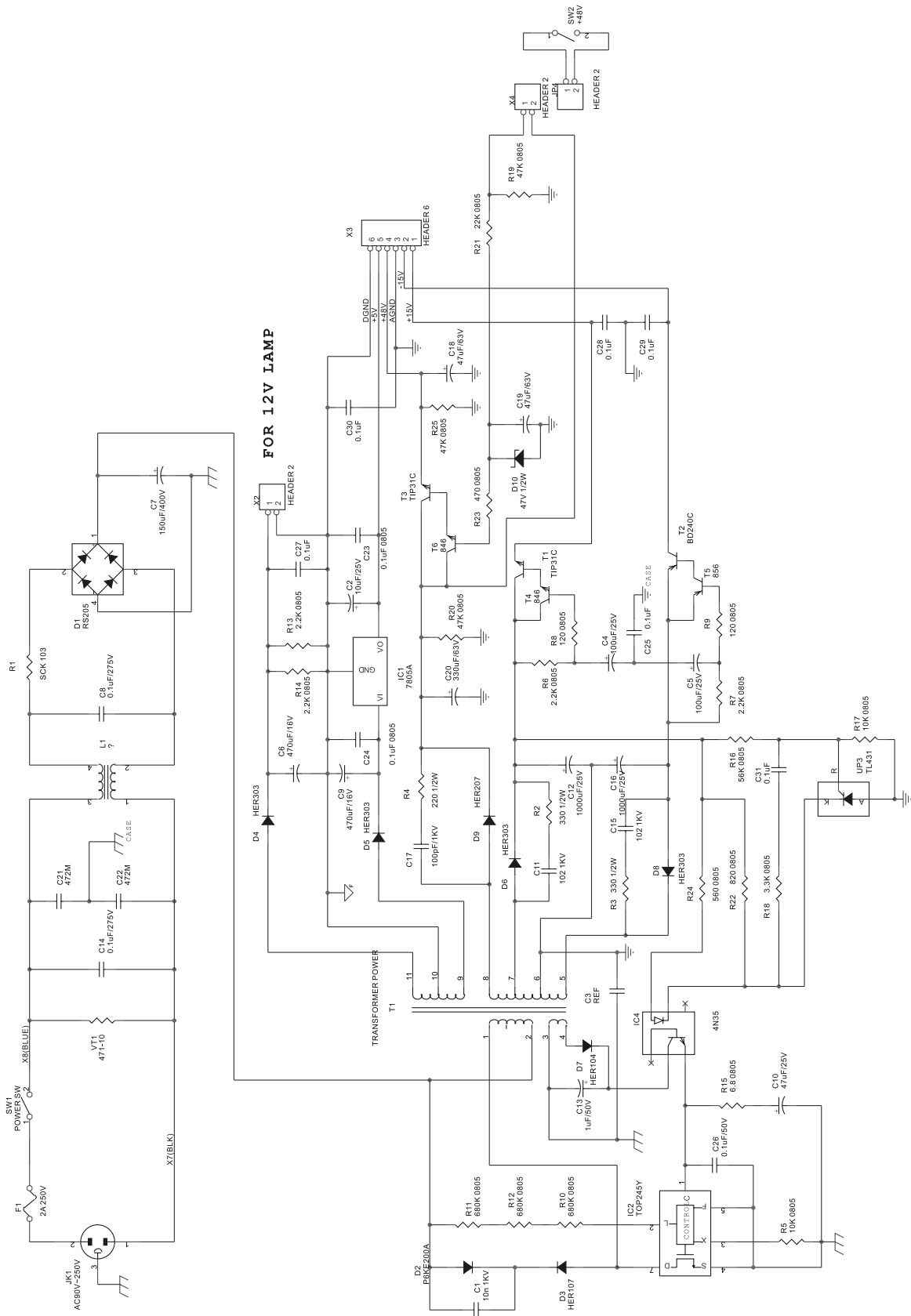


Title	PHONIC CORP.
Size	MU2443X MAIN MIX&2T IN/OUT
Doc Number	MAIN_SCH
Date	Tuesday, April 12, 2005
Sheet	3 of 9
Rev	A

MITER & DSP CTRL



POWER



EFFECT PCB-PART LIST

Ref.	Phonic Part No.	Specifications
R37	008-00002-600-0	CHIP RES. 0 J 0603
R29.30	008-01002-600-0	CHIP RES. 10J SMT 0603 PKG
R1.5.68.69	008-01012-600-0	CHIP RES. 100 J 0603
R57-60	008-01022-600-0	CHIP RES. 1K J 0603
R2.31-35.43.44.47-51.53-56.61.63	008-01032-600-0	CHIP RES. 10K J 0603
R25.26	008-02212-600-0	CHIP RES. 220 J 0603
R3	008-02222-600-0	CHIP RES. 2.2K J 0603
R7.27.28	008-02232-600-0	CHIP RES. 22K J 0603
R39-42.66.67	008-03302-600-0	CHIP RES. 33 J 0603
R4	008-04712-600-0	CHIP RES. 470J 0603
R64.65	008-04722-600-0	CHIP RES. 4.7K J 0603
R46	008-04772-600-0	CHIP RES. 4.7 J 0603
R23.24	008-05632-600-0	CHIP RES. 56K J 0603
R21.22	008-10022-400-0	CHIP RES. 10K F 0603
R9-12	008-22012-400-0	CHIP RES. 2.2K F 0603
R17-20	008-27012-400-0	CHIP RES. 2.7K F 0603
R13-16.	008-49912-400-0	CHIP RES. 4K99 F 0603
C17.18	039-10124-220-0	CHIP C/C 100PF J 50V 0603
C1.2.4.22-24.29.30.35-45.51.52.53-56.59.60	039-10405-220-0	CHIP C/C 0.1UF K 16V 0603
C27.28	039-20024-220-0	CHIP C/C 20P J 50V 0603
C49.50	039-22024-220-0	CHIP C/C 22PF J 50V 0603
C13.14.19.20.21	039-22606-900-0	CHIP E/C 22MF M 16V 4*5.4
C48	039-30024-220-0	CHIP C/C 30P J 50V 0603
C5.6	039-33224-220-0	CHIP C/C 0.0033MF J 50V 0603
C7-10	039-47124-220-0	CHIP C/C 470PF J 50V 0603
C3.25.26.31.46.47.57.58	039-47646-900-0	CHIP E/C 47MF M 6.3V 4*5.4
D1.2	090-02000-020-0	DIODE 1N4148 T26MM MINI
Q1.2	120-00006-200-0	TRN 2SC2878 TO-92-D REEL(TO)
Q4.5	120-00011-500-0	TRAN. BC846 SMD PHILIPS
Q3	121-00008-800-0	TRAN. BC856 SMD PHILIPS
U4	160-00004-120-0	IC L78L05ACZ DIP (ST/NS) 2K
U12	160-00022-400-0	IC ADM809
U1-3	160-00024-100-0	IC NJM4580M DMP (JRC) 2K SMD
U4	160-00027-200-0	IC LD1117S33TR SOT-223-M REEL (ST/NS)
U9	170-00007-500-0	TTL 74LVC573APW TSSOP-M(PH) SMD
U11	171-00002-400-0	TTL IC 74LVC245DB SSOP20 PHILIPS
U5	171-00004-500-0	MOS AK4524VF VSOP-M REEL (AKM)
U6	177-00003-300-0	MCU ADSP21605L MQFP-M(ADI)
U10	177-00003-600-0	IC SST39VF020-90-4C-NH PLCC SST SMD
U14	177-01002-320-0	MOM AT24C08AN SMD reel(ATM)

Ref.	Phonic Part No.	Specifications
U7.8	177-01005-010-0	IC DRAM W981616BH-7 TSOP WINBO
	290-60016-000-0	Sonic Station16 EFFECT PCB FR-4
Y2	300-11284-000-0	CRYSTAL 11.2896MHz 49S
Y1	300-30004-000-0	CRYSTAL 30MHz HC-49/S
Y1.2	610-00162-001-0	CRYSTAL OA-6

POWER PCB-PART LIST

Ref.	Phonic Part No.	Specifications
R4	000-22136-400-0	CF RES 220 1/2W
R2.3	000-33136-400-0	CF RES 330 J 0.5W T
R5.17	008-01030-600-0	CHIP RES. 10K J 0805
R8.9	008-01210-600-0	CHIP RES. 120 J 0805
R6.7.13.14	008-02220-600-0	CHIP RES. 2K2 J 0805
R21	008-02230-600-0	CHIP RES. 22K J 0805
R18	008-03320-600-0	CHIP RES. 3K3 J 0805
R23	008-04710-600-0	CHIP RES. 470 J 0805
R19.20.25	008-04730-600-0	CHIP RES. 47K J 0805
R24	008-05610-600-0	CHIP RES. 560 J 0805
R16	008-05630-600-0	CHIP RES. 56K J 0805
R10-12	008-06840-600-0	CHIP RES. 680K J 0805
R15	008-06870-600-0	CHIP RES. 6.8 J 0805
R22	008-08210-600-0	CHIP RES. 820 J 0805
VT1	011-10040-000-0	MITVR10471KS42-MCN
R1	012-10020-020-0	NTC SCK10103MS
C13	030-10556-0A0-0	E/C 1MF M 50V 5*11 T
C2	030-10638-0A0-0	E/C 10MF Z 25V 5*11 T
C4.5	030-10736-0A0-0	E/C 100MF M 25V 8*11 T
C12.16	030-10838-006-0	E/C 1000MF Z 25V 10*21
C7	030-157B6-000-0	E/C 150UF 400V M D25*32
C20	030-33778-000-0	E/C 330MF 80V Z OD13*H20
C10	030-47638-0A0-0	E/C 47MF Z 25V 5*11 T
C18.19	030-47658-001-0	E/C 47MF Z 50V 6*11 P
C6.9	030-47726-000-0	E/C 470MF M 16V 8*16 P
	035-10556-0A0-0	MINI E/C 1MF M 50V T
C23-31	039-10425-000-0	CHIP C/C 0.1MF K 50V 0805
C17	042-10196-000-0	C/C2 100PF M 1KV 5
C11.15	042-10296-000-0	C/C2 0.001UF 1KV
C1	042-10396-000-0	C/C2 0.01UF 1KV P10
C8.14	058-10485-000-0	LINE/C 0.1UF 275V L18*H12*W6
C21.22	058-47236-001-0	LINE/C 0.0047MF M 400V
TR1	070-60008-303-0	HF X'MER MU1722X/1822X
L1	072-20139-000-0	CHOKER COIL TF5116
D9	090-00018-010-0	DIODE HER207
D2	090-00018-020-0	DIODE P6KE200A
D3.7	090-00026-000-0	DIODE HER107 (1A/800V)
D4.5.6.8	090-00033-000-0	DIODE HER303 MU1722/1822X
D10	090-01243-000-0	ZEN/DIODE 24V J 0.5W
D1	090-10011-010-0	B/DIODE RS205
T1.3	120-00008-100-0	TRN TIP41 TO-220-D(ST) DIP

Ref.	Phonic Part No.	Specifications
T4.6	120-00011-500-0	TRAN. BC846 SMD PHILIPS
T2	121-00005-800-0	TRAN. TIP42 SGS
T5	121-00008-800-0	TRAN. BC856 SMD PHILIPS
IC1	160-00004-114-0	IC 7805 DIP(ST) 400
IC4	160-00010-501-0	IC 4N35 LI
IC3	160-00025-500-0	IC NJM431L TO-92 JRC
IC2	160-00026-501-0	IC TOP245Y TO-220 PH
SW2	210-03101-050-0	SSA/SW R612KKAT0F
SW1	210-03204-000-6	POWER/SW 6A 250V 4P 17*12.5
X4	211-10020-000-0	2P WAFER/S 2.0MM
X2	211-10021-161-0	2P WAFER/S TJC3-2A P=2.5MM
JK1	211-12300-040-0	AC/S 0717-1-PS
X4 TO +48V SW	212-10021-100-0	2P WAFER/P 300MM UL1007#24 P2.0 TIP5
X1	212-10060-060-0	6P UL1007#24 120MM PH2.0
	290-61722-200-0	MU1722X/1822X POWER PCB 60*108 FR4
IC1.T1.2	313-00000-060-0	RUBBER WASHER TO-2203
IC2	313-00010-130-0	L16*W11.4*T5.8 SRT-111758
IC1.T1.2	314-00000-050-0	BUSHES 602S(V.0)
POWER SW TO PCB X7	379-04171-101-0	WIRE UL1007#20 170MM BLK
POWER SW TO PCB X8	379-04171-121-0	WIRE. UL1007#20 170mm RED
AC/S TO POWER SW.	379-08080-101-0	M.WIRE UL1015#22 80MM BLK
AC/S TO POWER SW	379-08101-123-0	M.WIRE UL1015 #22 100MM RED
AC/S	380-20037-000-0	WIRE W/LUG 230MM GRN+YLW
	526-60096-010-0	HEAT SINK MU2443X
POWER PCB&HEAT SINK*4	590-43006-100-0	M/E PAN SCR. M3.0*6 NI
FOR IC TRAN&HEAT SINK*3	590-43010-100-0	M/E PAN SCR. M3.0*10 NI
FOR IC TRAN*3	600-00302-010-0	HEX. NUT M3.0*2.0 NI
IC1.T1.2	610-00300-501-0	PLA. WAS. D3.0*D7.0*0.5 NI
IC1.T1.2	610-60300-700-0	PAN SPR WAS. D3.0*6.0*0.7ZN
IC2	611-60005-000-0	TRMC-1
	630-60067-450-0	PVC

OUTPUT PCB-PART LIST

Ref.	Phonic Part No.	Specifications
R307.308	008-00002-600-0	CHIP RES. 0 J 0603
R301.302.319.320.349.350.423.424.445.473.474.497.498.522.524.563.564.593.594	008-01022-600-0	CHIP RES. 1K J 0603
R305.306.323.324.331.332.345.346.417-420.438.440.441.465-468.489-492.513-516.553	008-01032-600-0	CHIP RES. 10K J 0603
R554-556.583-586.301A-301D.302A-302D.303A-303D.304A-304D.305A-305D.306A-306D.	008-01032-600-1	
R307A-307D.308A-308D	008-01032-600-2	
R351.352.407.408.421.422.425-428.434.442-444.471.472.495.496.521.523.561.562.591	008-01212-600-0	CHIP RES. 120 J 0603
R592.627-630	008-01212-600-1	
R431-433.431A	008-01532-600-0	CHIP RES. 15K J 0603
R341.342.429.430.446.447.7.448.448A.469.470.493.494.517.518.557.558.587-590	008-02032-600-0	CHIP RES. 20K J 0603
R347.348	008-02222-600-0	CHIP RES. 2.2K J 0603
R437.432A	008-02732-600-0	CHIP RES. 27K J 0603
R435.436	008-03032-600-0	CHIP RES 30K SMT J 0603 PKG
R327-330	008-03322-600-0	CHIP RES. 3.3K J 0603
R343.344	008-03932-600-0	CHIP RES. 39K J 0603
R439	008-04332-600-0	CHIP RES. 43KJ 0603
R321.322.325.326	008-04732-600-0	CHIP RES. 47K J 0603
VR403	022-50350-060-0	S.ROT/VR 50KW(C.C)30MM P
VR402	023-50350-001-0	D.ROT/VR 50KB(C.C) 30MM P
VR302	023-50350-050-0	D.ROT/VR 50KW(C.C) 30MM P
C309.310.317.318.321.322.347.348.409.410.421.422.426.427.431-433.435.436.469.470	030-47638-0A0-0	E/C 47MF Z 25V 5*11 T (-40~ +85)
C493.494.517.518.557.558.8.583.584.587.588.309A-309D.310A-310D	030-47638-0A0-1	
C305.306.341.342.301A-301D.302A-302D.303A-303D.304A-304D	039-10124-220-0	CHIP C/C 100PF J 50V 0603
C345.346	039-10224-220-0	CHIP C/C 0.001MF J 50V 0603

Ref.	Phonic Part No.	Specifications
C423.424.471.472.519.52 0.317A.317C.318A.318C	039-10325-220-0	CHIP 0.01UF 50V K 0603 X7R
C434.305A-305D.306A- 306D.307A-307D.308A- 308D	039-22024-220-0	CHIP C/C 22PF J 50V 0603
C343.344	039-33124-220-0	CHIP C/C 330PF J 50V 0603
C319.320.419.420.425.43 7.467.468.491.492.515.51 6.555.556.585.586.425A	039-47024-220-0	CHIP C/C 47PF J 50V 0603
C428-430	039-47324-220-0	CHIP C/C 0.047MF J 50V 0603
U301.303.304.404- 406.413.414.508- 510.301A-301D	160-00024-100-0	IC NJM4580M DMP (JRC) 2K SMD
SW412	210-01202-130-0	SLD/SW 2P2T 180 H=27
JK301	211-00041-100-0	4P RCA/J RL-1414-4D
JK302.303	211-01302-100-0	3D5/J EJ 3536B
JK305.306.401- 405.409-413.501-	211-01602-380-6	6.35 PHONIE JACK H23.5
JK406-408	211-03300-180-0	XLR/J 94M-008P
JP5	212-10200-100-0	20P WAFER/P 650MM
JP6	212-10240-050-0	24P WAFER/P 170MM
	290-62443-300-0	MU2443X OUTPUT PCB

INPUT PCB-PART LIST

Ref.	Phonic Part No.	Specifications
R114A- 114N.114P.114Q.115A- 115N.115P.115Q	006-22012-440-0	MF RES 2K2 F 0.25W T
R103A- 103N.103P.103Q.104A- 104N.104P.104Q	006-68112-440-6	MF RES. 6K81 0.25W 1% T
R116A- 116N.116P.116Q.117A- 117N.117P.117Q	006-82012-440-0	MF RES. 8K2 F 0.25W T
R112A- 112N.112P.112Q.113A- 113N.113P.113Q	008-01002-600-0	CHIP RES. 10J SMT 0603 PKG
R118A- 118N.118P.118Q.119A- 119N.119P.119Q.121A- 121N.121P.121Q.122A.122N.122P.122Q	008-01032-600-0	CHIP RES. 10K J 0603
R124A- 124N.124P.124Q.170A- 170H	008-01212-600-0	CHIP RES. 120 J 0603
R105A- 105N.105P.105Q.106A- 106N.106P.106Q.123A- 123N.123P.123Q	008-02032-600-0	CHIP RES. 20K J 0603
R110A- 110N.110P.110Q.111A- 111N.111P.111Q	008-03322-600-0	CHIP RES. 3.3K J 0603
R120A-120N.120P.120Q	008-08272-600-0	CHIP RES. 8.2 J 0603
C110A-110N.110P.110Q	030-10818-000-0	E/C 1000MF Z 10V D8*14
C104A- 104N.104P.104Q.105A- 105N.105P.105Q.118A- 118N.118P.118Q	030-47638-0A0-0	E/C 47MF Z 25V 5*11 T
C101A- 101N.101P.101Q.102A- 102N.102P.102Q	030-47658-001-0	E/C 47MF Z 50V 6*11 P
C111A- 111N.111P.111Q.112A- 112N.112P.112Q.113A- 113N.113P.113Q.114A.114N.114P.114Q	039-10124-220-0	CHIP C/C 100PF J 50V 0603
C103A-103N.103P.103Q	039-10224-220-0	CHIP C/C 0.001MF J 50V 0603
C116A- 116N.116P.116Q.117A- 117N.117P.117Q	039-10325-220-0	CHIP 0.01UF 50V K 0603 X7R
C115A-115N.115P.115Q	039-22024-220-0	CHIP C/C 22PF J 50V 0603
Q101A- 101N.101P.101Q.102A- 102N.102P.102Q	120-00001-010-0	TRN 2SC2240 TO-92-D REEL(TO)
U101A-101N.101P.101Q	160-00024-100-0	IC NJM4580M DMP (JRC) 2K SMD

Ref.	Phonic Part No.	Specifications
JK102A- 102N.102P.102Q.103A- 103N.103P.103Q.104A- 104H	211-01602-380-6	6.35 PHONIE JACK H23.5
JK101A-101N.101P.101Q	211-03300-160-0	XLR/J SKCA229-1K3F2
CN1	211-10060-090-0	6P WAFER/S PITCH2.0MM
X2	212-10021-040-6	2P WAFER/P 80MM UL1007#24 P=2.5MM
JP8	212-10081-010-0	8P W/P UL1007#24 P2.54 220MM
JP2.3	212-10400-030-0	40P WAFER/P 120MM
JP4	212-11214-000-0	IC/P 7*2P P2.54 120MM UL2651#28
F1*2	281-00000-020-0	FUSE CLIP FH-1206
	290-62443-200-0	MU2443X INPUT PCB

MASTER PCB-PART LIST

Ref.	Phonic Part No.	Specifications
R635-638	000-10126-400-0	CF RES. 100 J 0.25W T
R661-664	000-12126-400-0	CF RES. 120 J 0.25W T
R600	000-22206-400-0	CF RES. 2K2 J 1/8W T
R685-691	000-33106-400-0	CF RES. 330 J 1/8W T
R141A- 141N.141P.141Q.142A- 142N.142P.142Q.143A-14 3N.143P.143Q.595.695.69 6.324C	000-33206-400-0	CF RES. 3K3 J 1/8W T
R639.640	000-47026-400-0	CF RES. 47 J 0.25W T
	008-00002-600-0	CHIP RES. 0 J 0603
R154A-154N.154P.154Q.4 11.412.459.460.483.484	008-01022-600-0	CHIP RES. 1K J 0603
R136A- 136N.136P.136Q.137A- 137N.137P.137Q.149A-149 N.149P.149Q.503.504.509 .510.543	008-01032-600-0	CHIP RES. 10K J 0603
R544.549.550.641.642.65 1.652.671.692.693.323C. 690A	008-01032-600-1	
R650	008-01042-600-0	CHIP RES. 100K J 0603
R135A-135N.135P.135Q	008-01052-600-0	CHIP RES. 1M J 0603
R138A- 138N.138P.138Q.139A- 139N.139P.139Q	008-01222-600-0	CHIP RES. 1.2K J 0603
R681	008-01322-600-0	CHIP RES. 1.3K J 0603
R126A-	008-01332-600-0	CHIP RES. 13K J 0603
R673	008-01512-600-0	CHIP RES. 150 J 0603
R155A- 155N.155P.155Q.156A- 156N.156P.156Q.158A- 158N.158P.158Q.159A.159N.159P.159Q	008-01532-600-0	CHIP RES. 15K J 0603
R160A-160N.160P. 160Q.315.316.401- 406.449-456.475-	008-01532-600-1	
R316A-316D.449A- 449C.450A-450C.157A- 157N.157P.157Q.613.614. 621.622	008-01532-600-2	
R501.502.541.542	008-01832-600-0	CHIP RES. 18K J 0603
R311.312.648.649.653.682 .311A-311D.312A-312D	008-02022-600-0	CHIP RES. 2K J 0603

Ref.	Phonic Part No.	Specifications
R317.318.333-340.409.410 .415.416.457.458.463.464. 481.482.487.488.505.506. 519.520	008-02032-600-1	
R647	008-02042-600-0	CHIP RES. 200K J 0603
R153A-153N.153P.153Q.4 13.414.461.462.485.486	008-02222-600-0	CHIP RES. 2.2K J 0603
R151A-151N.151P.151Q	008-02432-600-0	CHIP RES. 24K J 0603
R127A- 127N.127P.127Q.697	008-02442-600-0	CHIP RES. 240K J 0603
R507.508.547.548.643-646	008-02732-600-0	CHIP RES. 27K J 0603
R675.677	008-03312-600-0	CHIP RES. 330 J 0603
R108A-108D.109A-109D	008-03322-600-0	CHIP RES. 3.3K J 0603
R134A- 134N.134P.134Q.667.668	008-03332-600-0	CHIP RES. 33K J 0603
R698	008-03622-600-0	CHIP RES. 3.6K J 0603
R125A-125N.125P.125Q.3 09.310.313.314.581.582.30 9A-309D.310A-310D.313A- 313D.	008-03632-600-0	CHIP RES. 36K J 0603
R314A-314D	008-03632-600-1	
R167A- 167N.167P.167Q.168A- 168N.168P.168Q.529- 536.569-576	008-03932-600-0	CHIP RES. 39K J 0603
R511.512.551.552	008-04332-600-0	CHIP RES. 43KJ 0603
R674.676.678	008-04712-600-0	CHIP RES. 470J 0603
R144A- 144N.144P.144Q.145A- 145N.145P.145Q.169A- 169N.169P.169Q.525.528.565.568.631	008-04722-600-0	CHIP RES. 4.7K J 0603
R632-634.665-666	008-04722-600-1	
R150A-150N.150P.150Q	008-04742-600-0	CHIP RES. 470K J 0603
R669.670.679	008-05112-600-0	CHIP RES. 510 J 0603
R165A- 165N.165P.165Q.166A- 166N.166P.166Q.317A- 317D.318A-318D.601-604	008-05132-600-0	CHIP RES. 51K J 0603
R672	008-05602-600-0	CHIP RES. 56 J 0603
R130A- 130N.130P.130Q.131A- 131N.131P.131Q	008-05622-600-0	CHIP RES. 5.6K J 0603
R680	008-06212-600-0	CHIP RES. 620 J 0603
R684	008-06222-600-0	CHIP RES. 6.2K J 0603

Ref.	Phonic Part No.	Specifications
R132A- 132N.132P.132Q.133A- 133N.133P.133Q.161A- 161N.161P.161Q.162A.162N.162P.162Q	008-06822-600-0	CHIP RES. 6K8 J 0603
R163A- 163N.163P.163Q.164A- 164N.164P.164Q	008-06822-600-1	
R146A- 146N.146P.146Q.147A- 147N.147P.147Q.148A- 148N.148P.148Q	008-06832-600-0	CHIP RES. 68K J 0603
R107A-107D	008-07512-600-0	CHIP RES. 750J 0603
R325C.326C	008-08222-600-0	CHIP RES. 8.2K J 0603
VR603	022-20350-010-0	S.ROT/VR 20KB 30MM P
VR101A-101N.101P.101Q	022-50290-003-0	S.ROT/VR 5KZY L=30MM RD09F1130001-5KZ
VR102A- 102N.102P.102Q.103A- 103N.103P.103Q.105A- 105N.105P.105Q	022-50350-050-0	S.ROT/VR 50KB(C.C) 30MM P
VR106A- 106N.106P.106Q.107A- 107N.107P.107Q.108A- 108N.108P.108Q.109A.109N.501-504	022-50350-060-0	S.ROT/VR 50KW(C.C)30MM P
VR109P.109Q.302A-302C	022-50350-060-1	
VR110A-110N.110P.110Q	023-10350-020-0	D.ROT/VR 10KA/10KC 30MM P
VR104A-104N.104P.104Q	023-10450-000-0	D.ROT/VR 100KRD(C.C)*2 30MM P
VR301.301A-301D.601.602	023-50350-050-0	D.ROT/VR 50KW(C.C) 30MM P
VR111A- 111N.111P.111Q.404-407	026-10326-040-0	S.SLD/VR 10KD 60MM
VR401	027-10326-020-0	D.SLD/VR 10KD*2 60MMP
C134A- 134N.134P.134Q.135A- 135N.135P.135Q.663.664	030-10638-0A0-0	E/C 10MF Z 25V 5*11 T
C632	030-22558-0A0-0	E/C 2.2MF Z 50V 5*11 T
C122A- 122N.122P.122Q.123A- 123N.123P.123Q.133A- 133N.133P.133Q.137A.137N.137P.137Q	030-47638-0A0-0	E/C 47MF Z 25V 5*11 T
C141A-141N.141P.141Q .311.312.315.316.407.40 8.411.412.417.418.457- 460.465.466.	030-47638-0A0-1	
C481-484.489.490.507- 510.513.514.547- 550.553.554.605-610.617- 620.627.628.661.662	030-47638-0A0-2	

Ref.	Phonic Part No.	Specifications
C311A-311D.312A-312D.315A-315D.316A-316D	030-47638-0A0-3	
C138A-138N.138P.138Q.413-416.461-464.485-488.623-626	039-10124-220-0	CHIP C/C 100PF J 50V 0603
C128A.128C.128E.128G.128I.128K.128M.128P.140A-140N.140P.140Q.403.404.453.454.477	039-10325-220-0	CHIP 0.01UF 50V K 0603 X7R
C478.503.504.543.544.611.612.629.630.666-681.319A.319C.320A.320C.139A-139N.139P	039-10325-220-1	
C129A.129C.129E.129G.129I.129K.129M.129P.139Q	039-10325-220-2	
C631.682	039-10426-230-0	CHIP C/C 0.1MF M 50V 0603
C127A-127N.127P.127Q.130A-130N.130P.130Q.136A-136N.136P.136Q.313.314.511.512.551	039-22024-220-0	CHIP C/C 22PF J 50V 0603
C552.581.582.601-	039-22024-220-1	
C401.402.405.406.451.452.455.456.475.476.479.480.501.502.505.506.541.542.545.546	039-47024-220-0	CHIP C/C 47PF J 50V 0603
C615.616	039-47024-220-1	
C119A-119N.119P.119Q.120A-120N.120P.120Q.121A-121N.121P.121Q	039-47324-220-0	CHIP C/C 0.047MF J 50V 0603
C131A-131N.131P.131Q	046-10304-060-0	M/C 0.01MF J 50V 5 T
C132A-132N.132P.132Q	046-27304-060-6	M/C 0.027UF J 50V T 5
C124A-124N.124P.124Q	046-33204-060-0	M/C 0.0033MF J 50V 5 T
C125A-125N.125P.125Q.126A-126N.126P.126Q	046-33304-060-0	M/C 0.033MF J 50V 5 T
D103A-103N.103P.103Q	090-02000-010-0	DIODE 1N4148 SMD
D101A-101N.101P.101Q.102A-102N.102P.102Q.601-607	090-02000-020-0	DIODE 1N4148 T26MM MINI
LD103A-103N.103P.103Q.2.3.38-45	100-00010-030-0	LED BL-B5141 RED
LD4.102A-102N.102P.102Q.32-37	100-00040-000-0	LED BL-B3141 YLW

Ref.	Phonic Part No.	Specifications
LD101A- 101N.101P.101Q.5- 31.301.501	100-00050-000-0	LED BL-B2141 GRN
LD601	100-00060-000-6	LED D=3MM RED/GRN
LD1	100-00070-030-0	LED 204UBD D3 BLUE
Q103A- 103N.103P.103Q.104A- 104N.104P.104Q.607- 609.614	120-00000-800-0	TRN 2SC1815 GR TO-92-D REEL(TO)
Q301.501.605.606	121-00000-200-0	TRP 2SA1015GR TO-92-D REEL(TO)
Q601-604	122-00000-010-6	TRF 2SJ112 TO-92-D REEL (FA)
U611-616	160-00006-210-0	IC LM339 SOP-M REEL (ST/NS)
U608.609	160-00018-000-0	IC NJM4556AL JRC
U102A.102C.102E.102G .102I.102K.102M.102P.3 02.401-403.407-412.501- 507.601-607.	160-00024-100-0	IC NJM4580M DMP (JRC) 2K SMD
U103A- 103N.103P.103Q.104A- 104N.104P.104Q.302A- 302D	160-00024-100-1	
U610	177-02000-301-0	GAL IC 16V8D-15 LP LATTICE
SW101A-101D.102A- 102N.102P.102Q.103A- 103N.103P.103Q.104A- 104N.104P.104Q.	210-02201-440-0	PSH/SW 2P2T SFPC12MC03-PF
SW105A- 105N.105P.105Q.106A- 106N.106P.106Q.107A- 107N.107P.107Q.108A-108N.	210-02201-440-1	
SW108P.108Q.303- 306.401-411.501-504	210-02201-440-2	
SW602.603	210-02202-080-0	PUSH SW UNLOCK MR4283
SW109A-109N.109P.109Q. 301.302.601	210-02402-050-0	P/SW SFPE14MD01-PJ
SW604	210-16000-000-0	ENCODER SDB161PVB20F-1-4-16PC
JK603	211-01602-610-0	6D3/J
FOR DSP PCB J1	211-06204-011-0	PIN/C P=11MM
CN4	211-09142-000-0	14P B.E./S
CN5	211-09202-000-0	20P B.E./S
J1	211-09202-010-0	20P B.E./S PH=2.54MM
CN6	211-09242-000-0	24P B.E./S
CN2.3	211-09402-000-0	40P B.E./S 2.54MM
CN9	211-10021-161-0	2P WAFER/S TJC3-2A P=2.5MM

Ref.	Phonic Part No.	Specifications
CN7	211-10031-171-0	3P WAFER/S TJC3-3A PH=2.5MM
CN8	211-10081-140-0	8P WAFER/S A2501WV2-8P
U610	211-11202-002-0	IC/S 20P 9.8*25MM
JP7	212-10032-470-0	3P WAFER/P 45MM
	290-62443-101-0	Sonic Station16 MASTER PCB
GND1-GND2	379-05321-101-0	M.WIRE UL1007#18 320MM BLK
ALL LED	615-60004-620-0	LED BOSS L=13 LEDS=13

MISCELLANEOUS ITEMS

Ref.	Phonic Part No.	Specifications
	000-00116-003-0	#3 100*70MM
BNC/J GND	042-10425-050-0	C/C2 0.1MF K 50V 5 T
	211-04000-010-0	BNC/J SVP-516D
BNC/J TO CN9	212-10023-030-0	2P WAFER/P 110MM (PITCH=2.5MM.TIP5MM)
MAIN FUSE	280-20263-000-0	FUSE T2A 250V VDE S
F1	280-50165-000-0	FUSE T500MA 250V SMK S
GND	315-00003-000-6	GND LUG D=3.2MM
BNC/J	315-00011-000-0	GND-6 ID9.7*OD13
	321-00000-070-0	CABLE TIE HW-100MM
	379-12741-101-0	M.WIRE UL1015#14 740MM GRN
	510-62200-000-0	FRONT PANEL Sonic Station 16
	510-62200-000-F	FRONT PANEL Sonic Station 16 MATERIAL
	510-62300-000-0	REAR PANEL Sonic Station 16
	510-62300-000-F	REAR PANEL Sonic Station 16 MATERIAL
	517-61060-000-0	FRONT BOT. COV. Sonic Station 16
	517-61060-000-F	FRONT BOT. COV. Sonic Station16 MATE- RIAL
	517-61070-000-0	REAR BOT. COV. Sonic Station 16
	517-61070-000-F	REAR BOT. COV. Sonic Station 16 MATE- RIAL
	518-60280-000-0	HEAT SINK COVER Sonic Station 16
	518-60290-000-0	COVER PANEL Sonic Station 16
	518-60310-000-0	125*58mm
	518-60320-000-0	125*62+125*66.9mm
	518-60330-000-0	146*86+146*34mm
	524-60009-020-0	HANDLE SIZE:10*50 COLOR:WHT
	525-60010-000-0	FEET SIZE:20*20*8.0MM SF-006
PROGRAM*1	540-20460-221-0	R/KNOB 12 12.25*18 GREY BODY
CTRL RM*1,PHONES/ SOLO*1	540-60300-121-0	R/KNOB 12GREY BODY+RED CAP
AUX1.2*32,EFX3* 16,POST4*16,AUX SEND1.2.3.4*4,TO AUX SEND12*3,PARAMETER*1	540-60300-221-0	R/KNOB 12 GREY BODY+BLUE CAP
GAIN*16,2TRTN*1,RTN1- 4*4	540-60300-321-0	R/KNOB 12 GREY BODY+WHT CAP
HIGH12K*16,MID*16,FRE Q*16,LOW80*16, PAN*16	540-60300-421-0	R/KNOB 12 GREY BODY
OUT VR*3	540-60310-020-0	R/KNOB 15 BLK
CHANNEL1~16	541-60005-020-0	S/KNOB SIZE 23*9.5 WHITE BODY+BLK POINT
GROUP1-4*4	541-60005-220-0	S/KNOB 432C BODY+WHT POINT SIZE: 23*9.5

Ref.	Phonic Part No.	Specifications
MAIN L/R	541-60005-720-0	S/KNOB RED BODY+WHT POINT
ALL SW	542-60090-222-0	P/KNOB WHT BODY+COOL GREY 11C
	551-60115-000-0	BRKT Sonic Station 16
	551-60115-000-F	BRKT Sonic Station 16 MATERIAL
	560-61270-000-0	CARTON Sonic Station 16
	561-60900-000-0	G/B Sonic Station 16
	565-60115-000-0	FRONT-RIGHT POLYLON
	565-60116-000-0	FRONT-LEFT POLYLON
	565-60117-000-0	BACK-RIGHT POLYLON
	565-60118-000-0	BACK-LEFT POLYLON
	566-10015-010-0	SPONGE 40*10*5
	568-00003-000-0	#10 240*340*0.05
	568-30011-000-0	PE BAG 300*110*0.05
	568-60108-000-0	PE BAG 620*600*0.05
	568-60109-000-0	PE BAG Sonic Station 16 530*90*0.05
	568-60110-000-0	PE BAG Sonic Station 16 360*70*0.05
	572-00000-050-0	DRYER 5g
	573-10124-010-0	GND LABEL MAR2
	573-60240-000-0	BAR CODE LABEL PHONIC
	573-60343-000-0	LABEL BLUE D=8mm
	574-00C90-100-0	OWN. MANU. Sonic Station 16
FRONT PANEL&FRONT BOT.COV*6,REAR PANEL&REAR BOT.COV*4	590-03006-100-0	M/E FLT SCR. M3.0*6 NI
FRONT AND REAR PANEL&FRONT AND REAR BOT.COV*30,FIXED CH12-16	590-43006-100-0	M/E PAN SCR. M3.0*6 NI
PANEL&HEATSINK FOR	590-43006-100-1 590-43008-100-0	M/E PAN SCR. M3.0*8 NI
COV PANEL&HEAT SINLC*2	590-53006-100-0	M/E SET SCR. M3.0*6 NI
L/R SIDE PANEL *4,BRACKET*6	590-54008-100-0	M/E SET SCR. M4*8 NI
MIC JACK*38,REC JACK*1	591-43008-100-0	T/P PAN SCR. M3*8 NI
	593-60316-100-0	M/E SET SCREW M4.0*8 NI
	600-00302-010-0	HEX. NUT M3.0*2.0 NI
	610-00301-018-0	FIBER WAS. D3.0*8*1
ALL JACK	610-20901-001-0	TOOTH WAS D9*12*1 NI
	610-30300-501-0	TOOTH WAS. D3.0*D6.5*0.5 NI
MAST PCB&PANEL*15,DSP PCB*3	615-20088-620-0	SPACER SUPPORT H-16

Ref.	Phonic Part No.	Specifications
CH12-16	615-60085-630-0	HEX. BOSS M3.0*11MM
LED BAR*1	631-10025-000-0	HEMELON 20*70
SW412	631-10027-000-0	HEMELON 24*12
DSP LED BAR	631-20025-000-0	HEMELON 70*25
	631-20029-000-0	HEMELON 10*10

POWER REQUIREMENT CLASSIFICATION

Ref.	Phonic Part No.	Specifications
<u>UL</u>	370-08010-721-0	P/CORD 120V 10A 6F 3PUL/CSA
<u>IEC</u>	370-15010-921-0	P/CORD IEC 10A 6F 3P VDE
<u>SA</u>	370-06010-321-6	P/CORD 10A/250V SA 2.5M 3P
<u>SAA</u>	370-11010-821-0	P/CORD 240V10A 6F 3P SAA SVT
<u>BS</u>	370-01010-921-0 573-10032-010-0	P/CORD 240V 10A 6F 3P POWER LABEL (ONLY USED IN BS)
<u>JIS</u>	370-16510-629-0	P/CORD 7A 125V 2P 6F JIS

PHONIC
www.phonic.com