

i7300

Inte grated Mobile Sound System

SERVICE MANUAL

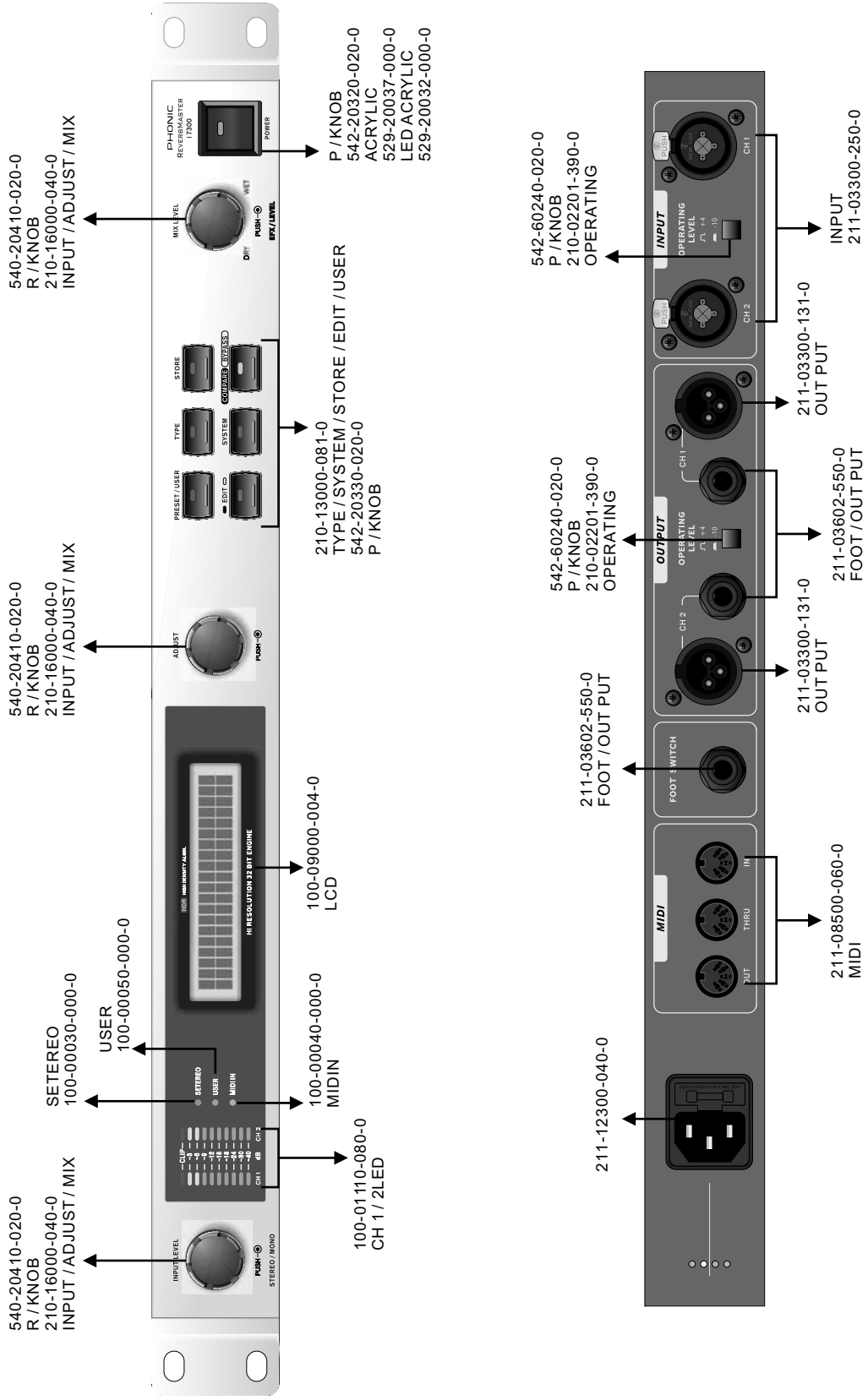


i7300 SERVICE MANUAL

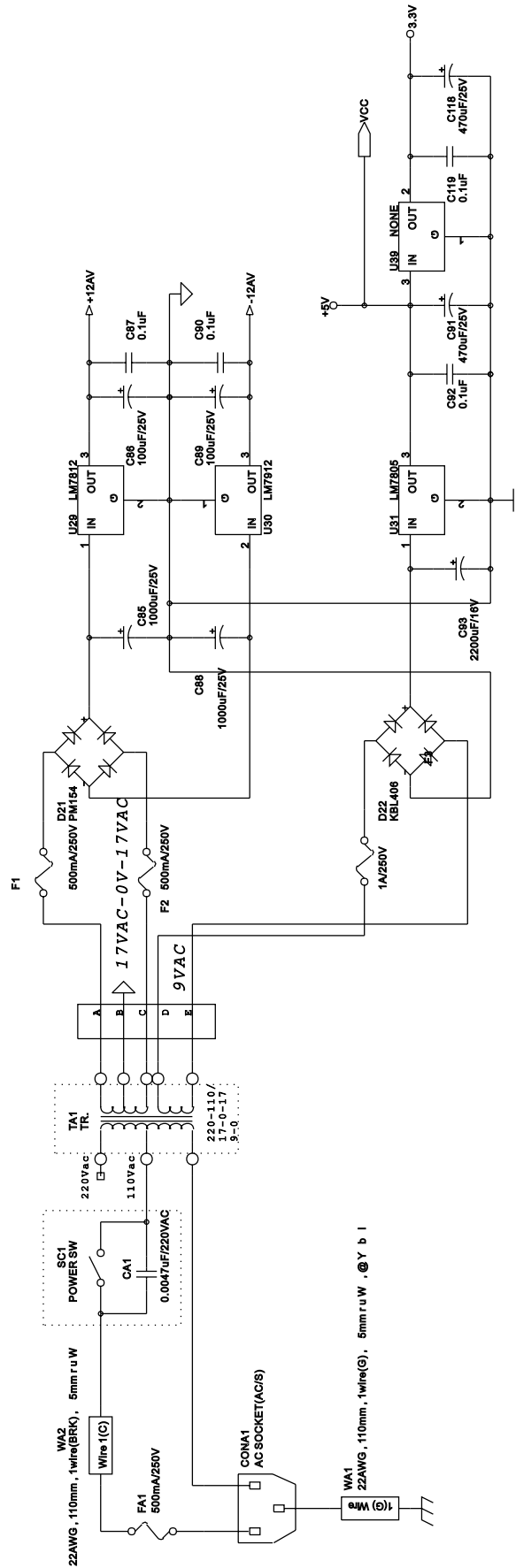
CONTENTS

PAGE

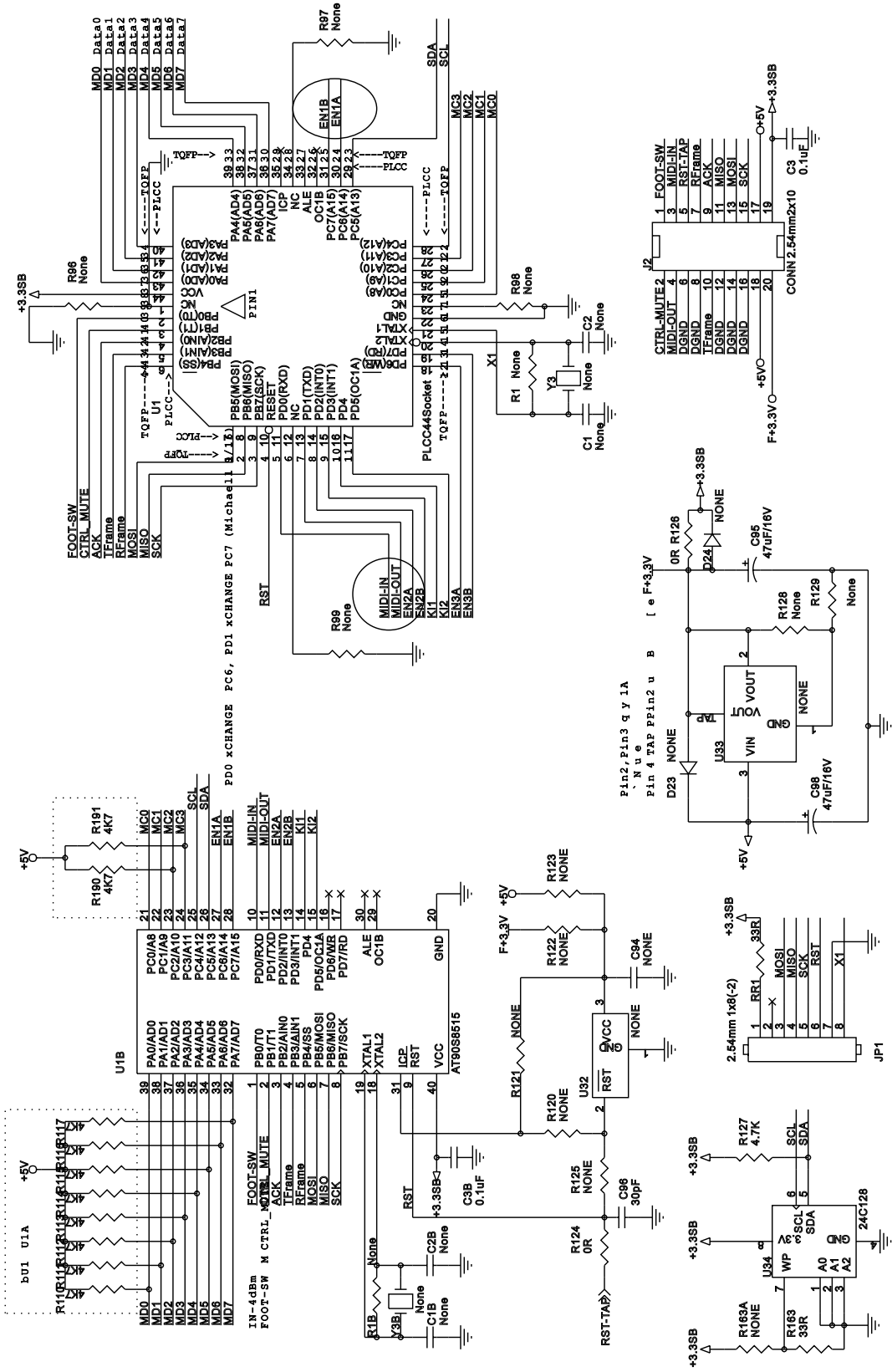
PANEL LAYOUT	3
POWER.....	4
MCU	5
MATRLX.....	6
DSP&FLASH&SDRAM.....	7
DISPLAY	8
DIGITAL	9
ANALOG.....	10
BACK PCB-PART LIST	11
BOM	11
FRONT PCB-PART LIST	13
MISCELLANEOUS ITEMS	15
POWER REQUIREMENT CLASSIFICATION	17



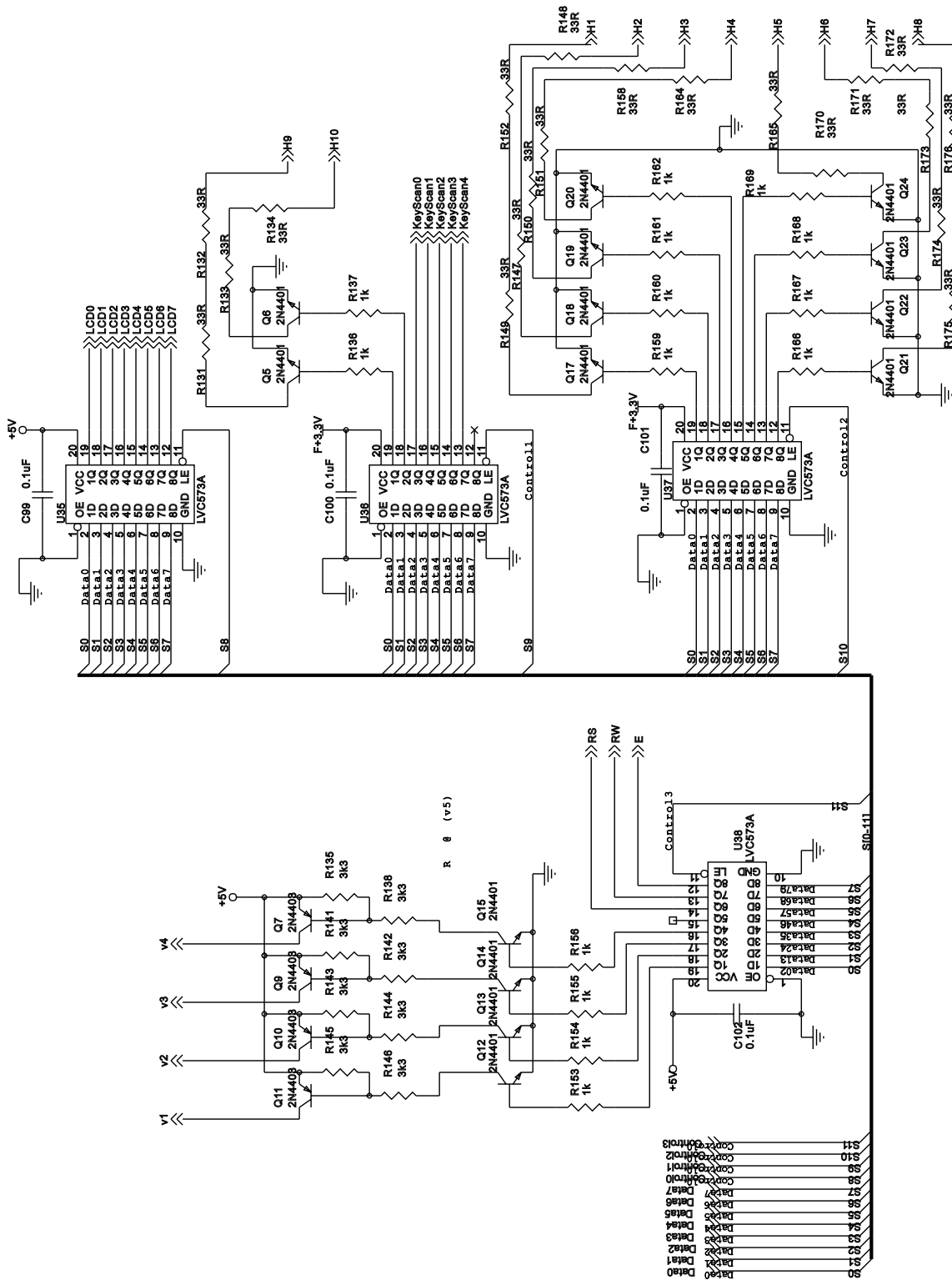
POWER



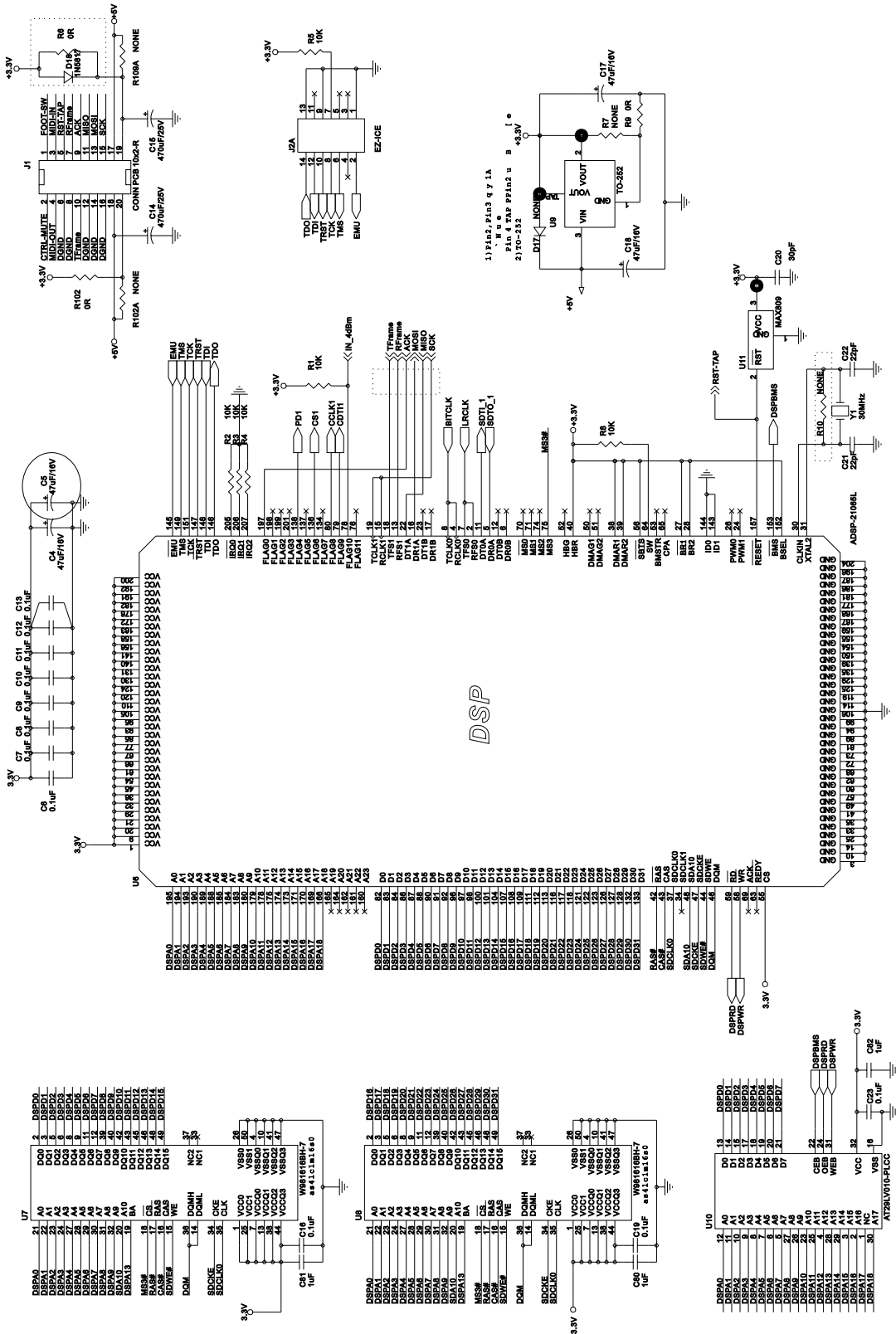
MCU



MATRLX

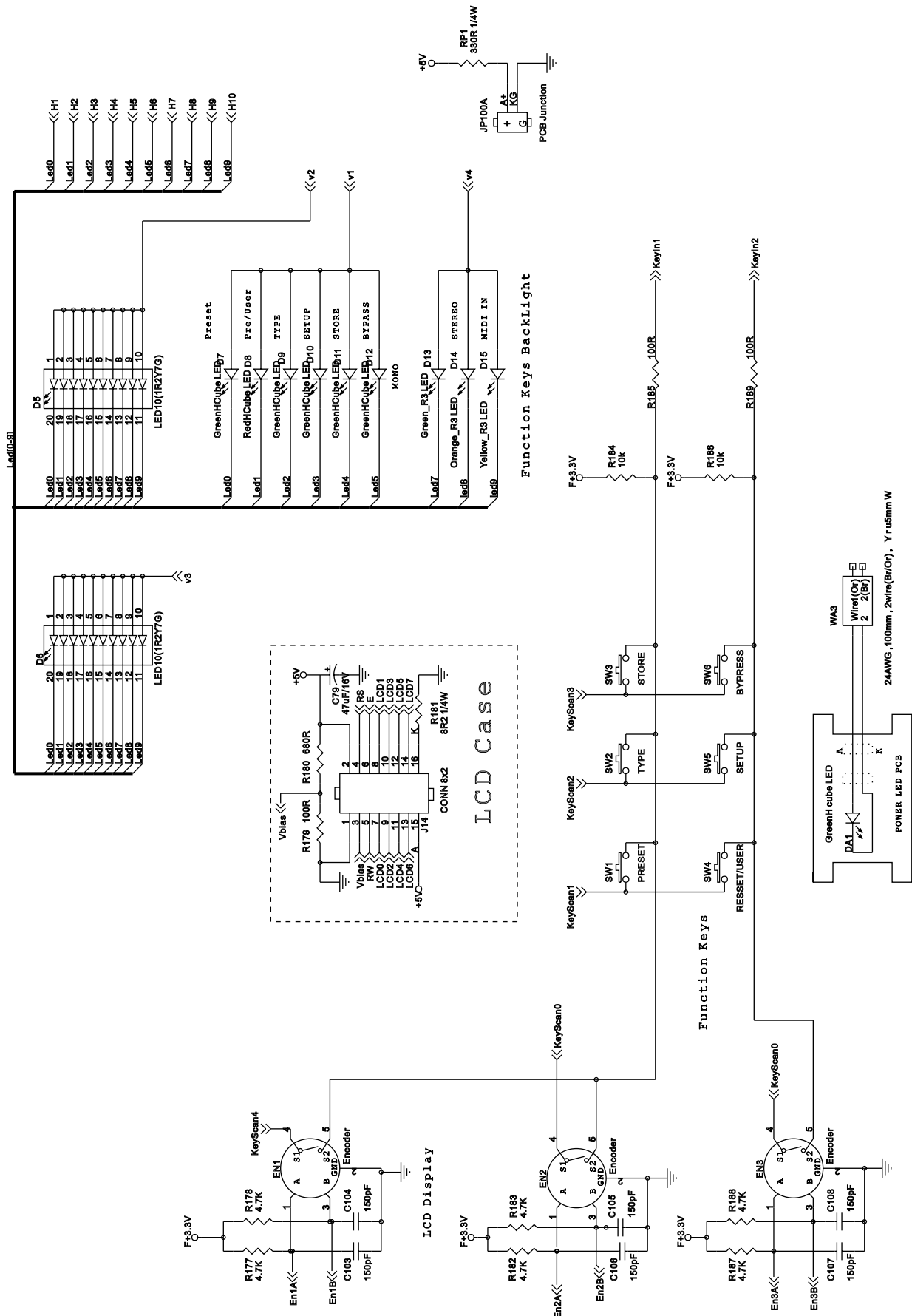


DSP&FLASH&SDRAM

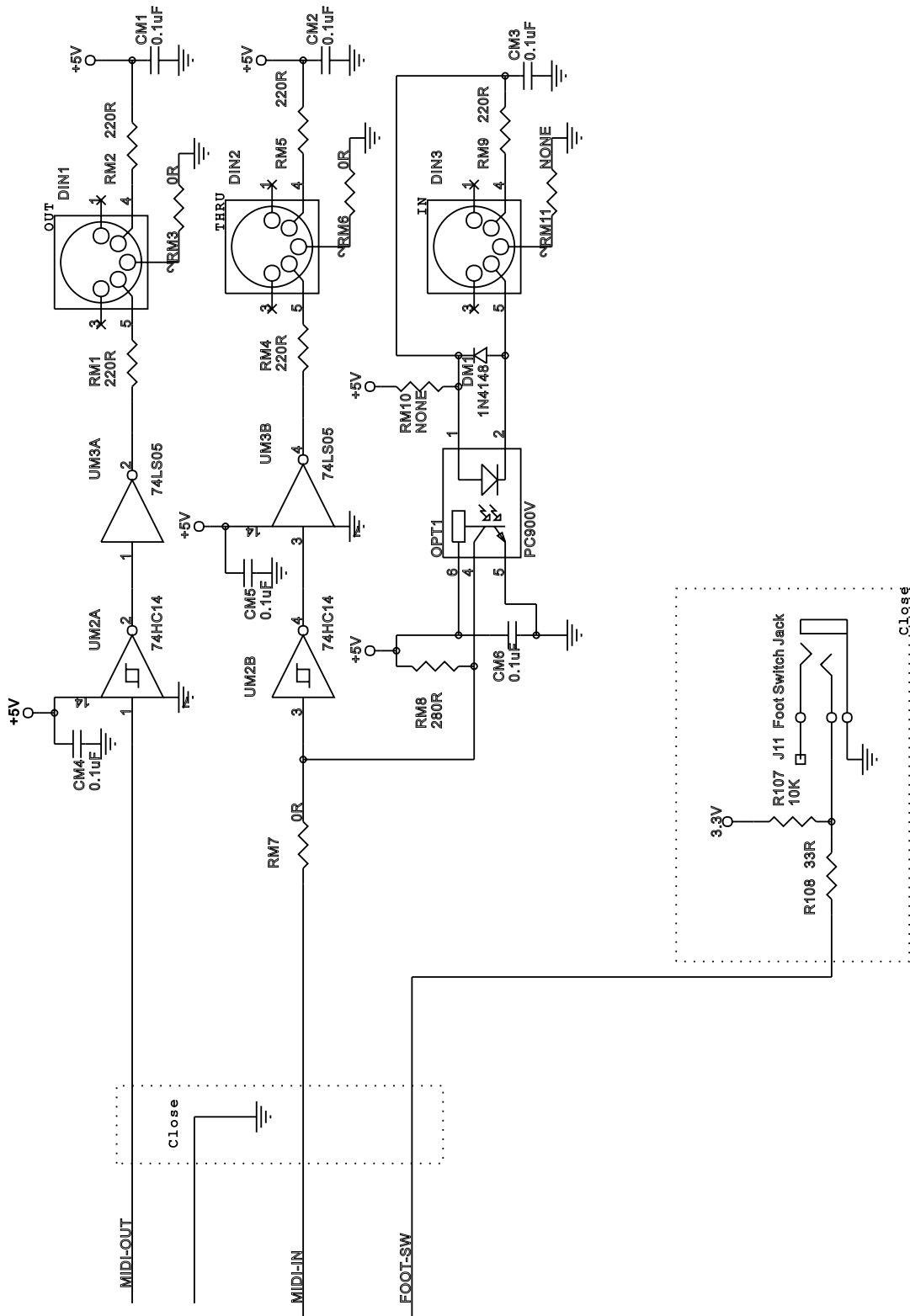


DSP

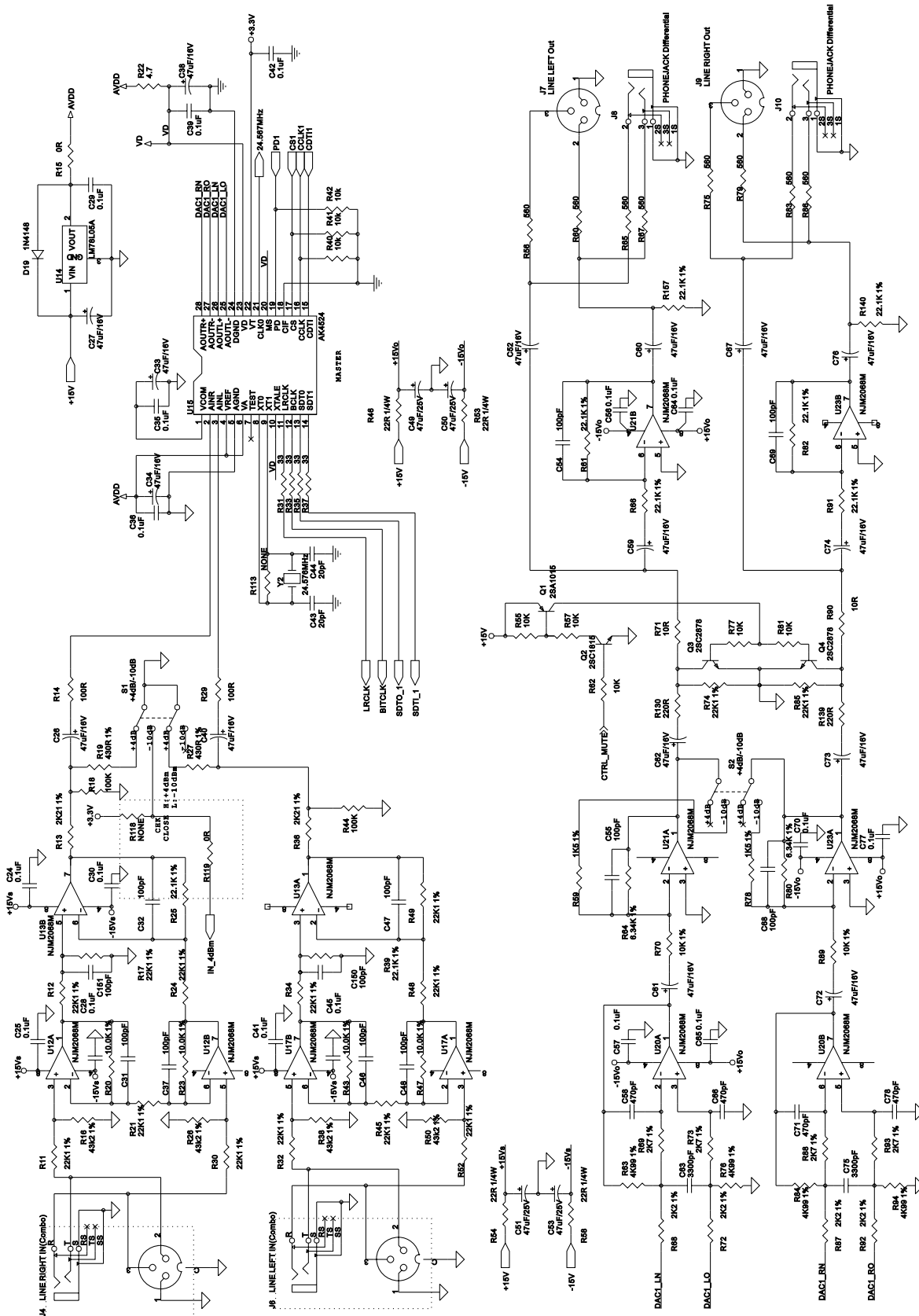
DISPLAY



DIGITAL



ANALOG



BACK PCB-PART LIST

Ref.	Phonic Part No.	Specifications
C86.89	030-10736-0A0-0	E/C 100MF M 25V 8*11 T
C85,88	030-10838-000-0	E/C 1000MF Z 25V 13*20 P(-40C~+85C)
C93	030-22828-000-0	E/C 2200MF Z 16V 13*18 P(-40C~+85C)
C14.15.91.118	030-47736-000-0	E/C 470MF M 25V 10*16 P(-40C~+85C)
CA1	058-47236-001-0	LINE/C 0.0047MF M 400V
D21	090-10000-000-0	B/DIODE PB154
D22	090-10018-000-0	B/DIODE KBL406
U29	160-00001-219-0	IC 7812 DIP (ST)
U30	160-00001-332-0	IC LM7912 DIP(ST)
U31	160-00004-114-0	IC 7805 DIP(ST)
U14	160-00004-120-0	IC L78L05ACZ DIP (ST/NS)
UM3	170-00001-710-0	TTL 74LS05 SOT14-M
UM2	170-00004-210-0	TTL HD74LS14 SOP-14-M
S1,2	210-02201-390-0	PSH/SW SP70300-0202-11F1-N
J8.10.11	211-01602-550-0	6D3/J PJB0661-6
J7.9	211-03300-131-0	XLR/J 93M-108P/1
J4.6	211-03300-250-0	XLR/J 97M-1007PW-H
J1	211-06204-010-0	PIN/S PHDRST-10 6MM
DIN1.2.3	211-08500-060-0	DIN JACK SCN600S5SS00000
Y2	300-11284-000-0	CRYSTAL 11.2896MHz 49S
Y1	300-30004-000-0	CRYSTAL 30MHz HC-49/S
R6.9.15.102.119.M3.M 6.M7	008-00002-600-0	CHIP RES. 0 J 0603
R71.79	008-01002-600-0	CHIP RES. 10 J 0603
R14.29	008-01012-600-0	CHIP RES. 100 J 0603
R1.2.3.4.5.8.40.41.42.55. 57.62.77.81.107	008-01032-600-0	CHIP RES. 10K J 0603
R18.44	008-01042-600-0	CHIP RES. 100K J 0603
	008-02212-600-0	CHIP RES. 220 J 0603
R31.33.35.37.108	008-03302-600-0	CHIP RES. 33 J 0603
R22	008-04772-600-0	CHIP RES. 4.7 J 0603
	008-05612-600-0	CHIP RES. 560 J 0603
R20.23.43.47.70.89	008-10022-400-0	CHIP RES. 10K F 0603
R59.78	008-15012-400-0	CHIP RES. 1K5 F 0603
R68.72.87.92	008-22012-400-0	CHIP RES. 2K2 F 0603
R13.36	008-22112-400-0	CHIP RES. 2K21 F 0603
R11.12.17.21.24.25.30.3 2.34.39.45.48.49. 52.61. 66.74.82.85.91.140.157	008-22122-400-0	CHIP RES. 22K1 F 0603

Ref.	Phonic Part No.	Specifications
R69.73.88.93	008-27012-400-0	CHIP RES. 2K7 F 0603
RM8	008-28002-400-0	CHIP RES. 280 F 0603
R19.24	008-43002-400-0	CHIP RES. 430 F 0603
R16.26.38.50	008-43222-400-0	CHIP RES. 43.2K F 0603
R63.76.84.94	008-49912-400-0	CHIP RES. 4K99 F 0603
R64.80	008-63412-400-0	CHIP RES. 6K34 F 0603
C43.44	039-10024-220-0	CHIP C/C 10PF J 50V 0603
C31.32.37.46.47.48.54.5 5.68.69.150.151	039-10124-220-0	CHIP C/C 100PF J 50V 0603
C6.7.8.9.10.11.12.13.16. 19.23.24.25.28.29.30.35 .36.39.41.42.45.56.57.64 .65.70.77C87.90.92.119. M1.M2.M3.M4.M5.M6	039-10424-220-0	CHIP C/C 0.1MF J 50V 0603
C80.81	039-10535-000-0	CHIP C/C 1MF K 10V 0805
C21.22	039-22024-200-0	CHIP C/C 22PF J 50V 0603 Z5U
C20	039-30024-220-0	CHIP C/C 30PF J 50V 0603
C63.75	039-33224-220-0	CHIP C/C 0.0033MF J 50V 0603
C58.66.71.78	039-47124-220-0	CHIP C/C 470PF J 50V 0603
U12.13.17.20.21.23	160-00024-100-0	IC NJM4580M DMP (JRC)
U9	160-00027-200-0	IC LD1117S33TR SOT-223-M REEL (ST/ NS)
U11	170-00007-300-0	TTL MAX809STR SOP-23-M(ON)
U15	171-00004-500-0	MOS AK4524VFV SOP-M REEL (AKM)
U6	177-00003-300-0	MCU ADSP21065LKS-240 MQFP-M(ADI)
U10	177-00004-000-0	MCU SST39VF020 PLCC-M(SST)
U7.8	177-01005-010-0	IC W981616BH-7 SMD (WIN)
R46.53.54.58	000-22026-400-0	CF RES. 22 J 0.25W T
C4.17.18.26.27.33.34.38 .40.52.59.60.61.62.67.72 .73.74.76	030-47626-0A0-0	E/C 47MF M 16V 5*11 T
C49.50.51.53	030-47638-0A0-0	E/C 47MF Z 25V 5*11 T
D19.M1	090-02000-020-0	DIODE 1N4148 T
Q2	120-00000-800-0	TRN 2SC1815 GR TO-92-D REEL(TO)
Q3.4	120-00006-200-0	TRN 2SC2878 TO-92-D REEL(TO)
Q1	121-00000-200-0	TRP 2SA1015GR TO-92-D REEL(TO)

FRONT PCB-PART LIST

Ref.	Phonic Part No.	Specifications
D8.11	100-00010-070-0	LED LI3130 RED D5
D14	100-00030-000-0	LED BL-B4141 ORANGE
D15	100-00040-000-0	LED BL-B3141 YLW
D13	100-00050-000-0	LED BL-B2141 GRN
D7,9,10,12	100-00050-150-0	LED LG3130 GRN D5
LED100	100-00150-040-0	LED 2*4mm BL-RGE131 Green
D5,6	100-01110-080-0	LED BAR BA-1R2Y7G1UD-LC5
	100-09000-004-0	LCD WH2002A-TMC-ET
SW1,2,3,4,5,6	210-13000-081-0	TACT/SW TC-004-PSS11A-B
EN1,2,3	210-16000-040-0	ENCODER DC11B1524418-PJ
R179.185.189	008-01012-600-0	CHIP RES. 100 J 0603
R124,126	008-00002-600-0	CHIP RES. 0 J 0603
R136.137.153.154.155.15 6.159.160.161.162	008-01022-600-0	CHIP RES. 1K J 0603
R184,186	008-01032-600-0	CHIP RES. 10K J 0603
R131-134.147- 152.158.164.165.170- 176.163	008-03302-600-0	CHIP RES. 33 J 0603
R135.138.141.142.143.14 4.145.146	008-03322-600-0	CHIP RES. 3K3 J 0603
R110.111.112.113.114.115 .116.117.127.177.178.182. 183.187.188.190.191	008-04722-600-0	CHIP RES. 4K7 J 0603
R180	008-06812-600-0	CHIP RES. 680 J 0603
C3.99.100.101.102	039-10424-220-0	CHIP C/C 0.1MF J 50V 0603
	039-15124-200-0	CHIP C/C 150PF J 50V 0603
C1.2.96	039-30024-220-0	CHIP C/C 30PF J 50V 0603
Q5.6.12.13.14.15.17.18.19 .20.21.22.23.24	120-00007-410-0	TRN MMBT4401 SOT-23-M(FA)(2N4401)
Q7.9.10.11	121-00005-310-0	TRP MMBT4403 SOT-23-M(FA)
U35.36.37.38	170-00007-500-0	TTL 74LVC573APW TSSOP-M(PH)
U1	177-00003-520-P	MCU ATMEGA8515L-8AC TQFP-M(ATM)
U34	177-01005-800-0	IC 24C128N JEDEC SOIC-M(ATM)
RP1	000-33126-400-0	CF RES. 330 J 1/4W T
R181	000-82726-400-0	CF RES. 8.2 J 0.25W T
C79,95,98	030-47626-0A0-0	E/C 47MF M 16V 5*11 T

Ref.	Phonic Part No.	Specifications
Y3	300-80003-010-0	CRYSTAL 8MHz TXC
J14	211-06164-010-0	PIN/S 5507-16-G1-0600-0300
J2	211-06204-010-0	PIN/S PHDRST-10 6MM

MISCELLANEOUS ITEMS

Ref.	Phonic Part No.	Specifications
	211-12300-040-0	AC/S 0717-1-PS
	212-10010-890-8	1P WAFER/P 110MM GRN/YLW
	212-10200-120-0	20P WAFER/P 200MM
	379-28151-111-0	M.WIRE UL1617 #22 150MM BRN
	510-21200-010-0	PANEL I7300
	511-20790-000-0	BACK PANEL I7300/7400
	516-20490-200-0	TOP COV. I7300
	517-20690-000-0	BOT. COV. I SERIES
	524-20011-010-0	L/R SIDE PANEL AL
	525-60010-000-0	FEET 20*20*8.0MM (SF-006)
ON POWER SW LED	529-20032-000-0	LED ACRYLIC LENS 11.5*6*t3
ON PUSH KNOB*6	529-20033-000-0	LED ACRYLIC LENS I SERIES(2)
	529-20037-000-0	ACRYLIC LENS 171.7*34.8*t3
	540-20410-020-0	R/KNOB 877C BODY
	542-20320-020-0	P/KNOB ABS BLK
	542-20330-020-0	P/KNOB 877C BODY
	542-60240-020-0	P/KNOB 431C+WHT
POWER SW BUSHING	543-20210-020-0	P/KNOB BUSH. BLK ABS
POWER SW BRKT	551-20079-420-0	ADHESIVE FIXED AB-2-3M
	552-00001-420-0	PCB FIXED 380*12.1*2MM (PP)
X'MER	552-90001-100-0	X'MER FIXED 20*8*2
	618-14180-662-0	SPEC. FIXED PIN SR-2 WHT
GND *1	610-30400-501-0	TOOTH WAS. D4.0*D8.5*0.5 NI
PCB*1	610-20300-501-1	TOOTH WAS. D3.0*6.8*0.5 NI
LCD PCB*4	600-00302-010-0	HEX. NUT M3.0*2.0 NI
GND*1	600-00403-510-0	HEX. NUT M4.0*3.5 NI
LCD*4	610-00300-501-0	PLA. WAS. D3.0*D7.0*0.5 NI
	560-21170-000-0	CARTON I7300
	561-21360-000-0	G/B I7300
	565-20060-000-0	RT/LF POLYLON 1U SERIES
	568-00003-000-0	10 240*340*0.05
	568-20004-000-0	PE BAG 550*300*0.05
	572-00000-050-0	DRYER 5g
	573-60240-000-0	S/N LABEL PHONIC
	573-60343-000-0	LABEL BLUE D=8mm
	590-02604-200-8	M/E FLT SCR. M2.6*4 BLK D=4.5
FIXFI	590-02606-200-8	M/E FLT SCR. M2.6*6 BLK D=4.5
LCD*4	590-03008-100-0	M/E FLT SCR. M3.0*8 NI D=6

Ref.	Phonic Part No.	Specifications
FIX XLR*8	590-03008-200-0	M/E FLT SCR. M3.0*8 BLK D=6
HANDLE*4	590-04010-100-0	M/E FLT SCR. M4*10 NI
PCB*3 FIX POWER*2	590-33006-100-0	M/E RUD SCR. M3.0*6 NI
FIX X'MER*2	590-33008-200-0	M/E RUD SCR. M3.0*8 BLK
GND*1	590-44008-100-0	M/E PAN SCR. M4.0*8 NI
LED*9	615-20099-620-0	LED BOSS LED3-3

POWER REQUIREMENT CLASSIFICATION

Ref.	Phonic Part No.	Specifications
UL AC/S.F3 F1.2	070-20758-800-0	X'MER 115/230V CM-E-M-254
	280-1026B-000-0	FUSE 1A 250V UL/CSA/JIS S
	280-5016B-000-0	FUSE 500MA 250V UL/CSA/JIS S
	370-08010-721-0	P/CORD 120V 10A 6F 3PUL/CSA
	574-02420-110-0	OWN. MANU. I7300 PHONIC
IEC F3 AC/S.F1.2	070-20758-800-0	X'MER 115/230V CM-E-M-254
	280-10263-001-0	FUSE 1A 250V VDE/CE S (GTD-1)
	280-50163-000-0	FUSE 0.5A 250V VDE S
	370-15010-921-0	P/CORD IEC 10A 6F 3P SVT
	574-02420-110-0	OWN. MANU. I7300 PHONIC
SA F3 AC/S.F1.2	070-20758-800-0	X'MER 115/230V CM-E-M-254
	280-10263-001-0	FUSE 1A 250V VDE/CE S (GTD-1)
	280-50163-000-0	FUSE 0.5A 250V VDE S
	370-06010-321-6	P/CORD 10A/250V SA 2.5M 3P
	574-02420-110-0	OWN. MANU. I7300 PHONIC
SAA F3 AC/S.F1.2	070-20758-800-0	X'MER 115/230V CM-E-M-254
	280-10263-001-0	FUSE 1A 250V VDE/CE S (GTD-1)
	280-50163-000-0	FUSE 0.5A 250V VDE S
	370-11010-821-0	P/CORD 240V 10A 6F 3P SAA SVT
	574-02420-110-0	OWN. MANU. I7300 PHONIC
BS F3 AC/S.F1.2	070-20758-800-0	X'MER 115/230V CM-E-M-254
	280-10263-001-0	FUSE 1A 250V VDE/CE S (GTD-1)
	280-50163-000-0	FUSE 0.5A 250V VDE S
	370-01010-921-0	P/CORD 240V 10A 6F 3P
	574-02420-110-0	OWN. MANU. I7300 PHONIC
JIS AC/S.F3 F1.2	070-20750-600-0	X'MER 100V JIS I SERIES
	280-1026B-000-0	FUSE 1A 250V UL/CSA/JIS S
	280-5016B-000-0	FUSE 500MA 250V UL/CSA/JIS S
	370-16510-629-0	P/CORD 7A 125V 2P 6F JIS
	574-02420-130-0	OWN. MANU. I7300 PHONIC JIS

PHONIC
www.phonic.com