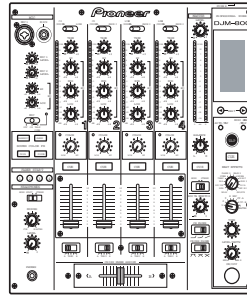


# Service Manual



DJM-800

ORDER NO.  
**RRV3340**

DJ MIXER

# DJM-800

ROTARY VOLUME KIT

# DJC-800RV

THIS MANUAL IS APPLICABLE TO THE FOLLOWING MODEL(S) AND TYPE(S).

Model	Type	Power Requirement	Remarks
DJM-800	KUCXJ	AC120V	
DJM-800	WYXJ5	AC220 - 240V	
DJM-800	TLXJ	AC110 - 120V / 220 - 240V	
DJC-800RV	ZXJ/WL5	—	



For details, refer to "Important Check Points for good servicing".

# SAFETY INFORMATION



This service manual is intended for qualified service technicians ; it is not meant for the casual do-it-yourselfer. Qualified technicians have the necessary test equipment and tools, and have been trained to properly and safely repair complex products such as those covered by this manual.

Improperly performed repairs can adversely affect the safety and reliability of the product and may void the warranty. If you are not qualified to perform the repair of this product properly and safely, you should not risk trying to do so and refer the repair to a qualified service technician.



## WARNING

This product contains lead in solder and certain electrical parts contain chemicals which are known to the state of California to cause cancer, birth defects or other reproductive harm.

Health & Safety Code Section 25249.6 – Proposition 65



## NOTICE

(FOR CANADIAN MODEL ONLY)

Fuse symbols  (fast operating fuse) and/or  (slow operating fuse) on PCB indicate that replacement parts must be of identical designation.

## REMARQUE

(POUR MODÈLE CANADIEN SEULEMENT)

Les symboles de fusible  (fusible de type rapide) et/ou  (fusible de type lent) sur CCI indiquent que les pièces de remplacement doivent avoir la même désignation.

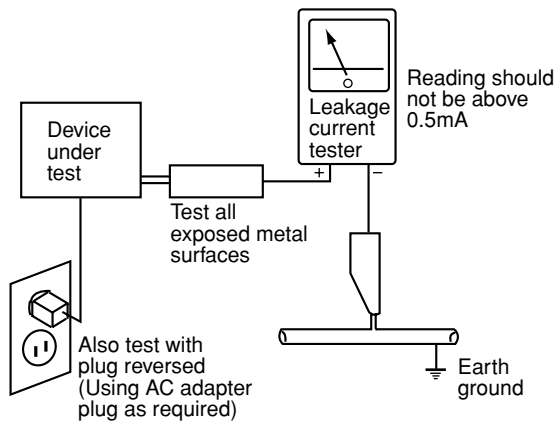
## (FOR USA MODEL ONLY)

### 1. SAFETY PRECAUTIONS

The following check should be performed for the continued protection of the customer and service technician.

#### LEAKAGE CURRENT CHECK

Measure leakage current to a known earth ground (waterpipe, conduit, etc.) by connecting a leakage current tester such as Simpson Model 229-2 or equivalent between the earth ground and all exposed metal parts of the appliance (input/output terminals, screwheads, metal overlays, control shaft, etc.). Plug the AC line cord of the appliance directly into a 120V AC 60Hz outlet and turn the AC power switch on. Any current measured must not exceed 0.5mA.



AC Leakage Test

**ANY MEASUREMENTS NOT WITHIN THE LIMITS OUTLINED ABOVE ARE INDICATIVE OF A POTENTIAL SHOCK HAZARD AND MUST BE CORRECTED BEFORE RETURNING THE APPLIANCE TO THE CUSTOMER.**

### 2. PRODUCT SAFETY NOTICE

Many electrical and mechanical parts in the appliance have special safety related characteristics. These are often not evident from visual inspection nor the protection afforded by them necessarily can be obtained by using replacement components rated for voltage, wattage, etc. Replacement parts which have these special safety characteristics are identified in this Service Manual.

Electrical components having such features are identified by marking with a  $\Delta$  on the schematics and on the parts list in this Service Manual.

The use of a substitute replacement component which does not have the same safety characteristics as the PIONEER recommended replacement one, shown in the parts list in this Service Manual, may create shock, fire, or other hazards.

Product Safety is continuously under review and new instructions are issued from time to time. For the latest information, always consult the current PIONEER Service Manual. A subscription to, or additional copies of, PIONEER Service Manual may be obtained at a nominal charge from PIONEER.

## [Important Check Points for Good Servicing]

In this manual, procedures that must be performed during repairs are marked with the below symbol. Please be sure to confirm and follow these procedures.

### 1. Product safety



Please conform to product regulations (such as safety and radiation regulations), and maintain a safe servicing environment by following the safety instructions described in this manual.

- ① Use specified parts for repair.

Use genuine parts. Be sure to use important parts for safety.

- ② Do not perform modifications without proper instructions.

Please follow the specified safety methods when modification (addition/change of parts) is required due to interferences such as radio/TV interference and foreign noise.

- ③ Make sure the soldering of repaired locations is properly performed.

When you solder while repairing, please be sure that there are no cold solder and other debris. Soldering should be finished with the proper quantity. (Refer to the example)

- ④ Make sure the screws are tightly fastened.

Please be sure that all screws are fastened, and that there are no loose screws.

- ⑤ Make sure each connectors are correctly inserted.

Please be sure that all connectors are inserted, and that there are no imperfect insertion.

- ⑥ Make sure the wiring cables are set to their original state.

Please replace the wiring and cables to the original state after repairs. In addition, be sure that there are no pinched wires, etc.

- ⑦ Make sure screws and soldering scraps do not remain inside the product.

Please check that neither solder debris nor screws remain inside the product.

- ⑧ There should be no semi-broken wires, scratches, melting, etc. on the coating of the power cord.

Damaged power cords may lead to fire accidents, so please be sure that there are no damages. If you find a damaged power cord, please exchange it with a suitable one.

- ⑨ There should be no spark traces or similar marks on the power plug.

When spark traces or similar marks are found on the power supply plug, please check the connection and advise on secure connections and suitable usage. Please exchange the power cord if necessary.

- ⑩ Safe environment should be secured during servicing.

When you perform repairs, please pay attention to static electricity, furniture, household articles, etc. in order to prevent injuries. Please pay attention to your surroundings and repair safely.

### 2. Adjustments



To keep the original performance of the products, optimum adjustments and confirmation of characteristics within specification. Adjustments should be performed in accordance with the procedures/instructions described in this manual.

### 3. Lubricants, Glues, and Replacement parts



Use grease and adhesives that are equal to the specified substance. Make sure the proper amount is applied.

### 4. Cleaning



For parts that require cleaning, such as optical pickups, tape deck heads, lenses and mirrors used in projection monitors, proper cleaning should be performed to restore their performances.

### 5. Shipping mode and Shipping screws



To protect products from damages or failures during transit, the shipping mode should be set or the shipping screws should be installed before shipment. Please be sure to follow this method especially if it is specified in this manual.

# CONTENTS

- 1. SPECIFICATIONS ..... 5
- 2. EXPLODED VIEWS AND PARTS LIST ..... 6
  - 2.1 PACKING SECTION ..... 6
  - 2.2 EXTERIOR SECTION ..... 8
  - 2.3 CONTROL PANEL SECTION ..... 10
- 3. BLOCK DIAGRAM AND SCHEMATIC DIAGRAM ..... 12
  - 3.1 OVERALL BLOCK DIAGRAM\_1 ..... 12
  - 3.2 OVERALL BLOCK DIAGRAM\_2 ..... 14
  - 3.3 OVERALL WIRING DIAGRAM ..... 16
  - 3.4 INPUT ASSY (1/6) ..... 18
  - 3.5 INPUT ASSY (2/6) ..... 20
  - 3.6 INPUT ASSY (3/6) ..... 22
  - 3.7 INPUT ASSY (4/6) ..... 24
  - 3.8 INPUT ASSY (5/6) ..... 26
  - 3.9 INPUT ASSY (6/6) ..... 28
  - 3.10 MIC 1 ASSY ..... 30
  - 3.11 PANEL 1 ASSY ..... 32
  - 3.12 TRIM1 to TRIM 4 ASSYS ..... 36
  - 3.13 MAIC 2 ASSY ..... 37
  - 3.14 PANEL 2 ASSY ..... 38
  - 3.15 CHFD 1 to CHFD 4 and CRSFD ASSYS ..... 40
  - 3.16 DIGIA ASSY ..... 41
  - 3.17 DSP ASSY (1/3) ..... 42
  - 3.18 DSP ASSY (2/3) ..... 46
  - 3.19 DSP ASSY (3/3) ..... 50
  - 3.20 OUTPUT ASSY (1/3) ..... 54
  - 3.21 OUTPUT ASSY (2/3) ..... 56
  - 3.22 OUTPUT ASSY (3/3) ..... 58
  - 3.23 DIGIC ASSY ..... 60
  - 3.24 DIGIB ASSY ..... 64
  - 3.25 HPAMP ASSY ..... 66
  - 3.26 HPJACK ASSYS ..... 68
  - 3.27 ACSW ASSY ..... 69
  - 3.28 SW POWER SUPPLY UNIT ..... 70
  - 3.29 VOLTAGES ..... 72
  - 3.30 WAVEFORMS ..... 78
- 4. PCB CONNECTION DIAGRAM ..... 84
  - 4.1 INPUT ASSY ..... 84
  - 4.2 PANEL 1 ASSY ..... 88
  - 4.3 TRIM 1 to TRIM 4 and ACSW ASSYS ..... 92
  - 4.4 MIC1 and MIC2 ASSYS ..... 94
  - 4.5 CHFD1, CHFD2, CHFD3 and CHFD4 ASSYS ..... 95
  - 4.6 PANEL 2 and DIGIA ASSYS ..... 96
  - 4.7 DSP ASSY ..... 100
  - 4.8 OUTPUT ASSY ..... 104
  - 4.9 CRSFD, DIGIC and SLSW ASSYS ..... 108
  - 4.10 DIGIB ASSY ..... 112
  - 4.11 HPAMP and HPJACK ASSYS ..... 114
- 5. PCB PARTS LIST ..... 116
- 6. ADJUSTMENT ..... 123
- 7. GENERAL INFORMATION ..... 124
  - 7.1 DIAGNOSIS ..... 124
    - 7.1.1 TEST MODE ..... 124
    - 7.1.2 REWRITING THE FIRMWARE ..... 133
  - 7.2 POWER ON SEQUENCE ..... 146
  - 7.3 DISASSEMBLY ..... 147
  - 7.4 IC INFORMATION ..... 152
- 8. PANEL FACILITES ..... 167
- 9. ROTARY VOLUME KIT (DJC-800RV) ..... 172
  - 9.1 PACKING SECTION ..... 172
  - 9.2 EXTERIOR SECTION ..... 173
  - 9.3 SCHEMATIC DIAGAM ..... 174
  - 9.4 DISASSEMBLY ..... 175

# 1. SPECIFICATIONS

## SPECIFICATIONS

### 1. General

Power source (/KUCXJ)	AC 120 V, 60 Hz
Power source (/WYXJ5)	AC 220–240V, 50/60 Hz
Power source (/TLXJ)	AC 110–120/220–240V, 50/60 Hz

Power consumption	32W
Operating temperature	+5 °C to +35 °C (+41 °F to +95 °F)
Operating humidity	5 % to 85 % (without condensation)
Weight	8.0 kg (16.54 lb)
Maximum dimensions	320 (W) x 381 (D) x 108 (H) mm 12-5/8 (W) x 15 (D) x 4-1/4 (H) in

### 2. Audio section

Sampling rate	96 kHz
A/D, D/A converter	24 bits
Frequency response	
LINE	20 Hz to 20 kHz
MIC	20 Hz to 20 kHz
PHONO	20 Hz to 20 kHz (RIAA)
S/N ratio (at rated output)	
LINE	105 dB
PHONO	88 dB
MIC	84 dB
Distortion (LINE-MASTER 1)	0.005 %
Standard input level/Input impedance	
PHONO 2 to 4	-52 dBu/47 kΩ
MIC 1, MIC 2	-52 dBu/3 kΩ
LINE, LINE/CD 1 to 4	-12 dBu/22 kΩ
RETURN	-12 dBu/22 kΩ
Standard output level/Load impedance/Output impedance	
MASTER 1	+2 dBu/10kΩ /10Ω or less
MASTER 2	+2 dBu/10 k Ω/1 kΩ
REC	-8 dBu/10 kΩ /1 kΩ
BOOTH	+2 dBu/600Ω /600Ω
SEND	-12dBu/10 kΩ /1 kΩ
PHONES	+8.5 dBu/32Ω /22Ω or less
Rated output level/Load impedance	
MASTER 1	+22 dBu/10kΩ
MASTER 2	+20 dBu/10 kΩ
Crosstalk (LINE)	88 dB
Channel equalizer response	
HI	-26 dB to +6 dB (13 kHz)
MID	-26 dB to +6 dB (1 kHz)
LOW	-26 dB to +6 dB (70 Hz)
Microphone equalizer response	
HI	-12 dB to +6 dB (10 kHz)
LOW	-12 dB to +6 dB (100 Hz)

### 3. Input/output connector systems

PHONO input connectors	
RCA pin jacks	3
LINE/CD input connectors	
RCA pin jacks	4
LINE input connectors	
RCA pin jacks	1
MIC input connectors	
XLR connector/phone jack (Ø6.3 mm)	1
Phone jack (Ø6.3 mm)	1
DIGITAL coaxial input connectors	
RCA pin jacks	4
RETURN input connectors	
Phone jacks (Ø6.3 mm)	1
MASTER output connectors	
XLR connectors	1
RCA pin jacks	1
BOOTH output connectors	
Phone jacks (Ø6.3 mm)	1
REC output connectors	
RCA pin jacks	1
SEND output connectors	
Phone jacks (Ø6.3 mm)	1
DIGITAL coaxial output connector	
RCA pin jack	1
MIDI OUT connector	
5P DIN	1
PHONES output connector	
Stereo phone jack (Ø6.3 mm)	1
CONTROL connector	
Mini phone jacks (Ø3.5 mm)	4

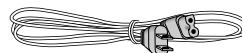
### 4. Accessories

Operating Instructions	1
Power cord	1
Warranty card	1

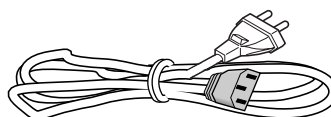
Specifications and appearance are subject to change without notice.

### ● Accessories

Power cord  
(KUCXJ : DDG1028)



(WYXJ5, TLXJ : ADG7062)

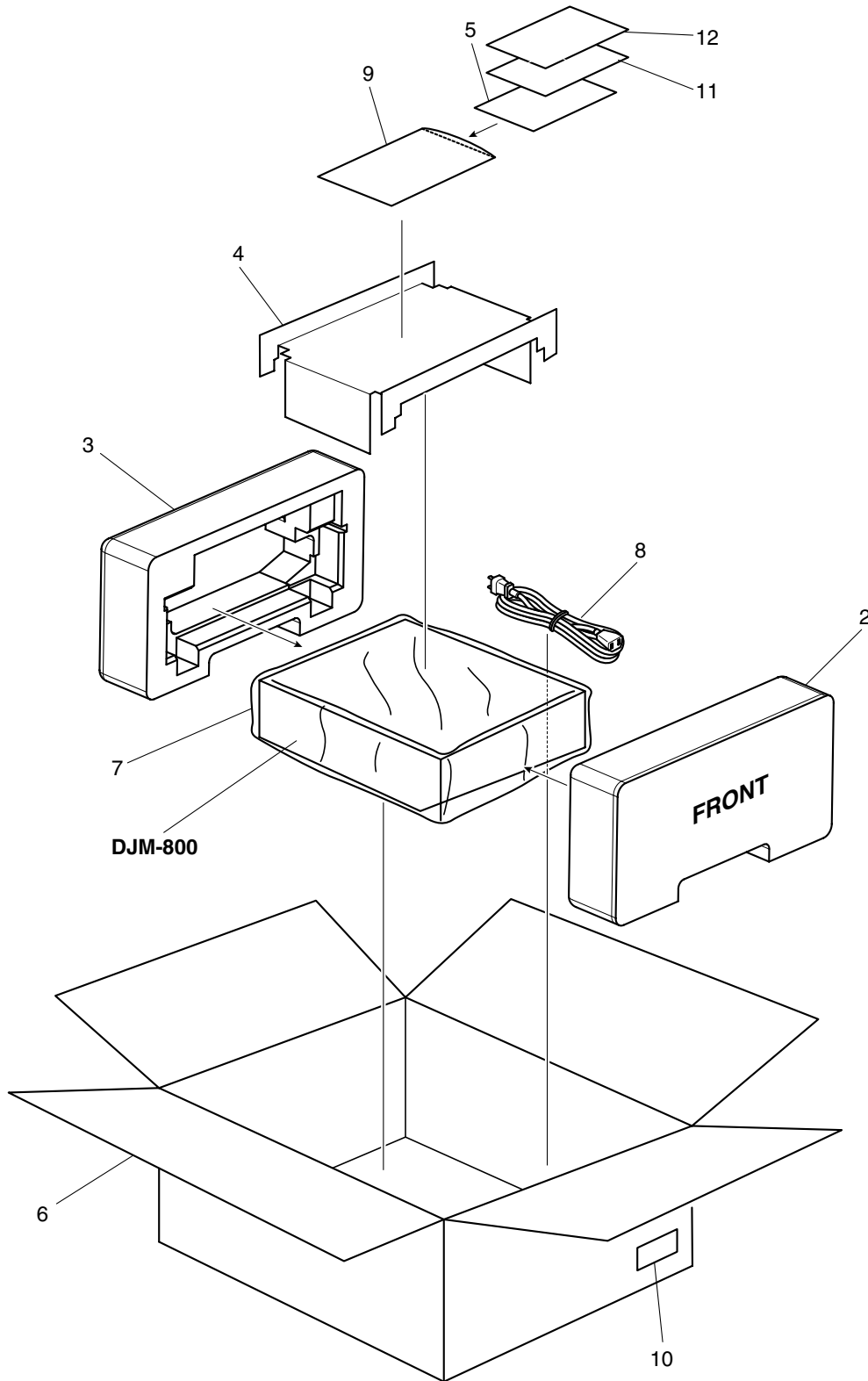


Operating instructions  
Warranty card (KUCXJ only)

## 2. EXPLODED VIEWS AND PARTS LIST

- NOTES:
- Parts marked by "NSP" are generally unavailable because they are not in our Master Spare Parts List.
  - The  $\triangle$  mark found on some component parts indicates the importance of the safety factor of the part. Therefore, when replacing, be sure to use parts of identical designation.
  - Screws adjacent to  $\blacktriangledown$  mark on product are used for disassembly.
  - For the applying amount of lubricants or glue, follow the instructions in this manual. (In the case of no amount instructions, apply as you think it appropriate.)

### 2.1 PACKING SECTION



DJM-800

**(1) PACKING SECTION PARTS LIST**

<u>Mark No.</u>	<u>Description</u>	<u>Part No.</u>	<u>Mark No.</u>	<u>Description</u>	<u>Part No.</u>
1	•••••		⚠ 8	Power Cord	See Contrast table (2)
2	Pad Front	DHA1698	NSP 9	Polyethylene Bag	AHG7117
3	Pad Rear	DHA1699	NSP 10	Label	See Contrast table (2)
4	Pad Top	DHA1705			
5	Instruction Manual(M800)	See Contrast table (2)	NSP 11	Warranty Card	See Contrast table (2)
			NSP 12	User Registration Sheet	DRM1262
6	Packing Case	See Contrast table (2)			
7	Sheet	RHX1006			

**(2) CONTRAST TABLE**

DJM-800/WYXJ5, DJM-800/TLXJ and DJM-800/KUCXJ are constructed the same except for the following

Mark	No.	Symbol and Description	DJM-800 /KUCXJ	DJM-800 /WYXJ5	DJM-800 /TLXJ
	5	Instruction Manual (English)	DRB1393	Not used	Not used
	5	Instruction Manual (English, French German, Italian, Dutch, Spanish)	Not used	DRB1392	Not used
	5	Instruction Manual (English, Spanish, Chinese)	Not used	Not used	DRB1394
	6	Packing Case	DHG2559	DHG2558	DHG2560
⚠	8	Power Cord	DDG1028	ADG7062	ADG7062
NSP	10	Label	DRW2311	VRW1629	VRW1629
NSP	11	Warranty Card	ARY7043	Not used	Not used

# 2.2 EXTERIOR SECTION

1

2

3

4

A

B

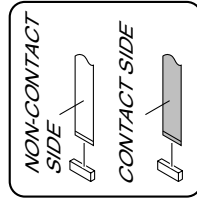
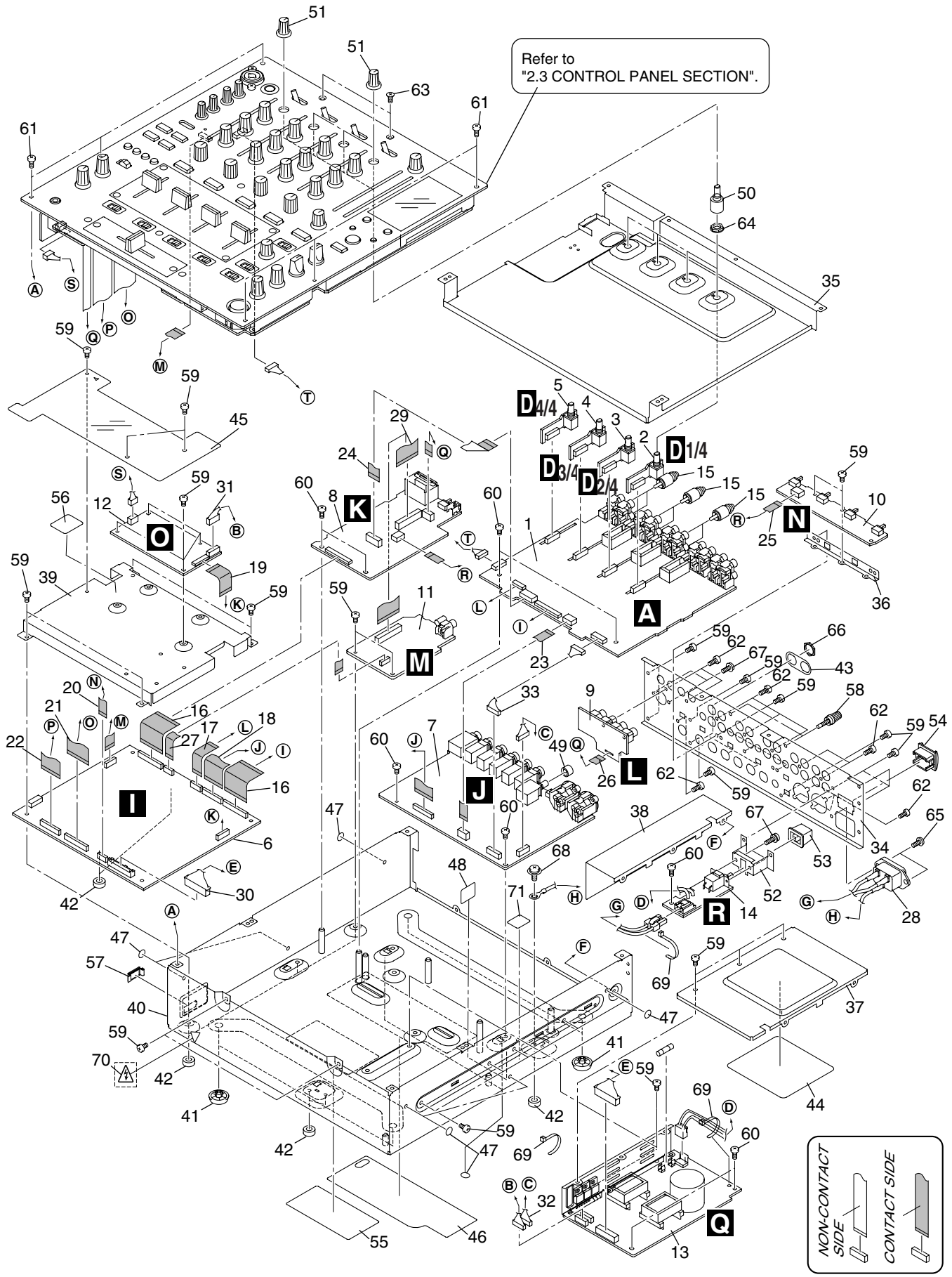
C

D

E

F

Refer to  
"2.3 CONTROL PANEL SECTION".



1

2

3

4



## EXTERIOR SECTION PARTS LIST

Mark No.	Description	Part No.	Mark No.	Description	Part No.
1	INPUT Assy	DWX2535	37	Shield Case	DNH2697
2	TRIM 4 Assy	DWX2551	38	Shield Case AC	DNH2698
3	TRIM 3 Assy	DWX2550	39	Shield Case DSP	DNH2699
4	TRIM 2 Assy	DWX2549	40	Chassis Assy	DXB1881
5	TRIM 1 Assy	DWX2548	41	Leg Assy	REC-434
6	DSP Assy	DWX2534	NSP 42	Spacer	AEB7092
7	OUTPUT Assy	DWX2544	43	PHONE Spacer	DEC2914
8	DIGIC Assy	DWX2547	44	Barrier A	DEC2915
9	DIGIA Assy	DWX2555	45	Styling Sheet	DEC2917
10	SLSW Assy	DWX2536	46	Bottom Cover	DEC2918
11	DIGIB Assy	DWX2546	47	Blind Label	DEC2928
12	HPAMP Assy	DWX2556	48	Barrier B	DEC2944
△	13 POWER SUPPLY Unit	DWR1433	49	Select Knob (S)	DAA1166
14	ACSW Assy	DWX2545	50	Extension Shaft	DNK4691
15	Short Pin Plug	AKM7008	51	Rotary SW Knob S	DAA1204
16	Flexible Cable (31P)	DDD1316	52	Bracket PSW	DNF1730
17	Flexible Cable (12P)	DDD1317	53	POWER Knob	DAC2306
18	Flexible Cable (25P)	DDD1318	54	POWER Knob Guard	DNK4534
19	Flexible Cable (16P)	DDD1319	NSP 55	LABEL	See Contrast table (2)
20	Flexible Cable (10P)	DDD1321	56	CAUTION Label	DRW2312
21	Flexible Cable (30P)	DDD1322	57	Blind Cap	DNK4218
22	Flexible Cable (25P)	DDD1323	58	Terminal Screw	AKE-031-0
23	Flexible Cable (7P)	DDD1326	59	Screw	BBZ30P060FTB
24	Flexible Cable (12P)	DDD1327	60	Screw	BBZ30P080FTC
25	Flexible Cable (6P)	DDD1328	61	Screw	BCZ30P080FTB
26	Flexible Cable (7P)	DDD1329	62	Screw	BPZ30P080FTB
27	Flexible Cable (10P)	DDD1333	63	Screw	CCZ30P060FTB
△	28 AC Inlet Assy	See Contrast table (2)	64	Flange Nut M7	DBN1011
29	Flexible Cable (24P)	DDD1330	65	Screw	IBZ30P080FTB
30	Connector Assy(10P-12P)	DKP3763	66	Nut	NKX2FTC
31	Connector Assy	PF05EE-S22	67	Screw	PMH30P100FTB
32	Connector Assy	PF05EE4S32	68	Screw	PMH40P080FTC
33	Connector Assy	PF06EE-D12	69	Binder (SKB-90BK)	ZCA-SKB90BK
NSP 34	Rear Panel	See Contrast table (2)	NSP 70	Caution LABEL	See Contrast table (2)
35	Bracket TRIM	DNF1728	NSP 71	Earth LABEL	See Contrast table (2)
36	Bracket SSW	DNF1729			

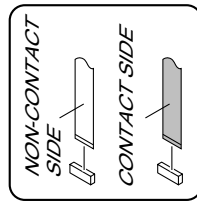
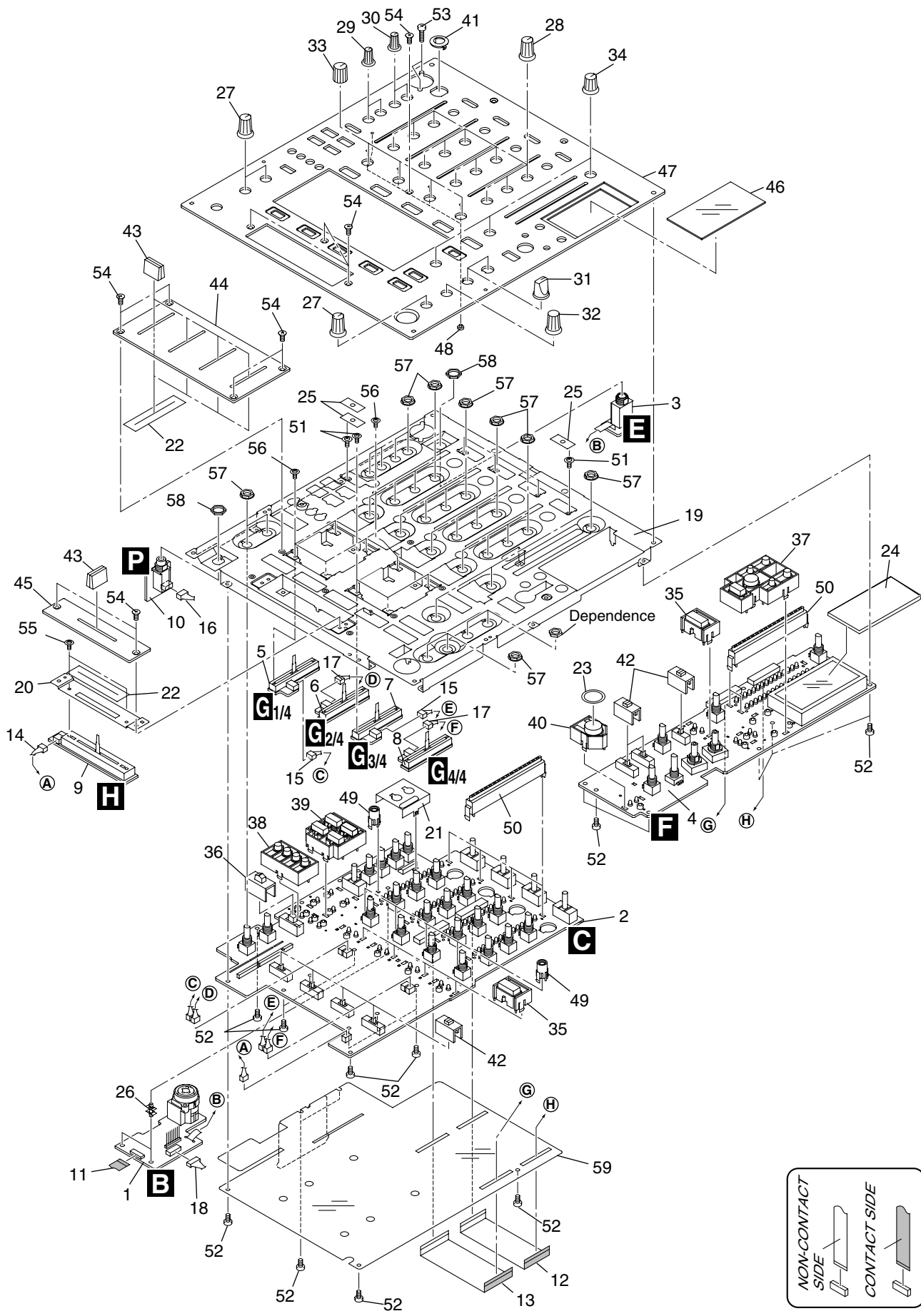
### (2) CONTRAST TABLE

DJM-800/WYXJ5, /TLXJ and DJM-800/KUCXJ are constructed the same except for the following :

Mark	No.	Symbol and Description	DJM-800 /KUCXJ	DJM-800 /WYXJ5	DJM-800 /TLXJ
△	28	AC Inlet Assy	DKP3761	DKP3762	DKP3762
NSP	34	Rear Panel	DNC1800	DNC1789	DNC1791
NSP	55	LABEL	DRW2294	DRW2293	DRW2319
NSP	70	Caution LABEL	DRW1975	Not used	Not used
NSP	71	Earth LABEL	DRW2276	Not used	Not used

# 2.3 CONTROL PANEL SECTION

A  
B  
C  
D  
E  
F



5 6  
**CONTROL PANEL SECTION PARTS LIST**

<u>Mark No.</u>	<u>Description</u>	<u>Part No.</u>
1	MIC 1 Assy	DWX2542
2	PANEL 1 Assy	DWX2552
3	MIC 2 Assy	DWX2543
4	PANEL 2 Assy	DWX2554
5	CHFD 1 Assy	DWX2537
6	CHFD 2 Assy	DWX2538
7	CHFD 3 Assy	DWX2539
8	CHFD 4 Assy	DWX2540
9	CRSFD Assy	DWX2541
10	HP JACK Assy	DWX2553
11	Flexible Cable (12P)	DDD1320
12	Flexible Cable (27P)	DDD1324
13	Flexible Cable (30P)	DDD1325
14	Housing Wire Assy	PF03PP-D12
15	Housing Wire Assy	PF04PP-D05
16	Housing Wire Assy	PF04PP-D20
17	Housing Wire Assy	PF04PP4D05
18	Housing Wire Assy	PF05FF-D25
NSP 19	Panel Stay	DND1254
20	CRF Stay	DNF1726
21	MIC Stay	DNF1727
22	Fader Packing	DEC2903
23	SW Packing	DEC2929
24	Barrier (FL)	DEC2943
25	SW Packing	DED1177
NSP 26	PC Support	VEC1508
27	Rotary SW Knob (A)	DAA1175
28	Rotary SW Knob (B)	DAA1176
29	Rotary SW Knob S (A)	DAA1177
30	Rotary SW Knob S (B)	DAA1178
31	Select Knob	DAA1205
32	Rotary SW Knob (C)	DAA1180
33	Rotary SW Knob (HM)	DAA1197
34	Rotary SW Knob (MA)	DAA1198
35	CUE Knob	DAC2215
36	Slide SW Cap (A)	DAC2219
37	SET Knob (TAP)	DAC2300
38	SET Knob (FS)	DAC2301
39	SET Knob (HM)	DAC2302
40	EFFECT Knob	DAC2304
41	MIC Cap	DAC2309
42	Slide SW Cap	DAC2310
43	Slider Knob (L2)	DAC2371
44	CHF Panel	DAH2426
45	CRF Panel	DAH2427
46	Disply Panel	DAH2428
47	Control Panel	DNB1144
48	LENS	DNK4532
49	LENS Holder	DNK4533

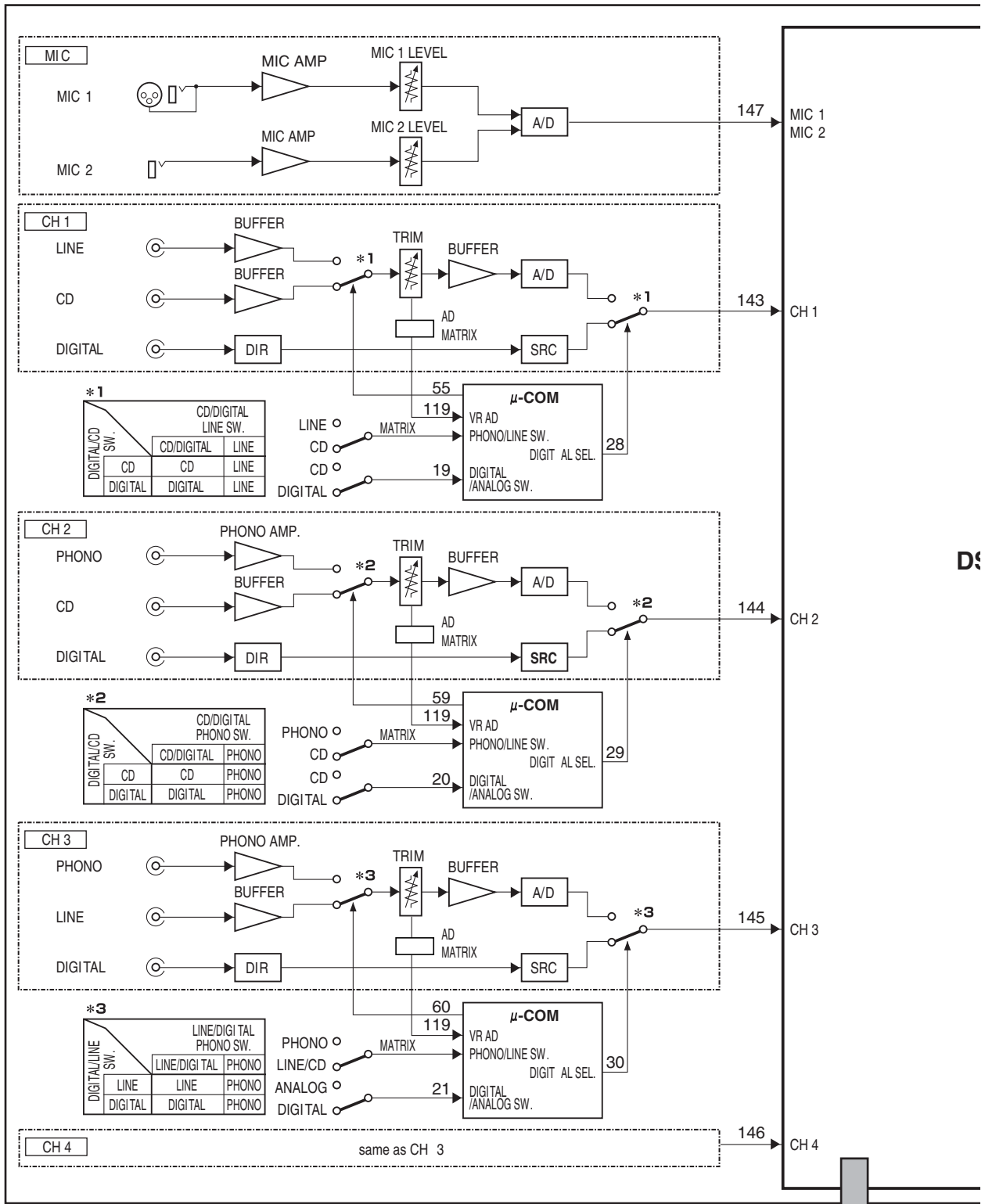
<u>Mark No.</u>	<u>Description</u>	<u>Part No.</u>
50	LEVEL Meter Assy	DXB1882
51	Screw	AMZ26P040FTC
52	Screw	BBZ30P060FTB
53	Screw	BPZ30P120FTB
54	Screw	CCZ30P060FTB
55	Screw	DBA1262
56	Screw	DBA1298
57	Flange Nut M9	DBN1008
58	Nut	NKX2FTC

A  
B  
C  
D  
E  
F

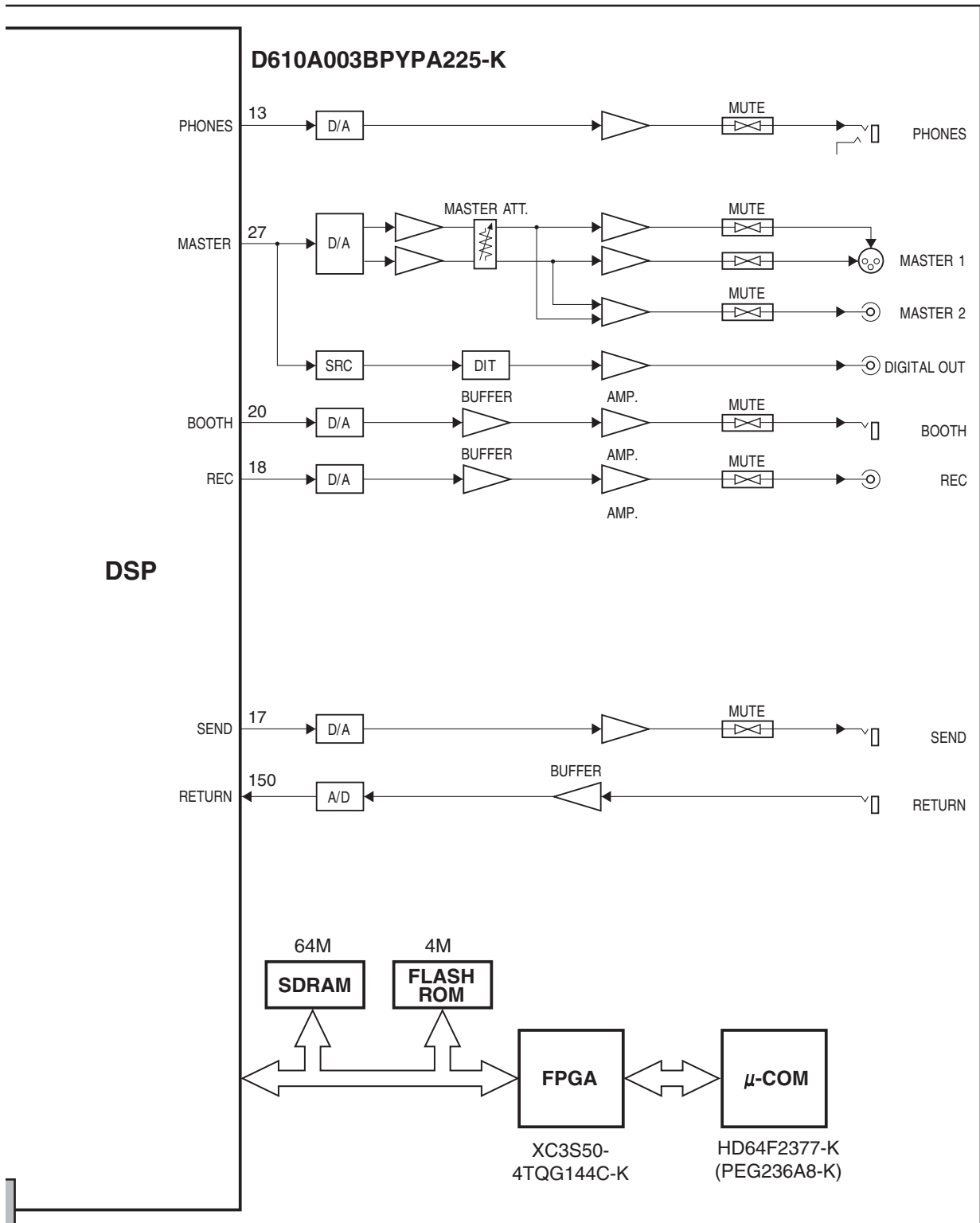
# 3. BLOCK DIAGRAM AND SCHEMATIC DIAGRAM


## 3.1 OVERALL BLOCK DIAGRAM\_1

### A BLOCK DIAGRAM



To DSP BLOCK DIAGRAM

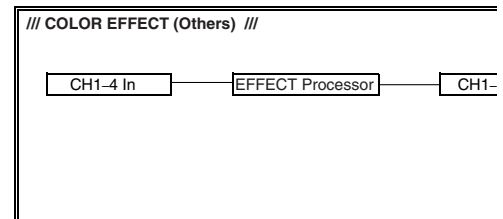
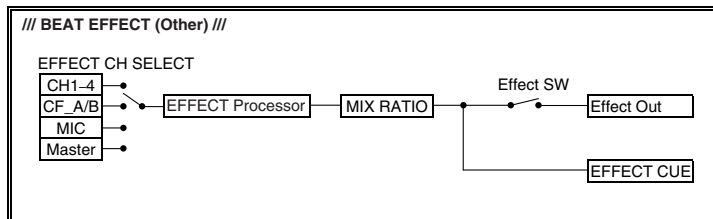
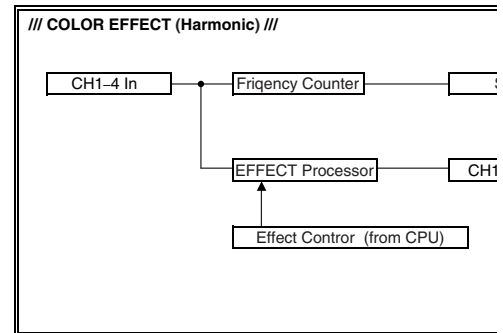
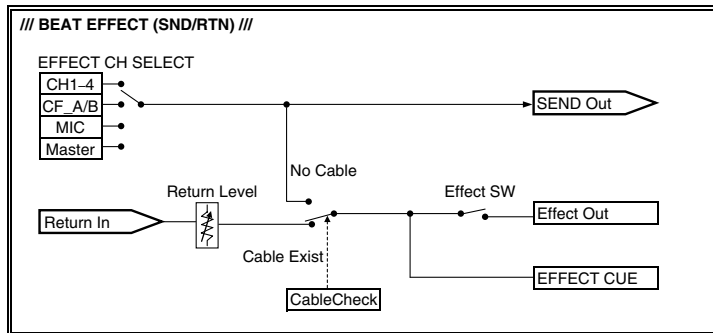
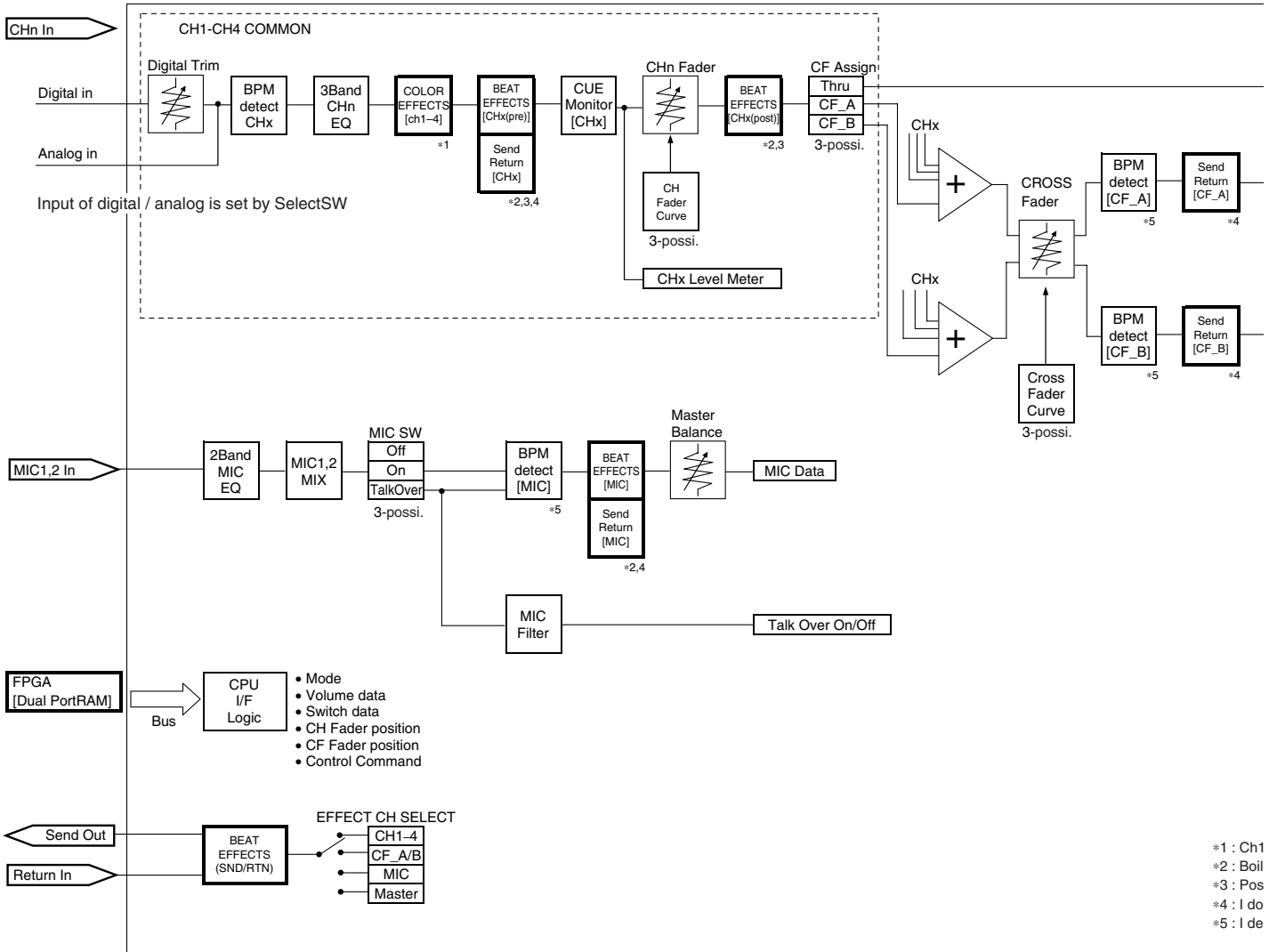


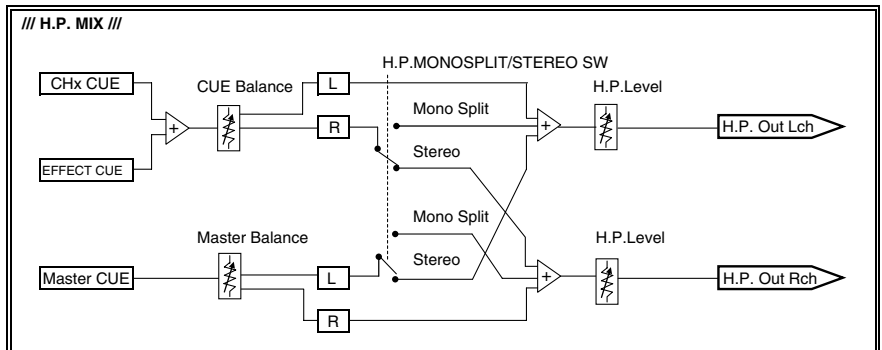
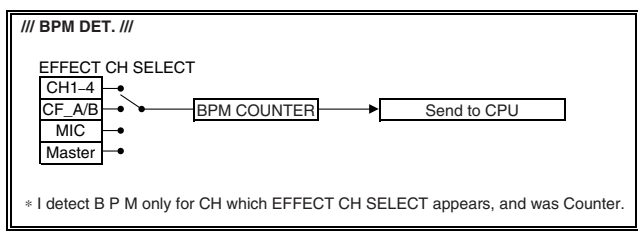
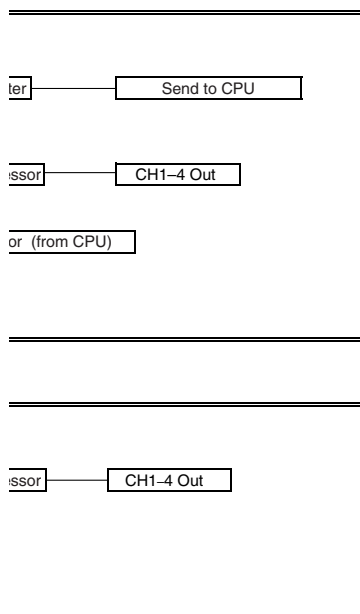
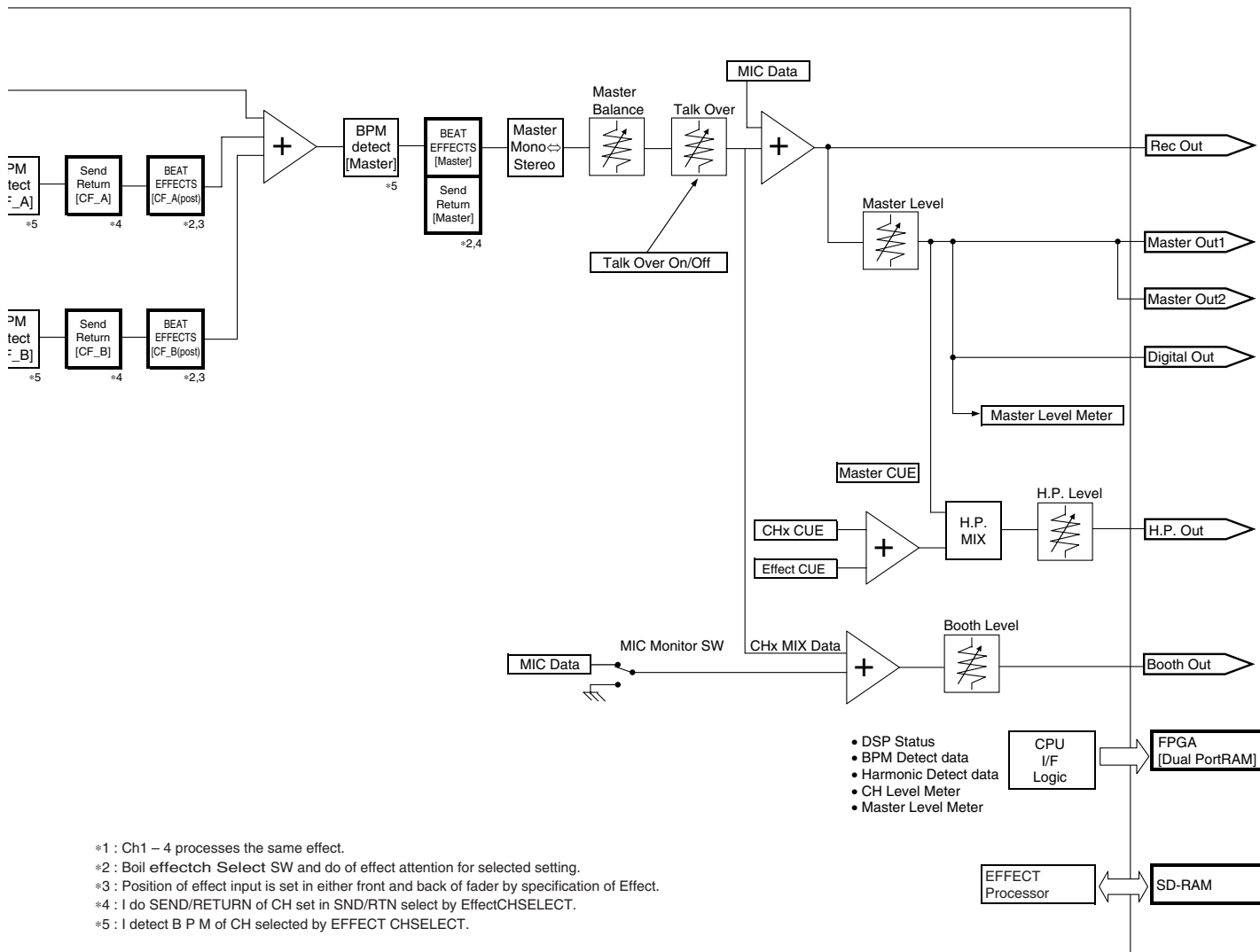
- When ordering service parts, be sure to refer to "EXPLODED VIEWS and PARTS LIST" or "PCB PARTS LIST".
- The ⚠ mark found on some component parts indicates the importance of the safety factor of the part. Therefore, when replacing, be sure to use parts of identical designation.
-  : The power supply is shown with the marked box.

# 3.2 OVERALL BLOCK DIAGRAM\_2

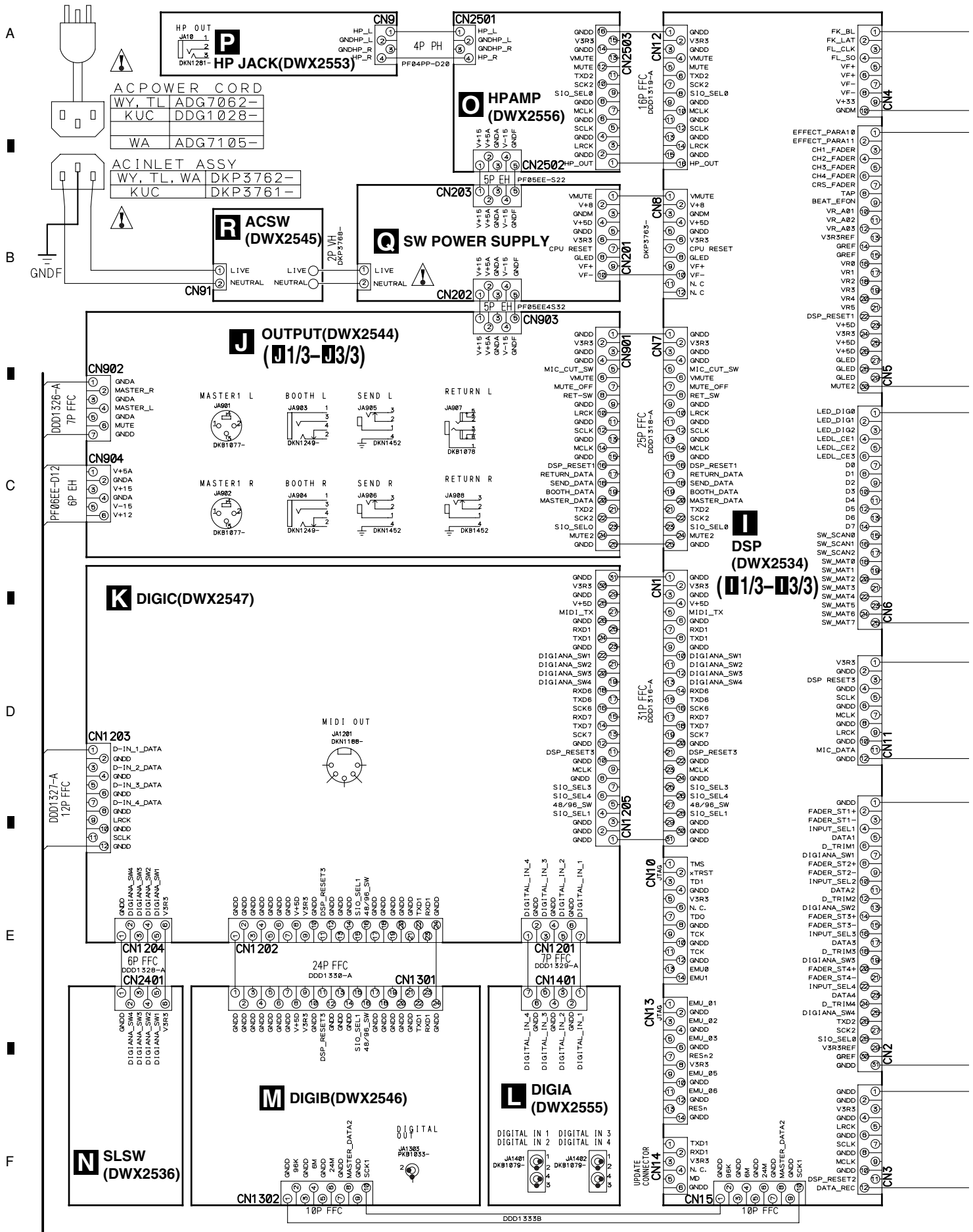
## DSP BLOCK DIAGRAM

DJM-800 Audio DSP

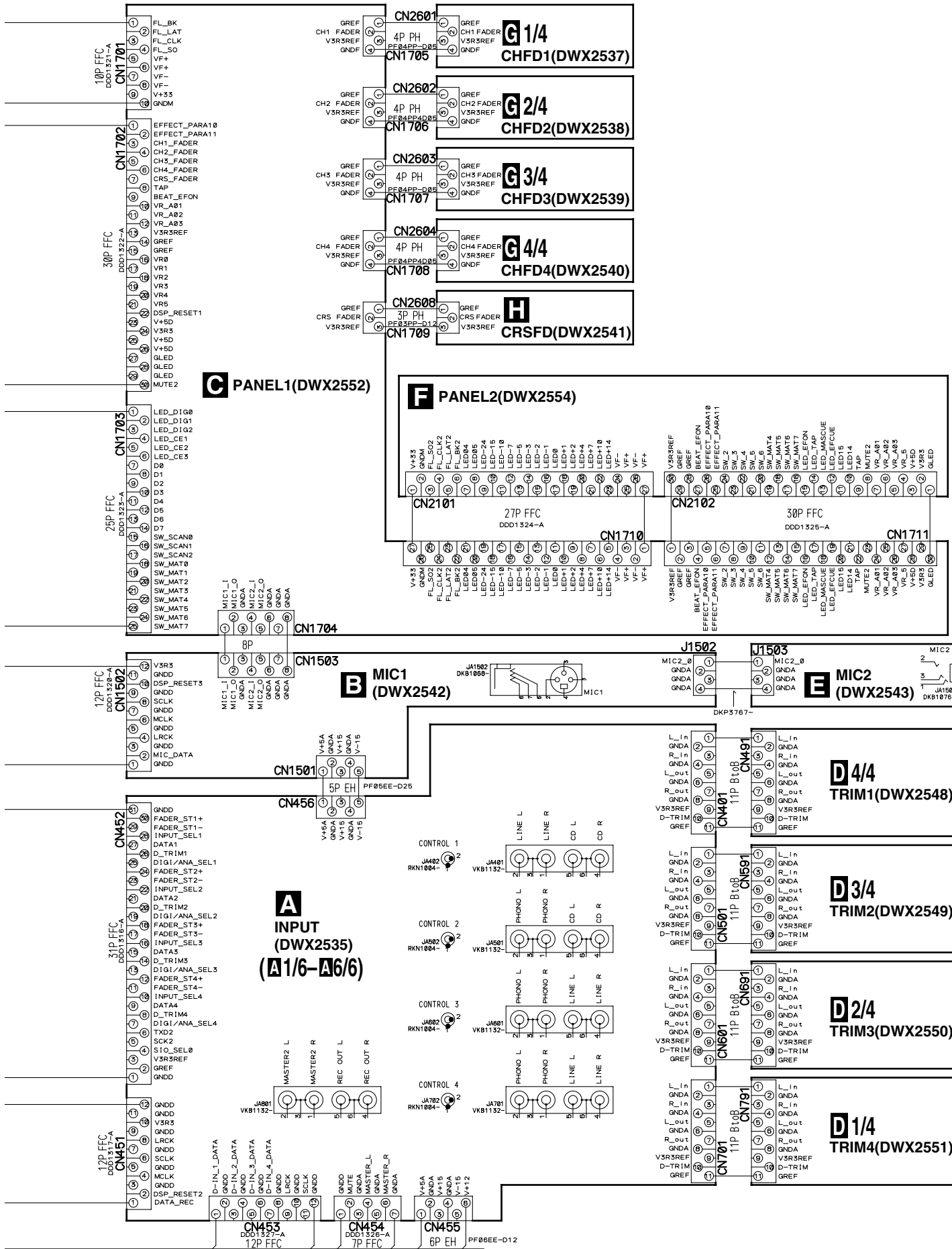




# 3.3 OVERALL WIRING DIAGRAM





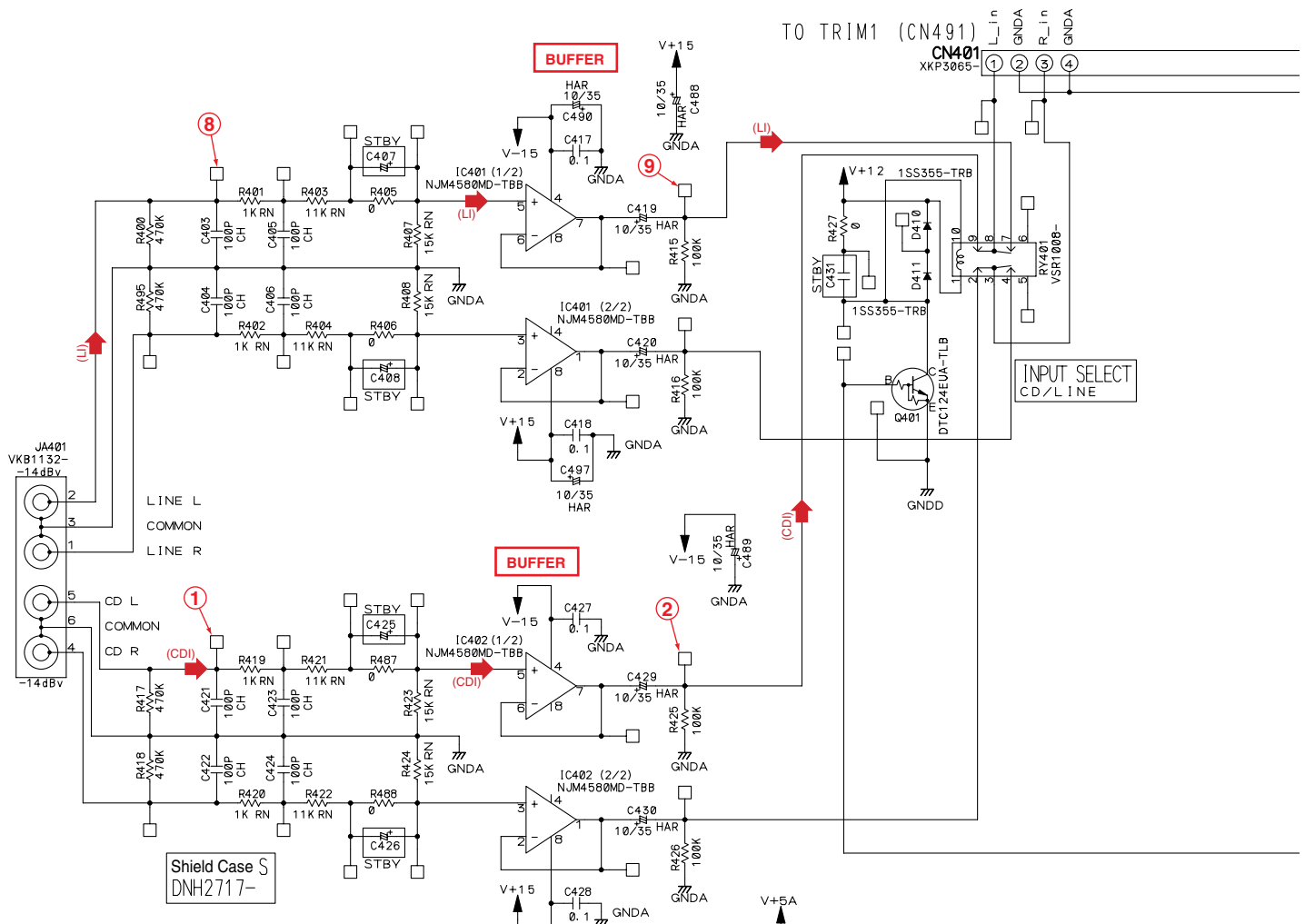


A  
B  
C  
D  
E  
F

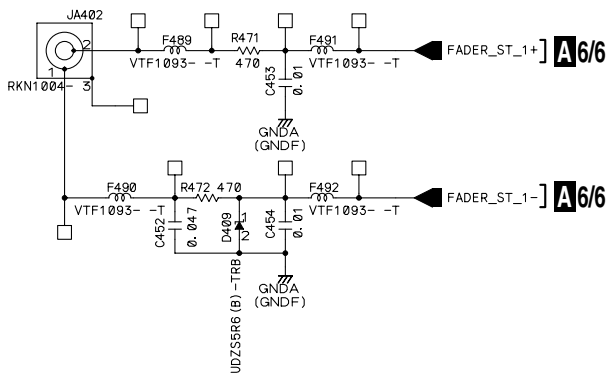
# 3.4 INPUT ASSY (1/6)

## A 1/6 INPUT ASSY(DWX2535)

D 4/4 CN491



### CONTROL 1



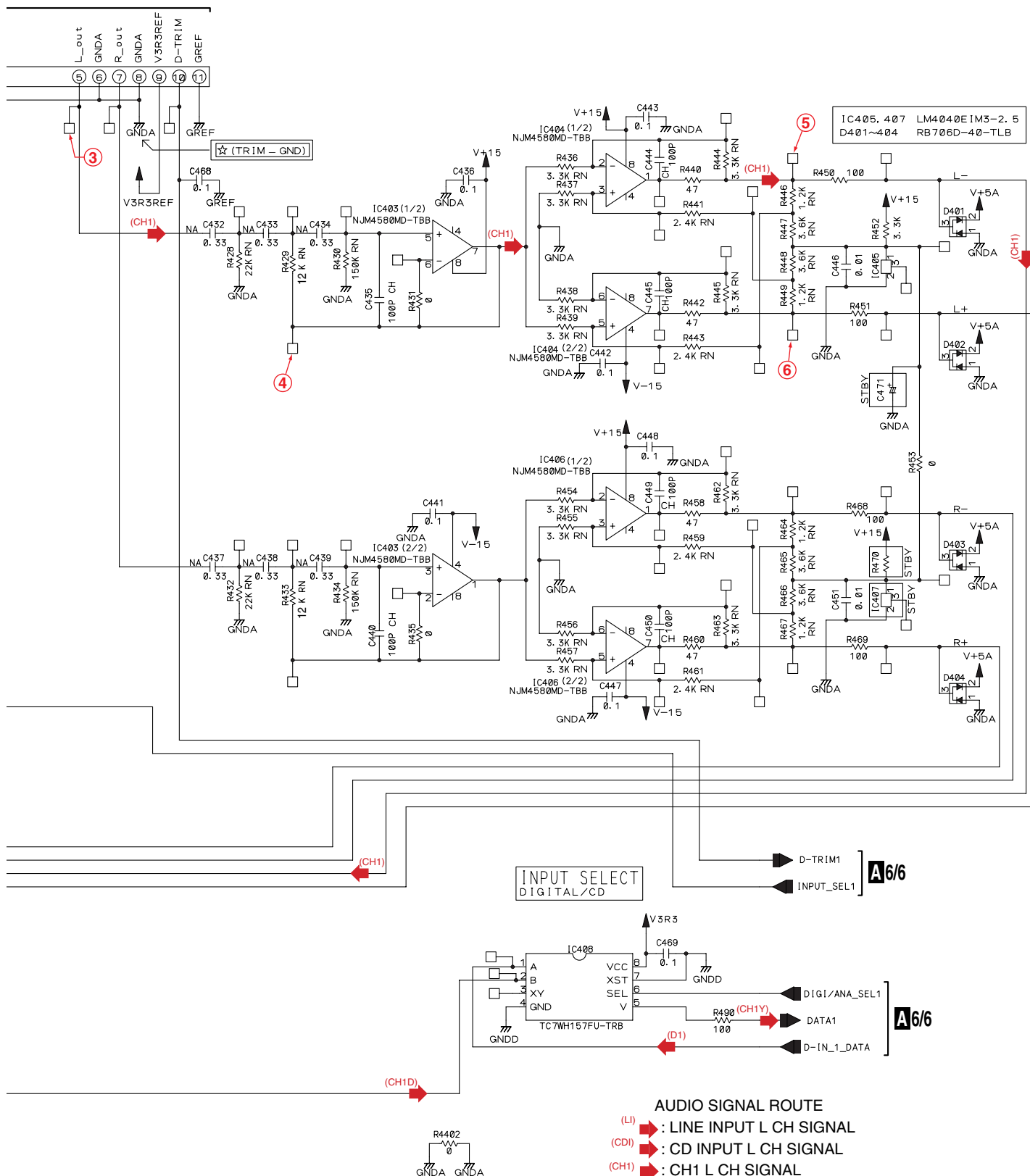
Notes   is STBY

RN		RN1/16SE****D	Ω
		RS1/16S****J	Ω
CH		CCSRCH	F
NA		CFTNA	F
		CKSRYB	μF
HAR		CEHAR	μF

## A 1/6

DJM-800

A2/6,3/6,4/6,6/6

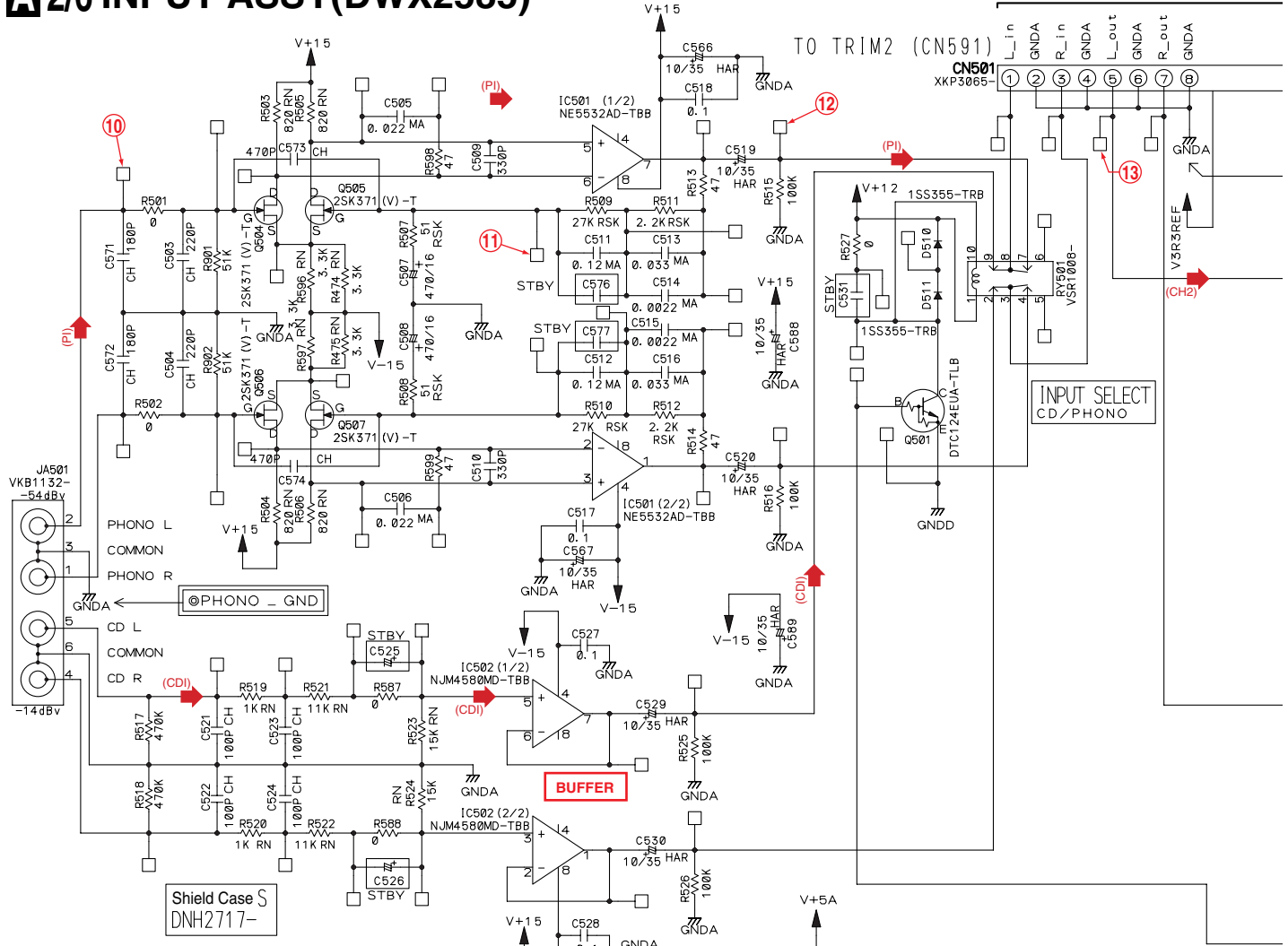


- AUDIO SIGNAL ROUTE**
- (LI) : LINE INPUT L CH SIGNAL
  - (CDI) : CD INPUT L CH SIGNAL
  - (CH1) : CH1 L CH SIGNAL
  - (D1) : CH1 DIGITAL SIGNAL
  - (CH1Y) : CH1 Y CH SIGNAL

# 3.5 INPUT ASSY (2/6)

## A 2/6 INPUT ASSY(DWX2535)

D 3/4 CN591



Shield Case S  
DNH2717-

CONTROL 2

BUFFER

INPUT SELECT  
CD/PHONO

(A/D Analogue GND)

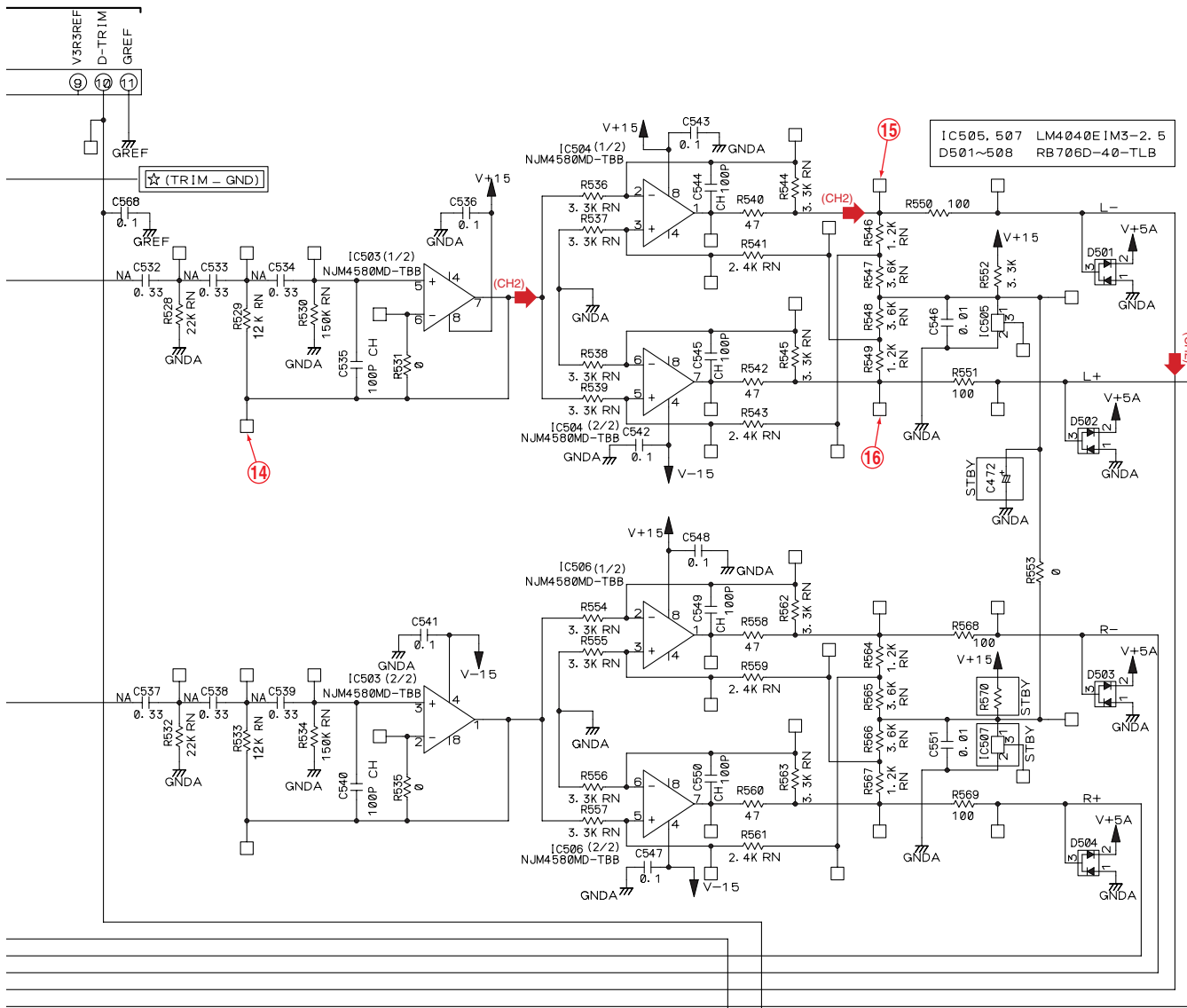
CH\_A/D

Notes   is STBY

RN	~	RN1/16SE****D	Ω
RSK	~	RSK1/16S***J	Ω
	~	RS1/16S***J	Ω
CH		CCSRCH	F
MA		CQMA	F
NA		CFTNA	F
		CKSRYB	μF
		CEHAR	μF
		CEHAT	μF

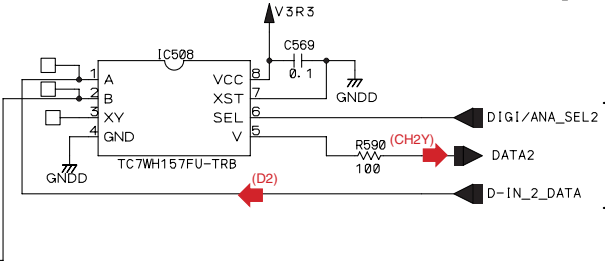
## A 2/6

A1/6, 3/6, 4/6, 6/6



INPUT SELECT  
DIGITAL/CD

A/6/6



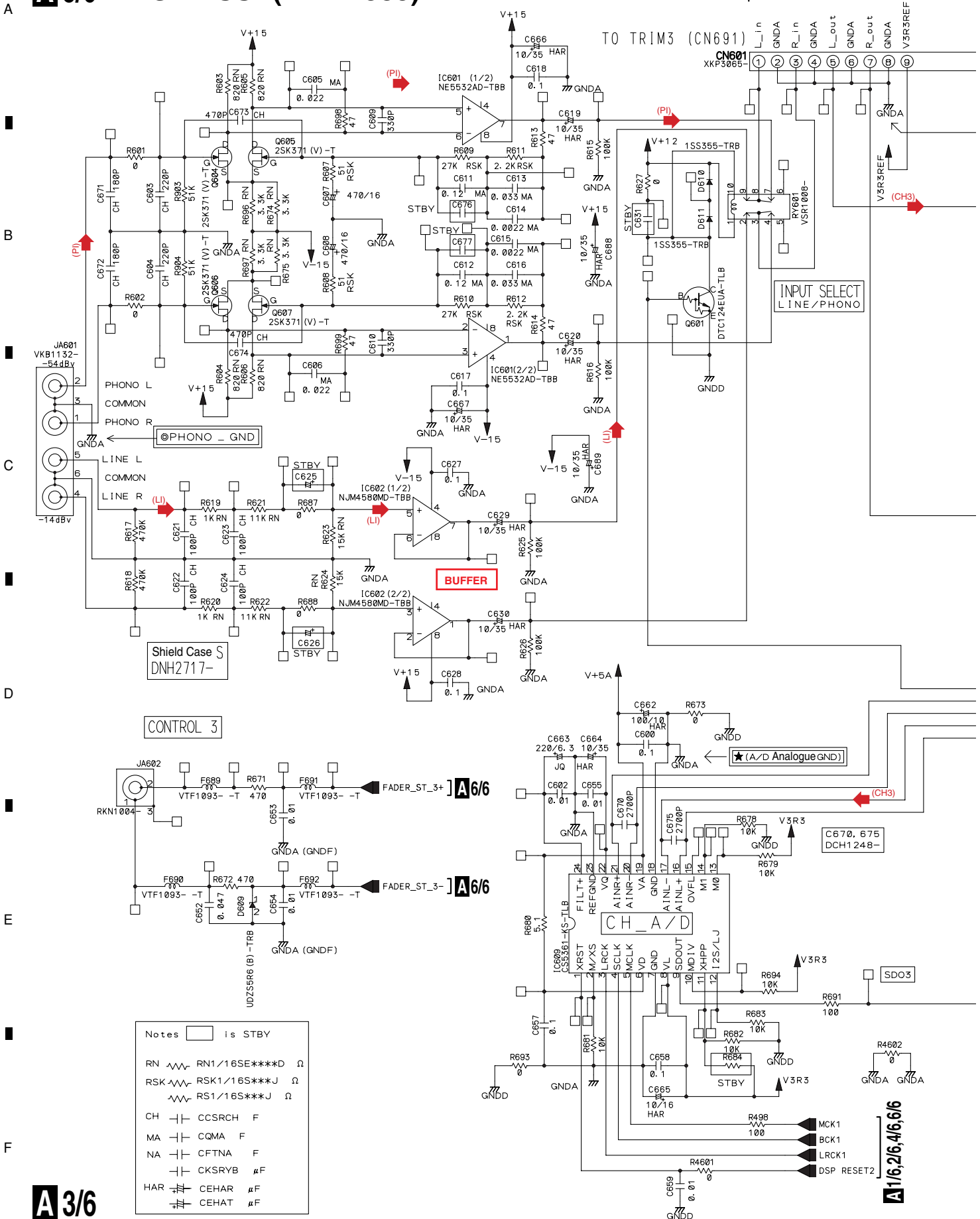
A/6/6

- AUDIO SIGNAL ROUTE**
- (PI) → : PHONO INPUT L CH SIGNAL
  - (CDI) → : CD INPUT L CH SIGNAL
  - (CH2) → : CH2 L CH SIGNAL
  - (D2) → : CH2 DIGITAL SIGNAL
  - (CH2Y) → : CH2 Y CH SIGNAL

# 3.6 INPUT ASSY (3/6)

## A 3/6 INPUT ASSY(DWX2535)

D 2/4 CN691

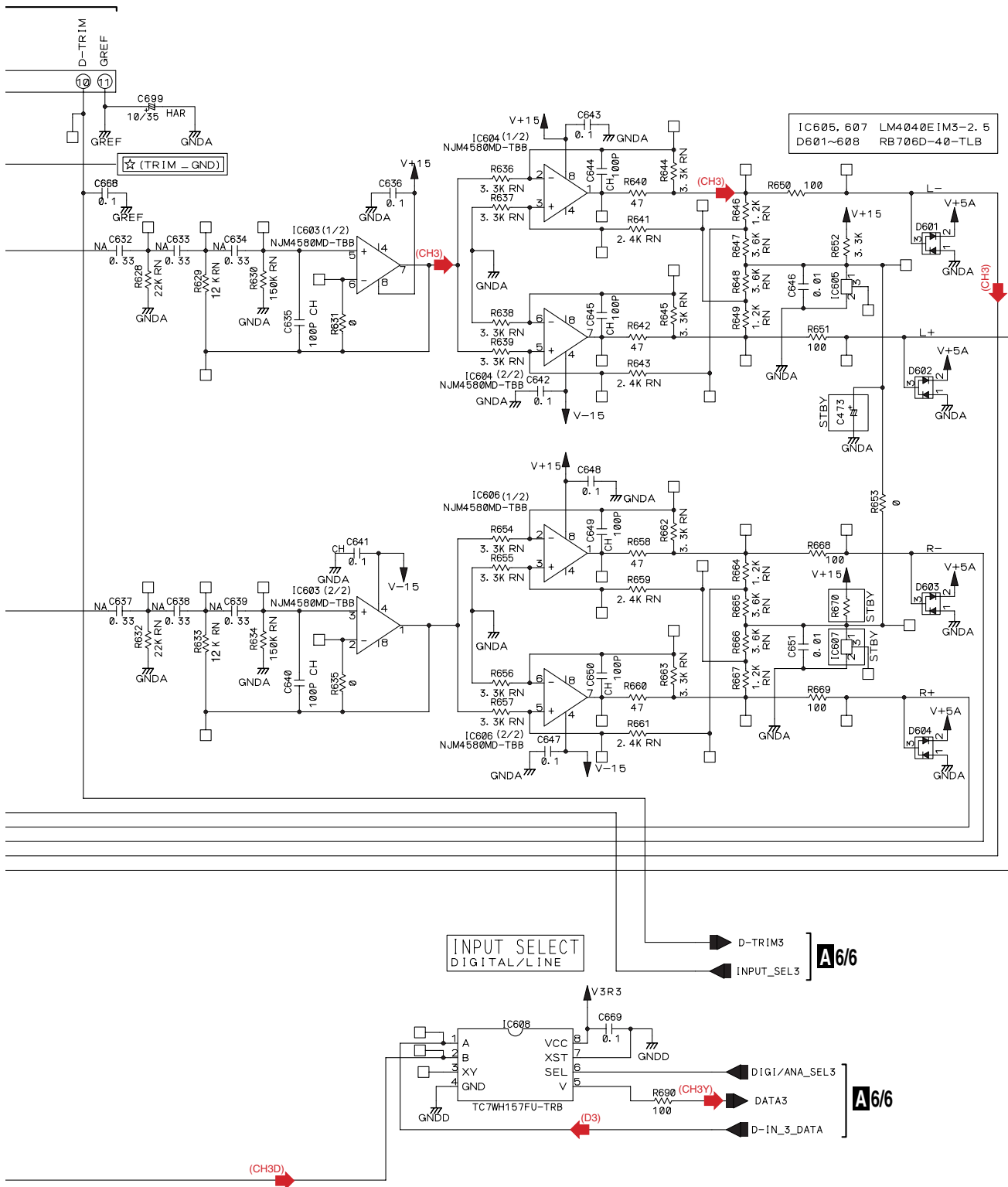


Notes   is STBY

RN		RN1/16SE****D	Ω
RSK		RSK1/16S***J	Ω
RS		RS1/16S***J	Ω
CH		CCSRCH	F
MA		CQMA	F
NA		CFTNA	F
CK		CKSRB	μF
CE		CEHAR	μF
CE		CEHAT	μF

A 3/6

A 1/6, 2/6, 4/6, 6/6



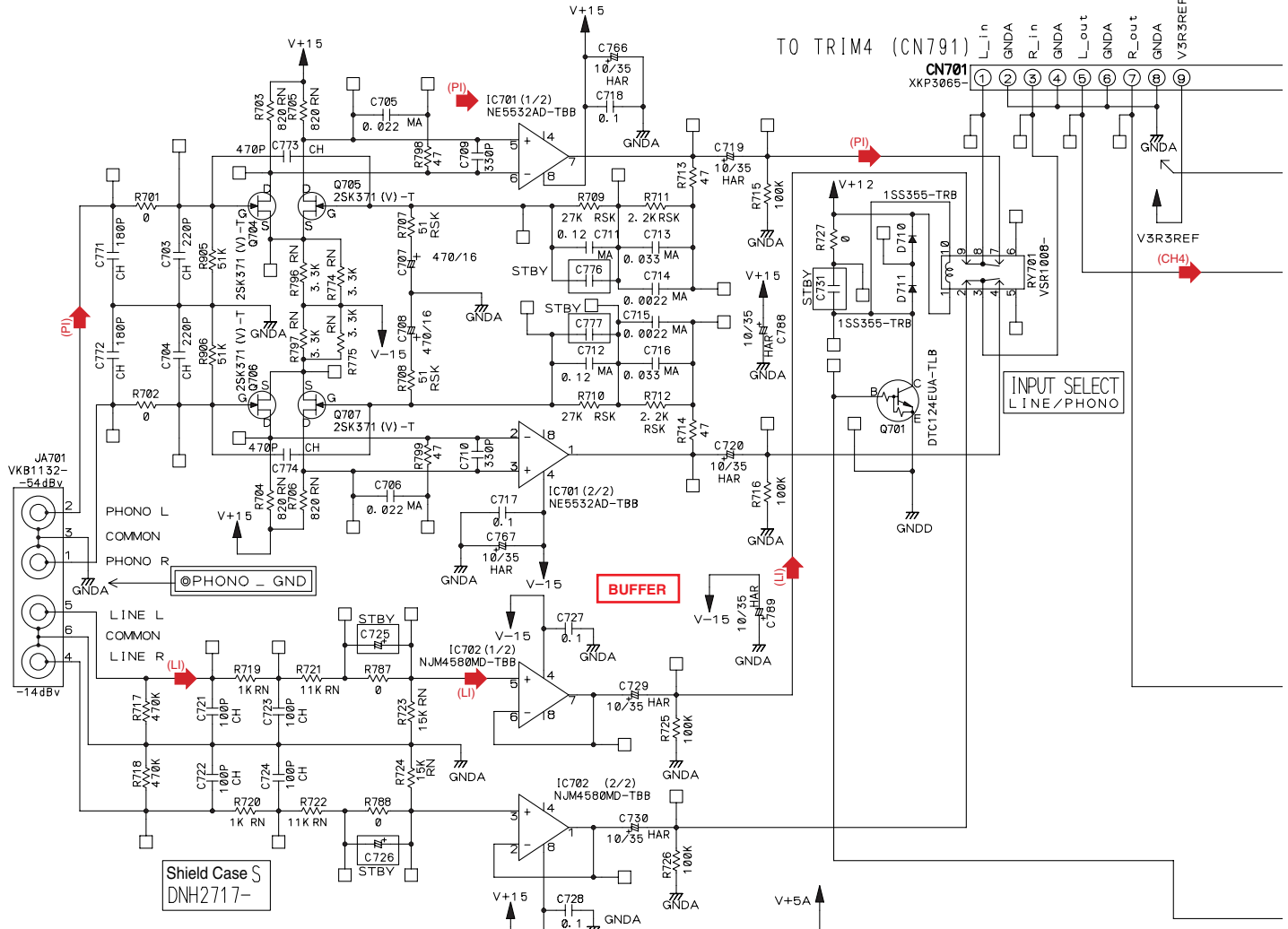
**AUDIO SIGNAL ROUTE**

- (PI) : PHONO INPUT L CH SIGNAL
- (LI) : LINE INPUT L CH SIGNAL
- (CH3) : CH3 L CH SIGNAL
- (D3) : CH3 DIGITAL SIGNAL
- (CH3Y) : CH3 Y CH SIGNAL

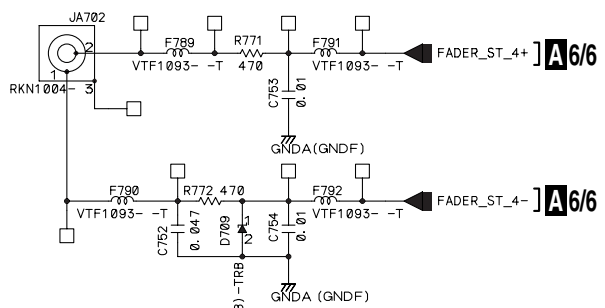
# 3.7 INPUT ASSY (4/6)

## A 4/6 INPUT ASSY (DWX2535)

D 1/4 CN791

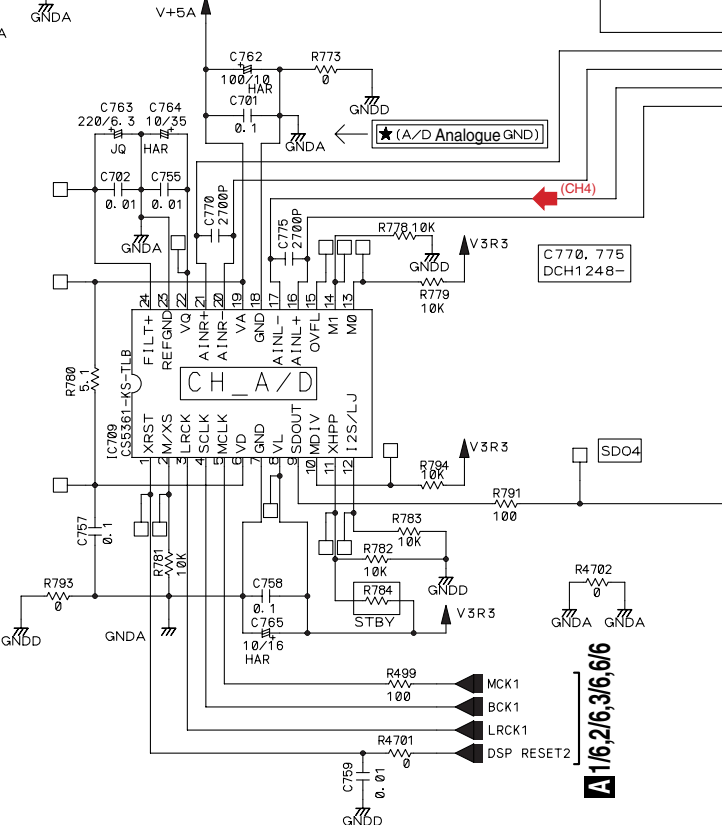


CONTROL 4



Notes

□	is STBY
RN	RN1/16SE***D Ω
RSK	RSK1/16S***J Ω
RS	RS1/16S***J Ω
CH	CCSRCH F
MA	CQMA F
NA	CFTNA F
CK	CKSRYB μF
HAR	CEHAR μF
	CEHAT μF

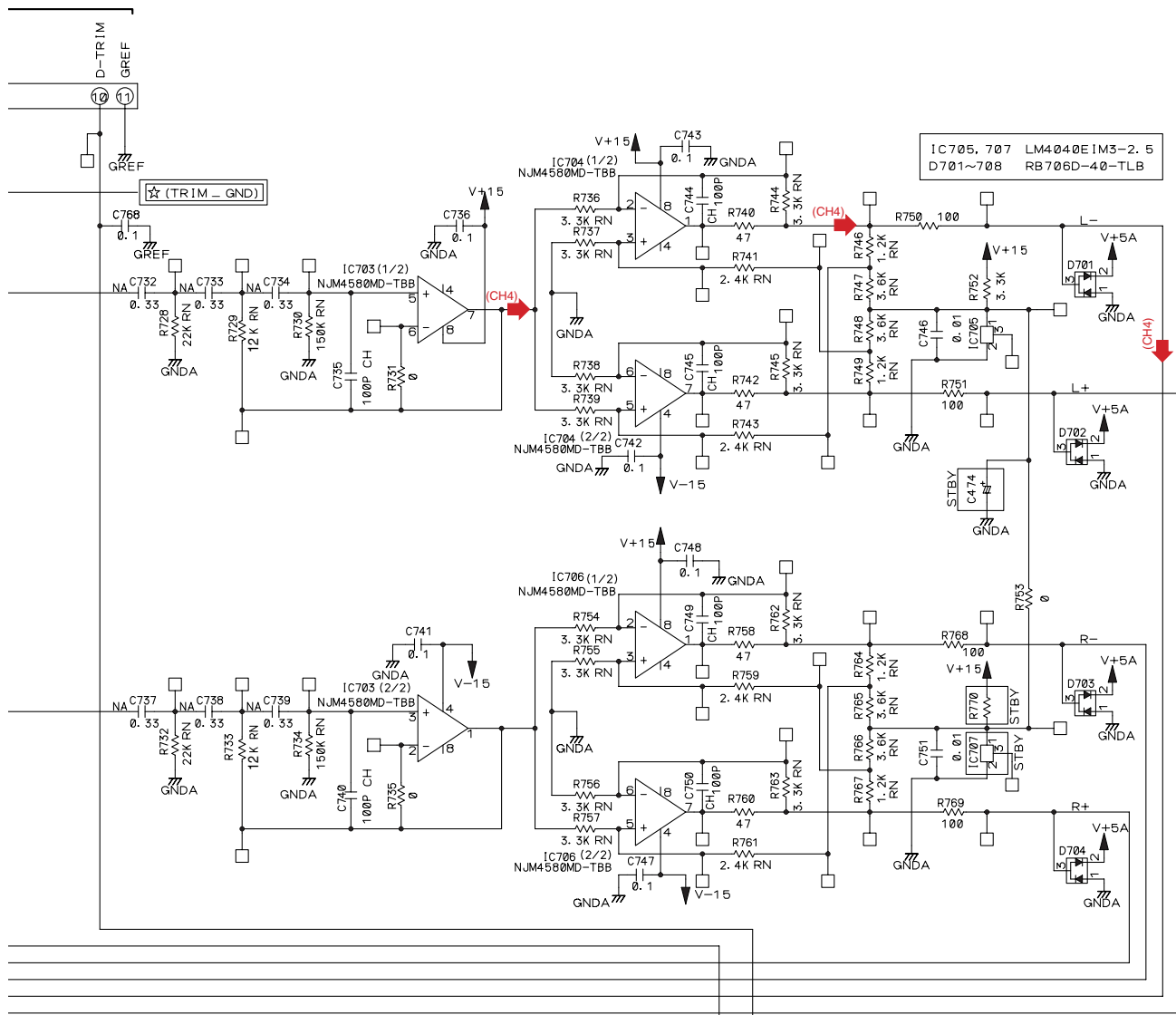


A 1/6, 2/6, 3/6, 6/6

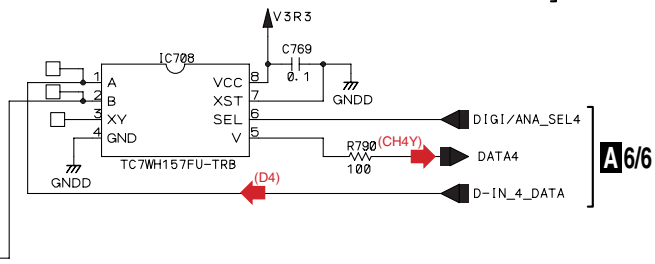
## A 4/6



A  
B  
C  
D  
E  
F



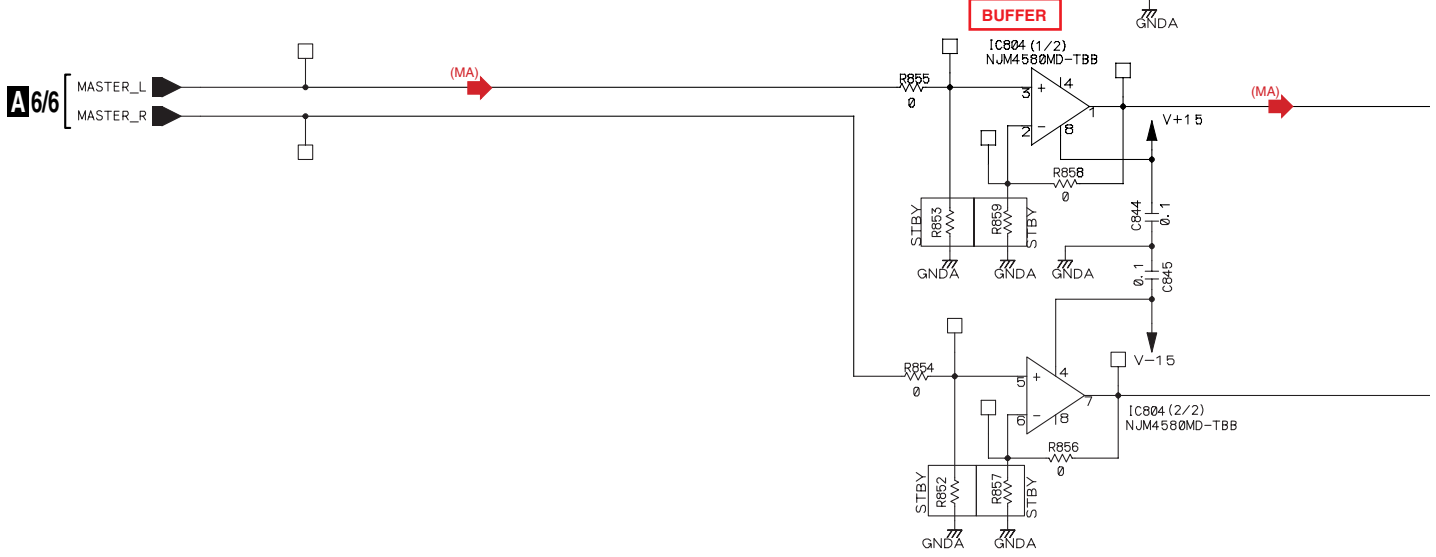
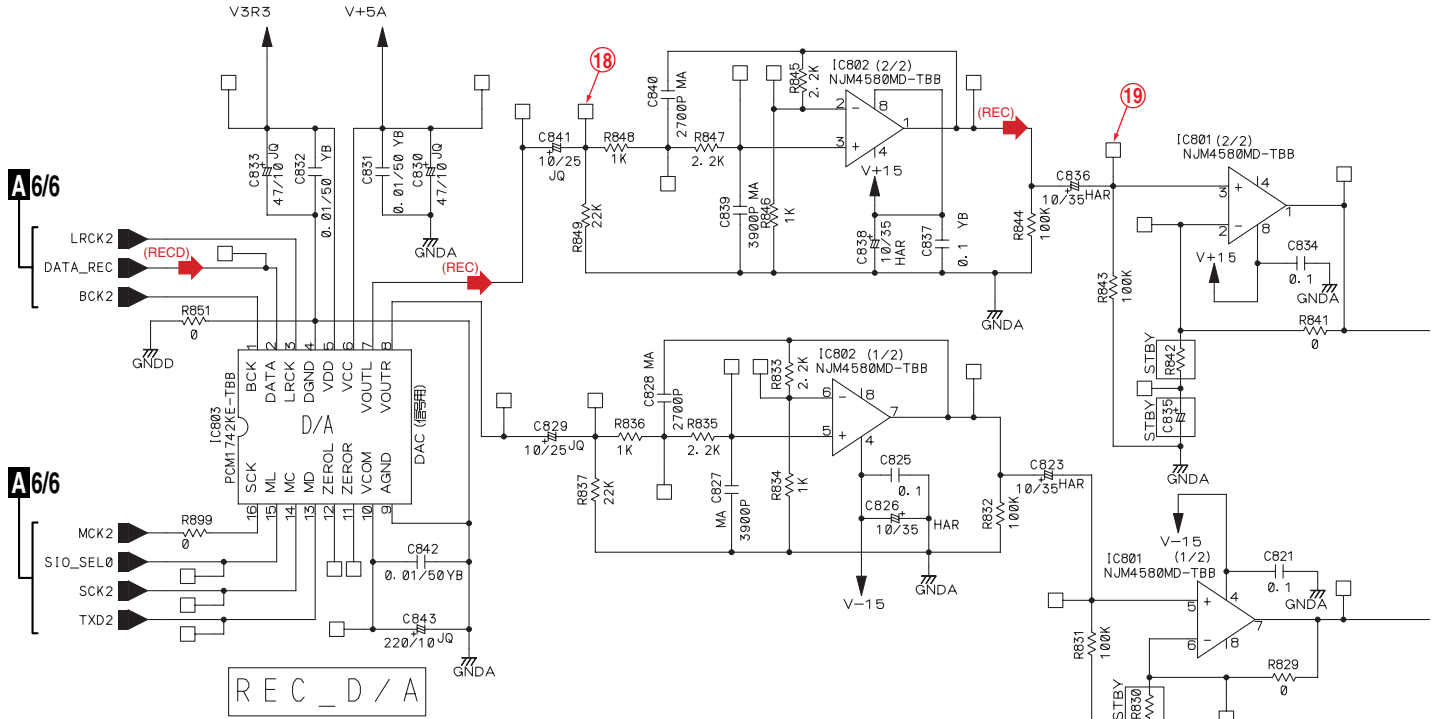
INPUT SELECT  
DIGITAL/LINE



- AUDIO SIGNAL ROUTE**
- (PI) : PHONO INPUT L CH SIGNAL
  - (LI) : LINE INPUT L CH SIGNAL
  - (CH4) : CH4 L CH SIGNAL
  - (D4) : CH4 DIGITAL SIGNAL
  - (CH4Y) : CH4 Y CH SIGNAL


# 3.8 INPUT ASSY (5/6)


## A 5/6 INPUT ASSY (DWX2535)

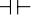


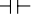
## A 5/6

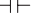
Notes    is STBY

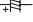
RN  RN1/16SE\*\*\*\*D Ω

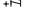
 RS1/16S\*\*\*\*J Ω

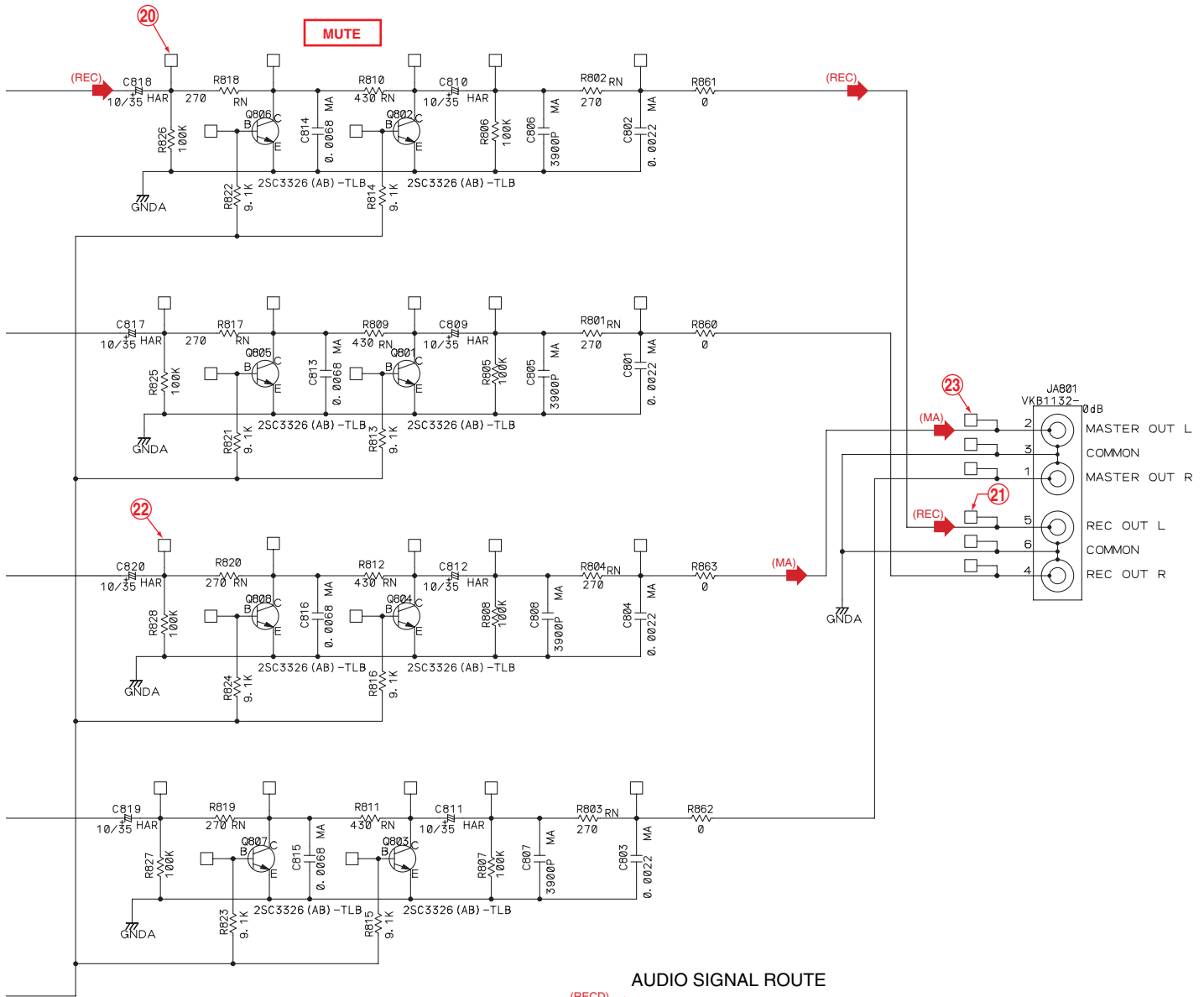
CH  CCSRCH F

MA  CQMA F


 CKSRYB μF


HAR  CEHAR μF


JQ  CEJQ μF



**AUDIO SIGNAL ROUTE**

(RECD)  : REC DIGITAL CH SIGNAL

(REC)  : REC L CH SIGNAL

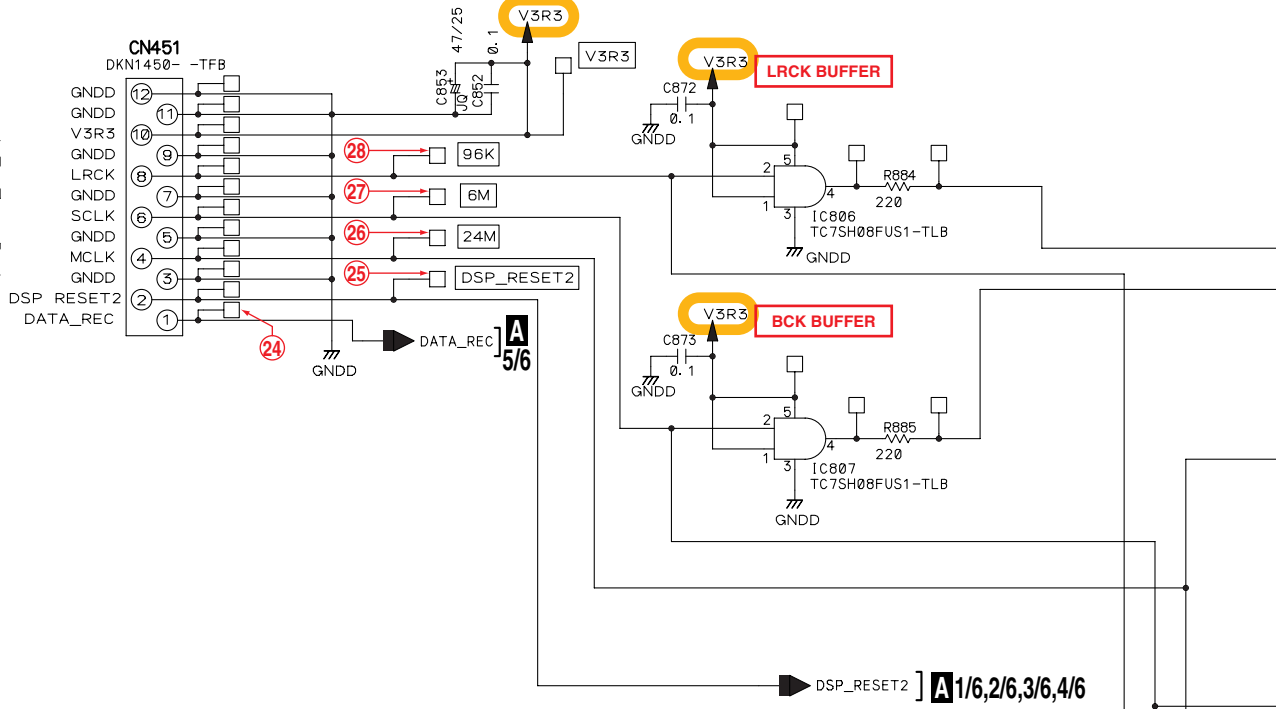
(MA)  : MASTER L CH SIGNAL

# 3.9 INPUT ASSY (6/6)

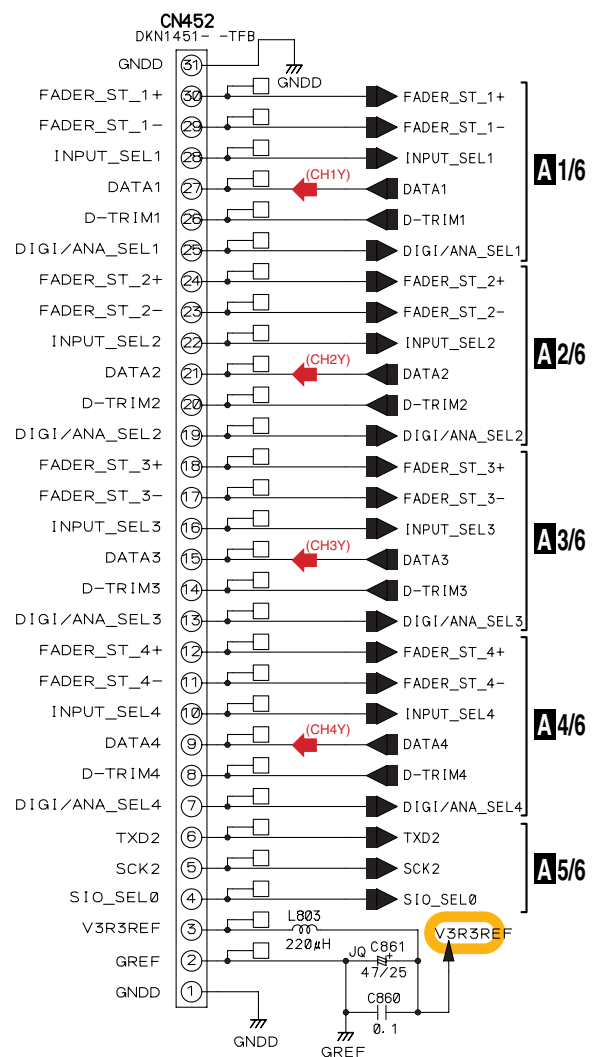
## A 6/6 INPUT ASSY (DWX2535)

A  
B  
C  
D  
E  
F

1/3 CN3  
TO DSP



1/3 CN2  
TO DSP

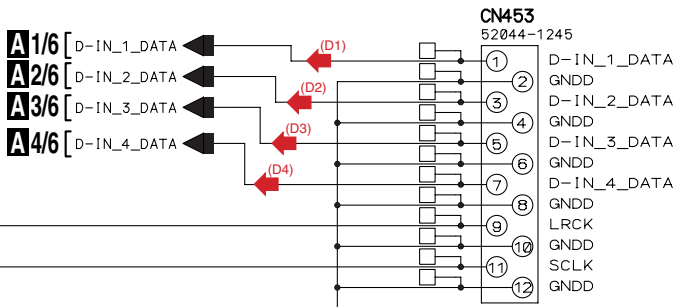


Notes is STBY  
 RS1/16S\*\*\*J Ω  
 CKSRYB µF  
 CEJQ µF

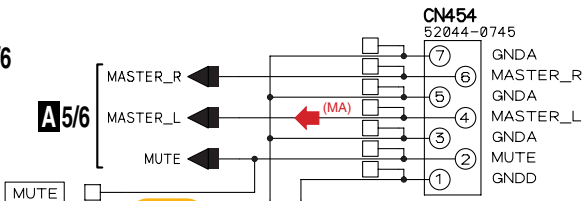
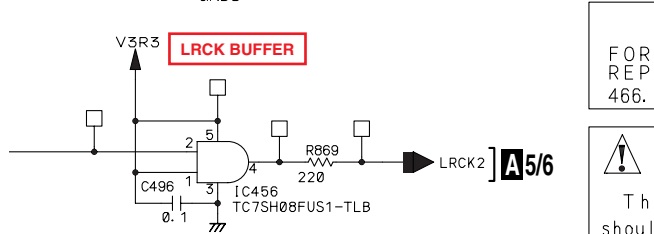
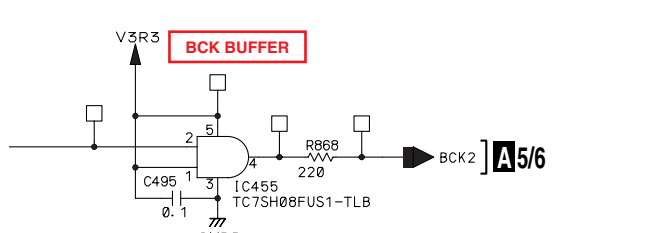
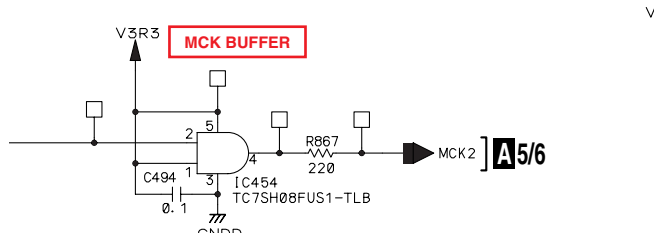
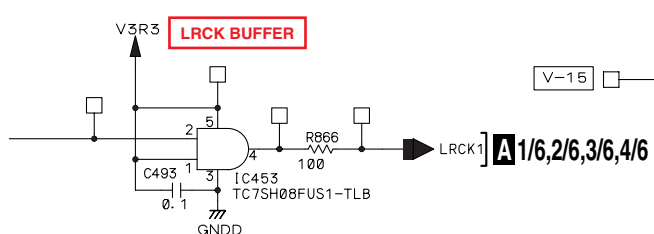
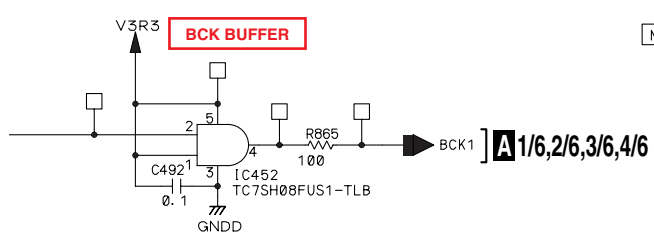
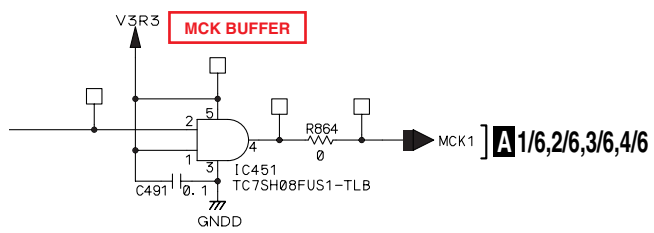
- AUDIO SIGNAL ROUTE**
- (CH1Y) : CH 1 Y CH SIGNAL
  - (CH2Y) : CH 2 Y CH SIGNAL
  - (CH3Y) : CH 3 Y CH SIGNAL
  - (CH4Y) : CH 4 Y CH SIGNAL
  - (D1) : CH1 DIGITAL SIGNAL
  - (D2) : CH2 DIGITAL SIGNAL
  - (D3) : CH3 DIGITAL SIGNAL
  - (D4) : CH4 DIGITAL SIGNAL
  - (MA) : MASTER L CH SIGNAL

## A 6/6

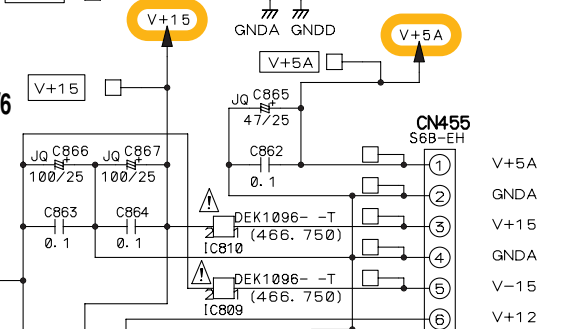
A  
B  
C  
D  
E  
F



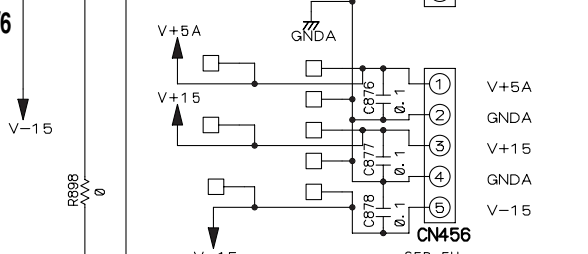
TO DIGIC  
**K** CN1203



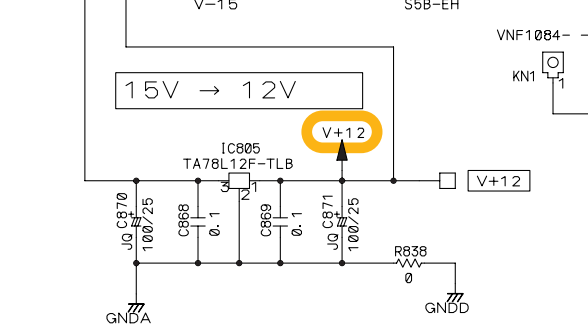
TO OUTPUT  
**J** 1/3 CN902



TO OUTPUT  
**J** 3/3 CN904



TO MIC1  
**B** CN1501



**CAUTION**

FOR CONTINUED PROTECTION AGAINST RISK OF FIRE,  
REPLACE ONLY WITH SAME TYPE NO.  
466.750 MFD. BY LITTELFUSE INC. FOR IC809 AND IC810

印の部品は、指定部品（安全規格適合部品）を必ず使用すること

The mark found on some component parts should be replaced with same parts(safety regulation authorized) of identical designation

**A** 6/6

# 3.10 MIC 1 ASSY

## B MIC1 (DWX2542)

A

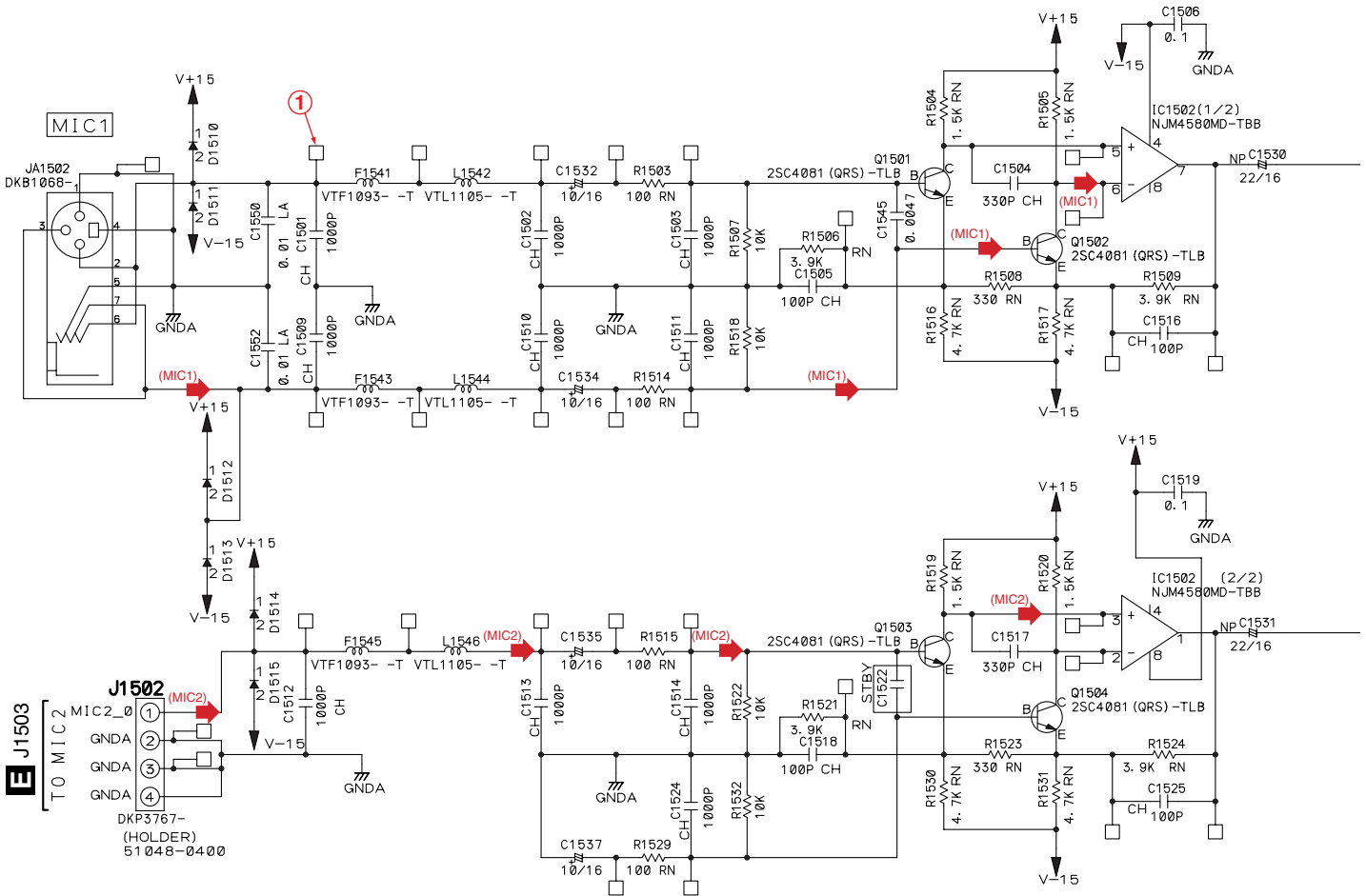
B

C

D

E

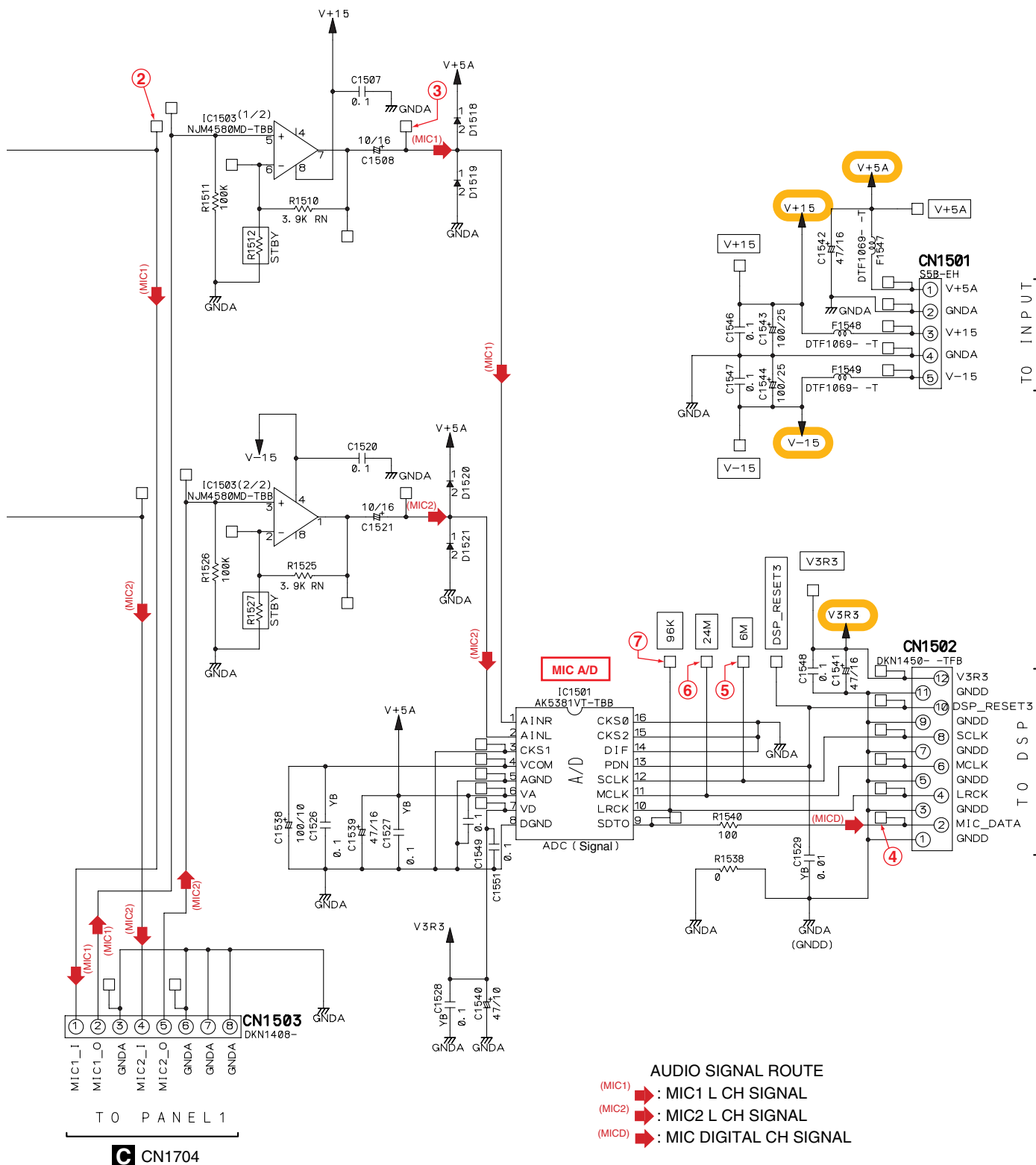
F



Notes    is STBY

VM		RD1/2VM***	Ω
RN		RN1/16SE***D	Ω
		RS1/16S***J	Ω
CH		CCSRCH	F
LA		CFTLA	F
		CKSRYB	μF
NP		CEALNP	μF
		CEAL	μF

## B



TO INPUT A 6/6 CN456

TO DSP I 2/3 CN11

CN1704

AUDIO SIGNAL ROUTE

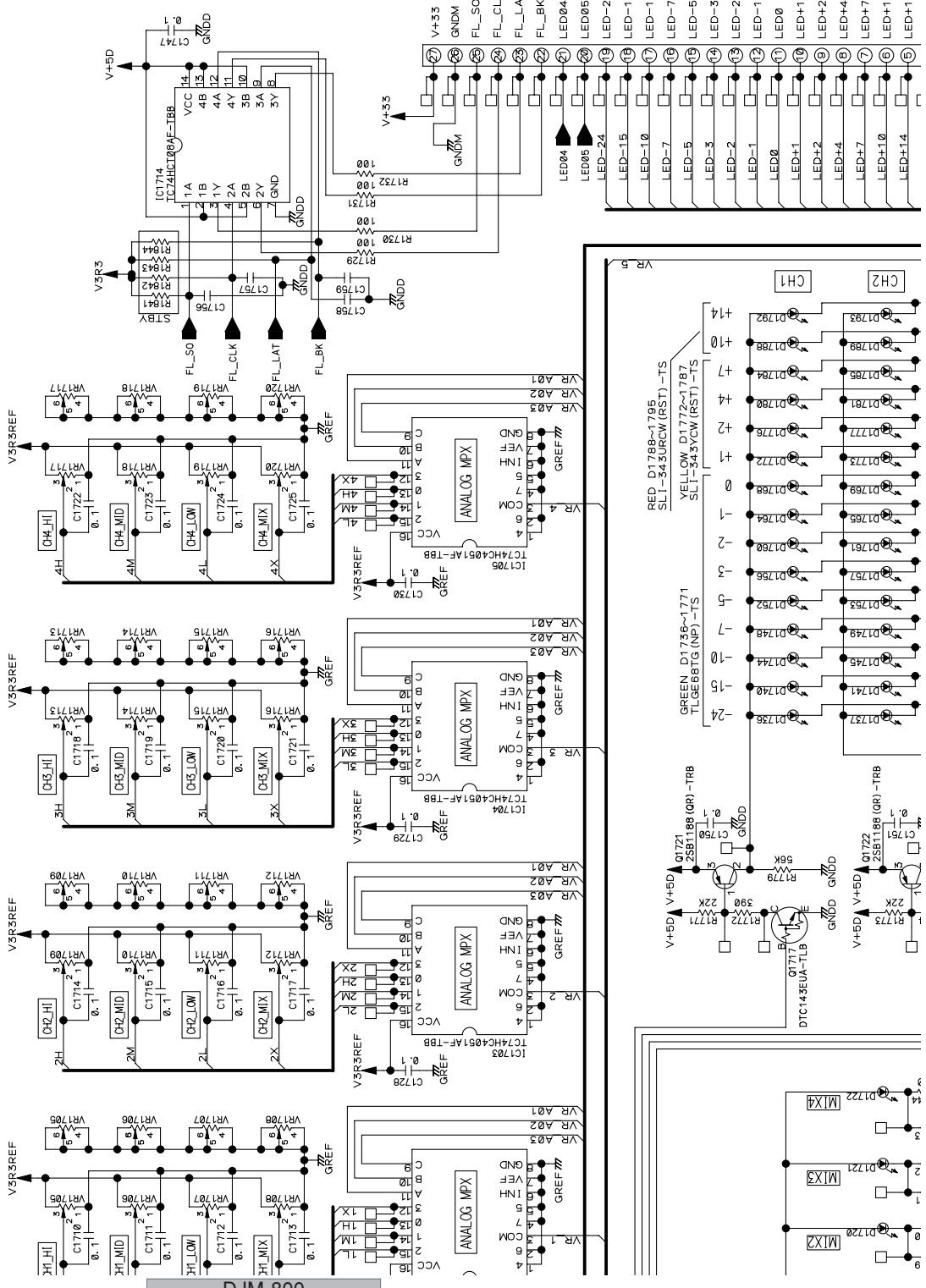
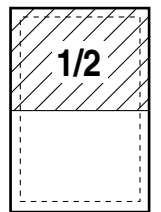
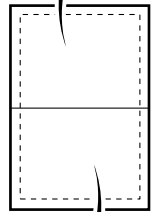
- (MIC1) → : MIC1 L CH SIGNAL
- (MIC2) → : MIC2 L CH SIGNAL
- (MICD) → : MIC DIGITAL CH SIGNAL

# 3.11 PANEL 1 ASSY

## C PANEL1 ASSY (DWX2552)(1/2)

F CN2101

Large size SCH diagram

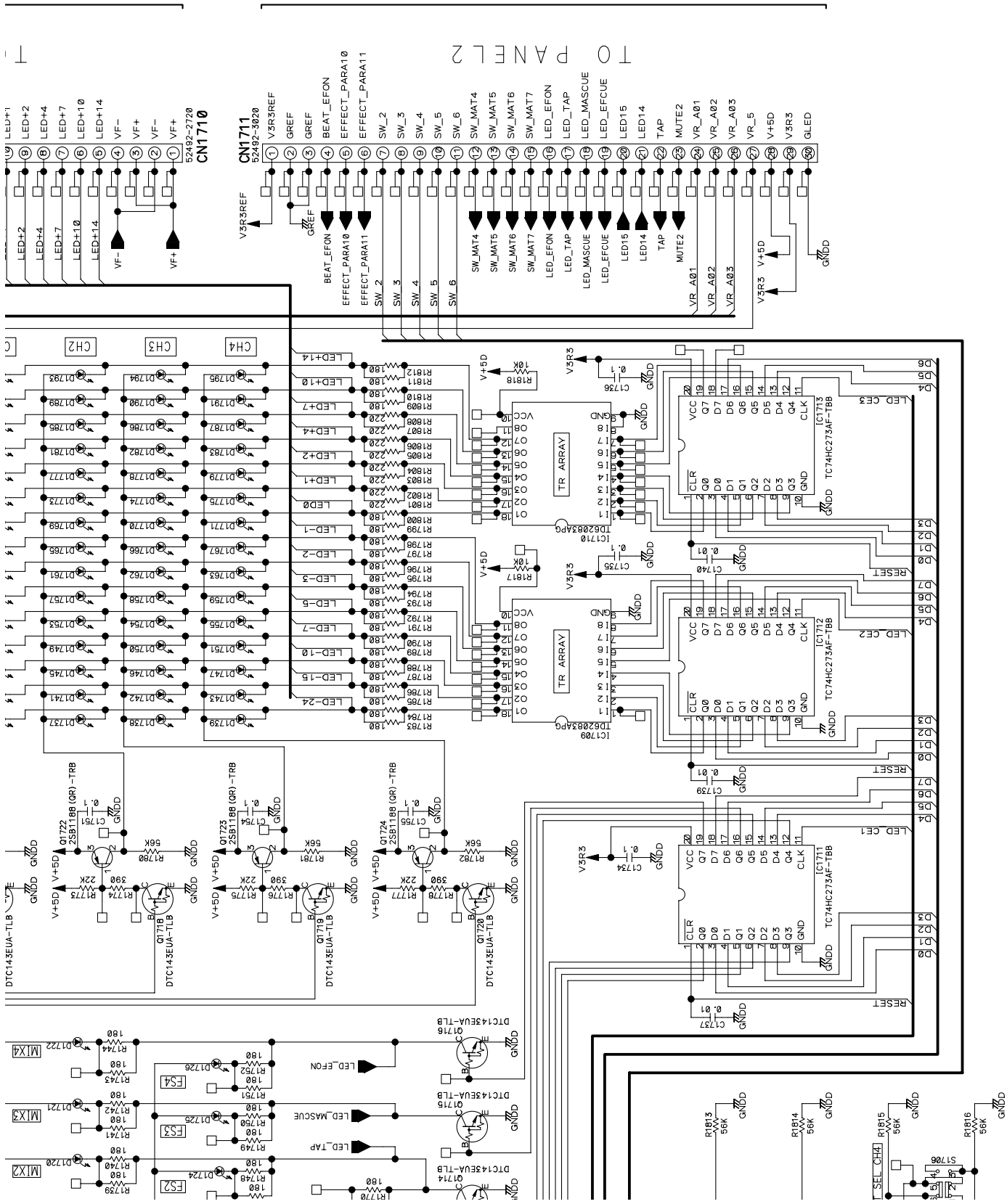


TO PANEL 2



	CURVE CHRST	CLICK Exist/Noexist
DCS1072	A Curve	No exist
DCS1095	Special Curve	Exist
DCS1065	B Curve	Exist
DCS1086	B Curve	No exist

F CN2102



DJM-800

1 2 3 4

# PANEL1 ASSY (DWX2552)(2/2)

Large size SCH diagram

1/2

2/2

2/2

VR1705~1707= DCS1085-  
 VR1708~1710= DCS1086-  
 VR1711~1715= DCS1086-  
 VR1716~1719= DCS1086-  
 VR1721~1724= DCS1085-  
 VR1725~1728= DCS1085-  
 VR1729~1733= DCS1085-  
 VR1734~1738= DCS1085-  
 VR1739~1743= DCS1085-

TO CH1 FADER TO CH2 FADER TO CH3 FADER TO CH4 FADER TO CRS FADER TO CRS FADER

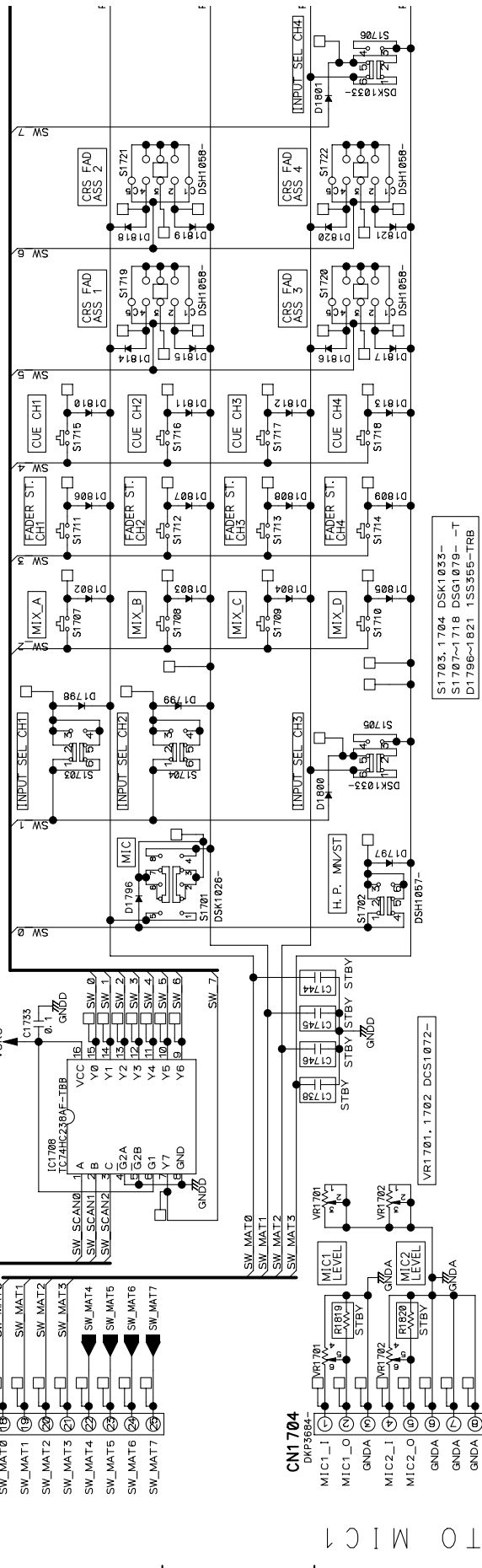
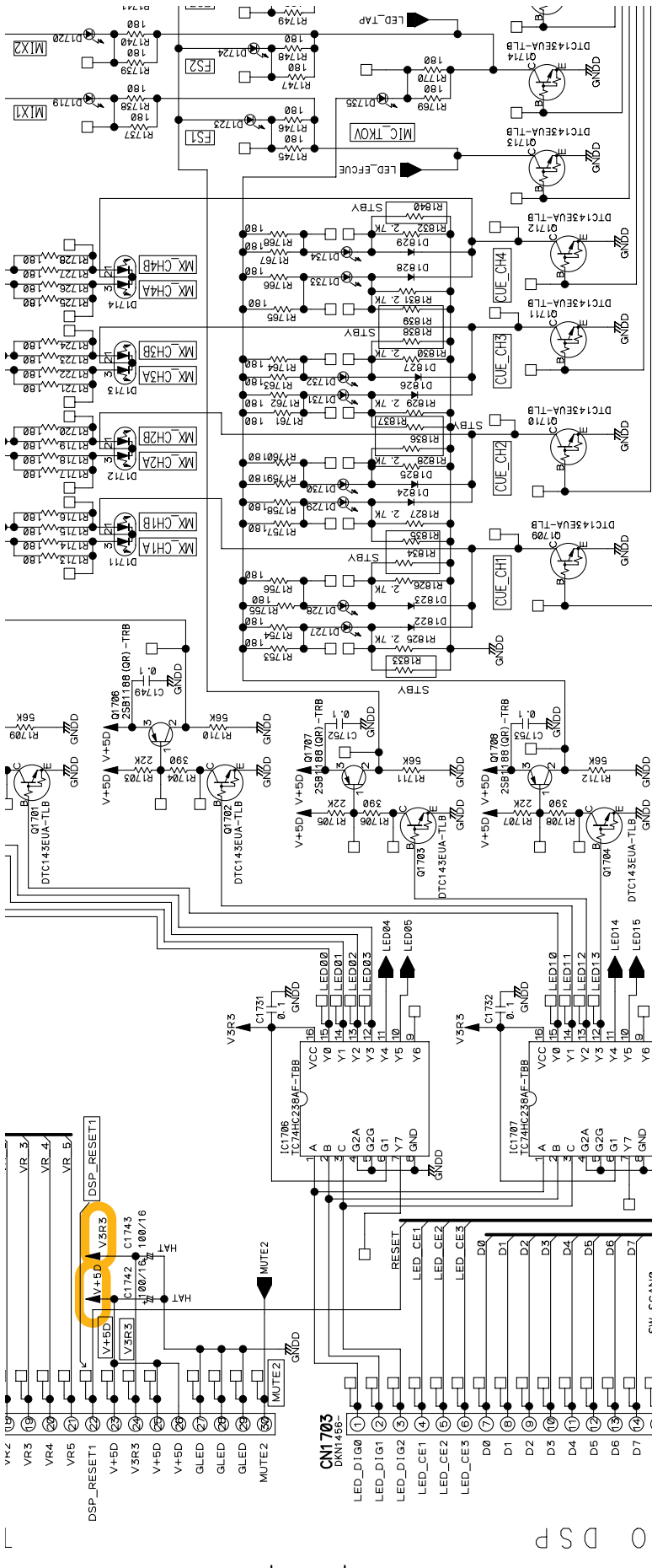
Notes  
 □ is STBY  
 RN ~~~ RN1/16SE\*\*\*D Ω  
 ~~~ RS1/16S\*\*\*J Ω  
 CH -||- CCSRCH F  
 -||- CKSRYB #F  
 HAT -||- CEHAT #F

1/3 CN4 DJM-800

1/3 CN5

34

1 2 3 4



1/3 CN6

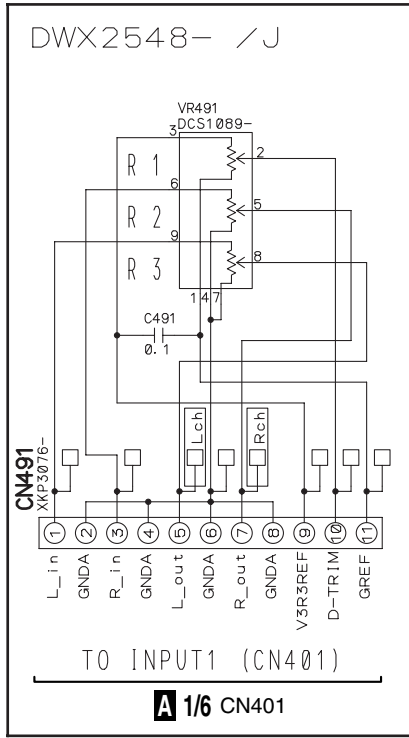
CN1503

DJM-800

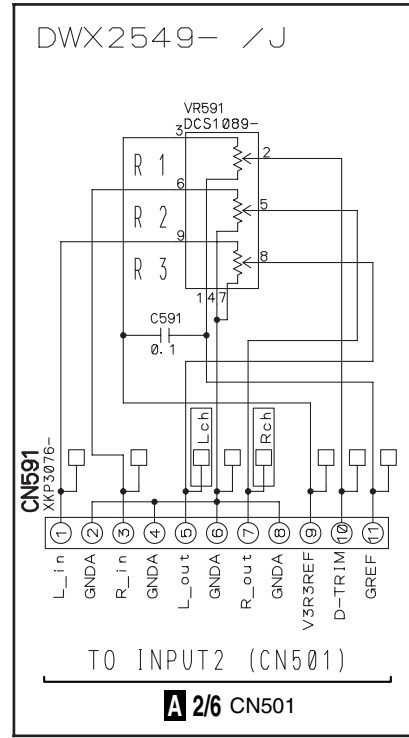
A B C D E F

### 3.12 TRIM1 to TRIM 4 ASSYS

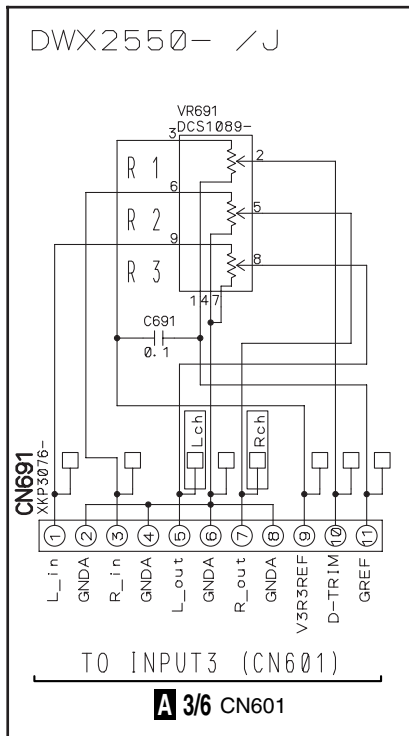
#### D 4/4 TRIM1 ASSY (DWX2548)



#### D 3/4 TRIM2 ASSY (DWX2549)

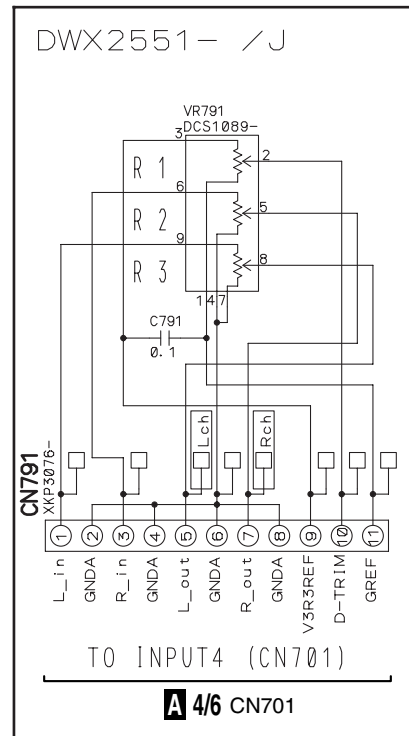


#### D 2/4 TRIM3 ASSY (DWX2550)



CKSRYB  $\mu$ F

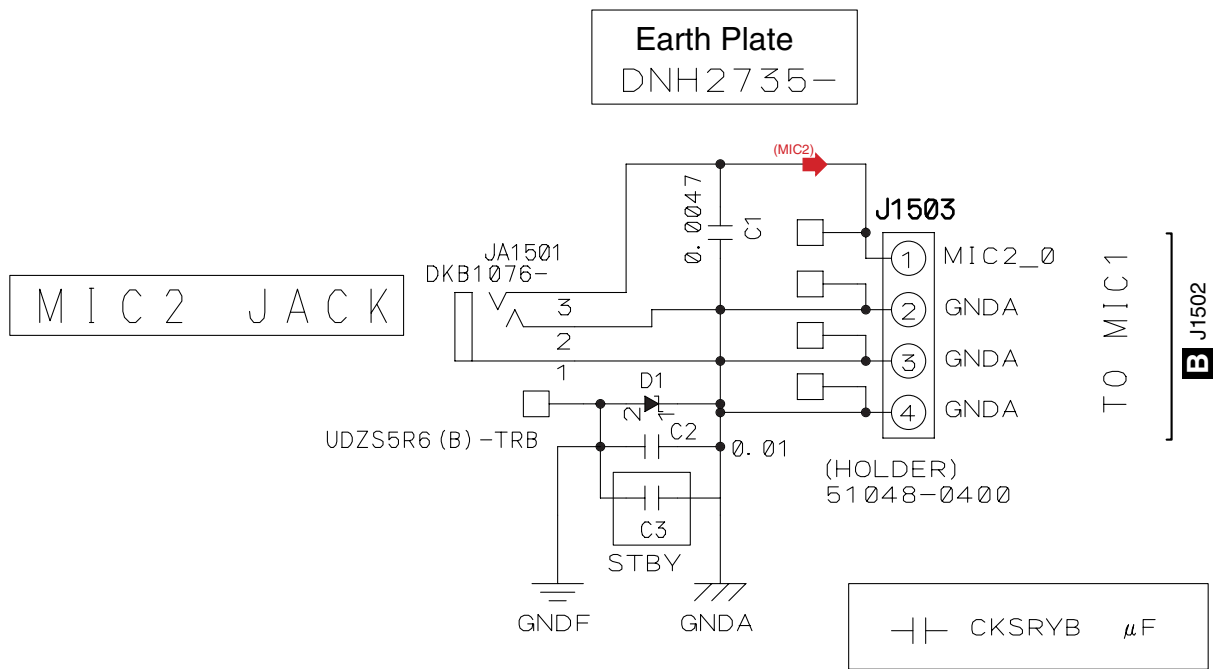
#### D 1/4 TRIM4 ASSY (DWX2551)



D 1/4-4/4

D 1/4-4/4

**E** MIC2 (DWX2543)



AUDIO SIGNAL ROUTE  
 (MIC2) → : MIC2 L CH SIGNAL

# 3.14 PANEL 2 ASSY

## F PANEL2 ASSY (DWX2554)

A

B

C

D

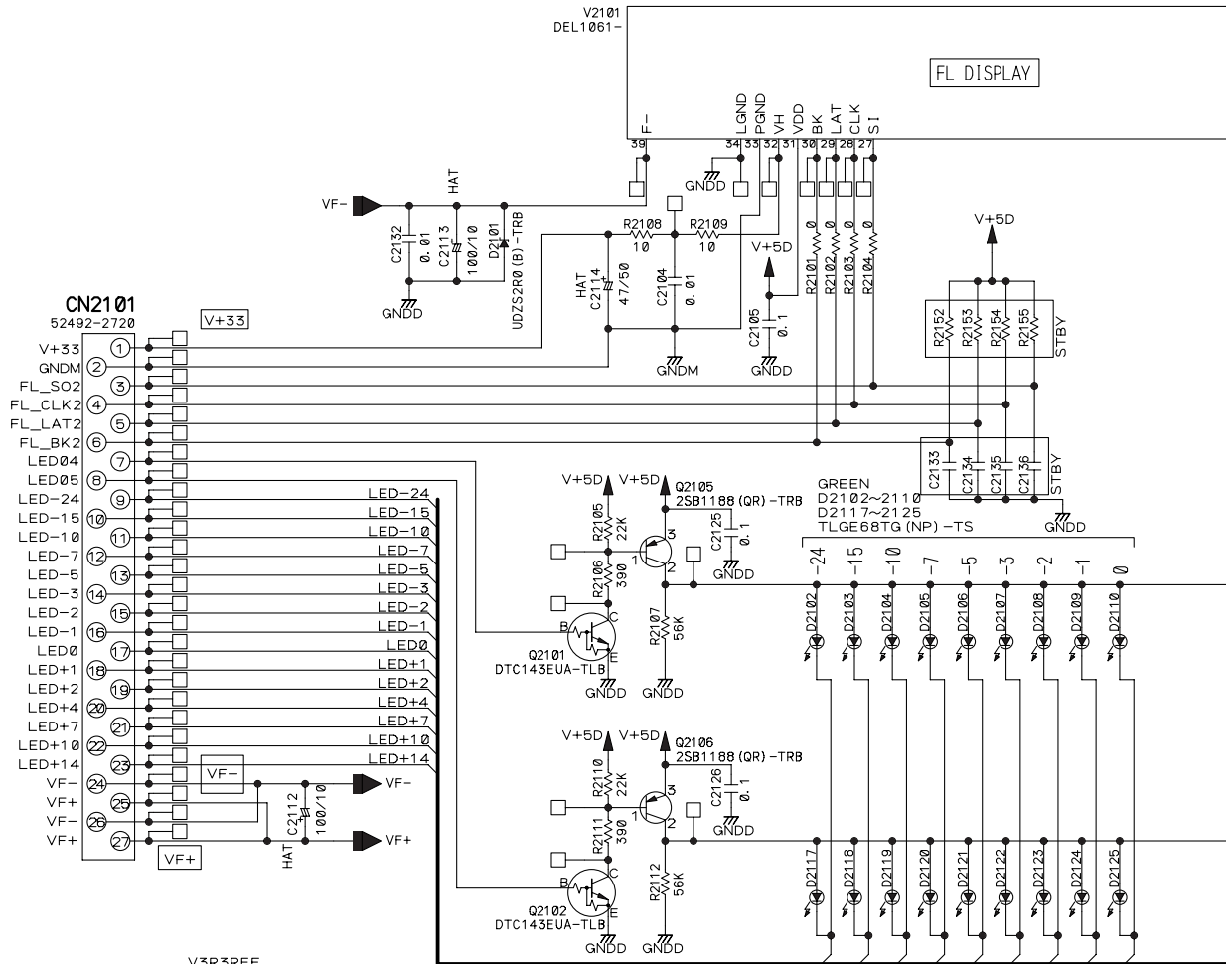
E

F

38

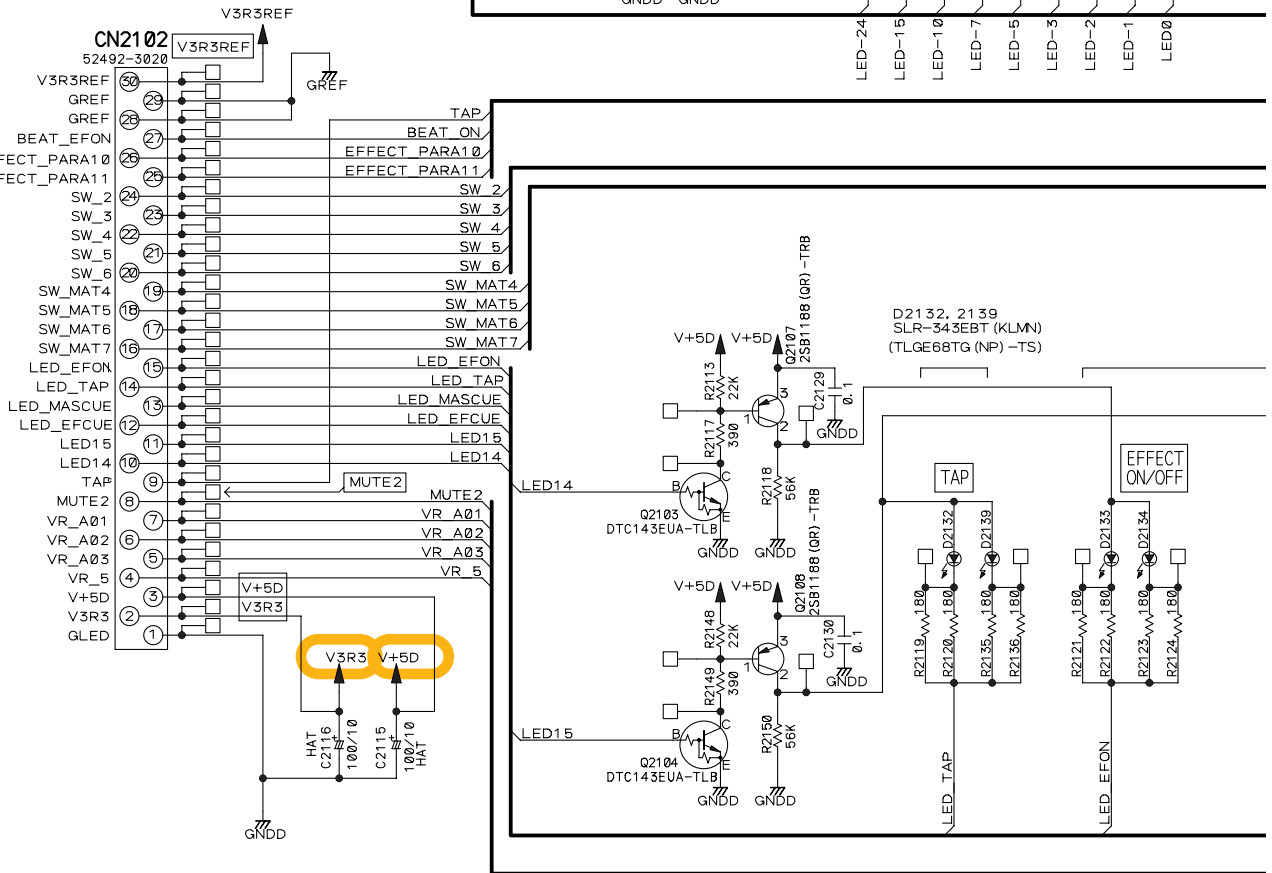
C CN1710

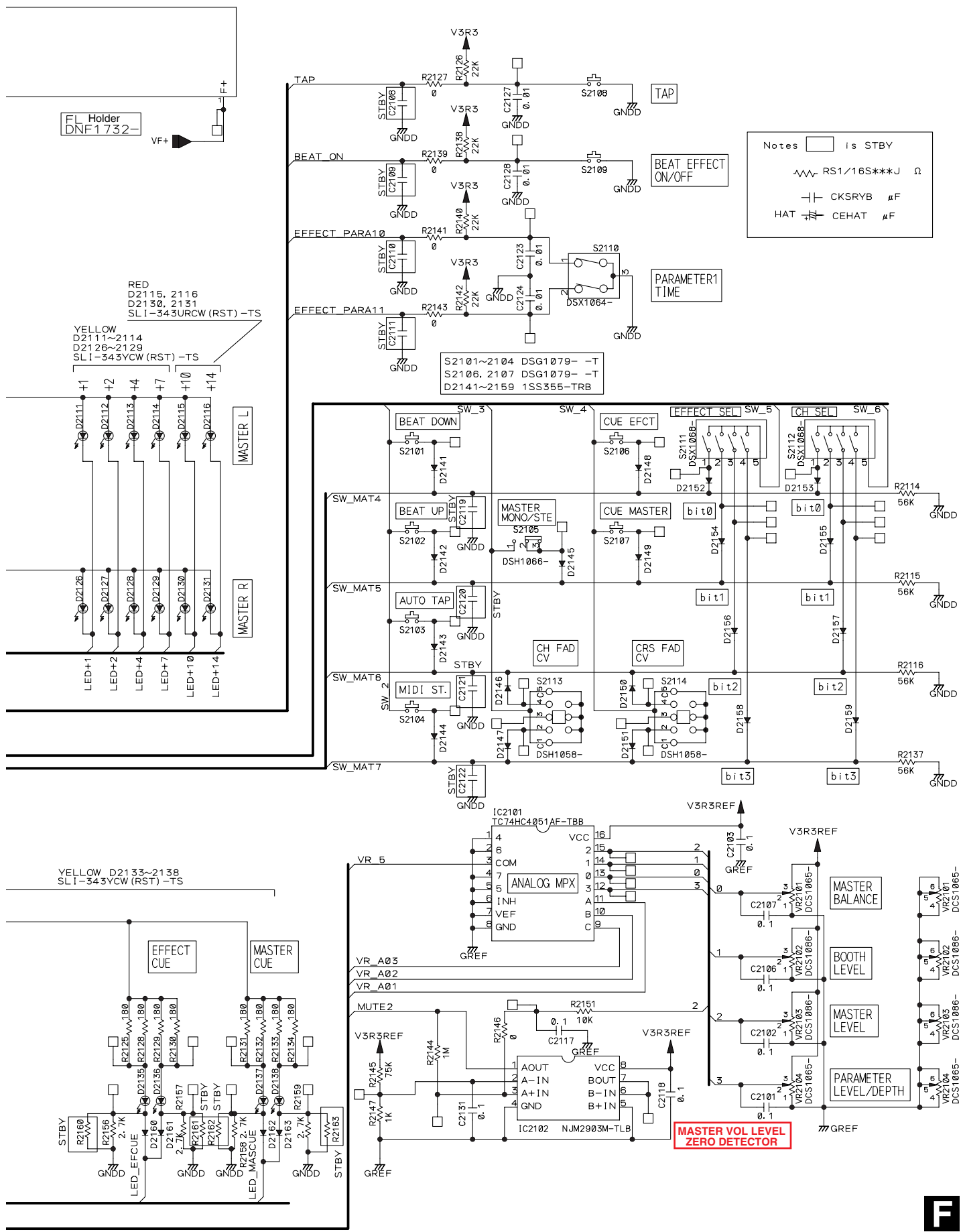
TO PANEL1



C CN1711

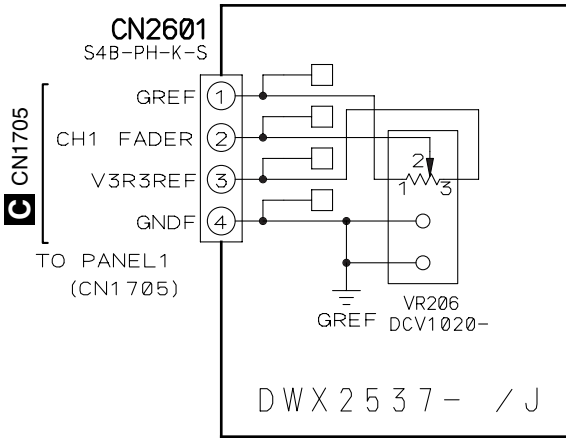
TO PANEL1



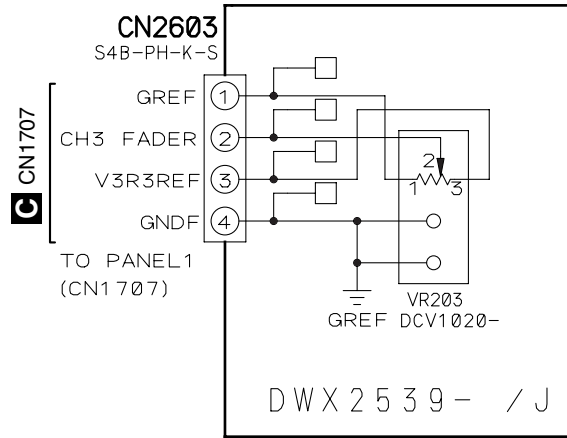


### 3.15 CHFD 1 to CHFD 4 and CRSFD ASSYS

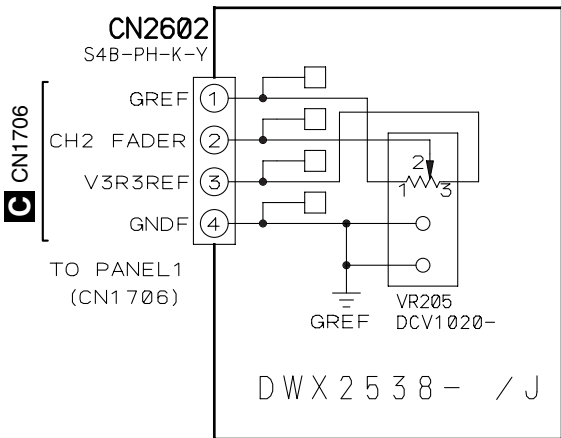
#### G 1/4 CHFD1(DWX2537)



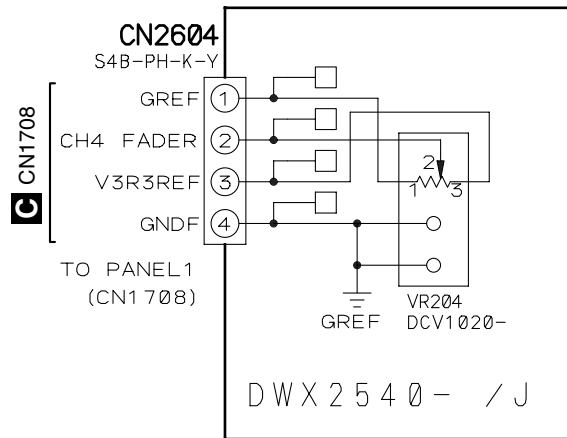
#### G 3/4 CHFD3(DWX2539)



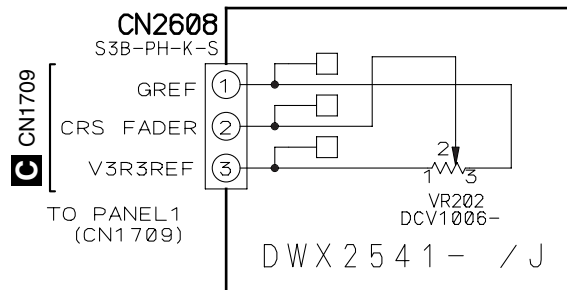
#### G 2/4 CHFD2(DWX2538)



#### G 4/4 CHFD4(DWX2540)

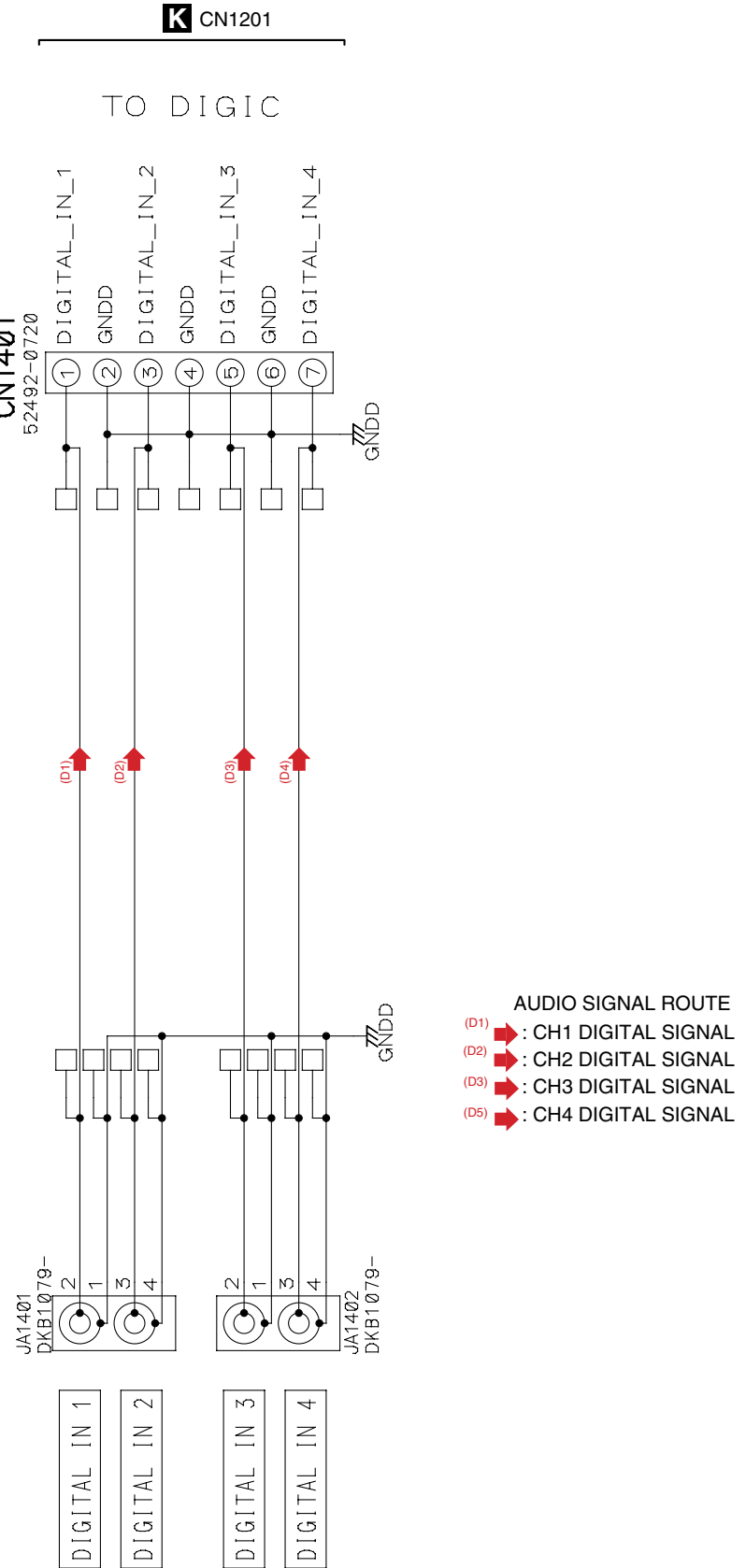


#### H CRSFD(DWX2541)



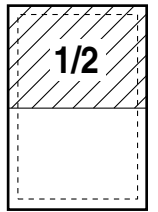
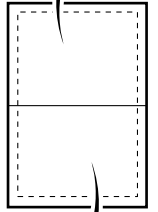


# DIGIA ASSY (DWX2555)

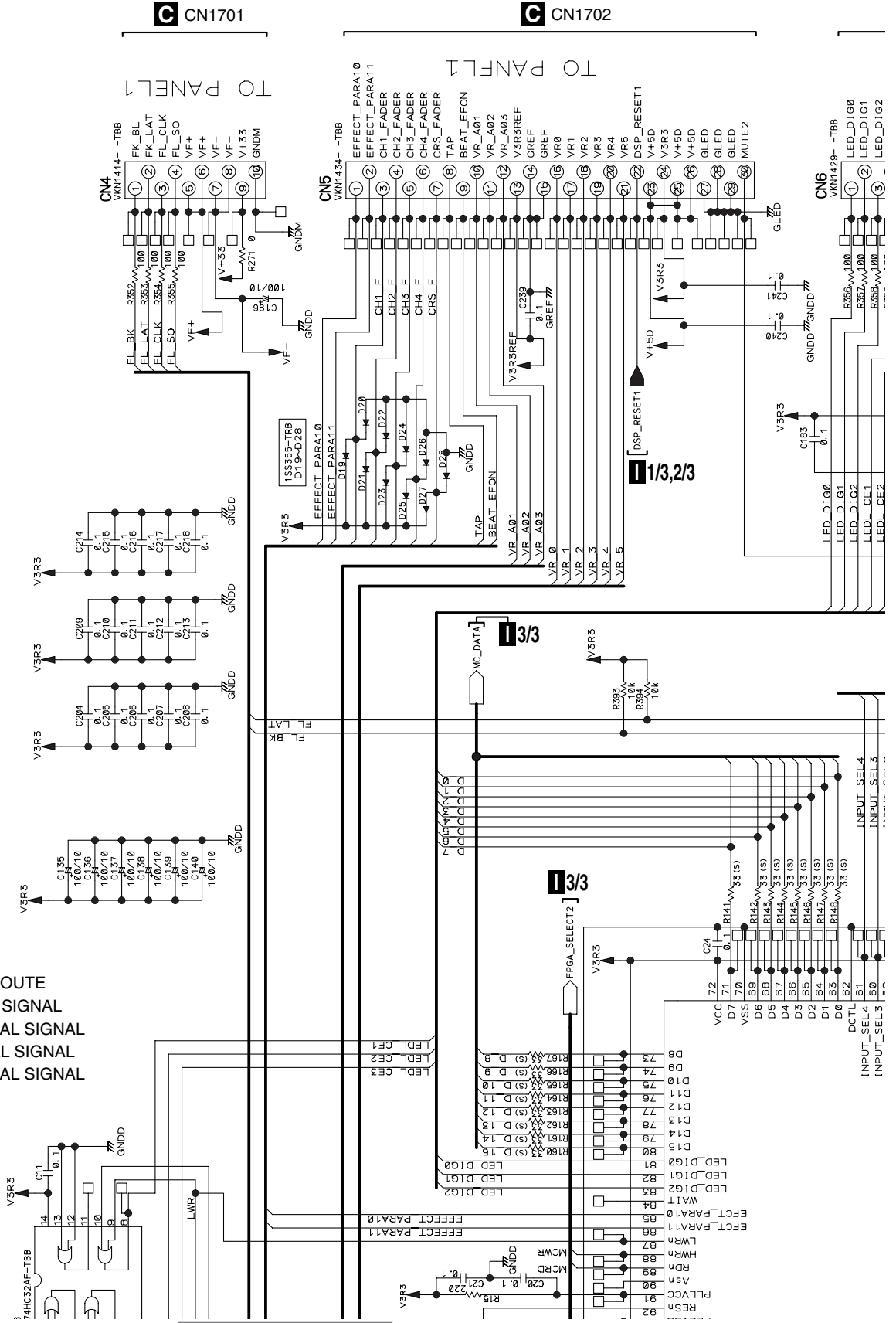


1/3 DSP ASSY (DWX2534)(1/2)

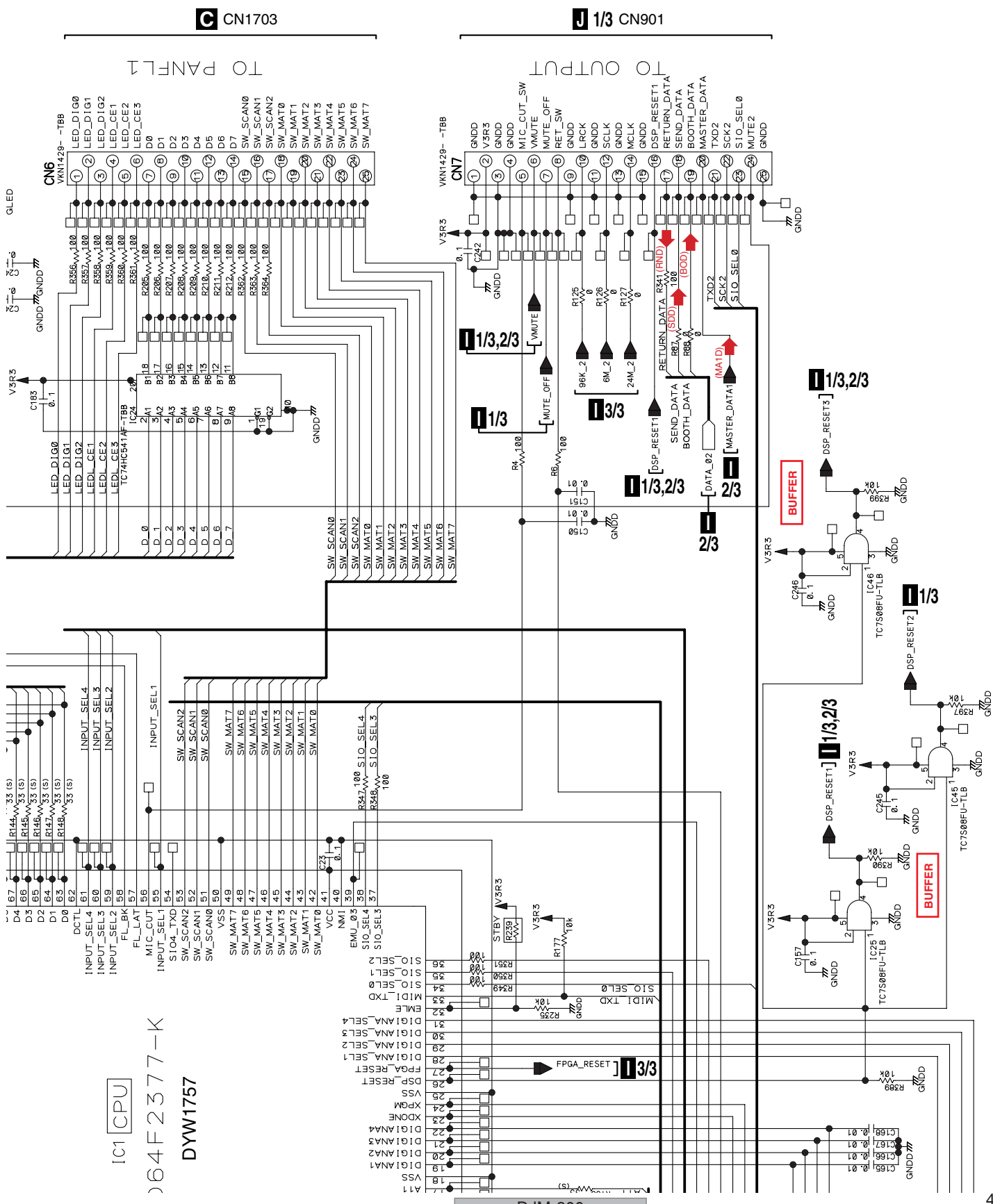
Large size SCH diagram



- AUDIO SIGNAL ROUTE
- (SDD) → SEND DIGITAL SIGNAL
  - (RND) → RETURN DIGITAL SIGNAL
  - (BOD) → BOOTH DIGITAL SIGNAL
  - (MA1D) → MASTER DIGITAL SIGNAL



DJM-800



CN1703

J 1/3 CN901

IC1 CPU  
64F2377-K  
DYW1757

DJM-800

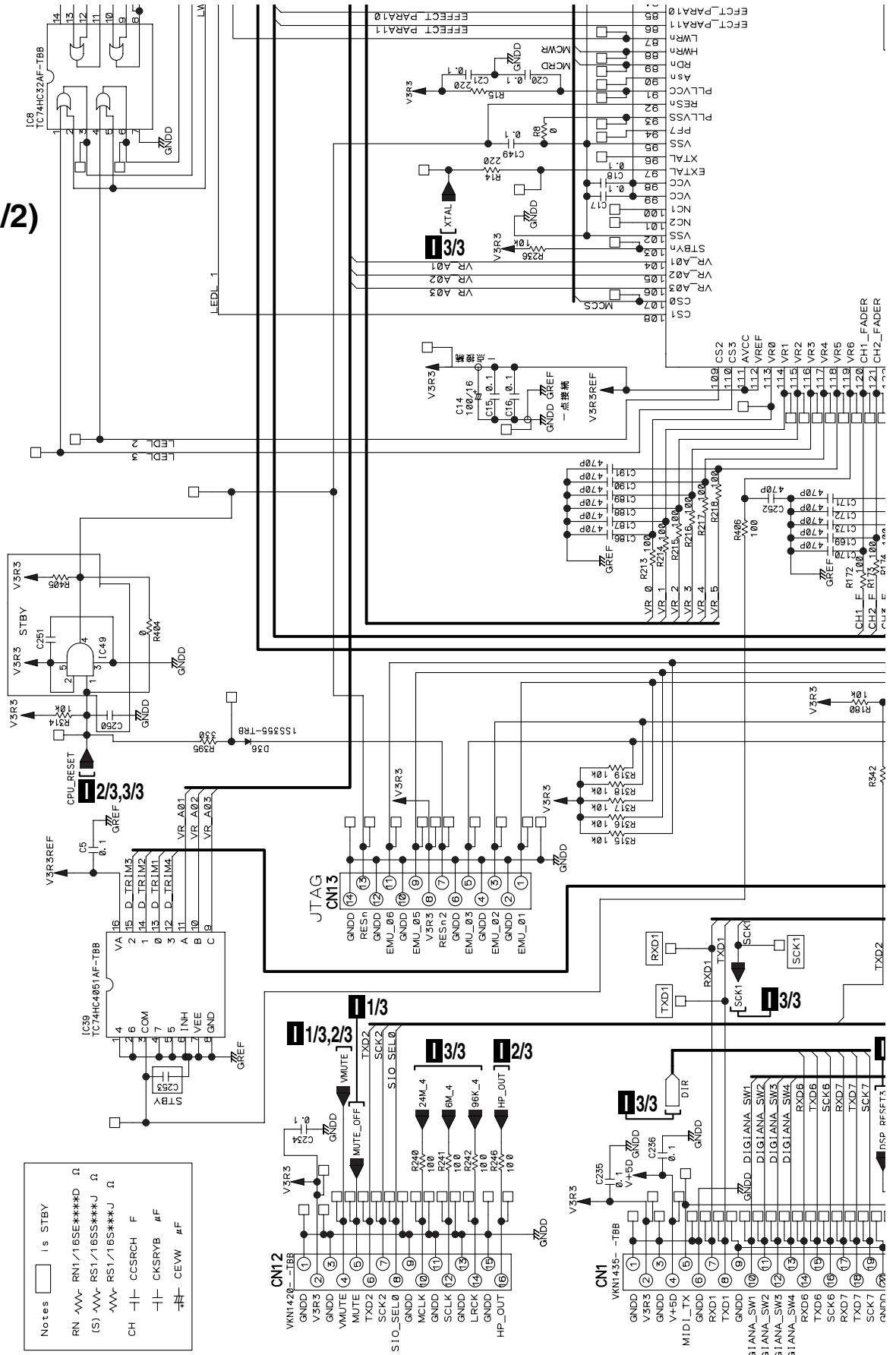
# 1/3 DSP ASSY (DWX2534)(2/2)

Large size SCH diagram

1/2

2/2

2/2



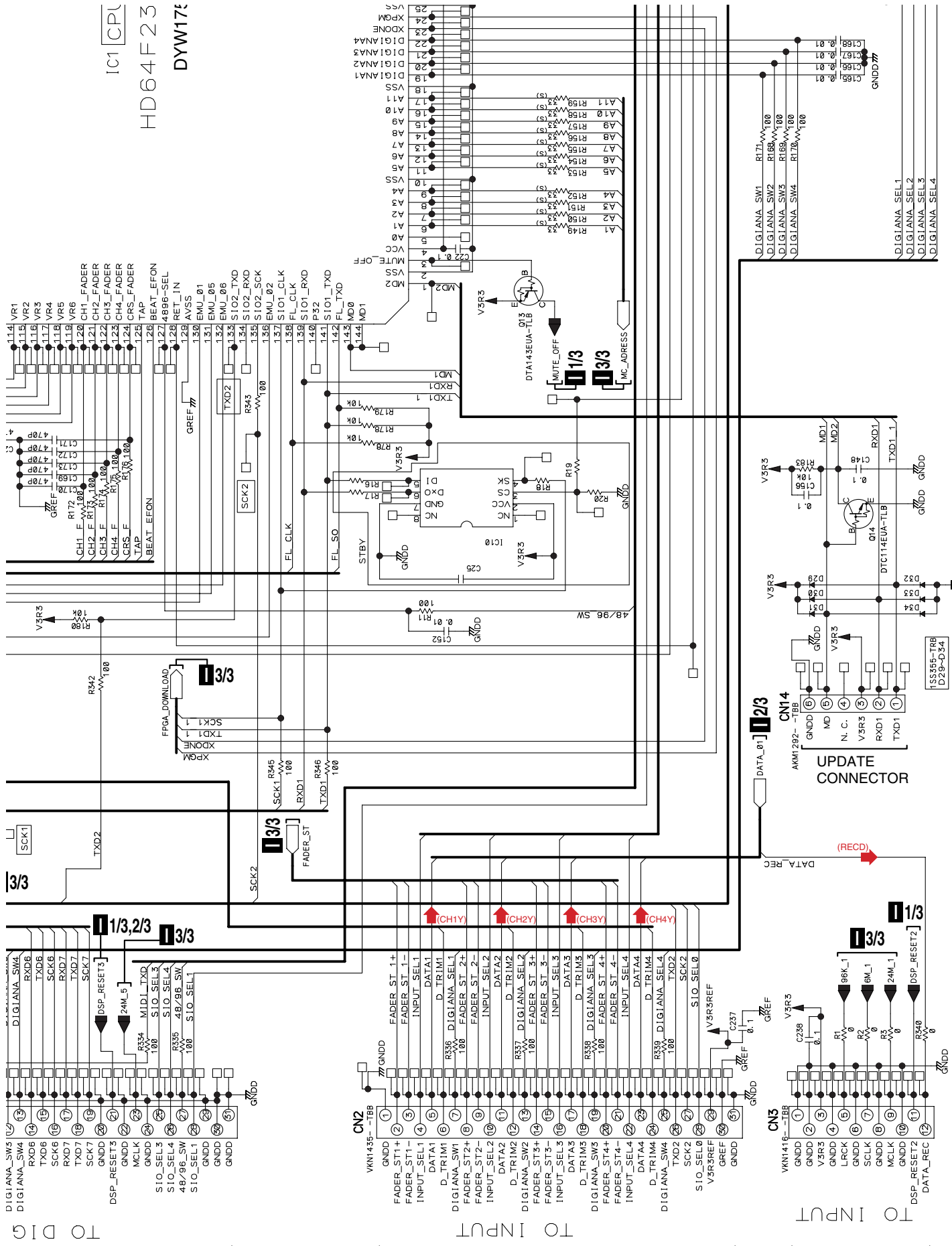
AUDIO SIGNAL ROUTE  
 (CH1Y) → : SCH 1 Y CH SIGNAL  
 (CH2Y) → : SCH 2 Y CH SIGNAL

TO HP AMP

TO DIGIC

○ CN2503

Ⓚ CN1205



**K** CN1205

**A** 6/6 CN452

**A** 6/6 CN451

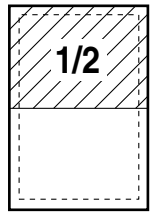
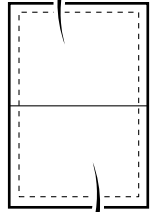
**DJM-800**

# 3.18 DSP ASSY (2/3)

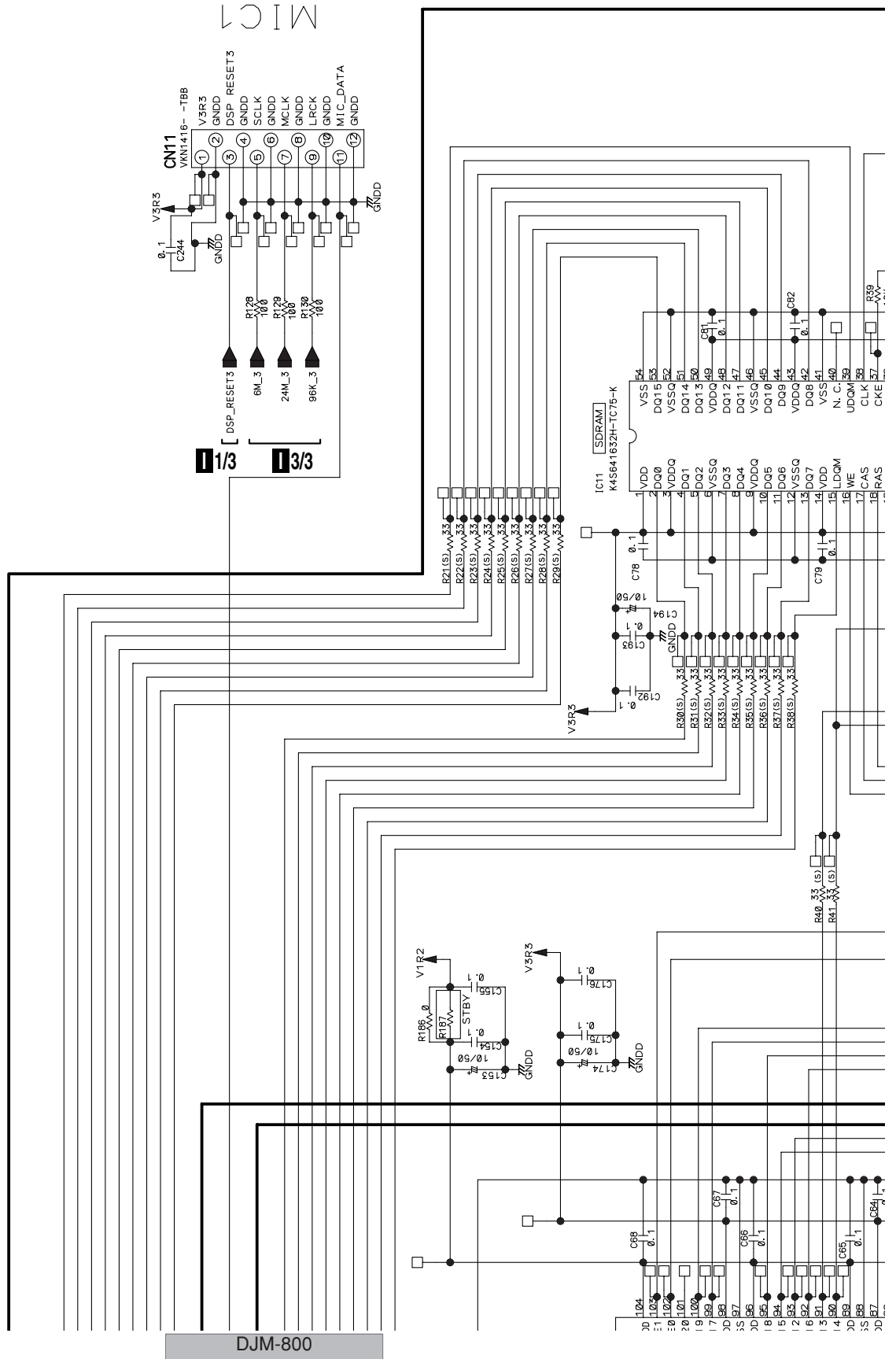
## 2/3 DSP ASSY (DWX2534)(1/2)

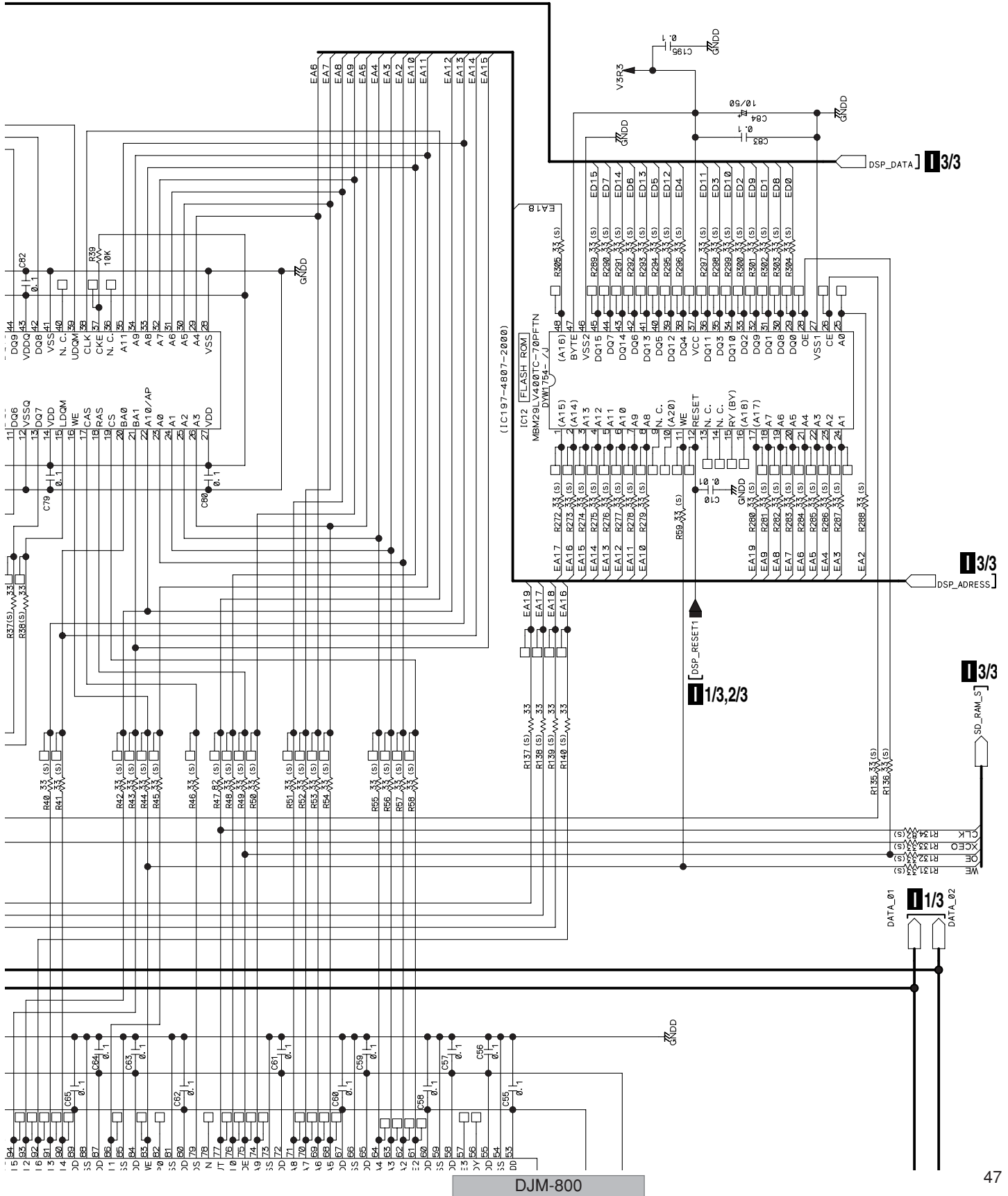
A  
B  
C  
D  
E  
F

Large size SCH diagram



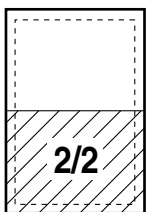
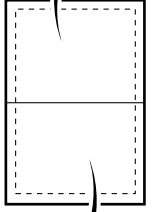
**B** CN1502





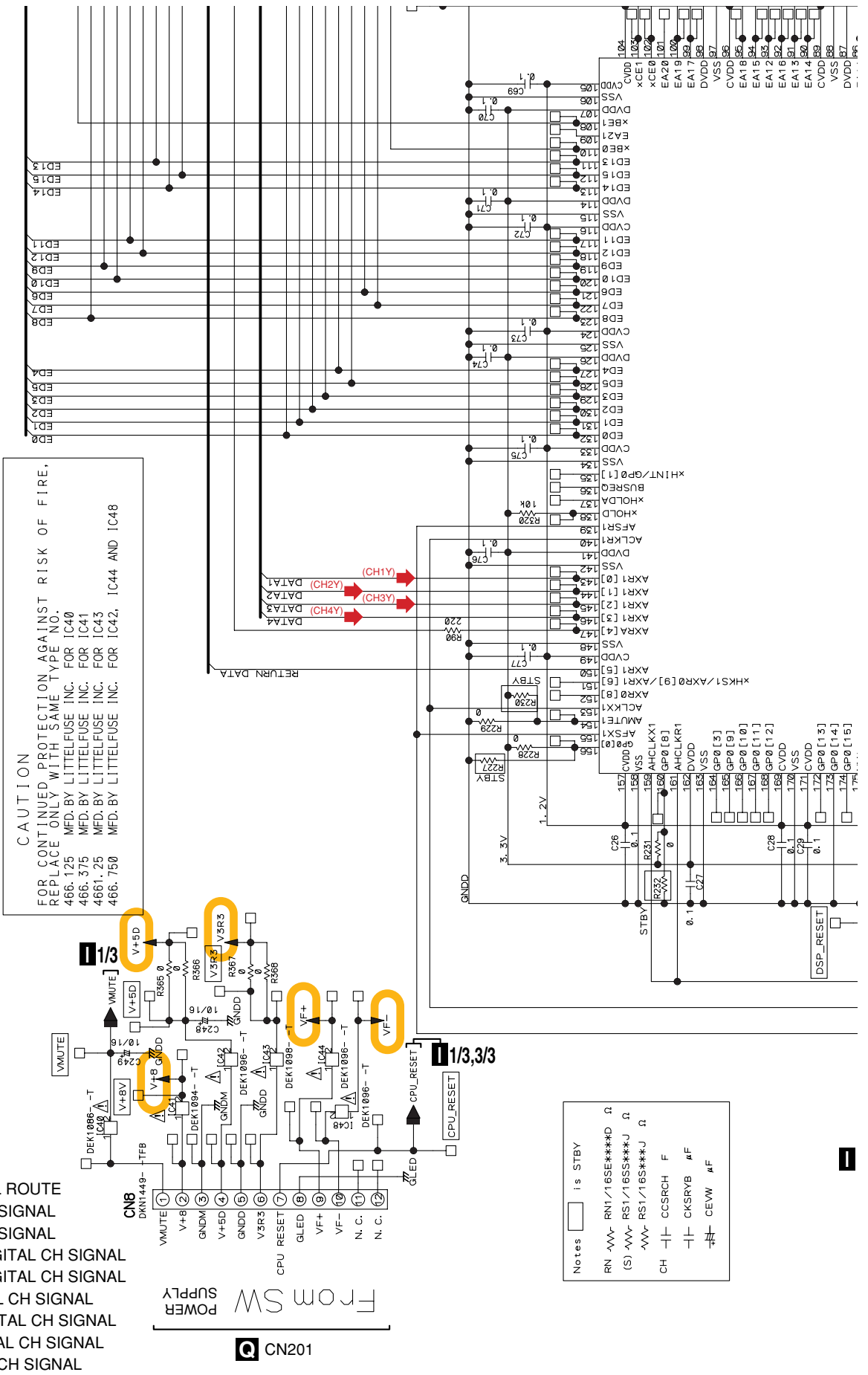
# 2/3 DSP ASSY (DWX2534) (2/2)

Large size  
SCH diagram



**CAUTION**  
FOR CONTINUED PROTECTION AGAINST RISK OF FIRE,  
REPLACE ONLY WITH SAME TYPE NO.  
466.125 MFD. BY LITTELFUSE INC. FOR IC41  
466.375 MFD. BY LITTELFUSE INC. FOR IC41  
466.1.25 MFD. BY LITTELFUSE INC. FOR IC43  
466.750 MFD. BY LITTELFUSE INC. FOR IC42, IC44 AND IC48

- AUDIO SIGNAL ROUTE**
- (CH1Y) → SCH 1 Y CH SIGNAL
  - (CH2Y) → SCH 2 Y CH SIGNAL
  - (MA1D) → MASTER DIGITAL CH SIGNAL
  - (MA2D) → MASTER DIGITAL CH SIGNAL
  - (RECD) → REC DIGITAL CH SIGNAL
  - (BOD) → BOOTH DIGITAL CH SIGNAL
  - (SDD) → SEND DIGITAL CH SIGNAL
  - (HPD) → HP DIGITAL CH SIGNAL



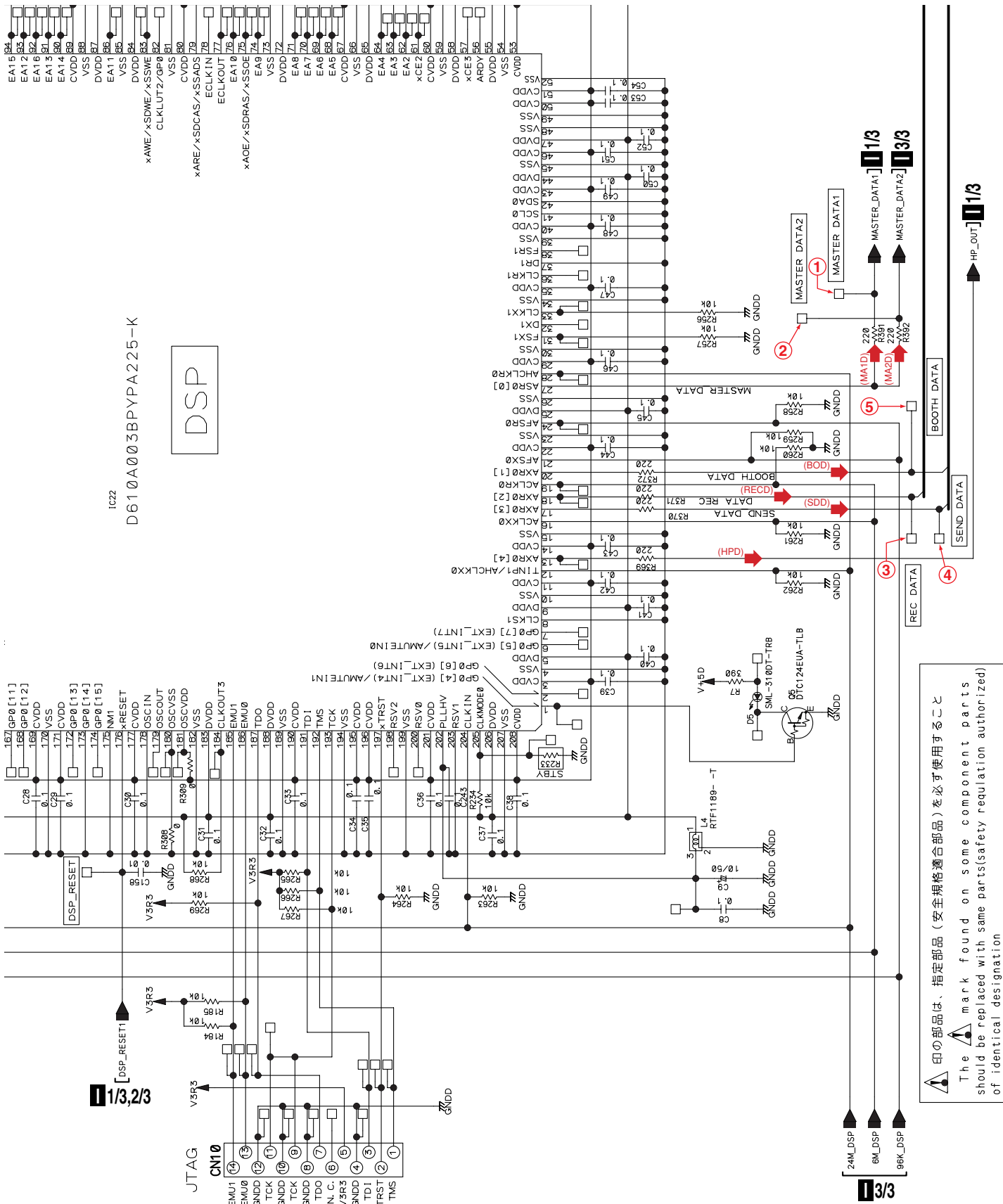
Notes

|     |   |        |    |
|-----|---|--------|----|
| RN  | ~ | RES    | Ω  |
| (S) | ~ | RES    | Ω  |
| CH  |   | CCSRCH | F  |
|     |   | CXSRVB | μF |
|     |   | CEWV   | μF |

From SW POWER SUPPLY

ⓐ CN201





DSP

D610A003BPYP A225-K

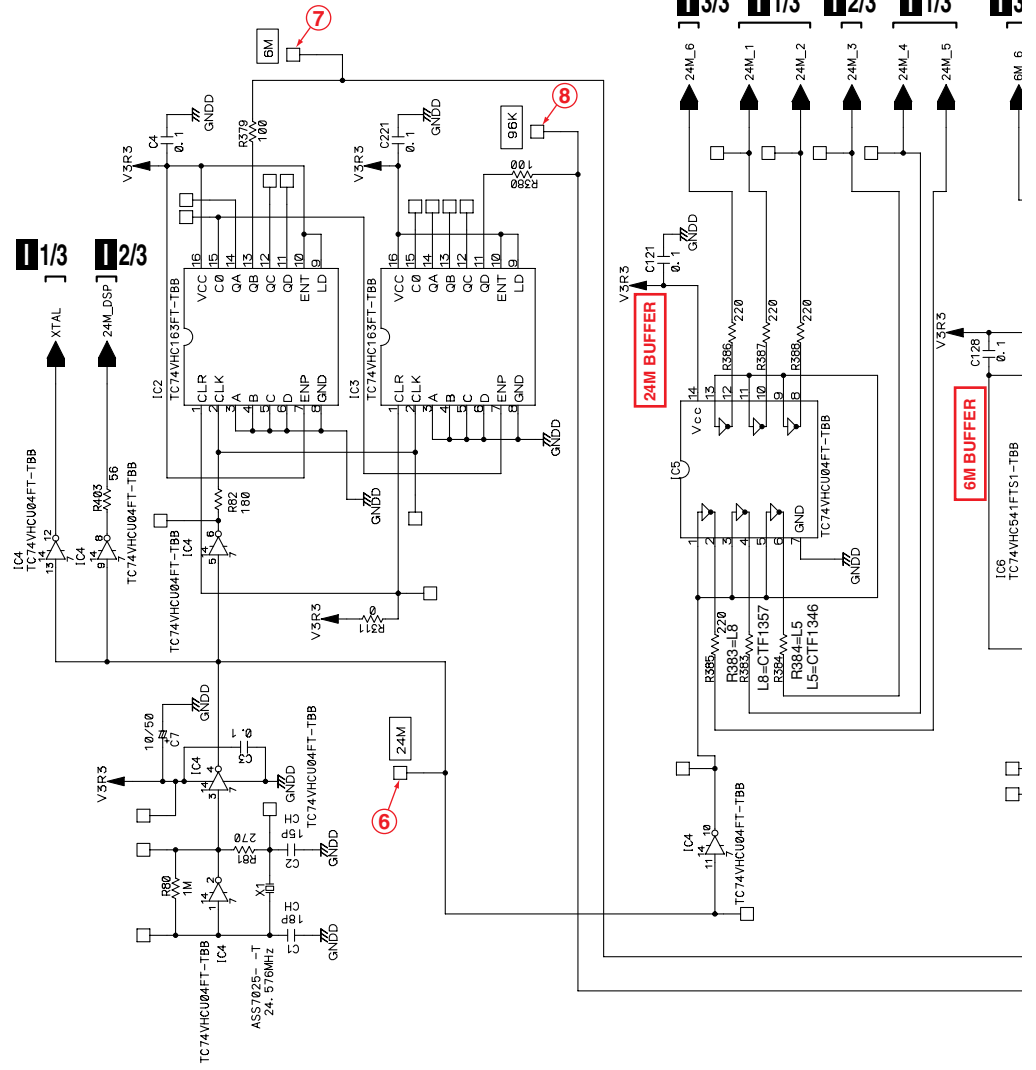
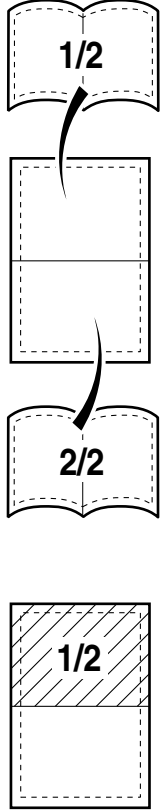
印の部品は、指定部品（安全規格適合部品）を必ず使用すること  
 The mark found on some component parts should be replaced with same parts(safety regulation authorized) of identical designation

A B C D E F

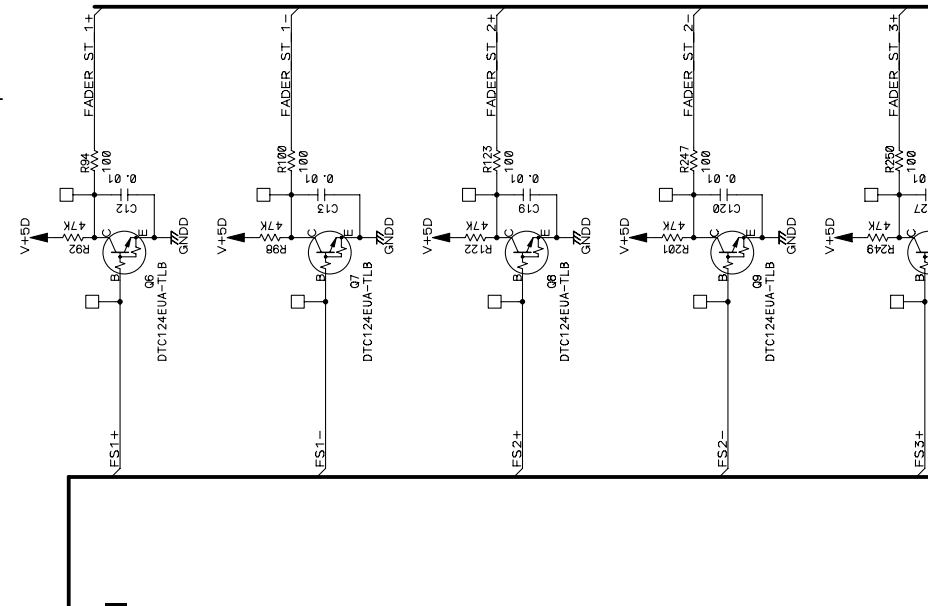
# 3.19 DSP ASSY (3/3)

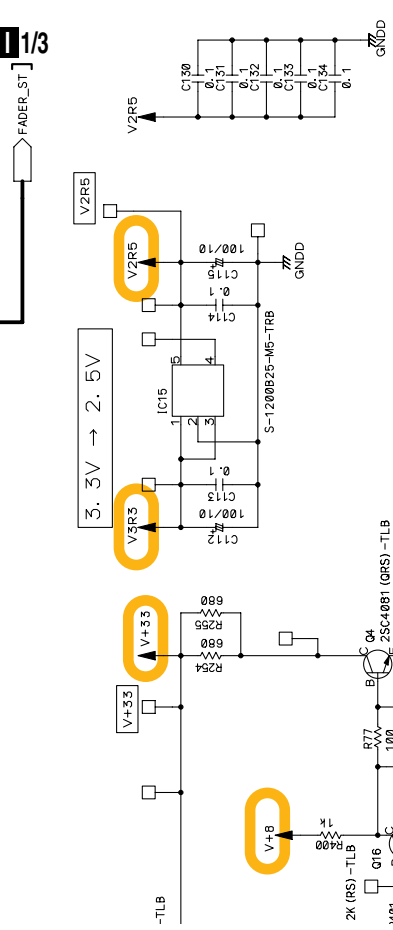
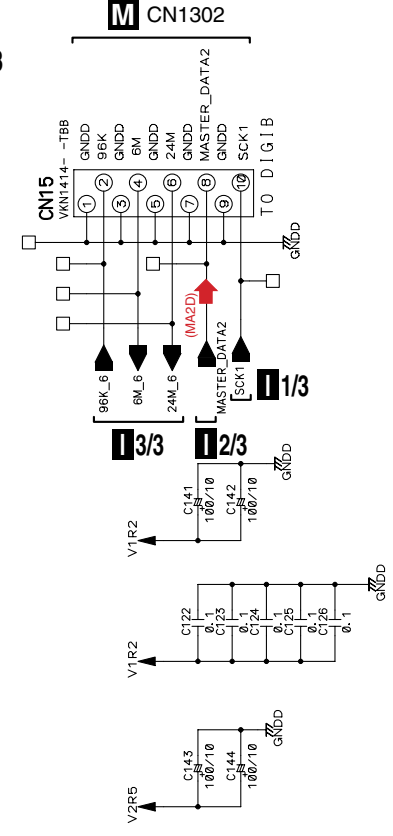
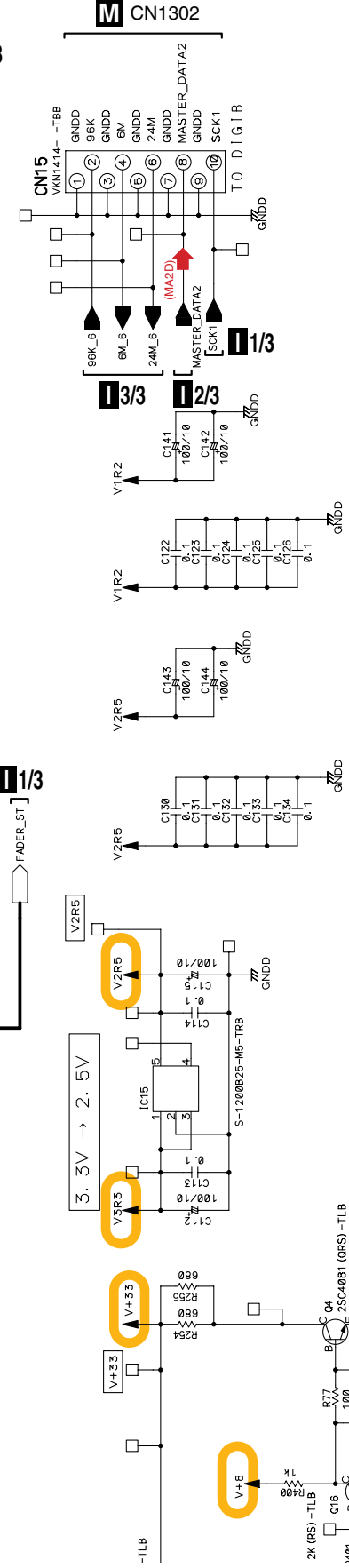
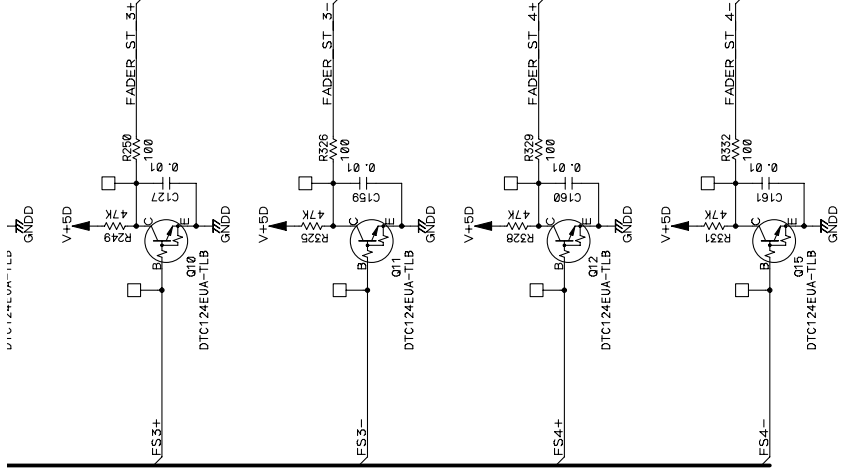
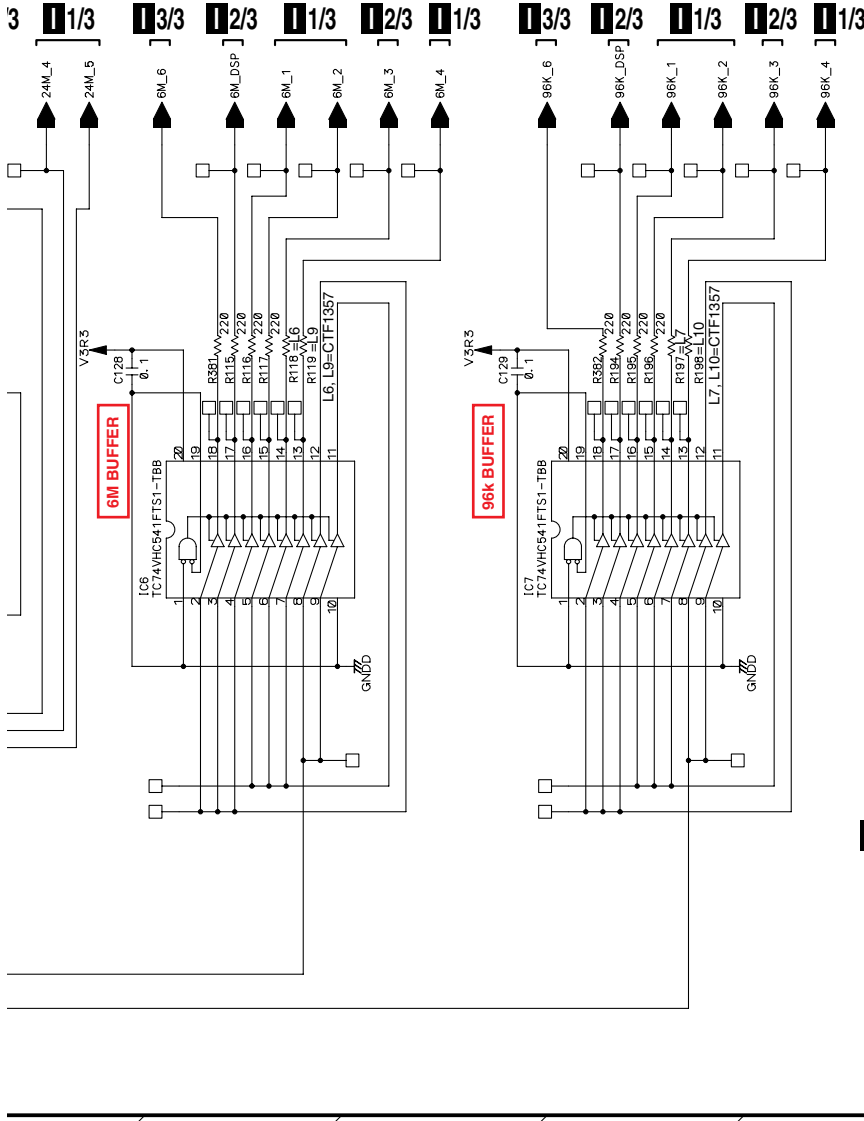
## 1/3 DSP ASSY (DWX2534)(1/2)

Large size SCH diagram



AUDIO SIGNAL ROUTE  
 (MA2D) → MASTER DIGITAL CH SIGNAL

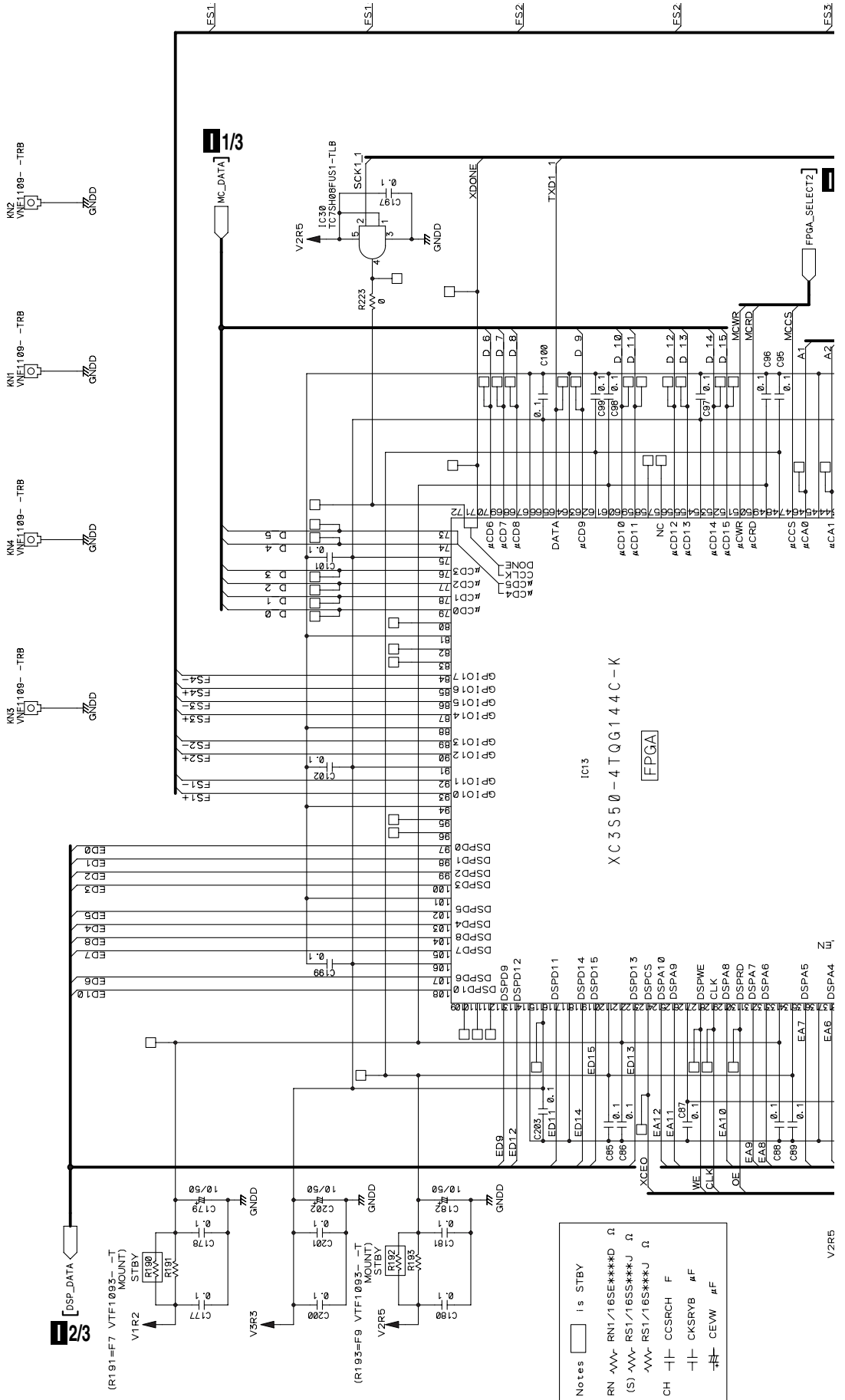
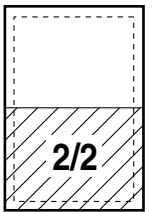
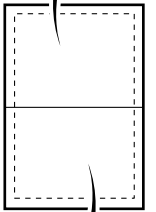


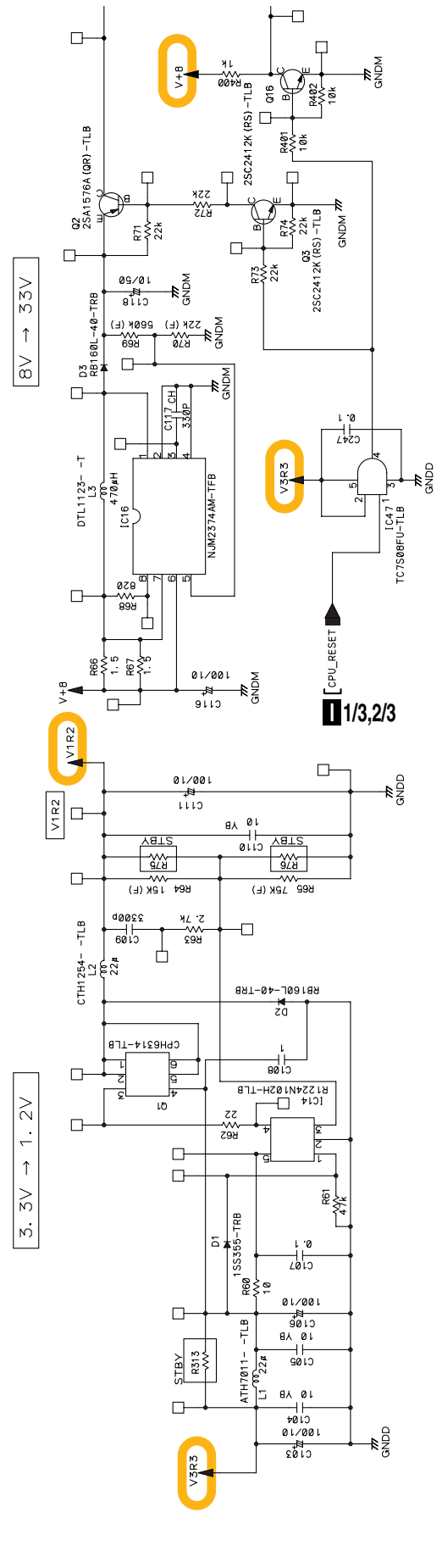
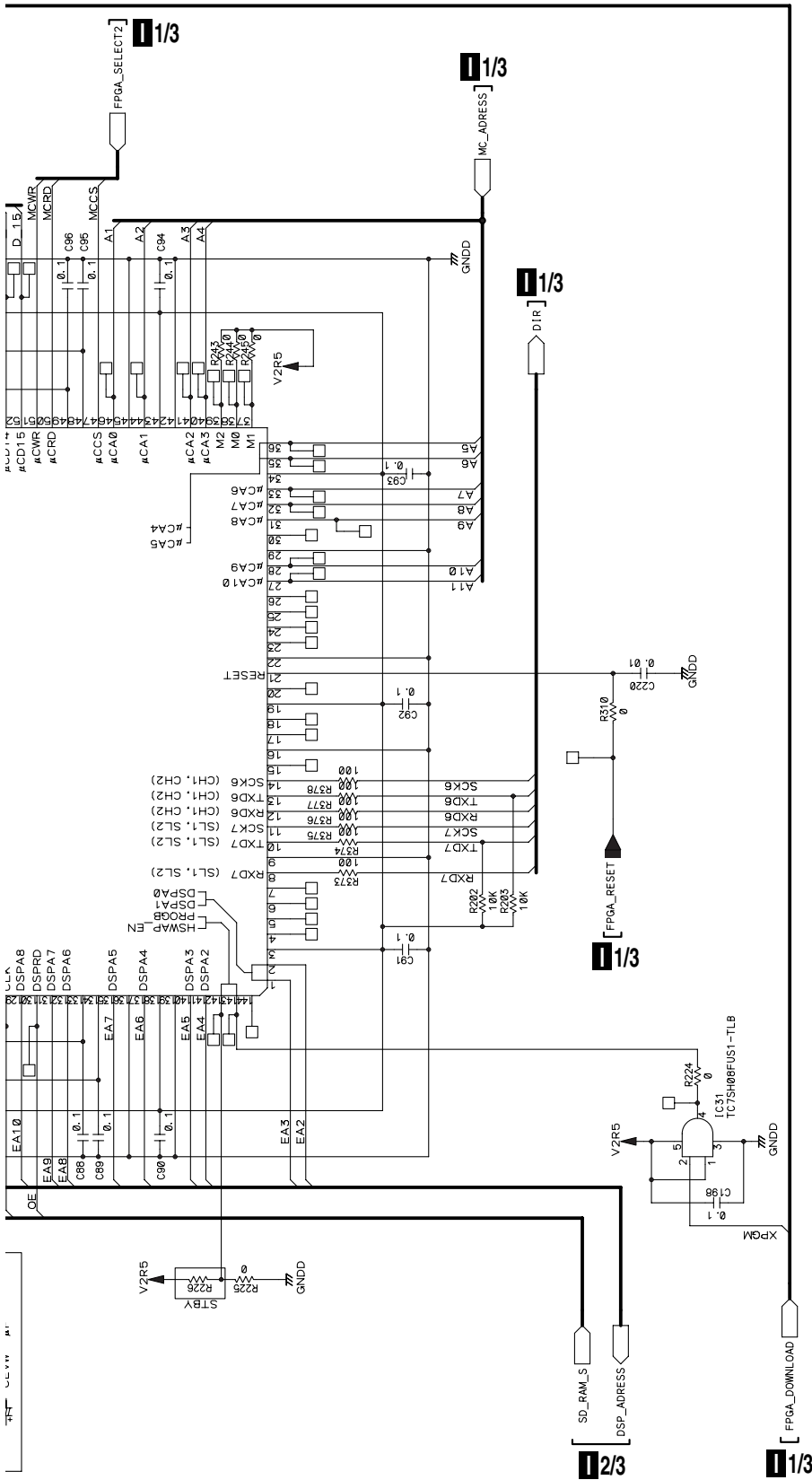


A B C D E F

# 3/3 DSP ASSY (DWX2534)(2/2)

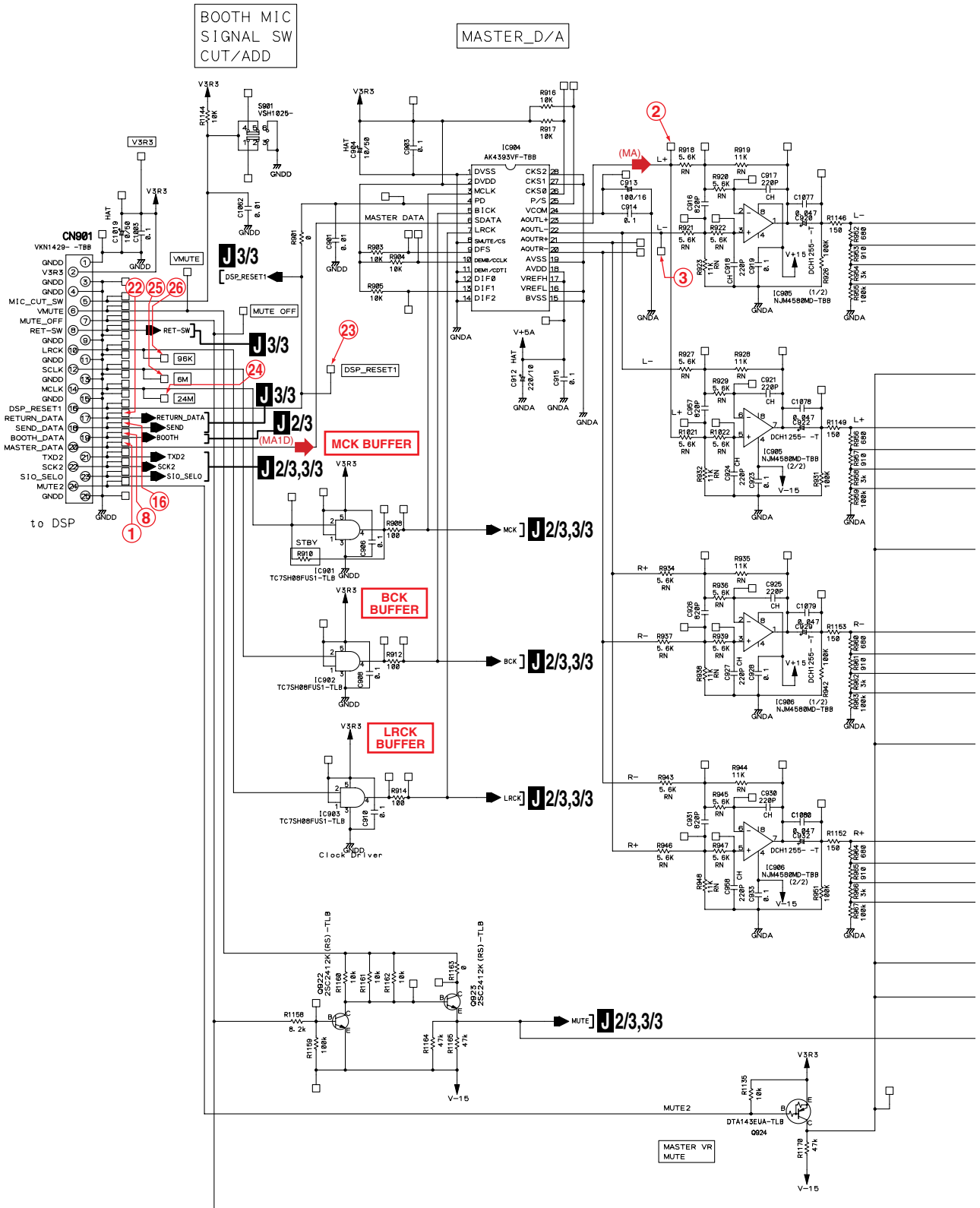
Large size SCH diagram



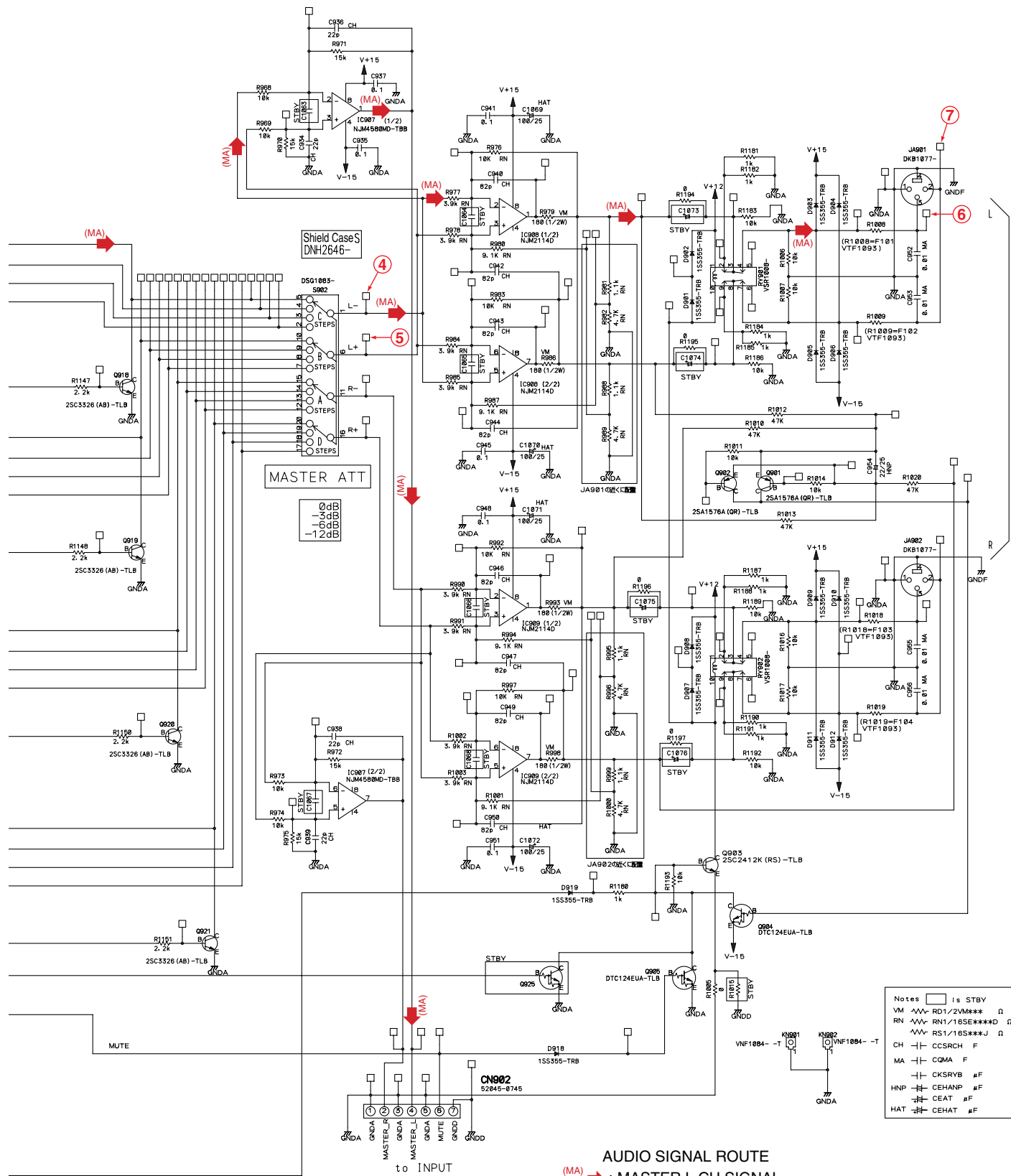


# 3.20 OUTPUT ASSY (1/3)

## J 1/3 OUTPUT ASSY (DWX2544)



## J 1/3



Shield Case S  
DNH2646-

MASTER ATT

0dB  
-3dB  
-6dB  
-12dB

Notes

- is STBY
- VM  $\sim$  RD1/2VM\*\*\*  $\Omega$
- RN  $\sim$  RN1/16S\*\*\*  $\Omega$
- $\sim$  RS1/16S\*\*\*J  $\Omega$
- CH  $\sim$  CCSRCH F
- MA  $\sim$  CGMA F
- $\sim$  CKSRVB  $\mu$ F
- HNP  $\sim$  CEHNP  $\mu$ F
- $\sim$  CEAT  $\mu$ F
- HAT  $\sim$  CEHAT  $\mu$ F

to INPUT

AUDIO SIGNAL ROUTE

(MA) : MASTER L CH SIGNAL

(MA1D) : MASTER DIGITAL CH SIGNAL

A 6/6 CN454

3.21 OUTPUT ASSY (2/3)

J 2/3 OUTPUT ASSY (DWX2544)

A

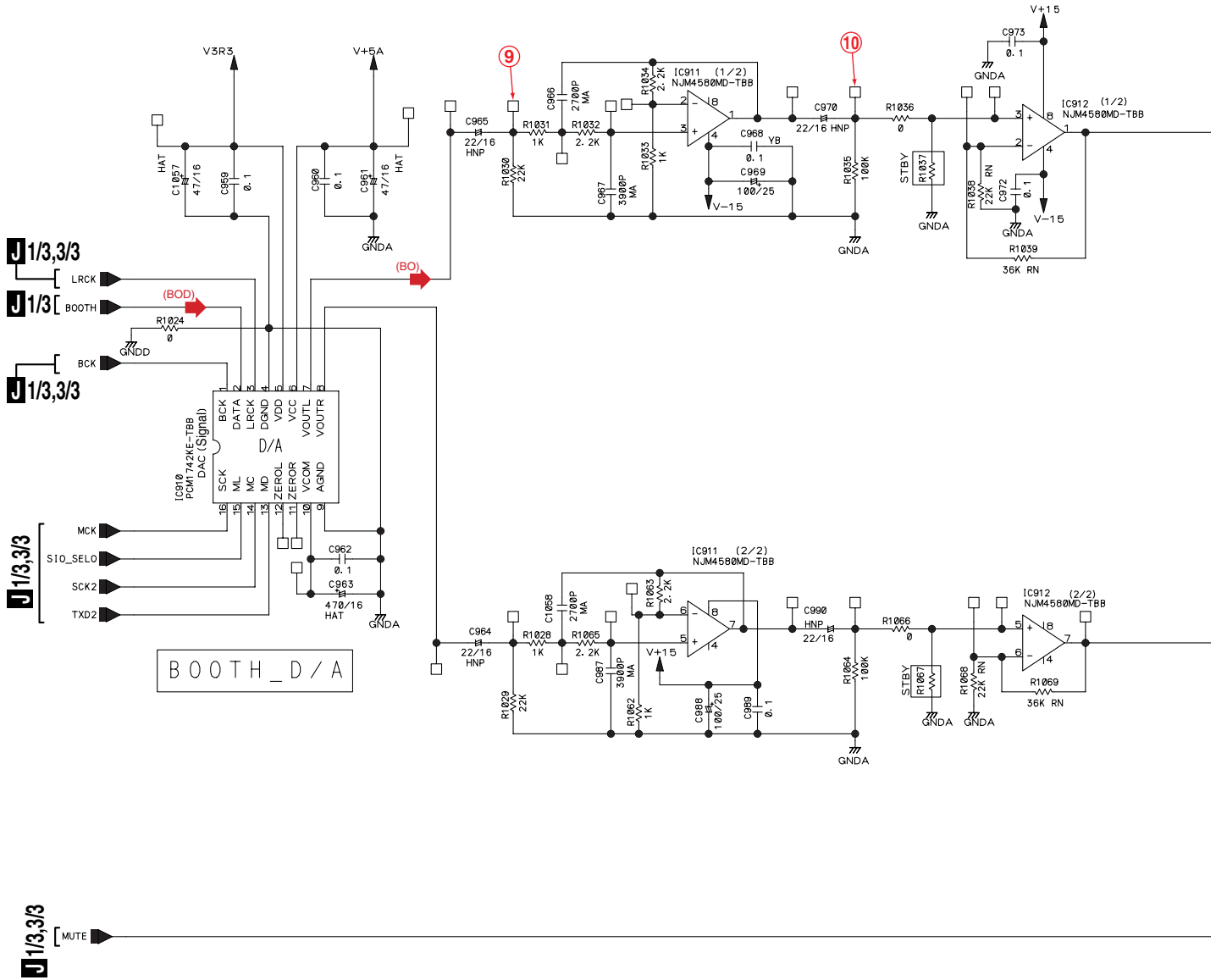
B

C

D

E

F



J 2/3



A

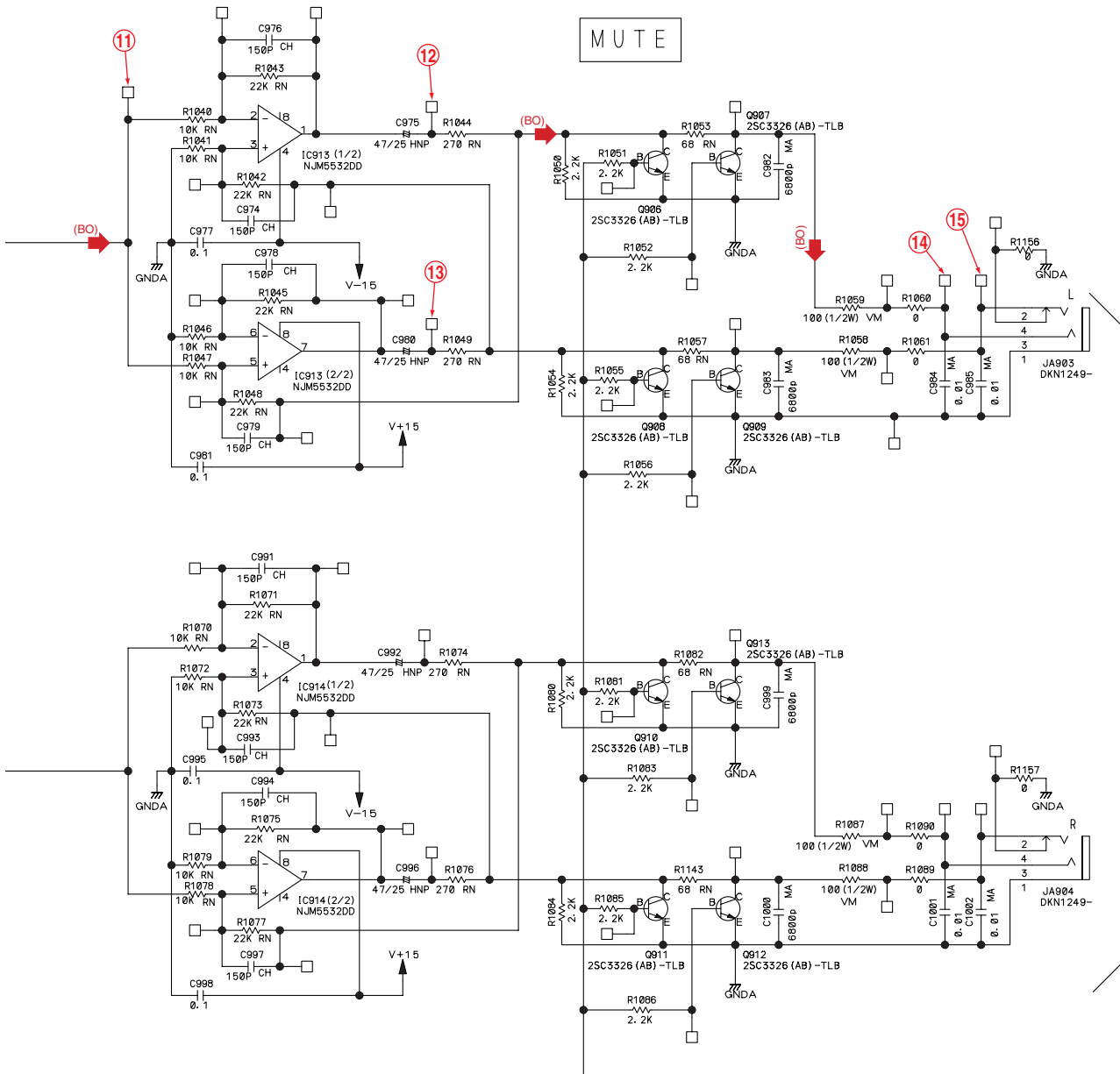
B

C

D

E

F



AUDIO SIGNAL ROUTE

(BO) → : BOOTH L CH SIGNAL  
 (BOD) → : BOOTH DIGITAL CH SIGNAL

|       |   |                |
|-------|---|----------------|
| Notes | □ | is STBY        |
| VM    | ↔ | RD1/2VM*** Ω   |
| RN    | ↔ | RN1/16SE***D Ω |
|       | ↔ | RS1/16S***J Ω  |
| CH    |   | CCSRCH F       |
| MA    |   | CQMA F         |
|       |   | CKSRYB μF      |
| HAT   |   | CEHAT μF       |
|       |   | CEAT μF        |
| HNP   |   | CEHNP μF       |

BALANCE OUT BOOTH MONITOR

# 3.22 OUTPUT ASSY (3/3)

## J 3/3 OUTPUT ASSY (DWX2544)

A

J 1/3,2/3

J 1/3 [SEND]

J 1/3,2/3

J 1/3,2/3

J 1/3,2/3 [MUTE]

D

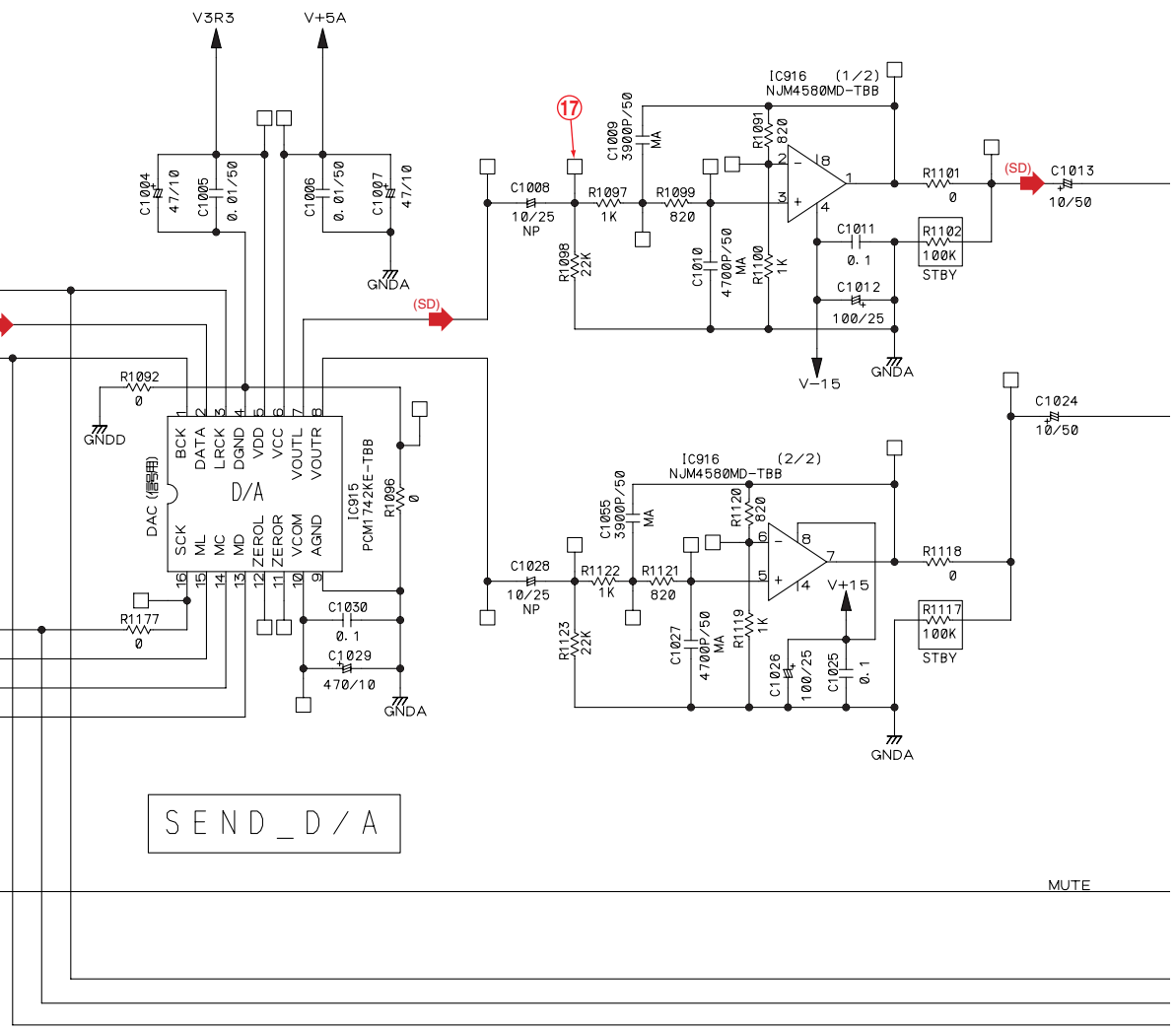
E

F

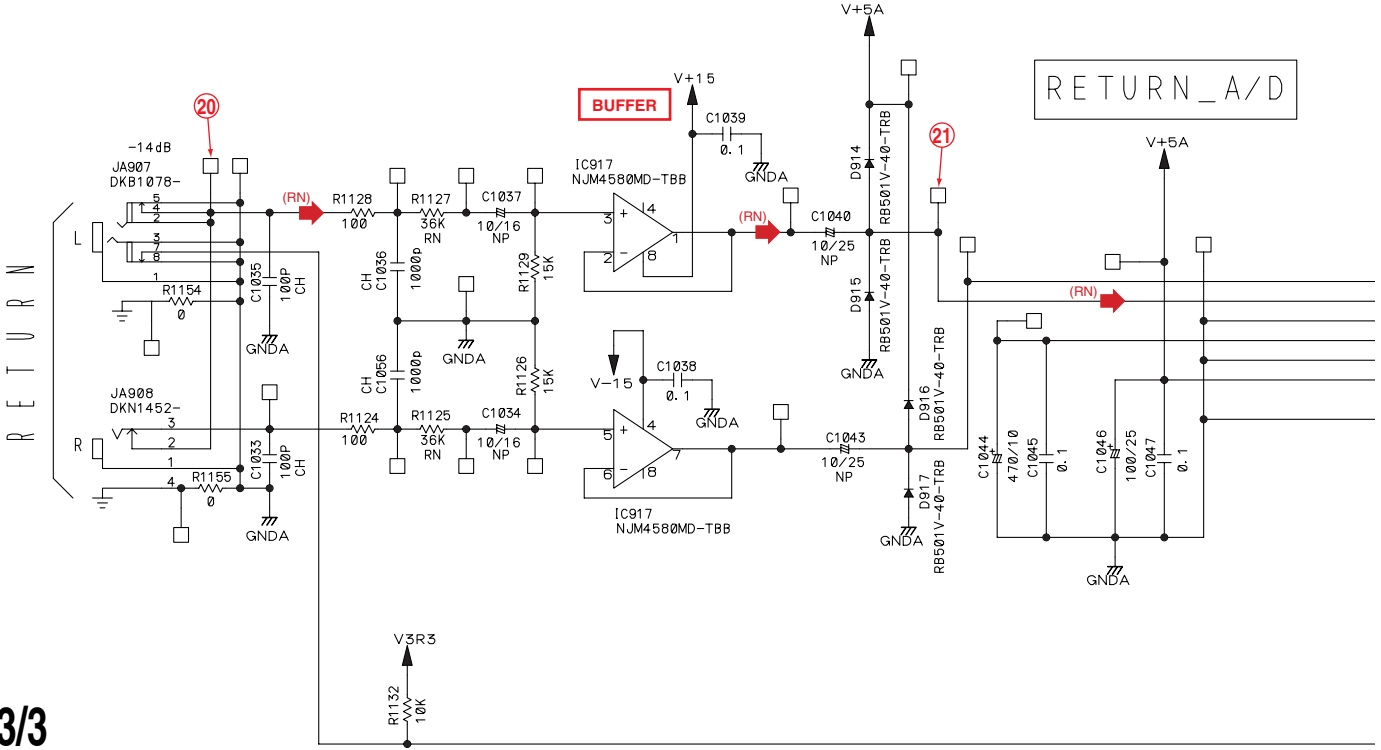
J 3/3

58

1 2 3 4



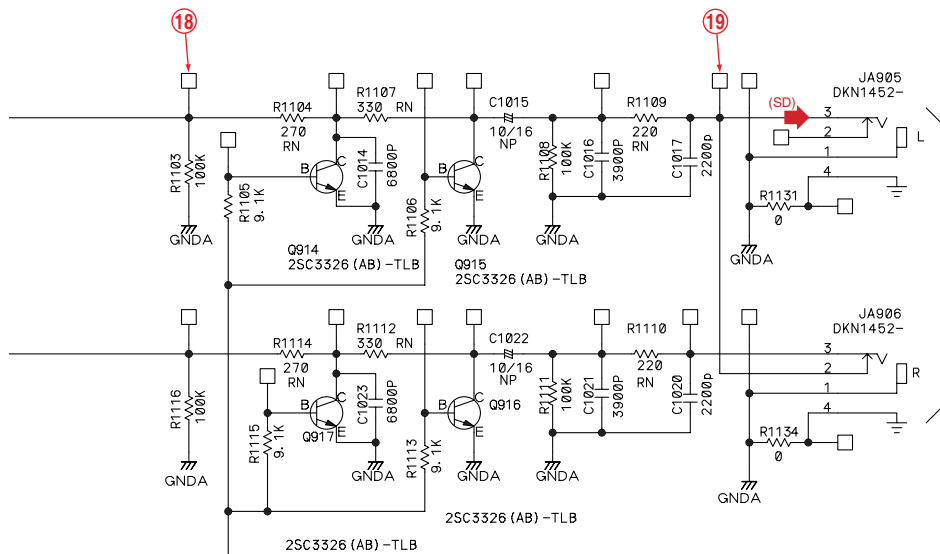
SEND\_D/A



RETURN\_A/D

DJM-800

1 2 3 4



Notes  is STBY

RN RN1/16SE\*\*\*\*D Ω

CH CCSRCH F

MA CQMA F

CKSRYB μF

CEAT μF

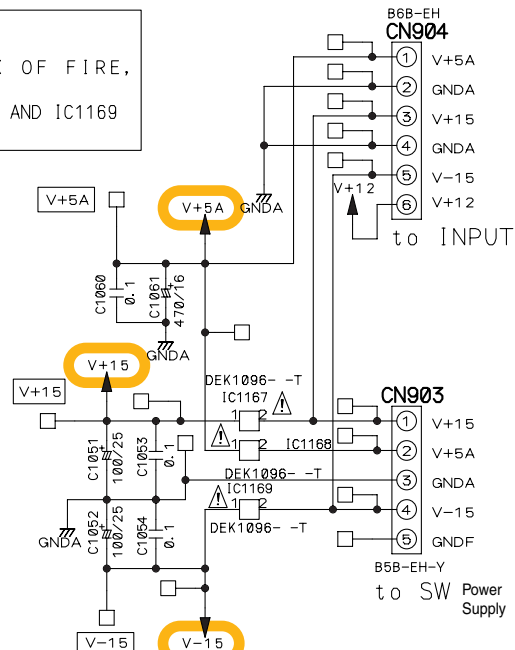
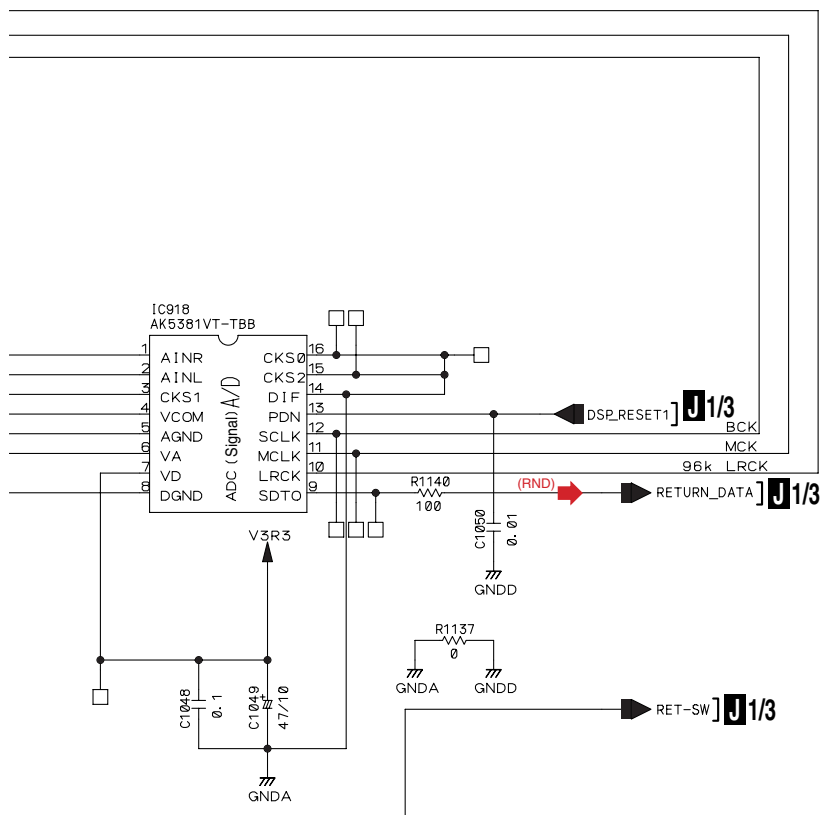
NP CEANP μF

印の部品は、指定部品（安全規格適合部品）を必ず使用すること

The mark found on some component parts should be replaced with same parts(safety regulation authorized) of identical designation

**CAUTION**

FOR CONTINUED PROTECTION AGAINST RISK OF FIRE,  
REPLACE ONLY WITH SAME TYPE NO.  
466. 750 MFD. BY LITTELFUSE INC. FOR IC1167, IC1168 AND IC1169



- AUDIO SIGNAL ROUTE**
- (SD) : SEND L CH SIGNAL
  - (SDD) : SEND DIGITAL CH SIGNAL
  - (RN) : RETURN L CH SIGNAL
  - (RND) : RETURN DIGITAL CH SIGNAL

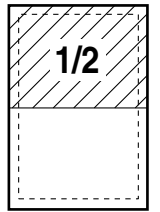
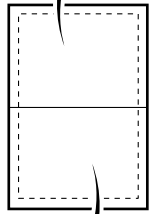
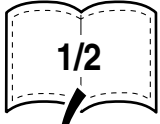
# 3.23 DIGIC ASSY

## K DIGIC ASSY (DWX2547)(1/2)

A

1/3 CN1

Large size SCH diagram



B

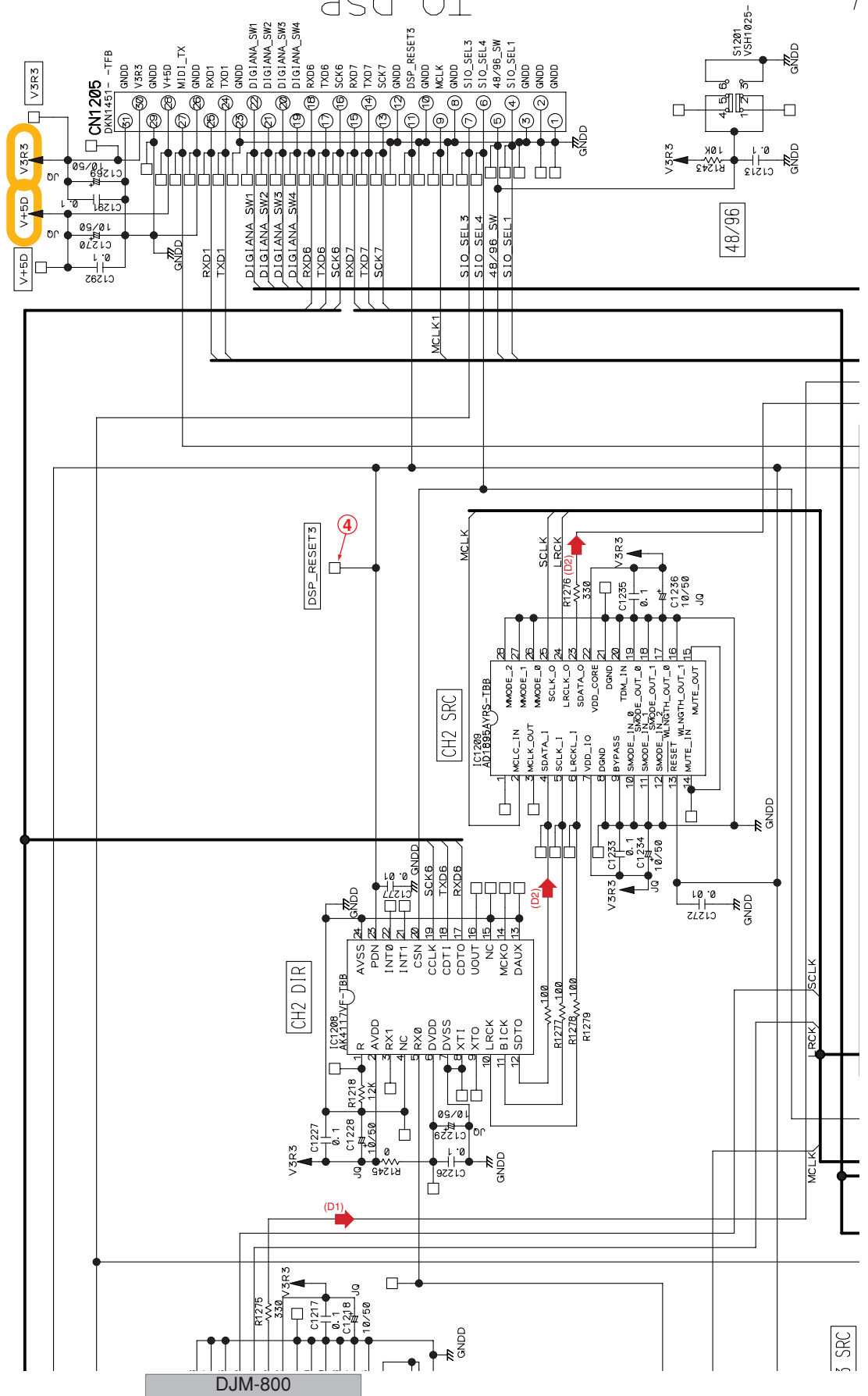
C

D

E

F

- AUDIO SIGNAL ROUTE
- (D1) : CH 1 DIGITAL SIGNAL
  - (D2) : CH 2 DIGITAL SIGNAL
  - (D3) : CH 3 DIGITAL SIGNAL
  - (D4) : CH 4 DIGITAL SIGNAL



**N** CN2401

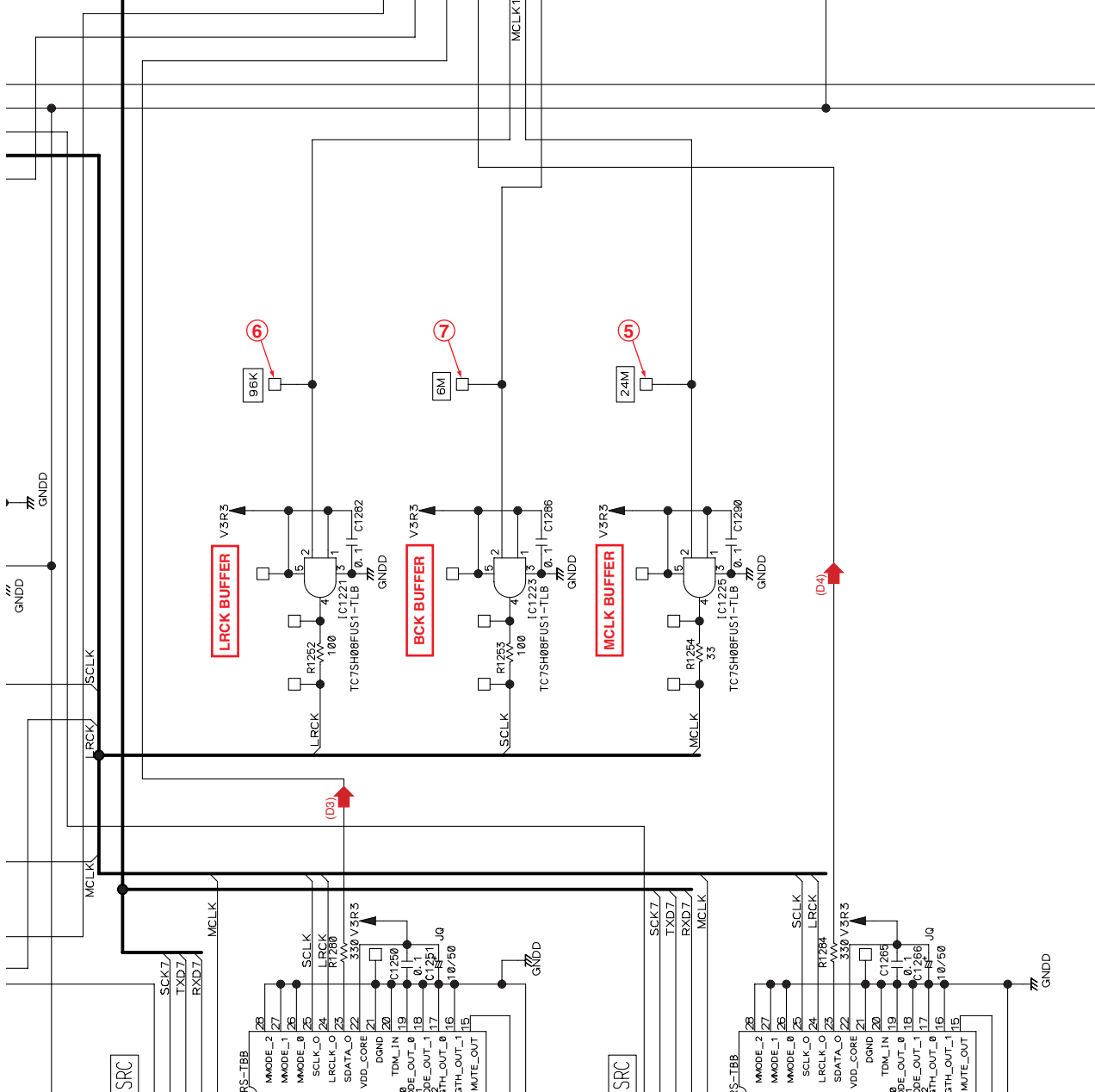
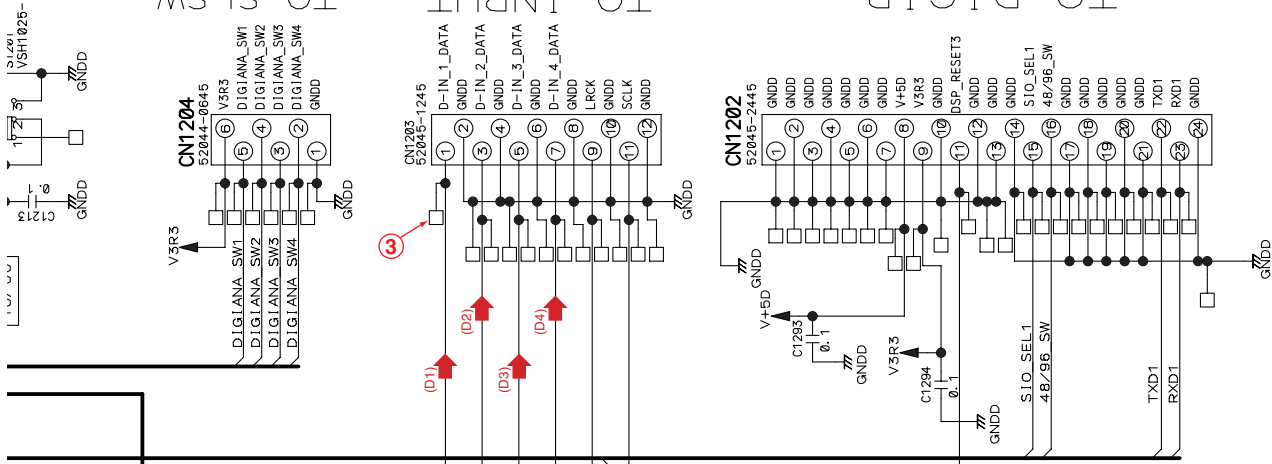
**A** 6/6 CN453

**M** CN1301

TO SLSW

TO INPUT

TO DIGIB



3 SRC

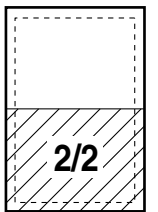
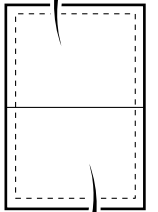
1 SRC

DJM-800

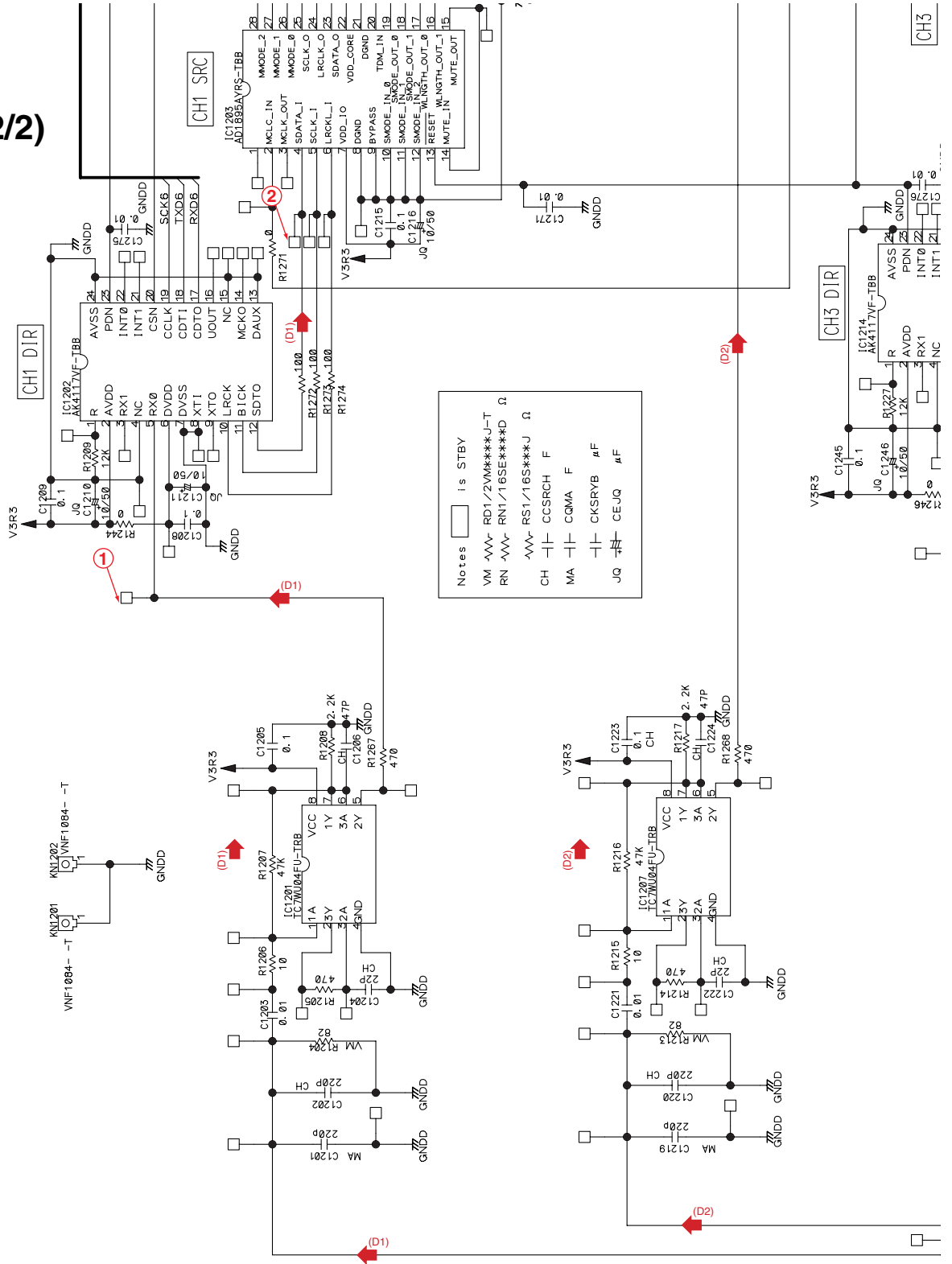
A B C D E F

# K DIGIC ASSY (DWX2547)(2/2)

Large size  
SCH diagram



- AUDIO SIGNAL ROUTE
- (D1) → CH 1 DIGITAL SIGNAL
  - (D2) → CH 2 DIGITAL SIGNAL
  - (D3) → CH 3 DIGITAL SIGNAL
  - (D4) → CH 4 DIGITAL SIGNAL



Notes

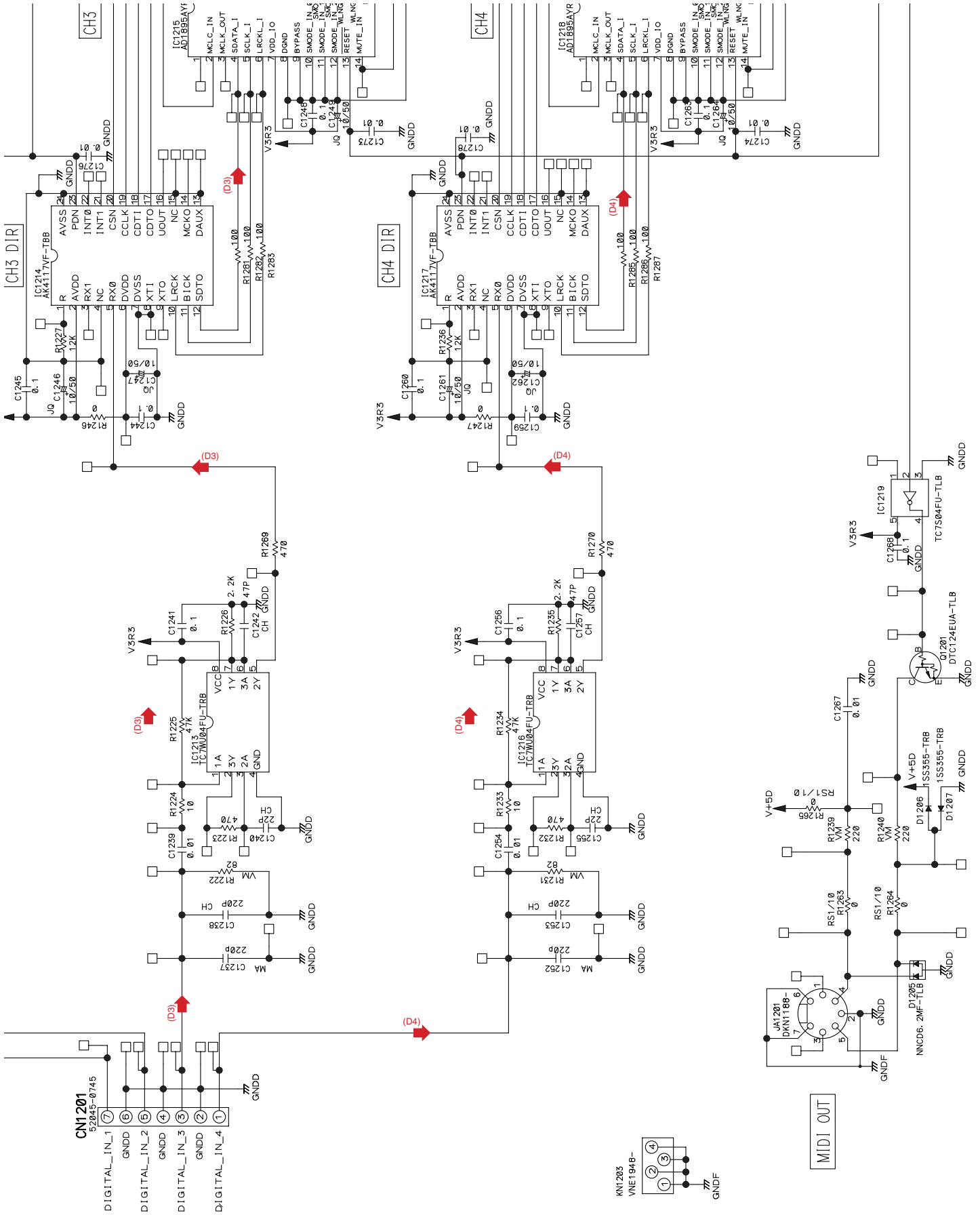
|    |                |
|----|----------------|
| is | STBY           |
| VM | 1/2VM***J-T    |
| RN | RN1/16SE***D Ω |
| CH | RS1/16S***J Ω  |
| MA | CCSRCH F       |
| MA | COMA F         |
| JG | CKRYB μF       |
| JG | CEJQ μF        |

CH1 SRC

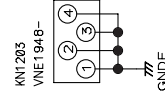
CH1 DIR

CH3 DIR

CH3



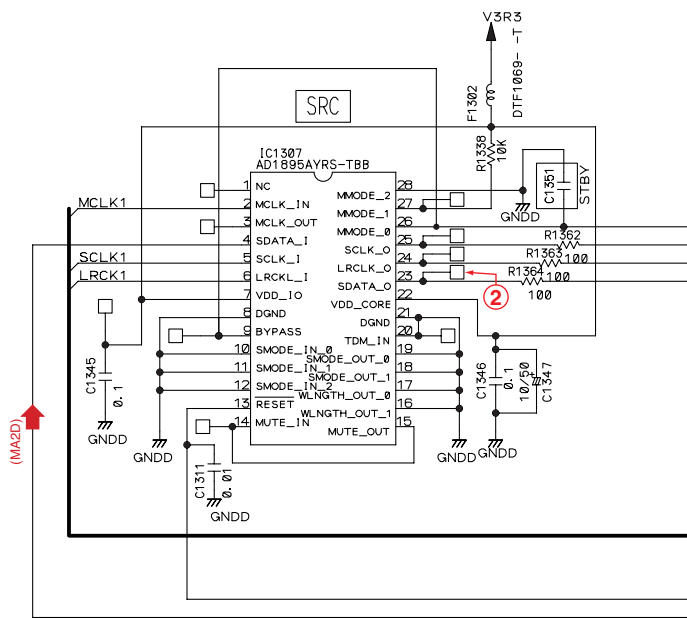
TO DIGIA  
**CN1401**  
 52045-0745



## 3.24 DIGIB ASSY

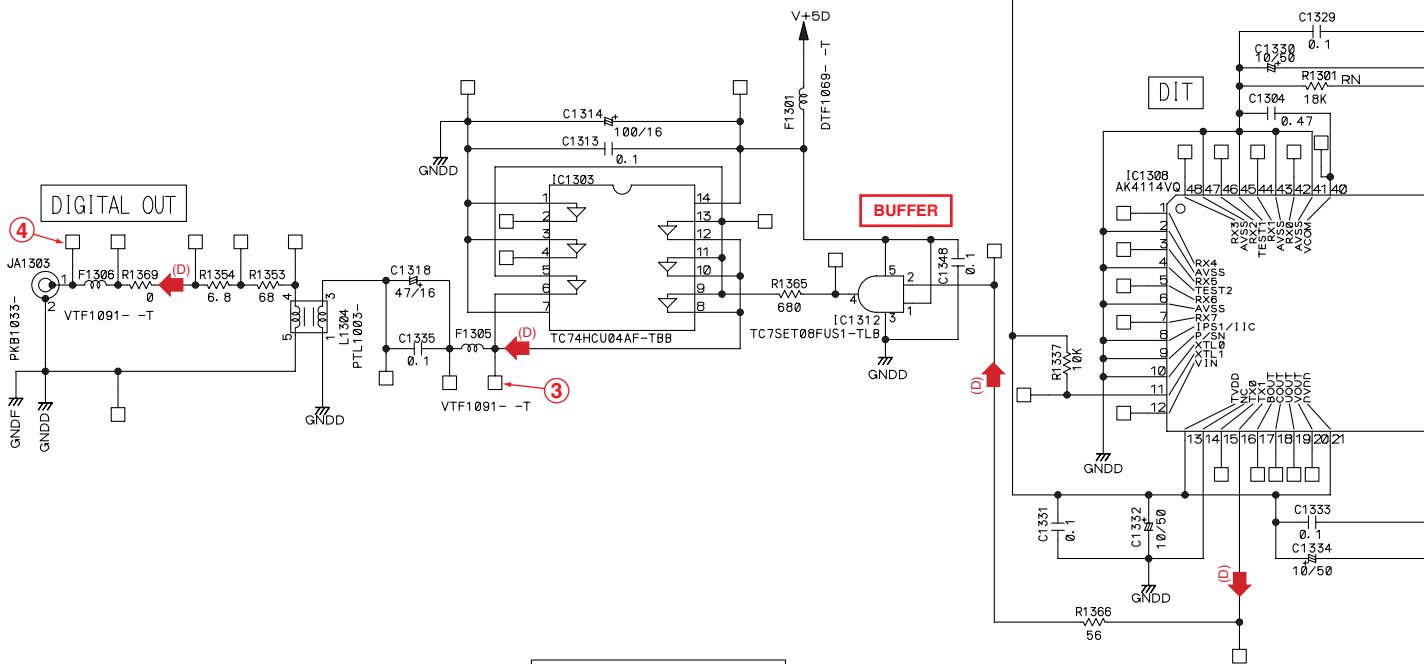
# M DIGIB ASSY (DWX2546)

A



B

C



E

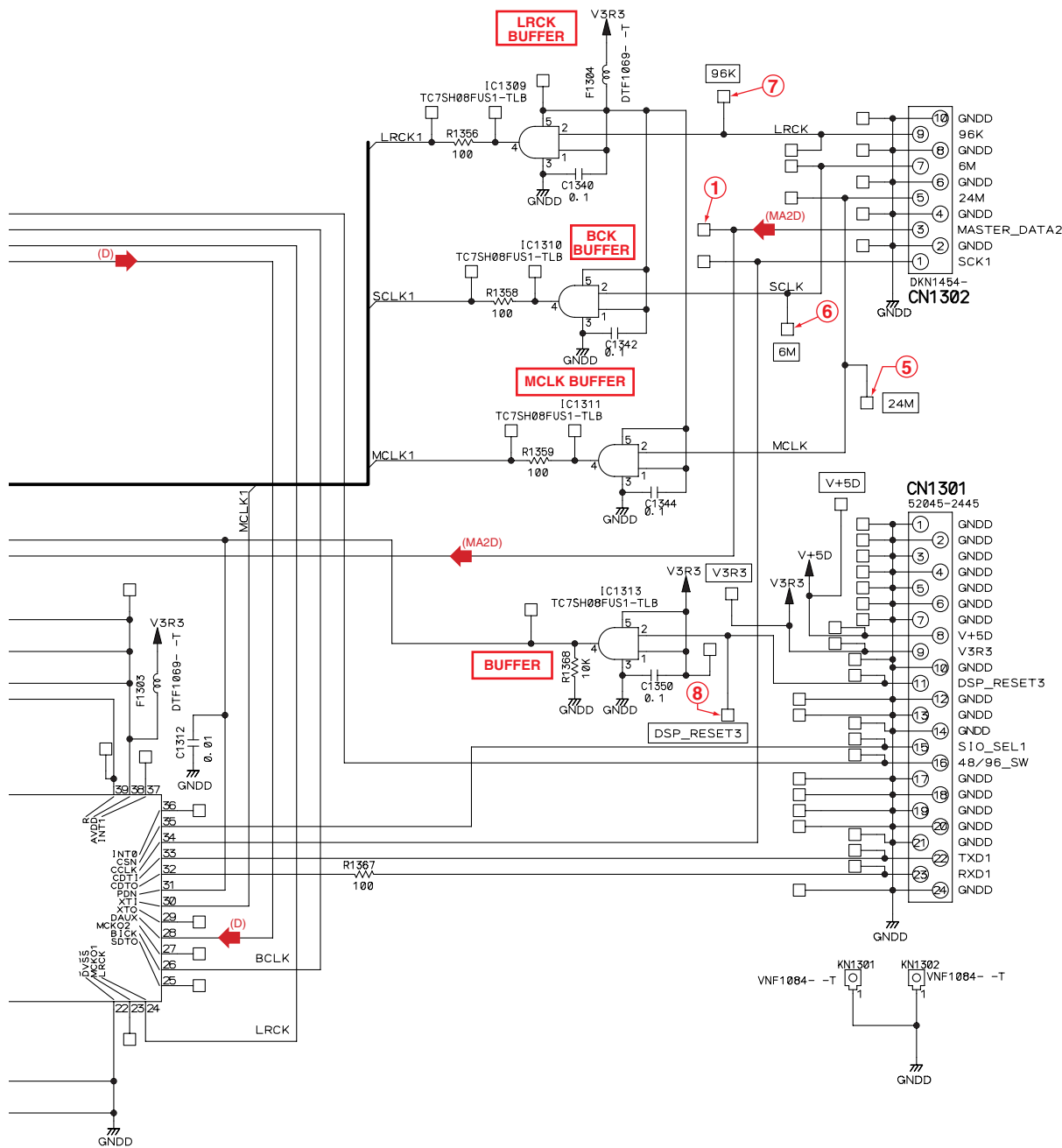
F

Notes    is STBY

|    |  |               |    |
|----|--|---------------|----|
| RN |  | RN1/16SE****D | Ω  |
|    |  | RS1/16S***J   | Ω  |
| CH |  | CCSRCH        | F  |
|    |  | CKSRYB        | μF |
|    |  | CEAT          | μF |







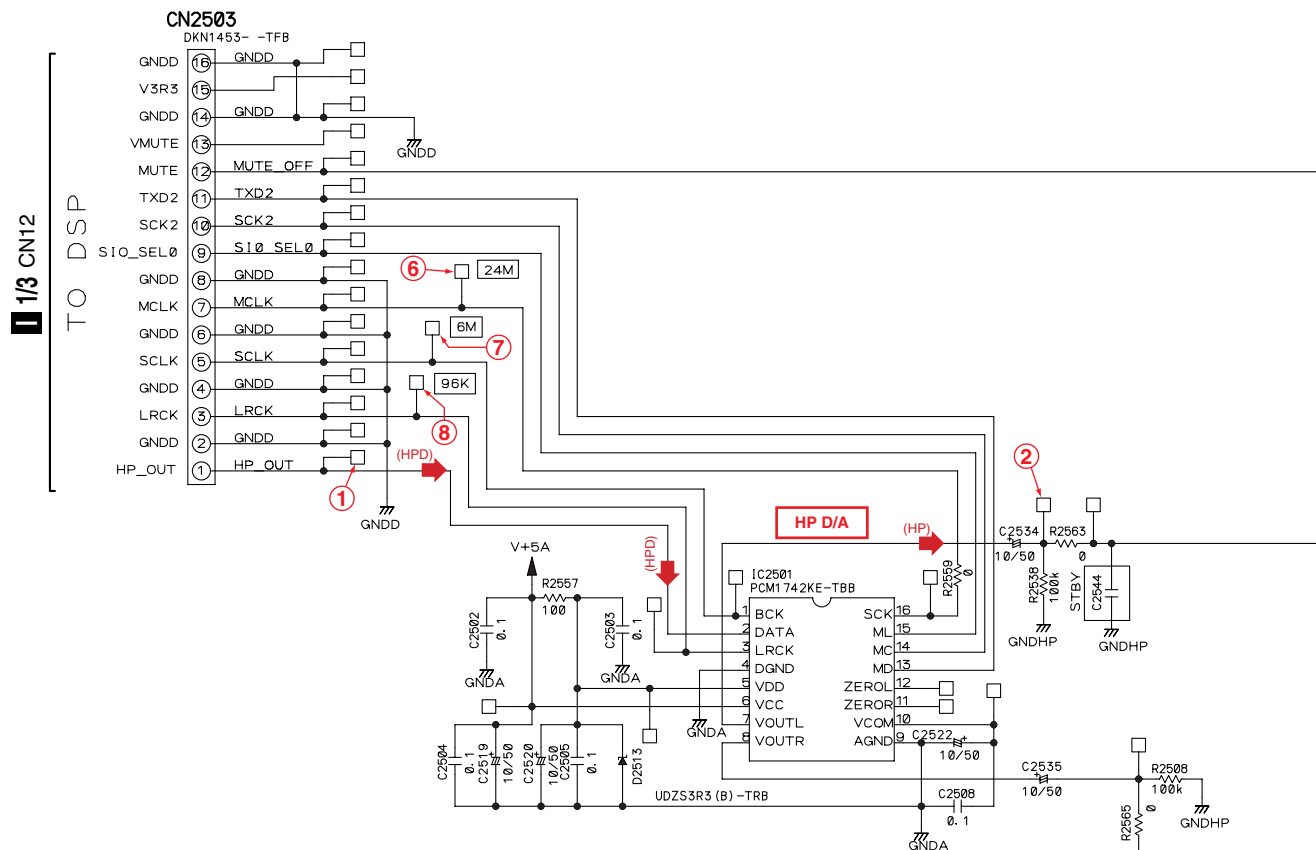
TO DSP  
**J** 3/8 CN15

TO DIGIC  
**K** CN1202

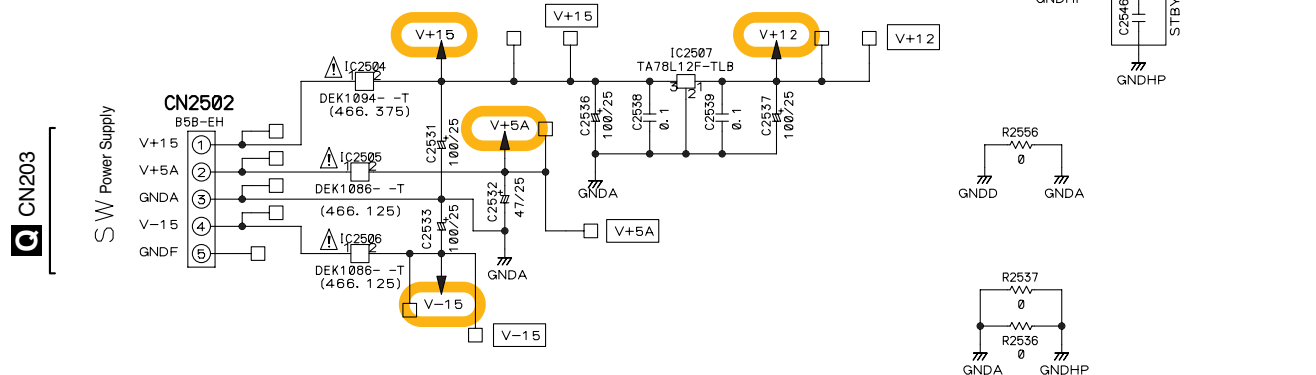
AUDIO SIGNAL ROUTE  
 (D) ➔ : DIGITAL CH SIGNAL  
 (MA2D) ➔ : MASTER DIGITAL CH SIGNAL

# 3.25 HPAMP ASSY

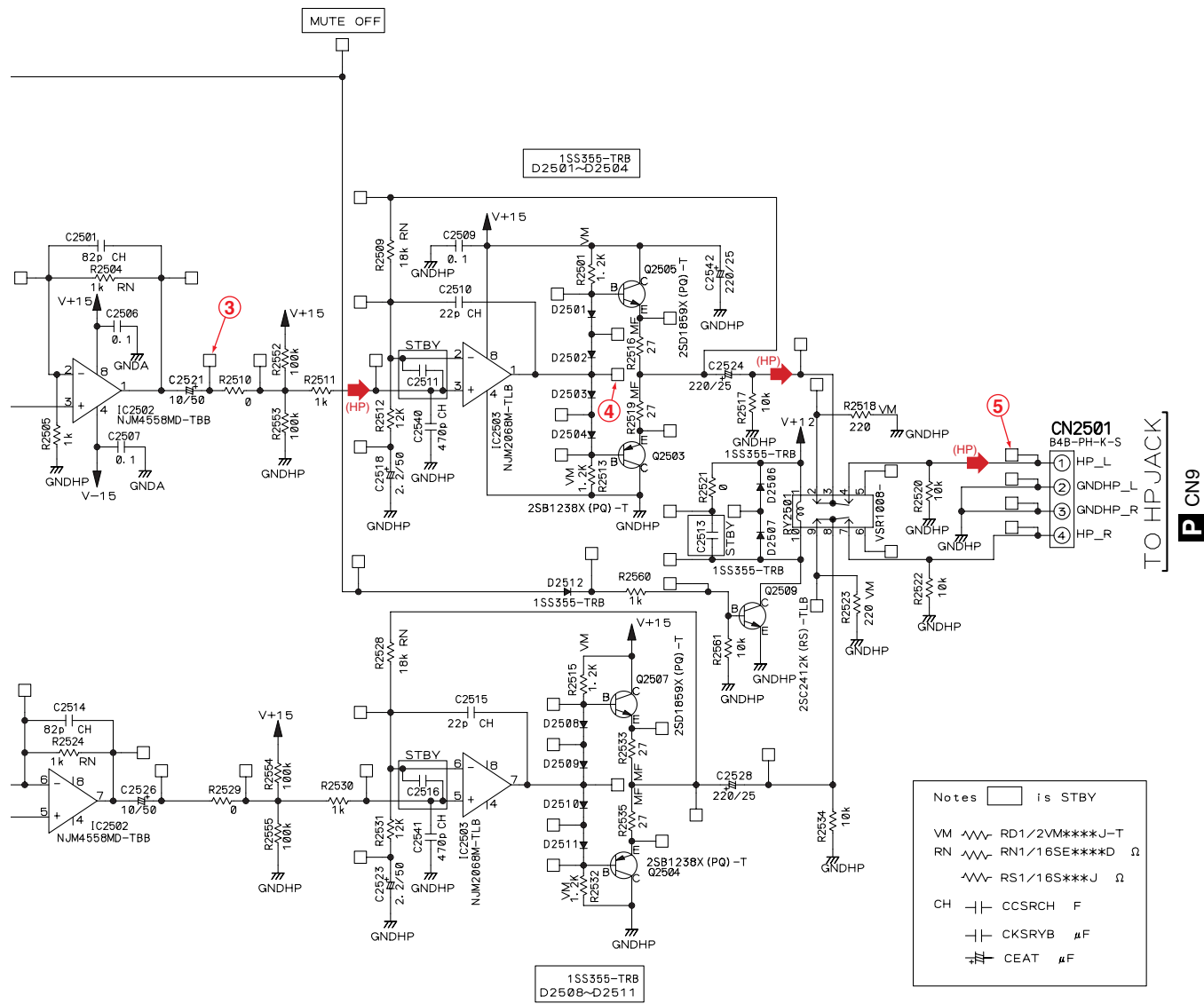
## HPAMP ASSY (DWX2556)



**CAUTION**  
 FOR CONTINUED PROTECTION AGAINST RISK OF FIRE,  
 REPLACE ONLY WITH SAME TYPE NO.  
 466.125 MFD. BY LITTELFUSE INC. FOR IC2505 AND IC2506  
 466.375 MFD. BY LITTELFUSE INC. FOR IC2504



⚠ 印の部品は、指定部品（安全規格適合部品）を必ず使用すること  
 The ⚠ mark found on some component parts should be replaced with same parts(safety regulation authorized) of identical designation



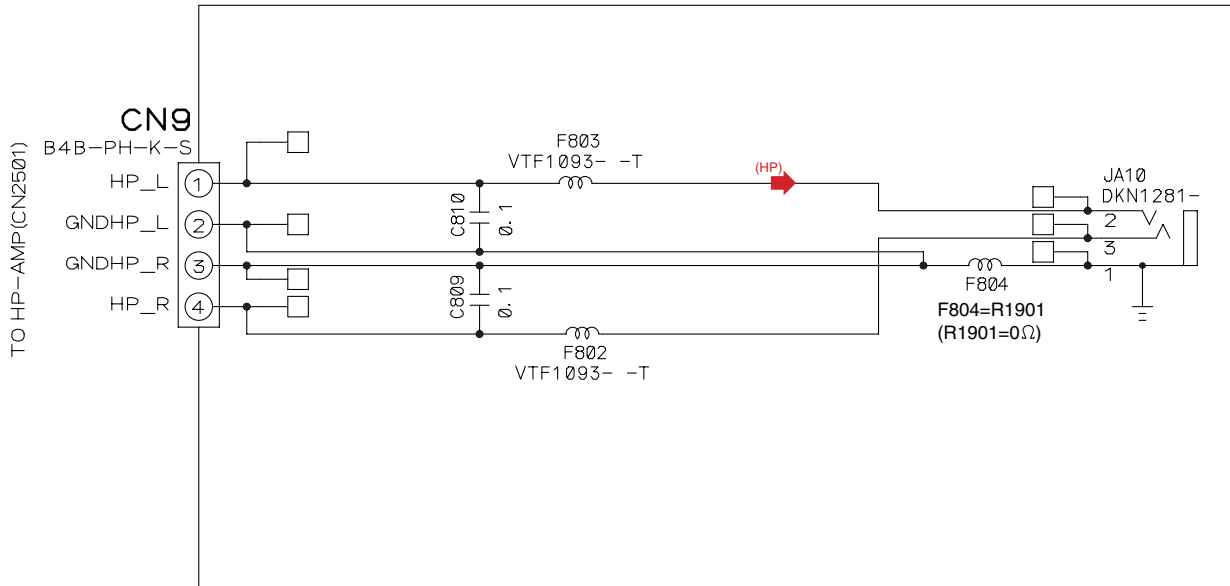
**AUDIO SIGNAL ROUTE**  
 (HP) → : HP L CH SIGNAL  
 (HPD) → : HP DIGITAL CH SIGNAL

Notes □ is STBY  
 VM  $\sim$  RD1/2VM\*\*\*\*J-T  
 RN  $\sim$  RN1/16SE\*\*\*\*D Ω  
 $\sim$  RS1/16S\*\*\*\*J Ω  
 CH  $\parallel$  CCSRCH F  
 $\parallel$  CKSRYB μF  
 $\parallel$  CEAT μF





# 3.26 HPJACK ASSYS

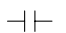
## P HPJACK ASSY (DWX2553)



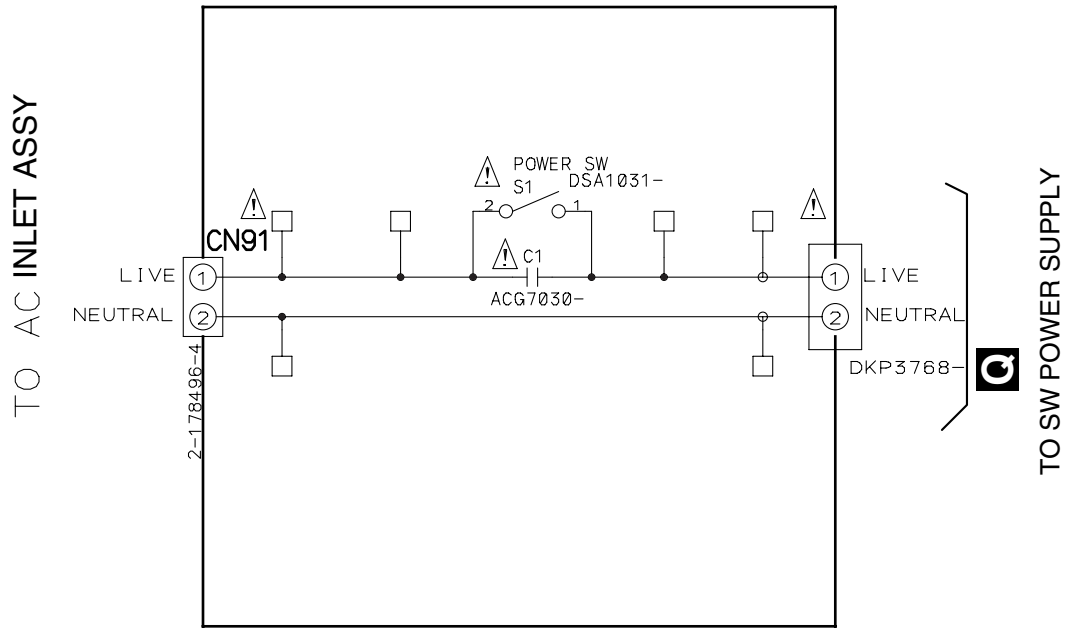
AUDIO SIGNAL ROUTE  
 (HP) → : HP L CH SIGNAL

Notes  is STBY

 RS1/16S\*\*\*J Ω

 CKSRYB μF

**R** ACSW (DWX2545)



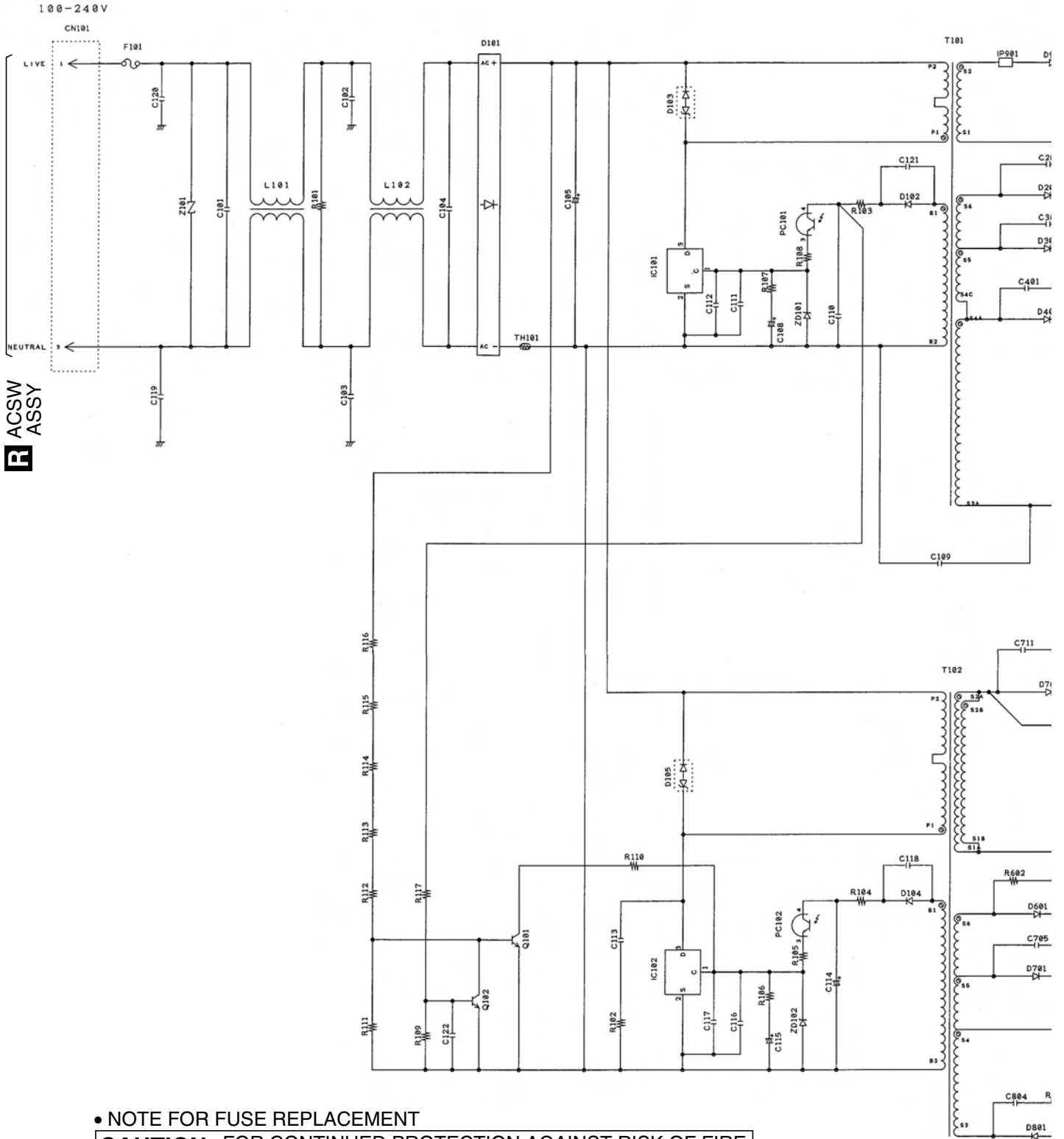
The ⚠ mark found on some component parts should be replaced with same parts (safety regulation authorized) of identical designation

# 3.28 SW POWER SUPPLY UNIT

## Q SW POWER SUPPLY UNIT (DWR1433)

### « NOTE OF SPARE PARTS IN POWER SUPPLY (SYPS) UNIT »

- In case of repairing, use the described parts only to prevent an accident.
- Please write the red ✓ mark on the board when the primary section of POWER SUPPLY (SYPS) Unit is repaired.
- Please take care to keep the space, not touching other parts when replacing the parts.

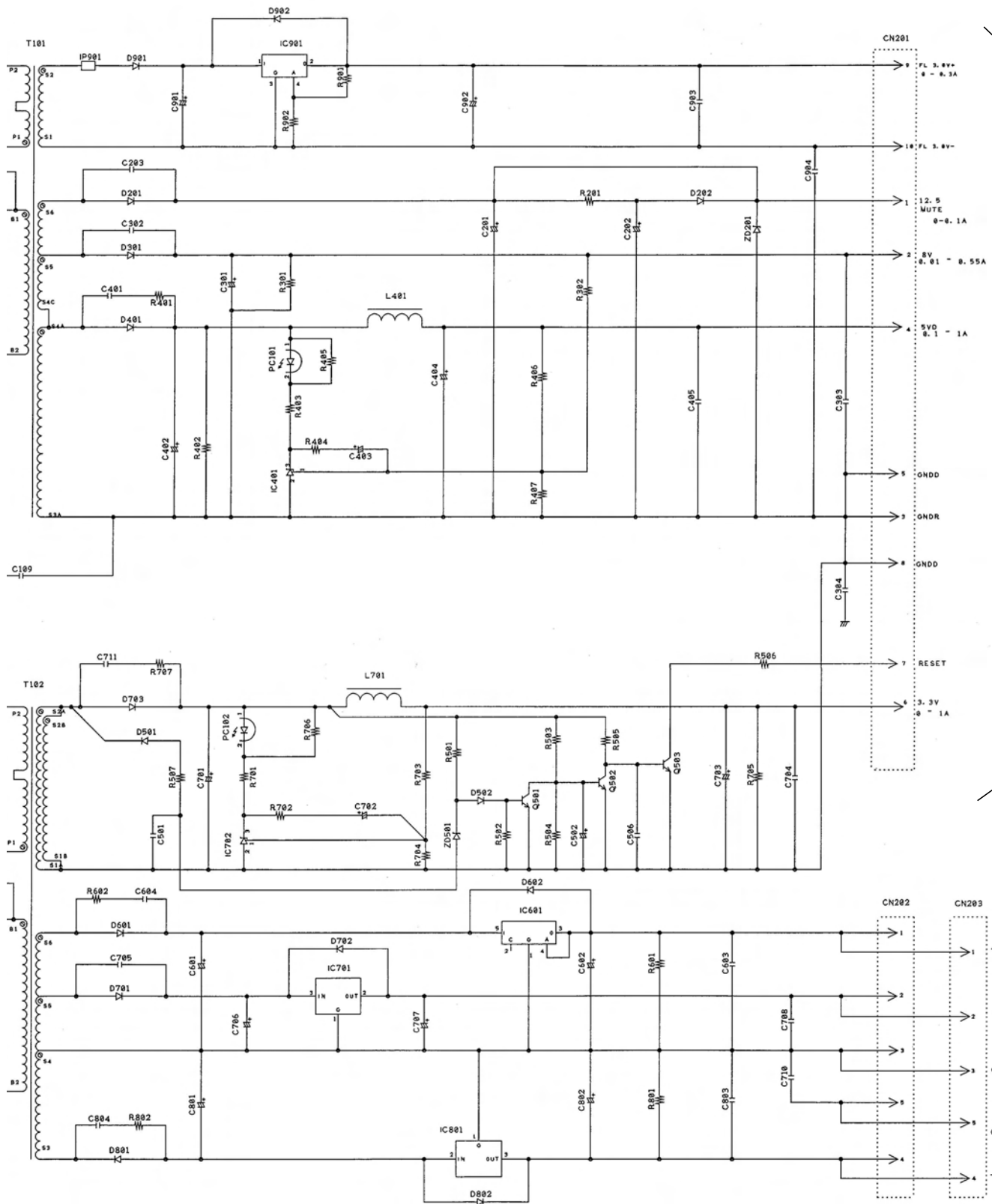


### • NOTE FOR FUSE REPLACEMENT

**CAUTION** -FOR CONTINUED PROTECTION AGAINST RISK OF FIRE. REPLACE WITH SAME TYPE AND RATINGS ONLY.



A B C D E F



1 2/3 CN 8

J CN903  
Q CN 2502

# 3.29 VOLTAGES

## Measurement Condition

|                 |                   |                    |                                        |
|-----------------|-------------------|--------------------|----------------------------------------|
| A               | Input connectors  | CD/LINE            | Nothing                                |
|                 |                   | PHONO              | Nothing                                |
|                 |                   | DIGITAL IN         | Nothing                                |
|                 |                   | RETURN             | Nothing                                |
|                 |                   | MIC1               | Nothing                                |
|                 |                   | MIC2               | Nothing                                |
| B               | Output connectors | MASTER1            | Non connction                          |
|                 |                   | MASTER2            | Non connction                          |
|                 |                   | REC                | Non connction                          |
|                 |                   | BOOTH              | Non connction                          |
|                 |                   | SEND               | Non connction                          |
|                 |                   | DIGITAL OUT        | Non connction                          |
|                 |                   | HP                 | Non connction                          |
| C               | MIC               | MIC LEVEL 1        | Max                                    |
|                 |                   | MIC LEVEL 2        | Max                                    |
|                 |                   | MIC EQ HI          | Center                                 |
|                 |                   | MIC EQ LOW         | Center                                 |
|                 |                   | MIC TKOV.          | OFF                                    |
| CFX             |                   | OFF(Lighting)      |                                        |
| FADER ST.       |                   | All Ch OFF         |                                        |
| D               | HP                | HP MONO/STEREO     | STEREO                                 |
|                 |                   | MIXING             | Center                                 |
|                 |                   | LEVEL              | Max                                    |
| E               | CH                | INPUT SELECT       | All Fully counter clock wise direction |
|                 |                   | TRIM               | Max                                    |
|                 |                   | EQ HI              | Center                                 |
|                 |                   | EQ MID             | Center                                 |
|                 |                   | EQ LOW             | Center                                 |
|                 |                   | COLOR              | Center                                 |
|                 |                   | CUE                | ALL OFF                                |
|                 |                   | FADER              | ALL Max                                |
|                 |                   | CROSS FADER ASSIGN | All Ch THRU                            |
| CRS FADER       |                   | Center             |                                        |
| F               | MASTER            | LEVEL              | Max                                    |
|                 |                   | BALANCE            | Center                                 |
|                 |                   | CUE                | OFF                                    |
|                 |                   | MONO/STEREO        | STEREO                                 |
| BOOTH MONITOR   |                   | Max                |                                        |
| CH FADER CURVE  |                   | Center             |                                        |
| CRS FADER CURVE |                   | Center             |                                        |
| G               | EFFECT            | AUTO/TAP           | AUTO                                   |
|                 |                   | MIDI START/STOP    | START                                  |
|                 |                   | CUE                | OFF                                    |
|                 |                   | EFFECT             | DERAY                                  |
|                 |                   | CHANNEL            | 1                                      |
|                 |                   | TIME               | -                                      |
|                 |                   | LEVEL/DEPTH        | Max                                    |
|                 |                   | ON/OFF             | OFF(Lighting)                          |
| H               | REAR              | DIGI/ANA SEL       | ALL DIGI                               |
|                 |                   | MASTER ATT.        | 0dB                                    |
|                 |                   | MIC SIGNAL ADD/CUT | ADD                                    |
|                 |                   | fs                 | 96K                                    |



## Voltages

### A 1/6 INPUT ASSY

IC409 (CS5361-KS-TLB)

| Pin No | Voltage (V) | Pin No | Voltage (V) |
|--------|-------------|--------|-------------|
| 1      | 3.186       | 13     | 3.192       |
| 2      | 0           | 14     | 0           |
| 3      | 1.557       | 15     | 0.725       |
| 4      | 1.539       | 16     | 2.502       |
| 5      | 1.71        | 17     | 2.408       |
| 6      | 4.851       | 18     | 0           |
| 7      | 0           | 19     | 4.962       |
| 8      | 3.223       | 20     | 2.493       |
| 9      | 1.036-1.134 | 21     | 2.507       |
| 10     | 3.178       | 22     | 2.48        |
| 11     | 0           | 23     | 0           |
| 12     | 0           | 24     | 4.192       |

### A 2/6 INPUT ASSY

IC509 (CS5361-KS-TLB)

| Pin No | Voltage (V) | Pin No | Voltage (V) |
|--------|-------------|--------|-------------|
| 1      | 3.188       | 13     | 3.188       |
| 2      | 0           | 14     | 0           |
| 3      | 1.559       | 15     | 0.783       |
| 4      | 1.541       | 16     | 2.511       |
| 5      | 1.709       | 17     | 2.497       |
| 6      | 4.848       | 18     | 0           |
| 7      | 0           | 19     | 4.964       |
| 8      | 3.224       | 20     | 2.498       |
| 9      | 1.032-1.166 | 21     | 2.512       |
| 10     | 3.221       | 22     | 2.476       |
| 11     | 0           | 23     | 0           |
| 12     | 0           | 24     | 4.724       |

### A 3/6 INPUT ASSY

IC609 (CS5361-KS-TLB)

| Pin No | Voltage (V) | Pin No | Voltage (V) |
|--------|-------------|--------|-------------|
| 1      | 3.189       | 13     | 3.221       |
| 2      | 0           | 14     | 0           |
| 3      | 1.609       | 15     | 0.668       |
| 4      | 1.541       | 16     | 2.514       |
| 5      | 1.541       | 17     | 2.5         |
| 6      | 4.852       | 18     | 0           |
| 7      | 0           | 19     | 4.964       |
| 8      | 3.225       | 20     | 2.505       |
| 9      | 1.011-1.196 | 21     | 2.522       |
| 10     | 3.221       | 22     | 2.48        |
| 11     | 0           | 23     | 0           |
| 12     | 0           | 24     | 4.931       |

### A 4/6 INPUT ASSY

IC709 (CS5361-KS-TLB)

| Pin No | Voltage (V) | Pin No | Voltage (V) |
|--------|-------------|--------|-------------|
| 1      | 3.187       | 13     | 3.215       |
| 2      | 0           | 14     | 0           |
| 3      | 1.608       | 15     | 0.616       |
| 4      | 1.541       | 16     | 2.515       |
| 5      | 1.715       | 17     | 2.499       |
| 6      | 4.859       | 18     | 0           |
| 7      | 0           | 19     | 4.967       |
| 8      | 3.223       | 20     | 2.499       |
| 9      | 1.065-1.193 | 21     | 2.514       |
| 10     | 3.22        | 22     | 2.48        |
| 11     | 0           | 23     | 0           |
| 12     | 0           | 24     | 4.933       |

### A 5/6 INPUT ASSY

IC803 (PCM1742KE-TBB)

| Pin No | Voltage (V) | Pin No | Voltage (V) |
|--------|-------------|--------|-------------|
| 1      | 1.596       | 9      | 0           |
| 2      | 1.611       | 10     | 2.412       |
| 3      | 1.56        | 11     | -           |
| 4      | 0           | 12     | -           |
| 5      | 3.223       | 13     | 0.015       |
| 6      | 4.972       | 14     | 3.19        |
| 7      | 2.505       | 15     | 0.002       |
| 8      | 2.468       | 16     | 1.733       |

### A 6/6 INPUT ASSY

IC805 (TA78L12F-TLB)

| Pin No | Voltage (V) |
|--------|-------------|
| 1      | 11.896      |
| 2      | 0           |
| 3      | 15          |

### B MIC1 ASSY

IC1501 (AK5381VT-TBB)

| Pin No | Voltage (V) |
|--------|-------------|
| 1      | 2.530       |
| 2      | 2.534       |
| 3      | 0.000       |
| 4      | 2.499       |
| 5      | 0.000       |
| 6      | 5.008       |
| 7      | 0.230       |
| 8      | 0.000       |
| 9      | 0.295       |
| 10     | 0.274       |
| 11     | 0.264       |
| 12     | 0.270       |
| 13     | 0.072       |
| 14     | 0.000       |
| 15     | 0.000       |
| 16     | 0.000       |

### C PANEL1 ASSY

IC1706 (TC74HC238AF-TBB)

| Pin No | Voltage (V) | Pin No | Voltage (V) |
|--------|-------------|--------|-------------|
| 1      | 1.624       | 9      | -           |
| 2      | 1.086       | 10     | 0.533       |
| 3      | 1.086       | 11     | 0.533       |
| 4      | 0           | 12     | 0.534       |
| 5      | 0           | 13     | 0.534       |
| 6      | 3.243       | 14     | 0.534       |
| 7      | 0           | 15     | 0.533       |
| 8      | 0           | 16     | 3.242       |

### C PANEL1 ASSY

IC1707 (TC74HC238AF-TBB)

| Pin No | Voltage (V) | Pin No | Voltage (V) |
|--------|-------------|--------|-------------|
| 1      | 1.624       | 9      | -           |
| 2      | 1.085       | 10     | 0.533       |
| 3      | 1.086       | 11     | 0.533       |
| 4      | 0           | 12     | 0.533       |
| 5      | 0           | 13     | 0.533       |
| 6      | 3.242       | 14     | 0.533       |
| 7      | -           | 15     | 0.532       |
| 8      | 0           | 16     | 3.242       |

### C PANEL1 ASSY

IC1708 (TC74HC238AF-TBB)

| Pin No | Voltage (V) | Pin No | Voltage (V) |
|--------|-------------|--------|-------------|
| 1      | 1.622       | 9      | 0.402       |
| 2      | 1.622       | 10     | 0.403       |
| 3      | 1.622       | 11     | 0.403       |
| 4      | 0           | 12     | 0.403       |
| 5      | 0           | 13     | 0.403       |
| 6      | 3.24        | 14     | 0.403       |
| 7      | 0.406       | 15     | 0.405       |
| 8      | 0           | 16     | 3.24        |

### C PANEL1 ASSY

IC1711 (TC74HC273AF-TBB)

| Pin No | Voltage (V) | Pin No | Voltage (V) |
|--------|-------------|--------|-------------|
| 1      | 3.204       | 11     | 3.242       |
| 2      | 0           | 12     | 0.442       |
| 3      | 0.175       | 13     | 0.158       |
| 4      | 0.156       | 14     | 0.159       |
| 5      | 0           | 15     | 0.886       |
| 6      | 0           | 16     | 0.442       |
| 7      | 0.17        | 17     | 0.158       |
| 8      | 0.16        | 18     | 0.165       |
| 9      | 0           | 19     | 0.886       |
| 10     | 0           | 20     | 3.24        |

### C PANEL1 ASSY

IC1712 (TC74HC273AF-TBB)

| Pin No | Voltage (V) | Pin No | Voltage (V) |
|--------|-------------|--------|-------------|
| 1      | 3.204       | 11     | 3.241       |
| 2      | 0           | 12     | 0           |
| 3      | 0.167       | 13     | 0.151       |
| 4      | 0.155       | 14     | 0.159       |
| 5      | 0           | 15     | 0           |
| 6      | 0           | 16     | 0           |
| 7      | 0.17        | 17     | 0.157       |
| 8      | 0.159       | 18     | 0.164       |
| 9      | 0           | 19     | 0           |
| 10     | 0           | 20     | 3.24        |

### C PANEL1 ASSY

IC1713 (TC74HC273AF-TBB)

| Pin No | Voltage (V) | Pin No | Voltage (V) |
|--------|-------------|--------|-------------|
| 1      | 3.203       | 11     | 3.241       |
| 2      | 0           | 12     | 0           |
| 3      | 0.166       | 13     | 0.157       |
| 4      | 0.155       | 14     | 0.152       |
| 5      | 0           | 15     | 0           |
| 6      | 0           | 16     | 0           |
| 7      | 0.168       | 17     | 0.157       |
| 8      | 0.158       | 18     | 0           |
| 9      | 0           | 19     | 3.239       |
| 10     | 0           | 20     | 3.239       |

### F PANEL2 ASSY

IC2102 (NJM2903M-TLB)

| Pin No | Voltage (V) |
|--------|-------------|
| 1      | 3.24        |
| 2      | 0.005       |
| 3      | 3.238       |
| 4      | 0           |
| 5      | 0           |
| 6      | -           |
| 7      | -           |
| 8      | 3.242       |

### 1/3 DSP ASSY

#### IC1 (PEG236A)

| Pin No | Voltage (V) | Pin No | Voltage (V) | Pin No | Voltage (V) |
|--------|-------------|--------|-------------|--------|-------------|
| 1      | 3.188       | 61     | 0.026       | 121    | 3.170       |
| 2      | 0.000       | 62     | 0.000       | 122    | 3.167       |
| 3      | 0.036       | 63     | 0.443       | 123    | 3.168       |
| 4      | 3.203       | 64     | 0.357       | 124    | 1.842       |
| 5      | —           | 65     | 0.562       | 125    | 3.060       |
| 6      | 1.003–1.478 | 66     | 0.555       | 126    | 3.056       |
| 7      | 1.568–1.913 | 67     | 0.551       | 127    | 3.064       |
| 8      | 2.698       | 68     | 0.358       | 128    | 0.021       |
| 9      | 1.377       | 69     | 0.689       | 129    | 0.000       |
| 10     | 0.000       | 70     | 0.000       | 130    | 3.067       |
| 11     | 1.202       | 71     | 0.567       | 131    | 3.050       |
| 12     | 0.422       | 72     | 3.171       | 132    | 3.043       |
| 13     | 1.025       | 73     | 0.551       | 133    | 0.035       |
| 14     | 0.029       | 74     | 0.680       | 134    | —           |
| 15     | 2.817       | 75     | 0.293       | 135    | 3.057       |
| 16     | 2.679       | 76     | 0.284       | 136    | 3.049       |
| 17     | 0.581       | 77     | 0.282       | 137    | 3.083       |
| 18     | 0.000       | 78     | 0.278       | 138    | 2.863       |
| 19     | 0.024       | 79     | 0.280       | 139    | 0.030       |
| 20     | 3.162       | 80     | 0.278       | 140    | —           |
| 21     | 0.024       | 81     | 2.234       | 141    | 0.083       |
| 22     | 0.024       | 82     | 1.822       | 142    | 1.109       |
| 23     | 2.545       | 83     | 1.822       | 143    | 0.139       |
| 24     | 3.187       | 84     | —           | 144    | 0.139       |
| 25     | 0.000       | 85     | 0.007       |        |             |
| 26     | 3.175       | 86     | 3.129       |        |             |
| 27     | 3.183       | 87     | 3.143       |        |             |
| 28     | 3.183       | 88     | 3.143       |        |             |
| 29     | 0.024       | 89     | 3.156       |        |             |
| 30     | 3.183       | 90     | —           |        |             |
| 31     | 3.183       | 91     | 2.977       |        |             |
| 32     | 0.099       | 92     | 3.146       |        |             |
| 33     | 3.173       | 93     | 0.519       |        |             |
| 34     | 0.026       | 94     | 0.514       |        |             |
| 35     | 3.175       | 95     | 0.000       |        |             |
| 36     | 0.026       | 96     | —           |        |             |
| 37     | 2.246       | 97     | 1.599       |        |             |
| 38     | 2.246       | 98     | 3.161       |        |             |
| 39     | 3.176       | 99     | 3.162       |        |             |
| 40     | 0.000       | 100    | —           |        |             |
| 41     | 3.182       | 101    | —           |        |             |
| 42     | 0.970       | 102    | 0.000       |        |             |
| 43     | 0.114       | 103    | 3.192 *     |        |             |
| 44     | 0.109       | 104    | 2.257       |        |             |
| 45     | 1.381       | 105    | 2.256       |        |             |
| 46     | 0.978       | 106    | 0.024       |        |             |
| 47     | 1.376       | 107    | 3.159       |        |             |
| 48     | 0.116       | 108    | 3.181       |        |             |
| 49     | 0.114       | 109    | 3.180       |        |             |
| 50     | 0.000       | 110    | 3.180       |        |             |
| 51     | 2.250       | 111    | 3.182       |        |             |
| 52     | 2.247       | 112    | 3.183       |        |             |
| 53     | 2.247       | 113    | 1.390       |        |             |
| 54     | —           | 114    | 1.576       |        |             |
| 55     | 0.026       | 115    | 1.596       |        |             |
| 56     | 0.024       | 116    | 1.603       |        |             |
| 57     | 0.549       | 117    | 1.581       |        |             |
| 58     | 0.705       | 118    | 2.501       |        |             |
| 59     | 0.026       | 119    | 3.146       |        |             |
| 60     | 0.026       | 120    | 2.988       |        |             |

\* Hang-up assumes that I touch it.

### 2/3 DSP ASSY

#### IC22 (D610A003BPYP A225-K)

| Pin No | Voltage (V) | Pin No | Voltage (V) | Pin No | Voltage (V) | Pin No | Voltage (V) |
|--------|-------------|--------|-------------|--------|-------------|--------|-------------|
| 1      | 3.234–3.695 | 61     | 3.214       | 121    | 3.264       | 181    | 1.048       |
| 2      | —           | 62     | 0.013       | 122    | 3.264       | 182    | 0.000       |
| 3      | 1.140       | 63     | 2.948       | 123    | 3.267       | 183    | 3.241       |
| 4      | 0.000       | 64     | 3.080       | 124    | 1.187       | 184    | 0.010       |
| 5      | 3.238       | 65     | 3.239       | 125    | 0.000       | 185    | 3.239       |
| 6      | —           | 66     | 0.000       | 126    | 3.266       | 186    | 3.239       |
| 7      | —           | 67     | 1.038       | 127    | 3.267       | 187    | 3.238       |
| 8      | 0.000       | 68     | 0.378       | 128    | 3.267       | 188    | 3.241       |
| 9      | 3.270       | 69     | 3.073       | 129    | 3.267       | 189    | 0.000       |
| 10     | 0.000       | 70     | 3.082       | 130    | 3.267       | 190    | 1.054       |
| 11     | 1.160       | 71     | 3.080       | 131    | 3.267       | 191    | 3.238       |
| 12     | 1.590       | 72     | 3.239       | 132    | 3.267       | 192    | 3.238       |
| 13     | 0.001       | 73     | 0.000       | 133    | 1.187       | 193    | 3.238       |
| 14     | 1.040       | 74     | 3.062       | 134    | 0.000       | 194    | 0.000       |
| 15     | 0.000       | 75     | 0.010       | 135    | —           | 195    | 1.187       |
| 16     | 1.488       | 76     | 1.642       | 136    | —           | 196    | 1.187       |
| 17     | 0.001       | 77     | 0.940       | 137    | —           | 197    | 0.000       |
| 18     | 0.001       | 78     | —           | 138    | 3.233       | 198    | —           |
| 19     | 1.488       | 79     | 3.209       | 139    | 1.520       | 199    | 0.000       |
| 20     | 3.265       | 80     | 1.037       | 140    | 1.488       | 200    | —           |
| 21     | 1.538       | 81     | 0.000       | 141    | 3.237       | 201    | 1.186       |
| 22     | 1.187       | 82     | —           | 142    | 0.000       | 202    | 3.241       |
| 23     | 0.000       | 83     | 3.219       | 143    | 1.026       | 203    | 0.000       |
| 24     | 1.538       | 84     | 3.239       | 144    | 1.032       | 204    | 2.337       |
| 25     | 3.270       | 85     | 0.000       | 145    | 1.065       | 205    | 3.261       |
| 26     | 0.000       | 86     | 0.006       | 146    | 1.062       | 206    | 3.264       |
| 27     | 3.266       | 87     | 3.240       | 147    | 1.013       | 207    | 0.000       |
| 28     | 1.603       | 88     | 0.000       | 148    | 0.000       | 208    | 1.185       |
| 29     | 1.187       | 89     | 1.038       | 149    | 1.049       |        |             |
| 30     | 0.000       | 90     | 0.569–3.225 | 150    | 1.281       |        |             |
| 31     | 0.001       | 91     | 0.011       | 151    | —           |        |             |
| 32     | —           | 92     | 0.011       | 152    | —           |        |             |
| 33     | 0.000       | 93     | 0.011       | 153    | 1.489       |        |             |
| 34     | 0.000       | 94     | 0.354–3.014 | 154    | 0.000       |        |             |
| 35     | 1.187       | 95     | 0.004       | 155    | 1.522       |        |             |
| 36     | —           | 96     | 1.187       | 156    | 3.240       |        |             |
| 37     | 0.000       | 97     | 0.000       | 157    | 1.049       |        |             |
| 38     | —           | 98     | 3.266       | 158    | 0.000       |        |             |
| 39     | 0.001       | 99     | 0.002       | 159    | 1.587       |        |             |
| 40     | 1.042       | 100    | 0.002       | 160    | 3.240       |        |             |
| 41     | 0.000       | 101    | —           | 161    | 1.587       |        |             |
| 42     | 0.000       | 102    | 2.686       | 162    | 3.240       |        |             |
| 43     | 1.041       | 103    | 3.266       | 163    | 0.000       |        |             |
| 44     | 3.238       | 104    | 1.187       | 164    | —           |        |             |
| 45     | 0.000       | 105    | 1.187       | 165    | —           |        |             |
| 46     | 1.040       | 106    | 0.000       | 166    | —           |        |             |
| 47     | 3.238       | 107    | 3.266       | 167    | —           |        |             |
| 48     | 0.000       | 108    | 3.266       | 168    | —           |        |             |
| 49     | 0.000       | 109    | —           | 169    | 1.490       |        |             |
| 50     | 1.040       | 110    | 3.266       | 170    | 0.000       |        |             |
| 51     | 1.039       | 111    | 3.266       | 171    | 1.049       |        |             |
| 52     | 0.000       | 112    | 3.266       | 172    | —           |        |             |
| 53     | 1.039       | 113    | 3.266       | 173    | 0.000       |        |             |
| 54     | 0.000       | 114    | 3.266       | 174    | —           |        |             |
| 55     | 3.239       | 115    | 0.000       | 175    | 0.000       |        |             |
| 56     | —           | 116    | 1.187       | 176    | 3.202       |        |             |
| 57     | —           | 117    | 3.266       | 177    | 1.049       |        |             |
| 58     | 3.239       | 118    | 3.266       | 178    | 0.000       |        |             |
| 59     | 0.000       | 119    | 3.263       | 179    | —           |        |             |
| 60     | 1.038       | 120    | 3.264       | 180    | 0.000       |        |             |

**2/3 DSP ASSY****IC11 (K4S641632H-TC75-K)**

| Pin No | Voltage (V) | Pin No | Voltage (V) |
|--------|-------------|--------|-------------|
| 1      | 3.253       | 28     | 0.000       |
| 2      | 3.113       | 29     | 3.180       |
| 3      | 3.253       | 30     | 3.167       |
| 4      | 3.100       | 31     | 3.168       |
| 5      | 3.109       | 32     | 3.143       |
| 6      | 0.000       | 33     | 0.129       |
| 7      | 3.105       | 34     | 0.125       |
| 8      | 3.098       | 35     | 0.165       |
| 9      | 3.253       | 36     | -           |
| 10     | 3.092       | 37     | 3.237       |
| 11     | 3.089       | 38     | 1.669       |
| 12     | 0.000       | 39     | 3.174       |
| 13     | 3.092       | 40     | -           |
| 14     | 3.252       | 41     | 0.000       |
| 15     | 3.175       | 42     | 3.077       |
| 16     | 3.230       | 43     | 3.253       |
| 17     | 3.206       | 44     | 3.108       |
| 18     | 3.224       | 45     | 3.138       |
| 19     | 3.219       | 46     | 0.000       |
| 20     | 1.012-3.024 | 47     | 3.034       |
| 21     | 1.010-3.084 | 48     | 3.142       |
| 22     | 0.139       | 49     | 3.253       |
| 23     | 0.119       | 50     | 3.151       |
| 24     | 3.058       | 51     | 3.029       |
| 25     | 3.139       | 52     | 0.000       |
| 26     | 3.245       | 53     | 3.064       |
| 27     | 3.253       | 54     | 0.000       |

**2/3 DSP ASSY****IC12 (MBM29LV400TC-70PFTN)**

| Pin No | Voltage (V) | Pin No | Voltage (V) |
|--------|-------------|--------|-------------|
| 1      | 0.146       | 25     | 0.128       |
| 2      | 0.158       | 26     | 3.238       |
| 3      | 1.013-3.112 | 27     | 0.000       |
| 4      | 0.984-3.103 | 28     | 3.225       |
| 5      | 0.164       | 29     | 3.103       |
| 6      | 0.138       | 30     | 3.076       |
| 7      | 0.131       | 31     | 3.090       |
| 8      | 0.111       | 32     | 3.107       |
| 9      | -           | 33     | 3.103       |
| 10     | -           | 34     | 3.141       |
| 11     | 3.229       | 35     | 3.102       |
| 12     | 0.557       | 36     | 3.035       |
| 13     | -           | 37     | 3.251       |
| 14     | -           | 38     | 3.085       |
| 15     | -           | 39     | 3.145       |
| 16     | -           | 40     | 3.087       |
| 17     | 0.185       | 41     | 3.151       |
| 18     | 0.517       | 42     | 3.079       |
| 19     | 3.169       | 43     | 0.266       |
| 20     | 3.169       | 44     | 0.264       |
| 21     | 3.182       | 45     | 3.059       |
| 22     | 3.246       | 46     | 0.000       |
| 23     | 3.139       | 47     | 3.253       |
| 24     | 3.063       | 48     | 0.025       |

**3/3 DSP ASSY****IC13 (XC3S50-4TQG144C-K)**

| Pin No | Voltage (V) | Pin No | Voltage (V) | Pin No | Voltage (V) |
|--------|-------------|--------|-------------|--------|-------------|
| 1      | 2.994       | 61     | 1.215       | 121    | 0.604       |
| 2      | 0.126       | 62     | 2.514       | 122    | 0.661       |
| 3      | 3.183       | 63     | 0.706       | 123    | 0.610       |
| 4      | -           | 64     | 0.021       | 124    | 0.614       |
| 5      | -           | 65     | 0.084       | 125    | 0.604       |
| 6      | -           | 66     | 3.179       | 126    | 0.595       |
| 7      | -           | 67     | 0.000       | 127    | 1.216       |
| 8      | 1.579       | 68     | 0.361       | 128    | 1.240       |
| 9      | 0.020       | 69     | 0.585       | 129    | 1.251       |
| 10     | 0.052       | 70     | 0.713       | 130    | 1.233       |
| 11     | 3.176       | 71     | 2.541       | 131    | 1.706       |
| 12     | 1.577       | 72     | 2.521       | 132    | 1.745       |
| 13     | 0.053       | 73     | 0.381       | 133    | 1.676       |
| 14     | 3.175       | 74     | 0.562       | 134    | 1.701       |
| 15     | -           | 75     | 3.181       | 135    | 1.771       |
| 16     | 0.000       | 76     | 0.583       | 136    | 0.000       |
| 17     | -           | 77     | 0.587       | 137    | 1.801       |
| 18     | -           | 78     | 0.557       | 138    | 1.712       |
| 19     | 3.182       | 79     | 0.467       | 139    | 0.000       |
| 20     | -           | 80     | -           | 140    | 1.851       |
| 21     | 3.176       | 81     | 0.000       | 141    | 1.784       |
| 22     | 0.000       | 82     | -           | 142    | 1.720       |
| 23     | -           | 83     | -           | 143    | 1.725       |
| 24     | -           | 84     | 0.359       | 144    | -           |
| 25     | -           | 85     | 0.021       |        |             |
| 26     | -           | 86     | 0.021       |        |             |
| 27     | 1.047       | 87     | 0.021       |        |             |
| 28     | 2.665       | 88     | 0.000       |        |             |
| 29     | 0.020       | 89     | 0.021       |        |             |
| 30     | -           | 90     | 0.022       |        |             |
| 31     | 2.803       | 91     | 3.181       |        |             |
| 32     | 0.025       | 92     | 0.021       |        |             |
| 33     | 1.029       | 93     | 0.021       |        |             |
| 34     | 3.182       | 94     | 0.000       |        |             |
| 35     | 0.435       | 95     | -           |        |             |
| 36     | 1.196       | 96     | -           |        |             |
| 37     | 2.524       | 97     | 3.028       |        |             |
| 38     | 2.525       | 98     | 3.018       |        |             |
| 39     | 2.525       | 99     | 3.030       |        |             |
| 40     | 1.412       | 100    | 3.019       |        |             |
| 41     | 2.646       | 101    | 0.000       |        |             |
| 42     | 0.000       | 102    | 3.016       |        |             |
| 43     | 3.181       | 103    | 3.028       |        |             |
| 44     | 1.595-1.927 | 104    | 3.003       |        |             |
| 45     | 0.000       | 105    | 3.021       |        |             |
| 46     | 1.048-1.458 | 106    | 3.182       |        |             |
| 47     | 3.153       | 107    | 3.018       |        |             |
| 48     | 2.514       | 108    | 3.070       |        |             |
| 49     | 1.215       | 109    | -           |        |             |
| 50     | 3.174       | 110    | -           |        |             |
| 51     | 3.161       | 111    | -           |        |             |
| 52     | 0.329       | 112    | 3.040       |        |             |
| 53     | 0.334       | 113    | 3.082       |        |             |
| 54     | 3.182       | 114    | 0.000       |        |             |
| 55     | 0.332       | 115    | 0.604       |        |             |
| 56     | 0.334       | 116    | 0.856       |        |             |
| 57     | -           | 117    | 0.000       |        |             |
| 58     | -           | 118    | 0.880       |        |             |
| 59     | 0.335       | 119    | 0.793       |        |             |
| 60     | 0.336       | 120    | 0.605       |        |             |

**3/3 DSP ASSY****IC14 (R1224N102H-TLB)**

| Pin No | Voltage (V) |
|--------|-------------|
| 1      | 2.783       |
| 2      | 0.020       |
| 3      | 1.020       |
| 4      | 2.002       |
| 5      | 3.201       |

**3/3 DSP ASSY****IC16 (NJM2374AM-TFB)**

| Pin No | Voltage (V) | Pin No | Voltage (V) |
|--------|-------------|--------|-------------|
| 1      | 13.862      | 5      | 1.268       |
| 2      | 0.000       | 6      | 8.813       |
| 3      | 0.792       | 7      | 8.767       |
| 4      | 0.000       | 8      | 6.840       |

**3/3 DSP ASSY****IC15 (S-1200B25-M5-TRB)**

| Pin No | Voltage (V) |
|--------|-------------|
| 1      | 3.237       |
| 2      | 0.000       |
| 3      | 3.236       |
| 4      | -           |
| 5      | 2.510       |

**1/3 OUTPUT ASSY****IC904 (AK4393VF-TBB)**

| Pin No | Voltage (V) | Pin No | Voltage (V) |
|--------|-------------|--------|-------------|
| 1      | 0.000       | 15     | 0.000       |
| 2      | 3.221       | 16     | 0.000       |
| 3      | 1.698       | 17     | 4.977       |
| 4      | 3.188       | 18     | 4.977       |
| 5      | 1.529       | 19     | 0.000       |
| 6      | 0.004       | 20     | 2.621       |
| 7      | 1.558       | 21     | 2.620       |
| 8      | 0.000       | 22     | 2.623       |
| 9      | 2.940       | 23     | 2.623       |
| 10     | 3.202       | 24     | 2.629       |
| 11     | 0.000       | 25     | 3.217       |
| 12     | 0.000       | 26     | 3.219       |
| 13     | 3.219       | 27     | 0.000       |
| 14     | 0.000       | 28     | 0.000       |

**2/3 OUTPUT ASSY****IC910 (PCM1742KE-TBB)**

| Pin No | Voltage (V) | Pin No | Voltage (V) |
|--------|-------------|--------|-------------|
| 1      | 1.529       | 9      | 0.000       |
| 2      | 0.003       | 10     | 2.481       |
| 3      | 1.560       | 11     | -           |
| 4      | 0.000       | 12     | -           |
| 5      | 3.223       | 13     | 0.016       |
| 6      | 4.976       | 14     | 3.192       |
| 7      | 2.505       | 15     | 0.002       |
| 8      | 2.462       | 16     | 1.705       |

**J** 3/3 OUTPUT ASSY

## IC915 (PCM1742KE-TBB)

| Pin No | Voltage (V) | Pin No | Voltage (V) |
|--------|-------------|--------|-------------|
| 1      | 1.530       | 9      | 0.000       |
| 2      | 0.002       | 10     | 2.470       |
| 3      | 1.559       | 11     | 0.000       |
| 4      | 0.000       | 12     | 2.470       |
| 5      | 3.224       | 13     | 0.016       |
| 6      | 4.975       | 14     | 3.192       |
| 7      | 2.509       | 15     | 0.002       |
| 8      | 2.467       | 16     | 1.701       |

**J** 3/3 OUTPUT ASSY

## IC918 (AK5381VT-TBB)

| Pin No | Voltage (V) | Pin No | Voltage (V) |
|--------|-------------|--------|-------------|
| 1      | 2.482       | 9      | 0.167       |
| 2      | 0.741       | 10     | 0.359       |
| 3      | 0.000       | 11     | 0.150       |
| 4      | 2.481       | 12     | 0.352       |
| 5      | 0.000       | 13     | 0.003       |
| 6      | 4.974       | 14     | 0.000       |
| 7      | 3.225       | 15     | 0.000       |
| 8      | 0.000       | 16     | 0.000       |

**K** DIGIC ASSY

## IC1202 (AK4117VF-TBB)

| Pin No | Voltage (V) | Pin No | Voltage (V) |
|--------|-------------|--------|-------------|
| 1      | 1.195       | 13     | 0.000       |
| 2      | 3.181       | 14     | -           |
| 3      | 1.566       | 15     | 0.000       |
| 4      | 0.000       | 16     | -           |
| 5      | 0.074       | 17     | 1.583       |
| 6      | 3.180       | 18     | 0.062       |
| 7      | 0.000       | 19     | 3.189       |
| 8      | 0.000       | 20     | 2.254       |
| 9      | -           | 21     | -           |
| 10     | 2.232       | 22     | -           |
| 11     | 1.741       | 23     | 3.158       |
| 12     | 0.005       | 24     | 0.000       |

**K** DIGIC ASSY

## IC1208 (AK4117VF-TBB)

| Pin No | Voltage (V) | Pin No | Voltage (V) |
|--------|-------------|--------|-------------|
| 1      | 1.188       | 13     | 0.000       |
| 2      | 3.182       | 14     | -           |
| 3      | 1.572       | 15     | 0.000       |
| 4      | 0.000       | 16     | -           |
| 5      | 0.075       | 17     | 1.593       |
| 6      | 3.183       | 18     | 0.063       |
| 7      | 0.000       | 19     | 3.270       |
| 8      | 0.000       | 20     | 2.267       |
| 9      | -           | 21     | -           |
| 10     | 2.245       | 22     | -           |
| 11     | 1.800       | 23     | 3.177       |
| 12     | 0.005       | 24     | 0.000       |

**K** DIGIC ASSY

## IC1214 (AK4117VF-TBB)

| Pin No | Voltage (V) | Pin No | Voltage (V) |
|--------|-------------|--------|-------------|
| 1      | 1.193       | 13     | 0.000       |
| 2      | 3.202       | 14     | -           |
| 3      | 1.576       | 15     | 0.000       |
| 4      | 0.000       | 16     | -           |
| 5      | 0.075       | 17     | 1.593       |
| 6      | 3.202       | 18     | 0.063       |
| 7      | 0.000       | 19     | 3.206       |
| 8      | 0.000       | 20     | 2.266       |
| 9      | -           | 21     | -           |
| 10     | 2.248       | 22     | -           |
| 11     | 1.805       | 23     | 3.176       |
| 12     | 0.004       | 24     | 0.000       |

**K** DIGIC ASSY

## IC1217 (AK4117VF-TBB)

| Pin No | Voltage (V) | Pin No | Voltage (V) |
|--------|-------------|--------|-------------|
| 1      | 1.186       | 13     | 0.000       |
| 2      | 3.191       | 14     | -           |
| 3      | 1.568       | 15     | 0.000       |
| 4      | 0.000       | 16     | -           |
| 5      | 0.075       | 17     | 1.593       |
| 6      | 3.199       | 18     | 0.063       |
| 7      | 0.000       | 19     | 3.206       |
| 8      | 0.000       | 20     | 2.266       |
| 9      | -           | 21     | -           |
| 10     | 2.246       | 22     | -           |
| 11     | 1.759       | 23     | 3.176       |
| 12     | 0.004       | 24     | 0.000       |

**K** DIGIC ASSY

## IC1203 (AD1895AYRS-TBB)

| Pin No | Voltage (V) | Pin No | Voltage (V) |
|--------|-------------|--------|-------------|
| 1      | -           | 15     | 0.004       |
| 2      | 1.599       | 16     | 0.000       |
| 3      | -           | 17     | 0.000       |
| 4      | 0.004       | 18     | 0.000       |
| 5      | 1.739       | 19     | 0.000       |
| 6      | 2.245       | 20     | 0.000       |
| 7      | 3.197       | 21     | 0.000       |
| 8      | 0.000       | 22     | 3.196       |
| 9      | 0.000       | 23     | 1.890       |
| 10     | 0.000       | 24     | 2.248       |
| 11     | 0.000       | 25     | 1.624       |
| 12     | 0.000       | 26     | 0.000       |
| 13     | 3.176       | 27     | 0.000       |
| 14     | 0.004       | 28     | 0.000       |

**K** DIGIC ASSY

## IC1209 (AD1895AYRS-TBB)

| Pin No | Voltage (V) | Pin No | Voltage (V) |
|--------|-------------|--------|-------------|
| 1      | -           | 15     | 0.004       |
| 2      | 1.602       | 16     | 0.000       |
| 3      | -           | 17     | 0.000       |
| 4      | 0.004       | 18     | 0.000       |
| 5      | 1.800       | 19     | 0.000       |
| 6      | 2.246       | 20     | 0.000       |
| 7      | 3.200       | 21     | 0.000       |
| 8      | 0.000       | 22     | 3.199       |
| 9      | 0.000       | 23     | 1.893       |
| 10     | 0.000       | 24     | 2.249       |
| 11     | 0.000       | 25     | 1.631       |
| 12     | 0.000       | 26     | 0.000       |
| 13     | 3.177       | 27     | 0.000       |
| 14     | 0.004       | 28     | 0.000       |

**K** DIGIC ASSY

## IC1215 (AD1895AYRS-TBB)

| Pin No | Voltage (V) | Pin No | Voltage (V) |
|--------|-------------|--------|-------------|
| 1      | -           | 15     | 0.004       |
| 2      | 1.586       | 16     | 0.000       |
| 3      | -           | 17     | 0.000       |
| 4      | 0.004       | 18     | 0.000       |
| 5      | 1.805       | 19     | 0.000       |
| 6      | 2.247       | 20     | 0.000       |
| 7      | 3.203       | 21     | 0.000       |
| 8      | 0.000       | 22     | 3.202       |
| 9      | 0.000       | 23     | 1.894       |
| 10     | 0.000       | 24     | 2.248       |
| 11     | 0.000       | 25     | 1.629       |
| 12     | 0.000       | 26     | 0.000       |
| 13     | 3.175       | 27     | 0.000       |
| 14     | 0.005       | 28     | 0.000       |

**K** DIGIC ASSY

## IC1218 (AD1895AYRS-TBB)

| Pin No | Voltage (V) | Pin No | Voltage (V) |
|--------|-------------|--------|-------------|
| 1      | -           | 15     | 0.004       |
| 2      | 1.592       | 16     | 0.000       |
| 3      | -           | 17     | 0.000       |
| 4      | 0.004       | 18     | 0.000       |
| 5      | 1.756       | 19     | 0.000       |
| 6      | 2.235       | 20     | 0.000       |
| 7      | 3.184       | 21     | 0.000       |
| 8      | 0.000       | 22     | 3.183       |
| 9      | 0.000       | 23     | 1.886       |
| 10     | 0.000       | 24     | 2.239       |
| 11     | 0.000       | 25     | 1.624       |
| 12     | 0.000       | 26     | 0.000       |
| 13     | 3.161       | 27     | 0.000       |
| 14     | 0.004       | 28     | 0.000       |

**M** DIGIB ASSY**IC1308 (AK4114VQ)**

| Pin No | Voltage (V) | Pin No | Voltage (V) |
|--------|-------------|--------|-------------|
| 1      | -           | 25     | -           |
| 2      | 0.000       | 26     | 1.599       |
| 3      | -           | 27     | -           |
| 4      | 0.000       | 28     | 1.779       |
| 5      | -           | 29     | -           |
| 6      | 0.000       | 30     | 1.644       |
| 7      | -           | 31     | 3.164       |
| 8      | 0.000       | 32     | 0.172       |
| 9      | 0.000       | 33     | 0.073       |
| 10     | 0.000       | 34     | 3.191       |
| 11     | 3.167       | 35     | 3.189       |
| 12     | -           | 36     | -           |
| 13     | 3.182       | 37     | -           |
| 14     | 0.000       | 38     | 3.182       |
| 15     | -           | 39     | 1.203       |
| 16     | 1.612       | 40     | 1.200       |
| 17     | -           | 41     | 0.000       |
| 18     | -           | 42     | -           |
| 19     | -           | 43     | 0.000       |
| 20     | -           | 44     | -           |
| 21     | 3.182       | 45     | 0.000       |
| 22     | 0.000       | 46     | -           |
| 23     | -           | 47     | 0.000       |
| 24     | 2.237       | 48     | -           |

**M** DIGIB ASSY**IC1307 (AD1895AYRS-TBB)**

| Pin No | Voltage (V) | Pin No | Voltage (V) |
|--------|-------------|--------|-------------|
| 1      | -           | 15     | 0.172       |
| 2      | 0.250       | 16     | 0.000       |
| 3      | -           | 17     | 0.000       |
| 4      | 0.209       | 18     | 0.000       |
| 5      | 1.591       | 19     | 0.000       |
| 6      | 2.243       | 20     | 0.000       |
| 7      | 3.178       | 21     | 0.000       |
| 8      | 0.000       | 22     | 0.004       |
| 9      | 0.000       | 23     | 0.192       |
| 10     | 0.000       | 24     | 0.161       |
| 11     | 0.000       | 25     | 0.160       |
| 12     | 0.000       | 26     | 0.004       |
| 13     | 0.004       | 27     | 0.005       |
| 14     | 0.004       | 28     | 0.004       |

**O** HPAMP ASSY**IC2501 (PCM1742KE-TBB)**

| Pin No | Voltage (V) |
|--------|-------------|
| 1      | 1.556       |
| 2      | 0.002       |
| 3      | 1.563       |
| 4      | 0           |
| 5      | 3.2         |
| 6      | 4.928       |
| 7      | 2.481       |
| 8      | 2.441       |
| 9      | 0           |
| 10     | 2.456       |
| 11     | -           |
| 12     | -           |
| 13     | 0.015       |
| 14     | 3.191       |
| 15     | 0.001       |
| 16     | 1.602       |

A

B

C

D

E

F

# 3.30 WAVEFORMS

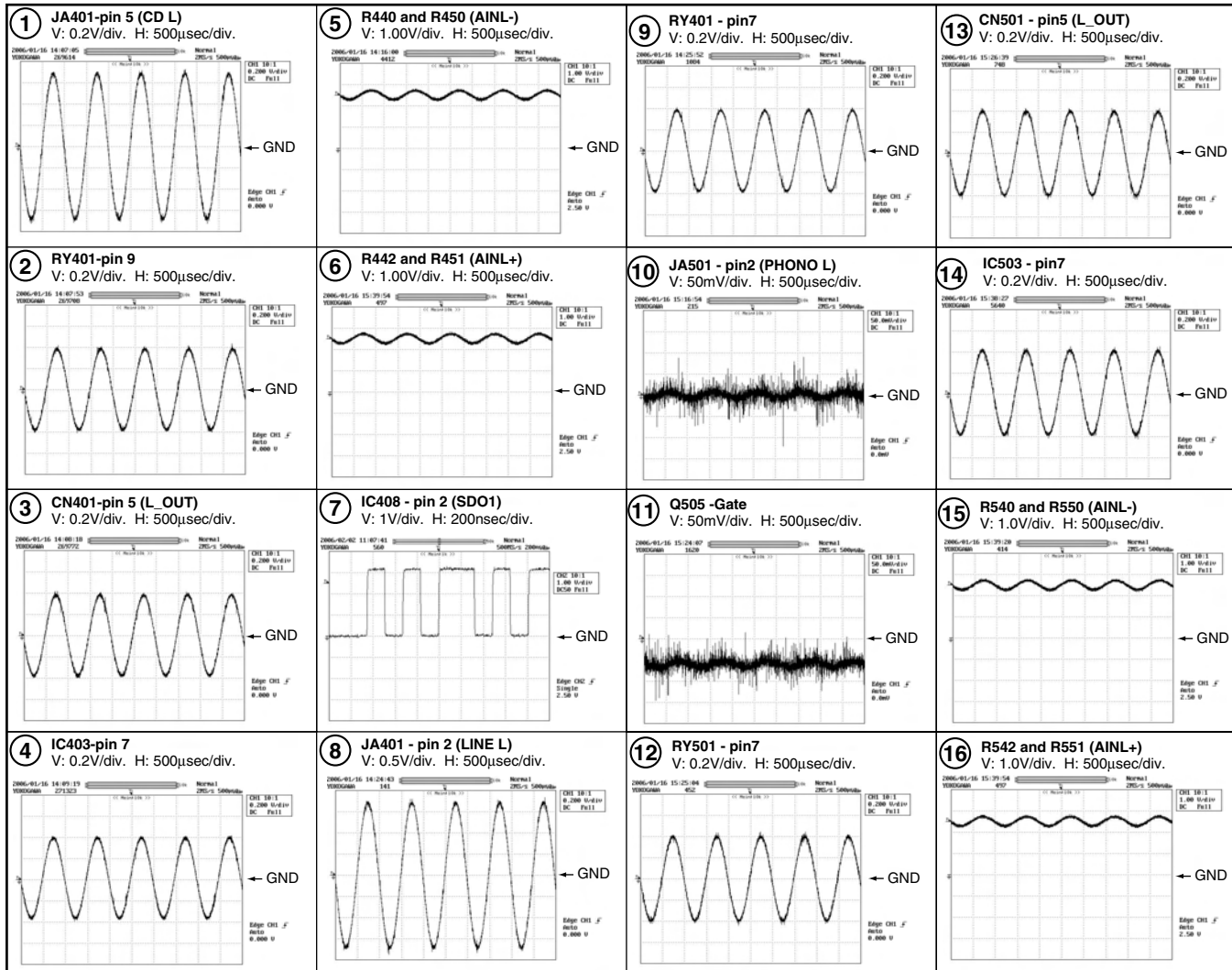
## Measuring Conditions (Analog)

| Measure CH | IN CH     | IN LEVEL(TRIM MAX) | IN FREQ | RL     |                         |
|------------|-----------|--------------------|---------|--------|-------------------------|
| PHONO      | CH1       | -46dBv             | 1KHz    |        |                         |
| LINE       | CH1       | -6dBv              | 1KHz    |        |                         |
| CD         | CH1       | -6dBv              | 1KHz    |        |                         |
| RETURN     | CH1SELECT | -6dBv              | 1KHz    |        | SEND LEVEL MAX          |
| SEND       | CH1SELECT | -6dBv(CH1)         | 1KHz    |        | SEND LEVEL MAX          |
| BOOTH      | CH1       | -6dBv(CH1)         | 1KHz    | 600ohm | BOOTH LEVEL MAX,EQ FLAT |
| REC        | CH1       | -6dBv(CH1)         | 1KHz    | 10Kohm |                         |
| MIC 1,2    | MIC 1,2   | -44.8dBv           | 1KHz    |        |                         |
| HP         | CH1       | -6dBv              | 1KHz    | 32ohm  | HP LEVEL 4              |

Set as follows except for designation;  
 CH1 FADER: MAX  
 C.F ASSIGN: Nothing  
 CH FADER CURVE: Center.

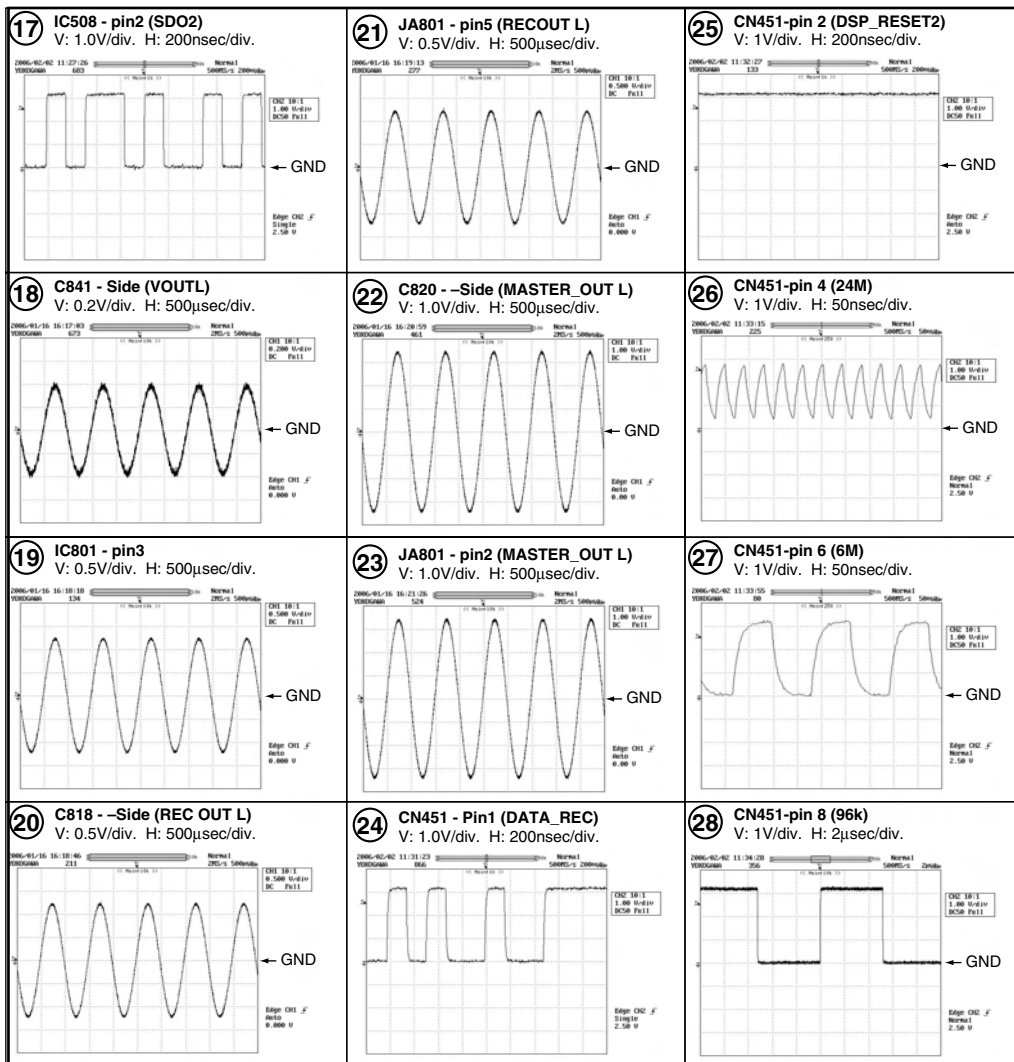
## A INPUT ASSY

NOTE: The following waveforms were measured at the point of the corresponding balloon number in the schematic diagram and PCB diagram.



NOTE: The following waveforms were measured at the point of the corresponding balloon number in the schematic diagram and PCB diagram.

# A INPUT ASSY

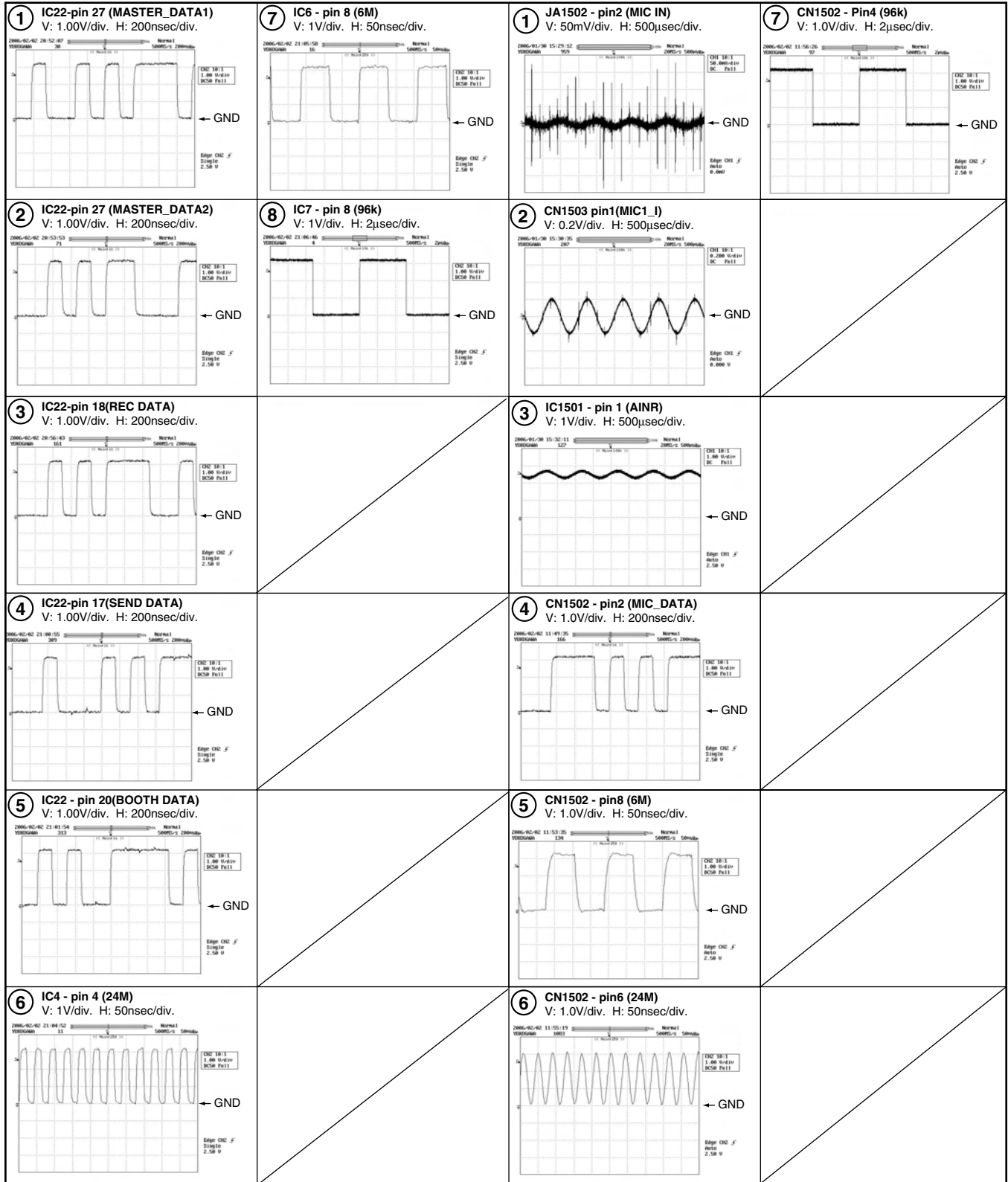


A  
B  
C  
D  
E  
F

NOTE: The following waveforms were measured at the point of the corresponding balloon number in the schematic diagram and PCB diagram.

**L** DSP ASSY

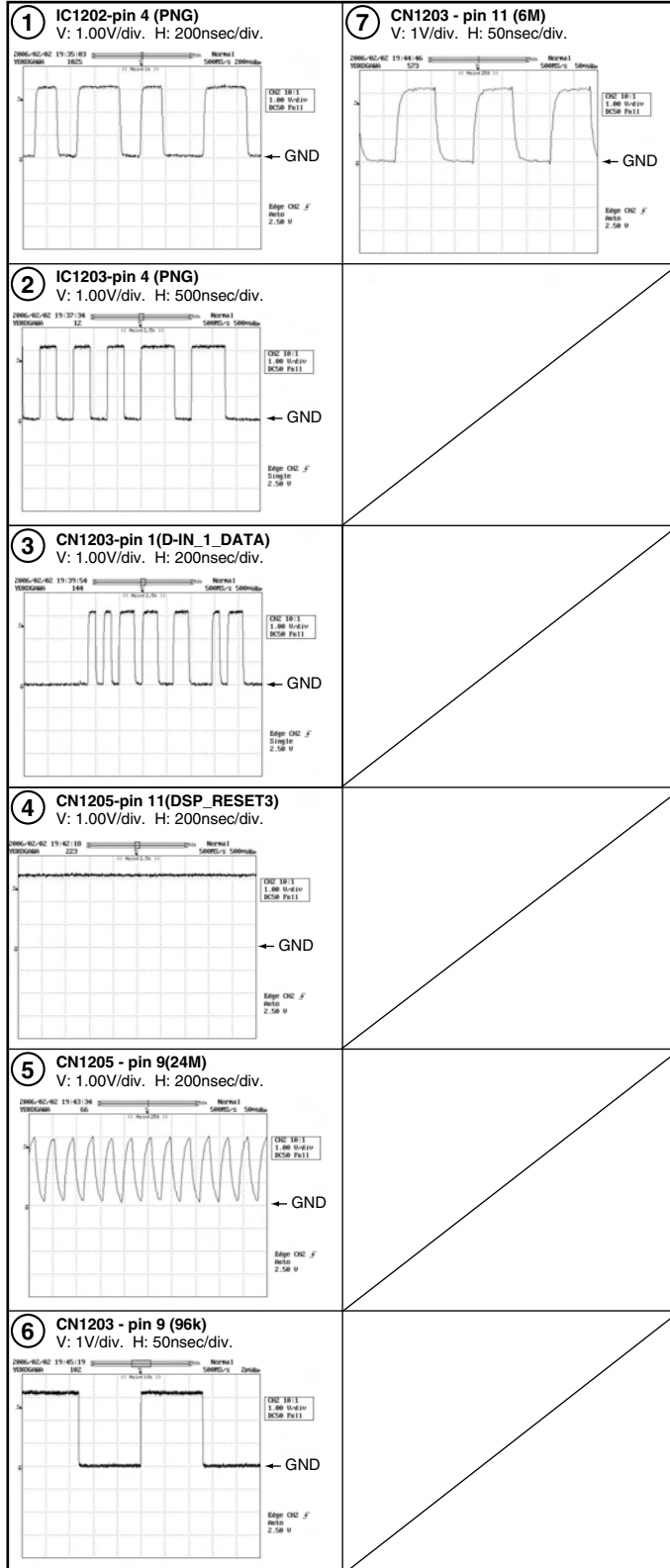
**B** MIC 1 ASSY





NOTE: The following waveforms were measured at the point of the corresponding balloon number in the schematic diagram and PCB diagram.

# N DIGIC ASSY

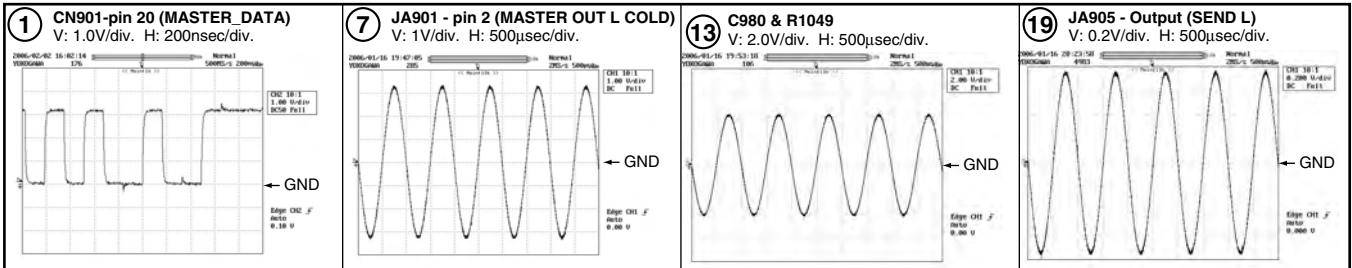


A  
B  
C  
D  
E  
F

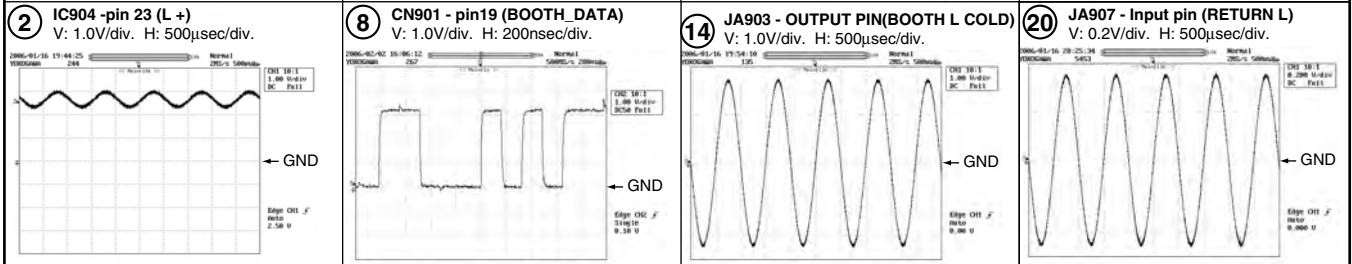
# M OUTPUT ASSY

NOTE: The following waveforms were measured at the point of the corresponding balloon number in the schematic diagram and PCB diagram.

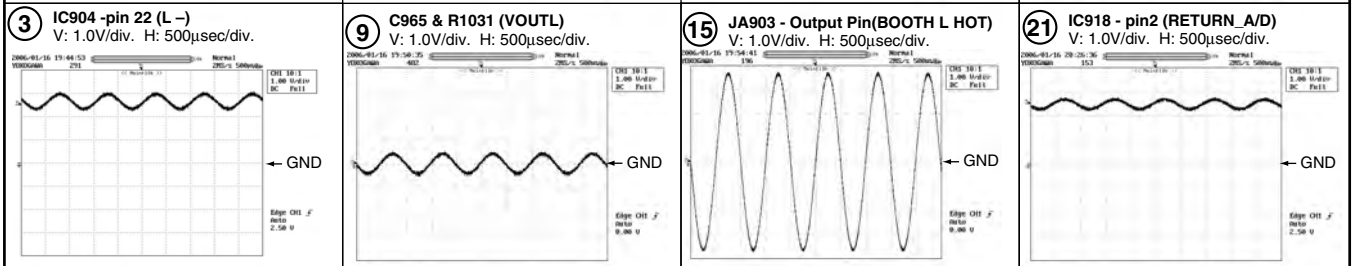
A



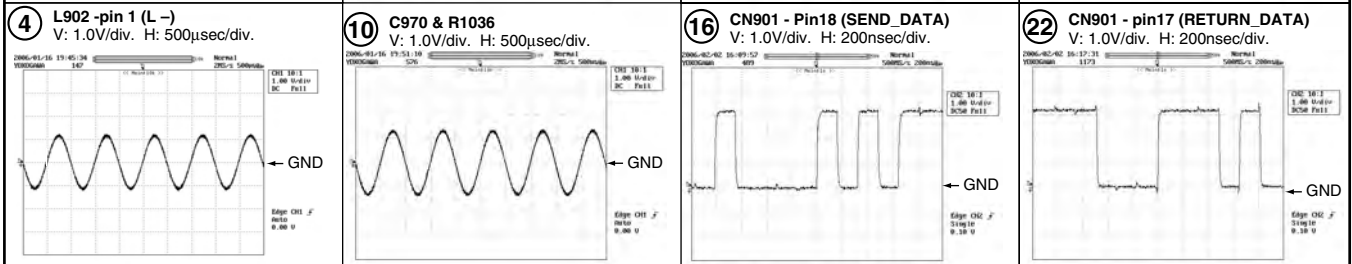
B



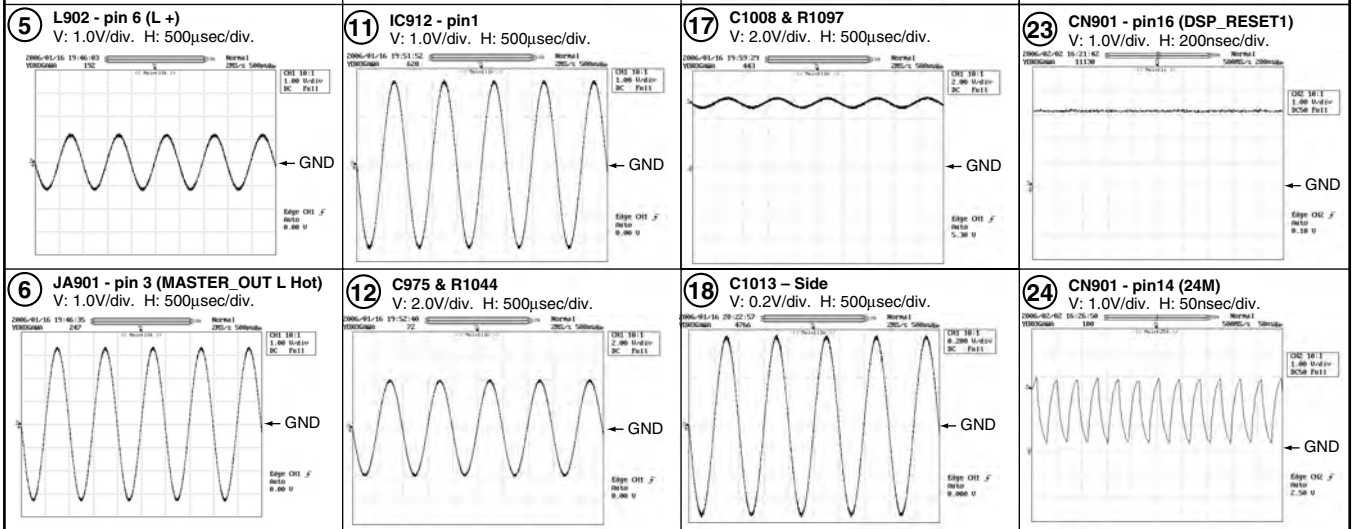
C



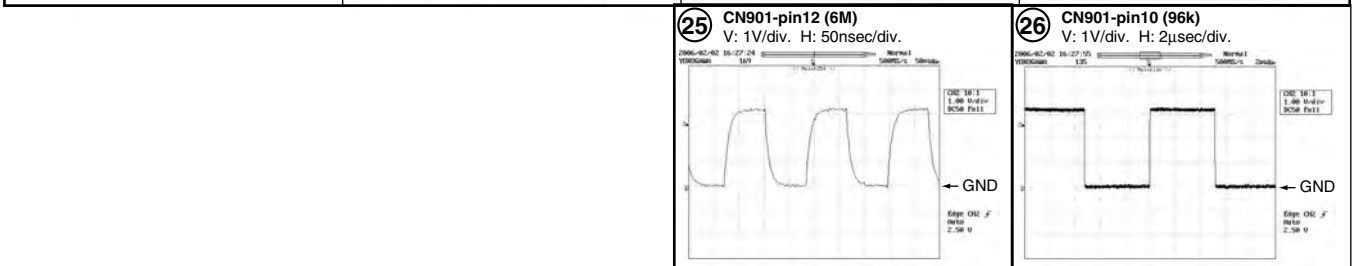
D



E



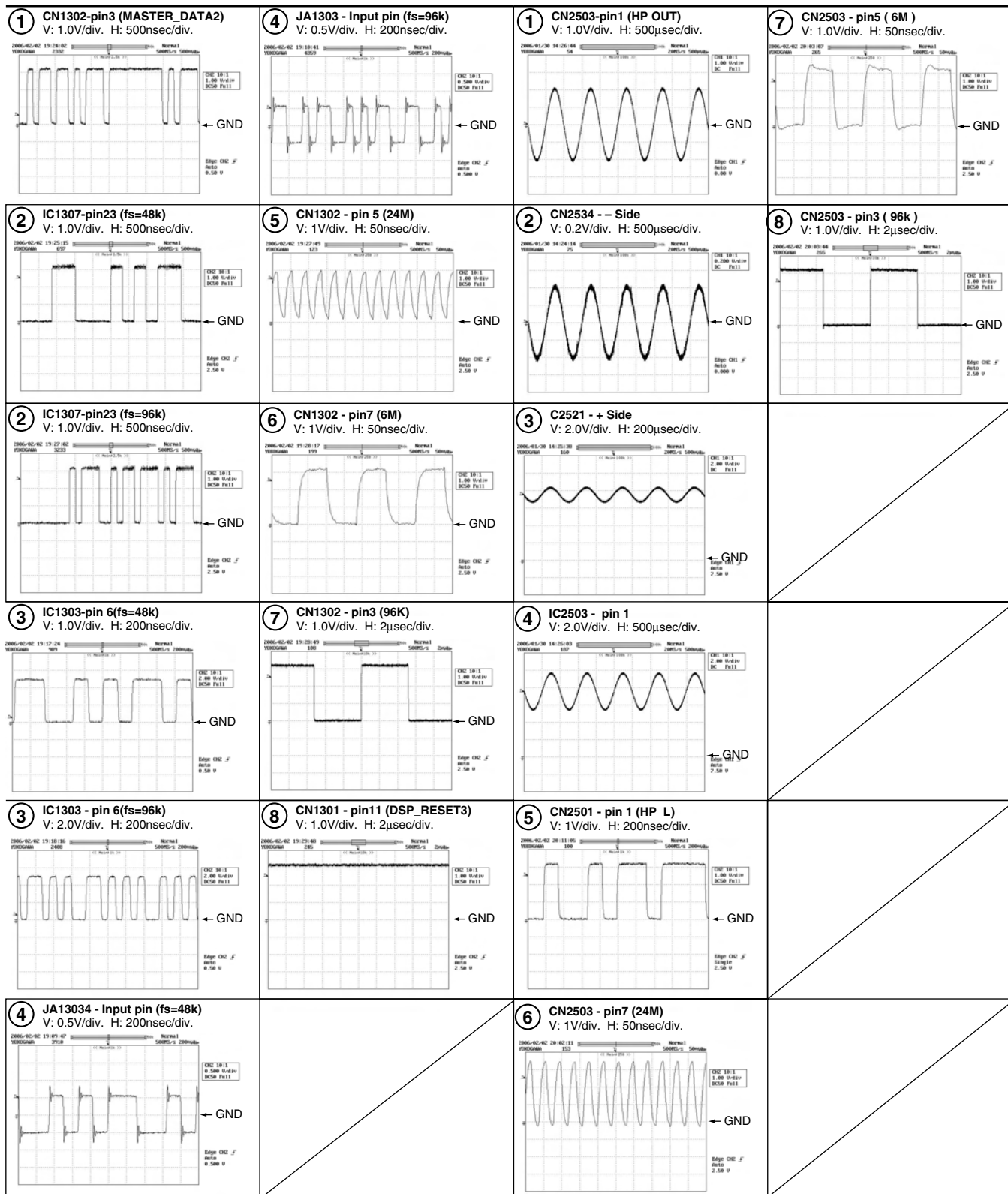
F



NOTE: The following waveforms were measured at the point of the corresponding balloon number in the schematic diagram and PCB diagram.

# P DIGIB ASSY

# S HP JACK ASSY



A  
B  
C  
D  
E  
F

# 4. PCB CONNECTION DIAGRAM

## 4.1 INPUT ASSY

**SIDE A**

### A INPUT ASSY

**NOTE FOR PCB DIAGRAMS :**

1. Part numbers in PCB diagrams match those in the schematic diagrams.

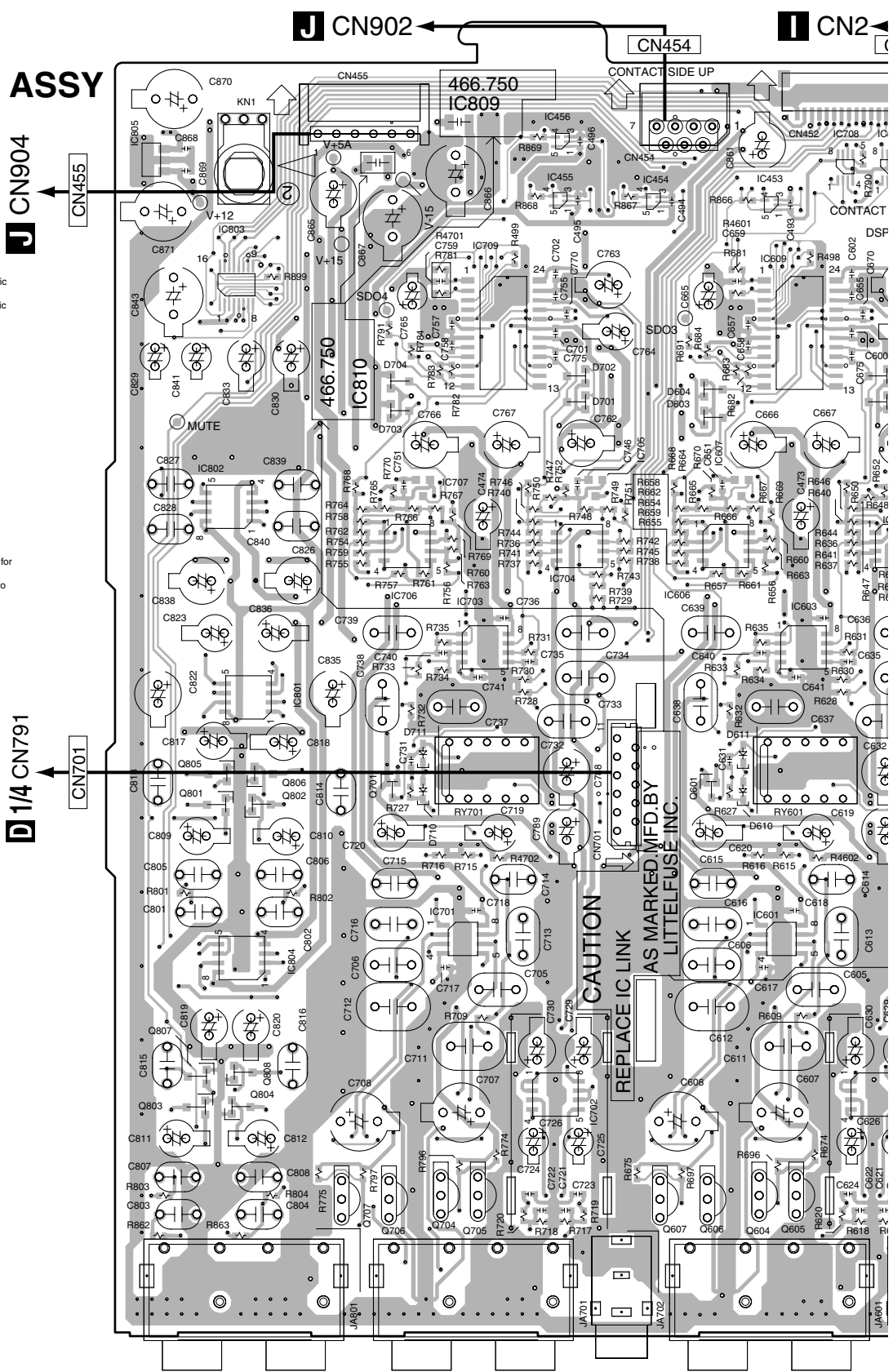
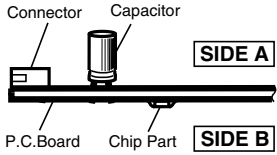
2. A comparison between the main parts of PCB and schematic diagrams is shown below.

| Symbol in PCB Diagrams | Symbol in Schematic Diagrams | Part Name                |
|------------------------|------------------------------|--------------------------|
|                        |                              | Transistor               |
|                        |                              | Transistor with resistor |
|                        |                              | Field effect transistor  |
|                        |                              | Resistor array           |
|                        |                              | 3-terminal regulator     |

3. The parts mounted on this PCB include all necessary parts for several destinations.

For further information for respective destinations, be sure to check with the schematic diagram.

4. View point of PCB diagrams.

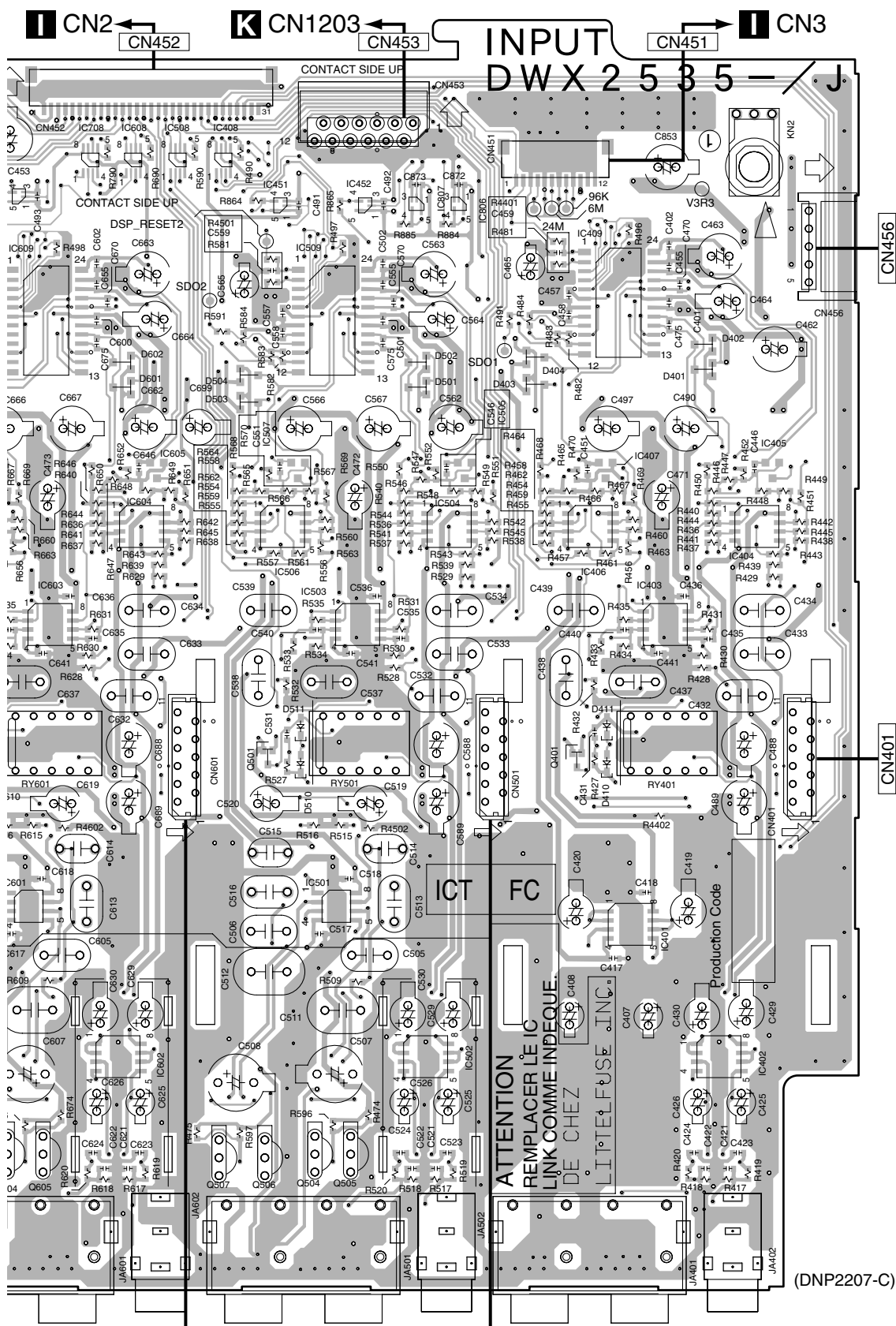


**D 2/4 CN691**

|       |       |       |       |       |       |       |       |       |       |       |       |       |       |       |       |       |       |       |       |       |       |
|-------|-------|-------|-------|-------|-------|-------|-------|-------|-------|-------|-------|-------|-------|-------|-------|-------|-------|-------|-------|-------|-------|
| IC805 | IC803 | IC804 | IC801 | IC810 | IC706 | IC701 | IC709 | IC456 | IC454 | IC455 | IC702 | IC606 | IC607 | IC601 | IC603 | IC605 | IC602 | IC604 | IC608 | IC609 | IC606 |
| Q803  | Q805  | Q804  | Q806  | Q801  | Q808  | Q802  | Q701  | Q704  | Q705  | Q707  | Q706  | Q607  | Q606  | Q601  | Q604  | Q605  | Q602  | Q603  | Q608  | Q609  | Q606  |

**A**

**SIDE A**



|                    |       |             |       |       |       |       |       |
|--------------------|-------|-------------|-------|-------|-------|-------|-------|
| <b>D</b> 2/4 CN691 | IC508 | IC509       | IC807 | IC806 | IC409 | IC407 | IC405 |
|                    | IC605 | IC507/IC503 | IC504 | IC502 | IC406 | IC403 | IC402 |
|                    | IC603 | IC506       | IC505 | IC505 | IC405 | IC401 | IC404 |
|                    | C609  | IC408       | IC451 | IC501 | IC404 | IC401 | IC404 |
|                    | IC708 | IC608       | IC602 | IC452 | IC404 | IC401 | IC404 |
|                    | IC605 | Q507        | Q501  | Q504  | Q505  | Q401  | Q506  |

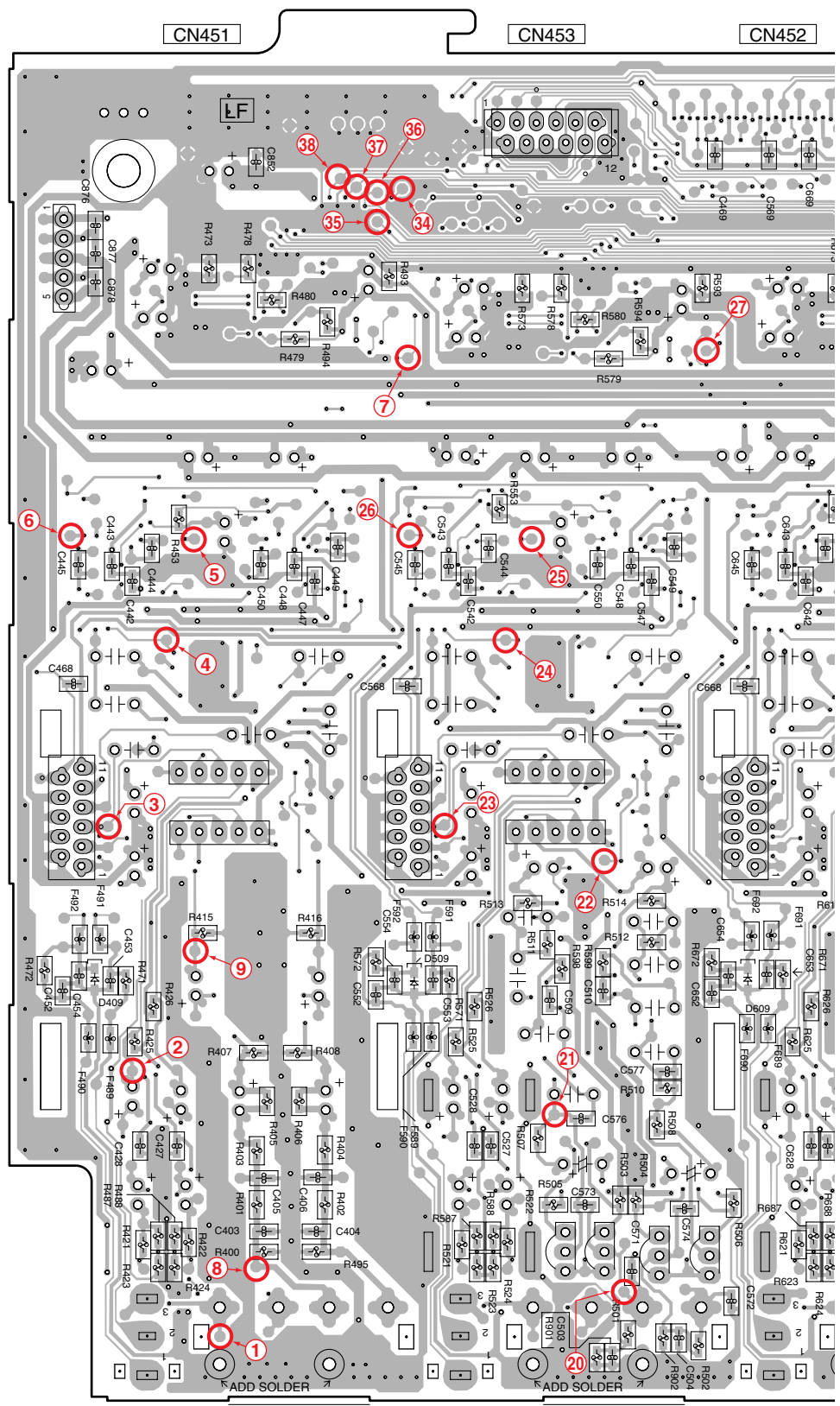
DJM-800

**A**

SIDE B

# A INPUT ASSY

A  
B  
C  
D  
E  
F

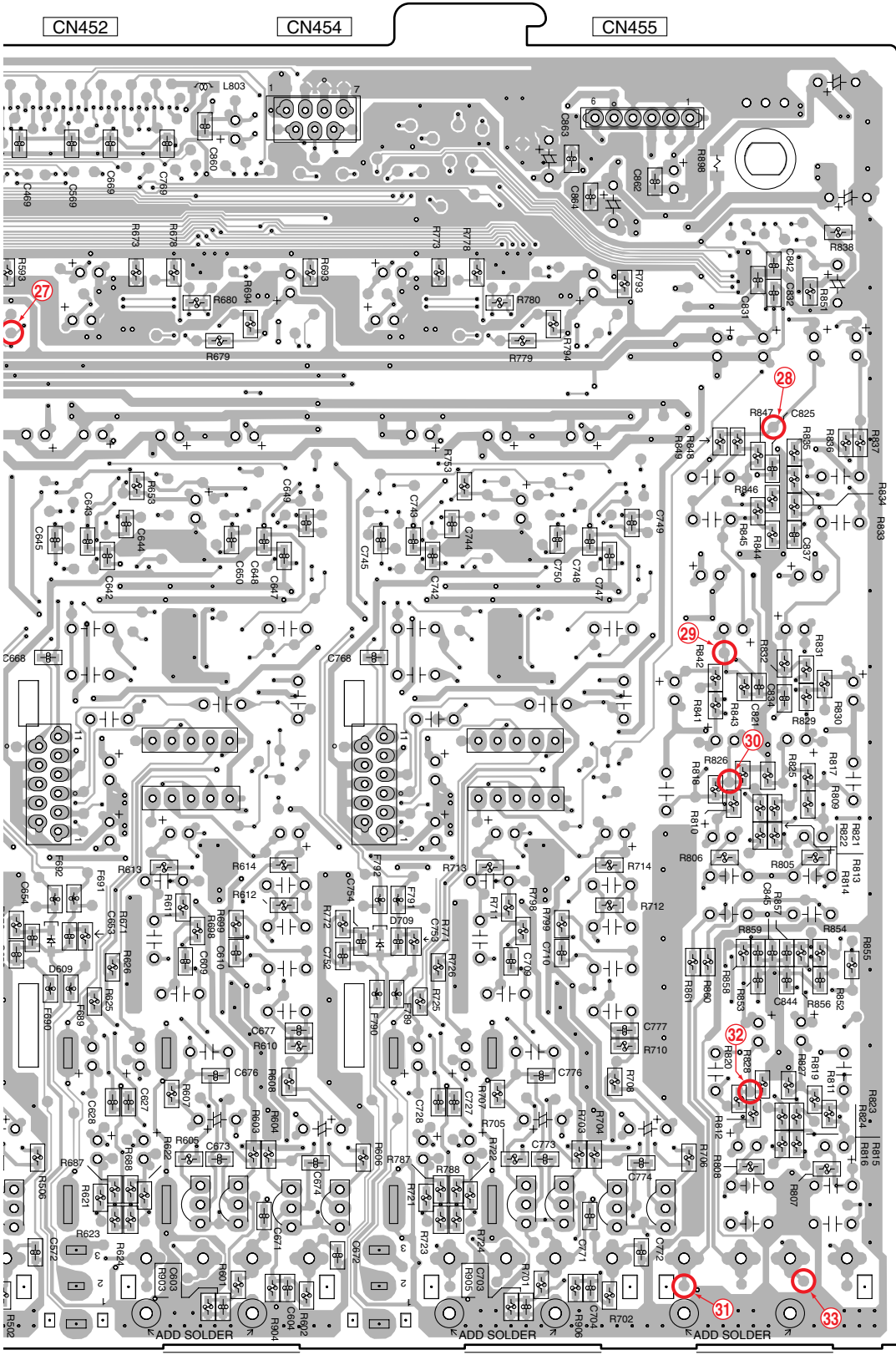


Q1504 Q1502  
Q1503  
Q1501

# A

SIDE B

A  
B  
C  
D  
E  
F



CN701

CN601

(DNP2207-C)

NOTE : The encircled numbers denote measuring point.

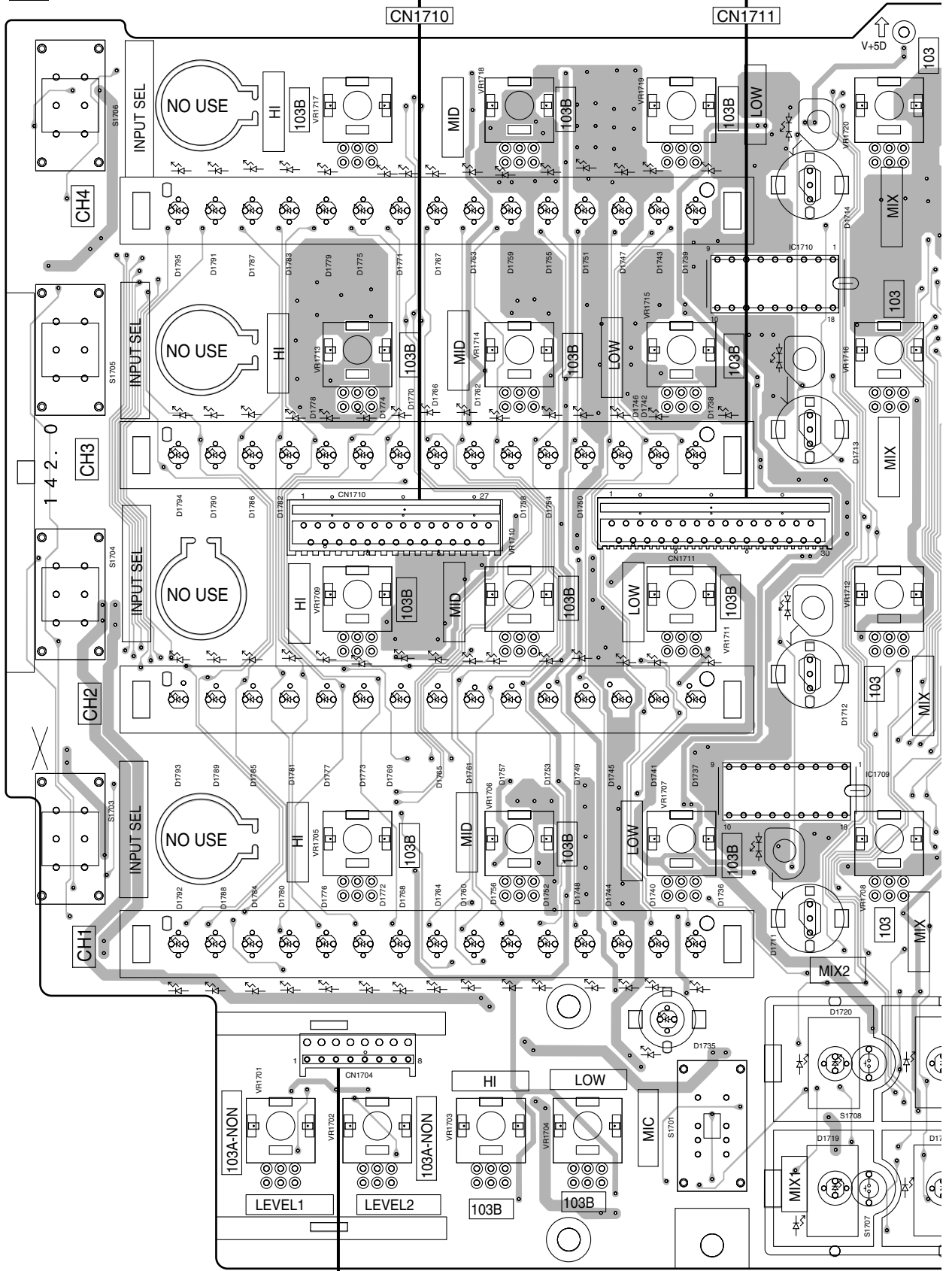
4.2 PANEL 1 ASSY

SIDE A

PANEL1 ASSY

CN2101

CN2102



CN1704

CN1503

DJM-800

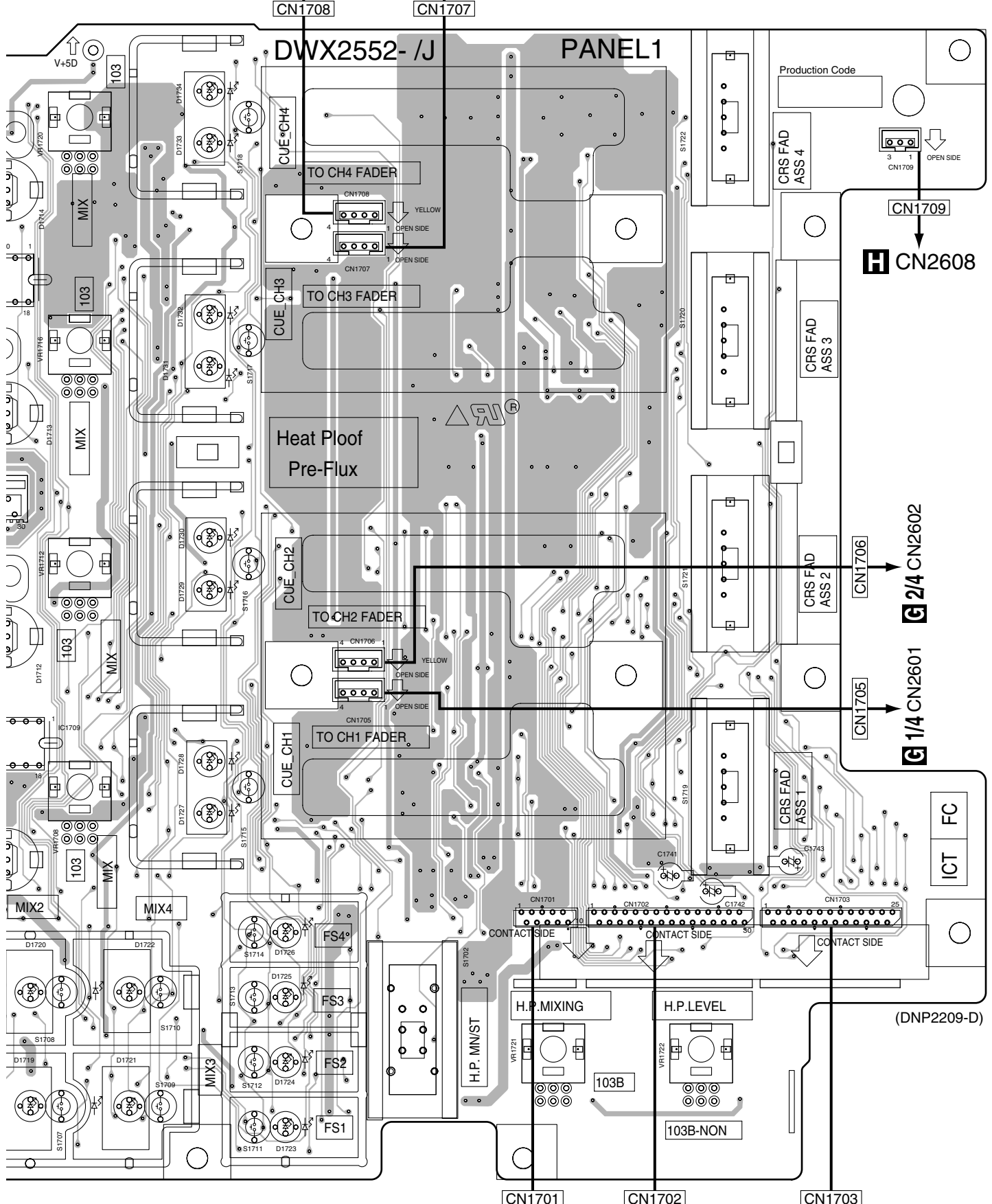
C



**G** 4/4 CN2604

**G** 3/4 CN2603

**SIDE A**



**H** CN2608

**G** 1/4 CN2601

**G** 2/4 CN2602

**I** CN4

**I** CN5

**I** CN6

**C**

DJM-800

SIDE B

C PANEL1 ASSY

A

B

C

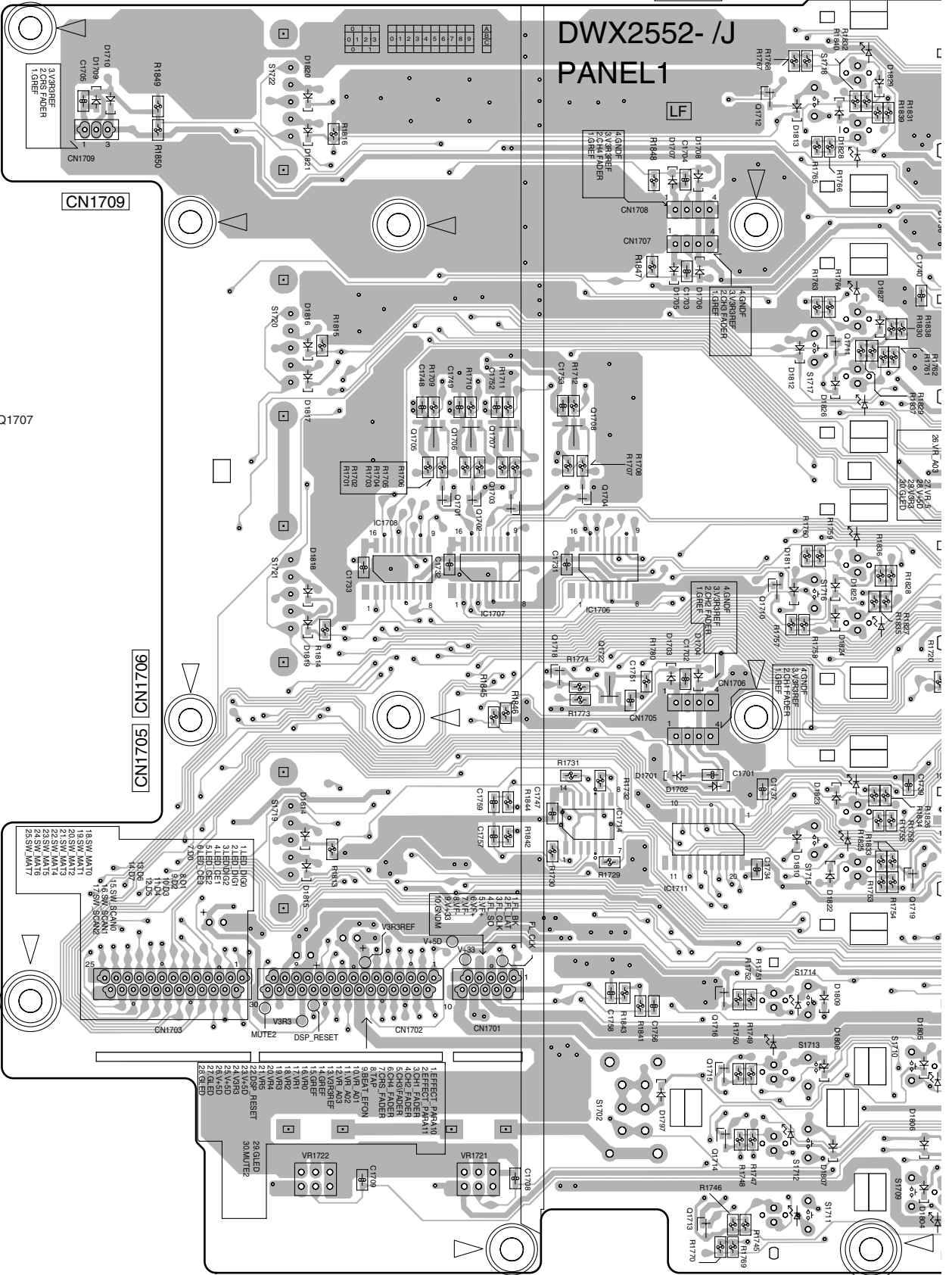
D

E

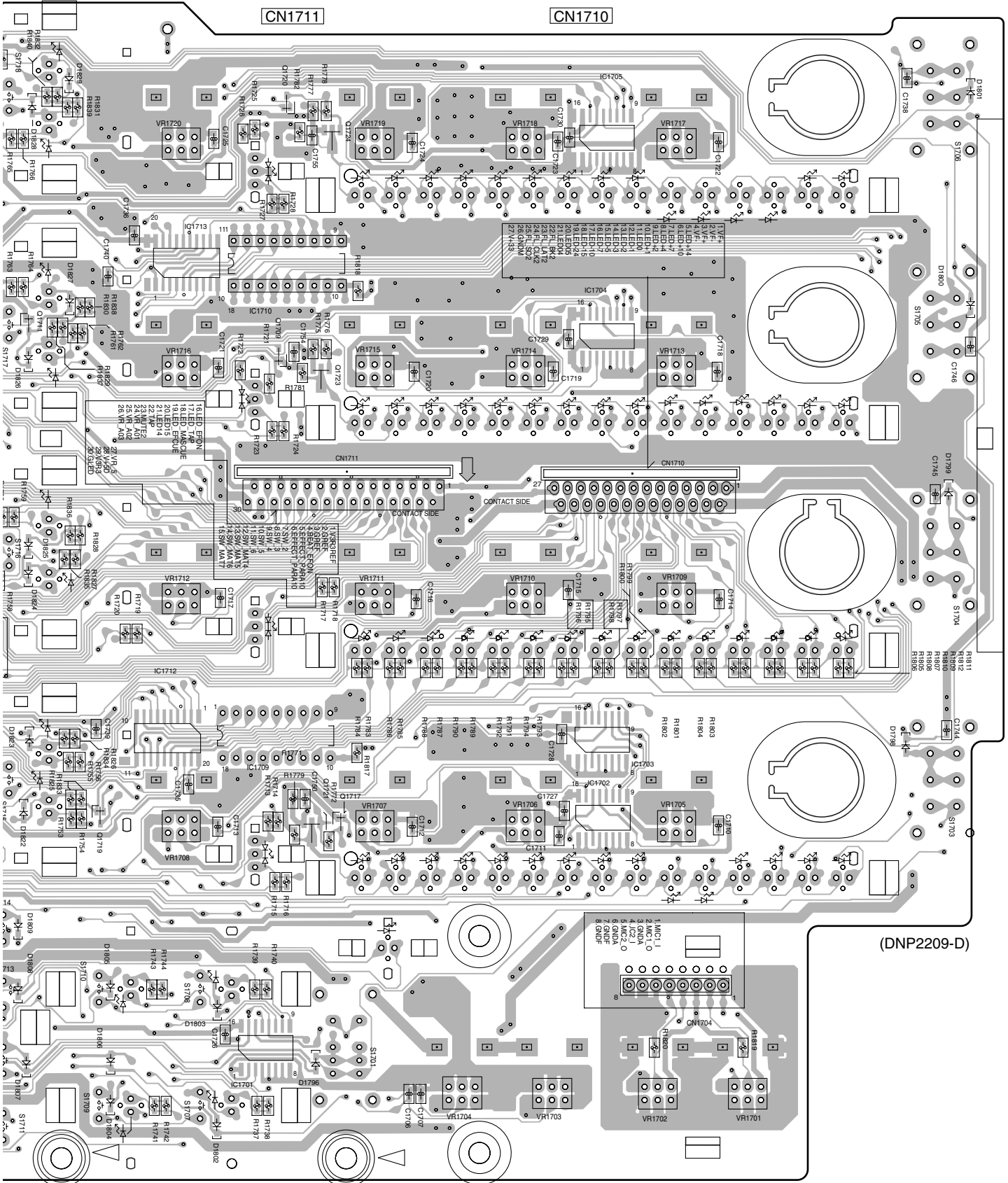
F

CN1708  
CN1707

DWX2552- /J  
PANEL1



A  
B  
C  
D  
E  
F



### 4.3 TRIM 1 to TRIM 4 and ACSW ASSYS

1

2

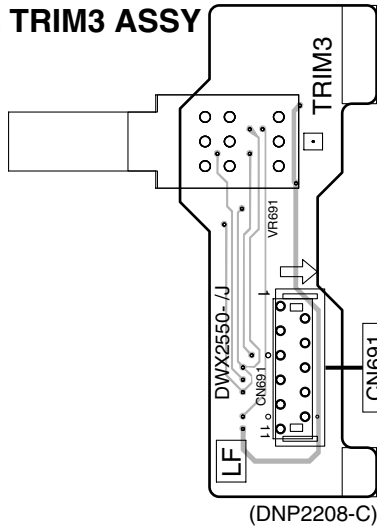
3

4

**A** **SIDE A**

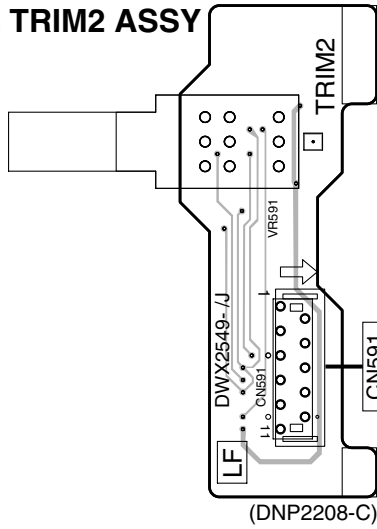
**SIDE A**

**D** 2/4 TRIM3 ASSY



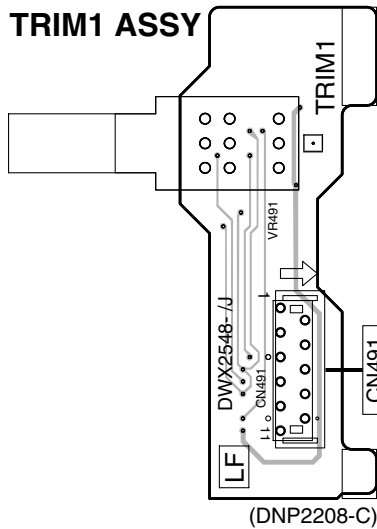
**A** CN601

**D** 3/4 TRIM2 ASSY



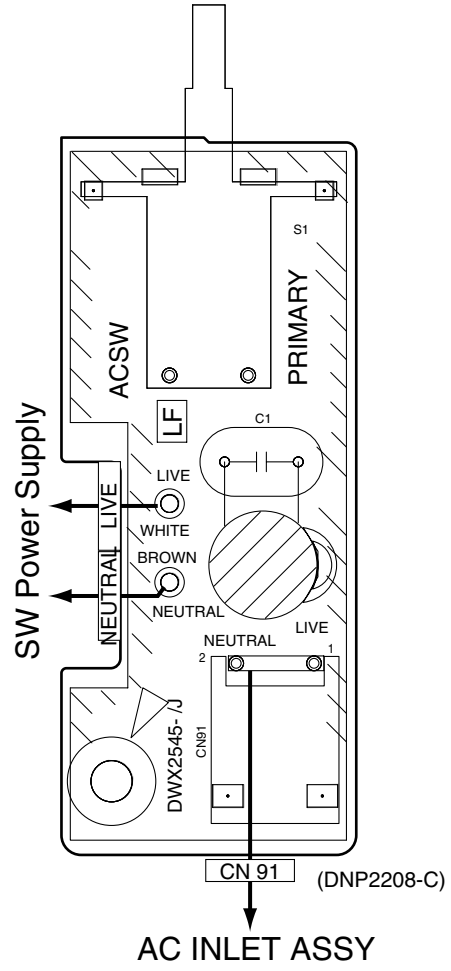
**A** CN501

**D** 4/4 TRIM1 ASSY

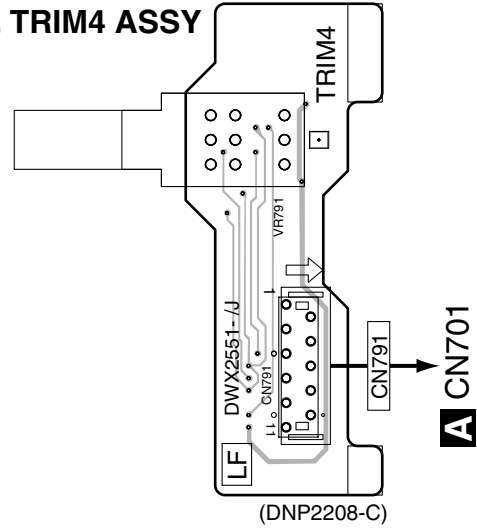


**A** CN401

**R** ACSW ASSY



**D** 1/4 TRIM4 ASSY



**A** CN701

**D** 1/4-4/4 **R**

**D** 1/4-4/4 **R**

1

2

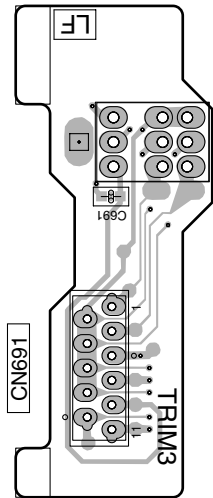
3

4

**SIDE B**

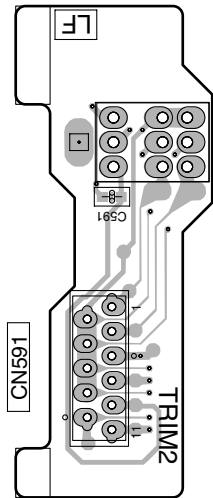
**SIDE B**

**D 2/4 TRIM3 ASSY**



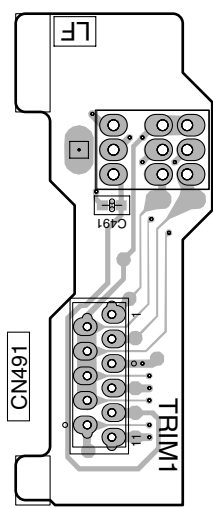
(DNP2208-C)

**D 3/4 TRIM2 ASSY**



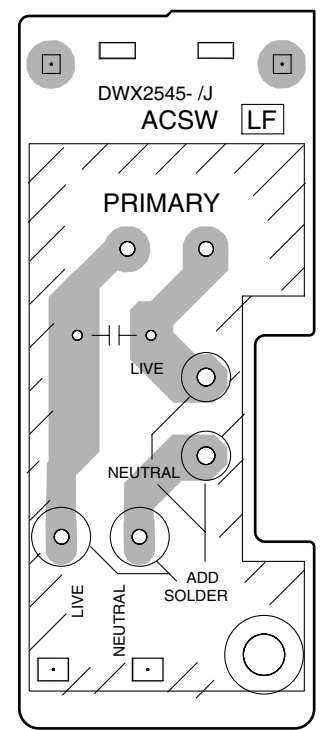
(DNP2208-C)

**D 4/4 TRIM1 ASSY**



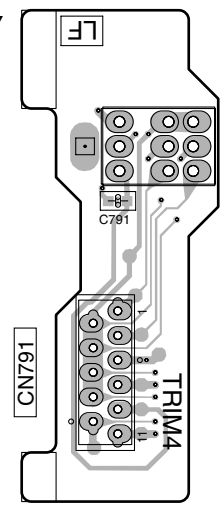
(DNP2208-C)

**R ACSW ASSY**



(DNP2208-C)

**D 1/4 TRIM4 ASSY**



(DNP2208-C)

**D 1/4-4/4 R**

**D 1/4-4/4 R**

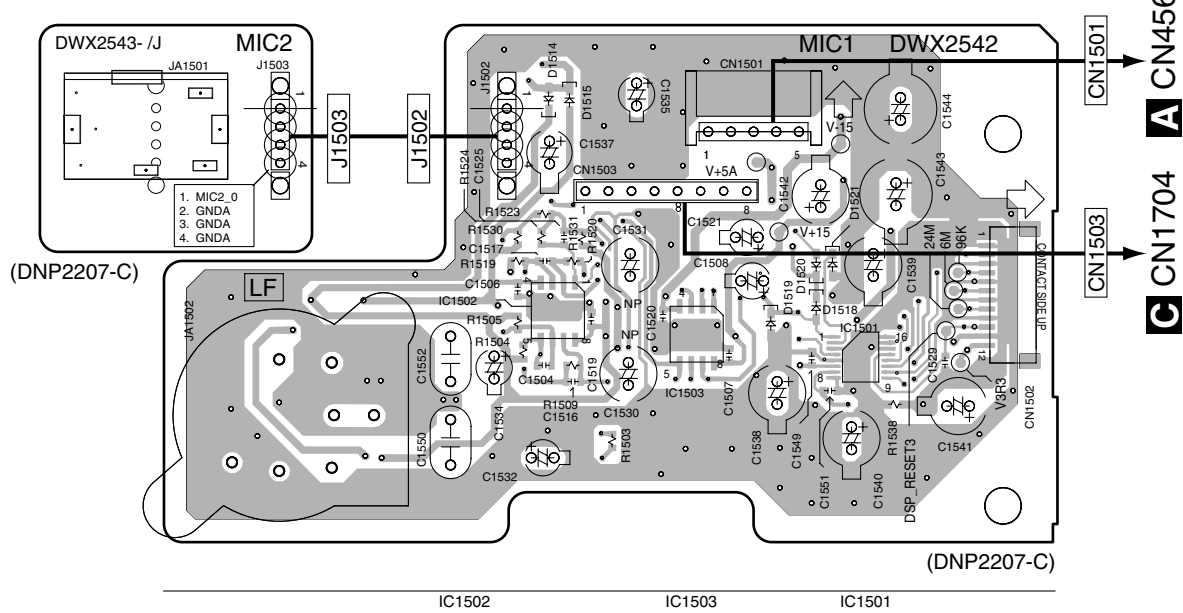
# 4.4 MIC1 and MIC2 ASSYS

**A** **SIDE A**

**SIDE A**

**E** MIC2 ASSY

**B** MIC1 ASSY



**B**

**C**

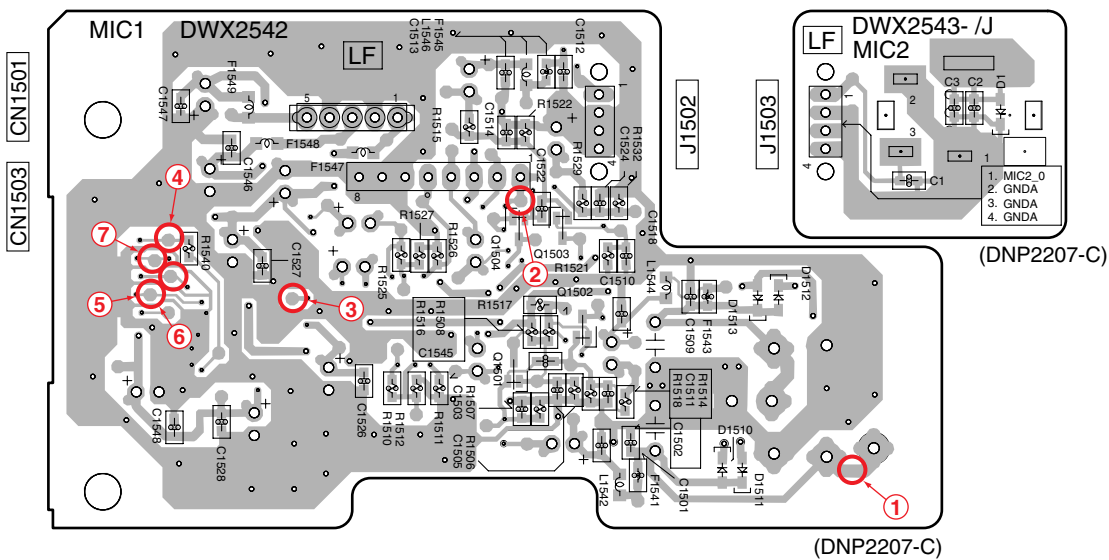
**SIDE B**

**SIDE B**

**D**

**B** MIC1 ASSY

**E** MIC2 ASSY



**E**

**F**

NOTE : The encircled numbers denote measuring point.

**B** **E**

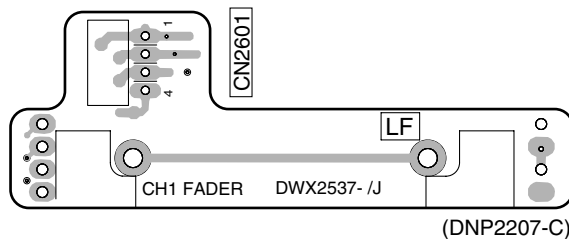
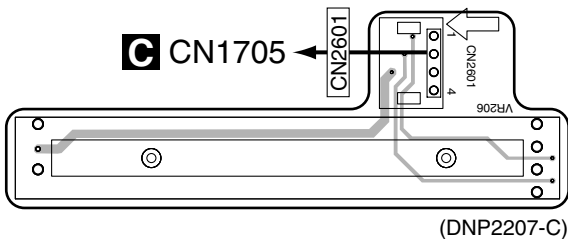
**B** **E**

# 4.5 CHFD1, CHFD2, CHFD3 and CHFD4 ASSYS

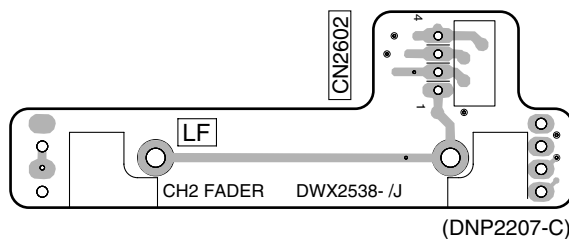
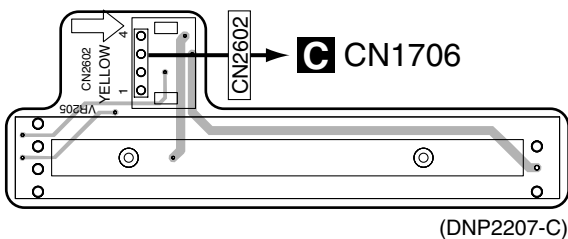
**SIDE A**

**SIDE B**

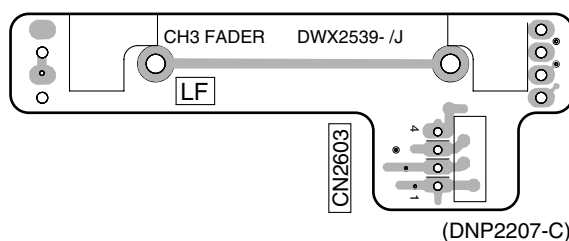
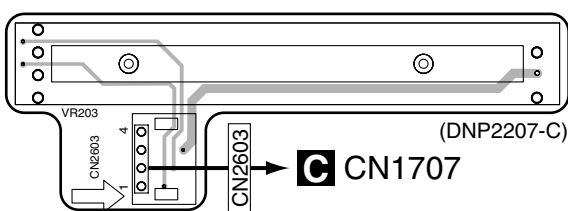
## G 1/4 CHFD1 ASSY



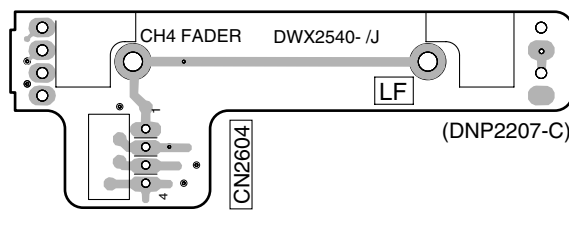
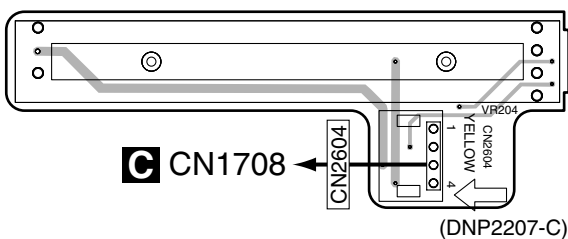
## G 2/4 CHFD2 ASSY



## G 3/4 CHFD3 ASSY



## G 4/4 CHFD4 ASSY



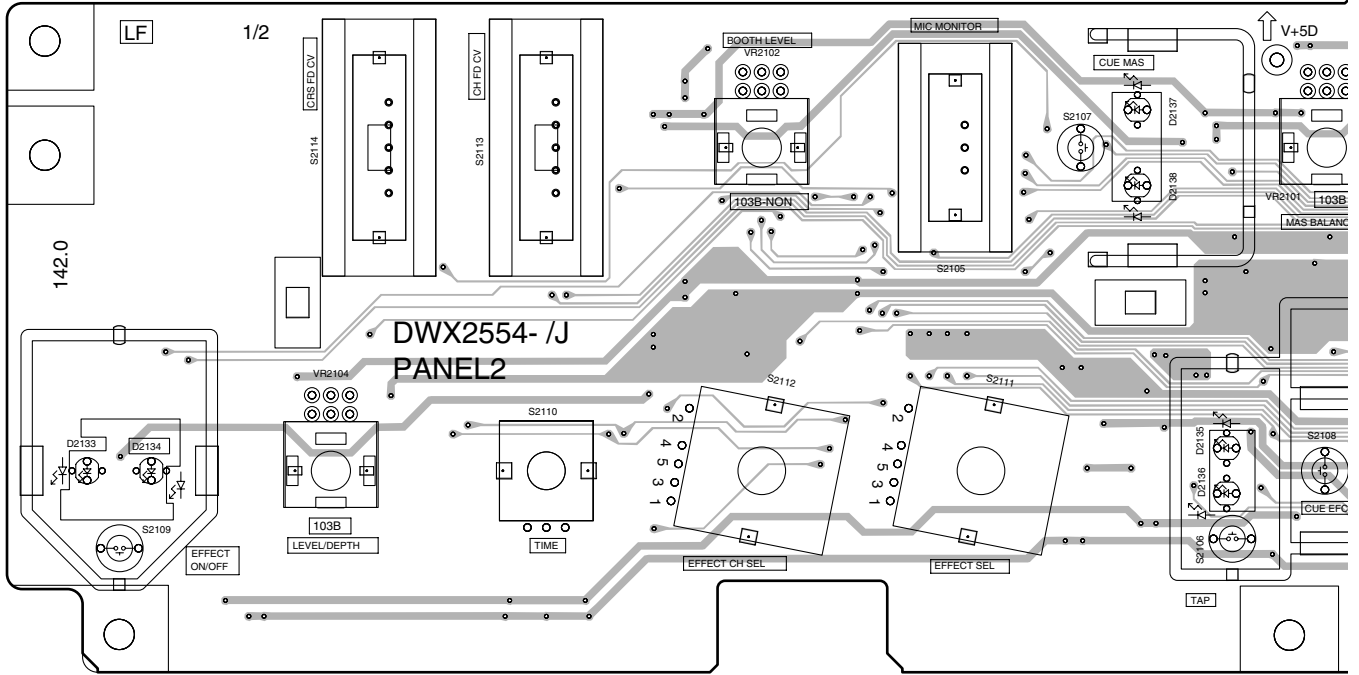
**G 1/4-4/4**

**G 1/4-4/4**

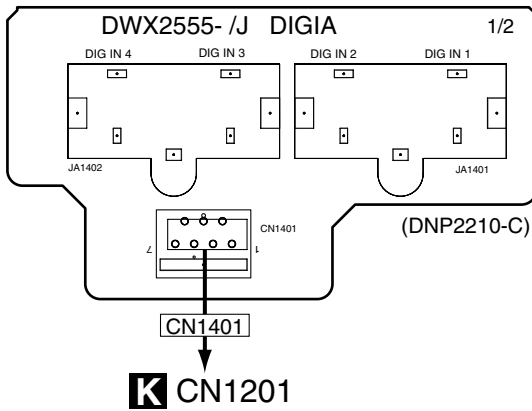
# 4.6 PANEL 2 and DIGIA ASSYS

**SIDE A**

## **F** PANEL2 ASSY



## **L** DIGIA ASSY

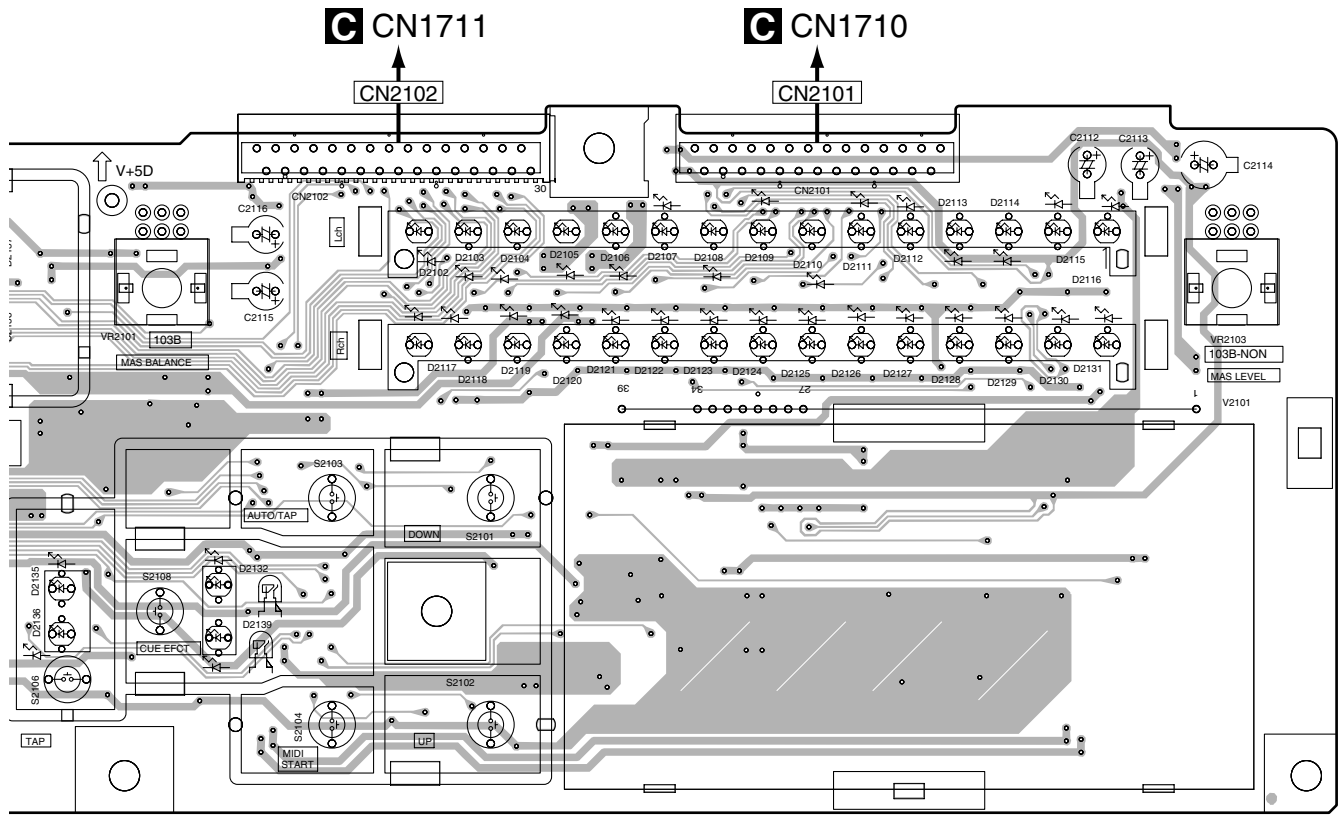


**F L**



**SIDE A**

A



B

C

(DNP2210-C)

D

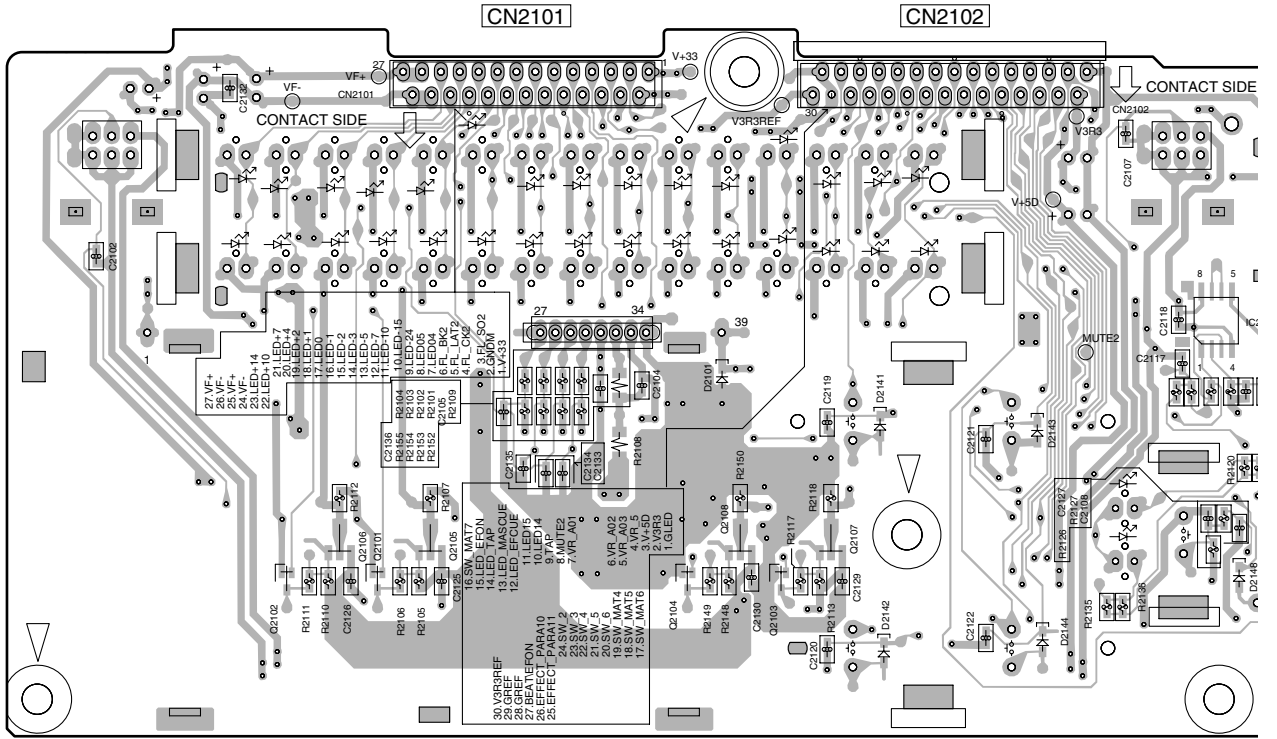
E

F

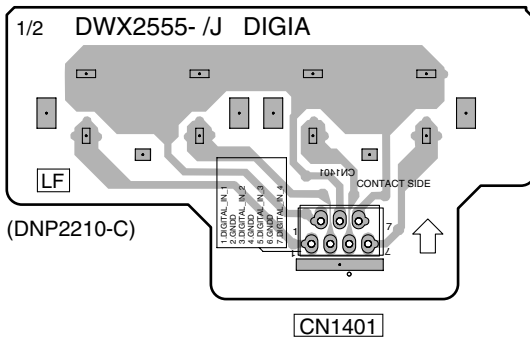


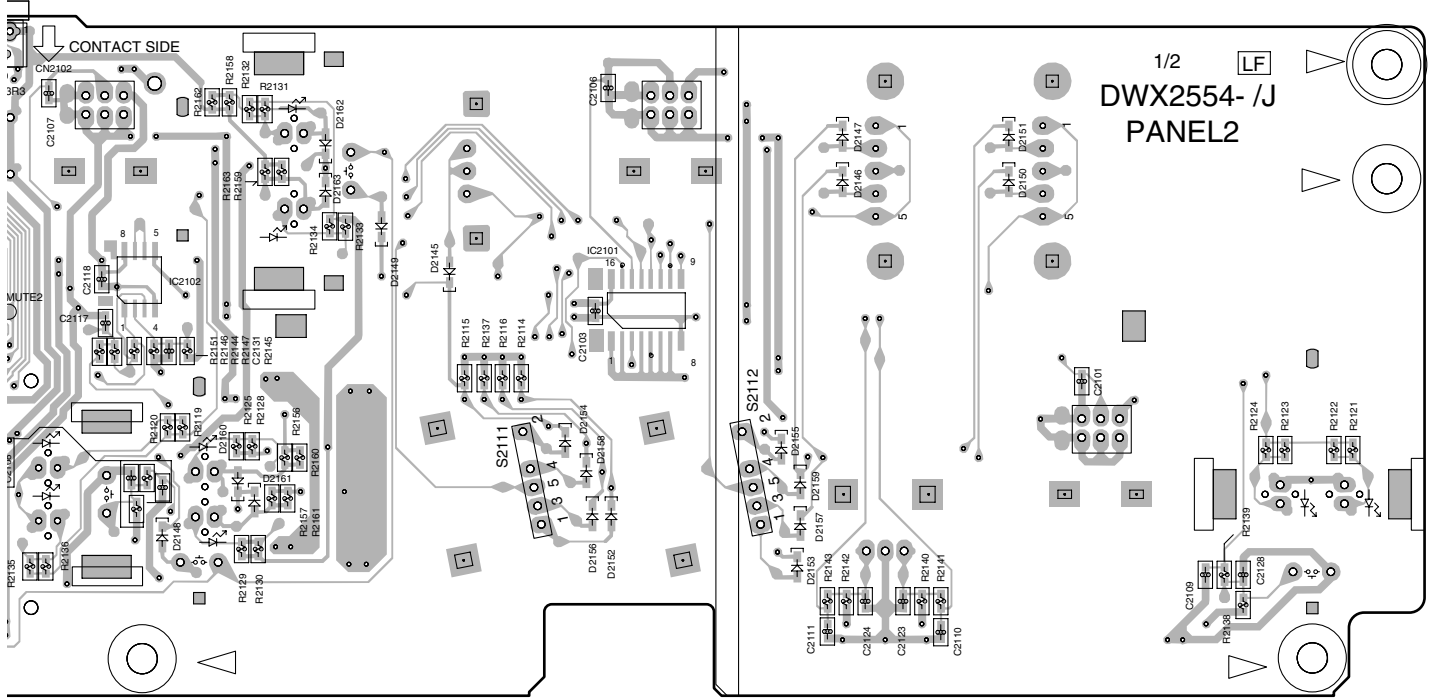
**SIDE B**

**F PANEL2 ASSY**



**L DIGIA ASSY**





1/2 LF  
DWX2554- /J  
PANEL2

IC2102

IC2101

(DNP2210-C)

# 4.7 DSP ASSY

**SIDE A**

## DSP ASSY

A  
B  
C  
D  
E  
F

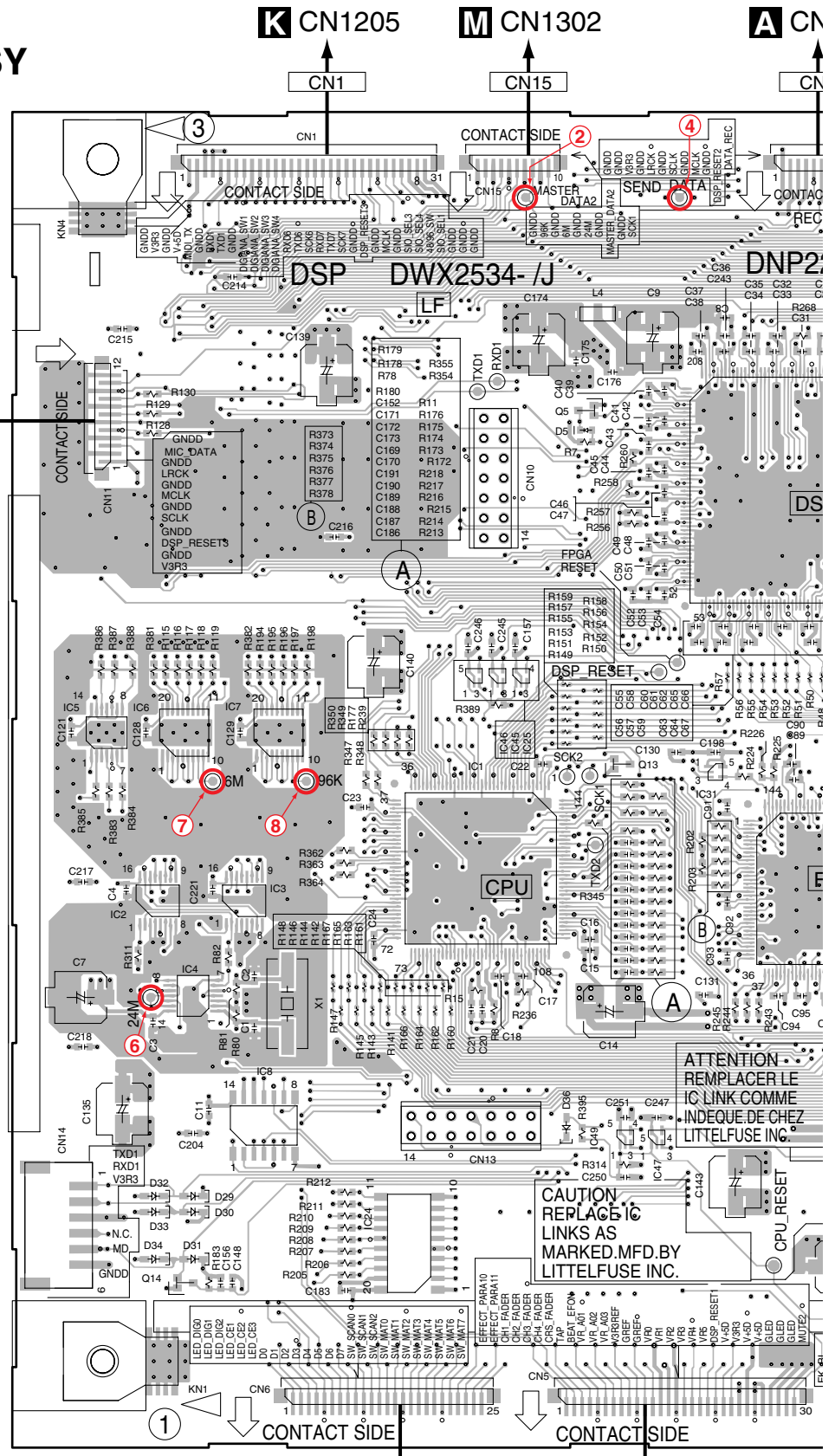
1

2

3

4

IC39  
Q5  
IC22 IC12  
Q13  
IC5 IC6 IC7  
IC11 IC25 IC1  
IC31  
IC3 IC2 IC13  
Q2 Q1  
IC4 IC15 IC14  
Q3 Q4  
IC49  
Q16  
IC47 IC43 IC44 IC48 IC16  
IC40 IC42 IC24 IC41  
Q14



**K** CN1205    **M** CN1302    **A** CN

↑ CN1    ↑ CN15    ↑ CN

**B** CN1502

**C** CN1703    **C** CN1702

↓ CN6    ↓ CN5

1

2

3

4

**SIDE A**

A

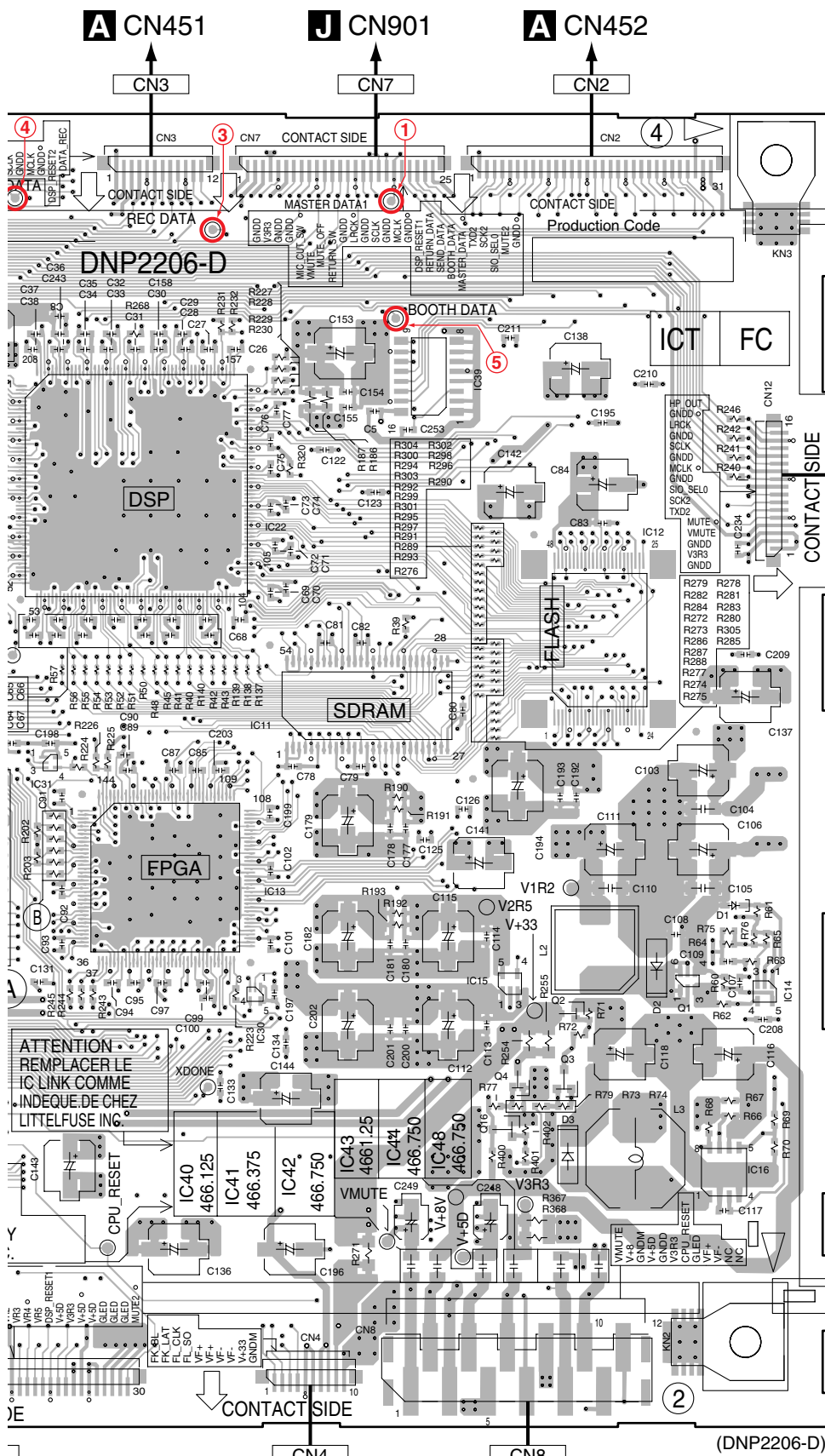
B

C

D

E

F



(DNP2206-D)

702

**C** CN1701

**Q** CN201

NOTE : The encircled numbers denote measuring point.



SIDE B

# DSP ASSY

A

B

C

D

E

F

CN2

CN7

CN3

ICT

Q12

CN12

Q11

Q10

Q9

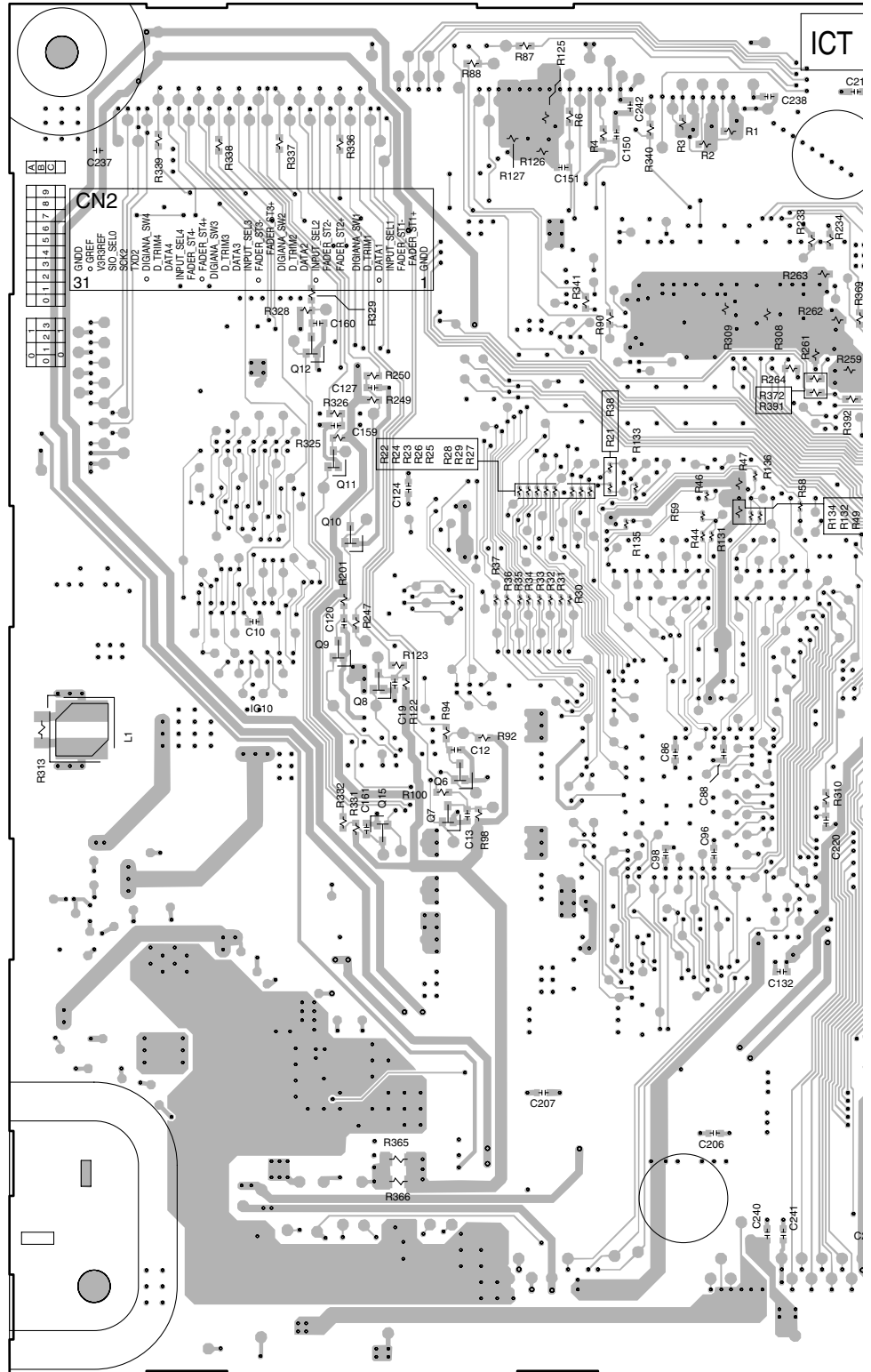
Q8

Q6

Q7

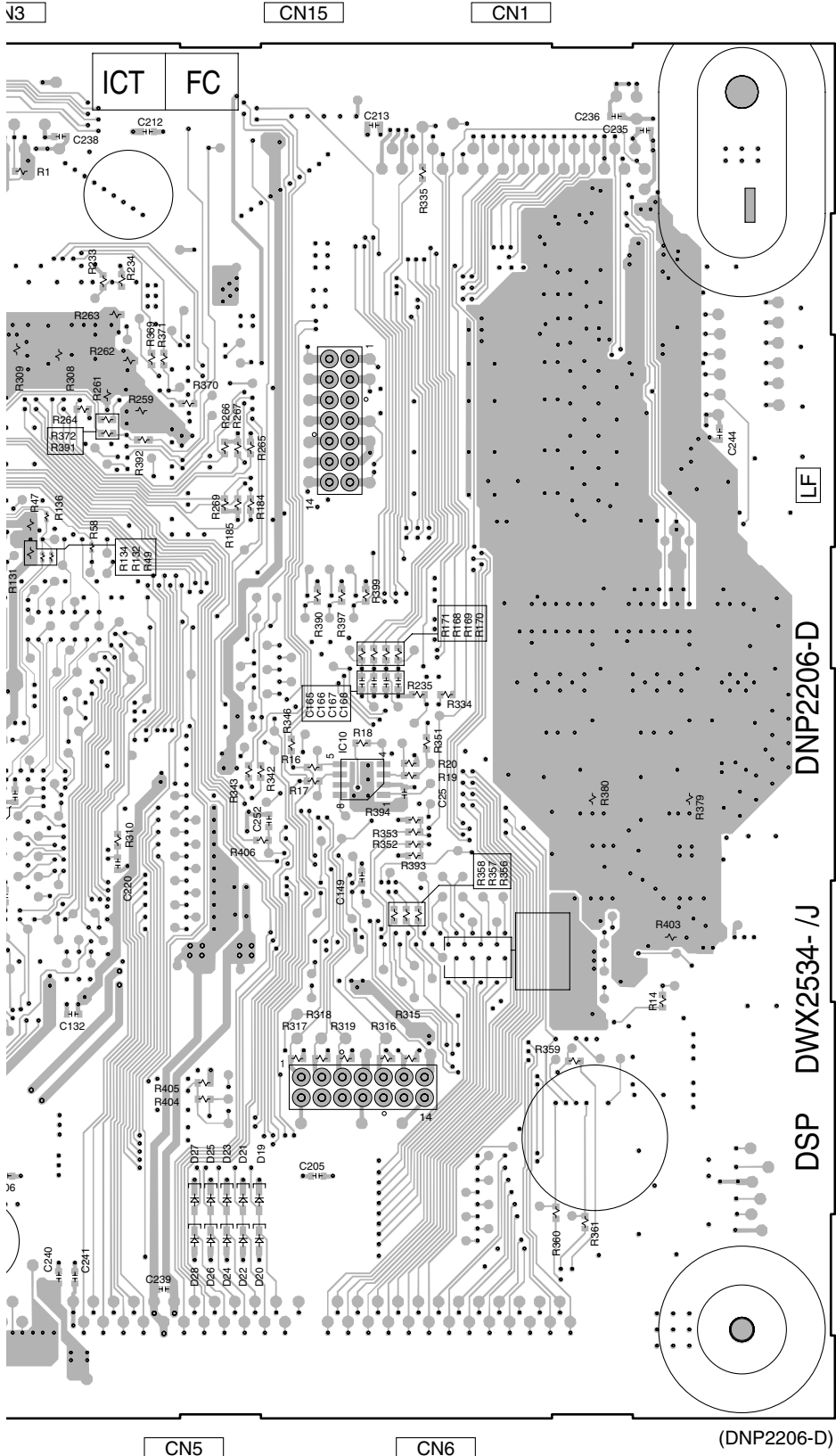
CN8

CN4



SIDE B

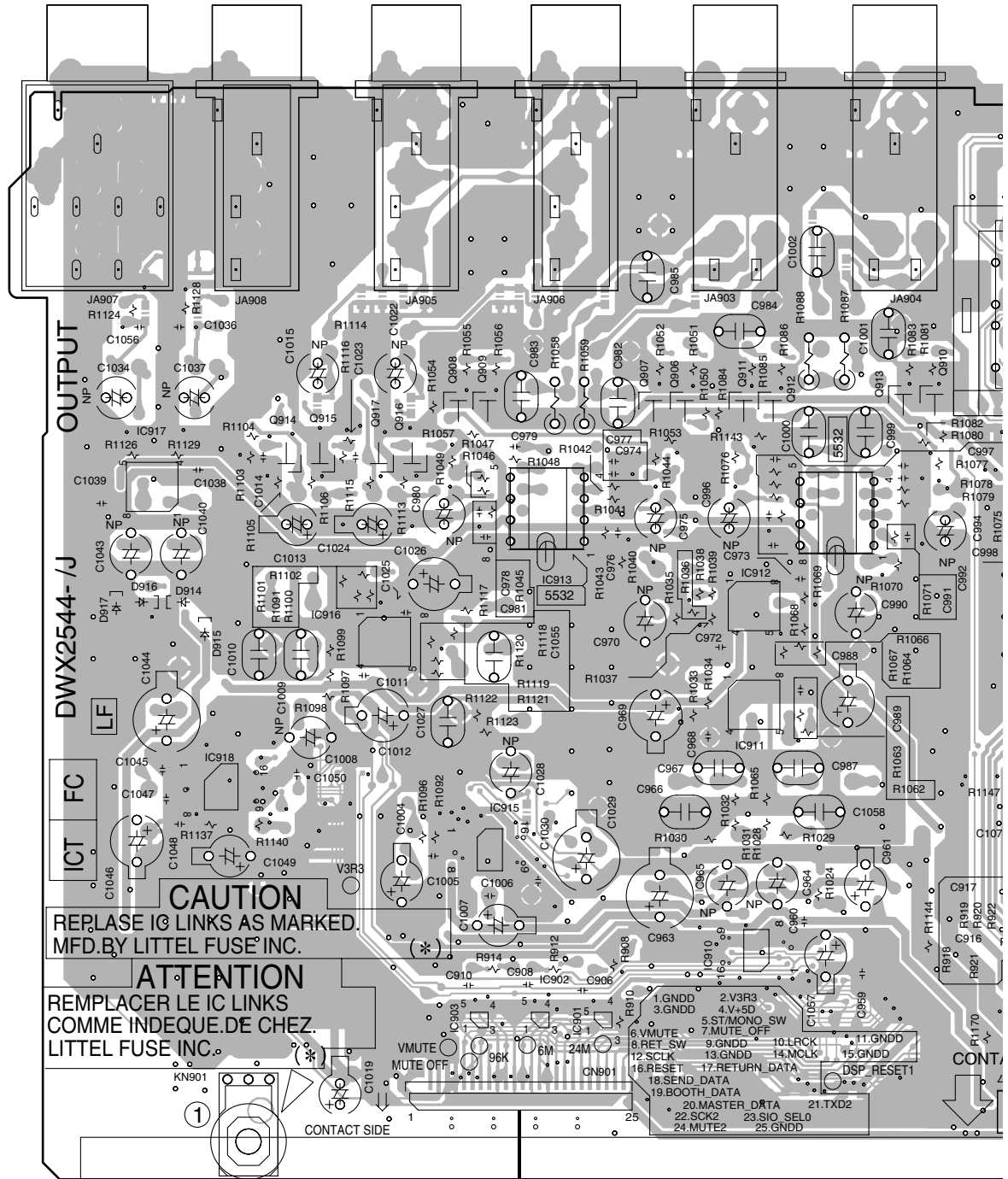
A  
B  
C  
D  
E  
F



# 4.8 OUTPUT ASSY

**SIDE A**

## J OUTPUT ASSY



CN901  
CN7

|       |       |       |       |       |       |       |       |       |
|-------|-------|-------|-------|-------|-------|-------|-------|-------|
| IC917 | IC918 | IC916 | IC903 | IC915 | IC901 | IC911 | IC910 | IC912 |
| Q914  | Q915  | Q917  | Q916  | Q908  | Q909  | Q907  | Q911  | Q912  |
| Q913  | Q910  |       |       |       |       |       |       |       |







**SIDE B**

A

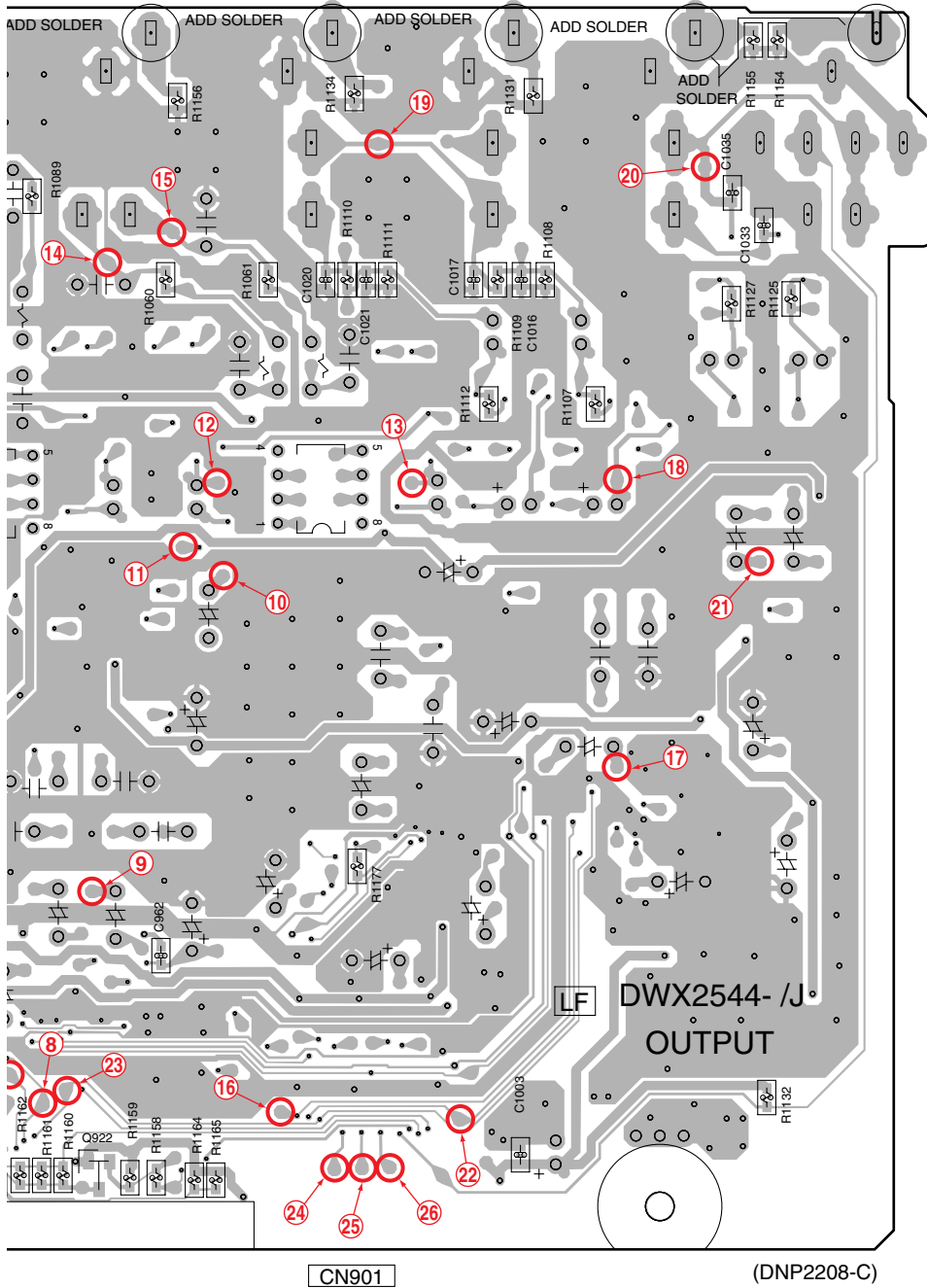
B

C

D

E

F



NOTE : The encircled numbers denote measuring point.

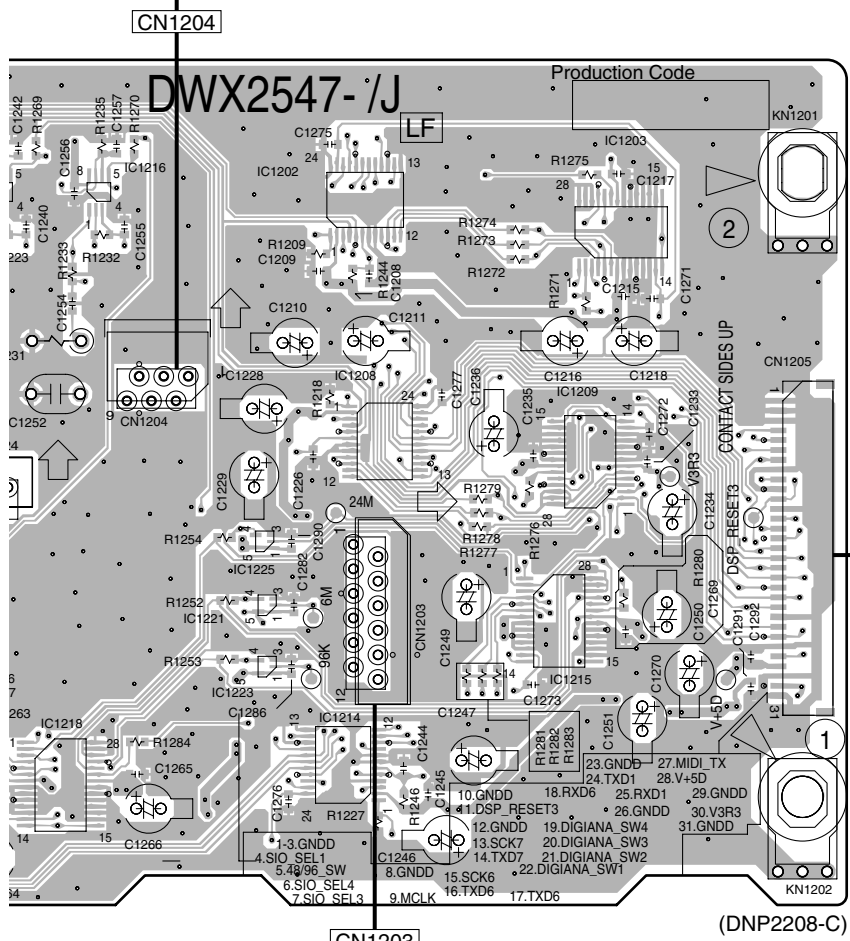
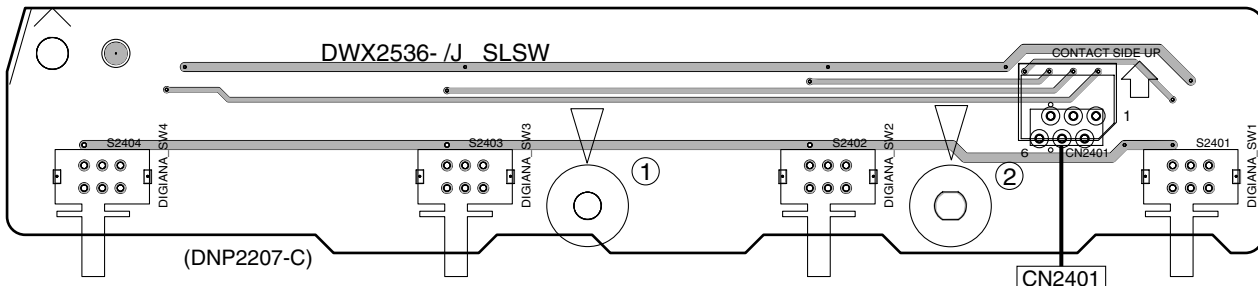
Q922

**J**



**SIDE A**

# N SLSW ASSY



CN1203

**A** CN453

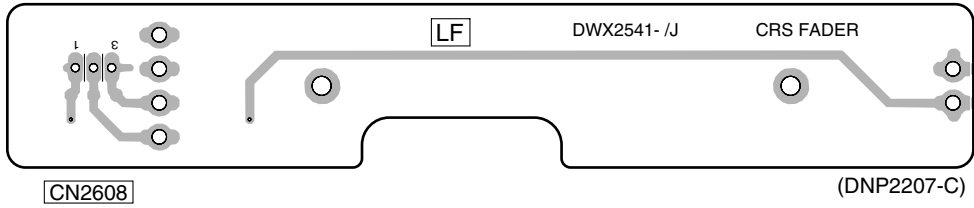
|        |        |        |        |        |        |        |
|--------|--------|--------|--------|--------|--------|--------|
| IC1218 | IC1216 | IC1221 | IC1223 | IC1225 | IC1208 | IC1209 |
|        |        |        |        | IC1202 | IC1214 | IC1215 |
|        |        |        |        |        |        | IC1203 |

**N K**

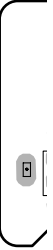
**SIDE B**

A

**H CRSFD ASSY**



**N**



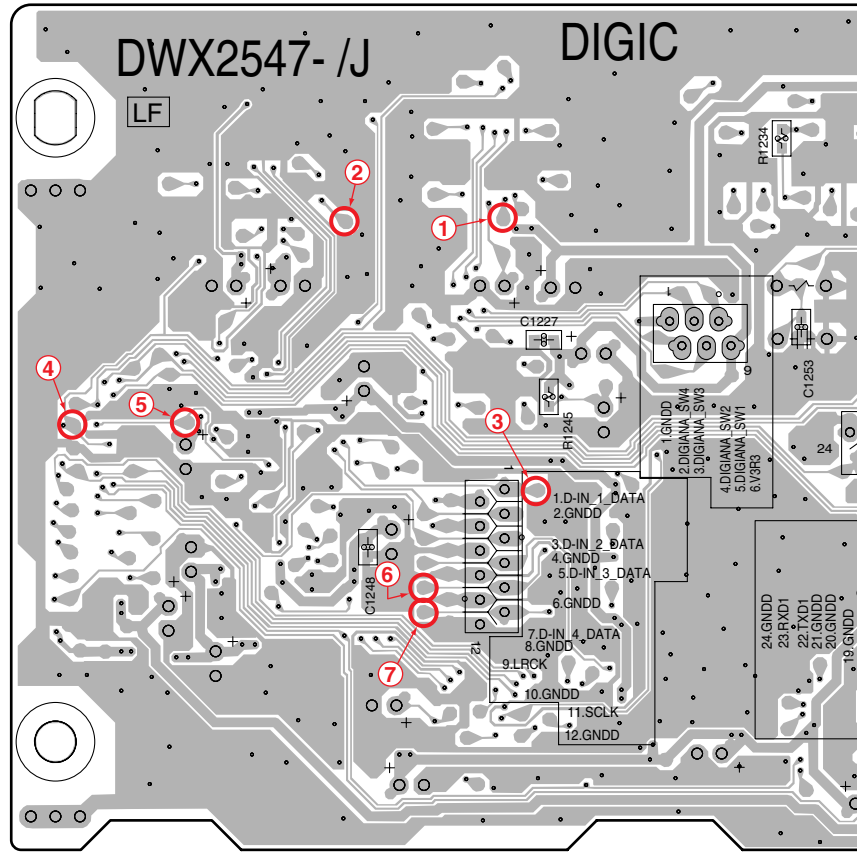
**K DIGIC ASSY**

C

CN1204

D

E



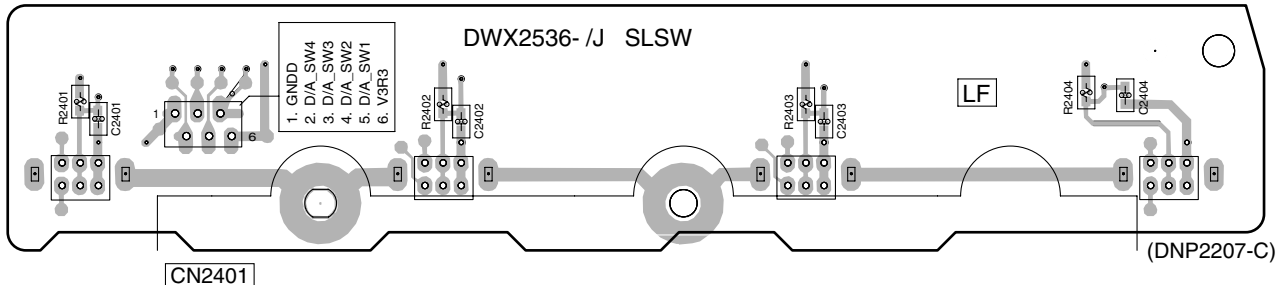
F

NOTE : The encircled numbers denote measuring point.

SIDE B

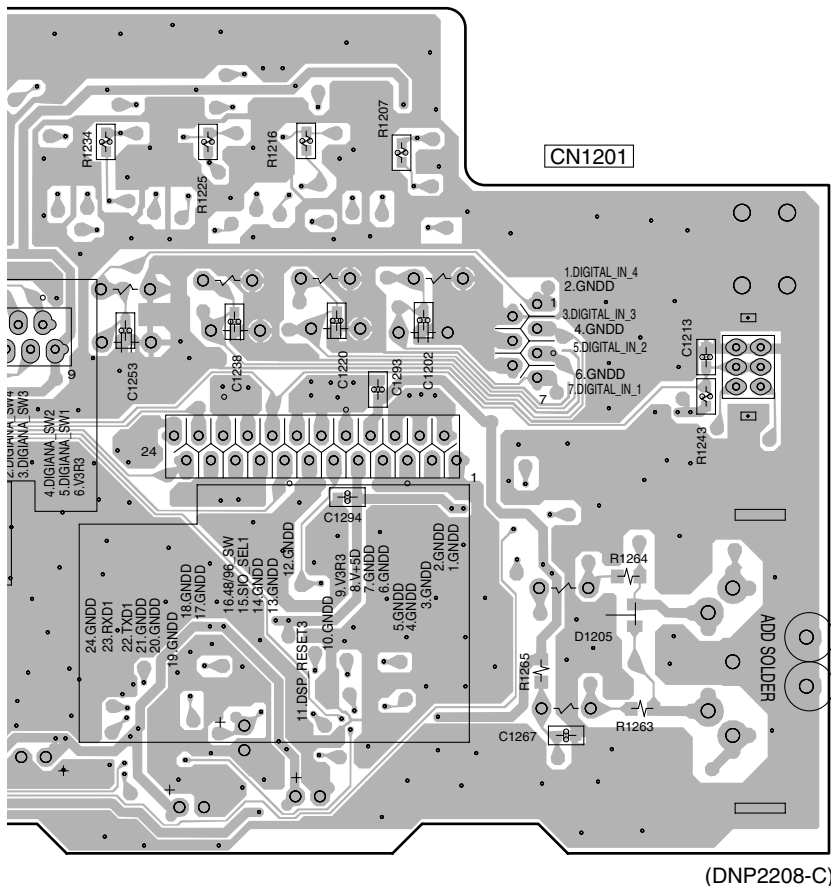
A

# N SLSW ASSY



B

204



C

D

E

F



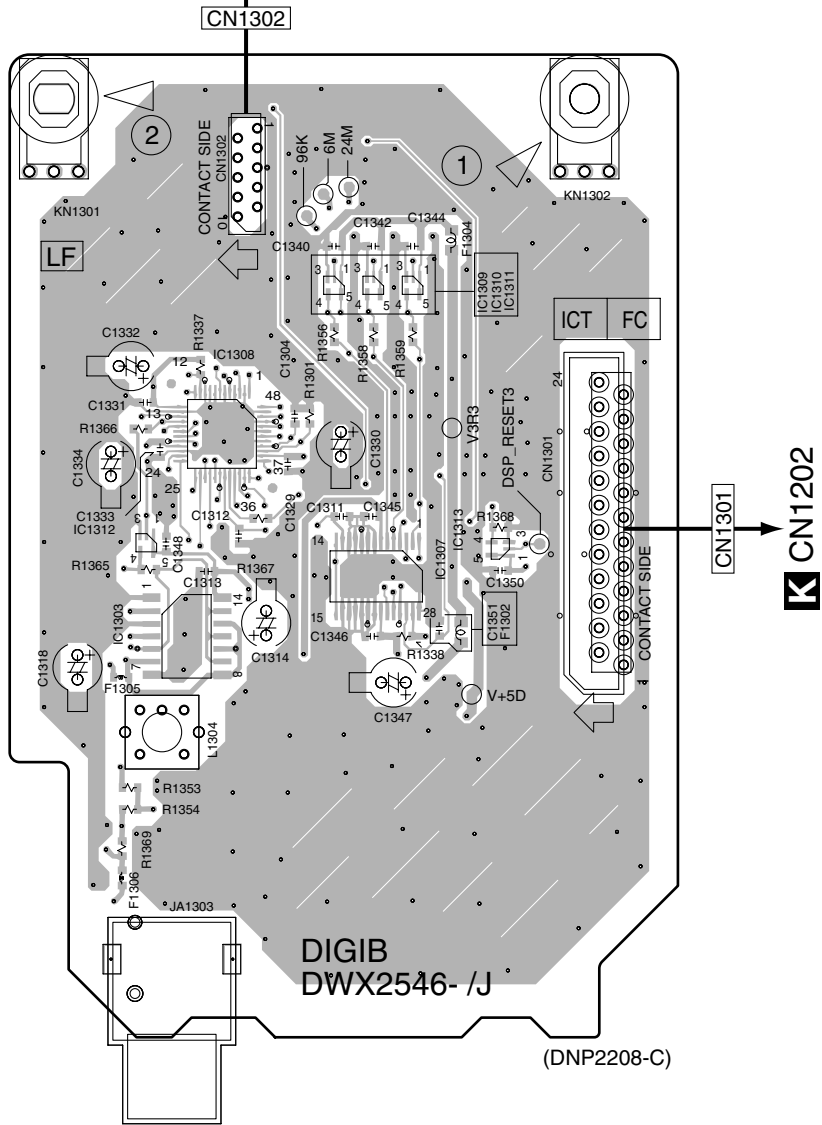
# 4.10 DIGIB ASSY

**SIDE A**

**SIDE A**

**M DIGIB ASSY**

**I CN15**



- |        |        |        |        |        |        |        |        |
|--------|--------|--------|--------|--------|--------|--------|--------|
| IC1312 | IC1303 | IC1308 | IC1313 | IC1309 | IC1310 | IC1307 | IC1311 |
| Q925   |        |        |        |        |        |        |        |
| Q903   |        |        |        |        |        |        |        |

**M**

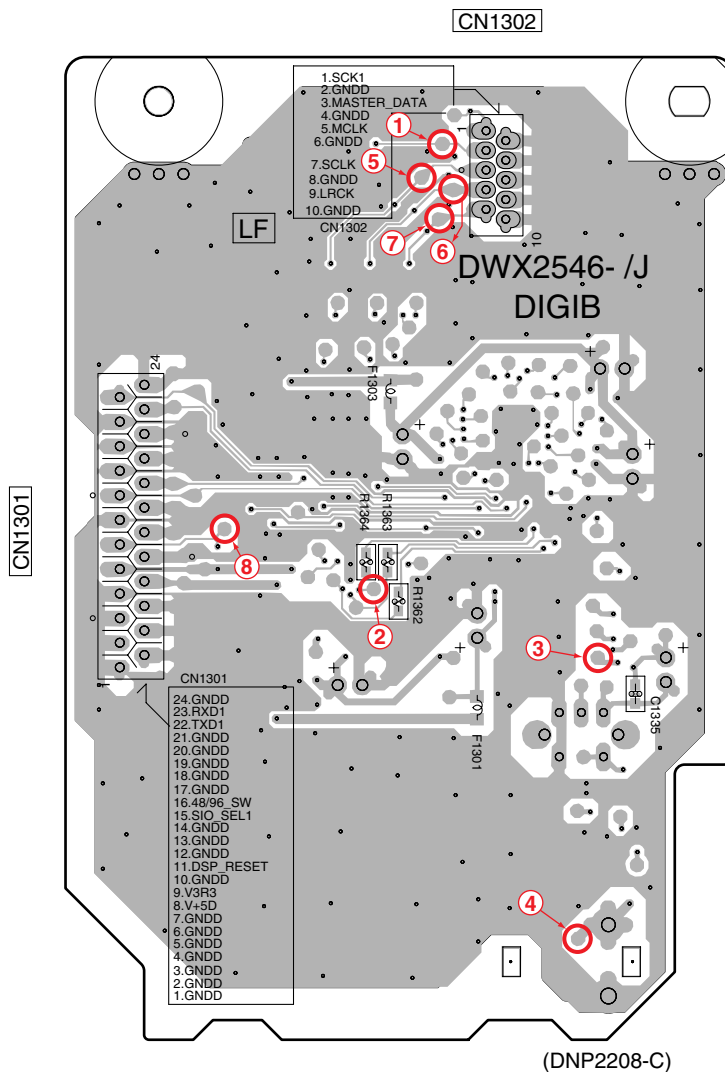
**M**



SIDE B

SIDE B

# M DIGIB ASSY



NOTE : The encircled numbers denote measuring point.

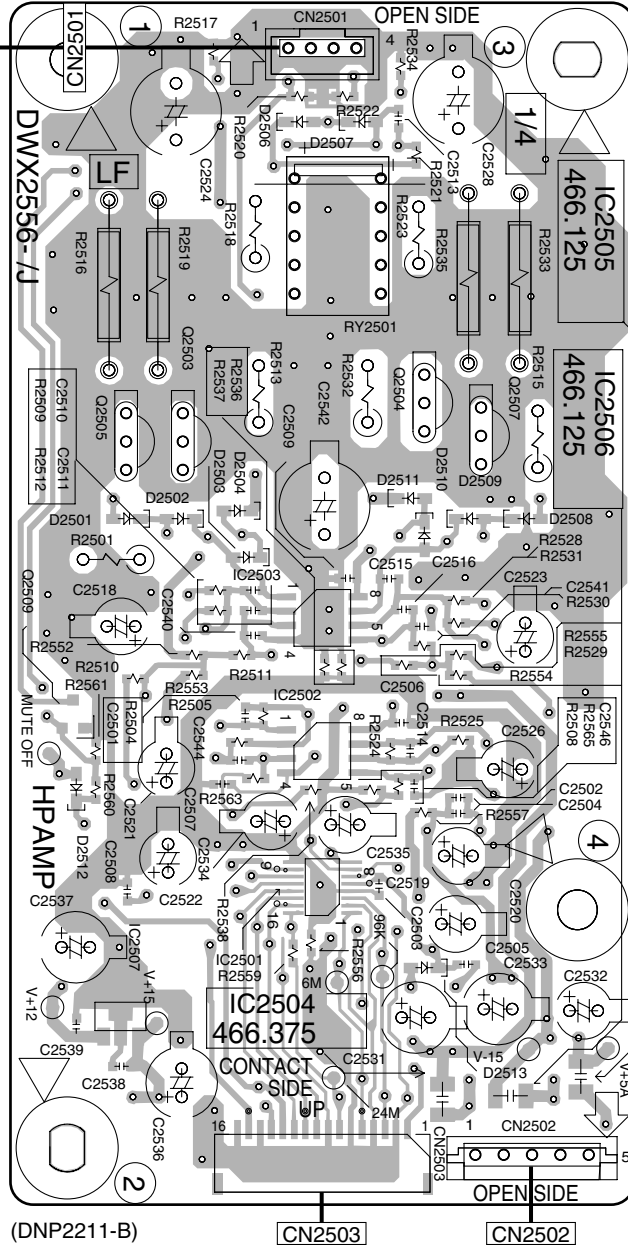
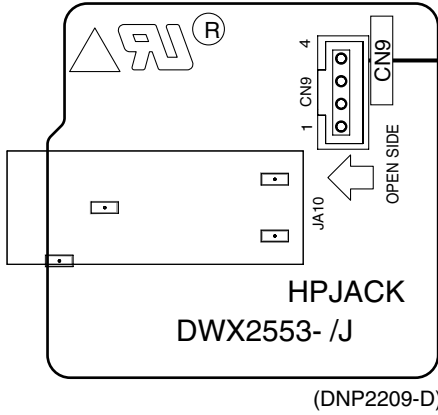
# 4.11 HPAMP and HPJACK ASSYS

**SIDE A**

**SIDE A**

**P HPJACK ASSY**

**O HPAMP ASSY**



- IC2505
- Q2503
- Q2504 Q2507
- IC2506
- Q2505
- IC2503
- Q2509
- IC2502
- IC2507
- IC2501
- IC2504

**I CN12**

**Q CN203**

**O P**

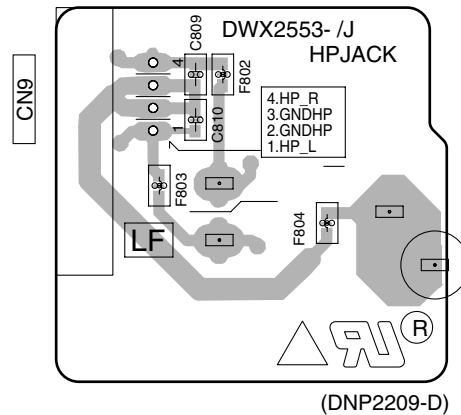
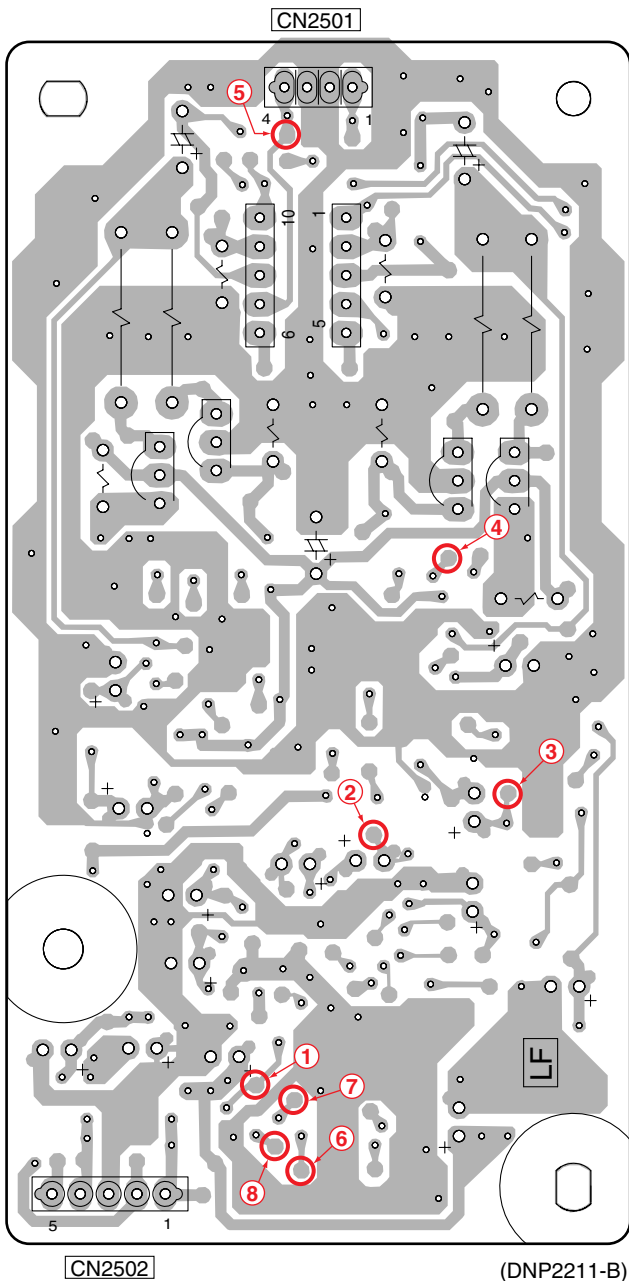
**O**

**SIDE B**

**SIDE B**

**O HPAMP ASSY**

**P HPJACK ASSY**



NOTE : The encircled numbers denote measuring point.

**O**

**P O**

# 5. PCB PARTS LIST

NOTES: ● Parts marked by "NSP" are generally unavailable because they are not in our Master Spare Parts List.

● The  $\Delta$  mark found on some component parts indicates the importance of the safety factor of the part. Therefore, when replacing, be sure to use parts of identical designation.

● When ordering resistors, first convert resistance values into code form as shown in the following examples.

Ex.1 When there are 2 effective digits (any digit apart from 0), such as 560 ohm and 47k ohm (tolerance is shown by J=5%, and K=10%).

560  $\Omega$  → 56 x 10<sup>1</sup> → 561 ..... RD1/4PU 5 6 7 J  
 47k  $\Omega$  → 47 x 10<sup>3</sup> → 473 ..... RD1/4PU 4 7 3 J  
 0.5  $\Omega$  → R50 ..... RN2H R 5 0 K  
 1  $\Omega$  → 1R0 ..... RS1P 7 R 0 K

Ex.2 When there are 3 effective digits (such as in high precision metal film resistors).

5.62k  $\Omega$  → 562 x 10<sup>1</sup> → 5621 ..... RN1/4PC 5 6 2 1 F

## MarkNo. Description Part No.

### LIST OF ASSEMBLIES

|     |                |         |
|-----|----------------|---------|
| NSP | 1..INFD ASSY   | DWM2239 |
|     | 2..INPUT ASSY  | DWX2535 |
|     | 2..MIC 1 ASSY  | DWX2542 |
|     | 2..MIC 2 ASSY  | DWX2543 |
|     | 2..SLSW ASSY   | DWX2536 |
|     | 2..CHFD 1 ASSY | DWX2537 |
|     | 2..CHFD 2 ASSY | DWX2538 |
|     | 2..CHFD 3 ASSY | DWX2539 |
|     | 2..CHFD 4 ASSY | DWX2540 |
|     | 2..CRSFD ASSY  | DWX2541 |

|     |                |         |
|-----|----------------|---------|
| NSP | 1..OUDIG ASSY  | DWM2240 |
|     | 2..OUTPUT ASSY | DWX2544 |
|     | 2..AC SW ASSY  | DWX2545 |
|     | 2..DIGIB ASSY  | DWX2546 |
|     | 2..DIGIC ASSY  | DWX2547 |
|     | 2..TRIM 1 ASSY | DWX2548 |
|     | 2..TRIM 2 ASSY | DWX2549 |
|     | 2..TRIM 3 ASSY | DWX2550 |
|     | 2..TRIM 4 ASSY | DWX2551 |

|     |                   |         |
|-----|-------------------|---------|
| NSP | 1....PANEL-A ASSY | DWM2241 |
|     | 2..PANEL 1 ASSY   | DWX2552 |
|     | 2..HPJACK ASSY    | DWX2553 |

|     |                   |         |
|-----|-------------------|---------|
| NSP | 1....PANEL-B ASSY | DWM2242 |
|     | 2..PANEL 2 ASSY   | DWX2554 |
|     | 2..DIGI A ASSY    | DWX2555 |

|  |             |         |
|--|-------------|---------|
|  | 1..DSP ASSY | DWX2534 |
|--|-------------|---------|

|  |               |         |
|--|---------------|---------|
|  | 1..HPAMP ASSY | DWX2556 |
|--|---------------|---------|

|          |                      |         |
|----------|----------------------|---------|
| $\Delta$ | 1..POWER SUPPLY UNIT | DWR1433 |
|----------|----------------------|---------|

## Mark No. Description Part No.

### A INPUT ASSY SEMICONDUCTORS

|          |                                  |                |
|----------|----------------------------------|----------------|
|          | IC409, IC509, IC609, IC709       | CS5361-KS      |
| $\Delta$ | IC809, IC810                     | DEK1096        |
|          | IC405, IC505, IC605, IC705       | LM4040EIM3-2.5 |
|          | IC501, IC601, IC701              | NE5532AD       |
|          | IC401-IC404, IC406, IC502-IC504  | NJM4580MD      |
|          | IC506, IC602-IC604, IC606        | NJM4580MD      |
|          | IC702-IC704, IC706, IC801, IC802 | NJM4580MD      |
|          | IC804                            | NJM4580MD      |
|          | IC803                            | PCM1742KE      |
|          | IC805                            | TA78L12F       |

## Mark No. Description Part No.

|                            |             |
|----------------------------|-------------|
| IC451-IC456, IC806, IC807  | TC7SH08FUS1 |
| IC408, IC508, IC608, IC708 | TC7WH157FU  |
| Q801-Q808                  | 2SC3326     |
| Q504-Q507, Q604-Q607       | 2SK371D1    |
| Q704-Q707                  | 2SK371D1    |

|                        |           |
|------------------------|-----------|
| Q401, Q501, Q601, Q701 | DTC124EUA |
| D410, D411, D510, D511 | 1SS355    |
| D610, D611, D710, D711 | 1SS355    |
| D401-D404, D501-D504   | RB706D-40 |
| D601-D604, D701-D704   | RB706D-40 |

|                        |            |
|------------------------|------------|
| D409, D509, D609, D709 | UDZS5R6(B) |
|------------------------|------------|

### COILS AND FILTERS

|                      |               |
|----------------------|---------------|
| L803                 | LCKAW221J2520 |
| F489-F492, F589-F592 | VTF1093       |
| F689-F692, F789-F792 | VTF1093       |

### SWITCHES AND RELAYS

|                            |         |
|----------------------------|---------|
| RY401, RY501, RY601, RY701 | VSR1008 |
|----------------------------|---------|

### CAPACITORS

|                              |              |
|------------------------------|--------------|
| C403-C406, C421-C424, C435   | CCSRCH101J50 |
| C440, C444, C445, C449, C450 | CCSRCH101J50 |
| C521-C524, C535, C540        | CCSRCH101J50 |
| C544, C545, C549, C550       | CCSRCH101J50 |
| C621-C624, C635, C640        | CCSRCH101J50 |

|                        |              |
|------------------------|--------------|
| C644, C645, C649, C650 | CCSRCH101J50 |
| C721-C724, C735, C740  | CCSRCH101J50 |
| C744, C745, C749, C750 | CCSRCH101J50 |
| C571, C572, C671, C672 | CCSRCH181J50 |
| C771, C772             | CCSRCH181J50 |

|                        |              |
|------------------------|--------------|
| C503, C504, C603, C604 | CCSRCH221J50 |
| C703, C704             | CCSRCH221J50 |
| C509, C510, C609, C610 | CCSRCH331J50 |
| C709, C710             | CCSRCH331J50 |
| C573, C574, C673, C674 | CCSRCH471J50 |

|                              |              |
|------------------------------|--------------|
| C773, C774                   | CCSRCH471J50 |
| C465, C565, C665, C765       | CEHAR100M16  |
| C419, C420, C429, C430, C464 | CEHAR100M35  |
| C488-C490, C497, C519, C520  | CEHAR100M35  |
| C529, C530, C564, C566, C567 | CEHAR100M35  |

|                              |             |
|------------------------------|-------------|
| C588, C589, C619, C620       | CEHAR100M35 |
| C629, C630, C664, C666, C667 | CEHAR100M35 |
| C688, C689, C699, C719, C720 | CEHAR100M35 |
| C729, C730, C764, C766, C767 | CEHAR100M35 |
| C788, C789, C809-C812        | CEHAR100M35 |

|                             |             |
|-----------------------------|-------------|
| C817-C820, C823, C826, C836 | CEHAR100M35 |
|-----------------------------|-------------|

| 5                            | 6             | 7                                         | 8             |
|------------------------------|---------------|-------------------------------------------|---------------|
| Mark No.                     | Description   | Part No.                                  | Part No.      |
| C838                         | CEHAR100M35   | R549, R564, R567, R646, R649              | RN1/16SE1201D |
| C462, C562, C662, C762       | CEHAR101M10   | R664, R667, R746, R749, R764              | RN1/16SE1201D |
| C507, C508, C607, C608       | CEHAT471M25   | R767                                      | RN1/16SE1201D |
| C707, C708                   | CEHAT471M25   |                                           |               |
| C829, C841                   | CEJQ100M25    | R407, R408, R423, R424                    | RN1/16SE1502D |
| C866, C867, C870, C871       | CEJQ101M25    | R523, R524, R623, R624                    | RN1/16SE1502D |
| C843                         | CEJQ221M10    | R723, R724                                | RN1/16SE1502D |
| C463, C563, C663, C763       | CEJQ221M6R3   | R430, R434, R530, R534, R630              | RN1/16SE1503D |
| C830, C833                   | CEJQ470M10    | R634, R730, R734                          | RN1/16SE1503D |
| C853, C861, C865             | CEJQ470M25    | R428, R432, R528, R532, R628              | RN1/16SE2202D |
| C432-C434, C437-C439         | CFTNA334J50   | R632, R728, R732                          | RN1/16SE2202D |
| C532-C534, C537-C539         | CFTNA334J50   | R441, R443, R459, R461, R541              | RN1/16SE2401D |
| C632-C634, C637-C639         | CFTNA334J50   | R543, R559, R561, R641, R643              | RN1/16SE2401D |
| C732-C734, C737-C739         | CFTNA334J50   | R659, R661, R741, R743, R759              | RN1/16SE2401D |
| C402, C446, C451, C453-C455  | CKSRYB103K50  | R761                                      | RN1/16SE2401D |
| C459, C502, C546, C551       | CKSRYB103K50  | R801-R804, R817-R820                      | RN1/16SE2700D |
| C553-C555, C559, C602, C646  | CKSRYB103K50  | R436-R439, R444, R445                     | RN1/16SE3301D |
| C651, C653-C655, C659, C702  | CKSRYB103K50  | R454-R457, R462, R463                     | RN1/16SE3301D |
| C746, C751, C753-C755, C759  | CKSRYB103K50  | R474, R475, R536-R539                     | RN1/16SE3301D |
| C831, C832, C842             | CKSRYB103K50  | R544, R545, R554-R557                     | RN1/16SE3301D |
| C868, C869, C876             | CKSRYB104K16  | R562, R563, R596, R597                    | RN1/16SE3301D |
| C401, C417, C418, C427, C428 | CKSRYB104K25  | R636-R639, R644, R645                     | RN1/16SE3301D |
| C436, C441-C443, C447, C448  | CKSRYB104K25  | R654-R657, R662, R663                     | RN1/16SE3301D |
| C458, C468, C469, C491-C496  | CKSRYB104K25  | R674, R675, R696, R697                    | RN1/16SE3301D |
| C501, C517, C518, C527, C528 | CKSRYB104K25  | R736-R739, R744, R745                     | RN1/16SE3301D |
| C536, C541-C543, C547, C548  | CKSRYB104K25  | R754-R757, R762, R763                     | RN1/16SE3301D |
| C558, C568, C569, C600       | CKSRYB104K25  | R774, R775, R796, R797                    | RN1/16SE3301D |
| C617, C618, C627, C628, C636 | CKSRYB104K25  | R447, R448, R465, R466                    | RN1/16SE3601D |
| C641-C643, C647, C648, C658  | CKSRYB104K25  | R547, R548, R565, R566                    | RN1/16SE3601D |
| C668, C669, C701, C717, C718 | CKSRYB104K25  | R647, R648, R665, R666                    | RN1/16SE3601D |
| C727, C728, C736, C741-C743  | CKSRYB104K25  | R747, R748, R765, R766                    | RN1/16SE3601D |
| C747, C748, C758, C768, C769 | CKSRYB104K25  | R809-R812                                 | RN1/16SE4300D |
| C821, C825, C834, C837       | CKSRYB104K25  | R503-R506, R603-R606                      | RN1/16SE8200D |
| C844, C845, C852, C860       | CKSRYB104K25  | R703-R706                                 | RN1/16SE8200D |
| C862-C864, C872, C873        | CKSRYB104K25  | R429, R433, R529, R533, R629              | RN1/16SE1202D |
| C877, C878                   | CKSRYB104K25  | R633, R729, R733                          | RN1/16SE1202D |
| C457, C557, C657, C757       | CKSRYB104K50  | R898                                      | RS1/8S0ROJ    |
| C470, C475, C570, C575, C670 | CKSRYB272K50  | R511, R512, R611, R612                    | RSK1/16S222J  |
| C675, C770, C775             | CKSRYB272K50  | R711, R712                                | RSK1/16S222J  |
| C452, C552, C652, C752       | CKSRYB473K50  | R509, R510, R609, R610                    | RSK1/16S273J  |
| C511, C512, C611, C612       | CQMA124J50    | R709, R710                                | RSK1/16S273J  |
| C711, C712                   | CQMA124J50    | R507, R508, R607, R608                    | RSK1/16S510J  |
| C514, C515, C614, C615       | CQMA222J50    | R707, R708                                | RSK1/16S510J  |
| C714, C715, C801-C804        | CQMA222J50    | Other Resistors                           | RS1/16S###J   |
| C505, C506, C605, C606       | CQMA223J50    |                                           |               |
| C705, C706                   | CQMA223J50    |                                           |               |
| C828, C840                   | CQMA272J50    |                                           |               |
| C513, C516, C613, C616, C713 | CQMA333J50    |                                           |               |
| C716                         | CQMA333J50    |                                           |               |
| C805-C808, C827, C839        | CQMA392J50    |                                           |               |
| C813-C816                    | CQMA682J50    |                                           |               |
| <b>RESISTORS</b>             |               | <b>OTHERS</b>                             |               |
| R401, R402, R419, R420       | RN1/16SE1001D | CN454 7P FFC CONNECTOR                    | 52044-0745    |
| R519, R520, R619, R620       | RN1/16SE1001D | CN453 12P FFC CONNECTOR                   | 52044-1245    |
| R719, R720                   | RN1/16SE1001D | CN451 12P FFC CONNECTOR                   | DKN1450       |
| R403, R404, R421, R422       | RN1/16SE1102D | CN452 31P FFC CONNECTOR                   | DKN1451       |
| R521, R522, R621, R622       | RN1/16SE1102D | SHIELD CASE S                             | DNH2717       |
| R721, R722                   | RN1/16SE1102D | JA402 REMOTE CONTROL JACK                 | RKN1004       |
| R446, R449, R464, R467, R546 | RN1/16SE1201D | JA502 REMOTE CONTROL JACK                 | RKN1004       |
|                              |               | JA602 REMOTE CONTROL JACK                 | RKN1004       |
|                              |               | JA702 REMOTE CONTROL JACK                 | RKN1004       |
|                              |               | CN455 6P SIDE POST                        | S6B-EH        |
|                              |               | JA401, JA501, JA601, JA701, JA801 4P JACK | VKB1132       |
|                              |               | KN1, KN2 WRAPPING TERMINAL                | VNF1084       |
|                              |               | CN401, CN501, CN601, CN701 11P PLUG       | XKP3065       |

**Mark No. Description****Part No.****Mark No. Description****Part No.****B MIC1 ASSY****SEMICONDUCTORS**

|                |           |
|----------------|-----------|
| IC1501         | AK5381VT  |
| IC1502, IC1503 | NJM4580MD |
| Q1501-Q1504    | 2SC4081   |
| D1510-D1515    | 1SS355    |
| D1518-D1521    | RB501V-40 |

**COILS AND FILTERS**

|                     |         |
|---------------------|---------|
| F1547-F1549         | DTF1069 |
| F1541, F1543, F1545 | VTF1093 |
| L1542, L1544, L1546 | VTL1105 |

**CAPACITORS**

|                                   |              |
|-----------------------------------|--------------|
| C1505, C1516, C1518, C1525        | CCSRCH101J50 |
| C1501-C1503, C1509-C1514, C1524   | CCSRCH102J50 |
| C1504, C1517                      | CCSRCH331J50 |
| C1508, C1521, C1532, C1534, C1535 | CEAL100M16   |
| C1537                             | CEAL100M16   |

|                     |              |
|---------------------|--------------|
| C1538               | CEAL101M10   |
| C1543, C1544        | CEAL101M25   |
| C1540               | CEAL470M10   |
| C1539, C1541, C1542 | CEAL470M16   |
| C1530, C1531        | CEALNP220M16 |

|                            |              |
|----------------------------|--------------|
| C1550, C1552               | CFTLA103J50  |
| C1529                      | CKSRYB103K50 |
| C1506, C1507, C1519, C1520 | CKSRYB104K25 |
| C1546-C1549, C1551         | CKSRYB104K25 |
| C1526-C1528                | CKSRYB104K50 |

|       |              |
|-------|--------------|
| C1545 | CKSRYB472K50 |
|-------|--------------|

**RESISTORS**

|                            |               |
|----------------------------|---------------|
| R1503, R1514, R1515, R1529 | RN1/16SE1000D |
| R1504, R1505, R1519, R1520 | RN1/16SE1501D |
| R1508, R1523               | RN1/16SE3300D |
| R1506, R1509, R1510, R1521 | RN1/16SE3901D |
| R1524, R1525               | RN1/16SE3901D |

|                            |               |
|----------------------------|---------------|
| R1516, R1517, R1530, R1531 | RN1/16SE4701D |
| Other Resistors            | RS1/16S###J   |

**OTHERS**

|                          |            |
|--------------------------|------------|
| 0 4P CABLE HOLDER        | 51048-0400 |
| JA1502 CANON CONNECTOR   | DKB1068    |
| CN1503 CONNECTOR         | DKN1408    |
| CN1502 12P FFC CONNECTOR | DKN1450    |
| J1502 4P JUMPER WIRE     | DKP3767    |

|                     |        |
|---------------------|--------|
| CN1501 5P SIDE POST | S5B-EH |
|---------------------|--------|

**C PANEL1 ASSY**  
**SEMICONDUCTORS**

|                |              |
|----------------|--------------|
| IC1706-IC1708  | TC74HC238AF  |
| IC1711-IC1713  | TC74HC273AF  |
| IC1701-IC1705  | TC74HC4051AF |
| IC1714         | TC74HCT08AF  |
| IC1709, IC1710 | TD62083APG   |

|                          |           |
|--------------------------|-----------|
| Q1705-Q1708, Q1721-Q1724 | 2SB1188   |
| Q1701-Q1704, Q1709-Q1720 | DTC143EUA |

|                          |                  |
|--------------------------|------------------|
| D1701-D1710, D1796-D1829 | 1SS355           |
| D1735, D1788-D1795       | SLI-343URCW(RST) |
| D1723-D1734, D1772-D1787 | SLI-343YCW(RST)  |

|             |                  |
|-------------|------------------|
| D1719-D1722 | SLR-343BBT(HJKL) |
| D1711-D1714 | SPR-325MWW       |
| D1736-D1771 | TLGE68TG(NP)     |

**SWITCHES AND RELAYS**

|             |         |
|-------------|---------|
| S1707-S1718 | DSG1079 |
| S1702       | DSH1057 |
| S1719-S1722 | DSH1058 |
| S1701       | DSK1026 |
| S1703-S1706 | DSK1033 |

**CAPACITORS**

|                          |              |
|--------------------------|--------------|
| C1741-C1743              | CEHAT101M16  |
| C1737, C1739, C1740      | CKSRYB103K50 |
| C1701-C1736, C1747-C1755 | CKSRYB104K25 |

**RESISTORS**

|                                      |         |
|--------------------------------------|---------|
| VR1703-VR1707, VR1709-VR1711         | DCS1065 |
| VR1713-VR1715, VR1717-VR1719, VR1721 | DCS1065 |
| VR1701, VR1702                       | DCS1072 |
| VR1722                               | DCS1086 |
| VR1708, VR1712, VR1716, VR1720       | DCS1095 |

|                 |             |
|-----------------|-------------|
| Other Resistors | RS1/16S###J |
|-----------------|-------------|

**OTHERS**

|                                 |            |
|---------------------------------|------------|
| CN1710 FFC BOTTOM CONNECTOR 27P | 52492-2720 |
| CN1711 FFC CONNECTOR 30P        | 52492-3020 |
| CN1709 KR CONNECTOR 3P          | B3B-PH-K   |
| CN1705, CN1707 KR CONNECTOR     | B4B-PH-K   |
| CN1706, CN1708 KR CONNECTOR     | B4B-PH-K-Y |

|                          |         |
|--------------------------|---------|
| CN1701 10P FFC CONNECTOR | DKN1454 |
| CN1702 30P FFC CONNECTOR | DKN1455 |
| CN1703 25P FFC CONNECTOR | DKN1456 |
| CN1704 CONNECTOR         | DKP3684 |

**D 4/4 TRIM1 ASSY****CAPACITORS**

|      |              |
|------|--------------|
| C491 | CKSRYB104K50 |
|------|--------------|

**RESISTORS**

|       |         |
|-------|---------|
| VR491 | DCS1089 |
|-------|---------|

**OTHERS**

|                  |         |
|------------------|---------|
| CN491 11P SOCKET | XKP3076 |
|------------------|---------|

**D 3/4 TRIM2 ASSY****CAPACITORS**

|      |              |
|------|--------------|
| C591 | CKSRYB104K50 |
|------|--------------|

**RESISTORS**

|       |         |
|-------|---------|
| VR591 | DCS1089 |
|-------|---------|

| 5                                                                                                                                                                                                                                                    | 6                                                                                                                                                                              |
|------------------------------------------------------------------------------------------------------------------------------------------------------------------------------------------------------------------------------------------------------|--------------------------------------------------------------------------------------------------------------------------------------------------------------------------------|
| Mark No. Description                                                                                                                                                                                                                                 | Part No.                                                                                                                                                                       |
| <b>OTHERS</b><br>CN591 11P SOCKET                                                                                                                                                                                                                    | XKP3076                                                                                                                                                                        |
| <b>D 2/4 TRIM3 ASSY</b><br><b>CAPACITORS</b><br>C691                                                                                                                                                                                                 | CKSRYB104K50                                                                                                                                                                   |
| <b>RESISTORS</b><br>VR691                                                                                                                                                                                                                            | DCS1089                                                                                                                                                                        |
| <b>OTHERS</b><br>CN691 11P SOCKET                                                                                                                                                                                                                    | XKP3076                                                                                                                                                                        |
| <b>D 1/4 TRIM4 ASSY</b><br><b>CAPACITORS</b><br>C791                                                                                                                                                                                                 | CKSRYB104K50                                                                                                                                                                   |
| <b>RESISTORS</b><br>VR791                                                                                                                                                                                                                            | DCS1089                                                                                                                                                                        |
| <b>OTHERS</b><br>CN791 11P SOCKET                                                                                                                                                                                                                    | XKP3076                                                                                                                                                                        |
| <b>E MIC2 ASSY</b><br><b>SEMICONDUCTORS</b><br>D1                                                                                                                                                                                                    | UDZS5R6(B)                                                                                                                                                                     |
| <b>CAPACITORS</b><br>C2<br>C1                                                                                                                                                                                                                        | CKSRYB103K50<br>CKSRYB472K50                                                                                                                                                   |
| <b>OTHERS</b><br>0 4P CABLE HOLDER<br>JA1501 MIC JACK<br>EARTH PLATE (MIC)                                                                                                                                                                           | 51048-0400<br>DKB1076<br>DNH2735                                                                                                                                               |
| <b>F PANEL2 ASSY</b><br><b>SEMICONDUCTORS</b><br>IC2102<br>IC2101<br>Q2105-Q2108<br>Q2101-Q2104<br>D2141-D2163<br><br>D2115, D2116, D2130, D2131<br>D2111-D2114, D2126-D2129<br>D2133-D2138<br>D2132, D2139<br>D2102-D2110, D2117-D2125<br><br>D2101 | NJM2903M<br>TC74HC4051AF<br>2SB1188<br>DTC143EUA<br>1SS355<br><br>SLI-343URCW(RST)<br>SLI-343YCW(RST)<br>SLI-343YCW(RST)<br>SLR-343EBT(KLMN)<br>TLGE68TG(NP)<br><br>UDZS2R0(B) |
| <b>SWITCHES AND RELAYS</b><br>S2101-S2104, S2106-S2109                                                                                                                                                                                               | DSG1079                                                                                                                                                                        |

| 7                                                                                                                                                                                   | 8                                                                                                              |
|-------------------------------------------------------------------------------------------------------------------------------------------------------------------------------------|----------------------------------------------------------------------------------------------------------------|
| Mark No. Description                                                                                                                                                                | Part No.                                                                                                       |
| S2113, S2114<br>S2105<br>S2110<br>S2111, S2112                                                                                                                                      | DSH1058<br>DSH1066<br>DSX1064<br>DSX1068                                                                       |
| <b>CAPACITORS</b><br>C2112, C2113, C2115, C2116<br>C2114<br>C2104, C2123, C2124, C2127, C2128<br>C2132<br>C2101-C2103, C2105-C2107<br><br>C2117, C2118, C2125, C2126<br>C2129-C2131 | CEHAT101M10<br>CEHAT470M50<br>CKSRYB103K50<br>CKSRYB103K50<br>CKSRYB104K25<br><br>CKSRYB104K25<br>CKSRYB104K25 |
| <b>RESISTORS</b><br>R2108, R2109<br>VR2101, VR2104<br>VR2102, VR2103<br>Other Resistors                                                                                             | RS1/8S100J<br>DCS1065<br>DCS1086<br>RS1/16S###J                                                                |
| <b>OTHERS</b><br>CN2101 FFC BOTTOM CONNECTOR<br>CN2102 FFC CONNECTOR 30P<br>V2101 FL INDICATOR TUBE<br>0 FL HOLDER                                                                  | 52492-2720<br>52492-3020<br>DEL1061<br>DNF1732                                                                 |
| <b>G 1/4 CHFD1 ASSY</b><br><b>RESISTORS</b><br>VR206                                                                                                                                | DCV1020                                                                                                        |
| <b>OTHERS</b><br>CN2601 KR CONNECTOR                                                                                                                                                | S4B-PH-K                                                                                                       |
| <b>G 2/4 CHFD2 ASSY</b><br><b>RESISTORS</b><br>VR205                                                                                                                                | DCV1020                                                                                                        |
| <b>OTHERS</b><br>CN2602 KR CONNECTOR                                                                                                                                                | S4B-PH-K-Y                                                                                                     |
| <b>G 3/4 CHFD3 ASSY</b><br><b>RESISTORS</b><br>VR203                                                                                                                                | DCV1020                                                                                                        |
| <b>OTHERS</b><br>CN2603 KR CONNECTOR                                                                                                                                                | S4B-PH-K                                                                                                       |
| <b>G 4/4 CHFD4 ASSY</b><br><b>RESISTORS</b><br>VR204                                                                                                                                | DCV1020                                                                                                        |
| <b>OTHERS</b><br>CN2604 KR CONNECTOR                                                                                                                                                | S4B-PH-K-Y                                                                                                     |
| <b>H CRSFD ASSY</b><br><b>RESISTORS</b><br>VR202                                                                                                                                    | DCV1006                                                                                                        |

**Mark No. Description****Part No.****Mark No. Description****Part No.****OTHERS**

CN2608 KR CONNECTOR

S3B-PH-K

C150-C152, C158-C161  
C165-C168, C19, C220  
C186-C189, C190, C191, C252  
C100-C102, C107, C113, C114  
C197-C199, C203, C247CKSRYB103K50  
CKSRYB103K50  
CKSRYB103K50  
CKSRYB104K16  
CKSRYB104K16**I DSP ASSY  
SEMICONDUCTORS**

IC22

D610A003BPYP225

△IC40

DEK1086

△IC41

DEK1094

△IC42, IC44, IC48

DEK1096

△IC43

DEK1098

C85-C99  
C11, C121-C126, C128-C134  
C148, C149, C15, C154-C157  
C16, C17, C175-C178, C18  
C180, C181, C183, C192, C193CKSRYB104K16  
CKSRYB104K25  
CKSRYB104K25  
CKSRYB104K25  
CKSRYB104K25C195, C20, C200, C201  
C204-C209, C21, C210-C218  
C22, C221, C23, C234-C239  
C24, C240-C246, C26-C29  
C3, C30-C39, C4CKSRYB104K25  
CKSRYB104K25  
CKSRYB104K25  
CKSRYB104K25  
CKSRYB104K25C40-C49, C5, C50-C79  
C8, C80-C83  
C108  
C109  
C169-C173CKSRYB104K25  
CKSRYB104K25  
CKSRYB105K10  
CKSRYB332K50  
CKSRYB471K50

C104, C105, C110

CKSYB106K10

**RESISTORS**R186  
R64  
R70  
R69  
R65RS1/10S0R0J  
RS1/16S1502F  
RS1/16S2202F  
RS1/16S5603F  
RS1/16S7502FR254, R255  
R271, R365-R368  
Other ResistorsRS1/4SA681J  
RS1/8S0R0J  
RS1/16S####J**OTHERS**CN14 PH CONNECTOR 6P(SMT)  
X1 CRYSTAL RESONATOR  
CN8  
CN15, CN4 10P FFC CONNECTOR  
CN11, CN3 12P FFC CONNECTORAKM1292  
ASS7025  
DKN1449  
VKN1414  
VKN1416CN12 16P FFC CONNECTOR  
CN6, CN7 25P FFC CONNECTOR  
CN5 30P FFC CONNECTOR  
CN1, CN2 31P FFC CONNECTOR  
KN1-KN4 EARTH METAL FITTINGVKN1420  
VKN1429  
VKN1434  
VKN1435  
VNF1109**J OUTPUT ASSY  
SEMICONDUCTORS**IC904  
IC918  
△IC1167-IC1169  
IC908, IC909  
IC905-IC907, IC911, IC912AK4393VF  
AK5381VT  
DEK1096  
NJM2114D  
NJM4580MDIC916, IC917  
IC913, IC914  
IC910, IC915  
IC901-IC903  
Q901, Q902NJM4580MD  
NJM5532DD  
PCM1742KE  
TC7SH08FUS1  
2SA1576AQ903, Q922, Q923  
Q906-Q921  
Q924  
Q904, Q9052SC2412K  
2SC3326  
DTA143EUA  
DTC124EUA**COILS AND FILTERS**L1  
L2  
L3  
L4  
L5ATH7011  
CTH1254  
DTL1123  
RTF1189  
CTF1346L10, L6- L9  
F7, F9CTF1357  
VTF1093**CAPACITORS**C2  
C1  
C117  
C248, C249  
C118, C153, C174, C179, C182CCSRCH150J50  
CCSRCH180J50  
CCSRCH331J50  
CEVW100M16  
CEVW100M50C194, C202, C7, C84, C9  
C103, C106, C111, C112  
C115, C116, C135-C144, C196  
C14  
C10, C12, C120, C127, C13CEVW100M50  
CEVW101M10  
CEVW101M10  
CEVW101M16  
CKSRYB103K50



| Mark No.              | Description | Part No.  |
|-----------------------|-------------|-----------|
| D901–D912, D918, D919 |             | 1SS355    |
| D914–D917             |             | RB501V-40 |

### **COILS AND FILTERS**

|           |         |
|-----------|---------|
| F101–F104 | VTF1093 |
|-----------|---------|

### **SWITCHES AND RELAYS**

|              |         |
|--------------|---------|
| S902         | DSG1083 |
| S901         | VSH1025 |
| RY901, RY902 | VSR1008 |

### **CAPACITORS**

|                              |              |
|------------------------------|--------------|
| C1033, C1035                 | CCSRCH101J50 |
| C1036, C1056                 | CCSRCH102J50 |
| C974, C976, C978, C979, C991 | CCSRCH151J50 |
| C993, C994, C997             | CCSRCH151J50 |
| C934, C936, C938, C939       | CCSRCH220J50 |

|                              |              |
|------------------------------|--------------|
| C917, C918, C921, C924, C925 | CCSRCH221J50 |
| C927, C930, C958             | CCSRCH221J50 |
| C940, C942–C944, C946, C947  | CCSRCH820J50 |
| C949, C950                   | CCSRCH820J50 |
| C1015, C1022, C1034, C1037   | CEANP100M16  |

|                                   |             |
|-----------------------------------|-------------|
| C1008, C1028, C1040, C1043        | CEANP100M25 |
| C1013, C1024                      | CEAT100M50  |
| C913                              | CEAT101M16  |
| C1012, C1026, C1046, C1051, C1052 | CEAT101M25  |
| C1073-C1076, C969, C988           | CEAT101M25  |

|                        |              |
|------------------------|--------------|
| C1004, C1007, C1049    | CEAT470M10   |
| C1029, C1044, C1061    | CEAT471M10   |
| C964, C965, C970, C990 | CEHANP220M16 |
| C954                   | CEHANP220M25 |
| C975, C980, C992, C996 | CEHANP470M25 |

|             |             |
|-------------|-------------|
| C1019, C904 | CEHAT100M50 |
| C1069–C1072 | CEHAT101M25 |
| C912        | CEHAT221M10 |
| C1057, C961 | CEHAT470M16 |
| C963        | CEHAT471M16 |

|                                  |              |
|----------------------------------|--------------|
| C1005, C1006, C1050, C1062, C901 | CKSRYB103K50 |
| C1003, C1038, C1039, C1060, C903 | CKSRYB104K25 |
| C906, C908, C910, C914, C915     | CKSRYB104K25 |
| C919, C923, C928, C933           | CKSRYB104K25 |
| C972, C973                       | CKSRYB104K25 |

|                                  |              |
|----------------------------------|--------------|
| C1011, C1025, C1030, C1045       | CKSRYB104K50 |
| C1047, C1048, C1053, C1054, C935 | CKSRYB104K50 |
| C937, C941, C945, C948, C951     | CKSRYB104K50 |
| C959, C960, C962, C968, C977     | CKSRYB104K50 |
| C981, C989, C995, C998           | CKSRYB104K50 |

|                        |              |
|------------------------|--------------|
| C1017, C1020           | CKSRYB222K50 |
| C1016, C1021           | CKSRYB392K50 |
| C1077–C1080            | CKSRYB473K50 |
| C1014, C1023           | CKSRYB682K50 |
| C916, C926, C931, C957 | CKSRYB821K50 |

|                          |            |
|--------------------------|------------|
| C1001, C1002, C952, C953 | CQMA103J50 |
| C955, C956, C984, C985   | CQMA103J50 |
| C1058, C966              | CQMA272J50 |
| C1009, C1055, C967, C987 | CQMA392J50 |
| C1010, C1027             | CQMA472J50 |

|                         |            |
|-------------------------|------------|
| C1000, C982, C983, C999 | CQMA682J50 |
|-------------------------|------------|

| Mark No.               | Description | Part No. |
|------------------------|-------------|----------|
| C920, C922, C929, C932 |             | DCH1255  |

### **RESISTORS**

|                                   |               |
|-----------------------------------|---------------|
| R1058, R1059, R1087, R1088        | RD1/2VM101J   |
| R979, R986, R993, R998            | RD1/2VM181J   |
| R1053, R1057, R1082, R1143        | RN1/16SC68R0D |
| R1040, R1041, R1046, R1047, R1070 | RN1/16SE1002D |
| R1072, R1078, R1079, R976, R983   | RN1/16SE1002D |

|                              |               |
|------------------------------|---------------|
| R992, R997                   | RN1/16SE1002D |
| R981, R988, R995, R999       | RN1/16SE1101D |
| R919, R923, R928, R932, R935 | RN1/16SE1102D |
| R938, R944, R948             | RN1/16SE1102D |
| R1109, R1110                 | RN1/16SE2200D |

|                                   |               |
|-----------------------------------|---------------|
| R1038, R1042, R1043, R1045, R1048 | RN1/16SE2202D |
| R1068, R1071, R1073, R1075, R1077 | RN1/16SE2202D |
| R1044, R1049, R1074, R1076, R1104 | RN1/16SE2700D |
| R1114                             | RN1/16SE2700D |
| R1107, R1112                      | RN1/16SE3300D |

|                               |               |
|-------------------------------|---------------|
| R1039, R1069, R1125, R1127    | RN1/16SE3602D |
| R1002, R1003, R977, R978      | RN1/16SE3901D |
| R984, R985, R990, R991        | RN1/16SE3901D |
| R1000, R982, R989, R996       | RN1/16SE4701D |
| R1021, R1022, R918, R920–R922 | RN1/16SE5601D |

|                              |               |
|------------------------------|---------------|
| R927, R929, R934, R936, R937 | RN1/16SE5601D |
| R939, R943, R945–R947        | RN1/16SE5601D |
| R1001, R980, R987, R994      | RN1/16SE9101D |
| Other Resistors              | RS1/16S###J   |

### **OTHERS**

|                              |            |
|------------------------------|------------|
| CN902 7P FFC CONNECTOR       | 52045-0745 |
| CN903 5P TOP POST            | B5B-EH-Y   |
| CN904 6P TOP POST            | B6B-EH     |
| JA901, JA902 CANON CONNECTOR | DKB1077    |
| JA907 HEADPHONE JACK         | DKB1078    |

|                             |         |
|-----------------------------|---------|
| JA903, JA904 HEADPHONE JACK | DKN1249 |
| JA905, JA906 HEADPHONE JACK | DKN1452 |
| JA908 HEADPHONE JACK        | DKN1452 |
| ROTARY SW STAY              | DNH2646 |
| CN901 25P FFC CONNECTOR     | VKN1429 |

|                                |         |
|--------------------------------|---------|
| KN901, KN902 WRAPPING TERMINAL | VNF1084 |
|--------------------------------|---------|

## **K DIGIC ASSY**

### **SEMICONDUCTORS**

|                                |             |
|--------------------------------|-------------|
| IC1203, IC1209, IC1215, IC1218 | AD1895AYRS  |
| IC1202, IC1208, IC1214, IC1217 | AK4117VF    |
| IC1219                         | TC7S04FU    |
| IC1221, IC1223, IC1225         | TC7SH08FUS1 |
| IC1201, IC1207, IC1213, IC1216 | TC7WU04FU   |

|              |           |
|--------------|-----------|
| Q1201        | DTC124EUA |
| D1206, D1207 | 1SS355    |
| D1205        | NNCD6.2MF |

### **SWITCHES AND RELAYS**

|       |         |
|-------|---------|
| S1201 | VSH1025 |
|-------|---------|

### **CAPACITORS**

|                            |              |
|----------------------------|--------------|
| C1204, C1222, C1240, C1255 | CCSRCH220J50 |
|----------------------------|--------------|

**Mark No. Description****Part No.**

C1202, C1220, C1238, C1253  
C1206, C1224, C1242, C1257  
C1210, C1211, C1216, C1218  
C1228, C1229, C1234, C1236

CCSRCH221J50  
CCSRCH470J50  
CEJQ100M50  
CEJQ100M50

C1246, C1247, C1249, C1251  
C1261, C1262, C1264, C1266  
C1269, C1270  
C1203, C1221, C1239, C1254, C1267  
C1271-C1278

CEJQ100M50  
CEJQ100M50  
CEJQ100M50  
CKSRYB103K50  
CKSRYB103K50

C1205, C1208, C1209, C1215, C1217  
C1223, C1226, C1227, C1233, C1235  
C1241, C1244, C1245, C1248, C1250  
C1256, C1259, C1260, C1263, C1265  
C1268, C1282, C1286, C1290-C1294

CKSRYB104K25  
CKSRYB104K25  
CKSRYB104K25  
CKSRYB104K25  
CKSRYB104K25

C1213  
C1201, C1219, C1237, C1252

CKSRYB104K50  
CQMA221J50

**RESISTORS**

R1239, R1240  
R1204, R1213, R1222, R1231  
R1263-R1265  
Other Resistors

RD1/2VM221J  
RD1/2VM820J  
RS1/10S0R0J  
RS1/16S###J

**OTHERS**

CN1204 6P FFC CONNECTOR 52044-0645  
CN1201 7P FFC CONNECTOR 52045-0745  
CN1203 12P FFC CONNECTOR 52045-1245  
CN1202 24P FFC CONNECTOR 52045-2445  
JA1201 DIN CONNECTOR 5P DKN1188

CN1205 31P FFC CONNECTOR DKN1451  
SHIELD CASE (MIDI) DNH2736  
KN1203 SCREW PLATE VNE1948  
KN1201 WRAPPING TERMINAL VNF1084  
KN1202 WRAPPING TERMINAL VNF1084

**L DIGIA ASSY****OTHERS**

CN1401 FFC BOTTOM CONNECTOR 7P 52492-0720  
JA1401, JA1402 2P PIN JACK DKB1079

**M DIGIB ASSY  
SEMICONDUCTORS**

IC1307 AD1895AYRS  
IC1308 AK4114VQ  
IC1303 TC74HCU04AF  
IC1312 TC7SET08FUS1  
IC1309-IC1311, IC1313 TC7SH08FUS1

**COILS AND FILTERS**

F1301-F1304 DTF1069  
L1304 PTL1003  
F1305, F1306 VTF1091

**CAPACITORS**

C1330, C1332, C1334, C1347 CEAT100M50  
C1314 CEAT101M16  
C1318 CEAT470M16  
C1311, C1312 CKSRYB103K50

**Mark No. Description****Part No.**

C1313, C1329, C1331, C1333, C1335 CKSRYB104K25

C1340, C1342, C1344-C1346, C1348 CKSRYB104K25  
C1350 CKSRYB104K25  
C1304 CKSRYB474K10

**RESISTORS**

R1301 RN1/16SE1802D  
Other Resistors RS1/16S###J

**OTHERS**

CN1301 24P FFC CONNECTOR 52045-2445  
CN1302 10P FF CONNECTOR DKN1454  
JA1303 1P JACK BOARD PKB1033  
KN1301 WRAPPING TERMINAL VNF1084  
KN1302 WRAPPING TERMINAL VNF1084

**N SLSW ASSY  
SWITCHES AND RELAYS**

S2401-S2404 VSH1025

**CAPACITORS**

C2401-C2404 CKSRYB103K50

**RESISTORS**

Other Resistors RS1/16S###J

**OTHERS**

CN2401 6P FFC CONNECTOR 52044-0645

**O HPAMP ASSY  
SEMICONDUCTORS**

⚠ IC2505, IC2506 DEK1086  
⚠ IC2504 DEK1094  
IC2503 NJM2068M  
IC2502 NJM4558MD  
IC2501 PCM1742KE

IC2507 TA78L12F  
Q2503, Q2504 2SB1238X  
Q2509 2SC2412K  
Q2505, Q2507 2SD1859X  
D2501-D2504, D2506-D2512 1SS355

D2513 UDZS3R3(B)

**SWITCHES AND RELAYS**

RY2501 VSR1008

**CAPACITORS**

C2510, C2515 CCSRCH220J50  
C2540, C2541 CCSRCH471J50  
C2501, C2514 CCSRCH820J50  
C2519-C2522, C2526, C2534, C2535 CEAT100M50  
C2531, C2533, C2536, C2537 CEAT101M25

C2524, C2528, C2542 CEAT221M25  
C2518, C2523 CEAT2R2M50

| Mark No.                         | Description | Part No.     |
|----------------------------------|-------------|--------------|
| C2532                            |             | CEAT470M25   |
| C2502–C2505, C2508, C2538, C2539 |             | CKSRYB104K25 |
| C2506, C2507, C2509              |             | CKSRYB104K50 |

**RESISTORS**

|                            |  |               |
|----------------------------|--|---------------|
| R2501, R2513, R2515, R2532 |  | RD1/2VM122J   |
| R2518, R2523               |  | RD1/2VM221J   |
| R2504, R2524               |  | RN1/16SE1001D |
| R2509, R2528               |  | RN1/16SE1802D |
| R2516, R2519, R2533, R2535 |  | RS2LMF270J    |
| Other Resistors            |  | RS1/16S###J   |

**OTHERS**

|                          |  |          |
|--------------------------|--|----------|
| CN2501 KR CONNECTOR      |  | B4B-PH-K |
| CN2502 5P TOP POST       |  | B5B-EH   |
| CN2503 16P FFC CONNECTOR |  | DKN1453  |

**P HPJACK ASSY**  
**COILS AND FILTERS**

|           |  |         |
|-----------|--|---------|
| F802–F804 |  | VTF1093 |
|-----------|--|---------|

**CAPACITORS**

|            |  |              |
|------------|--|--------------|
| C809, C810 |  | CKSRYB104K25 |
|------------|--|--------------|

**RESISTORS**

|                 |  |             |
|-----------------|--|-------------|
| Other Resistors |  | RS1/16S###J |
|-----------------|--|-------------|

**OTHERS**

|                     |  |          |
|---------------------|--|----------|
| CN9 KR CONNECTOR    |  | B4B-PH-K |
| JA10 HEADPHONE JACK |  | DKN1281  |

**R ACSW ASSY**  
**SWITCHES AND RELAYS**

|      |  |         |
|------|--|---------|
| ⚠ S1 |  | DSA1031 |
|------|--|---------|

**CAPACITORS**

|      |  |         |
|------|--|---------|
| ⚠ C1 |  | ACG7030 |
|------|--|---------|

**OTHERS**

|                             |  |            |
|-----------------------------|--|------------|
| ⚠ CN91 AMP U-P CONNECTOR 2P |  | 2-178496-4 |
| ⚠ J0 CONNECTOR ASSY         |  | DKP3768    |

## 6. ADJUSTMENT

- There is no information to be shown in this chapter.

# 7. GENERAL INFORMATION

## 7.1 DIAGNOSIS

### 7.1.1 TEST MODE

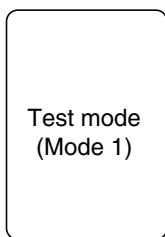
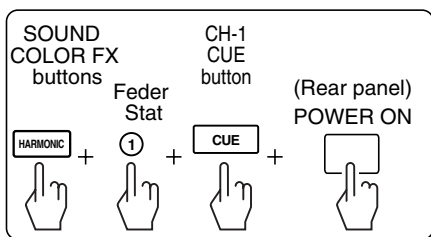
#### 1. Description of Test Modes

The following eight test modes are provided for this unit:

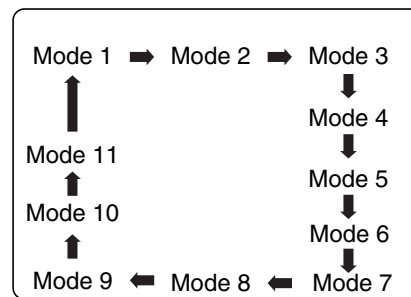
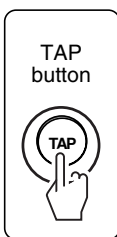
- ① **mode 1** : For confirmation of the software version
- ② **mode 2** : All LEDs and FL display "OFF" MODE. "ALL CLR"
- ③ **mode 3** : All LEDs and FL display "ON" MODE. "ALL SET"
- ④ **mode 4** : KEY operating TEST. (KEY TEST)
- ⑤ **mode 5** : SELECT SW Operating Test. (SW TEST)
- ⑥ **mode 6** : Volume Test 1. (VOLTEST1)
- ⑦ **mode 7** : Volume Test 2. (VOLTEST2)
- ⑧ **mode 8** : Volume Test 3. (VOLTEST 3)
- ⑨ **mode 9** : Volume Test 4. (VOLTEST 4)
- ⑩ **mode 8** : Fader Test . (FDRTEST)
- ⑪ **mode 9** : Meter LED Test . (METERTEST)

#### 2. Test Mode

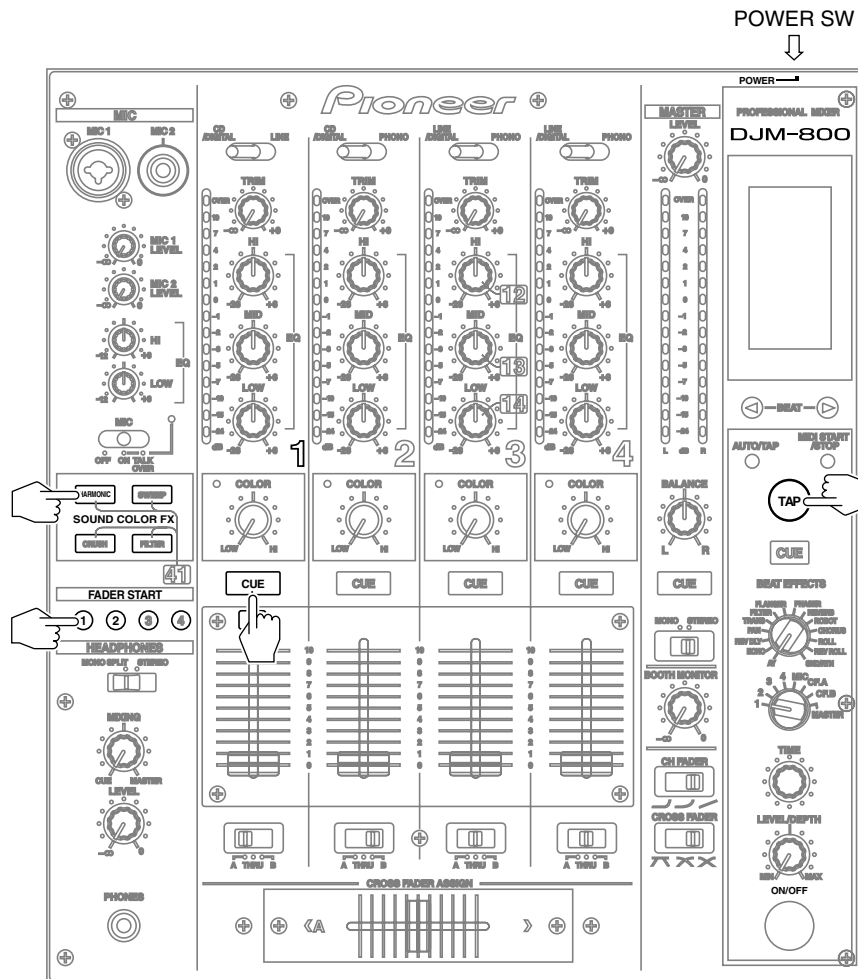
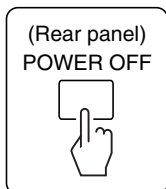
##### Test mode : ON



Cyclic operation



##### Test mode : CANCEL



## How to start the Test Mode.

To enter test mode, turn the Power button while pressing all of the HARMONIC, FADER START CH1, CUE CH1 buttons.

There are 11 modes in this Test Mode.

If the TAP button is pressed, Mode1 ~ 11 can be selected by selector switch.

When set up mode is started, Mode 1 is selected automatically.

Once Test Mode starts, it keeps the test mode until turning the Power off.

## Test mode Contents.

### ① Mode 1 : Confirmation of software version.

Mode that confirms version of microcomputer, DSP (program), DSP (data), and FPGA.

It is displayed a version of firmware by FL display.

For example  
 Microcomputer : 1.000  
 DSP (program) : 1.000  
 DSP (data) : 005  
 FPGA : 1.0



M 1.000  
 D 1.000  
  
 005  
 F 1.0

### ② Mode 2 : ALL LED & FL display "OFF" MODE. "ALL CLR"

It displays "ALL CLR" on the FL display in the first 2 seconds.

### ③ Mode 3 : ALL LED & FL display "ON" MODE. "ALL SET"

It displays "ALL SET" on the FL display in the first 2 seconds.

#### ④ Mode 4 : KEY OPERATING TEST. "KEY TEST"

- While the self-illumination buttons are being pressed, LEDs lights.
- The abbreviated name of selected key is displayed on the FL display.

#### LED TABLE

| Buttons         | Lighting LED        | FL Display | Remark                                    |
|-----------------|---------------------|------------|-------------------------------------------|
| HARMONIC        | HARMONIC LED        | MIX_A      |                                           |
| SWEEP           | SWEEP LED           | MIX_B      |                                           |
| CRUSH           | CRUSH LED           | MIX_C      |                                           |
| FILTER          | FILTER LED          | MIX_D      |                                           |
| FADER START CH1 | FADER START CH1 LED | FS_CH1     |                                           |
| FADER START CH2 | FADER START CH2 LED | FS_CH2     |                                           |
| FADER START CH3 | FADER START CH3 LED | FS_CH3     |                                           |
| FADER START CH4 | FADER START CH4 LED | FS_CH4     |                                           |
| CUE CH1         | CUE CH1 LED         | CUE_CH1    |                                           |
| CUE CH2         | CUE CH2 LED         | CUE_CH2    |                                           |
| CUE CH3         | CUE CH3 LED         | CUE_CH3    |                                           |
| CUE CH4         | CUE CH4 LED         | CUE_CH4    |                                           |
| CUE MASTER      | CUE MASTER LED      | CUE_MAS    |                                           |
| CUE EFFECT      | CUE EFFECT LED      | CUE_EFF    |                                           |
| BEAT DOWN( ◀ )  | COLOR CH1 LED       | B_DOWN     | Red and green LED light at the same time. |
| BEAT UP ( ▶ )   | COLOR CH2 LED       | B_UP       |                                           |
| AUTO/TAP        | COLOR CH3 LED       | AUTO       |                                           |
| MIDI START/STOP | COLOR CH4 LED       | MIDI       |                                           |
| EFFECT ON/OFF   | EFFECT ON/OFF LED   | EFCT_ON    |                                           |

#### ⑤ Mode 5 : SELECT SW Operating Test. "SW TEST"

- The selected SW can be confirmed by LEDs lights.

| Swich                      | Lighting LED  | Remark                                                                  |
|----------------------------|---------------|-------------------------------------------------------------------------|
| CD/DIGITAL SELECT SW CH1   | COLOR CH1 LED | "CD" is selected : Lights Red<br>"DIGITAL" is selected : Lights Green   |
| CD/DIGITAL SELECT SW CH2   | COLOR CH2 LED | "CD" is selected : Lights Red<br>"DIGITAL" is selected : Lights Green   |
| LINE/DIGITAL SELECT SW CH3 | COLOR CH3 LED | "LINE" is selected : Lights Red<br>"DIGITAL" is selected : Lights Green |
| LINE/DIGITAL SELECT SW CH4 | COLOR CH4 LED | "LINE" is selected : Lights Red<br>"DIGITAL" is selected : Lights Green |
| MIC                        | : OFF         | -                                                                       |
|                            | : ON          | MIC LED                                                                 |
|                            | : TALK OVER   | MIC LED & CH1 Level Meter -24dB LED                                     |
| Headphone<br>MONO/STEREO   | : MONO SPLIT  | CH2 Level Meter LED                                                     |
|                            | : STEREO      | -24dB<br>-15dB                                                          |

⑤ Mode 5 : SELECT SW Operating Test. "SW TEST"

| Switch                              |              | Lighting LED                |       | Remark                               |
|-------------------------------------|--------------|-----------------------------|-------|--------------------------------------|
| CH FADER<br>Assign CH1              | : Assign A   | CH1 Level Meter LED         | 7dB   |                                      |
|                                     | : THRU       |                             | 10dB  |                                      |
|                                     | : Assign B   |                             | OVER  |                                      |
| CH FADER<br>Assign CH2              | : Assign A   | CH2 Level Meter LED         | 7dB   |                                      |
|                                     | : THRU       |                             | 10dB  |                                      |
|                                     | : Assign B   |                             | OVER  |                                      |
| CH FADER<br>Assign CH3              | : Assign A   | CH3 Level Meter LED         | 7dB   |                                      |
|                                     | : THRU       |                             | 10dB  |                                      |
|                                     | : Assign B   |                             | OVER  |                                      |
| CH FADER<br>Assign CH4              | : Assign A   | CH4 Level Meter LED         | 7dB   |                                      |
|                                     | : THRU       |                             | 10dB  |                                      |
|                                     | : Assign B   |                             | OVER  |                                      |
| CD/DIGITAL LINE<br>Select SW CH1    | : CD DIGITAL | -                           |       |                                      |
|                                     | : LINE       | CH1 Level Meter LED         | 0dB   |                                      |
| CD/DIGITAL PHONO<br>Select SW CH2   | : CD DIGITAL | -                           |       |                                      |
|                                     | : PHONO      | CH2 Level Meter LED         | 0dB   |                                      |
| LINE/DIGITAL PHONO<br>Select SW CH3 | : CD DIGITAL | -                           |       |                                      |
|                                     | : PHONO      | CH3 Level Meter LED         | 0dB   |                                      |
| LINE/DIGITAL PHONO<br>Select SW CH4 | : CD DIGITAL | -                           |       |                                      |
|                                     | : PHONO      | CH4 Level Meter LED         | 0dB   |                                      |
| CH FADER<br>CURVE select SW         | : Left       | CH4 Level Meter LED         | -24dB |                                      |
|                                     | : Center     |                             | -15dB |                                      |
|                                     | : Right      |                             | -10dB |                                      |
| CROSS FADER<br>CURVE select SW      | : Left       | CH3 Level Meter LED         | -24dB |                                      |
|                                     | : Center     |                             | -15dB |                                      |
|                                     | : Right      |                             | -10dB |                                      |
| Effect Select<br>SW                 | : DELAY      | Master Level Meter R CH LED | -24dB |                                      |
|                                     | : ECHO       |                             | -15dB |                                      |
|                                     | : REV DLY    |                             | -10dB |                                      |
|                                     | : PAN        |                             | -7dB  |                                      |
|                                     | : TRANS      |                             | -5dB  |                                      |
|                                     | : FILTER     |                             | -3dB  |                                      |
|                                     | : FLANGER    |                             | -2dB  |                                      |
|                                     | : PHASER     |                             | -1dB  |                                      |
|                                     | : REVERB     |                             | 0dB   |                                      |
|                                     | : ROBOT      |                             | 1dB   |                                      |
|                                     | : CHORUS     |                             | 2dB   |                                      |
|                                     | : ROLL       |                             | 4dB   |                                      |
|                                     | : REV ROLL   |                             | 7dB   |                                      |
|                                     | : SND/RTN    |                             | 10dB  |                                      |
| CH Select<br>SW                     | 1            | Master Level Meter L CH LED | -24dB |                                      |
|                                     | 2            |                             | -15dB |                                      |
|                                     | 3            |                             | -10dB |                                      |
|                                     | 4            |                             | -7dB  |                                      |
|                                     | MIC          |                             | -5dB  |                                      |
|                                     | CF.A         |                             | -3dB  |                                      |
|                                     | CF.B         |                             | -2dB  |                                      |
|                                     | MASTER       |                             | -1dB  |                                      |
| MONO STEREO<br>Select SW            |              | Master Level Meter L CH LED | 10dB  | MONO : Lights off<br>STEREO : Lights |
| MIC SIGNAL Select sw                |              | Master Level Meter L CH LED | OVER  | ADD : Lights off<br>CUT : Lights     |

A ⑤ Mode 5 :SELECT SW Operating Test. " SW TEST "

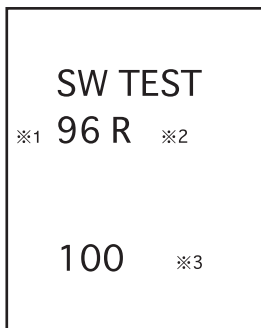
• The status is displayed on the FL Display about the following.

| Swich                               | Position of FL Display | FL Display                                                             |
|-------------------------------------|------------------------|------------------------------------------------------------------------|
| Digital Out Sampling Rate Select SW | ※1                     | "48k" is selected : Display "48".<br>"96k" is selected : Display "96". |
| RETURN IN                           | ※2                     | When the cable is connected up to L side terminal, it displays as "R". |
| TIME Encoder                        | ※3                     | • Default "0"<br>• Upper limit "100"<br>• Lower limit "-100"           |

B

C

Example



※1. Example of selecting 96k

※3. Example of selecting Upper Limit

D

E

F



## ⑥ Mode 6 : Volume Test 1. " VOLTEST1 "

- This mode displays a value of volume as shown below on a Level Meter.
  - HI of MIC, HI of CH1, CH2, CH3, CH4
  - MASTER LEVEL

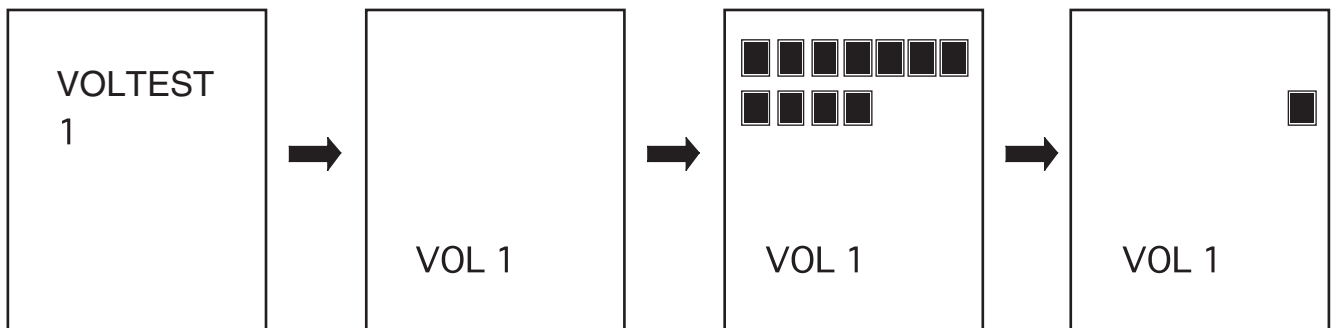
| Volume       | Lighting LED                | Remark                                       |
|--------------|-----------------------------|----------------------------------------------|
| MIC HI       | Master Level Meter L CH LED | "-12" : Lights off<br>"+6" : Full Illuminate |
| CH1 HI       | CH1 Level Meter LED         | "-26" : Lights off<br>"+6" : Full Illuminate |
| CH2 HI       | CH2 Level Meter LED         | "-26" : Lights off<br>"+6" : Full Illuminate |
| CH3 HI       | CH3 Level Meter LED         | "-26" : Lights off<br>"+6" : Full Illuminate |
| CH4 HI       | CH4 Level Meter LED         | "-26" : Lights off<br>"+6" : Full Illuminate |
| MASTER LEVEL | Master Level Meter R CH LED | "-∞" : Lights off<br>"0" : Full Illuminate   |

- This mode displays a value of CH1 TRIM volume in the FL Display.

I will turn on from upper left according to value of TRIM in turn, and only lower berth rightmost edge of effect name display lights it that I finish turning it.

It displays "VOLTEST1" on the FL display in the first 2 seconds.

Then it displays "VOL 1" on the bottom of the FL Display. (in order to let you display TRIM value)



A

⑦ **Mode 7 :Volume Test 2. " VOLTEST2 "**

- This mode displays a value of volume as shown below on a Level Meter.
- LOW of MIC,MID of CH1,CH2,CH3,CH4
- MASTER BARANCE

B

| Volume         | Lighting LED                | Remark                                       |
|----------------|-----------------------------|----------------------------------------------|
| MIC LOW        | Master Level Meter L CH LED | "-12" : Lights off<br>"+6" : Full Illuminate |
| CH1 MID        | CH1 Level Meter LED         | "-26" : Lights off<br>"+6" : Full Illuminate |
| CH2 MID        | CH2 Level Meter LED         | "-26" : Lights off<br>"+6" : Full Illuminate |
| CH3 MID        | CH3 Level Meter LED         | "-26" : Lights off<br>"+6" : Full Illuminate |
| CH4 MID        | CH4 Level Meter LED         | "-26" : Lights off<br>"+6" : Full Illuminate |
| MASTER BARANCE | Master Level Meter R CH LED | "L" : Lights off<br>"R" : Full Illuminate    |

C

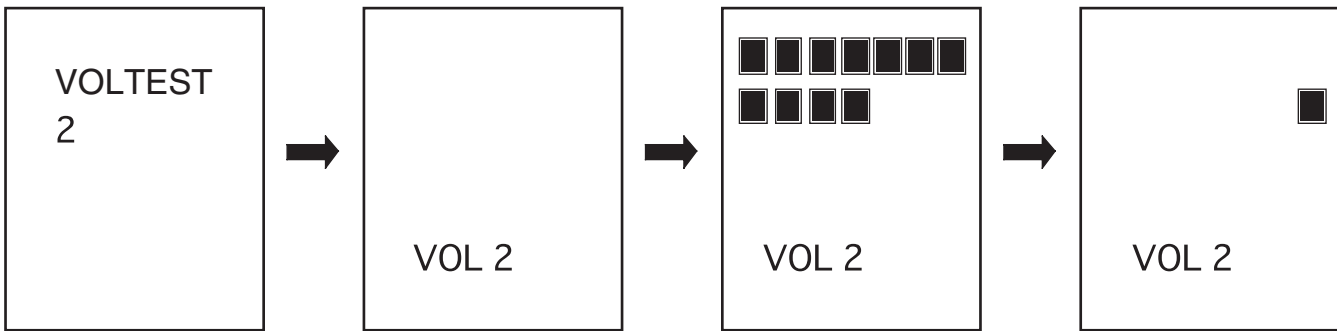
- This mode displays a value of CH 2 TRIM volume in the FL Display.

I will turn on from upper left according to value of TRIM in turn, and only lower berth rightmost edge of effect name display lights it that I finish turning it.

It displays "VOLTEST2" on the FL display in the first 2 seconds.

Then it displays "VOL 2" on the bottom of ths FL Display. (in order to let you display TRIM value)

D



E

F

## ⑧ Mode 8 : Volume Test 3. " VOLTEST "

- This mode displays a value of volume as shown below on a Level Meter.
  - H.P. MIXING,LOW of CH1,CH2,CH3,CH4
  - BOOTH MONITOR

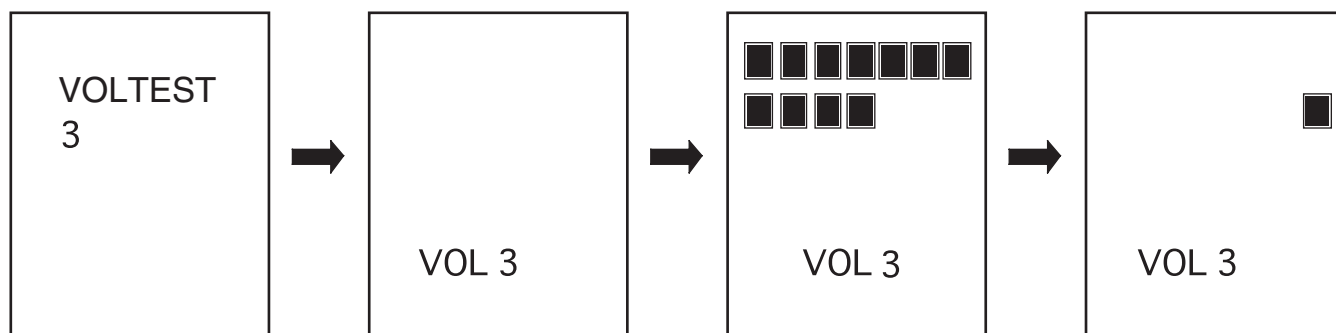
| Volume        | Lighting LED                | Remark                                           |
|---------------|-----------------------------|--------------------------------------------------|
| H.P. MIXING   | Master Level Meter L CH LED | "CUE" : Lights off<br>"MASTER" : Full Illuminate |
| CH1 LOW       | CH1 Level Meter LED         | "-26" : Lights off<br>"+6" : Full Illuminate     |
| CH2 LOW       | CH2 Level Meter LED         | "-26" : Lights off<br>"+6" : Full Illuminate     |
| CH3 LOW       | CH3 Level Meter LED         | "-26" : Lights off<br>"+6" : Full Illuminate     |
| CH4 LOW       | CH4 Level Meter LED         | "-26" : Lights off<br>"+6" : Full Illuminate     |
| BOOTH MONITOR | Master Level Meter R CH LED | "-∞" : Lights off<br>"0" : Full Illuminate       |

- This mode displays a value of CH3 TRIM volume in the FL Display.

I will turn on from upper left according to value of TRIM in turn, and only lower berth rightmost edge of effect name display lights it that I finish turning it.

It displays "VOLTEST3" on the FL display in the first 2 seconds.

Then it displays "VOL 3" on the bottom of ths FL Display.(in order to let you display TRIM value)



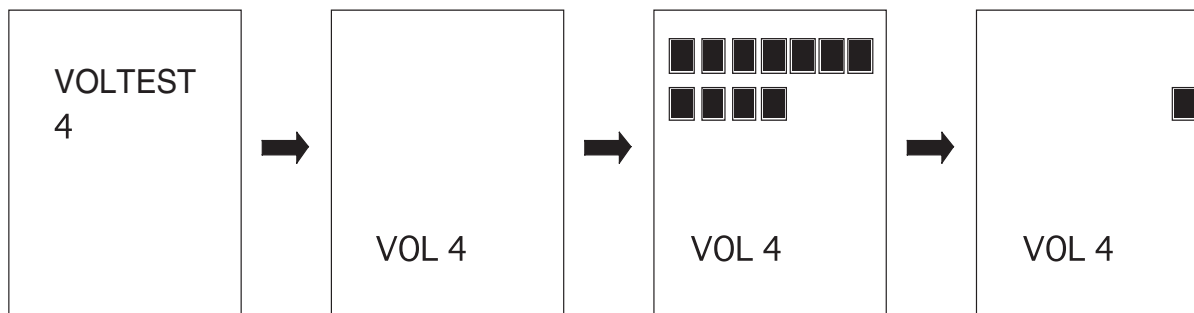
### ⑨ Mode 9 : Volume Test 4. " VOLTEST "

- This mode displays a value of volume as shown below on a Level Meter.
  - H.P. LEVEL, COLOR of CH1, CH2, CH3, CH4
  - LEVEL/DEPTH

| Volume      | Lighting LED                | Remark                                        |
|-------------|-----------------------------|-----------------------------------------------|
| H.P. LEVEL  | Master Level Meter L CH LED | "-• " : Lights off<br>"0" : Full Illuminate   |
| CH1 COLOR   | CH1 Level Meter LED         | "LOW" : Lights off<br>"HI" : Full Illuminate  |
| CH2 COLOR   | CH2 Level Meter LED         | "LOW" : Lights off<br>"HI" : Full Illuminate  |
| CH3 COLOR   | CH3 Level Meter LED         | "LOW" : Lights off<br>"HI" : Full Illuminate  |
| CH4 COLOR   | CH4 Level Meter LED         | "LOW" : Lights off<br>"HI" : Full Illuminate  |
| LEVEL/DEPTH | Master Level Meter R CH LED | "MIN" : Lights off<br>"MAX" : Full Illuminate |

- This mode displays a value of CH4 TRIM volume in the FL Display.
  - I will turn on from upper left according to value of TRIM in turn, and only lower berth rightmost edge of effect name display lights it that I finish turning it.

It displays "VOLTEST4" on the FL display in the first 2 seconds.  
Then it displays "VOL 4" on the bottom of this FL Display. (in order to let you display TRIM value)



### ⑩ Mode 10 : Fader Test. " FDRTEST "

- Mode that confirms a value of each CH Fader and Cross Fader.

| FADER       | Lighting LED                | Remark                                     |
|-------------|-----------------------------|--------------------------------------------|
| CH1 FADER   | CH1 Level Meter LED         | "0" : Lights off<br>"10" : Full Illuminate |
| CH2 FADER   | CH2 Level Meter LED         | "0" : Lights off<br>"10" : Full Illuminate |
| CH3 FADER   | CH3 Level Meter LED         | "0" : Lights off<br>"10" : Full Illuminate |
| CH4 FADER   | CH4 Level Meter LED         | "0" : Lights off<br>"10" : Full Illuminate |
| CROSS FADER | Master Level Meter L CH LED | "A" : Full Illuminate<br>"B" : Lights off  |

### ⑪ Mode 11 : Meter LED Test. " METERTEST "

- Mode that confirms a value of each CH Fader and Cross Fader.
- LED of each CH of Level Meter lights from the bottom one by one when the CUE key is pressed. The default all Lights off.

It is possible to return to all Lights off when pressing it 15 times again after it presses it (LED on lights most) and to repeat from the beginning.

## 7.1.2 REWRITING THE FIRMWARE

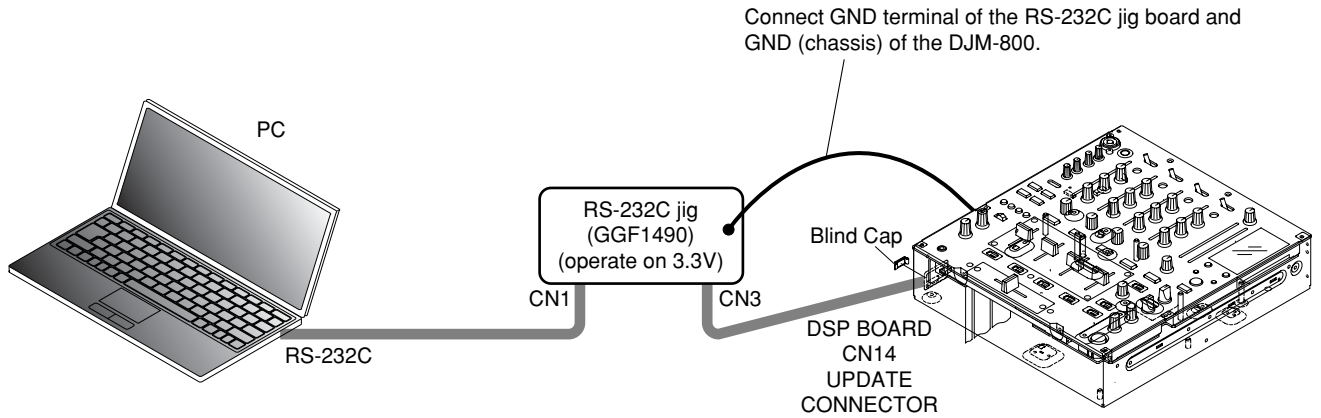
### Items required

- DJM-800 (This model)
- PC (Windows 98, XP, 2000)
- RS-232C jig (GGF1490)
- Flash Development Tool Kit (ver. 3.3)
- Program Flash File

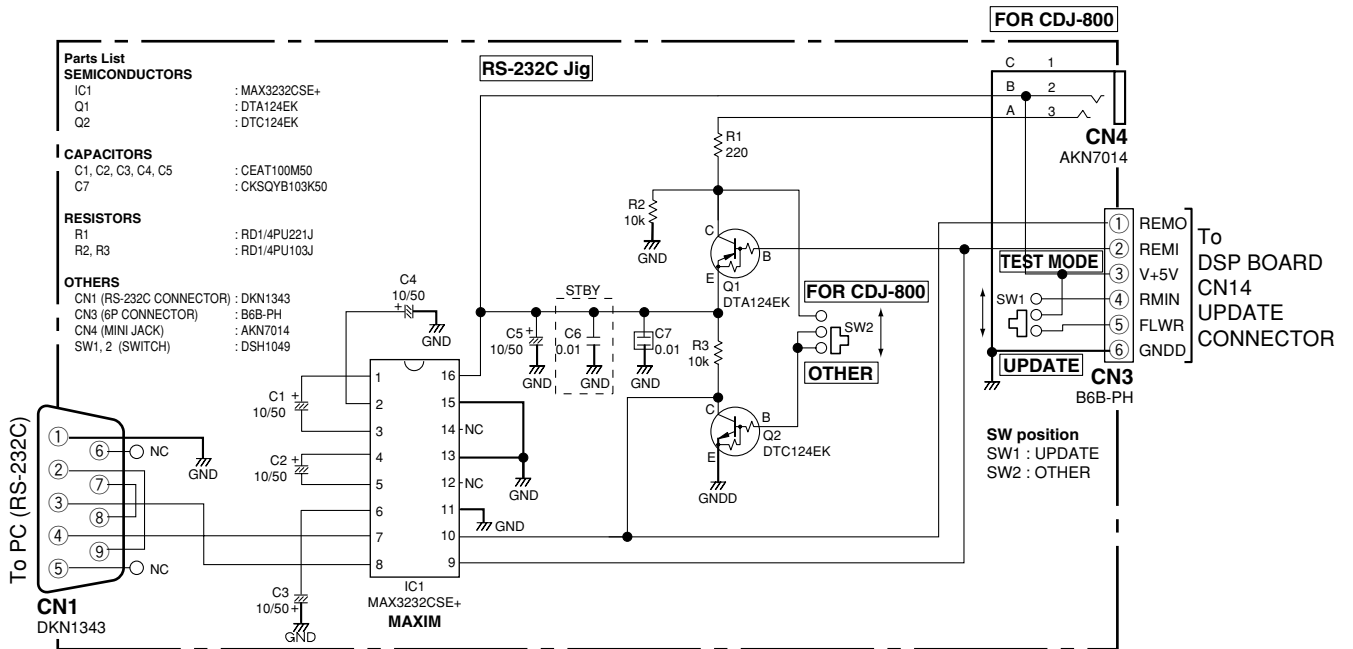
### About these softwares (Flash Development Tool kit and Program Flash Files)

To obtain these software, contact your nearest Pioneer service center.

### Connections



### RS-232C jig (GGF1490) Schematic diagram



## DJM-800

### Order of updating

1. Update of the DSP program (if required)
2. Update of DSP data (if required)
3. Update of the microcomputer software

Note: Be sure to update the microcomputer software after updating of the DSP program and /or DSP data is performed.

### How to update the microcomputer software

1. For the method for updating the microcomputer software, see "How to use the Flash Development Toolkit." (The updating method is the same as with the EFX-1000.)

Use "djm800\_xxxx.mot" as the update file.

Note: If the Flash Development Toolkit is not installed on your PC, see "How to install the Flash Development Toolkit."

### How to update the DSP program and DSP data

#### How to update the DSP program

1. Update the DSP program of the DJM-800, using the "dsp\_upp\_xxxx.mot" update file, in the same way as with the microcomputer software.
2. After disconnecting the special tool from the DJM-800, turn the DJM-800 on.
3. Once data transmission to and writing on the DSP FLASH starts, wait until the message "UPDATE END" is displayed on the FL display. The LED for the TAP button is unlit while the DJM-800 is starting up, flashes while the DSP program is being updated, then lit after the updating is finished.
4. Updating of the DSP program is completed when "UPDATE END" is displayed on the FL display or the LED for the TAP button lights up.
5. If updating of DSP data is required, go to "How to update DSP data." If it is not required, update the microcomputer software, using the "djm800\_xxxx.mot" update file.

#### How to update DSP data

1. Update DSP data of the DJM-800, using the "dsp\_upd\_xxxx.mot" update file, in the same way as with the microcomputer software.
2. After disconnecting the special tool from the DJM-800, turn the DJM-800 on.
3. Once data transmission to and writing on the DSP FLASH starts, wait until the message "UPDATE END" is displayed on the FL display. The LED for the TAP button is unlit while the DJM-800 is starting up, flashes while DSP data are being updated, then lit after the updating is finished.
4. Updating of DSP data is completed when "UPDATE END" is displayed on the FL display or the LED for the TAP button lights up.
5. Be sure to update the microcomputer software, using the "djm800\_xxxx.mot" update file.

## Installing Flash Development Toolkit

### 1. Installation

#### 1.1 Installation



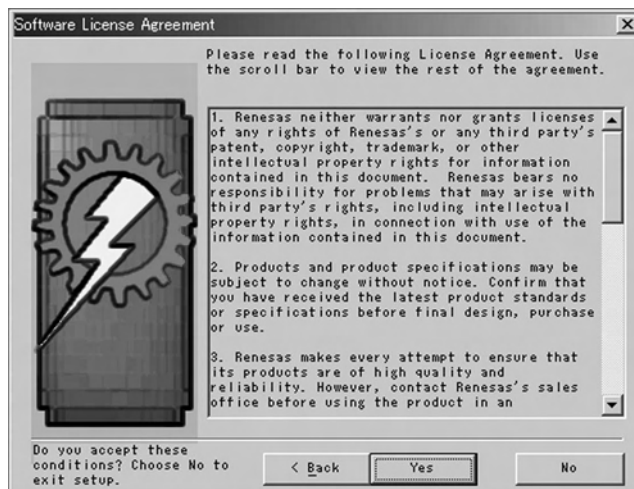
Double-click on the fdt3\_3.exe file icon. The window shown below will open.  
Click on Next.



Select International (English), then click on Next.



Read the Software License Agreement, and if you accept the conditions, click on Yes.



Leave the check boxes as they are and click on Next.

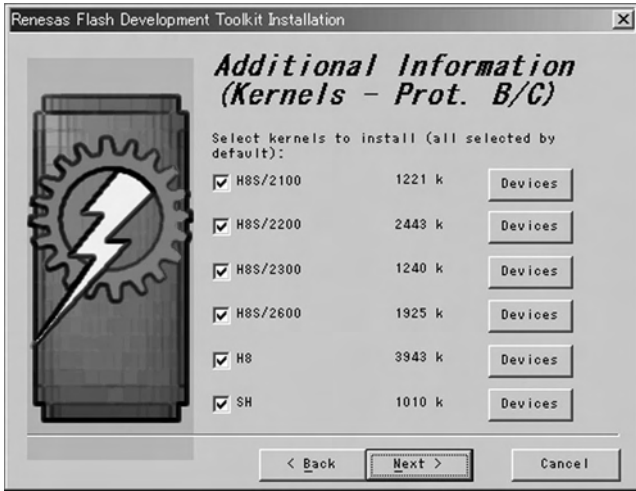


Leave the check boxes as they are and click on Next.



Leave the check boxes as they are and click on Next.

A



B

The location where Flash Development Tool Kit 3.3 is to be installed will be displayed.



With the default setting, the program will be installed under Program Files on Drive C. You may change the location. If you do not wish to change the location, skip to Step 1.3.

Leave the check boxes as they are and click on Next.

C



D

E

F

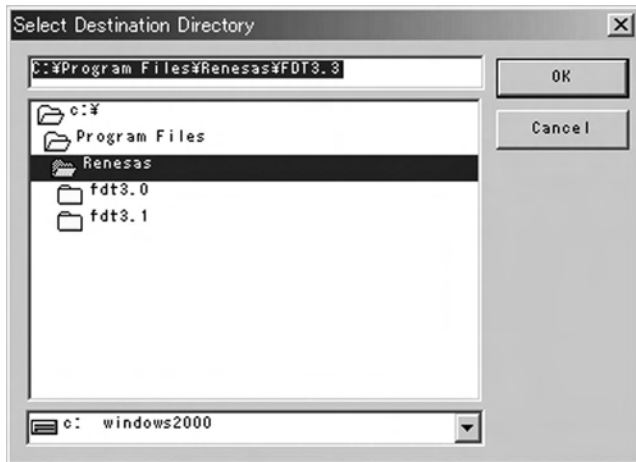


### 1.2 Changing the location for installation

Click on Browse...

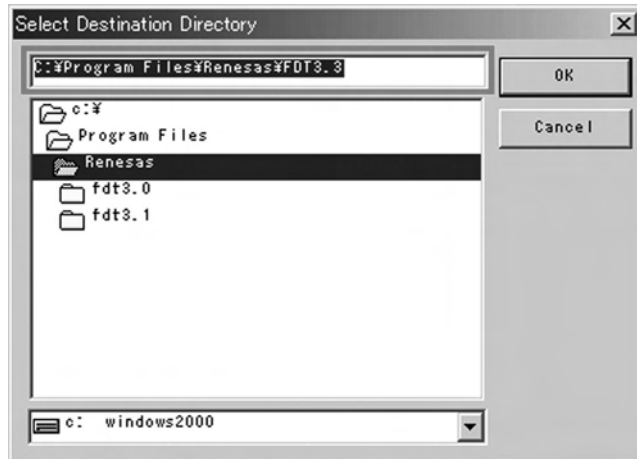


The window shown below will open.



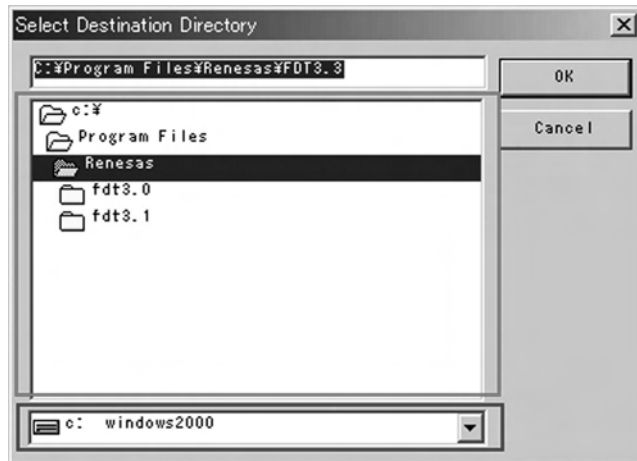
### Method ①

You can directly enter the location for installation in the box enclosed in the frame in the illustration below:



### Method ②

You can select the drive in the box enclosed in the lower frame and the folder in the box enclosed in the upper frame in the illustration below:



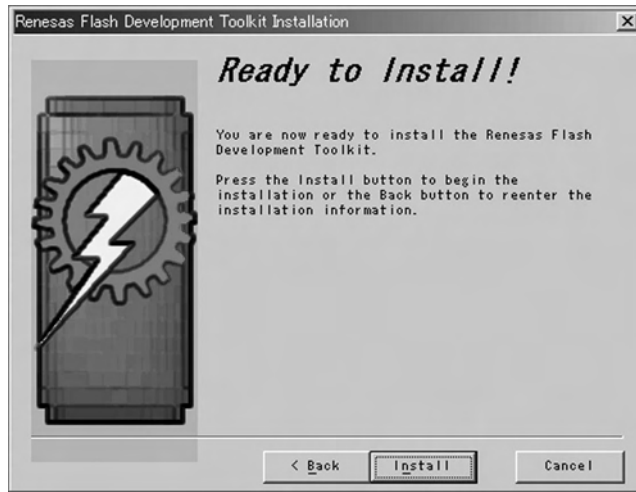
After designating the location for installation, click on OK. Then the Select Destination Directory window will close.

**1.3 The location where the backup directory will be created is displayed.**

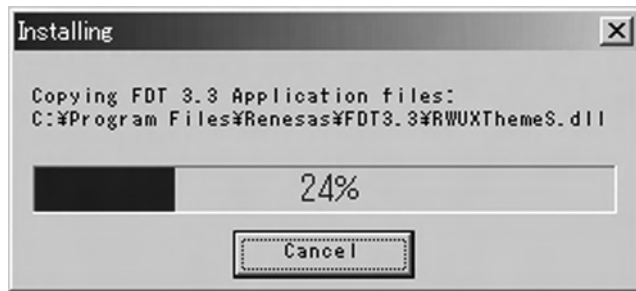
If you wish to change the location, you can change it in the same manner as in Step 1.2. Normally, leave the location setting as it is and click on Next.



Click on Install. Installation starts.

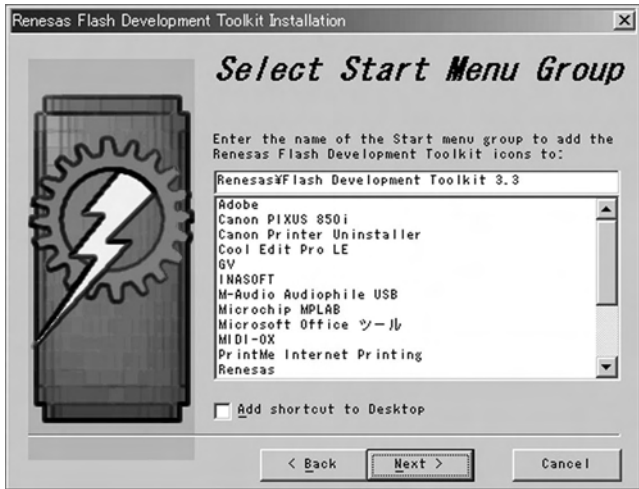


During installation, the display shown below indicates the progress of installation.



**1.4 You can register the program on the Start menu.**

Normally, leave the setting as it is and click on Next.

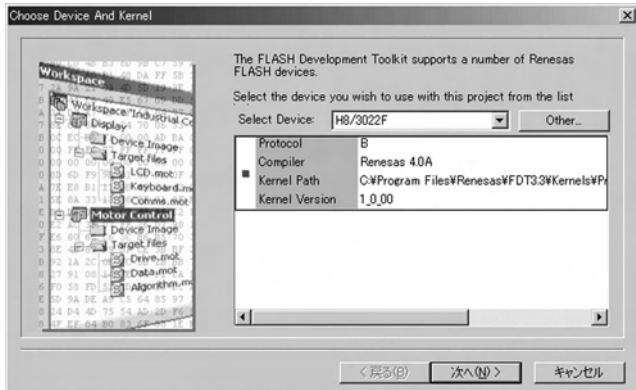


When installation is completed, the message shown below will be displayed. Click on Finish. Installation is completed.



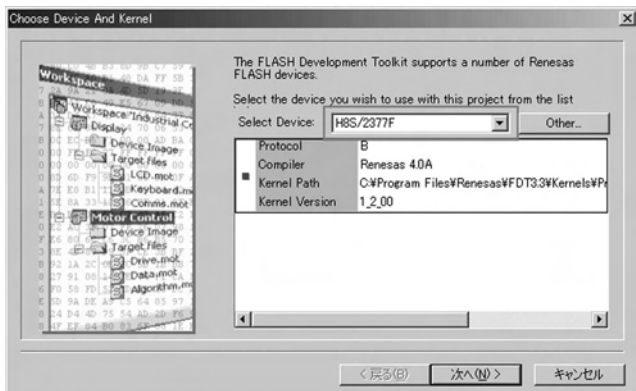
### 2. Initial settings

Click on Start, and select Program, Renesas, Flash Development Tool Kit 3.3, then Flash Development Tool Kit 3.3 Basic. The program will start up, and the window shown below will open.



### 2.1 Selection of the device and kernel

Select H8S/2377F in the Select Device: box then click on Next.



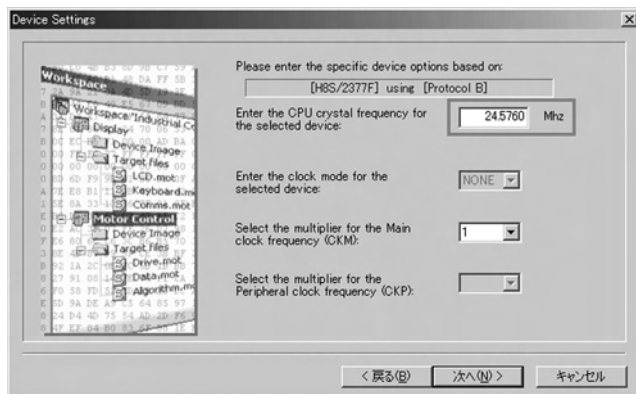
### 2.2 Selection of the port

Select the port to be used in the Select port: box then click on Next.



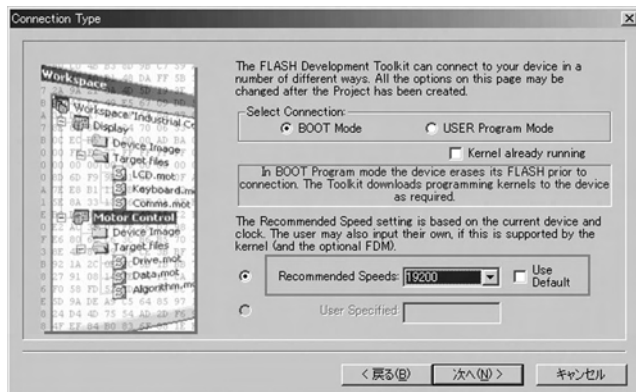
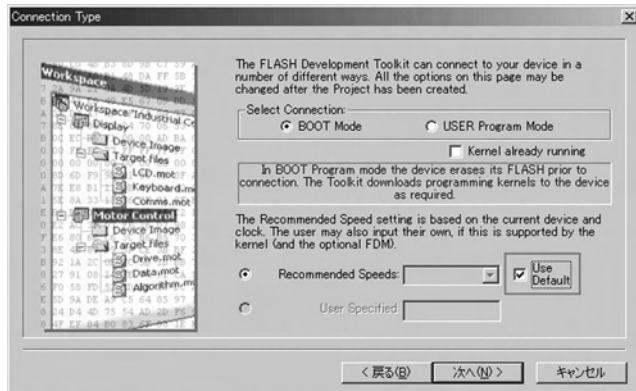
### 2.3 Device setting

Enter 24.5760 in the Enter the CPU crystal frequency for the selected device: box. Leave other settings as they are. Click on Next.



### 2.4 Connection type

Click on the Use Default check box to remove the check mark for this option. Select 19200 in the Recommended Speeds: box.



### 2.5 Registering the initial settings

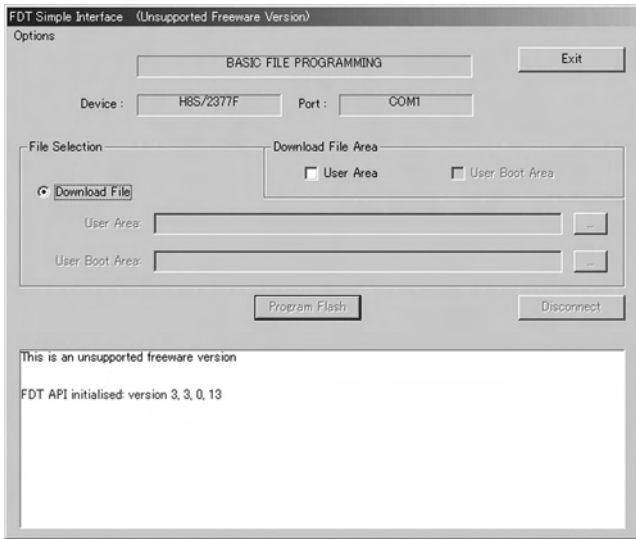
Click on Finish to register the initial settings.

A



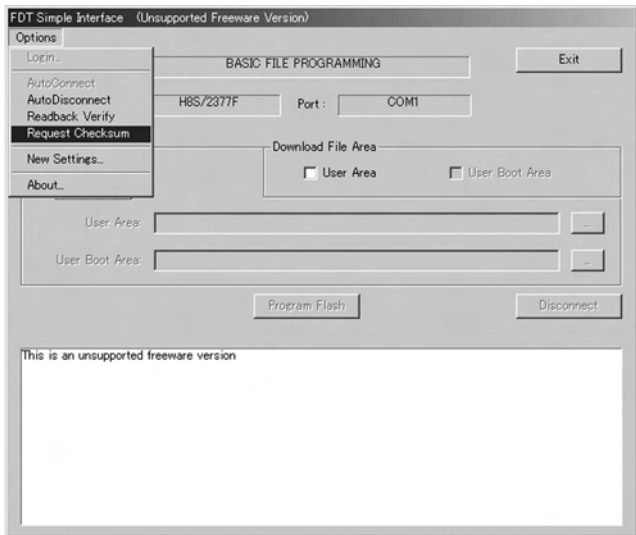
B

The program starts.



C

Click on Options then click to place a check mark in the Request Checksum check box.



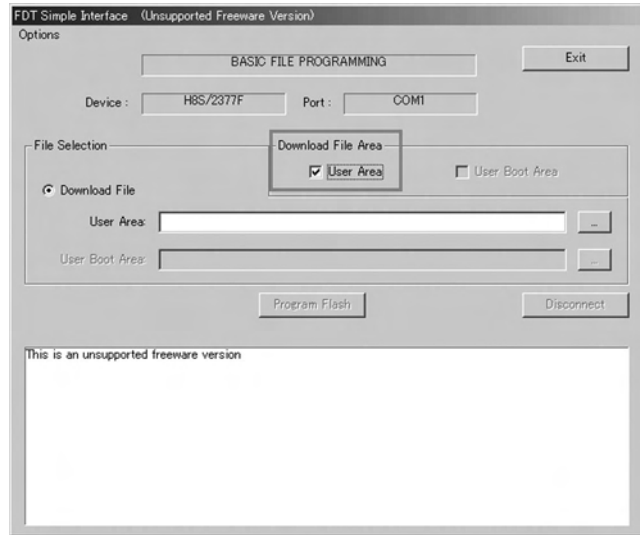
E

Now installation and registration of the initial settings have been completed.

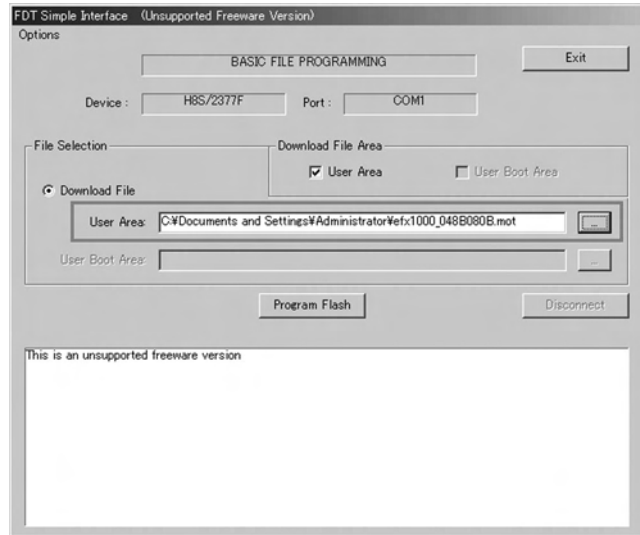
F

### 3. How to use

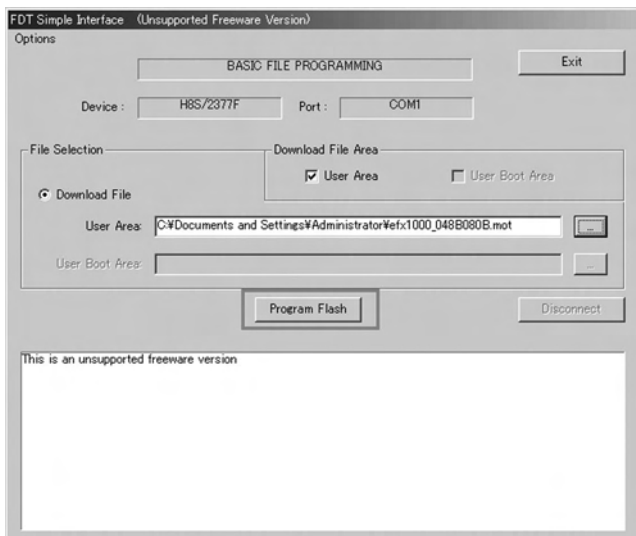
Click on the User Area check box in Download File Area to place a check mark in the check box.



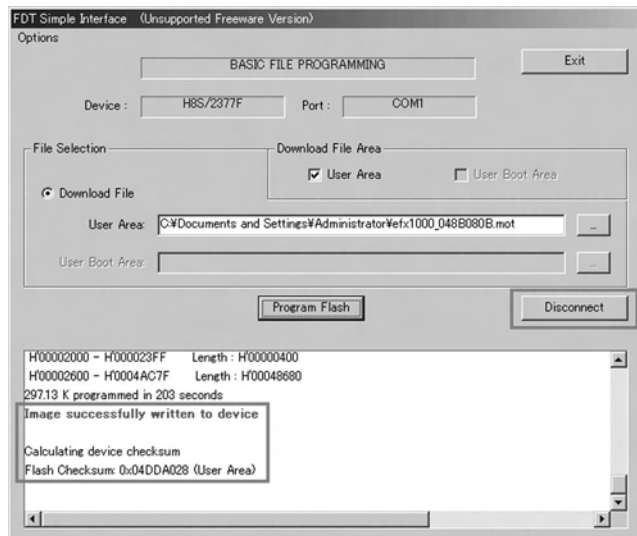
Designate the file in the User Area: box in File Selection.



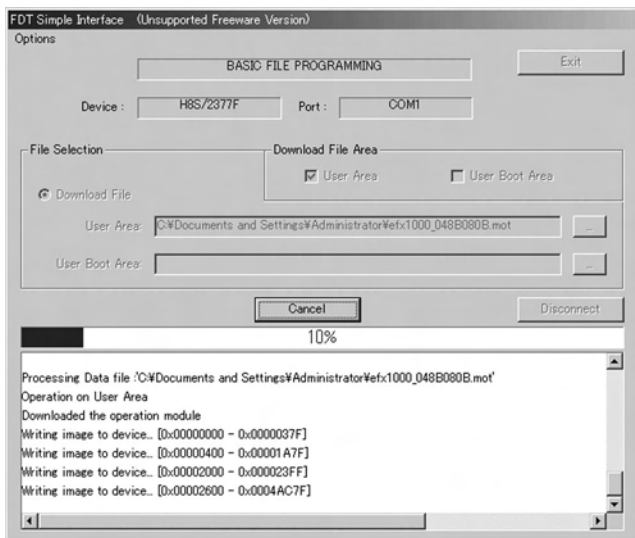
Click on Program Flash.



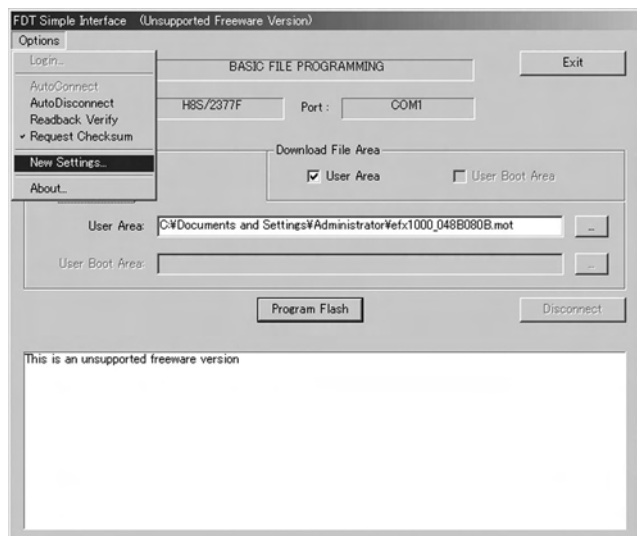
When downloading is finished, click on Disconnect. After confirming that "Disconnected" is displayed in the window, turn off the DJM-800(efx1000).



Downloading will start.



If you wish to change the device or port settings, select Options then New Settings. Change settings, referring to "2. Initial settings."



### Instruction Manual for Flash Development Tool Kit

A

**Preparation:** Connect the DJM-800(efx1000) and your PC, using the RS-232C jig.

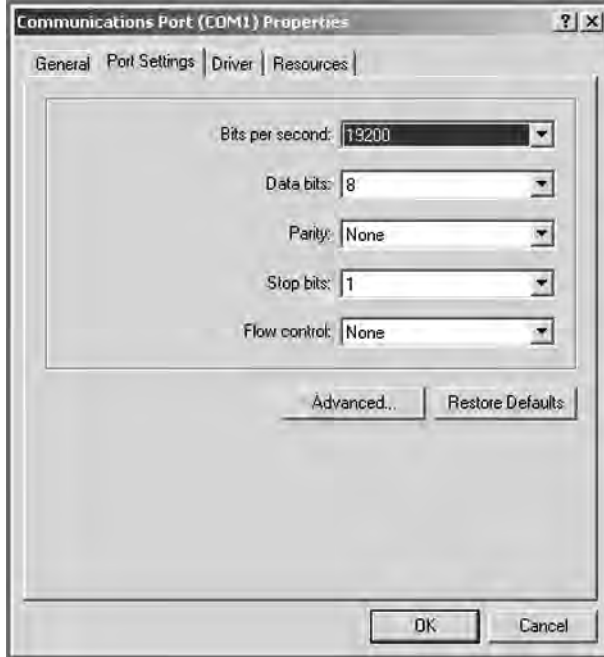
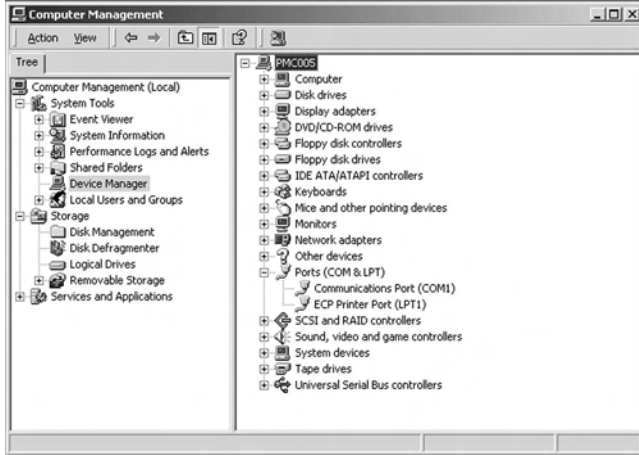
**Note:** After the above connection is made, when the DJM-800 is turned on, it will enter Writing mode. In Writing mode, all the LEDs remain unlit. However, when the DJM-800(efx1000) is turned on or off, it clicks.

**• How to confirm the port to be used on your PC**

Double-click on System in Control Panel, or right-click on My Computer and select System Properties. Click on the Hardware tab and select Device Manager. You can confirm the port at Port (COM and LPT).

Click on the Port Setting tab and select 19200 in the bps box.

B



C

Set the baud rate of the port to be used to 19200.

Example: COM1

Double-click on the port name to be used.



D

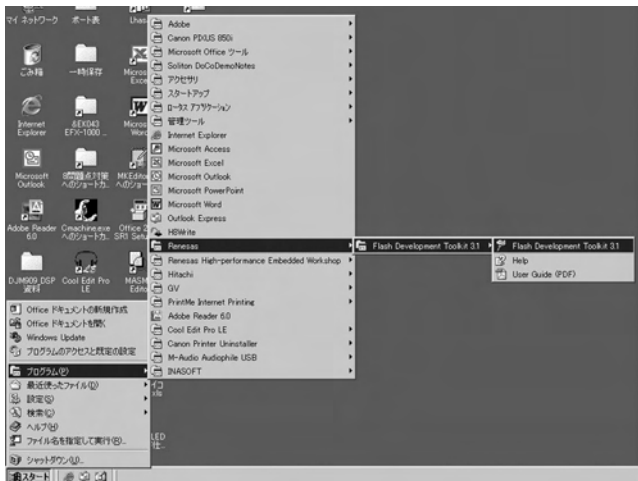
Click on OK. The setting is completed.

E

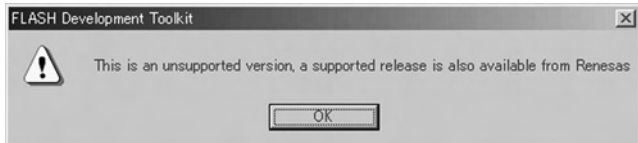
F

### 1. Starting the program

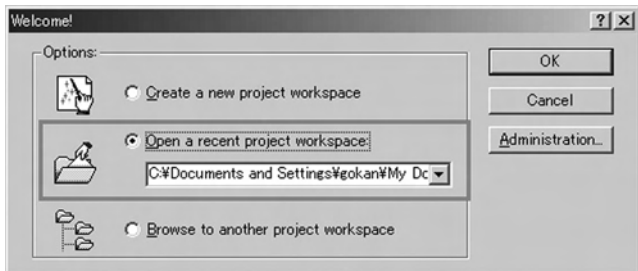
Click on Start, and select Program, Renesas, Flash Development Tool Kit 3.1, then Flash Development Tool Kit 3.1.



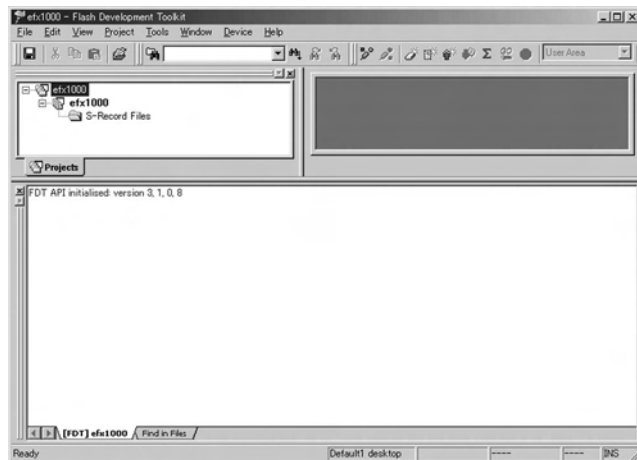
When the program starts, the following message will be displayed. Click on OK.



Then the window shown below will be displayed. Select Open a recent project workspace then click on OK.



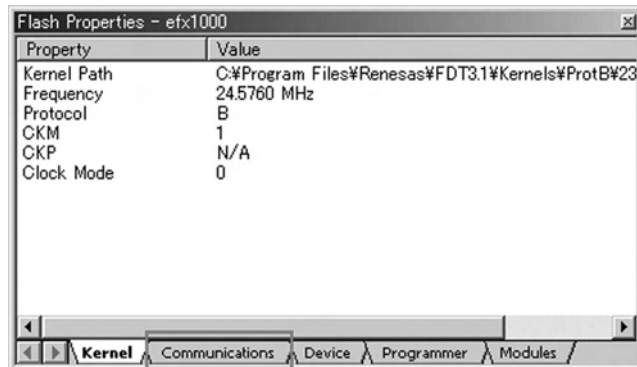
The workspace will open.



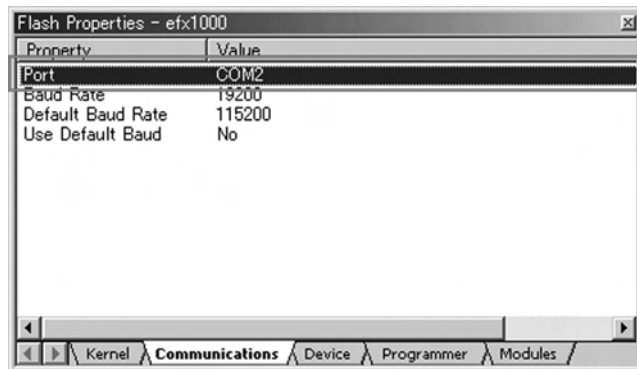
To change the port where the RS-232C jig is to be connected, modify the setting in the following way (if the port does not need to be changed, skip to "2. Selecting the .mot file to be downloaded into the DJM-800(efx1000)": Click on the Configure Flash Project icon.



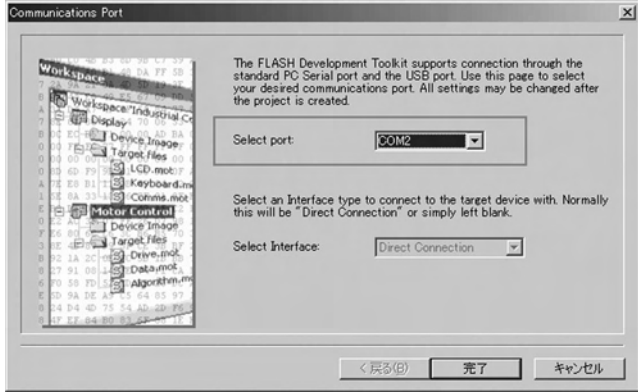
The Flash Properties window will be displayed.



Click on the Communications tab. The screen shown below will be displayed. Click on Port.



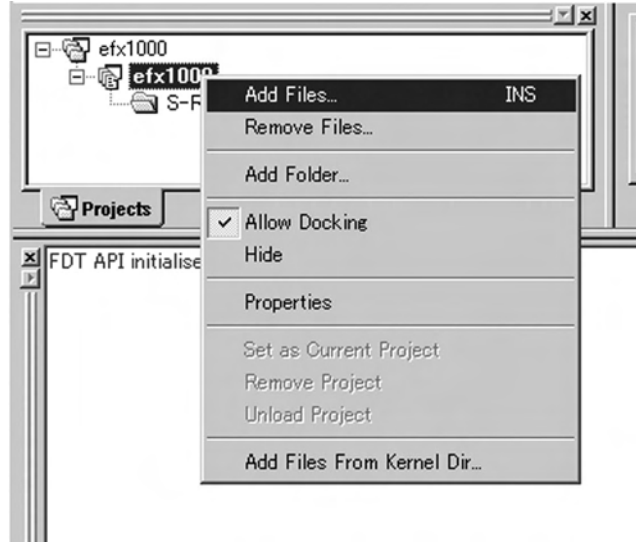
A The window shown below will open. Designate the port then click on Finish. The Communications Port window will then close.



B

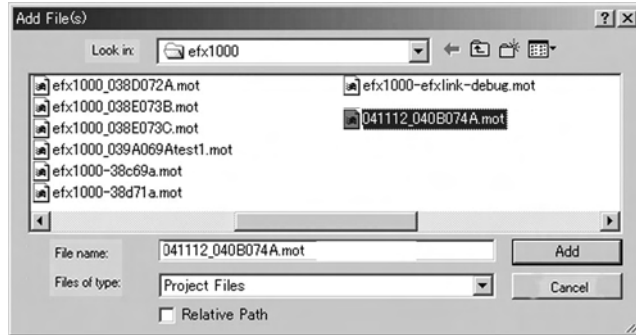
## 2. Selecting the .mot file to be downloaded into the DJM-800(efx1000)

Right-click on the project name and select Add Files....



C

Select a .mot file to be downloaded from the folder then click on Add.



D

The .mot file to be downloaded will be added.



E

F



### 3. Downloading the .mot file into the DJM-800

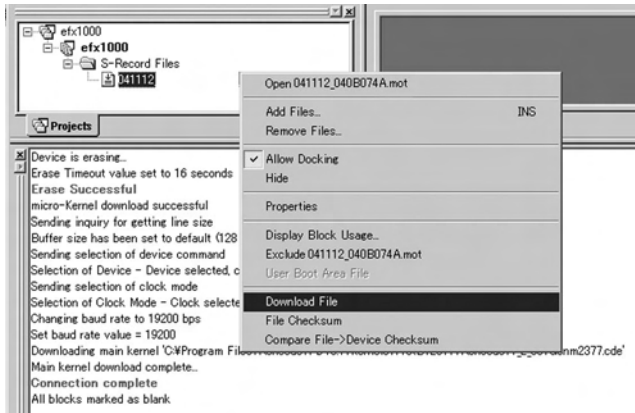
Turn on the DJM-800(efx1000). Click on the Connect icon to activate connection of the DJM-800(efx1000) with the PC.



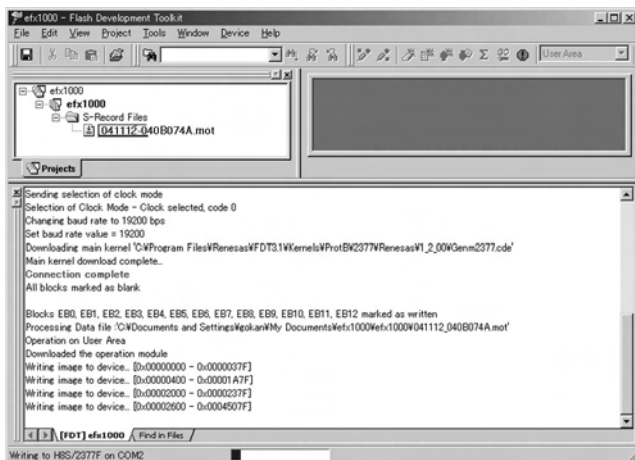
If the display shown below appears, the connection has been successfully made.



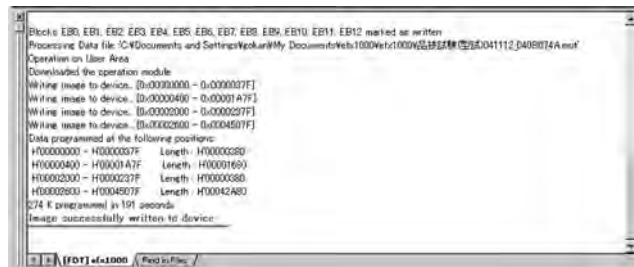
Right-click on the .mot file and select Download File.



Downloading will start.

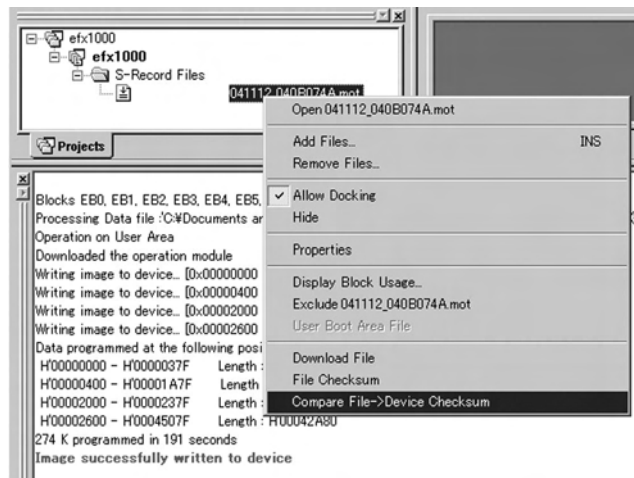


When the message "Image successfully written to device" is displayed, downloading has been finished.



#### • Confirming if downloading has been successfully completed

Right-click on the .mot file, and select Compare File → Device Checksum.



Check the values enclosed in the frames in the illustration below. If these two values are the same, downloading has been successfully completed.



### 4. Exiting from the program

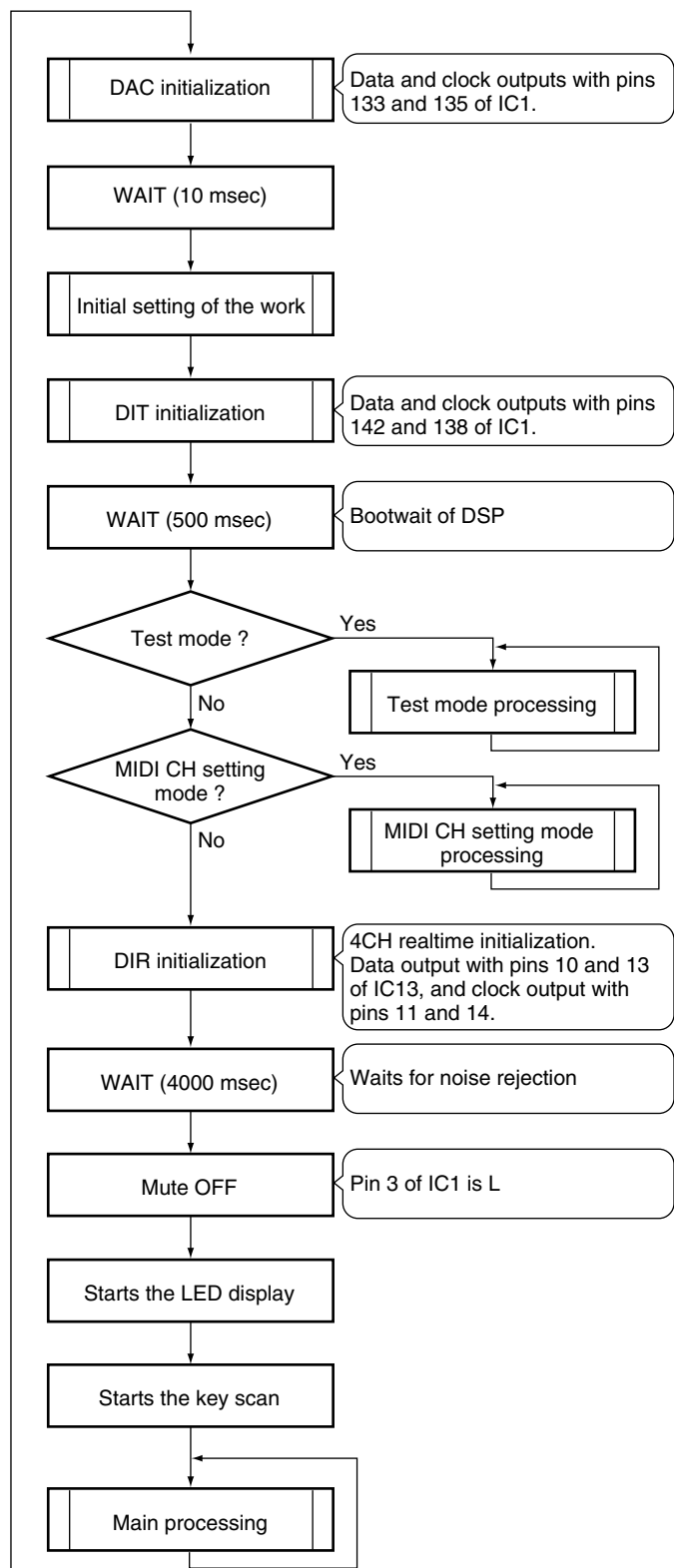
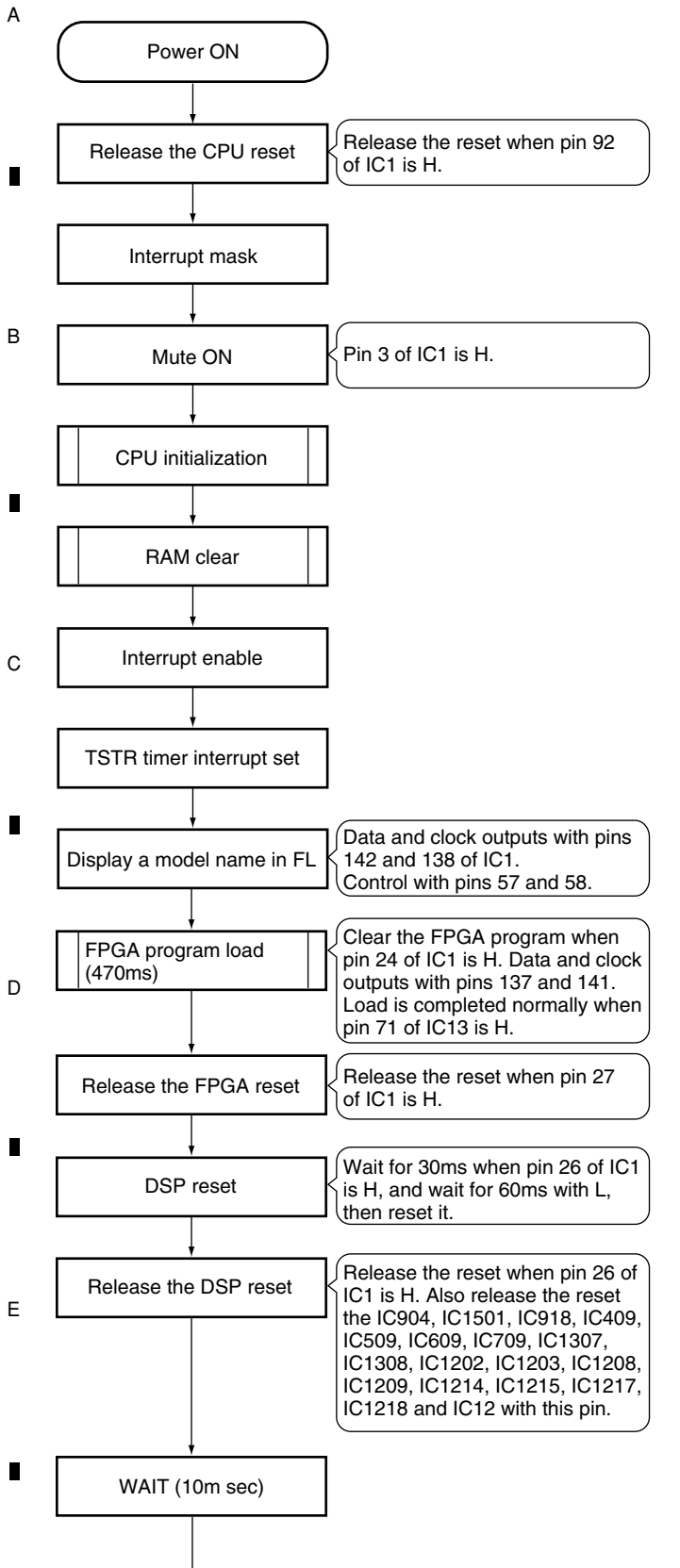
Click on the Disconnect icon to deactivate connection of the DJM-800(efx1000) with the PC.



Turn off the DJM-800(efx1000), and unplug the cables of the RS-232C jig.

# 7.2 POWER ON SEQUENCE

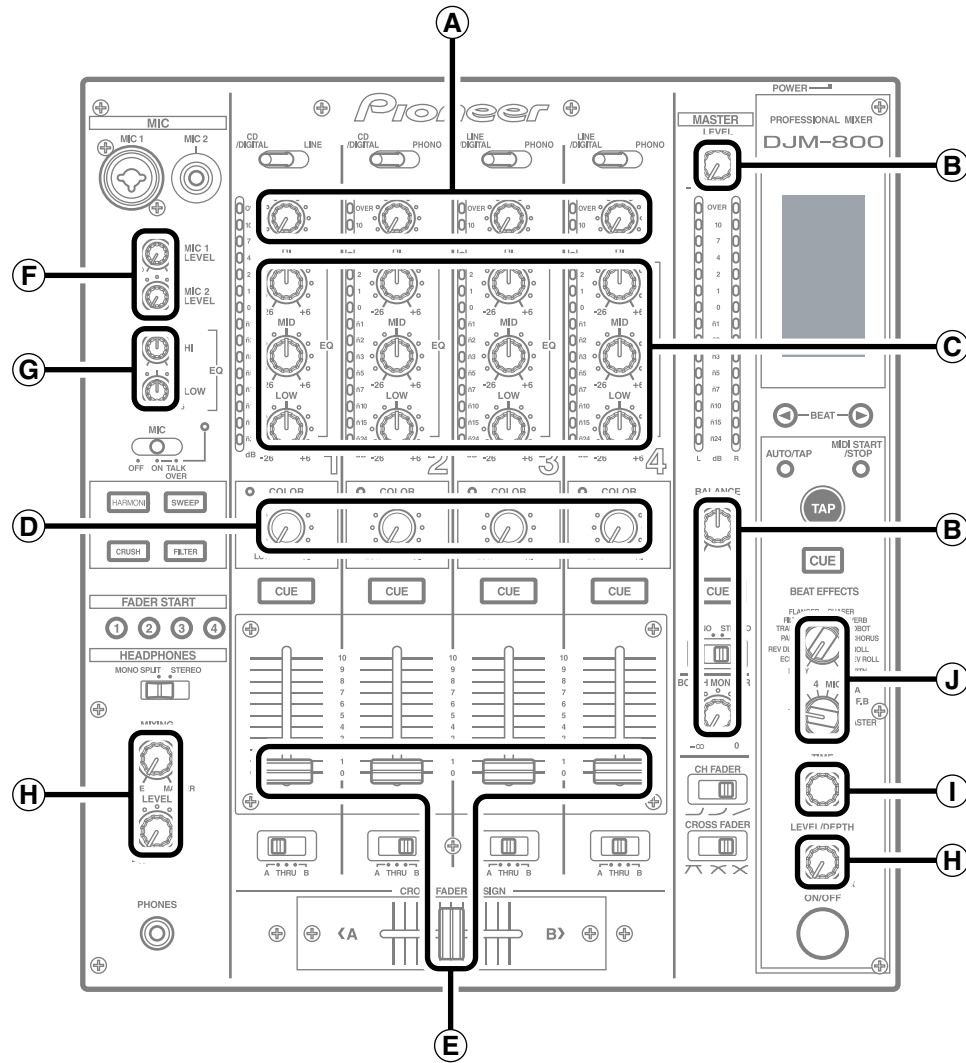
## ● Power ON Sequence



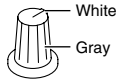
# 7.3 DISASSEMBLY

**Note:** Even if the unit shown in the photos and illustrations in this manual may differ from your product, the procedures described here are common.

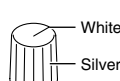
## Knobs and Volumes Location



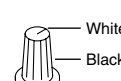
**A** Rotary SW knob S (C)  
(DAA1204) ×4



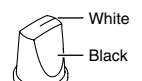
**D** Rotary SW knob (HM)  
(DAA1197) ×4



**G** Rotary SW knob S (A)  
(DAA1177) ×2



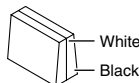
**J** Select knob  
(DAA1179) ×2



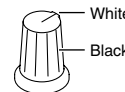
**B** Rotary SW knob (MA)  
(DAA1198) ×3



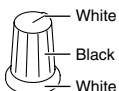
**E** Slider knob (L2)  
(DAC2371) ×5



**H** Rotary SW knob (A)  
(DAA1175) ×3



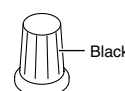
**C** Rotary SW knob (B)  
(DAA1176) ×12



**F** Rotary SW knob S (B)  
(DAA1178) ×2



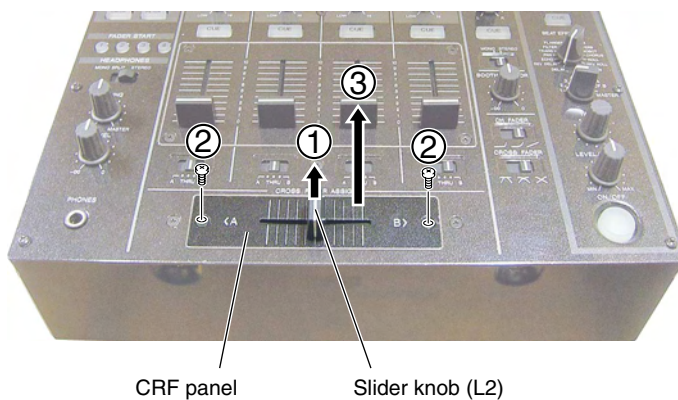
**I** Rotary SW knob (C)  
(DAA1180) ×1



# Disassembly

## 1 Cross Fader Section

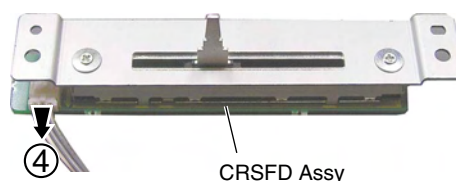
- ① Remove the slider knob (L2).
- ② Remove the two screws.
- ③ Remove the CRSFD Assy with CRF panel.



CRF panel      Slider knob (L2)

- ④ Disconnect the connector.

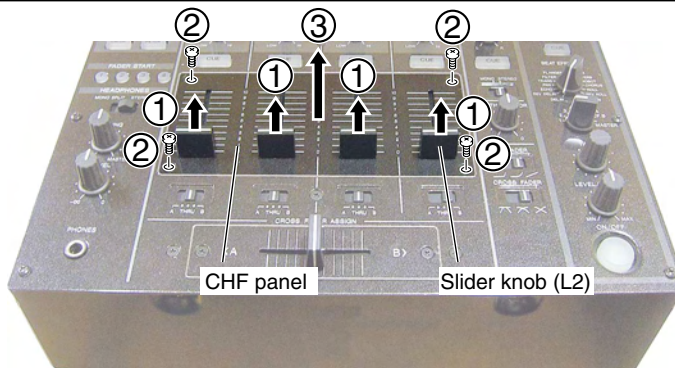
**Exchange**



CRSFD Assy

## 2 CH Fader Section

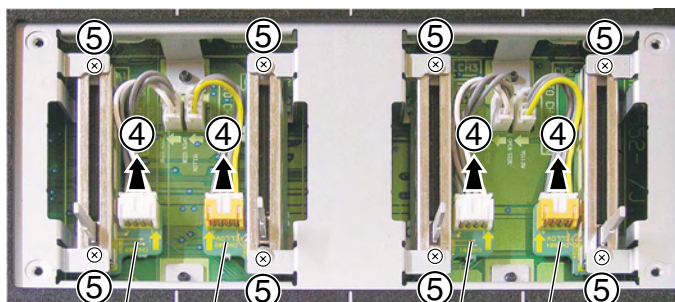
- ① Remove the four slider knob (L2)s.
- ② Remove the four screws.
- ③ Remove the CHF panel.



CHF panel      Slider knob (L2)

- ④ Disconnect the four connectors.
- ⑤ Remove the eight screws.

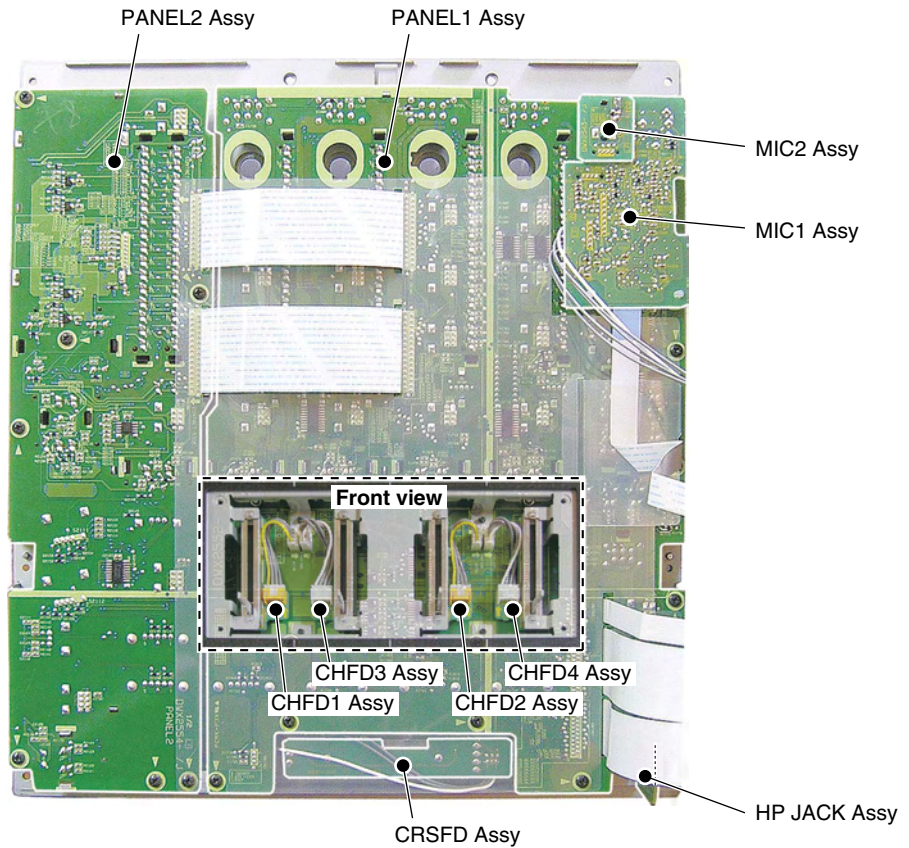
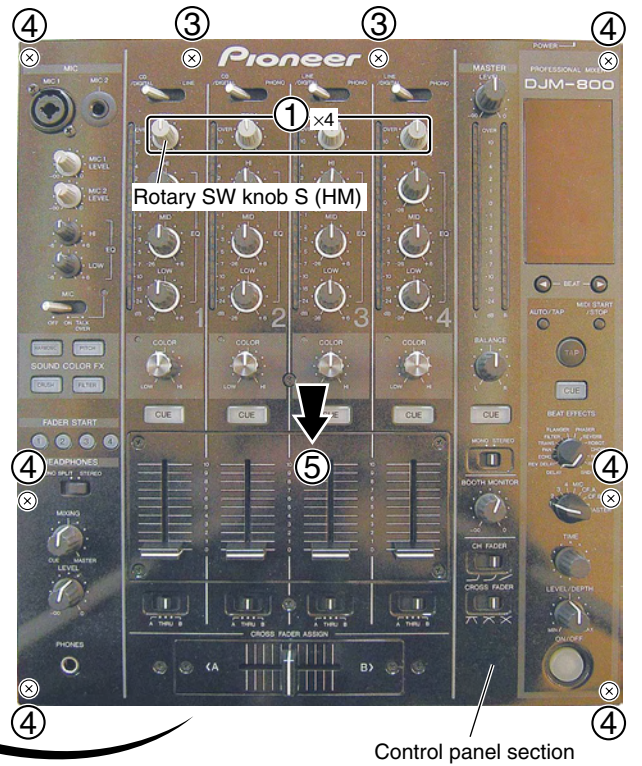
**Exchange**



CHFD1 Assy      CHFD2 Assy      CHFD3 Assy      CHFD4 Assy

### 3 Control Panel Section

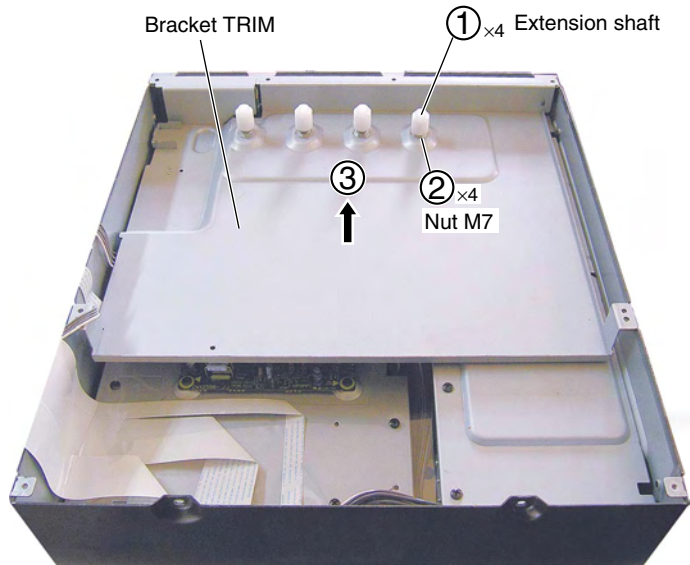
- ① Remove the four Rotary SW knob S (HM)s.
- ② Remove the two screws.
- ③ Remove the two screws.
- ④ Remove the six screws.
- ⑤ Remove the control panel section.



### 4 Bracket TRIM and Shield Case

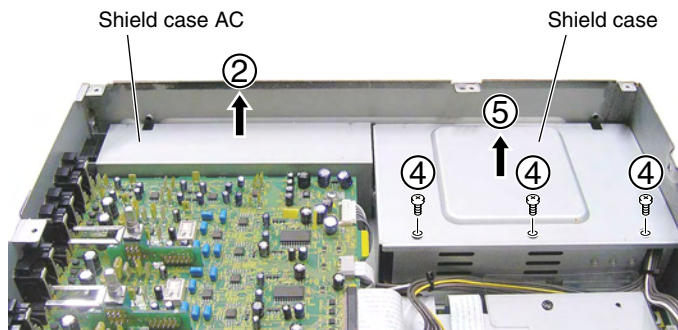
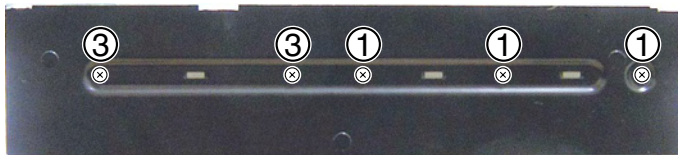
#### ● Bracket TRIM

- ① Remove the four extension shafts.
- ② Remove the four nuts M7.
- ③ Remove the bracket TRIM.



#### ● Shield Case AC and Shield Case

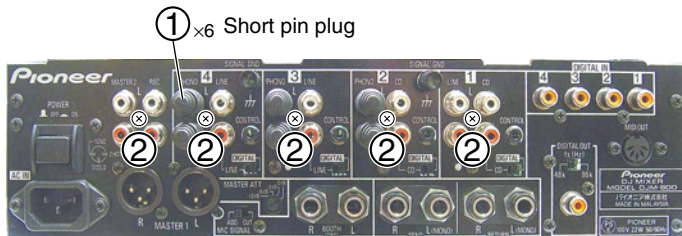
- ① Remove the three screws.
- ② Remove the shield case AC.
- ③ Remove the two screws.
- ④ Remove the three screws.
- ⑤ Remove the shield case.



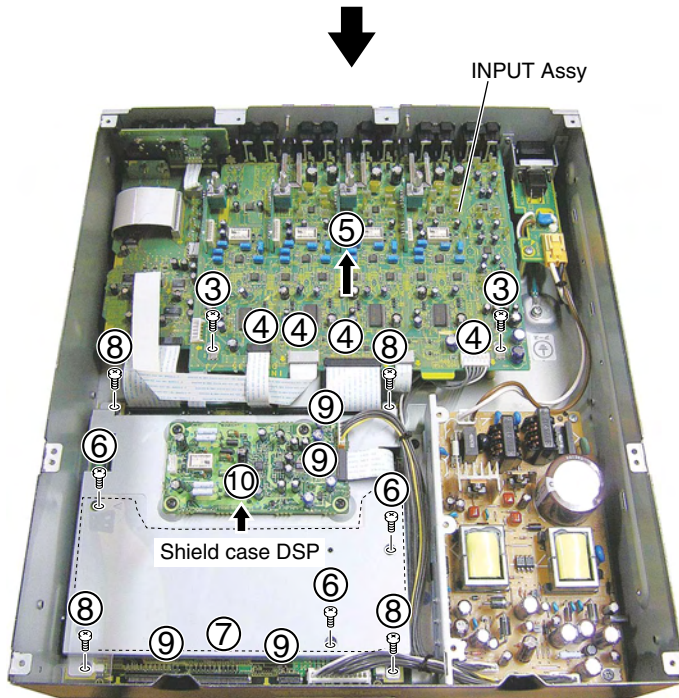
### 5 INPUT Assy and Shield Case DSP

#### ● INPUT Assy

- ① Remove the six short pin plugs.
- ② Remove the five screws.

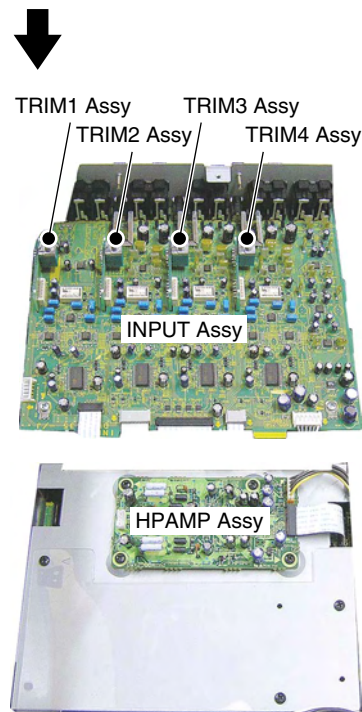
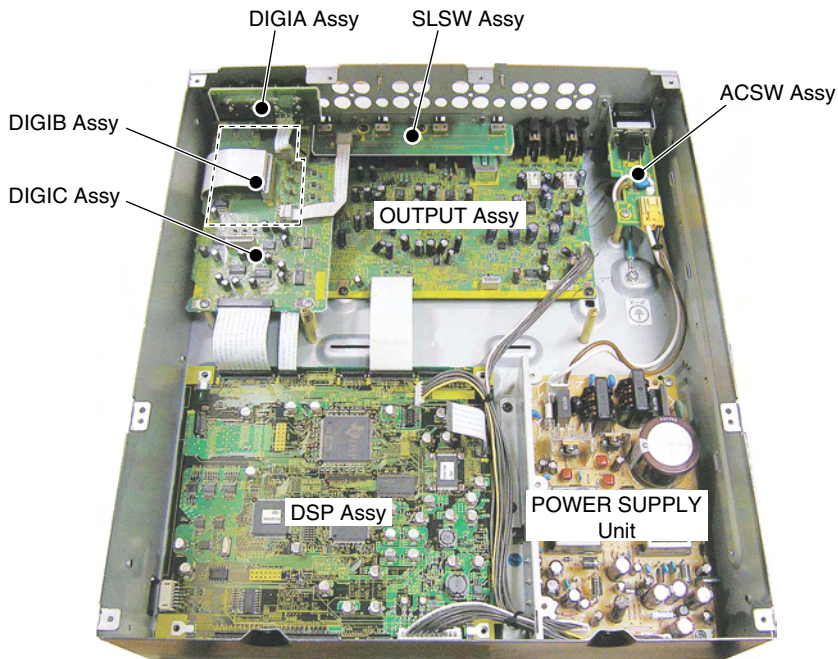


- ③ Remove the two screws.
- ④ Disconnect cables, as required.
- ⑤ Remove the INPUT Assy.



#### ● Shield Case DSP

- ⑥ Remove the three screws.
- ⑦ Remove the styling sheet.
- ⑧ Remove the four screws.
- ⑨ Disconnect cables, as required.
- ⑩ Remove the shield case DSP.



## 7.4 IC INFORMATION

### ■ DYW1757(HD64F2377) : (DSP ASSY : IC 1)

• Microcomputer

#### ● Pin Function

| No. | Mark    | Pin Name     | I/O | Pin Function                                                           |
|-----|---------|--------------|-----|------------------------------------------------------------------------|
| 1   | MD2     | MD2          | I   | Mode pin 2 NOR: Mode 4 At rewriting: Mode 3                            |
| 2   | VSS     | VSS          | I   | GND                                                                    |
| 3   | P80     | MUTE         | O   | MUTE signal 0: Mute ON, 1: Mute OFF                                    |
| 4   | VCC     | VCC          | I   | Power supply                                                           |
| 5   | A0      | A0           | O   | Address bus output A0                                                  |
| 6   | A1      | A1           | O   | Address bus output A1                                                  |
| 7   | A2      | A2           | O   | Address bus output A2                                                  |
| 8   | A3      | A3           | O   | Address bus output A3                                                  |
| 9   | A4      | A4           | O   | Address bus output A4                                                  |
| 10  | VSS     | VSS          | I   | GND                                                                    |
| 11  | A5      | A5           | O   | Address bus output A5                                                  |
| 12  | A6      | A6           | O   | Address bus output A6                                                  |
| 13  | A7      | A7           | O   | Address bus output A7                                                  |
| 14  | A8      | A8           | O   | Address bus output A8                                                  |
| 15  | A9      | A9           | O   | Address bus output A9                                                  |
| 16  | A10     | A10          | O   | Address bus output A10                                                 |
| 17  | A11     | A11          | O   | Address bus output A11                                                 |
| 18  | VSS     | VSS          | I   | GND                                                                    |
| 19  | PB4     | DIGIANA1     | I   | CH1 Digital <-> Analog SW                                              |
| 20  | PB5     | DIGIANA2     | I   | CH2 Digital <-> Analog SW H : Digital, L : Analog                      |
| 21  | PB6     | DIGIANA3     | I   | CH3 Digital <-> Analog SW H : Digital, L : Analog                      |
| 22  | PB7     | DIGIANA4     | I   | CH4 Digital <-> Analog SW H : Digital, L : Analog                      |
| 23  | PA0     | XDONE        | I   | FPGA program ready H : Digital, L : Analog                             |
| 24  | PA1     | XPGM         | O   | FPGA program clear                                                     |
| 25  | VSS     | VSS          | I   | GND                                                                    |
| 26  | PA2     | DSP_RESET    | O   | RESET OUT H : Release of RESET, L : RESET                              |
| 27  | PA3     | FPGA_RESET   | O   | RESET OUT H : Release of RESET, L : RESET                              |
| 28  | PA4     | DIGIANA_SEL1 | O   | CH1 input select 0: Analog side 1, 1: Digital side 1                   |
| 29  | PA5     | DIGIANA_SEL2 | O   | CH2 input select 0: Analog side 2, 1: Digital side 2                   |
| 30  | PA6     | DIGIANA_SEL3 | O   | CH3 input select 0: Analog side 3, 1: Digital side 3                   |
| 31  | PA7     | DIGIANA_SEL4 | O   | CH4 input select 0: Analog side 4, 1: Digital side 4                   |
| 32  | EMLE    | EMLE         | I   | Emulator enable pin Set to L level at normal operation. GND by 1k.     |
| 33  | TXD3    | MIDI_TXD     | O   | MIDI TXD send only                                                     |
| 34  | P82     | SIO_SEL0     | O   | SIO port select 0 FPGA, DAC, selection (at power on) H : FPGA, L : DAC |
| 35  | PH0     | SIO_SEL1     | O   | SIO port select 1 DIT selection L : DIT                                |
| 36  | PH1     | SIO_SEL2     | O   | SIO port select 2 EEPROM selection                                     |
| 37  | PH2     | SIO_SEL3     | O   | FPGA_SIO0 DIR (CH1,CH3) selection L : DIR                              |
| 38  | PH3     | SIO_SEL4     | O   | FPGA_SIO1 DIR (CH2,CH4) selection L : DIR                              |
| 39  | WDTOVFn | EMU_03       | O   | Overflow output of the watch dock timer for H8JTAG emulator            |
| 40  | NMI     | NMI          | I   | Nonmaskable interrupt L level fixing                                   |
| 41  | VCC     | VCC          | I   | Power supply                                                           |
| 42  | P10     | SW_MAT0      | I   | KEY matrix b0 input                                                    |
| 43  | P11     | SW_MAT1      | I   | KEY matrix b1 input                                                    |
| 44  | P12     | SW_MAT2      | I   | KEY matrix b2 input                                                    |
| 45  | P13     | SW_MAT3      | I   | KEY matrix b3 input                                                    |
| 46  | P14     | SW_MAT4      | I   | KEY matrix b4 input                                                    |
| 47  | P15     | SW_MAT5      | I   | KEY matrix b5 input                                                    |
| 48  | P16     | SW_MAT6      | I   | KEY matrix b6 input                                                    |



| No. | Mark   | Pin Name    | I/O | Pin Function                                      |
|-----|--------|-------------|-----|---------------------------------------------------|
| 49  | P17    | SW_MAT7     | I   | KEY matrix b7 input                               |
| 50  | VSS    | VSS         | I   | GND                                               |
| 51  | P20    | SW_SCAN0    | O   | KEY SCAN ADDRESS                                  |
| 52  | P21    | SW_SCAN1    | O   | KEY SCAN ADDRESS                                  |
| 53  | P22    | SW_SCAN2    | O   | KEY SCAN ADDRESS                                  |
| 54  | TXD4   | SIO4_TXD    | O   | Vacant, CH1 line select, H : LINE, L : CD/DIGITAL |
| 55  | RXD4   | INPUT_SEL1  | I   |                                                   |
| 56  | P25    | MIC_OUT     | I   | BOOTH MONITOR MIC CUT/ADD H : CUT, L : ADD        |
| 57  | P26    | FL_LAT      | O   | For FL control                                    |
| 58  | P27    | FL_BK       | O   | For FL control                                    |
| 59  | P83    | INPUT_SEL2  | O   | H : PHONO, L : CD/DIGITAL                         |
| 60  | P84    | INPUT_SEL3  | O   | H : PHONO, L : LINE/DIGITAL                       |
| 61  | P85    | INPUT_SEL4  | O   | H : PHONO, L : LINE/DIGITAL                       |
| 62  | DCTL   | DCTL        | I   | L fixing                                          |
| 63  | D0     | D0          | I/O | Data bus D0                                       |
| 64  | D1     | D1          | I/O | Data bus D1                                       |
| 65  | D2     | D2          | I/O | Data bus D2                                       |
| 66  | D3     | D3          | I/O | Data bus D3                                       |
| 67  | D4     | D4          | I/O | Data bus D4                                       |
| 68  | D5     | D5          | I/O | Data bus D5                                       |
| 69  | D6     | D6          | I/O | Data bus D6                                       |
| 70  | VSS    | VSS         | I   | GND                                               |
| 71  | D7     | D7          | I/O | Data bus D7                                       |
| 72  | VCC    | VCC         | I   | Power supply                                      |
| 73  | D8     | D8          | I/O | Data bus D8                                       |
| 74  | D9     | D9          | I/O | Data bus D9                                       |
| 75  | D10    | D10         | I/O | Data bus D10                                      |
| 76  | D11    | D11         | I/O | Data bus D11                                      |
| 77  | D12    | D12         | I/O | Data bus D12                                      |
| 78  | D13    | D13         | I/O | Data bus D13                                      |
| 79  | D14    | D14         | I/O | Data bus D14                                      |
| 80  | D15    | D15         | I/O | Data bus D15                                      |
| 81  | P60    | LED_DIG0    | O   | LED display selectio A_0                          |
| 82  | P61    | LED_DIG1    | O   | LED display selectio A_1                          |
| 83  | P62    | LED_DIG2    | O   | LED display selectio A_2                          |
| 84  | WAIT   | WAIT        | I   | For bus control FPGA request                      |
| 85  | PF1    | EFCT_PARA10 | I   | For encoder input detection                       |
| 86  | PF2    | EFCT_PARA11 | I   | For encoder input detection                       |
| 87  | PF3    | LWRn        | O   | For bus control Use for LED control.              |
| 88  | PF4    | HWRn        | O   | For bus control FPGA                              |
| 89  | PF5    | RDn         | O   | For bus control FPGA                              |
| 90  | PF6    | Asn         | O   | For bus control FPGA                              |
| 91  | PLLVCC | PLLVCC      | I   | Power supply for internal PLL oscillator VCC      |
| 92  | RESn   | RESn        | I   | Reset input                                       |
| 93  | PLLVSS | PLLVSS      | I   | GND for internal PLL oscillator                   |
| 94  | PF7    |             | O   | TEST Pin                                          |
| 95  | VSS    | VSS         | I   | GND                                               |
| 96  | XTAL   | XTAL        | I   | Crystal connection pin                            |

A

| No. | Mark  | Pin Name  | I/O      | Pin Function                                                    |                                           |
|-----|-------|-----------|----------|-----------------------------------------------------------------|-------------------------------------------|
| 97  | EXTAL | EXTAL     | I        | Crystal connection/external clock input                         |                                           |
| 98  | VCC   | VCC       | I        | Power supply                                                    |                                           |
| 99  | VCC   | VCC       | I        | Power supply                                                    |                                           |
| 100 | NC1   | NC1       | -        | Non connection (open)                                           |                                           |
| 101 | NC2   | NC2       | -        | Non connection (open)                                           |                                           |
| 102 | VSS   | VSS       | I        | GND                                                             |                                           |
| 103 | STBYn |           | I        | PULL UP                                                         |                                           |
| 104 | P63   | VR_A01    | O        | A/D input select                                                |                                           |
| 105 | P64   | VR_A02    | O        | A/D input select                                                |                                           |
| 106 | P65   | VR_A03    | O        | A/D input select                                                |                                           |
| B   | 107   | CS0n      | CS0      | O                                                               | Expansion I/O: DP_RAM (FPGA)              |
| 108 | CS1n  | CS1       | O        | Expansion I/O: LED display DATA3                                |                                           |
| 109 | CS2n  | CS2       | O        | Expansion I/O: LED display DATA1                                |                                           |
| 110 | CS3n  | CS3       | O        | Expansion I/O: LED display DATA2                                |                                           |
| 111 | AVCC  | AVCC      | I        | Power supply for A/D                                            |                                           |
| 112 | VREF  | VREF      | I        | Reference voltage input for A/D                                 |                                           |
| 113 | AN0   | VR0       | I        | VRin0 (MIC HIGH, LOW/H.P.MIXING, Volume) input                  |                                           |
| 114 | AN1   | VR1       | I        | VRin1 (CH1: HIGH, MID, LOW, EFFECT) input                       |                                           |
| 115 | AN2   | VR2       | I        | VRin2 (CH2: HIGH, MID, LOW, EFFECT) input                       |                                           |
| 116 | AN3   | VR3       | I        | VRin3 (CH3: HIGH, MID, LOW, EFFECT) input                       |                                           |
| C   | 117   | AN4       | VR4      | I                                                               | VRin4 (CH4: HIGH, MID, LOW, EFFECT) input |
| 118 | AN5   | VR5       | I        | VRin5 (MASTER: LEVEL, BALANCE, /Booth LEVEL/effect DEPTH) input |                                           |
| 119 | AN6   | VR6       | I        | VRin6 (TRIM 1-4) input                                          |                                           |
| 120 | AN7   | CH1_FADER | I        | CH1 fader input                                                 |                                           |
| 121 | AN8   | CH2_FADER | I        | CH2 fader input                                                 |                                           |
| 122 | AN9   | CH3_FADER | I        | CH3 fader input                                                 |                                           |
| 123 | AN10  | CH4_FADER | I        | CH4 fader input                                                 |                                           |
| 124 | AN11  | CRS_FADER | I        | Cross fader input                                               |                                           |
| 125 | AN12  | TAP       | I        | TAP input                                                       |                                           |
| 126 | AN13  | BEAT_EFON | I        | Beat Effect SW                                                  |                                           |
| D   | 127   | AN14      | 4896_SEL | I                                                               | 48K/96K switching input                   |
| 128 | AN15  | RET_IN    | I        | For confirming connection of the return cable                   |                                           |
| 129 | AVSS  | AVSS      | I        | GND for A/D                                                     |                                           |
| 130 | PG4   | EMU_01    | I        | For H8JTAG emulator                                             |                                           |
| 131 | PG5   | EMU_05    | I        | For H8JTAG emulator                                             |                                           |
| 132 | PG6   | EMU_06    | I        | For H8JTAG emulator                                             |                                           |
| 133 | TXD2  | SIO2_TXD  | O        | For SIO2gloup (DAC1-4) DAC_data                                 |                                           |
| 134 | RXD2  | SIO2_RXD  | I        | For SIO2gloup (DAC1-4) DAC_data                                 |                                           |
| 135 | SCK2  | SIO2_SCK  | O        | For SIO2gloup (DAC1-4) DAC_data                                 |                                           |
| 136 | P53   | EMU_02    | I        | For H8JTAG emulator                                             |                                           |
| E   | 137   | SCK1      | SIO1_CLK | O                                                               | For SIO1gloup USB, FPGA, EEPROM, DIT      |
| 138 | SCK0  | FL_CLK    | O        | For FL display                                                  |                                           |
| 139 | RXD1  | SIO1_RXD  | I        | For rewriting RXD & SIO1gloup FPGA, DIT                         |                                           |
| 140 | P32   | P32       | O        | Vacant                                                          |                                           |
| 141 | TXD1  | SIO1_TXD  | O        | For rewriting TXD & SIO1gloup FPGA, DIT                         |                                           |
| 142 | TXD0  | FL_TXD    | O        | For FL display                                                  |                                           |
| 143 | MD0   | MD0       | I        | Mode pin 0 NOR: Mode 4 At rewriting: Mode 3                     |                                           |
| 144 | MD1   | MD1       | I        | Mode pin 1 NOR: Mode 4 At rewriting: Mode 3                     |                                           |

F

## ■ D610A003BPYPA225 (DSP ASSY : IC 22)

• DSP Microcomputer

### ● Pin Function

| No. | Pin Name                  | I/O | IPD/IPU | Pin Function                                            |
|-----|---------------------------|-----|---------|---------------------------------------------------------|
| 1   | GP0[4](EXT_INT4)/AMUTEIN1 | O   | IPU     | DSP state display LED After main operation start, light |
| 2   | GP0[6](EXT_INT6)          | O   | IPU     | TEST pin for DMA                                        |
| 3   | CVDD                      | -   | -       | Power supply                                            |
| 4   | VSS                       | -   | -       | GND                                                     |
| 5   | DVDD                      | -   | -       | Power supply                                            |
| 6   | GP0[5](EXT_INT5)/AMUTEIN0 | O   | IPU     | TEST pin for DMA                                        |
| 7   | GP0[7](EXT_INT7)          | O   | IPU     | TEST pin for DMA                                        |
| 8   | CLKS1/SCL1                | -   | -       | McBSP1 GND                                              |
| 9   | DVDD                      | -   | -       | Power supply                                            |
| 10  | VSS                       | -   | -       | GND                                                     |
| 11  | CVDD                      | -   | -       | Power supply                                            |
| 12  | TINP1/AHCLKX0             | I   | IPD     | McASP0 McASP High frequency transmit bit clock          |
| 13  | TOUT1/AXR0[4]/AXR1[11]    | O   | IPD     | McASP0 H.P. Out                                         |
| 14  | CVDD                      | -   | -       | Power supply                                            |
| 15  | VSS                       | -   | -       | GND                                                     |
| 16  | CLKX0/ACLKX0              | I   | IPD     | McASP0 McASP transmit bit clock                         |
| 17  | TINP0/AXR0[3]/AXR1[12]    | O   | IPD     | McASP0 Send Out                                         |
| 18  | TOUT0/AXR0[2]/AXR1[13]    | O   | IPD     | McASP0 Rec Out                                          |
| 19  | CLKR0/ACLKR0              | I   | IPD     | McASP0 McASP receive bit clock                          |
| 20  | DX0/AXR0[1]/AXR1[14]      | O   | IPU     | McASP0 Booth Out                                        |
| 21  | FSX0/AFSX0                | I   | IPD     | McASP0 McASP transmit LRCLK (FS)                        |
| 22  | CVDD                      | -   | -       | Power supply                                            |
| 23  | VSS                       | -   | -       | GND                                                     |
| 24  | FSR0/AFSR0                | I   | IPD     | McASP0 McASP receive LRCLK (FS)                         |
| 25  | DVDD                      | -   | -       | Power supply                                            |
| 26  | VSS                       | -   | -       | GND                                                     |
| 27  | DR0/AXR0[0]/AXR1[15]      | O   | IPU     | McASP0 Master Out & Digital Out                         |
| 28  | CLKS0/AHCLKR0             | I   | IPD     | McASP0 McASP High frequency receive bit clock           |
| 29  | CVDD                      | -   | -       | Power supply                                            |
| 30  | VSS                       | -   | -       | GND                                                     |
| 31  | FSX1                      | -   | IPD     | McBSP1 Vacant                                           |
| 32  | DX1/AXR0[5]/AXR1[10]      | -   | IPU     | McBSP1 Vacant                                           |
| 33  | CLKX1/AMUTE0              | -   | IPD     | McBSP1 Vacant                                           |
| 34  | VSS                       | -   | -       | GND                                                     |
| 35  | CVDD                      | -   | -       | Power supply                                            |
| 36  | CLKR1/AXR0[6]/AXR1[9]     | -   | IPD     | McBSP1 Vacant                                           |
| 37  | DR1/SDA1                  | -   | -       | McBSP1 Vacant (GND)                                     |
| 38  | FSR1/AXR0[7]/AXR1[8]      | -   | IPD     | McBSP1 Vacant                                           |
| 39  | VSS                       | -   | -       | GND                                                     |
| 40  | CVDD                      | -   | -       | Power supply                                            |
| 41  | SCL0                      | -   | -       | I2C0 Vacant (GND)                                       |
| 42  | SDA0                      | -   | -       | I2C0 Vacant (GND)                                       |
| 43  | CVDD                      | -   | -       | Power supply                                            |
| 44  | DVDD                      | -   | -       | Power supply                                            |
| 45  | VSS                       | -   | -       | GND                                                     |
| 46  | CVDD                      | -   | -       | Power supply                                            |
| 47  | DVDD                      | -   | -       | Power supply                                            |
| 48  | VSS                       | -   | -       | GND                                                     |

IPD = Internal pulldown, IPU = Internal pullup.

A

| No. | Pin Name           | I/O    | IPD/IPU | Pin Function                                  |                                              |
|-----|--------------------|--------|---------|-----------------------------------------------|----------------------------------------------|
| 49  | VSS                | –      | –       | GND                                           |                                              |
| 50  | CVDD               | –      | –       | Power supply                                  |                                              |
| 51  | CVDD               | –      | –       | Power supply                                  |                                              |
| 52  | VSS                | –      | –       | GND                                           |                                              |
| 53  | CVDD               | –      | –       | Power supply                                  |                                              |
| 54  | VSS                | –      | –       | GND                                           |                                              |
| 55  | DVDD               | –      | –       | Power supply                                  |                                              |
| 56  | ARDY               | –      | IPU     | For SD-RAM access (signal) ARDY               |                                              |
| 57  | xCE3               | –      | IPU     | For SD-RAM access (signal) NO ASSIGN          |                                              |
| B   | 58                 | DVDD   | –       | –                                             | Power supply                                 |
| 59  | VSS                | –      | –       | GND                                           |                                              |
| 60  | CVDD               | –      | –       | Power supply                                  |                                              |
| 61  | xCE2               | O      | IPU     | For SD-RAM access (signal)                    |                                              |
| 62  | EA2                | O      | IPU     | For SD-RAM access (address) External address  |                                              |
| 63  | EA3                | O      | IPU     | For SD-RAM access (address) External address  |                                              |
| 64  | EA4                | O      | IPU     | For SD-RAM access (address) External address  |                                              |
| 65  | DVDD               | –      | –       | Power supply                                  |                                              |
| 66  | VSS                | –      | –       | GND                                           |                                              |
| 67  | CVDD               | –      | –       | Power supply                                  |                                              |
| C   | 68                 | EA5    | O       | IPU                                           | For SD-RAM access (address) External address |
| 69  | EA6                | O      | IPU     | For SD-RAM access (address) External address  |                                              |
| 70  | EA7                | O      | IPU     | For SD-RAM access (address) External address  |                                              |
| 71  | EA8                | O      | IPU     | For SD-RAM access (address) External address  |                                              |
| 72  | DVDD               | –      | –       | Power supply                                  |                                              |
| 73  | VSS                | –      | –       | GND                                           |                                              |
| 74  | EA9                | O      | IPU     | For SD-RAM access (address) External address  |                                              |
| 75  | xAOE/xSDRAS/xSSOE  | O      | IPU     | For SD-RAM access (signal) xAOE/xSDRAS/xSSOE  |                                              |
| 76  | EA10               | O      | IPU     | For SD-RAM access (address) External address  |                                              |
| 77  | ECLKOUT            | O      | IPD     | For SD-RAM access (signal) ECLKOUT            |                                              |
| D   | 78                 | ECLKIN | I       | IPD                                           | For SD-RAM access (signal) Vacant (FREE)     |
| 79  | xARE/xSDCAS/xSSADS | I      | IPU     | For SD-RAM access (signal) xARE/xSDCAS/xSSADS |                                              |
| 80  | CVDD               | –      | –       | Power supply                                  |                                              |
| 81  | VSS                | –      | –       | GND                                           |                                              |
| 82  | CLKOUT2/GP0[2]     | –      | IPD     | Vacant (FREE)                                 |                                              |
| 83  | xAWE/xSDWE/xSSWE   | O      | IPU     | For SD-RAM access (signal) xAWE/xSDWE/xSSWE   |                                              |
| 84  | DVDD               | –      | –       | Power supply                                  |                                              |
| 85  | VSS                | –      | –       | GND                                           |                                              |
| 86  | EA11               | O      | IPU     | For SD-RAM access (address) External address  |                                              |
| 87  | DVDD               | –      | –       | Power supply                                  |                                              |
| E   | 88                 | VSS    | –       | –                                             | GND                                          |
| 89  | CVDD               | –      | –       | Power supply                                  |                                              |
| 90  | EA14               | O      | IPU     | For SD-RAM access (address) External address  |                                              |
| 91  | EA13               | O      | IPU     | For SD-RAM access (address) External address  |                                              |
| 92  | EA16               | O      | IPU     | For SD-RAM access (address) External address  |                                              |
| 93  | EA12               | O      | IPU     | For SD-RAM access (address) External address  |                                              |
| 94  | EA15               | O      | IPU     | For SD-RAM access (address) External address  |                                              |
| 95  | EA18               | O      | IPU     | For SD-RAM access (address) External address  |                                              |
| 96  | CVDD               | –      | –       | Power supply                                  |                                              |

IPD = Internal pulldown, IPU = Internal pullup.

F

| No. | Pin Name                | I/O | IPD/IPU | Pin Function                                   |
|-----|-------------------------|-----|---------|------------------------------------------------|
| 97  | VSS                     | –   | –       | GND                                            |
| 98  | DVDD                    | –   | –       | Power supply                                   |
| 99  | EA17                    | O   | IPU     | For SD-RAM access (address) External address   |
| 100 | EA19                    | O   | IPU     | For SD-RAM access (address) External address   |
| 101 | EA20                    | O   | IPU     | For SD-RAM access (address) Vacant (FREE)      |
| 102 | xCE0                    | O   | IPU     | For SD-RAM access (signal) DPRAM (FPGA) ACCESS |
| 103 | xCE1                    | O   | IPU     | For SD-RAM access (signal) FLASH ROM ACCESS    |
| 104 | CVDD                    | –   | –       | Power supply                                   |
| 105 | CVDD                    | –   | –       | Power supply                                   |
| 106 | VSS                     | –   | –       | GND                                            |
| 107 | DVDD                    | –   | –       | Power supply                                   |
| 108 | xBE1                    | –   | IPU     | For SD-RAM access (signal) xBE1                |
| 109 | EA21                    | O   | IPU     | For SD-RAM access (address) Vacant (FREE)      |
| 110 | xBE0                    | –   | IPU     | For SD-RAM access (signal) xBE0                |
| 111 | ED13/GP1[13]            | I/O | IPU     | For SD-RAM access (data) External data bus     |
| 112 | ED15/GP1[15]            | I/O | IPU     | For SD-RAM access (data) External data bus     |
| 113 | ED14/GP1[14]            | I/O | IPU     | For SD-RAM access (data) External data bus     |
| 114 | DVDD                    | –   | –       | Power supply                                   |
| 115 | VSS                     | –   | –       | GND                                            |
| 116 | CVDD                    | –   | –       | Power supply                                   |
| 117 | ED11/GP1[11]            | I/O | IPU     | For SD-RAM access (data) External data bus     |
| 118 | ED12/GP1[12]            | I/O | IPU     | For SD-RAM access (data) External data bus     |
| 119 | ED9/GP1[9]              | I/O | IPU     | For SD-RAM access (data) External data bus     |
| 120 | ED10/GP1[10]            | I/O | IPU     | For SD-RAM access (data) External data bus     |
| 121 | ED6/GP1[6]              | I/O | IPU     | For SD-RAM access (data) External data bus     |
| 122 | ED7/GP1[7]              | I/O | IPU     | For SD-RAM access (data) External data bus     |
| 123 | ED8/GP1[8]              | I/O | IPU     | For SD-RAM access (data) External data bus     |
| 124 | CVDD                    | –   | –       | Power supply                                   |
| 125 | VSS                     | –   | –       | GND                                            |
| 126 | DVDD                    | –   | –       | Power supply                                   |
| 127 | ED4/GP1[4]              | I/O | IPU     | For SD-RAM access (data) External data bus     |
| 128 | ED5/GP1[5]              | I/O | IPU     | For SD-RAM access (data) External data bus     |
| 129 | ED3/GP1[3]              | I/O | IPU     | For SD-RAM access (data) External data bus     |
| 130 | ED2/GP1[2]              | I/O | IPU     | For SD-RAM access (data) External data bus     |
| 131 | ED1/GP1[1]              | I/O | IPU     | For SD-RAM access (data) External data bus     |
| 132 | ED0/GP1[0]              | I/O | IPU     | For SD-RAM access (data) External data bus     |
| 133 | CVDD                    | –   | –       | Power supply                                   |
| 134 | VSS                     | –   | –       | GND                                            |
| 135 | xHINT/GP0[1]            | –   | IPU     | Open(FREE)                                     |
| 136 | BUSREQ                  | –   | IPU     | For SD-RAM access (signal) Vacant (FREE)       |
| 137 | xHOLDA                  | –   | IPU     | For SD-RAM access (signal) Vacant (FREE)       |
| 138 | xHOLD                   | –   | IPU     | For SD-RAM access (signal) Set to "H".         |
| 139 | HHWIL/AFSR1             | I   | IPU     | McASP1 McASP receive LRCLK(FS)                 |
| 140 | xHRDY/ACLKR1            | I   | IPD     | McASP1 McASP receive bit clock                 |
| 141 | DVDD                    | –   | –       | Power supply                                   |
| 142 | VSS                     | –   | –       | GND                                            |
| 143 | HR/W/AXR0[15]/AXR1[0]   | I   | IPU     | McASP1 CH1 IN                                  |
| 144 | HCNTL1/AXR0[14]/AXR1[1] | I   | IPU     | McASP1 CH2 IN                                  |

IPD = Internal pulldown, IPU = Internal pullup.

A

| No. | Pin Name                | I/O | IPD/IPU | Pin Function                                     |
|-----|-------------------------|-----|---------|--------------------------------------------------|
| 145 | xHCS/AXR0[13]/AXR1[2]   | I   | IPU     | McASP1 CH3 IN                                    |
| 146 | HCNTL0/AXR0[12]/AXR1[3] | I   | IPU     | McASP1 CH4 IN                                    |
| 147 | HD0/AXR0[11]/AXR1[4]    | I   | IPU     | McASP1 MIC IN                                    |
| 148 | VSS                     | -   | -       | GND                                              |
| 149 | CVDD                    | -   | -       | Power supply                                     |
| 150 | xHDS2/AXR0[10]/AXR1[5]  | I   | IPU     | McASP1 RETURN IN                                 |
| 151 | xHDS1/AXR0[9]/AXR1[6]   | -   | IPU     | Vacant                                           |
| 152 | HD1/AXR0[8]/AXR1[7]     | O   | IPU     | McASP0 Vacant                                    |
| 153 | xHAS/ACLKX1             | I   | IPU     | McASP1 McASP transmit bit clock                  |
| 154 | HD3/AMUTE1              | O   | IPU     | McASP1 McASP mute output "L"                     |
| 155 | HD2/AFSX1               | I   | IPU     | McASP1 McASP transmit LRCLK (FS)                 |
| 156 | HD4/GP0[0]              | -   | IPD     | MODE "H"                                         |
| 157 | CVDD                    | -   | -       | Power supply                                     |
| 158 | VSS                     | -   | -       | GND                                              |
| 159 | HD5/AHCLKX1             | -   | IPU     | McASP1 McASP High frequency transmit bit clock   |
| 160 | HD8/GP0[8]              | -   | IPU     | Set to "H".                                      |
| 161 | HD6/AHCLKR1             | -   | IPU     | McASP1 McASP receive high-frequency master clock |
| 162 | DVDD                    | -   | -       | Power supply                                     |
| 163 | VSS                     | -   | -       | GND                                              |
| 164 | HD7/GP0[3]              | -   | IPU     | TESTPort Vacant (FREE)                           |
| 165 | HD9/GP0[9]              | -   | IPU     | MODE Vacant (FREE)                               |
| 166 | HD10/GP0[10]            | -   | IPU     | MODE Vacant (FREE)                               |
| 167 | HD11/GP0[11]            | -   | IPU     | MODE Vacant (FREE)                               |
| 168 | HD12/GP0[12]            | -   | IPU     | Vacant (FREE)                                    |
| 169 | CVDD                    | -   | -       | Power supply                                     |
| 170 | VSS                     | -   | -       | GND                                              |
| 171 | CVDD                    | -   | -       | Power supply                                     |
| 172 | HD13/GP0[13]            | -   | IPU     | MODE Vacant (FREE)                               |
| 173 | HD14/GP0[14]            | -   | IPU     | Vacant (GND)                                     |
| 174 | HD15/GP0[15]            | -   | IPU     | Vacant (FREE)                                    |
| 175 | NMI                     | -   | IPD     | Vacant (GND)                                     |
| 176 | xRESET                  | I   | -       | Reset signal                                     |
| 177 | CVDD                    | -   | -       | Power supply                                     |
| 178 | OSCIN                   | -   | -       | Vacant (GND)                                     |
| 179 | OSCOUT                  | -   | -       | Vacant (FREE)                                    |
| 180 | OSCVSS                  | -   | -       | OSC GND                                          |
| 181 | OSCVDD                  | -   | -       | OSC Power supply                                 |
| 182 | VSS                     | -   | -       | GND                                              |
| 183 | DVDD                    | -   | -       | Power supply                                     |
| 184 | CLKOUT3                 | -   | IPD     | Vacant (FREE)                                    |
| 185 | EMU1                    | I/O | IPU     | For JTAG JTAG 14 pin                             |
| 186 | EMU0                    | I/O | IPU     | For JTAG JTAG 13 pin                             |
| 187 | TDO                     | O   | IPU     | For JTAG JTAG 7 pin                              |
| 188 | DVDD                    | -   | -       | Power supply                                     |
| 189 | VSS                     | -   | -       | GND                                              |
| 190 | CVDD                    | -   | -       | Power supply                                     |
| 191 | TDI                     | I   | IPU     | For JTAG JTAG 3 pin                              |
| 192 | TMS                     | I   | IPU     | For JTAG JTAG 1 pin                              |

IPD = Internal pulldown, IPU = Internal pullup.

F

| No. | Pin Name | I/O | IPD/IPU | Pin Function                 |
|-----|----------|-----|---------|------------------------------|
| 193 | TCK      | I   | IPU     | For JTAG JTAG 9 and 11 pins  |
| 194 | VSS      | -   | -       | GND                          |
| 195 | CVDD     | -   | -       | Power supply                 |
| 196 | CVDD     | -   | -       | Power supply                 |
| 197 | xTRST    | I   | IPD     | For JTAG JTAG 2 pin          |
| 198 | RSV2     | -   | IPU     | Vacant (free) non connection |
| 199 | VSS      | -   | -       | GND                          |
| 200 | RSV0     | -   | -       | Vacant (free) non connection |
| 201 | CVDD     | -   | -       | Power supply                 |
| 202 | PLLHV    | -   | -       | Set to "H".                  |
| 203 | RSV1     | -   | IPD     | GND (VSS)                    |
| 204 | CLKIN    | I   | IPD     | Clock input (24.586MHz)      |
| 205 | CLKMODE0 | -   | IPU     | Clock mode selection "H"     |
| 206 | DVDD     | -   | -       | Power supply                 |
| 207 | VSS      | -   | -       | GND                          |
| 208 | CVDD     | -   | -       | Power supply                 |

IPD = Internal pulldown, IPU = Internal pullup.

## ■ XC3S50-4TQG144C (DSP ASSY : IC 13)

• FPGA

### ● Pin Function

| No. | Mark  | Pin Name         | I/O | Pin Function                      |
|-----|-------|------------------|-----|-----------------------------------|
| P1  | DSPA1 | IO_L01P_7/VRN_7  | I   | Address bus 1 with DSP            |
| P2  | DSPA0 | IO_L01N_7/VRP_7  | I   | Address bus 0 with DSP            |
| P3  | Vcc   | VCCO_7           | -   | Power supply                      |
| P4  | NC    | IO/VREF_7        | -   | Not used                          |
| P5  | NC    | IO_L20P_7        | -   | Not used                          |
| P6  | NC    | IO_L20N_7        | -   | Not used                          |
| P7  | NC    | IO_L21P_7        | -   | Not used                          |
| P8  | RXD7  | IO_L21N_7        | I   | Serial receive port 7             |
| P9  | GND   | GND              | -   | GND                               |
| P10 | TXD7  | IO_L22P_7        | O   | Serial receive port 7             |
| P11 | SCK7  | IO_L22N_7        | O   | Serial clock 7                    |
| P12 | RXD6  | IO_L23P_7        | I   | Serial receive port 6             |
| P13 | TXD6  | IO_L23N_7        | O   | Serial receive port 6             |
| P14 | SCK6  | IO_L24P_7        | O   | Serial clock 6                    |
| P15 | NC    | IO_L24N_7        | -   | Not used                          |
| P16 | GND   | GND              | -   | GND                               |
| P17 | NC    | IO_L40P_7        | -   | Not used                          |
| P18 | NC    | IO_L40N_7/VREF_7 | -   | Not used                          |
| P19 | Vcc   | VCCO_7           | -   | Power supply                      |
| P20 | NC    | IO_L40P_6/VREF_6 | -   | Not used                          |
| P21 | RESET | IO_L40N_6        | I   | Reset input                       |
| P22 | GND   | GND              | -   | GND                               |
| P23 | NC    | IO_L24P_6        | -   | Not used                          |
| P24 | NC    | IO_L24N_6/VREF_6 | -   | Not used                          |
| P25 | NC    | IO_L23P_6        | -   | Not used                          |
| P26 | NC    | IO_L23N_6        | -   | Not used                          |
| P27 | μCA10 | IO_L22P_6        | I   | Address bus 10 with microcomputer |
| P28 | μCA9  | IO_L22N_6        | I   | Address bus 9 with microcomputer  |
| P29 | GND   | GND              | -   | GND                               |
| P30 | NC    | IO_L21P_6        | -   | Not used                          |
| P31 | μCA8  | IO_L21N_6        | I   | Address bus 8 with microcomputer  |
| P32 | μCA7  | IO_L20P_6        | I   | Address bus 7 with microcomputer  |
| P33 | μCA6  | IO_L20N_6        | I   | Address bus 6 with microcomputer  |
| P34 | Vcc   | VCCO_6           | -   | Power supply                      |
| P35 | μCA5  | IO_L01P_6/VRN_6  | I   | Address bus 5 with microcomputer  |
| P36 | μCA4  | IO_L01N_6/VRP_6  | I   | Address bus 4 with microcomputer  |
| P37 | M1    | M1               | -   | M1                                |
| P38 | M0    | M0               | -   | M0                                |
| P39 | M2    | M2               | -   | M2                                |
| P40 | μCA3  | IO_L01P_5/CS_B   | I   | Address bus 3 with microcomputer  |
| P41 | μCA2  | IO_L01N_5/RDWR_B | I   | Address bus 2 with microcomputer  |
| P42 | GND   | GND              | -   | GND                               |
| P43 | Vcc   | VCCO_5           | -   | Power supply                      |
| P44 | μCA1  | IO/VREF_5        | I   | Address bus 1 with microcomputer  |
| P45 | GND   | GND              | -   | GND                               |
| P46 | μCA0  | IO_L28P_5/D7     | I   | Address bus 0 with microcomputer  |
| P47 | μCCS  | IO_L28N_5/D6     | I   | Chip select with microcomputer    |
| P48 | Vcc   | VCCAUX           | -   | Power supply                      |



| No. | Mark   | Pin Name            | I/O | Pin Function                    |
|-----|--------|---------------------|-----|---------------------------------|
| P49 | Vcc    | VCCINT              | -   | Power supply                    |
| P50 | μCRD   | IO_L31P_5/D5        | I   | Read signal with microcomputer  |
| P51 | μCWR   | IO_L31N_5/D4        | I   | Write signal with microcomputer |
| P52 | μCD15  | IO_L32P_5/GCLK2     | I/O | Data bus 15 with microcomputer  |
| P53 | μCD14  | IO_L32N_5/GCLK3     | I/O | Data bus 14 with microcomputer  |
| P54 | Vcc    | VCCO_5              | -   | Power supply                    |
| P55 | μCD13  | IO_L32P_4/GCLK0     | I/O | Data bus 13 with microcomputer  |
| P56 | μCD12  | IO_L32N_4/GCLK1     | I/O | Data bus 12 with microcomputer  |
| P57 | NC     | IO_L31P_4/DOUT/BUSY | -   | Not used                        |
| P58 | NC     | IO_L31N_4/INIT_B    | -   | Not used                        |
| P59 | μCD11  | IO_L30P_4/D3        | I/O | Data bus 11 with microcomputer  |
| P60 | μCD10  | IO_L30N_4/D2        | I/O | Data bus 10 with microcomputer  |
| P61 | Vcc    | VCCINT              | -   | Power supply                    |
| P62 | Vcc    | VCCAUX              | -   | Power supply                    |
| P63 | μCD9   | IO_L27P_4/D1        | I/O | Data bus 9 with microcomputer   |
| P64 | GND    | GND                 | -   | GND                             |
| P65 | DATA   | IO_L27N_4/DIN/D0    | -   | DATA (for download)             |
| P66 | Vcc    | VCCO_4              | -   | Power supply                    |
| P67 | GND    | GND                 | -   | GND                             |
| P68 | μCD8   | IO_L01P_4/VRN_4     | I/O | Data bus 8 with microcomputer   |
| P69 | μCD7   | IO_L01N_4/VRP_4     | I/O | Data bus 7 with microcomputer   |
| P70 | μCD6   | IO/VREF_4           | I/O | Data bus 6 with microcomputer   |
| P71 | DONE   | DONE                | -   | DONE signal                     |
| P72 | CCLK   | CCLK                | -   | CCLK signal                     |
| P73 | μCD5   | IO_L01P_3/VRN_3     | I/O | Data bus 5 with microcomputer   |
| P74 | μCD4   | IO_L01N_3/VRP_3     | I/O | Data bus 4 with microcomputer   |
| P75 | Vcc    | VCCO_3              | -   | Power supply                    |
| P76 | μCD3   | IO                  | I/O | Data bus 3 with microcomputer   |
| P77 | μCD2   | IO_L20P_3           | I/O | Data bus 2 with microcomputer   |
| P78 | μCD1   | IO_L20N_3           | I/O | Data bus 1 with microcomputer   |
| P79 | μCD0   | IO_L21P_3           | I/O | Data bus 0 with microcomputer   |
| P80 | NC     | IO_L21N_3           | -   | NC                              |
| P81 | GND    | GND                 | -   | GND                             |
| P82 | NC     | IO_L22P_3           | -   | NC                              |
| P83 | NC     | IO_L22N_3           | -   | NC                              |
| P84 | GPIO17 | IO_L23P_3/VREF_3    | O   | I/O port 7 (CH4 fader stop)     |
| P85 | GPIO16 | IO_L23N_3           | O   | I/O port 6 (CH4 fader start)    |
| P86 | GPIO15 | IO_L24P_3           | O   | I/O port 5 (CH3 fader stop)     |
| P87 | GPIO14 | IO_L24N_3           | O   | I/O port 4 (CH3 fader start)    |
| P88 | GND    | GND                 | -   | GND                             |
| P89 | GPIO13 | IO_L40P_3           | O   | I/O port 3 (CH2 fader stop)     |
| P90 | GPIO12 | IO_L40N_3/VREF_3    | O   | I/O port 2 (CH2 fader start)    |
| P91 | Vcc    | VCCO_3              | -   | Power supply                    |
| P92 | GPIO11 | IO_L40P_2/VREF_2    | O   | I/O port 1 (CH1 fader stop)     |
| P93 | GPIO10 | IO_L40N_2           | O   | I/O port 0 (CH1 fader start)    |
| P94 | GND    | GND                 | -   | GND                             |
| P95 | NC     | IO_L24P_2           | -   | NC                              |
| P96 | NC     | IO_L24N_2           | -   | NC                              |

A

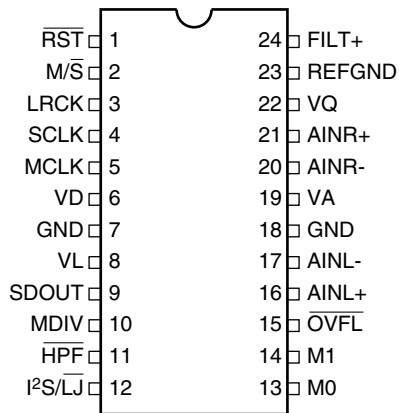
| No.  | Mark     | Pin Name         | I/O | Pin Function            |
|------|----------|------------------|-----|-------------------------|
| P97  | DSPD0    | IO_L23P_2        | I/O | Data bus 0 with DSP     |
| P98  | DSPD1    | IO_L23N_2/VREF_2 | I/O | Data bus 1 with DSP     |
| P99  | DSPD2    | IO_L22P_2        | I/O | Data bus 2 with DSP     |
| P100 | DSPD3    | IO_L22N_2        | I/O | Data bus 3 with DSP     |
| P101 | GND      | GND              | -   | GND                     |
| P102 | DSPD5    | IO_L21P_2        | I/O | Data bus 5 with DSP     |
| P103 | DSPD4    | IO_L21N_2        | I/O | Data bus 4 with DSP     |
| P104 | DSPD8    | IO_L20P_2        | I/O | Data bus 8 with DSP     |
| P105 | DSPD7    | IO_L20N_2        | I/O | Data bus 7 with DSP     |
| P106 | Vcc      | VCCO_2           | -   | Power supply            |
| P107 | DSPD6    | IO_L01P_2/VRN_2  | I/O | Data bus 6 with DSP     |
| P108 | DSPD10   | IO_L01N_2/VRP_2  | I/O | Data bus 10 with DSP    |
| P109 | NC       | TDO              | -   | NC                      |
| P110 | NC       | TCK              | -   | NC                      |
| P111 | NC       | TMS              | -   | NC                      |
| P112 | DSPD9    | IO_L01P_1/VRN_1  | I/O | Data bus 9 with DSP     |
| P113 | DSPD12   | IO_L01N_1/VRP_1  | I/O | Data bus 12 with DSP    |
| P114 | GND      | GND              | -   | GND                     |
| P115 | Vcc      | VCCO_1           | -   | Power supply            |
| P116 | DSPD11   | IO               | I/O | Data bus 11 with DSP    |
| P117 | GND      | GND              | -   | GND                     |
| P118 | DSPD14   | IO_L28P_1        | I/O | Data bus 14 with DSP    |
| P119 | DSPD15   | IO_L28N_1        | I/O | Data bus 15 with DSP    |
| P120 | Vcc      | VCCAUX           | -   | Power supply            |
| P121 | Vcc      | VCCINT           | -   | Power supply            |
| P122 | DSPD13   | IO_L31P_1        | I/O | Data bus 13 with DSP    |
| P123 | DSPCS    | IO_L31N_1/VREF_1 | I   | Chip select from DSP    |
| P124 | DSPA10   | IO_L32P_1/GCLK4  | I   | Address bus 10 with DSP |
| P125 | DSPA9    | IO_L32N_1/GCLK5  | I   | Address bus 9 with DSP  |
| P126 | Vcc      | VCCO_1           | -   | Power supply            |
| P127 | DSPWE    | IO_L32P_0/GCLK6  | I   | DSP write signal        |
| P128 | CLK      | IO_L32N_0/GCLK7  | I   | Clock input             |
| P129 | DSPA8    | IO_L31P_0/VREF_0 | I   | Address bus 8 with DSP  |
| P130 | DSPRD    | IO_L31N_0        | I   | DSP read signal         |
| P131 | DSPA7    | IO_L30P_0        | I   | Address bus 7 with DSP  |
| P132 | DSPA6    | IO_L30N_0        | I   | Address bus 6 with DSP  |
| P133 | Vcc      | VCCINT           | -   | Power supply            |
| P134 | Vcc      | VCCAUX           | -   | Power supply            |
| P135 | DSPA5    | IO_L27P_0        | I   | Address bus 5 with DSP  |
| P136 | GND      | GND              | -   | GND                     |
| P137 | DSPA4    | IO_L27N_0        | I   | Address bus 4 with DSP  |
| P138 | Vcc      | VCCO_0           | -   | Power supply            |
| P139 | GND      | GND              | -   | GND                     |
| P140 | DSPA3    | IO_L01P_0/VRN_0  | I   | Address bus 3 with DSP  |
| P141 | DSPA2    | IO_L01N_0/VRP_0  | I   | Address bus 2 with DSP  |
| P142 | HSWAP_EN | HSWAP_EN         | -   | HSWAP_EN                |
| P143 | PROG_B   | PROG_B           | -   | PROG_B (XPGM)           |
| P144 | NC       | TDI              | -   | Not used                |

F

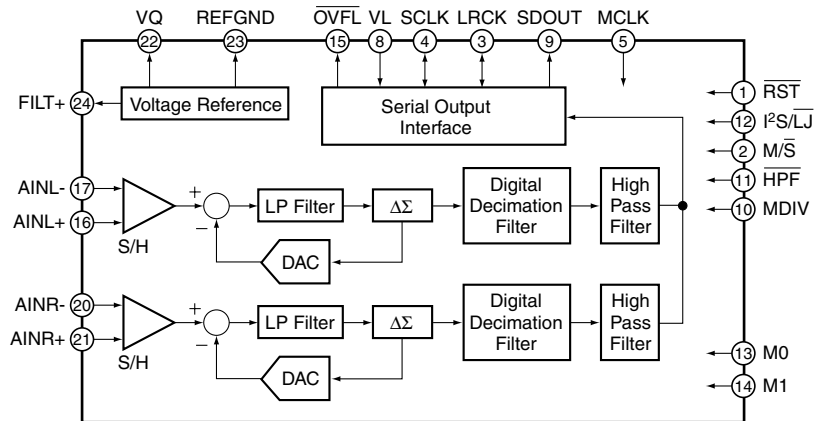
## CS5361 (INPUT ASSY : IC409, IC509, IC609, IC709)

• Audio A/D Converter

### ● Pin Arrangement (Top view)



### ● Block Diagram



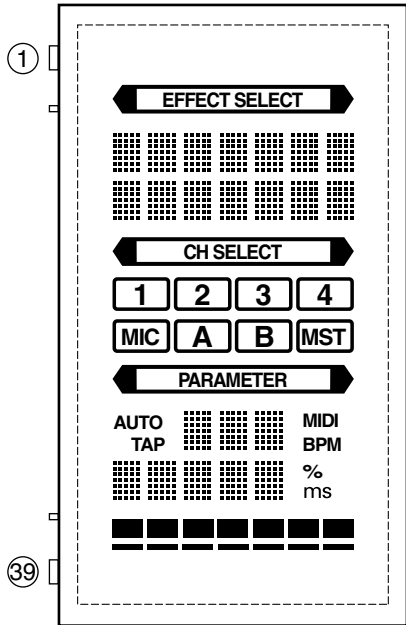
### ● Pin Function

| No. | Pin Name            | I/O | Pin Function                                                                             |
|-----|---------------------|-----|------------------------------------------------------------------------------------------|
| 1   | RST                 | I   | Reset input The device enters a low power mode when low.                                 |
| 2   | M/S                 | I   | Master/Slave mode input                                                                  |
| 3   | LRCK                | I/O | LR clock input/output                                                                    |
| 4   | SCLK                | I/O | Serial clock input/output                                                                |
| 5   | MCLK                | I   | Master clock input                                                                       |
| 6   | VD                  | I   | Digital power input                                                                      |
| 7   | GND                 | I   | Ground input Must be connected to analog ground.                                         |
| 8   | VL                  | I   | Logic power input                                                                        |
| 9   | SDOUT               | O   | Serial audio data output                                                                 |
| 10  | MDIV                | I   | MCLK divider input                                                                       |
| 11  | HPF                 | I   | High-pass filter enable input                                                            |
| 12  | I <sup>2</sup> S/LJ | I   | Serial audio interface format select input                                               |
| 13  | M0                  | I   | Mode selection input                                                                     |
| 14  | M1                  | I   |                                                                                          |
| 15  | OVFL                | O   | Overflow output, open drain                                                              |
| 16  | AINL+               | I   | Differential left channel analog input                                                   |
| 17  | AINL-               | I   |                                                                                          |
| 18  | GND                 | I   | Ground input Must be connected to analog ground.                                         |
| 19  | VA                  | I   | Analog power input                                                                       |
| 20  | AINR-               | I   | Differential right channel analog input                                                  |
| 21  | AINR+               | I   |                                                                                          |
| 22  | VQ                  | O   | Quiescent voltage output Filter connection for the internal quiescent reference voltage. |
| 23  | REF_GND             | I   | Reference ground input                                                                   |
| 24  | FILT+               | O   | Positive voltage reference output                                                        |

# DEL1061 (PANEL 2 ASSY : V2101)

A • FL Display

## • Pin Arrangement



## • Pin Connection

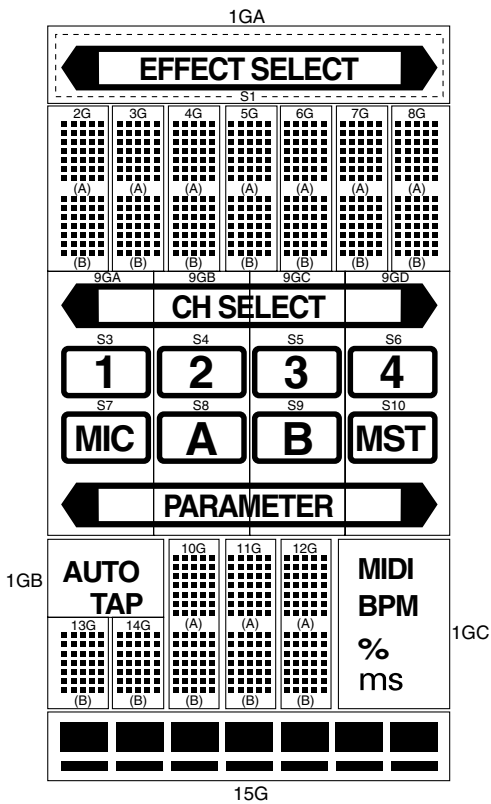
| Pin No.    | 39 | 38 | 37 | 36 | 35 | 34   | 33   | 32 | 31  | 30 |
|------------|----|----|----|----|----|------|------|----|-----|----|
| Connection | F- | NX | NX | NP | NP | LGND | PGND | VH | VDD | BK |

| Pin No.    | 29  | 28  | 27 | 26-6 | 5  | 4  | 3  | 2  | 1  |
|------------|-----|-----|----|------|----|----|----|----|----|
| Connection | LAT | CLK | SI | NX   | NP | NP | NX | NX | F+ |

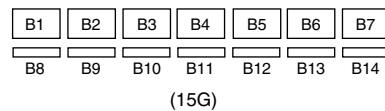
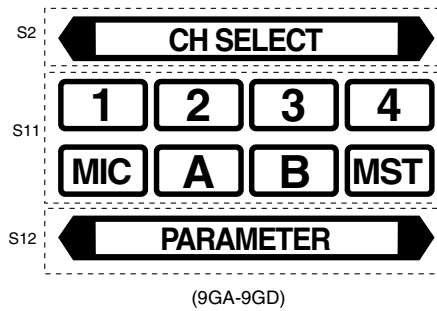
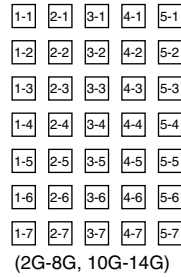
NOTE:

- 1) F-, F+ : Filament
- 2) NP : No pin
- 3) NX : No extend pin
- 4) DL : Datum Line
- 5) LGND : Logic GND pin
- 6) PGND : Power GND pin
- 7) VH : High Voltage Supply pin
- 8) VDD : Logic Voltage Supply pin
- 9) BK : Driver Output Blanking
- 10) LAT : Latch Control Input
- 11) CLK : Shift Register Clock
- 12) SI : Serial Data Input
- 13) Solder composition is Sn-3Ag-0.5Cu.

## • Grid Assignment



## • Segment Designation



● Anode Connection

|     | 1GA-C | 2G-8G | 9GA-D | 10G-12G | 13G, 14G | 15G |
|-----|-------|-------|-------|---------|----------|-----|
| P1  | -     | 5-7B  | S2    | 5-7B    | 5-7B     | B1  |
| P2  | -     | 4-7B  | S3    | 4-7B    | 4-7B     | B2  |
| P3  | -     | 3-7B  | S4    | 3-7B    | 3-7B     | B3  |
| P4  | -     | 2-7B  | S5    | 2-7B    | 2-7B     | B4  |
| P5  | -     | 1-7B  | S6    | 1-7B    | 1-7B     | B5  |
| P6  | -     | 5-6B  | S7    | 5-6B    | 5-6B     | B6  |
| P7  | -     | 4-6B  | S8    | 4-6B    | 4-6B     | B7  |
| P8  | -     | 3-6B  | S9    | 3-6B    | 3-6B     | B8  |
| P9  | -     | 2-6B  | S10   | 2-6B    | 2-6B     | B9  |
| P10 | -     | 1-6B  | S11   | 1-6B    | 1-6B     | B10 |
| P11 | -     | 5-5B  | S12   | 5-5B    | 5-5B     | B11 |
| P12 | -     | 4-5B  | -     | 4-5B    | 4-5B     | B12 |
| P13 | -     | 3-5B  | -     | 3-5B    | 3-5B     | B13 |
| P14 | -     | 2-5B  | -     | 2-5B    | 2-5B     | B14 |
| P15 | -     | 1-5B  | -     | 1-5B    | 1-5B     | -   |
| P16 | -     | 5-4B  | -     | 5-4B    | 5-4B     | -   |
| P17 | -     | 4-4B  | -     | 4-4B    | 4-4B     | -   |
| P18 | -     | 3-4B  | -     | 3-4B    | 3-4B     | -   |
| P19 | -     | 2-4B  | -     | 2-4B    | 2-4B     | -   |
| P20 | -     | 1-4B  | -     | 1-4B    | 1-4B     | -   |
| P21 | -     | 5-3B  | -     | 5-3B    | 5-3B     | -   |
| P22 | -     | 4-3B  | -     | 4-3B    | 4-3B     | -   |
| P23 | -     | 3-3B  | -     | 3-3B    | 3-3B     | -   |
| P24 | -     | 2-3B  | -     | 2-3B    | 2-3B     | -   |
| P25 | -     | 1-3B  | -     | 1-3B    | 1-3B     | -   |
| P26 | -     | 5-2B  | -     | 5-2B    | 5-2B     | -   |
| P27 | -     | 4-2B  | -     | 4-2B    | 4-2B     | -   |
| P28 | -     | 3-2B  | -     | 3-2B    | 3-2B     | -   |
| P29 | -     | 22B   | -     | 22B     | 22B      | -   |
| P30 | -     | 1-2B  | -     | 1-2B    | 1-2B     | -   |
| P31 | -     | 5-1B  | -     | 5-1B    | 5-1B     | -   |
| P32 | -     | 4-1B  | -     | 4-1B    | 4-1B     | -   |
| P33 | -     | 3-1B  | -     | 3-1B    | 3-1B     | -   |
| P34 | ms    | 2-1B  | -     | 2-1B    | 2-1B     | -   |
| P35 | %     | 1-1B  | -     | 1-1B    | 1-1B     | -   |

● Anode Connection

A

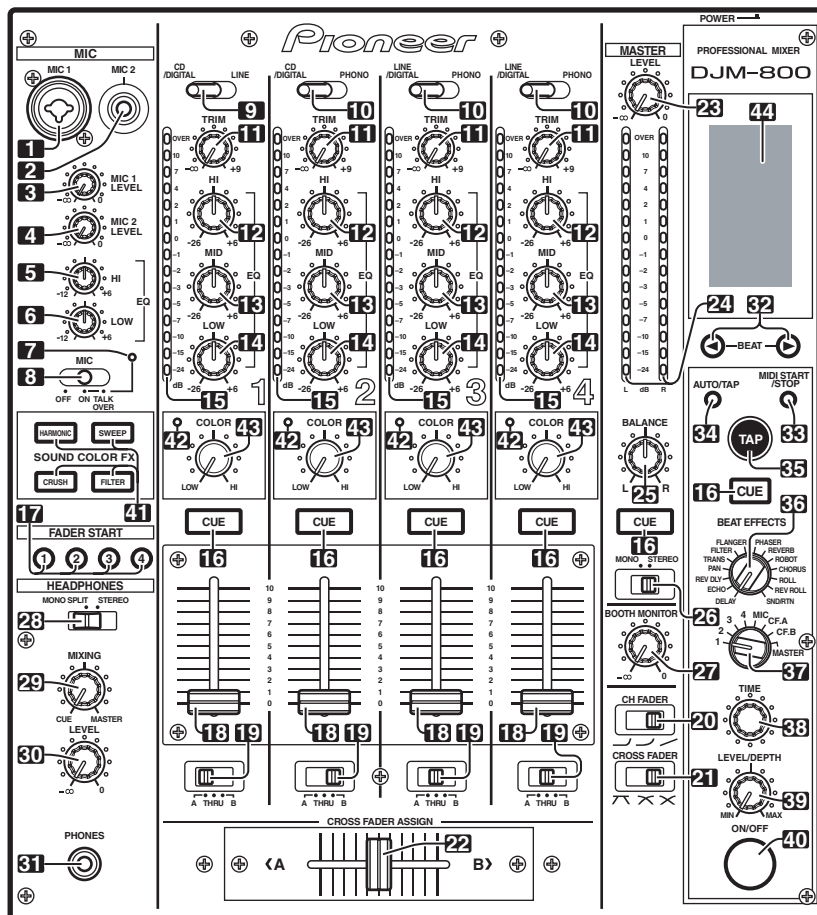
|     | 1GA-C | 2G-8G | 9GA-D | 10G-12G | 13G, 14G | 15G |
|-----|-------|-------|-------|---------|----------|-----|
| P36 | –     | 5-7A  | –     | 5-7A    | –        | –   |
| P37 | –     | 4-7A  | –     | 4-7A    | –        | –   |
| P38 | –     | 3-7A  | –     | 3-7A    | –        | –   |
| P39 | –     | 2-7A  | –     | 2-7A    | –        | –   |
| P40 | –     | 1-7A  | –     | 1-7A    | –        | –   |
| P41 | –     | 5-6A  | –     | 5-6A    | –        | –   |
| P42 | –     | 4-6A  | –     | 4-6A    | –        | –   |
| P43 | –     | 3-6A  | –     | 3-6A    | –        | –   |
| P44 | –     | 2-6A  | –     | 2-6A    | –        | –   |
| P45 | –     | 1-6A  | –     | 1-6A    | –        | –   |
| P46 | –     | 5-5A  | –     | 5-5A    | –        | –   |
| P47 | –     | 4-5A  | –     | 4-5A    | –        | –   |
| P48 | –     | 3-5A  | –     | 3-5A    | –        | –   |
| P49 | –     | 2-5A  | –     | 2-5A    | –        | –   |
| P50 | –     | 1-5A  | –     | 1-5A    | –        | –   |
| P51 | –     | 5-4A  | –     | 5-4A    | –        | –   |
| P52 | –     | 4-4A  | –     | 4-4A    | –        | –   |
| P53 | –     | 3-4A  | –     | 3-4A    | –        | –   |
| P54 | –     | 2-4A  | –     | 2-4A    | –        | –   |
| P55 | –     | 1-4A  | –     | 1-4A    | –        | –   |
| P56 | –     | 5-3A  | –     | 5-3A    | –        | –   |
| P57 | –     | 4-3A  | –     | 4-3A    | –        | –   |
| P58 | –     | 3-3A  | –     | 3-3A    | –        | –   |
| P59 | –     | 2-3A  | –     | 2-3A    | –        | –   |
| P60 | –     | 1-3A  | –     | 1-3A    | –        | –   |
| P61 | –     | 5-2A  | –     | 5-2A    | –        | –   |
| P62 | –     | 4-2A  | –     | 4-2A    | –        | –   |
| P63 | –     | 3-2A  | –     | 3-2A    | –        | –   |
| P64 | –     | 2-2A  | –     | 2-2A    | –        | –   |
| P65 | –     | 1-2A  | –     | 1-2A    | –        | –   |
| P66 | BPM   | 5-1A  | –     | 5-1A    | –        | –   |
| P67 | MIDI  | 4-1A  | –     | 4-1A    | –        | –   |
| P68 | TAP   | 3-1A  | –     | 3-1A    | –        | –   |
| P69 | AUTO  | 2-1A  | –     | 2-1A    | –        | –   |
| P70 | S1    | 1-1A  | –     | 1-1A    | –        | –   |

E

F

# 8. PANEL FACILITES

## OPERATION PANEL



### NAMES AND FUNCTIONS OF PARTS (OPERATION PANEL\_1)

#### Microphone input control section

- 1. Microphone 1 input jack (MIC 1)**  
Use to connect a microphone with an XLR or phone plug.
- 2. Microphone 2 input jack (MIC 2)**  
Use to connect a microphone with a phone plug.
- 3. Microphone 1 level control dial (MIC 1 LEVEL)**  
Use to adjust the volume of microphone 1. (adjustable range  $-\infty$  to 0 dB)
- 4. Microphone 2 level control dial (MIC 2 LEVEL)**  
Use to adjust the volume of microphone 2. (adjustable range  $-\infty$  to 0 dB)
- 5. Microphone equalizer high-range control dial (HI)**  
Use to adjust the treble (high-range) frequencies of microphones 1 and 2. (adjustable range  $-12$  dB to  $+6$  dB)
- 6. Microphone equalizer low-range control dial (LOW)**  
Use to adjust the bass (low-range) frequencies of microphones 1 and 2. (adjustable range  $-12$  dB to  $+6$  dB)
- 7. Microphone function indicator**  
Lights when microphone is ON; flashes when TALK OVER is ON.

#### 8. Microphone function selector switch (MIC)

- OFF:**  
No microphone sound is output.
- ON:**  
Microphone sound is output normally.
- TALK OVER:**  
Microphone sound is output; when sound is input to a connected microphone, the TALK OVER function operates and all sound other than that from the microphone is attenuated by 20 dB.

#### Channel input control section

- 9. Channel 1 input selector switch**  
CD/DIGITAL:  
Use to select CD input connectors (line level analog input) or DIGITAL input connectors.  
LINE:  
Use to select LINE input connectors.
- 10. Channel 2 to 4 input selector switches**  
CD/DIGITAL (channel 2) :  
Use to select CD input connectors (line level analog input) or DIGITAL input connectors.  
LINE/DIGITAL (channel 3 to 4):  
Use to select LINE input connectors (line level analog input) or DIGITAL input connectors.  
PHONO:  
Use to select PHONO input connectors (analog turntableinput).

## NAMES AND FUNCTIONS OF PARTS (OPERATION PANEL\_2)

### 11. TRIM adjust dial

Use to adjust the input level for each channel. (adjustable range:  $-\infty$  to +9 dB, mid-position is about 0 dB)

### 12. Channel equalizer high-range adjust dial (HI)

Use to adjust the treble (high-range) frequency sound for each channel. (adjustable range: -26 dB to +6 dB)

### 13. Channel equalizer mid-range adjust dial (MID)

Use to adjust the mid-range frequency sound for each channel. (adjustable range: -26 dB to +6 dB)

### 14. Channel equalizer low-range adjust dial (LOW)

Use to adjust the bass (low-range) frequency sound for each channel. (adjustable range: -26 dB to +6 dB)

### 15. Channel level indicator

Displays the current level for each channel, with two-second peak hold.

### 16. Headphone CUE buttons/indicators

These buttons are used to select from channel 1 to 4, MASTER, or effector, to allow you to monitor the desired source through headphones. If multiple buttons are pressed simultaneously, the selected audio sources are mixed. Press the button once more to cancel the selected source. Unselected buttons glow darkly, while selected source buttons light brightly.

#### Fader control section

### 17. Fader start button/indicator (FADER START 1 to 4)

Enables the fader start/back cue function for the channel to which a DJ CD player is connected. The button lights when set to ON. When enabled, the operation differs depending on the setting of the **CROSS FADER ASSIGN** switch.

- When the **CROSS FADER ASSIGN** switch is set to the [A] or [B] position, fader start button operation is linked to the operation of the cross fader (and unlinked to channel fader).
- When the **CROSS FADER ASSIGN** switch is set to the [THRU] position, fader start button operation is linked to the operation of the channel fader (and unlinked to cross fader).

### 18. Channel fader lever

Use to adjust sound volumes for each channel. (adjustable range:  $-\infty$  to 0 dB)

Output is in accordance with the channel fader curve selected with the **CH FADER** curve switch.

### 19. CROSS FADER ASSIGN switch

This switch assigns each channel's output to either right or left side of the cross fader (if multiple channels are assigned to the same side, the result will be the combined sum of the channels).

**A:**

The selected channel is assigned to the cross fader's A (left) side.

**THRU:**

The channel fader's output is sent as is to the master output, without being passed through the cross fader.

**B:**

The selected channel is assigned to the cross fader's B (right) side.

### 20. Channel fader curve switch (CH FADER)

This switch allows the user to select from three types of channel fader curve response. This setting is applied equally to channels 1 to 4.

- At the left setting, the curve operates to produce a rapid rise as the channel fader approaches its distant position.
- At the right setting, the curve operates to produce an even, neutral rise throughout the channel fader's movement.
- At the middle setting, an intermediate curve is produced, midway between the two curves noted above.

### 21. Cross fader curve switch (CROSS FADER)

This switch allows the user to select from three types of cross fader curve response.

- At the left setting, the curve produces a rapid signal rise. (As soon as the cross fader lever leaves the [A] side, the [B] channel sound is produced.)
- At the right setting, the curve operates to produce an even, neutral rise throughout the cross fader's movement.
- At the middle setting, an intermediate curve is produced, midway between the two curves noted above.

### 22. Cross fader lever

Outputs sound assigned to [A] and [B] sides in accordance with setting of the **CROSS FADER ASSIGN** switch, and subject to the cross fader curve selected with the **CROSS FADER** curve switch.

#### Master output control section

### 23. Master output level dial (MASTER LEVEL)

Use to adjust the master output level. (adjustable range:  $-\infty$  to 0 dB)

The master output is the sum combination of the sound from channels set to [THRU] with the **CROSS FADER ASSIGN** switch; the signal passed through the cross fader; and the signals from microphone 1 and microphone 2 (if the effect selector is set to [SND/RTN], the **RETURN** input is also added).

### 24. Master level indicator (MASTER L, R)

These segment indicators display the output level from L and R channels. The indicators have a two-second peak hold.

### 25. Master balance dial (BALANCE)

Use to adjust the L/R channel balance for master output, booth monitor output, recording output, and digital output.

### 26. Master output STEREO/MONO selector switch

When set to [MONO], the master output becomes a monaural combination of L+R.

#### Booth monitor control section

### 27. BOOTH MONITOR level control dial

This dial is used to adjust the booth monitor output volume. The volume can be adjusted independently of the master output level. (adjustable range:  $-\infty$  to 0 dB)

#### Headphones output section

### 28. Headphones output switch (MONO SPLIT/STEREO)

**MONO SPLIT:**

The audio source selected with the headphone **CUE** button is output to the L channel, and the master audio is output to the R channel (only when headphone **CUE** button is used to select [MASTER]).

**STEREO:**

The audio source selected with the headphone **CUE** button is output in stereo.

### 29. Headphones mixing dial (MIXING)

When rotated clockwise (toward [MASTER]), the master output audio is produced at the headphones (only when [MASTER] has been selected with the headphones **CUE** button); when rotated counterclockwise (toward [CUE]), the headphones output becomes the mixture of the effect monitor and the channel selected with the headphone **CUE** button.



## NAMES AND FUNCTIONS OF PARTS (OPERATION PANEL\_3)

### 30. Headphones level adjust dial (LEVEL)

Adjusts the output level of the headphones jack. (adjustable range:  $-\infty$  to 0 dB)

### 31. Headphones jack (PHONES)

#### BPM counter section

### 32. Beat select buttons (BEAT)

(Beat up): Doubles the calculated BPM.

(Beat down): Halves the calculated BPM.

- Some effects can be set for "3/4".

### 33. MIDI start/stop button (MIDI START/STOP)

Use to alternate the MIDI control function between start and stop .

When this control is enabled, the [MIDI START (STOP)] message appears for two seconds on the display.

#### MIDI SNAP SHOT:

When the MIDI START/STOP button is held depressed, a snapshot is sent to the external MIDI component.

### 34. BPM measuring mode button (AUTO/TAP)

Each time the button is pressed, the BPM measuring mode alternates between [AUTO] and [TAP].

#### AUTO:

The display's [AUTO] indicator lights, and the BPM is automatically calculated.

#### TAP:

The display's [TAP] indicator lights, and the BPM is calculated manually by TAP button input.

### 35. TAP button

The BPM is calculated from the intervals at which the TAP button is struck. If the TAP button is pressed in the AUTO mode, the mode automatically switches to the TAP mode (manual input).

#### Beat effect section

### 36. Effect selector (DELAY, ECHO, REV DLY (REVERSE DELAY), PAN, TRANS, FILTER, FLANGER, PHASER, REVERB, ROBOT (ROBOT VOCODER), CHORUS, ROLL, REV ROLL (REVERSE ROLL), SND/RTN (SEND/RETURN))

Use to select desired type of effect.

When using an external effector connected to the SEND and RETURN connectors, set to the [SND/RTN] position.

### 37. Effect channel selector (1, 2, 3, 4, MIC, CF.A, CF.B, MASTER)

Use to select the channel to which effects are applied.

When [MIC] is selected, effects are applied to both microphone 1 and microphone 2.

### 38. Effect parameter 1 dial [TIME (PARAMETER 1)]

Adjusts time parameter for selected effect .

If the TIME dial is rotated while depressing the TAP button, direct BPM can be set manually.

If the TIME dial is rotated while holding the TAP button and AUTO/TAP buttons depressed, the BPM can be set in 0.1 units.

### 39. Effect parameter 2 dial [LEVEL/DEPTH (PARAMETER 2)]

Adjusts quantitative parameters for selected effect .

### 40. Effect button/indicator (ON/OFF)

Sets selected effect ON/OFF. Whenever power is first turned ON, effects default to OFF and the button is lighted. When effects are enabled (ON), the button flashes.

#### Sound-color effects section

### 41. Sound-color effect select buttons/indicators (HARMONIC, SWEEP, FILTER, CRUSH)

Use to select and enable/disable sound-color effects .

The button for the selected function will flash, and the effect will be applied equally to channels 1 to 4. When the flashing button is pressed, it lights steadily and the effect turns OFF. When power is first turned on, all effects default to OFF (indicators are lighted).

### 42. Harmonic Indicators

When [HARMONIC] is turned ON, these indicators light and the color of the indicator changes in accord with the status of the effect .

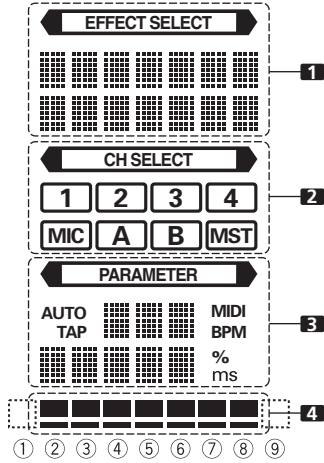
### 43. Sound-color effect parameter dial (COLOR)

Used to adjust quantitative parameters for the effect selected with the sound-color effect selector buttons.

### 44. Display

**NAMES AND FUNCTIONS OF PARTS (DISPLAY SECTION)**

**DISPLAY SECTION**



**1. Effects display section**

The <EFFECT SELECT> indicator lights constantly, and the alpha-numeric display (seven characters in two lines) indicates the name of the effect as shown below. Also, when one of the change operations is performed as noted in the table, the corresponding characters are displayed for two seconds, after which the display returns to the original effect name.

| Switching Operation | Upper/<br>Lower Row | Display |
|---------------------|---------------------|---------|
| At MIDI start       | Upper               | MIDI    |
|                     | Lower               | START   |
| At MIDI stop        | Upper               | MIDI    |
|                     | Lower               | STOP    |
| MIDI snapshot       | Upper               | SNAP    |
|                     | Lower               | SHOT    |

**2. Channel select display section**

The <CH SELECT> indicator lights constantly, and a red frame lights around the number position corresponding to the chosen effect channel selector.

**3. Parameter display section**

<PARAMETER>:

The <PARAMETER> indicator lights constantly.

**AUTO/TAP:**

[AUTO] lights when the BPM measuring mode is set to AUTO, and [TAP] lights when the BPM measuring mode is set to manual (TAP).

**BPM counter display (3 digits):**

In AUTO mode, displays the automatically detected BPM value. If the BPM count cannot be detected automatically, the display will flash at the previously detected value. In manual (TAP) mode, displays the BPM value designated by TAP input, etc.

**BPM:**

Lights constantly.

**MIDI:**

Displays the MIDI start/stop status.

Indicator lights after MIDI start command has been sent.

Indicator goes out after MIDI stop command has been sent.

**Parameter 1 display (5 digits):**

Displays parameters designated for each effect. When the beat select buttons (BEAT ◀, ▶) are pressed, the corresponding beat multiple change is displayed for one second. If the beat select buttons (BEAT ◀, ▶) are used to designate a value outside the parameter range, the current number will flash but will not change.

**Unit Display (%/ms):**

Lights in accordance with the unit used for each effect.

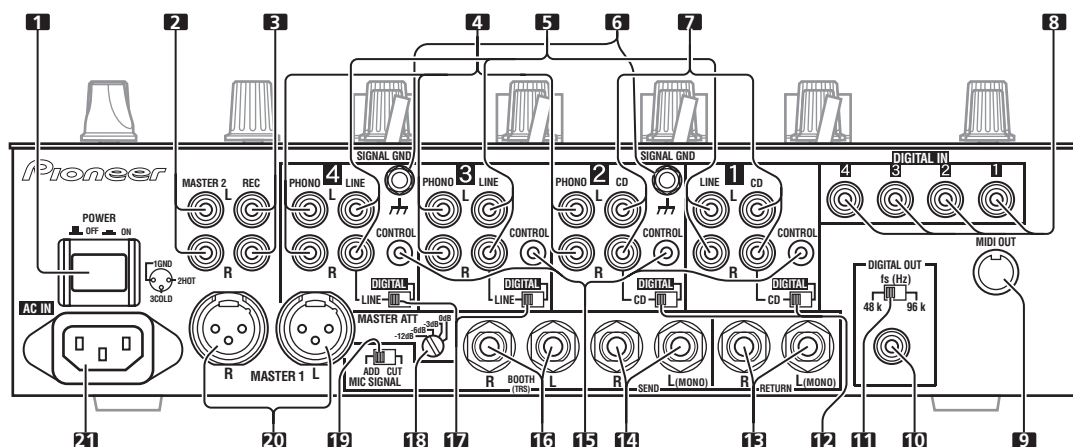
**4. Beat display section**

Displays the location of parameter 1 relative to BPM (1/1 beat). The lower row is lighted constantly. When the parameter 1 location approaches a threshold value, the corresponding indicator is lighted. When the parameter 1 is between threshold values, the indicator flashes. Although the display includes seven actual indicators, the two ends can also be considered to act as indicators, with the result that a theoretical nine positions can be postulated. When the values are at the two ends, no indicators light.

| Effect selector | Effect display  |                  | Parameter display |               |         |      | Beat display |      |     |     |     |     |      |      |      |  |  |
|-----------------|-----------------|------------------|-------------------|---------------|---------|------|--------------|------|-----|-----|-----|-----|------|------|------|--|--|
|                 | Upper/<br>Lower | Effect name      | Minimum value     | Maximum value | Default | Unit |              |      |     |     |     |     |      |      |      |  |  |
| DELAY           | Upper<br>Lower  | DELAY            | 1                 | 4 000         | 500     | ms   | 1/8          | 1/4  | 1/2 | 3/4 | 1/1 | 2/1 | 4/1  | 8/1  | 16/1 |  |  |
| ECHO            | Upper<br>Lower  | ECHO             | 1                 | 4 000         | 500     | ms   | 1/8          | 1/4  | 1/2 | 3/4 | 1/1 | 2/1 | 4/1  | 8/1  | 16/1 |  |  |
| REV DLY         | Upper<br>Lower  | REVERSE<br>DELAY | 10                | 4 000         | 500     | ms   | 1/8          | 1/4  | 1/2 | 3/4 | 1/1 | 2/1 | 4/1  | 8/1  | 16/1 |  |  |
| PAN             | Upper<br>Lower  | PAN              | 10                | 16 000        | 500     | ms   | 1/16         | 1/8  | 1/4 | 1/2 | 1/1 | 2/1 | 4/1  | 8/1  | 16/1 |  |  |
| TRANS           | Upper<br>Lower  | TRANS            | 10                | 16 000        | 500     | ms   | 1/16         | 1/8  | 1/4 | 1/2 | 1/1 | 2/1 | 4/1  | 8/1  | 16/1 |  |  |
| FILTER          | Upper<br>Lower  | FILTER           | 10                | 32 000        | 2 000   | ms   | 1/4          | 1/2  | 1/1 | 2/1 | 4/1 | 8/1 | 16/1 | 32/1 | 64/1 |  |  |
| FLANGER         | Upper<br>Lower  | FLANGER          | 10                | 32 000        | 2 000   | ms   | 1/4          | 1/2  | 1/1 | 2/1 | 4/1 | 8/1 | 16/1 | 32/1 | 64/1 |  |  |
| PHASER          | Upper<br>Lower  | PHASER           | 10                | 32 000        | 2 000   | ms   | 1/4          | 1/2  | 1/1 | 2/1 | 4/1 | 8/1 | 16/1 | 32/1 | 64/1 |  |  |
| REVERB          | Upper<br>Lower  | REVERB           | 1                 | 100           | 50      | %    | 10           | 20   | 30  | 40  | 50  | 60  | 70   | 80   | 90   |  |  |
| ROBOT           | Upper<br>Lower  | ROBOT            | -100              | 100           | 0       | %    | —            | -100 | -66 | -50 | 0   | 26  | 50   | 100  | —    |  |  |
| CHORUS          | Upper<br>Lower  | CHORUS           | 10                | 32 000        | 2 000   | ms   | 1/4          | 1/2  | 1/1 | 2/1 | 4/1 | 8/1 | 16/1 | 32/1 | 64/1 |  |  |
| ROLL            | Upper<br>Lower  | ROLL             | 10                | 4 000         | 500     | ms   | 1/16         | 1/8  | 1/4 | 1/2 | 1/1 | 2/1 | 4/1  | 8/1  | 16/1 |  |  |
| REV ROLL        | Upper<br>Lower  | REVERSE<br>ROLL  | 10                | 4 000         | 500     | ms   | 1/16         | 1/8  | 1/4 | 1/2 | 1/1 | 2/1 | 4/1  | 8/1  | 16/1 |  |  |
| SND/RTN         | Upper<br>Lower  | SEND/<br>RETURN  |                   |               |         |      |              |      |     |     |     |     |      |      |      |  |  |

Shaded items  are not displayed.

## CONNECTION PANEL



### 1. POWER switch

### 2. MASTER 2 output connectors

RCA type unbalanced output.

### 3. Recording output connectors (REC)

RCA type output connectors for recording.

### 4. PHONO input connectors

RCA type phono level (MM cartridge) input connectors. Do not use for inputting line level signals.

### 5. LINE input connectors

RCA type line level input connectors.

Use to connect a cassette deck or other line level output component.

### 6. Signal grounding terminals (SIGNAL GND)

Use to connect ground wires from analog players. This is not a safety grounding terminal.

### 7. CD input connectors

RCA type line level input connectors.

Use to connect a DJ CD player or other line level output component.

### 8. DIGITAL IN connectors

RCA type digital coaxial input connectors.

Use to connect to DJ CD player or other digital coaxial output connectors.

### 9. MIDI OUT connector

DIN type output connector.

Use to connect to other MIDI component.

### 10. DIGITAL OUT connector

RCA type digital coaxial output connector.

Master audio digital output.

### 11. Sampling frequency selector switch (fs 48 k/96 k)

Use to set the sampling frequency of the digital output to 96 kHz/24-bit or 48 kHz/24-bit.

### 12. DIGITAL/CD input selector switches

Use to select either analog input (CD) or digital input (DIGITAL IN).

### 13. RETURN connectors

Ø6.3 mm phone-type input connectors.

Use to connect to the output connectors of external effectors or similar components.

When the L channel only is connected, the L channel input is simultaneously input to the R channel.

### 14. SEND output connectors

Ø6.3 mm phone-type output connectors.

Use to connect to the input connectors of external effectors or other similar components. When the L channel only is connected, a L+R monaural signal is output.

### 15. CONTROL connectors

Ø3.5 mm mini-connector. Use to connect to the control connector of a Pioneer DJ CD player.

When the connectors are connected, the DJM-800's fader can be used to perform start/stop on the DJ CD player.

### 16. BOOTH monitor output connectors

Ø6.3 mm phone-type booth monitor output connectors.

The sound level from these connectors is controlled independently by the **BOOTH MONITOR** level dial, regardless of the position of the **MASTER LEVEL** dial. (These connectors are TRS output, so they support both balanced and unbalanced outputs.)

### 17. DIGITAL/LINE input selector switches

Use to select either analog input (LINE) or digital input (DIGITAL IN).

### 18. Master output attenuator switch (MASTER ATT)

Use to attenuate the level of the master 1 and master 2 outputs. Selectable values are 0 dB, -3 dB, -6 dB and -12 dB.

### 19. Microphone signal switch (MIC SIGNAL ADD/CUT)

When set to the [ADD] position, the sounds from microphone 1 and microphone 2 are output to the **BOOTH** monitor output connectors.

When set to the [CUT] position, the sounds from microphone 1 and microphone 2 are not output to the **BOOTH** monitor output connectors.

### 20. MASTER 1 output connectors

XLR type (male) balanced output.

- When using a cord with RCA-type plug, users are recommended to connect the plug directly to the **MASTER 2** connectors without using an XLR/RCA converter plug.

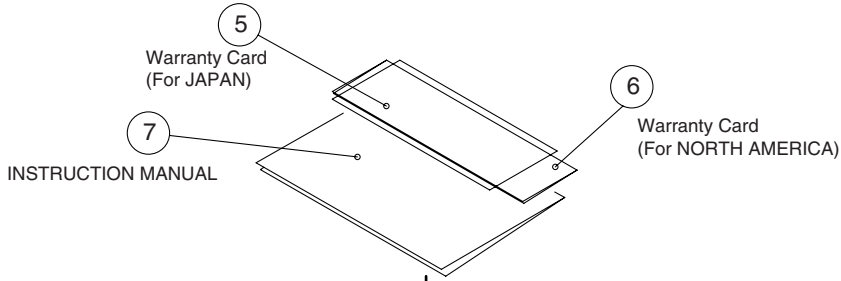
### 21. Power inlet (AC IN)

Use the accessory power cord to connect to an AC power outlet of the proper voltage.

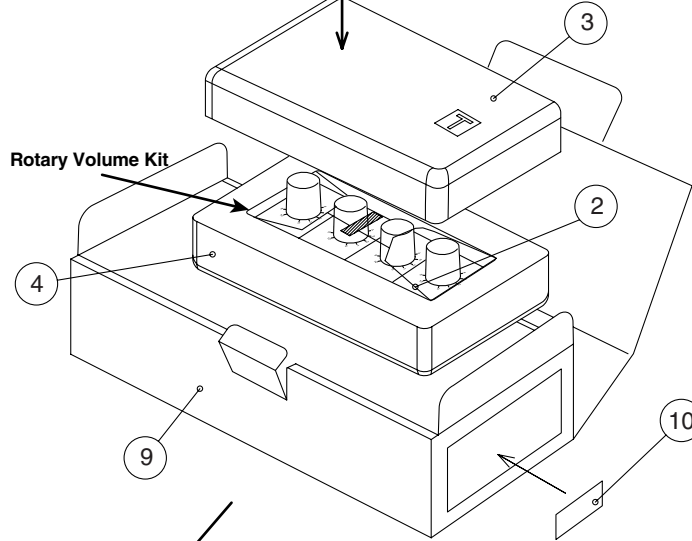
# 9. ROTARY VOLUME KIT (DJC-800RV)

## 9.1 PACKING SECTION

A

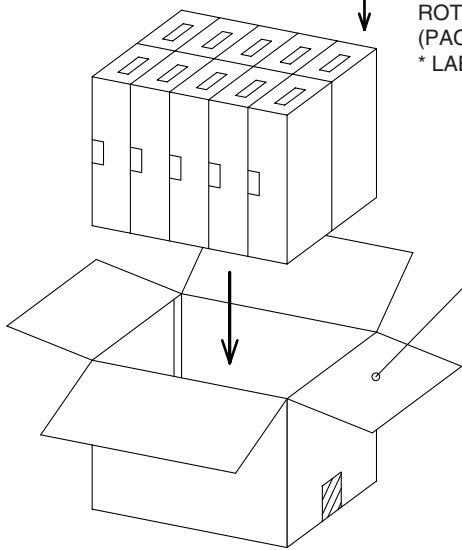


B



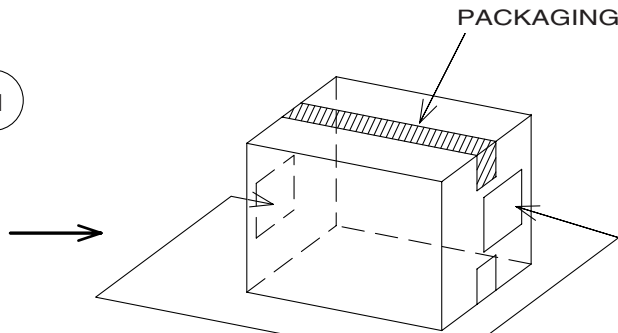
C

(PACKING CASE)



ROTALY VOLUME KIT  
(PACKING CASE)  
\* LABEL PUT UP

D



E

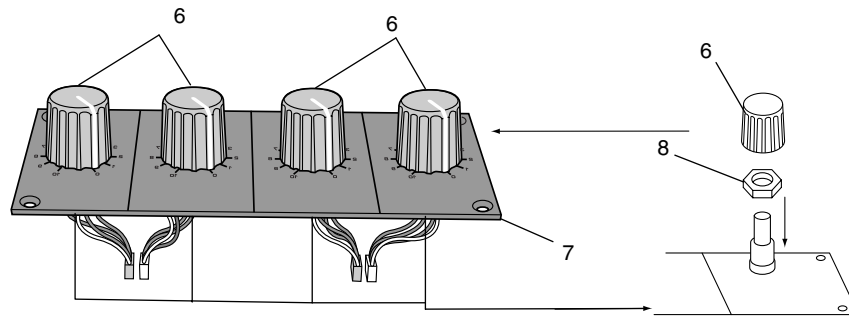
STAMP UNDER  
DESTINATION PLACE SYMBOL

### • PACKING SECTION parts List

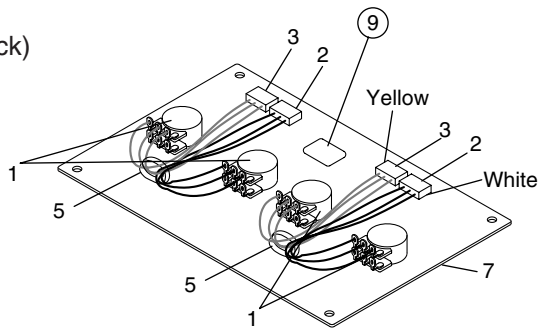
| Mark No. | Description                  | Part No. | Mark No. | Description        | Part No. |
|----------|------------------------------|----------|----------|--------------------|----------|
| 1        | •••••                        |          | 7        | Instruction Manual | DRC1280  |
| 2        | Mirror Mat (300*230)         | DHL1155  | 8        | •••••              |          |
| 3        | TOP Pad                      | DHA1708  | 9        | Packing Case       | DHG2615  |
| 4        | BOTTOM Pad                   | DHA1709  | NSP 10   | Serial Label (UPC) | DRW2311  |
| NSP 5    | Warranty Card (Japan)        | DRY1235  | 11       | Master Carton      | DHG2616  |
| NSP 6    | Warranty Card(North America) | ARY7043  |          |                    |          |

# 9.2 EXTERIOR SECTION

(Front)



(Back)



## • EXTERIOR SECTION parts List

| Mark No. | Description        | Part No.    |
|----------|--------------------|-------------|
| 1        | Potentiometer      | DCS1088     |
| 2        | Connector Assy (W) | DKP3765     |
| 3        | Connector Assy (Y) | DKP3766     |
| 4        | • • • •            |             |
| 5        | Binder (SKB-90BK)  | ZCA-SKB90BK |
| 6        | VR Knob (ISO)      | DAA1165     |
| 7        | CHF Panel (RV)     | DAH2432     |
| 8        | Flange Nut M7      | DBN1011     |
| NSP 9    | CE Mark Label (UP) | RRW1221     |
| 10       | • • • •            |             |

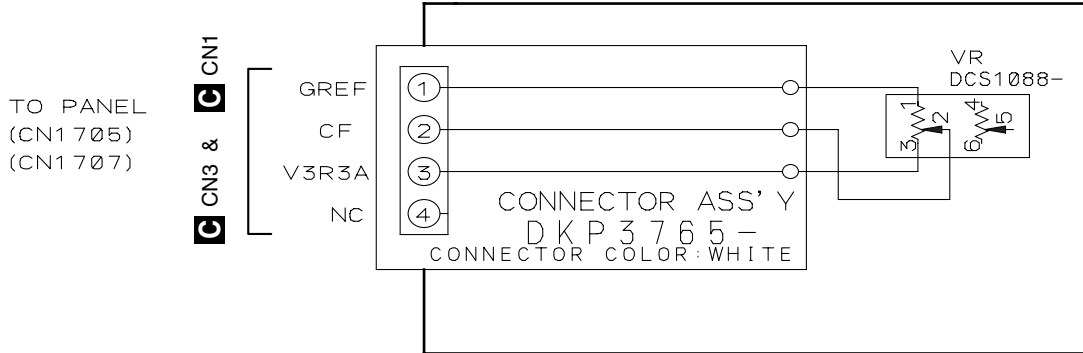
# 9.3 SCHEMATIC DIAGRAM

DJC-800RV/ZXJ/WL5

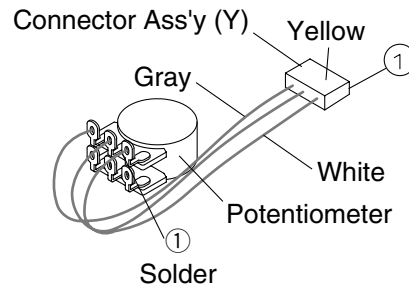
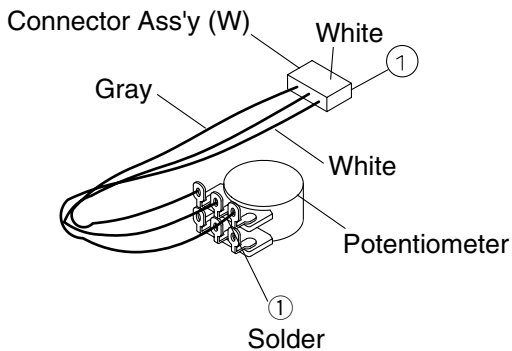
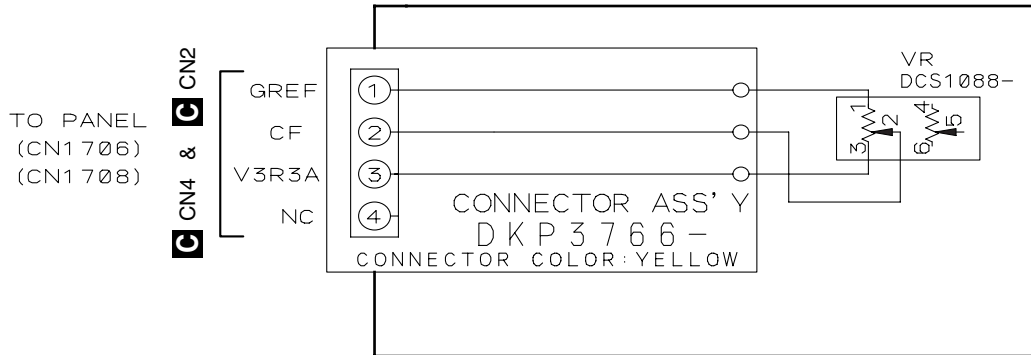
**Note:** Although the ref. numbers for the CH1/CH3 FADER Assys are different, they are identical, and their functions in the circuitry are the same. You can connect to either of them.

**Note:** Although the ref. numbers for the CH2/CH4 FADER Assys are different, they are identical, and their functions in the circuitry are the same. You can connect to either of them.

## CH1 / CH3 FADER



## CH2 / CH4 FADER



**⚠ WARNING**

Do not attempt to install this kit by your-self!

This kit requires professional expertise and must be installed by a specially trained technician.

For details, inquire at your nearest authorized Pioneer service center. (Consult your retail dealer for more information regarding authorized Pioneer service centers. )

**NOTE:**

Installation of this kit requires specialized professional training and expertise. Consult your nearest authorized Pioneer service center for installation (installation fee must be paid by user).

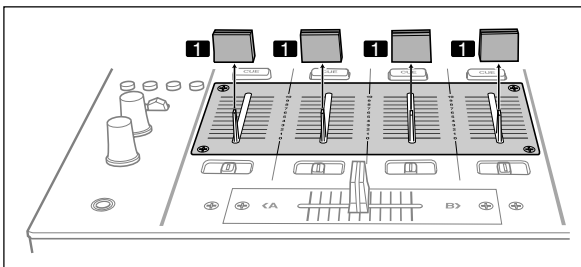
Attempting to install this kit by yourself can be very dangerous, and may result not only in damage to the unit, but fire or electrical shock. Pioneer can accept no liability for injuries or damages resulting from installations or modifications performed by the customer.

**To the Installing Service Personnel**

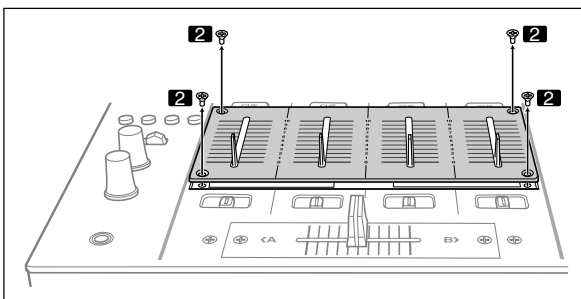
Install this panel unit as depicted in the accompanying illustrations and instructions.

- Before beginning work, be sure to disconnect the power cord from its supply outlet.

**1. Pull off the 4 fader slider knobs.**

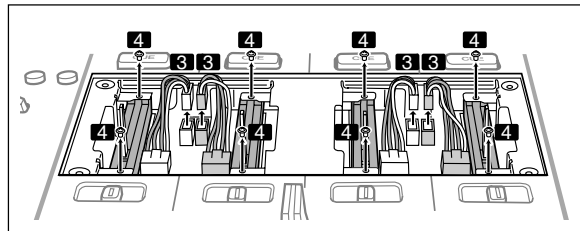


**2. Remove the 4 screws at the four corners of the fader panel, and remove the panel.**



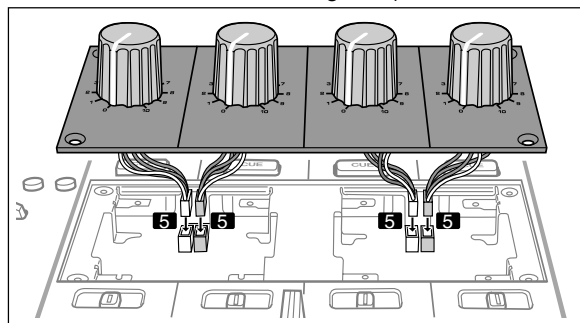
**3. Disconnect the 4 cable connectors.**

**4. Remove the 2 mounting screws for each slide volume (total 8 screws), and remove the 4 slide volumes.**



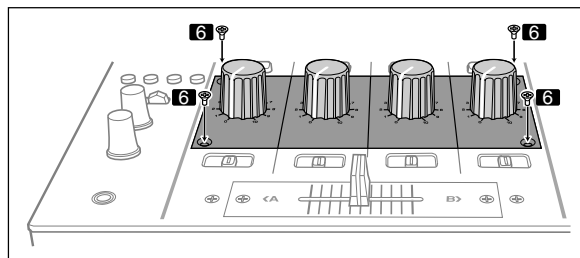
**5. Connect the 4 cable connectors for the fader units to be installed (total 4).**

- Insert the connectors securely, taking care not to mistake the order in which the connectors are attached (connectors for odd-numbered channels are white, while connectors for even-numbered channels are yellow. Attach connectors of the same color together).



**6. Insert the Fader panel and fasten with the four corner screws (total 4).**

- Take care not to allow any wiring to be caught under the panel.



- Carefully store all removed parts (lever knobs (4), panel (1), slide volumes (4), and mounting screws (8)).

■ Jigs list

A

| Jig No.          | Jig Name             | Remarks                    |
|------------------|----------------------|----------------------------|
| GGF 1490         | RS-232C jig          | used for firmware download |
| djm800-xxxx. mot | Program up date file | used for firmware download |

B

C

D

E

F