

THIS DOCUMENT CONTAINS PROPRIETARY INFORMATION WHICH IS THE PROPERTY OF QSC AUDIO PRODUCTS, THAT MAY NOT BE DISCLOSED, REPRODUCED OR USED WITHOUT EXPRESS WRITTEN CONSENT FROM QSC AUDIO PRODUCTS.

REVISION				
REV	DESCRIPTION	EFF. DATE	CHK	APPROVED / DATE
A	PRODUCTION RELEASE PER ECO 4753 AA	11-09-01		DD
B	PRODUCTION RELEASE 100V PER ECO 5211 AA	04-26-02		DD
C	REVISED PER ECO 5327 MP	6-14-02		DD
D	CANCEL			
E	REVISED PER ECO 5655 AA	4-04-03		

- 8. ZENER TOLERANCE IS 5%
  - 7. SMT CAPACITOR VOLTAGE IS 50V
  - 6. SMT RESISTOR WATTAGE RATING IS 0.1W
  - 5. RESISTOR WATTAGE RATING IS 1/4W  
FOR RESISTOR WATTAGE RATINGS GREATER THAN 1W, TOLERANCE IS 5%  
FOR RESISTOR WATTAGE RATINGS LESS THAN 1/2W, TOLERANCE IS 1%
  - 4. THROUGH-HOLE FILM AND CERAMIC CAPACITOR TOLERANCE IS 10%, VOLTAGE IS 100V
  - 3. ELECTROLYTIC CAPACITOR TOLERANCE IS 20%
  - 2. COMPONENTS WITH VALUE PREFIXED WITH A "\*" REPRESENT SMT COMPONENTS.
  - 1. THIS DRAWING USED IN CONJUNCTION WITH ASSEMBLY WP-000169-XX AND PC-000169-00.
- NOTES: UNLESS OTHERWISE SPECIFIED

TABULATION BLOCK			
DASH NO.	F1	1	2
-00 (120V)	25A, 125V		487K
-01 (100V)	30A, 125V		392K
-02 (230V)	15A, 250V		487K

QTY	ITEM NO.	PART NO.	DESCRIPTION	VENDOR
<b>PARTS LIST</b>				
UNLESS OTHERWISE SPECIFIED DIMENSIONS ARE IN INCHES. DIMENSIONS PER ANSI Y14.5-1982 TOLERANCES ARE: DECIMALS    DECIMALS    ANGLES .XX ±        .XXX ±        ° DEBURR EDGES .XXX R MAX MATERIAL			CONTRACT NO.	
FINISH			APPROVALS    DATE	
DO NOT SCALE DRAWING			DRAWN    PAT    QUILTER    9-29-99	
			CHECKED	
			ISSUED	
			CAD SEED FILE NO.	
			PLOT DATE: Mon Jan 26, 2004	
			SCALE NONE	
			CAD FILE NO. SH0169RE.SCH	
			SHEET 1 OF 7	

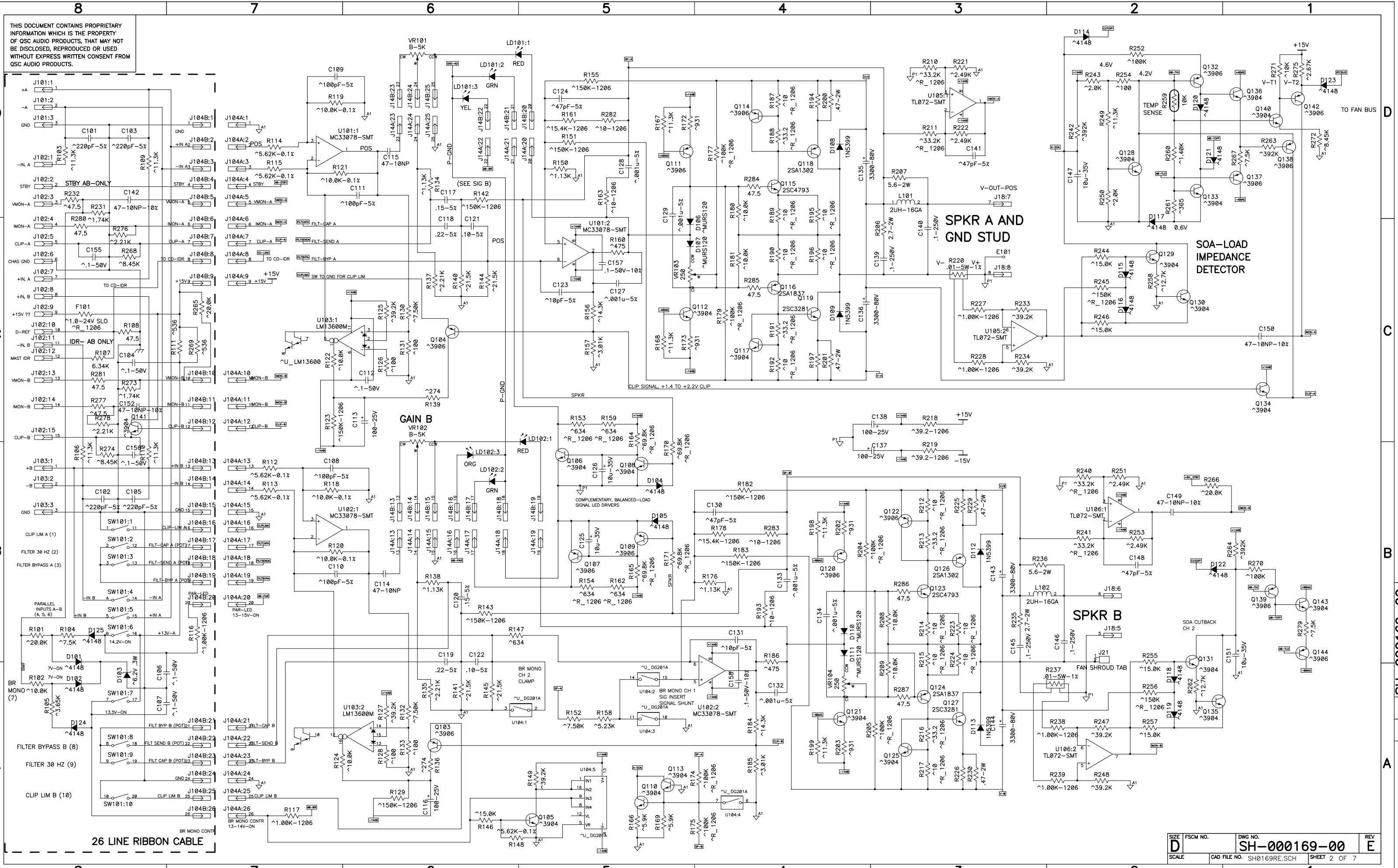
**AUDIO PRODUCTS, INC.**  
COSTA MESA, CALIFORNIA

**SCHEMATIC, CX168**  
**PLC-8CH**

SIZE **D**    FSCM NO.    DWG NO. **SH-000169-00**    REV **E**

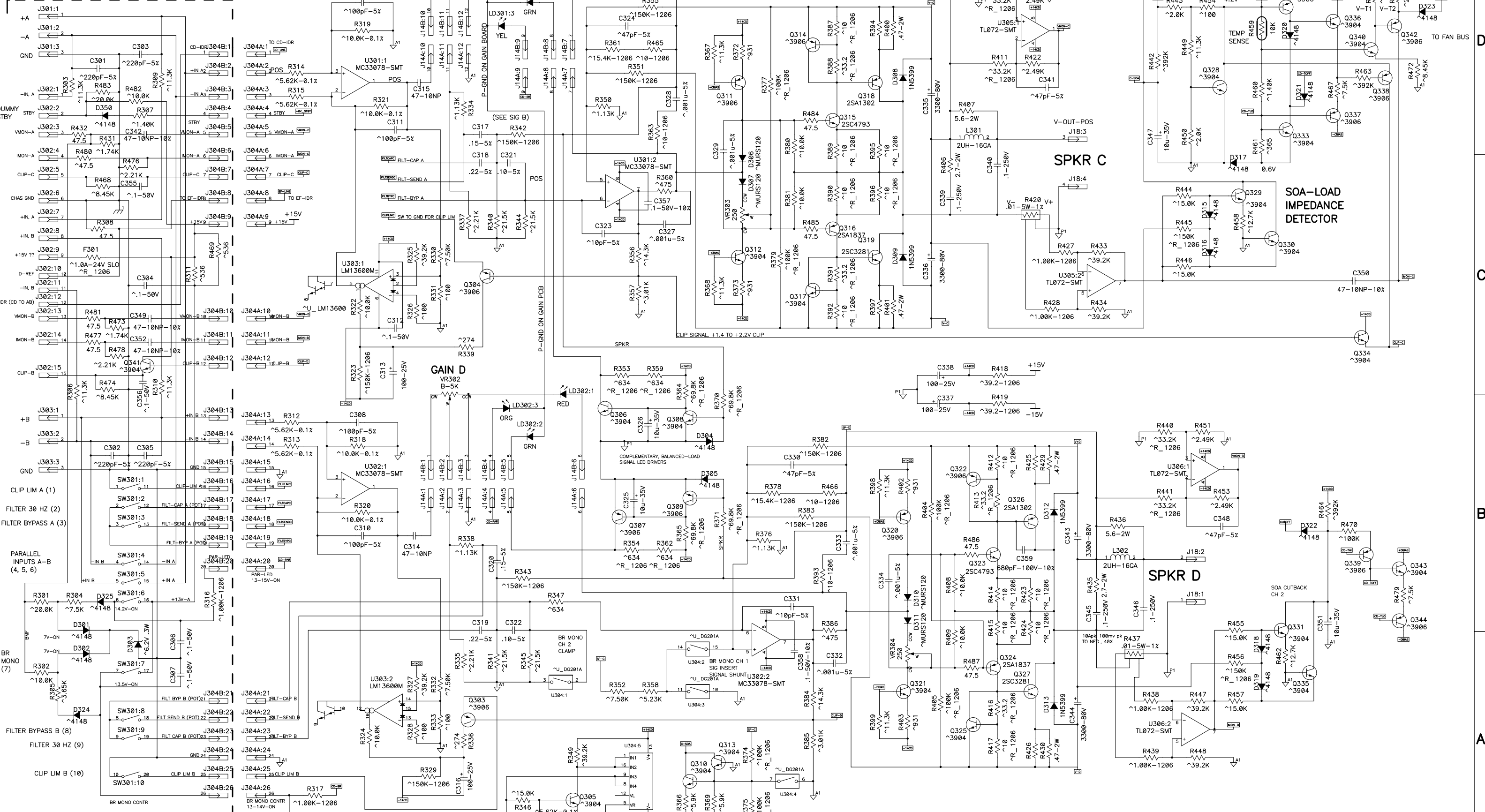
E 1 SH-000169-00 DWG NO.

THIS DOCUMENT CONTAINS PROPRIETARY INFORMATION WHICH IS THE PROPERTY OF QSC AUDIO PRODUCTS. THAT MAY NOT BE DISCLOSED, REPRODUCED OR USED WITHOUT EXPRESS WRITTEN CONSENT FROM QSC AUDIO PRODUCTS.



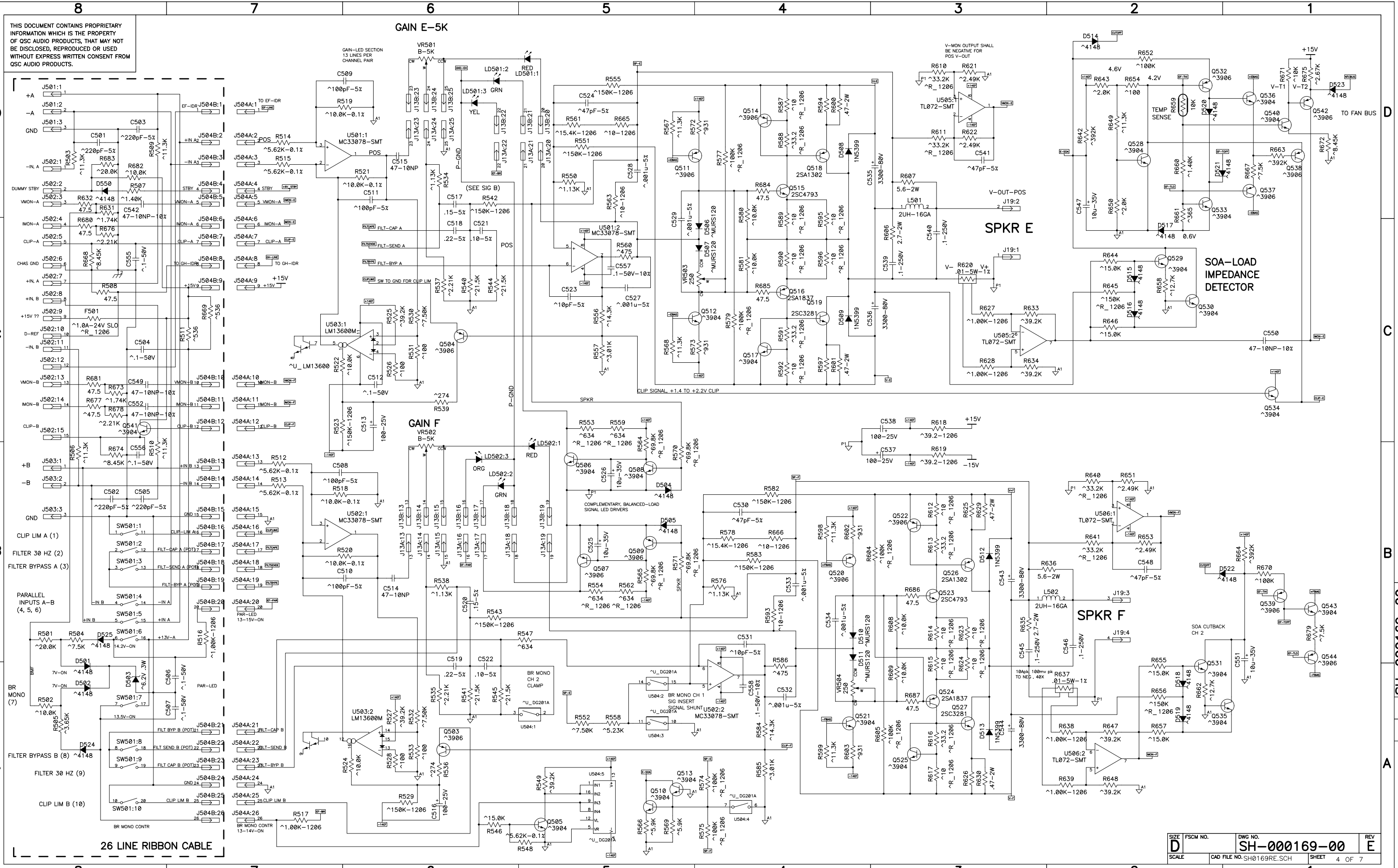
26 LINE RIBBON CABLE

THIS DOCUMENT CONTAINS PROPRIETARY INFORMATION WHICH IS THE PROPERTY OF QSC AUDIO PRODUCTS. THAT MAY NOT BE DISCLOSED, REPRODUCED OR USED WITHOUT EXPRESS WRITTEN CONSENT FROM QSC AUDIO PRODUCTS.

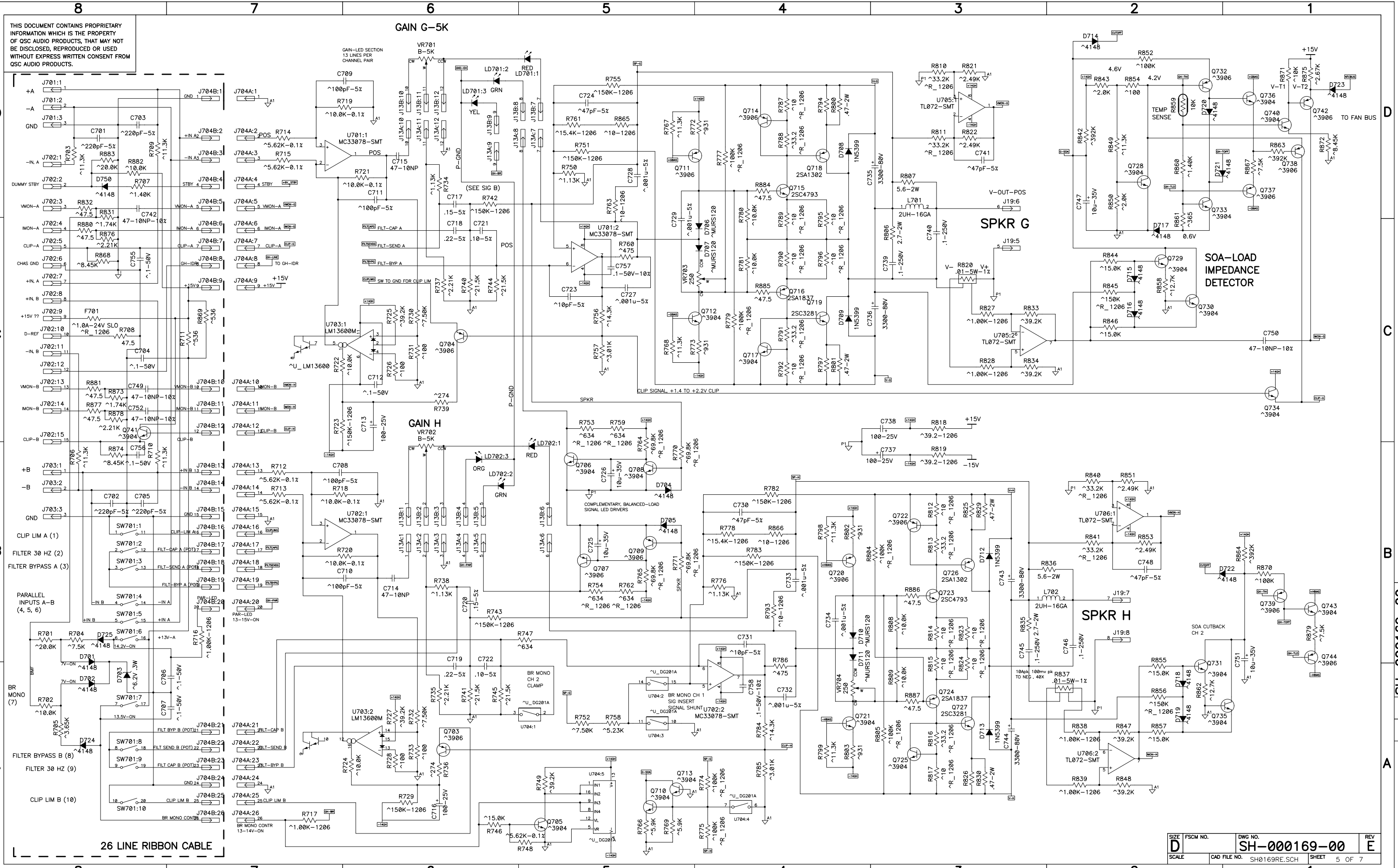


26 LINE RIBBON CABLE

THIS DOCUMENT CONTAINS PROPRIETARY INFORMATION WHICH IS THE PROPERTY OF QSC AUDIO PRODUCTS, THAT MAY NOT BE DISCLOSED, REPRODUCED OR USED WITHOUT EXPRESS WRITTEN CONSENT FROM QSC AUDIO PRODUCTS.



THIS DOCUMENT CONTAINS PROPRIETARY INFORMATION WHICH IS THE PROPERTY OF QSC AUDIO PRODUCTS, THAT MAY NOT BE DISCLOSED, REPRODUCED OR USED WITHOUT EXPRESS WRITTEN CONSENT FROM QSC AUDIO PRODUCTS.



26 LINE RIBBON CABLE

THIS DOCUMENT CONTAINS PROPRIETARY INFORMATION WHICH IS THE PROPERTY OF QSC AUDIO PRODUCTS, THAT MAY NOT BE DISCLOSED, REPRODUCED OR USED WITHOUT EXPRESS WRITTEN CONSENT FROM QSC AUDIO PRODUCTS.

