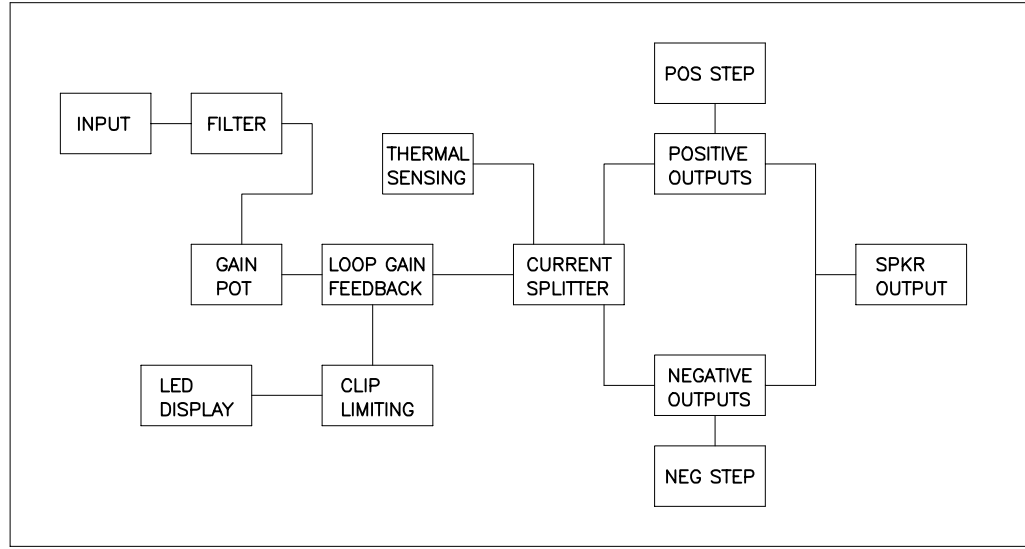
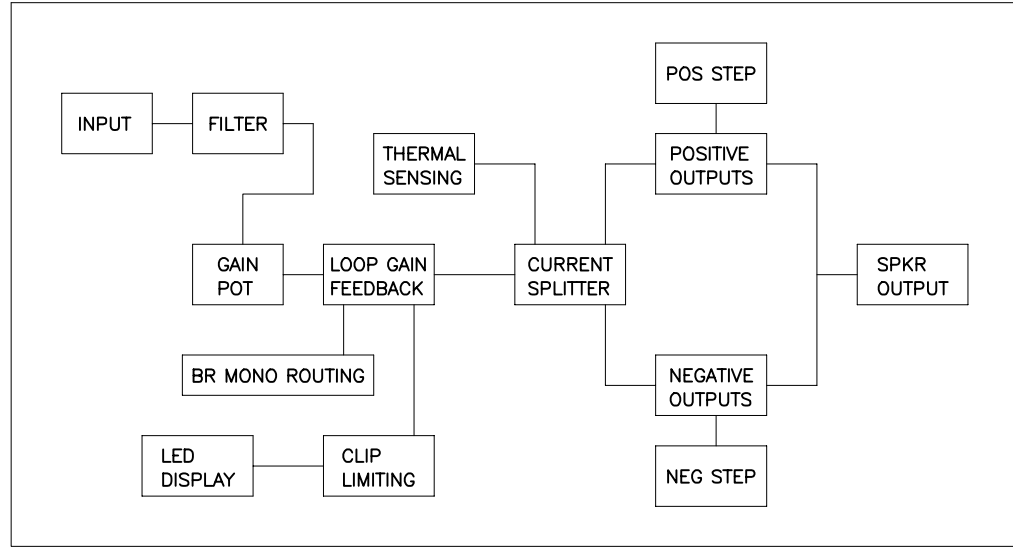


THIS DOCUMENT CONTAINS PROPRIETARY INFORMATION WHICH IS THE PROPERTY OF QSC AUDIO PRODUCTS, THAT MAY NOT BE DISCLOSED, REPRODUCED OR USED WITHOUT EXPRESS WRITTEN CONSENT FROM QSC AUDIO PRODUCTS.

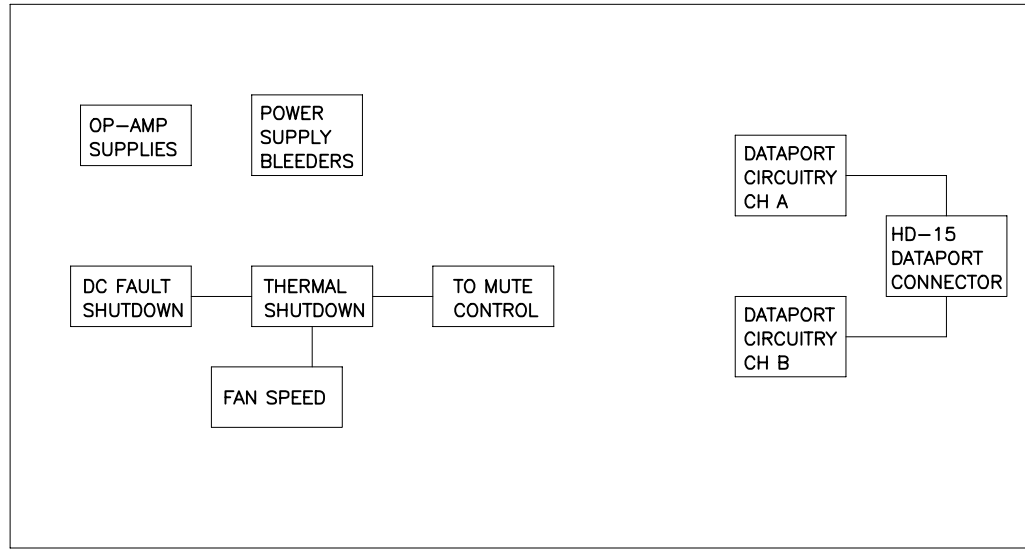
REVISION



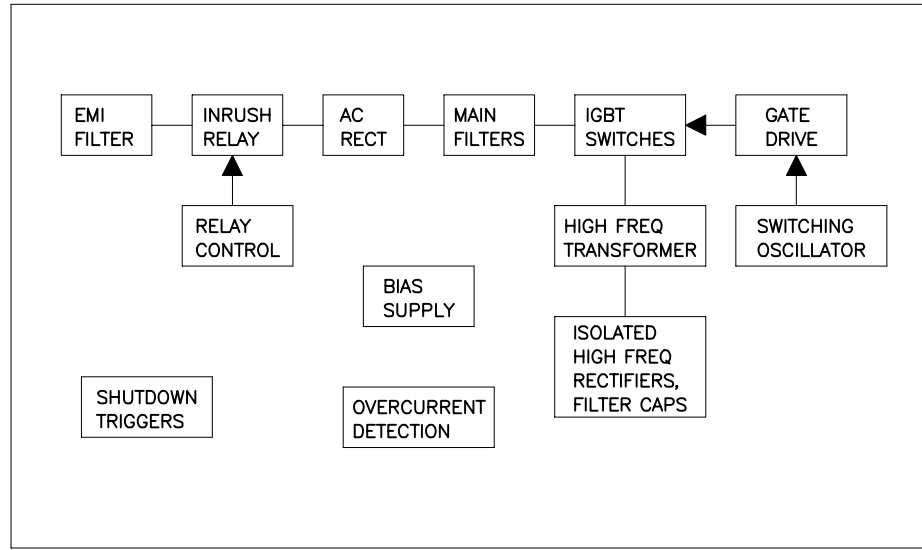
CHANNEL A
AUDIO CIRCUITS
SHEET 2



CHANNEL B
AUDIO CIRCUITS
SHEET 3



SUPPORT,
PROTECTION
AND DATAPORT
CIRCUITS
SHEET 4



SWITCHING
POWER
SUPPLY
SHEET 5

TABULATION BLOCK			
DASH NO.	F1	1	R321, 322, 326, 328 2
-00 (120V)	25A, 125V		487K
-01 (100V)	25A, 125V		392K
-02 (230V)	15A, 250V		487K

QTY	ITEM NO.	PART NO.	DESCRIPTION	VENDOR
PARTS LIST				
UNLESS OTHERWISE SPECIFIED DIMENSIONS ARE IN INCHES. DIMENSIONS PER ANSI Y14.5-1982 TOLERANCES ARE: DECIMALS DECIMALS ANGLES .XX ± .XXX ± ° DEBURR EDGES .XXX R MAX MATERIAL			CONTRACT NO.	
FINISH			APPROVALS	DATE
NEXT ASSY USED ON			DRAWN PAT QUILTER	5-15-98
APPLICATION			CHECKED R. BECKER	2-10-99
DO NOT SCALE DRAWING			ISSUED T. SHOOK	2-10-99
CAD SEED FILE NO.			PLOT DATE: Thu May 04, 2000	SCALE NONE
CAD FILE NO. SH0101-H.sch			SHEET 1 OF 5	

QSC AUDIO PRODUCTS, INC.
COSTA MESA, CALIFORNIA

SCHEMATIC DIAGRAM
CX502

DWG NO. **SH-000101-00**

2. COMPONENTS WITH VALUE PREFIXED WITH A "*" REPRESENT SMT COMPONENTS.
1. THIS DRAWING USED IN CONJUNCTION WITH ASSEMBLY WP-000101-XX.
NOTES: UNLESS OTHERWISE SPECIFIED

DWG NO. SH-000101-00

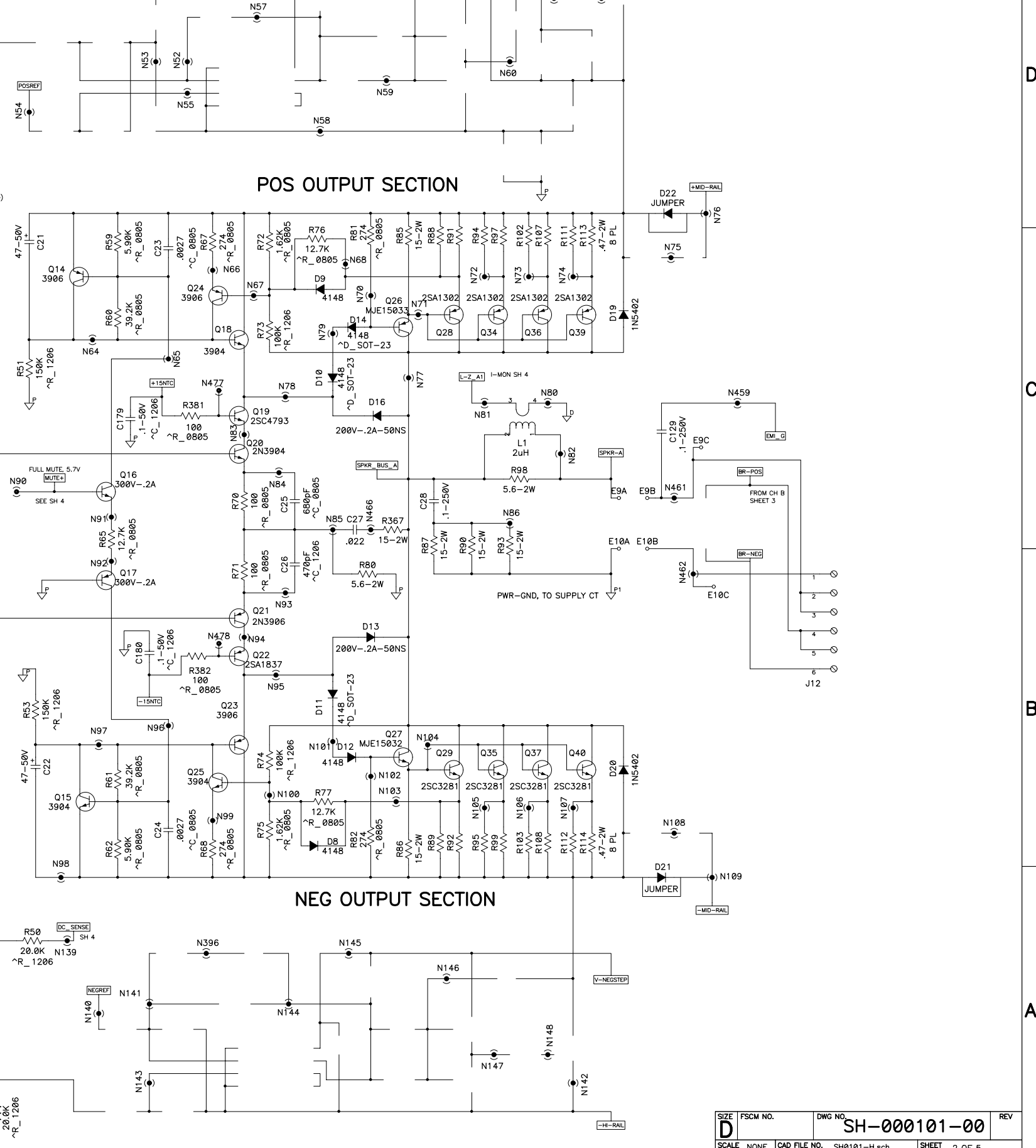
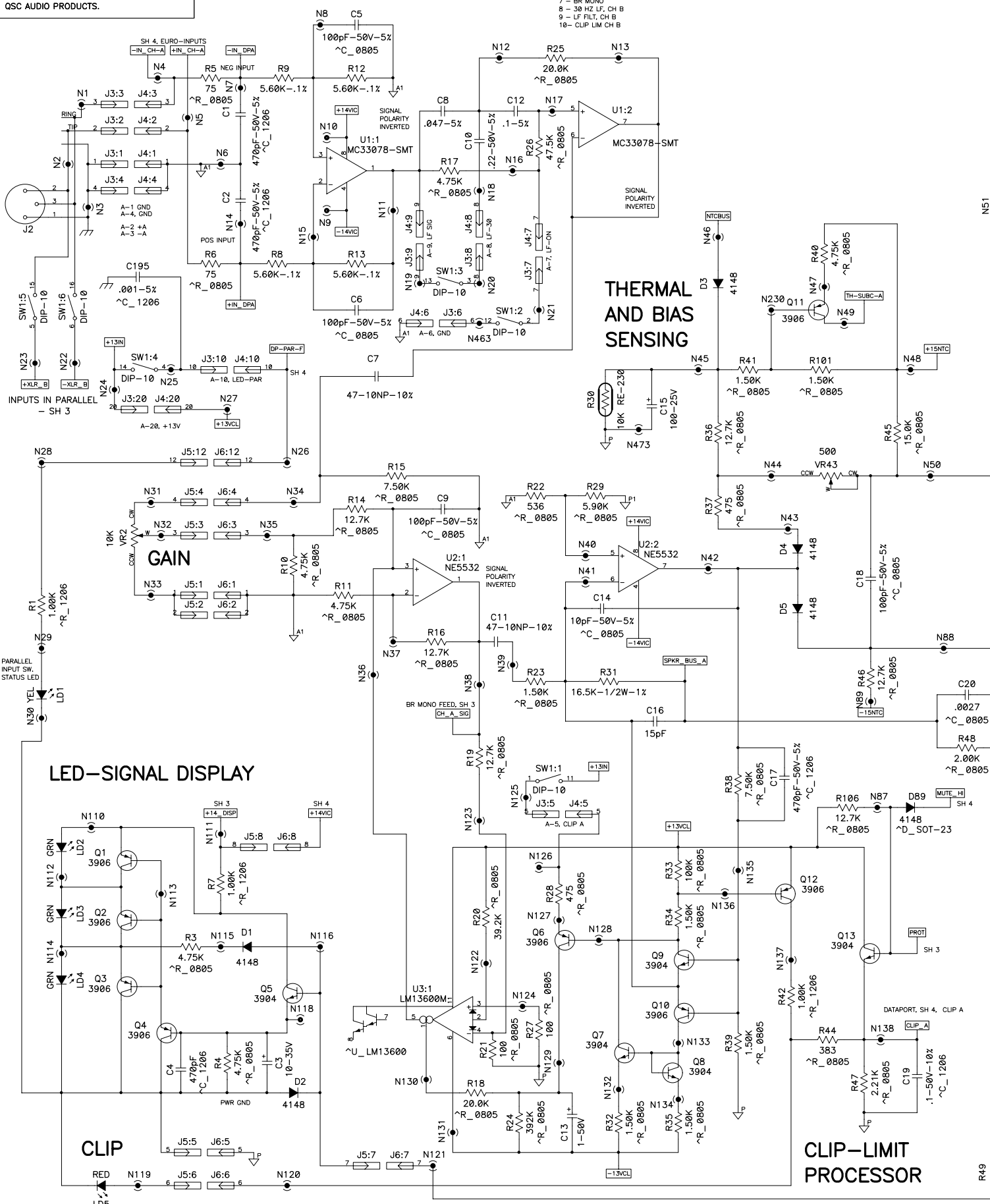
REV 1

THIS DOCUMENT CONTAINS PROPRIETARY INFORMATION WHICH IS THE PROPERTY OF QSC AUDIO PRODUCTS, THAT MAY NOT BE DISCLOSED, REPRODUCED OR USED WITHOUT EXPRESS WRITTEN CONSENT FROM QSC AUDIO PRODUCTS.

INPUT AND FILTER SECTION, CH A

DIP SWITCH TABLE, 10-POS

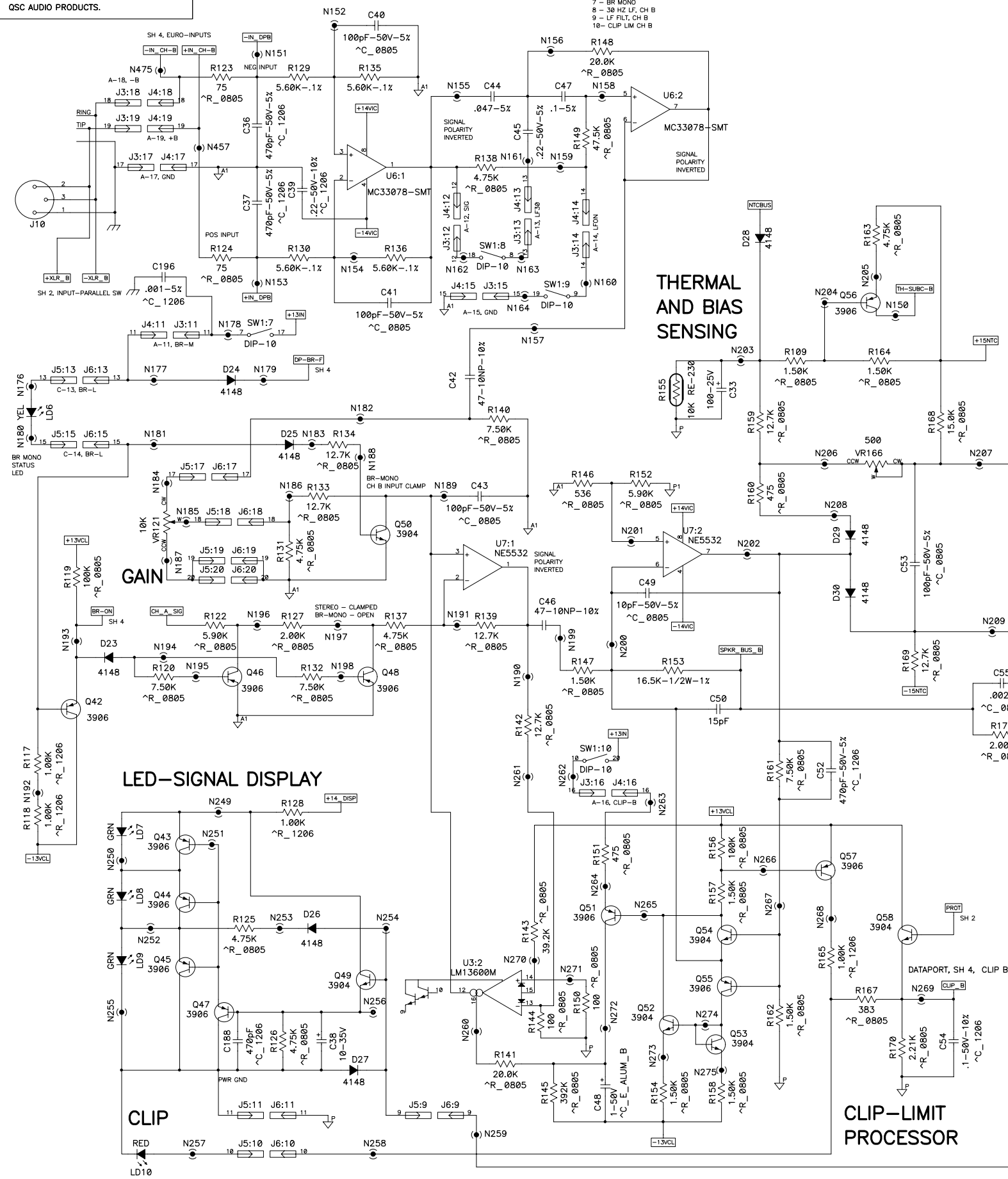
- 1 - CLIP LIM, CH-A
- 2 - LF FILT, CH-A
- 3 - 30 HZ LF, CH-A
- 4 - PAR INPUT LED
- 5 - PAR INPUTS, +
- 6 - PAR INPUTS, -
- 7 - BR MONO
- 8 - 30 HZ LF, CH B
- 9 - LF FILT, CH B
- 10 - CLIP LIM CH B



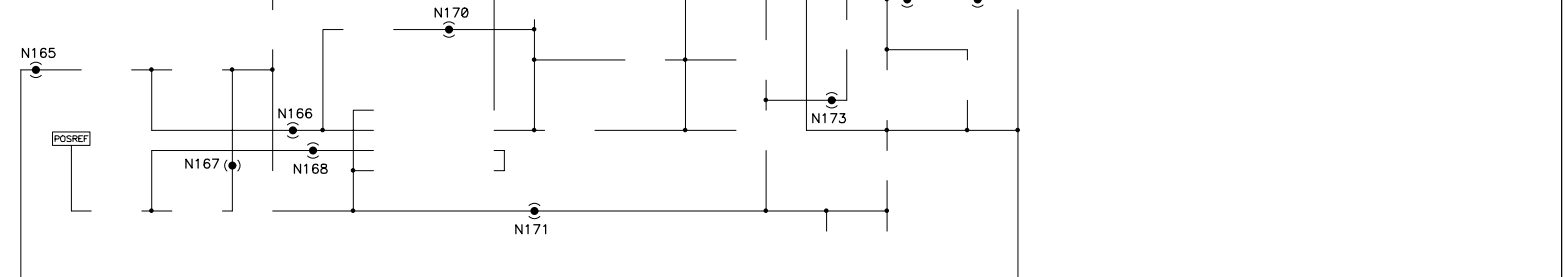
THIS DOCUMENT CONTAINS PROPRIETARY INFORMATION WHICH IS THE PROPERTY OF QSC AUDIO PRODUCTS, THAT MAY NOT BE DISCLOSED, REPRODUCED OR USED WITHOUT EXPRESS WRITTEN CONSENT FROM QSC AUDIO PRODUCTS.

INPUT AND FILTER SECTION, CH B

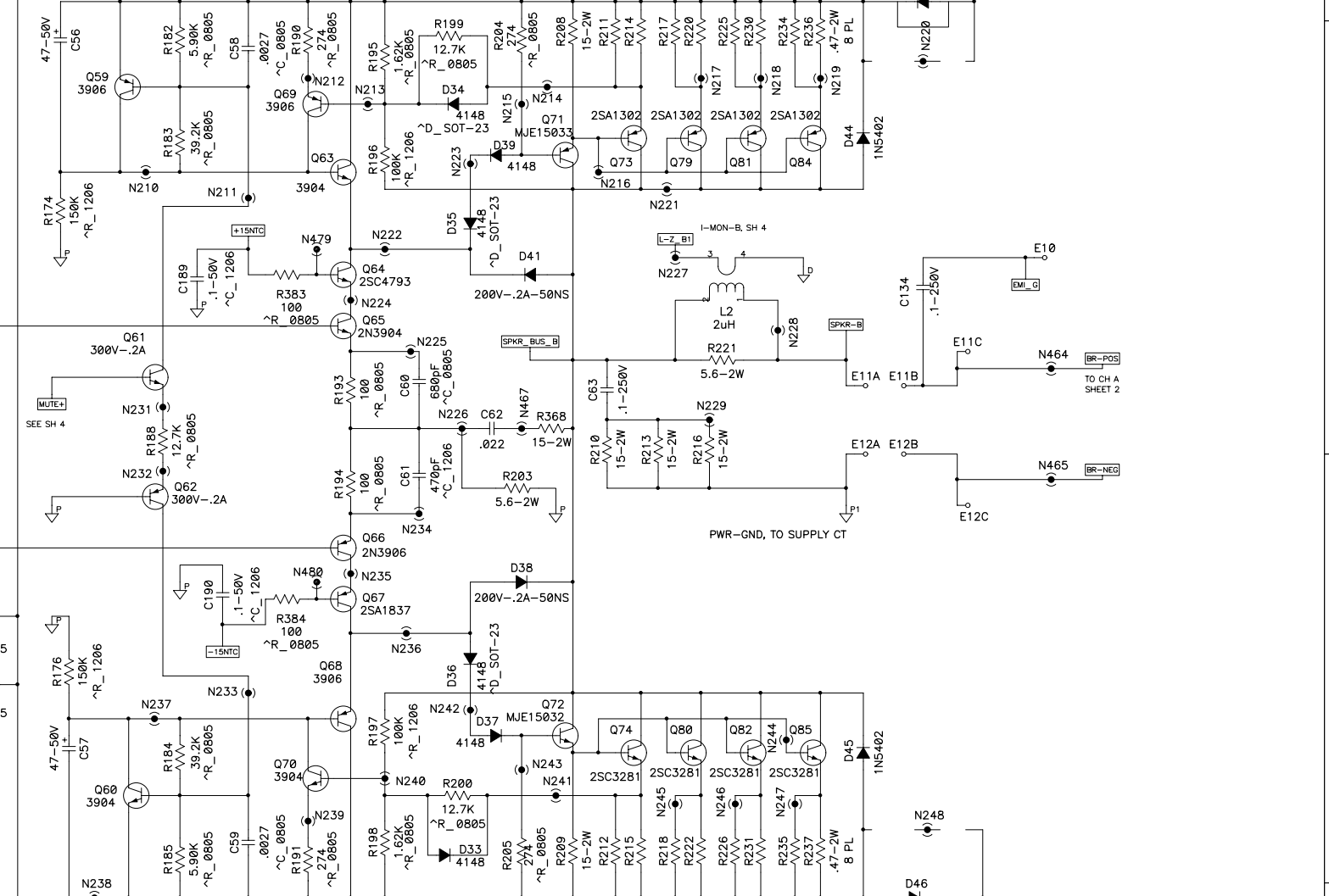
- DIP SWITCH TABLE, 10-POS
- 1 - CLIP LIM, CH-A
 - 2 - LF FILT, CH-A
 - 3 - 30 HZ LF, CH-A
 - 4 - PAR INPUT LED
 - 5 - PAR INPUTS, +
 - 6 - PAR INPUTS, -
 - 7 - BR MONO
 - 8 - 30 HZ LF, CH B
 - 9 - LF FILT, CH B
 - 10 - CLIP LIM CH B



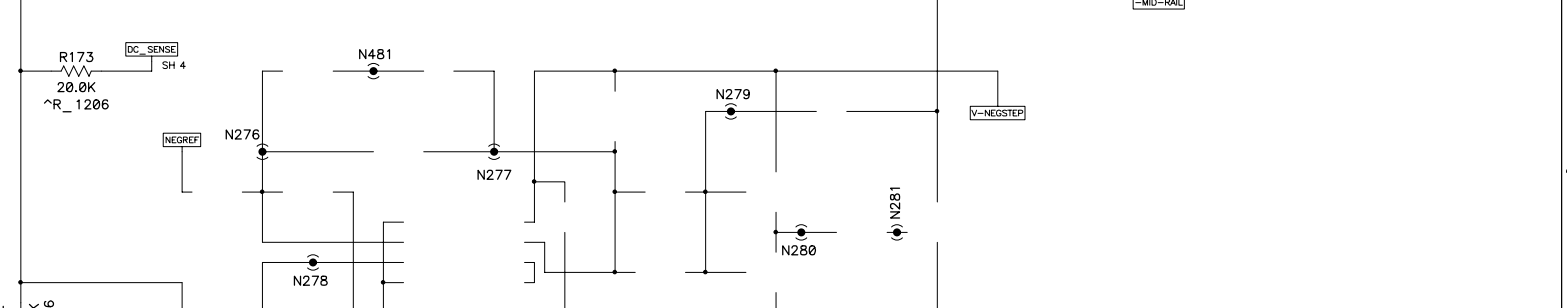
POS STEP DRIVER



POS OUTPUT SECTION



NEG OUTPUT SECTION

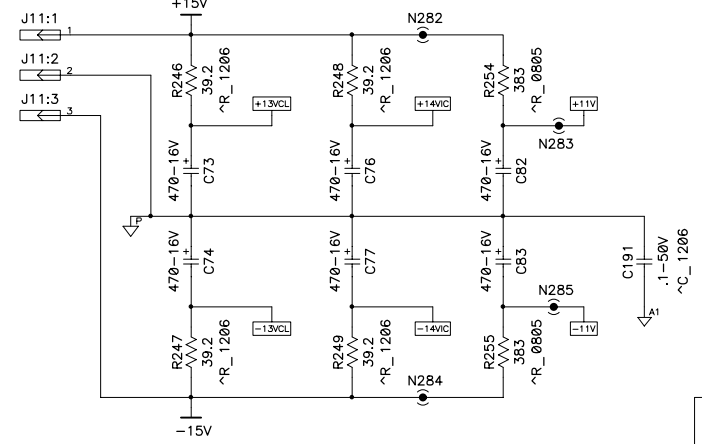


CLIP-LIMIT PROCESSOR

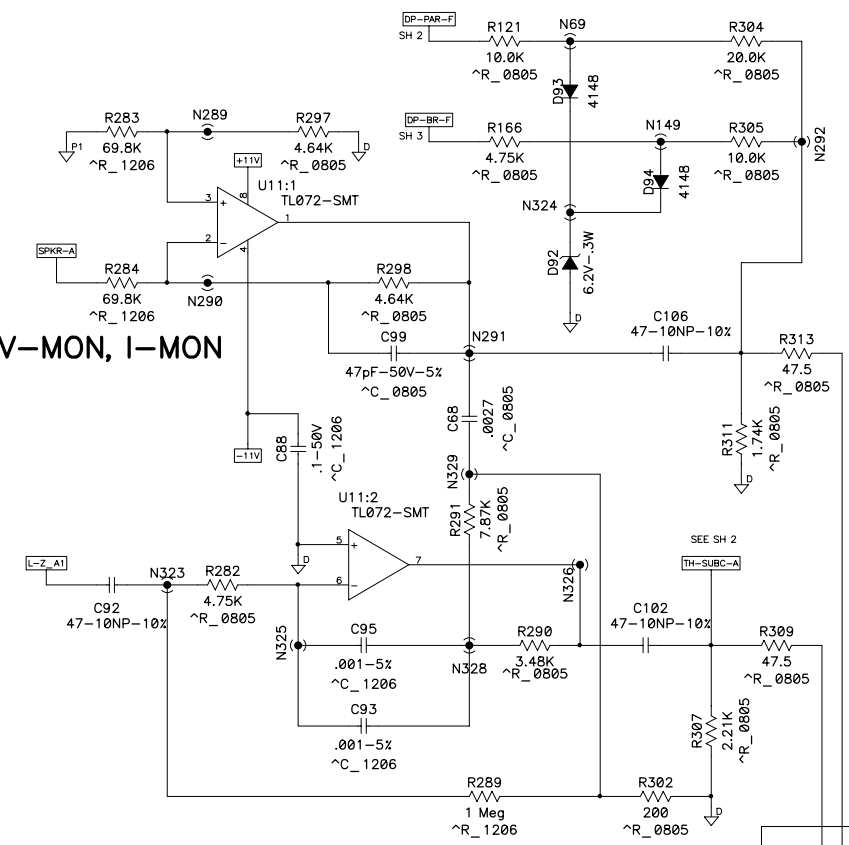


THIS DOCUMENT CONTAINS PROPRIETARY INFORMATION WHICH IS THE PROPERTY OF QSC AUDIO PRODUCTS, THAT MAY NOT BE DISCLOSED, REPRODUCED OR USED WITHOUT EXPRESS WRITTEN CONSENT FROM QSC AUDIO PRODUCTS.

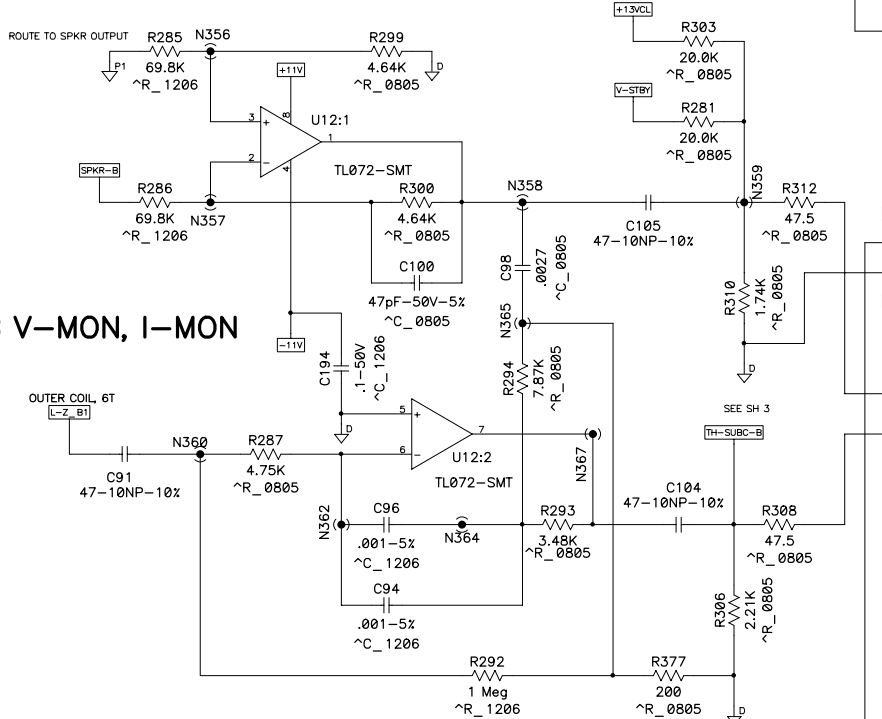
OPAMP POWER SUPPLIES



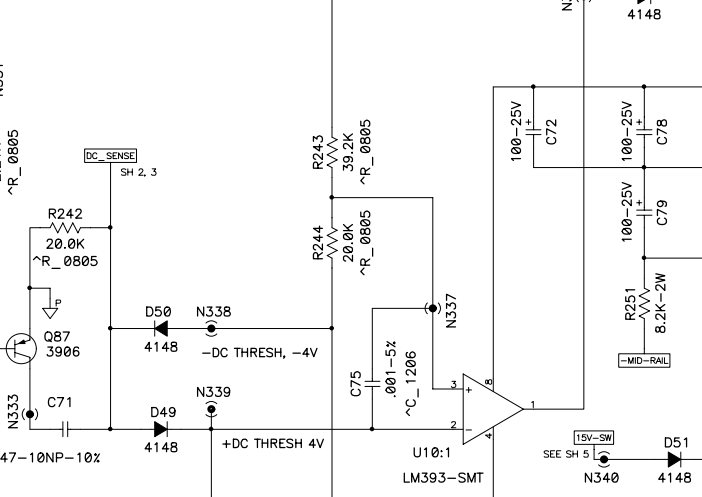
CH A V-MON, I-MON



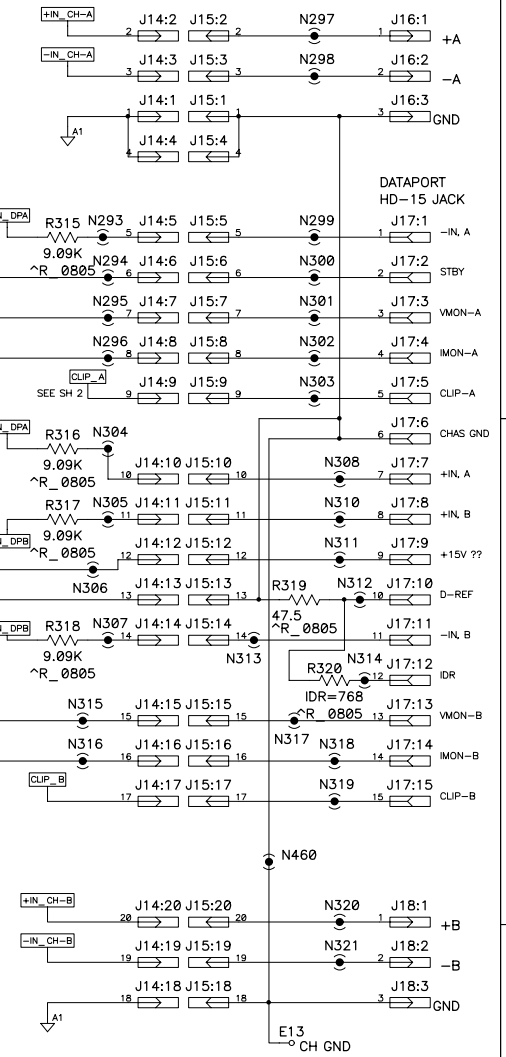
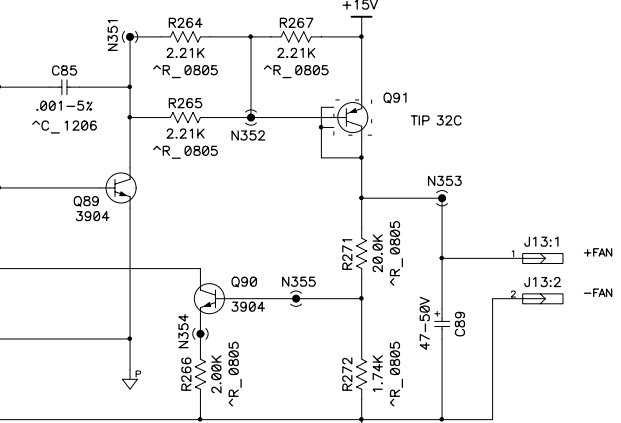
CH B V-MON, I-MON



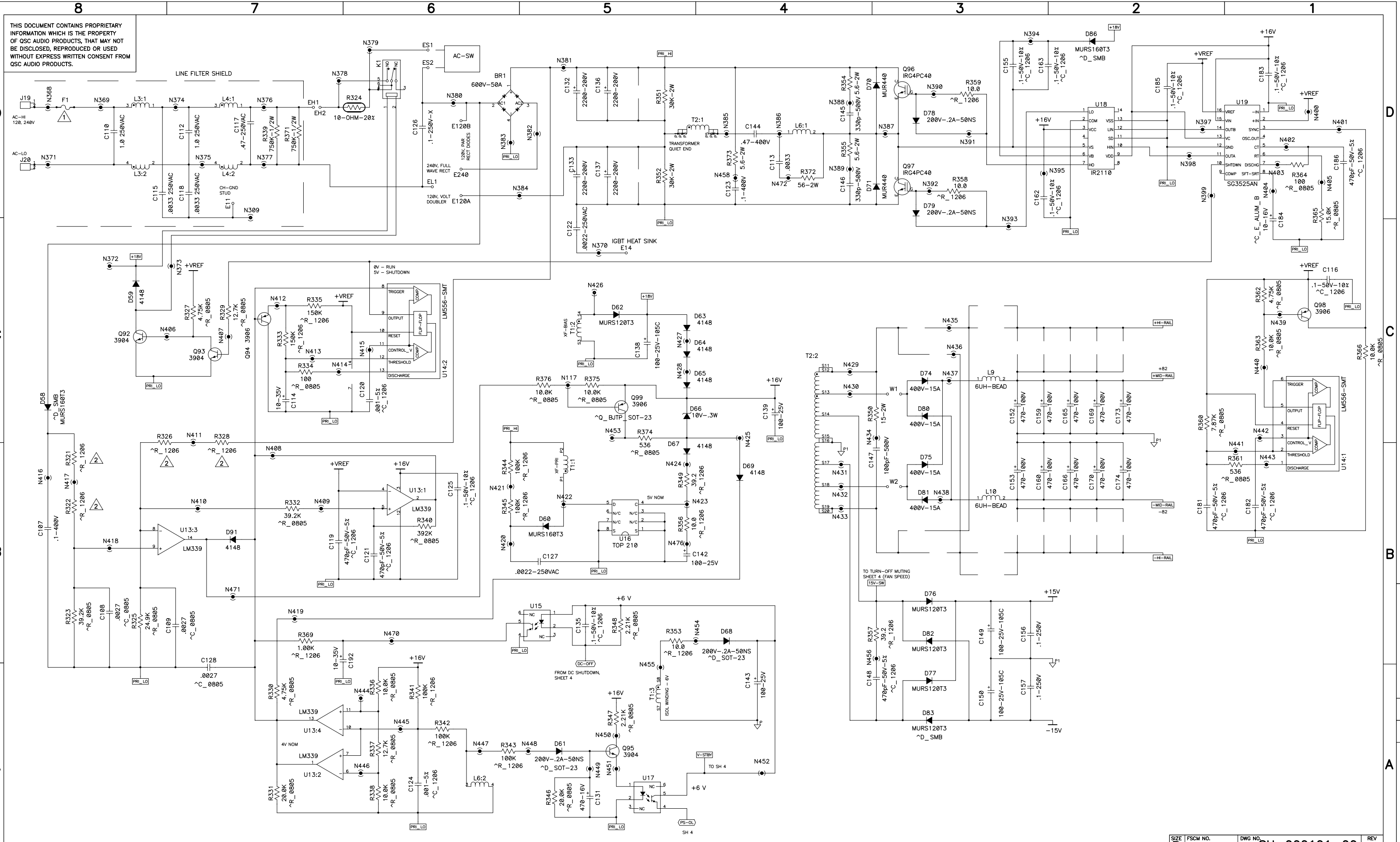
DC MUTING



FAN SPEED CONTROL



THIS DOCUMENT CONTAINS PROPRIETARY INFORMATION WHICH IS THE PROPERTY OF QSC AUDIO PRODUCTS, THAT MAY NOT BE DISCLOSED, REPRODUCED OR USED WITHOUT EXPRESS WRITTEN CONSENT FROM QSC AUDIO PRODUCTS.





A U D I O

CX 502 Replacement Parts

QSC part #	Description	Qty.	Notes or Component Reference
Misc.			
CH-000122-00	COVER, PLC	1	
CO-000111-00	CONN PLUG 3-PIN EURO GRN	2	
CO-000176-00	TERM SPADE SNAP #6 10/12AWG	8	
TD-000077-00	OWNERS MANUAL CX 2CH 2RU	1	
WC-000139-00	CORD SET 3 COND 15A 125VAC	1	(100V & 120V models)
WC-000054-00	CORDSET 3-COND 220-230 VAC 10A	1	(230V models)
WP-000097-00	LOCKOUT PLATE ASSY DCA/CX	1	
WP-000100-00	CHASSIS ASSY, CX 502 (120V)	1	(120V models)
WP-000100-01	CHASSIS ASSY, CX 502 (100V)	1	(100V models)
WP-000100-02	CHASSIS ASSY, CX 502 (230V)	1	(230V models)
WP-000100-00 (120V); WP-000100-01 (100V); WP-000100-02 (230V) Chassis Assembly			
CH-000112-00	SHIELD, AC, PLX	1	
CH-000118-00	RACK EAR, PL2 2SP	2	
CH-000119-00	CHASSIS, PLC	1	
CO-000169-00	CONN IEC AC INLET	1	
HW-060090-SO	#6-32 X 9/16" HEX STANDOFF	2	
LB-000052-00	LABEL, UL/cUL APPROVAL	1	
LB-000053-00	LBL, FRENCH, FUSE REPLACEMENT	1	
LB-000077-00	LABEL, WARNING, HIGH ENERGY	1	
LB-000254-00	LABEL, INPUT/OUTPUT CX	1	
LB-000256-00	LABEL, FACEPLATE CX 502	1	
LB-160226-01	LABEL, FUSE, UL CAUT. 15A 250V	1	(230V models)
LB-160226-05	LABEL, FUSE, UL CAUT. 25A 125V	1	(100V & 120V models)
PL-000095-00	FAN INTERFACE PLX	1	
PL-000136-00	KNOB, FAB, PLX PLATFORM	2	
PL-000144-00	INSULATOR, FAN DUCT PL2	1	
SC-025000-PP	SCREW M2.5 X 6MM TYPE 1 PH BLK	4	
SC-040041-PP	#4-40 X 1/4" P/P BLACK	2	
SC-060042-PP	#6-32 X 1/4" P/P BLACK, SEMS, IT	2	
SC-060060-PS	SCREW 6-32 X .375 SEMS EXTL ZC	3	
SC-080122-HC	SCREW HEX CAP 8-32 X 3/4" BLK	2	
SC-082051-PL	SCREW, TAPPAN PH#8X5/16" "B" BK	13	
SC-083081-PL	SCREW 8-18X1/2" P/P BLK B STL	2	
SW-000037-00	SWITCH, POWER, DPST ROCKER, BLK	1	
WC-000138-00	CABLE ASSY AC DCA/CX	1	
WP-000057-00	FAN ASSY, 3.15" 24VDC W/5.5L"	1	
WP-000101-00	PCB ASSY, CX 502 (120V)	1	(120V models)
WP-000101-01	PCB ASSY, CX 502 (100V)	1	(100V models)
WP-000101-02	PCB ASSY, CX 502 (230V)	1	(230V models)

QSC part #	Description	Qty.	Notes or Component Reference
WP-000057-00 Fan Assembly			
CO-000108-00	CONN PLUG 2-POS BLUE 26AWG	1	
MS-000085-00	FAN, 3.15", 24VDC	1	
WP-000101-00 (120V); WP-000101-01 (100V); WP-000101-02 (230V) PC Board Assembly			
CA-010002-30	CAP 10PF 5% 50V 0805 SMT	2	C14, C49
CA-015002-10	CAP CER 15PF 10% 500V SL	2	C16, C50
CA-047002-30	CAP CER 47PF 5% 50V NPO SMT	2	C99, C100
CA-110001-10	CAP SM 100PF, 5%, 500V	1	C147
CA-110002-30	CAP CER 100PF 5% 50V NPO SMT	8	C5, C6, C9, C18, C40, C41, C43, C53
CA-133001-10	CAP SM 330PF 5% 500V	2	C145, C146
CA-147003-30	CAP 470PF 5% 50V 1206 SMT	16	C1, C2, C4, C17, C26, C36, C37, C52, C61, C119, C121, C148, C181, C182, C186, C188
CA-168003-30	CAP CER 680PF 5% 50V NPO SMT	2	C25, C60
CA-210005-30	CAP .001UF 5% 50V 1206 SMT	11	C75, C81, C85, C93-C96, C120, C124, C195, C196
CA-222001-00	CAP CER Y .0022UF 20% 125VAC	2	C122, C127
CA-227001-30	CAP CER .0027UF 10% 100V 0805	11	C20, C23, C24, C55, C58, C59, C68, C98, C108, C109, C128
CA-233001-10	CAP MYLAR .0033UF 10% 100V	1	C113
CA-233002-00	CAP CER Y .0033UF 20% 125VAC	2	C115, C118
CA-322001-10	CAP MYLAR .022UF 10% 100V	2	C27, C62
CA-347001-10	CAP MYLAR .047UF 5% 50V	2	C8, C44
CA-410001-00	CAP MET POLY X.1UF 20% 250VAC	1	C126
CA-410002-10	CAP MYLAR .1UF 5% 100V	2	C12, C47
CA-410003-10	CAP MET POLY .1UF 10% 250V	6	C28, C63, C129, C134, C156, C157
CA-410006-30	CAP CER .1UF 10% 50V X7R SMT	17	C19, C54, C88, C116, C125, C135, C155, C162, C163, C179, C180, C183, C185, C189, C190, C191, C194
CA-410011-00	CAP MMYL .1UF 10% 400V	2	C107, C123
CA-422001-10	CAP MYLAR .22UF 5% 50V	2	C10, C45
CA-422004-30	CAP CER .22UF 10% 50V X7R SMT	1	C39
CA-447001-00	CAP MET POLY X.47UF 20% 250VAC	1	C117
CA-447003-00	CAP POLYP .47UF 10% 400V	1	C144
CA-510003-10	CAP LYTIC RL 1UF 20% 50V	1	C80
CA-510005-30	CAP LYTIC 1UF 20% 50V SMT	2	C13, C48
CA-510006-00	CAP MPOLY X 1UF 20% 250VAC	2	C110, C112
CA-610002-10	CAP LYTIC RL 10UF 20% 35V	5	C3, C38, C86, C114, C192
CA-610006-30	CAP LYTIC 10UF 20% 16V SMT	1	C184
CA-647001-10	CAP LYTIC RL 47UF 10% 10V NP	11	C7, C11, C42, C46, C71, C91, C92, C102, C104-106
CA-647002-10	CAP LYTIC RL 47UF 20% 50V	5	C21, C22, C56, C57, C89
CA-710002-10	CAP LYTIC RL 100UF 20% 25V	8	C15, C33, C72, C78, C79, C139, C142, C143
CA-710004-10	CAP LYTIC RL 100UF 20% 25V	3	C138, C149, C150
CA-747001-10	CAP LYTIC RL 470UF 20% 16V	7	C73, C74, C76, C77, C82, C83, C131
CA-747004-00	CAP LYTIC RL 470UF 20% 100V	10	C152, C153, C159, C160, C165, C166, C169, C170, C173, C174
CA-822200-AE	CAP LYTIC RL 2200UF 20% 200V	4	C132, C133, C136, C137
CH-000102-00	HEATSINK, AUDIO, PLX	4	
CH-000103-00	SPRING, CLAMP, 2 HOLE	9	
CH-000104-00	HEATSINK PS PLX	2	
CH-000114-00	CLAMP, 2 FINGER PLX	2	
CH-000120-00	BRACKET B-STRIP 6	1	
CO-000009-ZT	Z-TAB ON TAPE AND REEL	3	J19-J21
CO-000106-00	CONN HD15 PIN RT ANGLE PC MT	1	J17
CO-000148-00	CONN XLR F VERT PCB	2	J2, J10
CO-000155-00	HEADER PCB .100 2-POSITION	1	J13
CO-000161-00	CONN BLK HDR 3-PIN EURO OPEN	2	J16, J18
CO-000170-00	CONN BARRIER 6-POS W/COVER	1	J12
HW-000001-FC	FUSE CLIPS	2	REF: F1

QSC part #	Description	Qty.	Notes or Component Reference
HW-040001-00	BRACKET,#4-40 THD,RT ANGLE	2	
IC-000024-00	IC REG PWM 40V 0.1A SG3525A	1	U19
IC-000046-30	IC LIN DUAL OP AMP TLO72 SO-8	2	U11, U12
IC-000047-30	IC LIN DUAL COMP LM393 SO-8	1	U10
IC-000048-30	IC LIN DUAL OP AMP MC33078	2	U1, U6
IC-000051-00	IC OPTO-ISO TCMT1101	2	U15, U17
IC-000053-30	IC LIN SMT DUAL TIMER LM556	1	U14
IC-000054-30	IC LIN SMT QUAD COMP LM339AM	1	U13
IC-000073-30	IC LIN DUAL OP AMP LM13600	1	U3
IC-000134-00	IC CMOS HV DRVR IR2110	1	U18
IC-000135-00	IC LIN PWM SWITCH TOP 210	1	U16
IC-005532-OP	IC LIN DUAL OP AMP 5532 EX/MPA	2	U2, U7
LB-000259-00	LABEL, OUTPUT, CX 2CH 2RU	1	
MS-000048-HS	HEAT SINK, ISOL TO-220	1	REF: Q91
MS-000112-00	FUSE 25A 125V 3AG FAST CER	1	F1 (120V & 100V models)
MS-150250-FU	FUSE 15A 250V 3AG FAST CER	1	F1 (230V models)
MS-000115-30	FUSE 0.5A 32V SMT 1206 FAST	1	R314
PA-000017-00	LED, GRN, SPACER ASSEMBLY	7	LD2, LD3, LD4, LD7, LD8, LD9, LD11
PA-000018-00	LED, YEL, SPACER ASSEMBLY	2	LD1, LD6
PA-000019-00	LED, RED, SPACER ASSEMBLY	2	LD5, LD10
PC-003023-00	PCB, PLC, 2CH	1	
PL-000114-00	INSULATOR, IGBT/RECT HS, PLX	2	
PL-000126-00	SPRING, SEAT, PLX	9	
PL-000128-00	SPACER, LED, .276"	2	REF:R30, R155
PL-000135-00	INSULATOR, MICA 1.25" X 1.75"	1	REF:Q96, Q97
PT-150000-AT	RES VAR IT 500 20% 0.15W CARB	2	VR43, VR166
PT-310004-00	RES VAR IT 10K 20% 0.2W 11MM	2	VR2, VR121
QD-000042-00	DIODE RECT ULTRAFast 400V 3A	2	D70, D71
QD-000062-10	XISTOR NPN TO-92 40V 0.2A 1.5W	2	Q20, Q65
QD-000063-10	XISTOR PNP TO-92 40V 0.2A 1.5W	2	Q21, Q66
QD-000074-00	DIODE RECT TO220 UFAST 400V	4	D74, D75, D80, D81
QD-000076-00	XISTOR NPN TO-220 250V	2	Q27, Q72
QD-000077-00	XISTOR PNP TO-220 250V	2	Q26, Q71
QD-000102-30	DIODE SW 1N4148 SMT 75V 75MA	42	D1-5, D8, D9, D10-D12, D14, D23-D30, D33, D34-D37, D39, D48-D52, D55, D59, D63-D65, D67, D69, D89, D90, D91, D93, D94
QD-000103-30	XISTOR NPN SMT 40V .2A .2W	22	Q5, Q7, Q8, Q9, Q13, Q15, Q18, Q25, Q49, Q50, Q52, Q53, Q54, Q58, Q60, Q63, Q70, Q89, Q90, Q92, Q93, Q95
QD-000104-30	XISTOR PNP SMT 40V .2A .2W	30	Q1-Q4, Q6, Q10, Q11, Q12, Q14, Q23, Q24, Q42, Q43-Q48, Q51, Q55-Q57, Q59, Q68, Q69, Q87, Q88, Q94, Q98, Q99
QD-000105-30	XISTOR NPN SMT 300V .2A .2W	2	Q16, Q61
QD-000106-30	XISTOR PNP SMT 300V .2A .2W	2	Q17, Q62
QD-000108-30	DIODE SMT SWITCH 200V .2A 50NS	8	D13, D16, D38, D41, D61, D68, D78, D79
QD-000110-30	DIODE ZNR 6.2V 5% .3W SMT	2	D56, D92
QD-000113-30	DIODE ZNR 10V 5% .3W SMT	1	D66
QD-000115-30	DIODE SMT RECT 600V 1A	3	D58, D60, D86
QD-000116-30	DIODE RECT SMT 200V 1A	5	D62, D76, D77, D82, D83
QD-000154-00	XISTOR NPN TO-220 230V	2	Q19, Q64
QD-000155-00	XISTOR PNP TO-220 230V	2	Q22, Q67
QD-000156-00	XISTOR PNP TO-220 100V 3A 40W	1	Q91
QD-000162-00	XISTOR IGBT TO247AC 600V 20A	2	Q96, Q97
QD-000170-00	DIODE BRIDGE RECT 600V 50A	1	BR1
QD-001302-PN	XISTOR PNP TO-3P 200V 15A	8	Q28, Q34, Q36, Q39, Q73, Q79, Q81, Q84
QD-003281-NP	XISTOR NPN TO-3P 200V 15A	8	Q29, Q35, Q37, Q40, Q74, Q80, Q82, Q85
QD-004744-ZA	DIODE ZNR 15V 5% 1W 1N4744A	2	D53, D54

QSC part #	Description	Qty.	Notes or Component Reference
QD-005402-DX	DIODE RECT DO27 200V 3A	4	D19, D20, D44, D45
RE-.04703-10	RES MOFFP .47 5% 2W MINI	32	R88, R89, R91, R92, R94, R95, R97, R99, R102, R103, R107, R108, R111–R114, R211, R212, R214, R215, R217, R218, R220, R222, R225, R226, R230, R231, R234–R237
RE-.56002-10	RES MOFFP 5.6 5% 2W MINI	7	R80, R98, R203, R221, R354, R355, R373
RE-000210-NR	THERMISTOR NTC 15A CUR LIM	1	R324
RE-000230-NR	THERMISTOR NTC 10K 5%	2	R30, R155
RE-001003-30	RES SMT 10 OHM 1% 1/8W 1206	4	R353, R356, R358, R359
RE-001502-10	RES MOFFP 15 5% 2W MINI	13	R85–R87, R90, R93, R208, R209, R210, R213, R216, R350, R367, R368
RE-003921-30	RES SMT 39.2 OHM 1% 1/8W 1206	6	R246–R249, R349, R357
RE-004752-30	RES SMT 47.5 1% 1/10W 100V	5	R308, R309, R312, R313, R319
RE-005606-10	RES MOFFP 56 5% 2W MINI	1	R372
RE-007502-30	RES SMT 75 1% 1/10W 100V	4	R5, R6, R123, R124
RE-010002-30	RES SMT 100 1% 1/10W 100V	14	R21, R27, R70, R71, R144, R150, R193, R194, R334, R364, R381, R382–R384
RE-020002-30	RES SMT 200 1% 1/10W 100V	2	R302, R377
RE-027401-30	RES SMT 274 1% 1/10W 100V	8	R67, R68, R81, R82, R190, R191, R204, R205
RE-038301-30	RES SMT 383 1% 1/10W 100V	4	R44, R167, R254, R255
RE-047502-30	RES SMT 475 1% 1/10W 100V	4	R28, R37, R151, R160
RE-053602-30	RES SMT 536 1% 1/10W 100V	4	R22, R146, R361, R374
RE-063402-30	RES SMT 634 1% 1/8W 1206	1	R370
RE-076801-30	RES SMT 768 OHM 1% 1/10W 0805	1	R320
RE-082002-00	RES MOFFP 820 5% 2W	1	R256
RE-093101-30	RES SMT 931 OHM 1% 1/10W 0805	1	R379
RE-110006-30	RES SMT 1.00K 1% 1/8W 1206	11	R1, R7, R42, R117, R118, R128, R165, R232, R250, R252, R369
RE-110009-00	RES MOFFP 1K 5% 2W	3	R276–R278
RE-115002-30	RES SMT 1.50K 1% 1/10W 100V	16	R23, R32, R34, R35, R39, R41, R101, R109, R147, R154, R157, R158, R162, R164, R270, R273
RE-116202-30	RES SMT 1.62K 1% 1/10W 100V	4	R72, R75, R195, R198
RE-117401-30	RES MF 1.74K 1% 1/10W 0805	3	R272, R310, R311
RE-120002-30	RES SMT 2.00K 1% 1/10W 100V	4	R48, R127, R171, R266
RE-122103-30	RES SMT 2.21K 1% 1/10W 100V	10	R47, R170, R240, R264, R265, R267, R306, R307, R347, R348
RE-127003-00	RES MOFFP 2.7K 5% 2W	2	R257, R378
RE-134802-30	RES SMT 3.48K 1% 1/10W 100V	2	R290, R293
RE-146401-30	RES SMT 4.64K 1% 1/10W 100V	4	R297–R300
RE-147502-30	RES SMT 4.75K 1% 1/10W 100V	18	R3, R4, R10, R11, R17, R40, R125, R126, R131, R137, R138, R163, R166, R282, R287, R327, R330, R362
RE-156001-10	RES 5.60K .1% 1/4W 25PPM	8	R8, R9, R12, R13, R129, R130, R135, R136
RE-159002-30	RES SMT 5.90K 1% 1/10W 100V	7	R29, R59, R62, R122, R152, R182, R185
RE-175002-30	RES SMT 7.50K 1% 1/10W 100V	6	R15, R38, R120, R132, R140, R161
RE-178701-30	RES SMT 7.87K 1% 1/10W 100V	3	R291, R294, R360
RE-182005-EM	RES MOFFP 8.2K 5% 2W	1	R251
RE-190902-30	RES SMT 9.09K 1% 1/10W 100V	6	R258, R295, R315, R316-318
RE-210003-30	RES SMT 10.0K 1% 1/10W 100V	8	R121, R305, R336, R338, R363, R366, R375, R376
RE-212702-30	RES SMT 12.7K 1% 1/10W 100V	23	R14, R16, R19, R36, R46, R65, R76, R77, R106, R133, R134, R139, R142, R159, R169, R188, R199, R200, R241, R245, R259, R329, R337
RE-215002-30	RES SMT 15.0K 1% 1/10W 100V	4	R45, R168, R262, R365
RE-216501-CM	RES MF 16.5K 1% 1/2W	2	R31, R153
RE-220002-30	RES SMT 20.0K 1% 1/10W 100V	14	R18, R25, R141, R148, R229, R242, R244, R253, R281, R303, R304, R331, R346, R271
RE-220003-30	RES SMT 20.0K 1% 1/8W 1206	4	R49, R50, R172, R173
RE-224901-30	RES SMT 24.9K 1% 1/10W 100V	1	R325
RE-230002-10	RES MOFFP 30K 5% 2W MINI	2	R351, R352

QSC part #	Description	Qty.	Notes or Component Reference
RE-239202-30	RES SMT 39.2K 1% 1/10W 100V	10	R20, R60, R61, R143, R183, R184, R243, R261, R323, R332
RE-247503-30	RES SMT 47.5K 1% 1/10W 100V	4	R26, R149, R343, R224
RE-269801-30	RES SMT 69.8K 1% 1/8W (1206)	5	R283–R286, R296
RE-310002-30	RES SMT 100K 1% 1/10W 100V	3	R33, R119, R156
RE-310003-30	RES SMT 100K 1% 1/8W 1206	9	R73, R74, R196, R197, R268, R341, R342, R344, R345
RE-315002-30	RES MF 150K 1% 1/8W 1206	6	R51, R53, R174, R176, R333, R335
RE-339201-30	RES SMT 392K 1% 1/10W 100V	5	R24, R145, R260, R263, R340
RE-348702-30	RES MF 487K 1% 1/8W 1206	4	R321, R322, R326, R328
RE-375005-BM	RES MF 750K 5% 1/2W 100PPM	2	R339, R371
RE-410001-30	RES SMT 1.0 MEG OHM 1% 1/8W	2	R289, R292
SC-040041-PP	#4-40 X 1/4" P/P BLACK	2	
SC-063100-PP	#6-20 X 5/8" "AB" TYPE 1 XRECE	20	
SC-081101-SP	#8-18 X 5/8", TYPE 1 P/P BLACK	4	
SW-000029-SW	RELAY, SPKR PROTECT,SPDT,24VDC	1	K1
SW-000053-00	SWITCH DIP 10-POS, TALL	1	SW1
WC-0.2020-JW	JMPR BARE 0.2" 20AWG SLD	4	D21, D22, D46, D47
WC-0.5018-JW	JMPR INS 0.5" 18AWG SLD WHT	2	J120 (100V & 120V models); J240 (230V models); D88
WC-000002-10	JUMPER 22GA BARE SOLID	3	W1, W2, D87
WC-000103-00	CABLE ASSY, 20 PIN 9"L	3	REF: J3, J4, J5, J6, J14, J15; J3 TO 4, J5 TO 6, J14 TO 15
WC-000115-00	AC SWITCH WIRE, BLK, LONG	1	REF: ES2, TO SWITCH
WC-000115-01	AC SWITCH WIRE, RED, SHORT	1	REF: ES1, TO SWITCH
WC-000117-00	SPEAKER WIRE, BLACK	1	REF: E12A-12C
WC-000117-01	SPEAKER WIRE, WHITE	1	REF: E9A-9C
WC-000117-02	SPEAKER WIRE, GREY	1	REF: E11A-11C
WC-000117-03	SPEAKER WIRE, BLACK	1	REF: E10A-10C
WC-000118-00	WIRE ASSY, BLK, LONG	1	REF: EH1-EH2
WC-000118-01	WIRE ASSY, RED, SHORT	1	REF: EL1-E120A (100V & 120V models)
XF-000005-00	BEAD FERRITE W/20AWG LEAD	2	L9, L10
XF-000023-00	CHOKE COMMON MODE 2.2MH	2	L3, L4
XF-000061-00	INDUCTOR TOROID 1.9UH 13GA	1	L6
XF-000064-00	XFMR AMP HOUSEKEEPING PLC	1	T1
XF-000066-00	INDUCTOR AIR 2UH 14/20GA	2	L1, L2
XF-000183-00	XFMR PWR DCA 3422	1	T2 (120V & 230V models)
XF-000188-00	XFMR PWR DCA 3422 (100V)	1	T2 (100V models)

