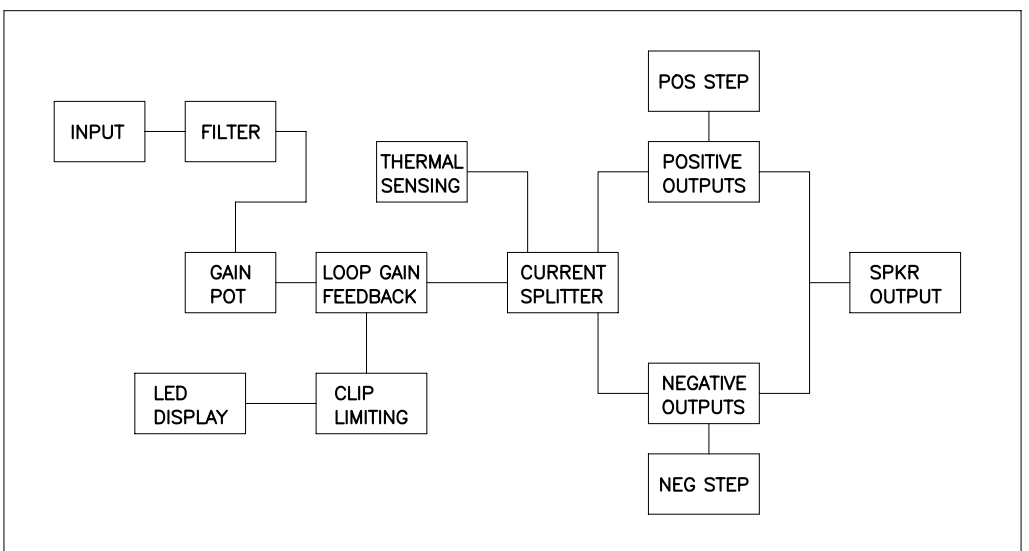
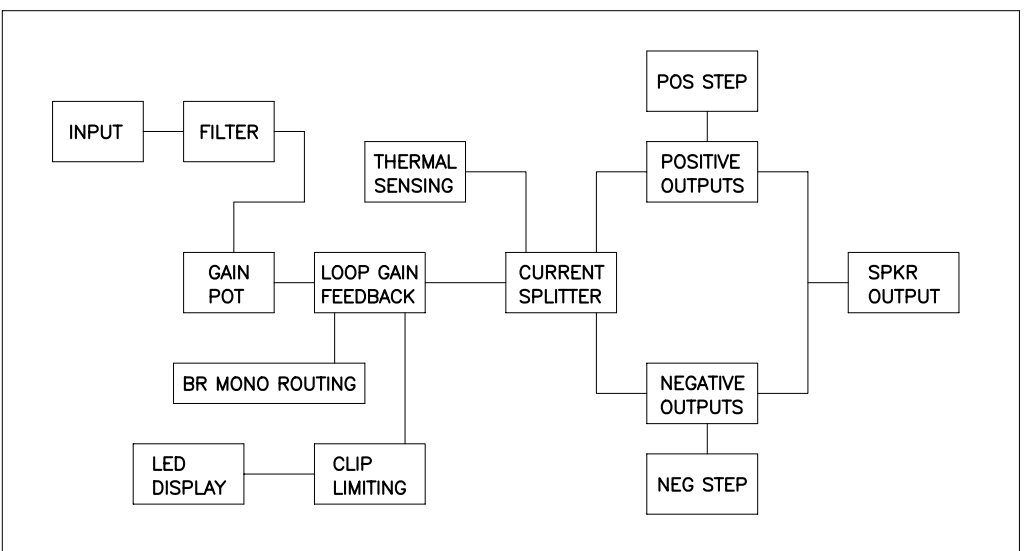


THIS DOCUMENT CONTAINS PROPRIETARY INFORMATION WHICH IS THE PROPERTY OF QSC AUDIO PRODUCTS, THAT MAY NOT BE DISCLOSED, REPRODUCED OR USED WITHOUT EXPRESS WRITTEN CONSENT FROM QSC AUDIO PRODUCTS.

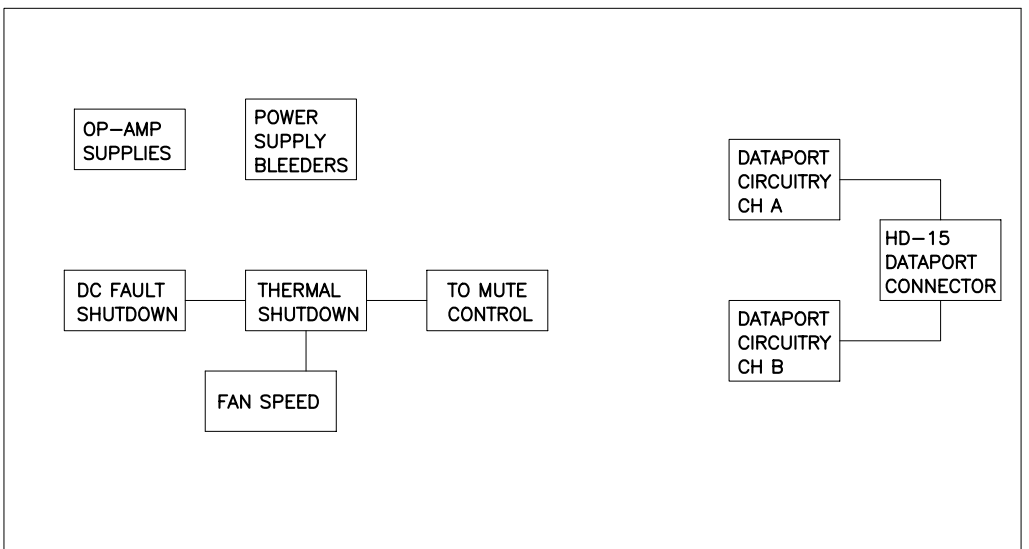
REVISION				
REV	DESCRIPTION	EFF. DATE	CHK	APPROVED / DATE
A	PRODUCTION RELEASE PER ECO 6947 AA	12-23-05	RAB	DD



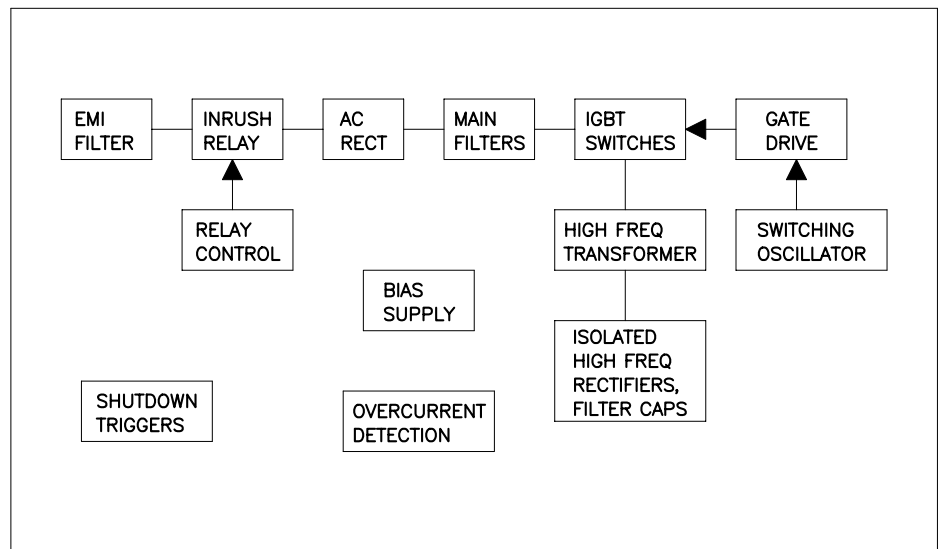
CHANNEL A
AUDIO CIRCUITS
SHEET 2



CHANNEL B
AUDIO CIRCUITS
SHEET 3



SUPPORT,
PROTECTION
AND DATAPORT
CIRCUITS
SHEET 4



SWITCHING
POWER
SUPPLY
SHEET 5

TABULATION BLOCK			
DASH NO.	F1	1	R321, 322, 326, 328 2
-00 (120V)	25A, 125V		487K
-01 (100V)	30A, 125V		392K
-02 (230V)	15A, 250V		487K

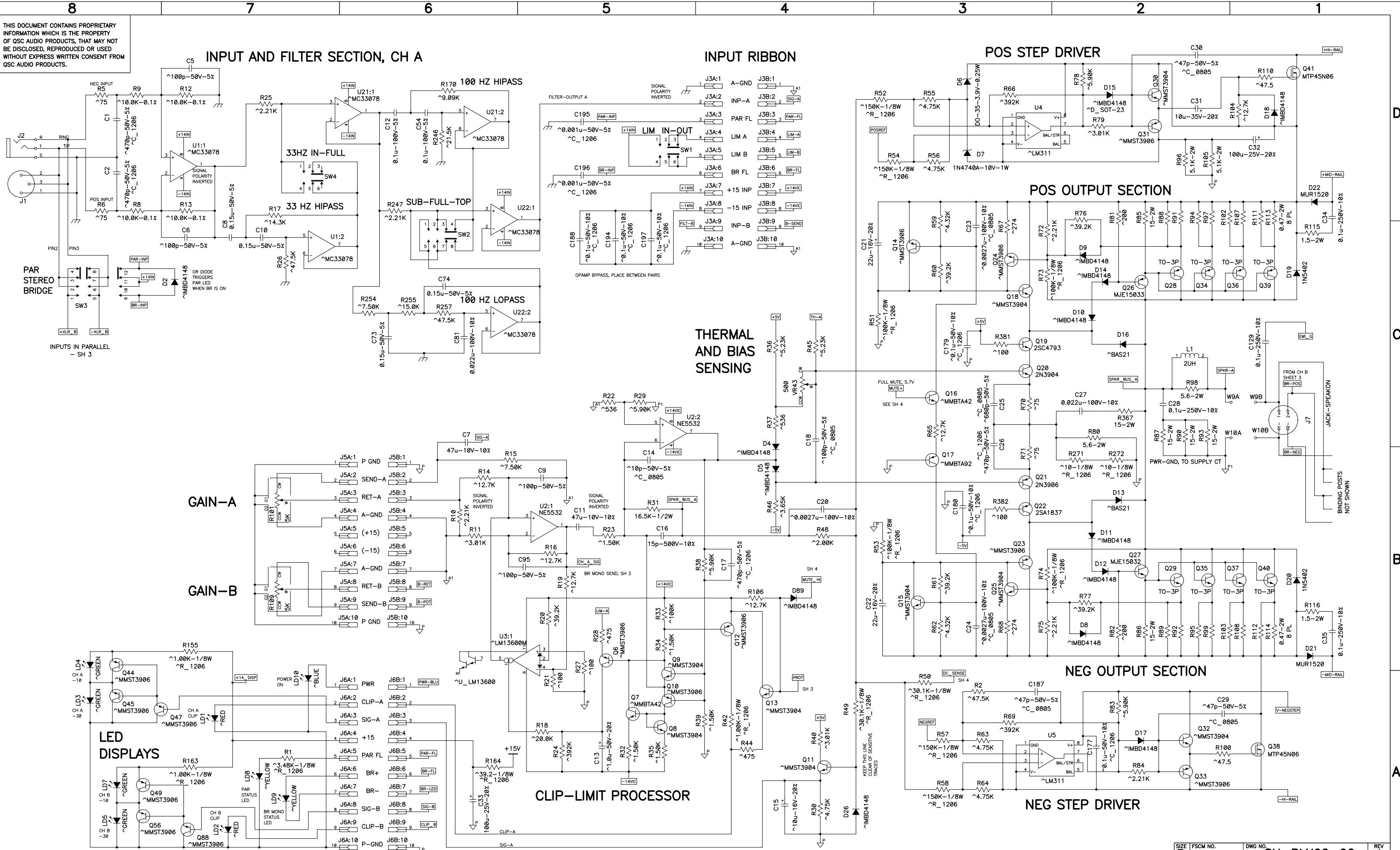
QTY	ITEM NO.	PART NO.	DESCRIPTION	VENDOR
UNLESS OTHERWISE SPECIFIED DIMENSIONS ARE IN INCHES. DIMENSIONS PER ANSI Y14.5-1982 TOLERANCES ARE: DECIMALS DECIMALS ANGLES .XX ± .XXX ± ° DEBURR EDGES .XXX R MAX MATERIAL FINISH				
CONTRACT NO.		QSC AUDIO PRODUCTS, INC. COSTA MESA, CALIFORNIA		
APPROVALS		DATE		
DRAWN PAT QUILTER		6-24-05		
CHECKED R. BECKER		X		
ISSUED D. DELARM		X		
CAD SEED FILE NO.		PLOT DATE: Tue Apr 29, 2008		
APPLICATION		DO NOT SCALE DRAWING		
NEXT ASSY		USED ON		

2. COMPONENTS WITH VALUE PREFIXED WITH A "*" REPRESENT SMT COMPONENTS.
1. THIS DRAWING USED IN CONJUNCTION WITH ASSEMBLY WP-003102-XX.
NOTES: UNLESS OTHERWISE SPECIFIED

DWG NO. SH-003103-00 REV 1

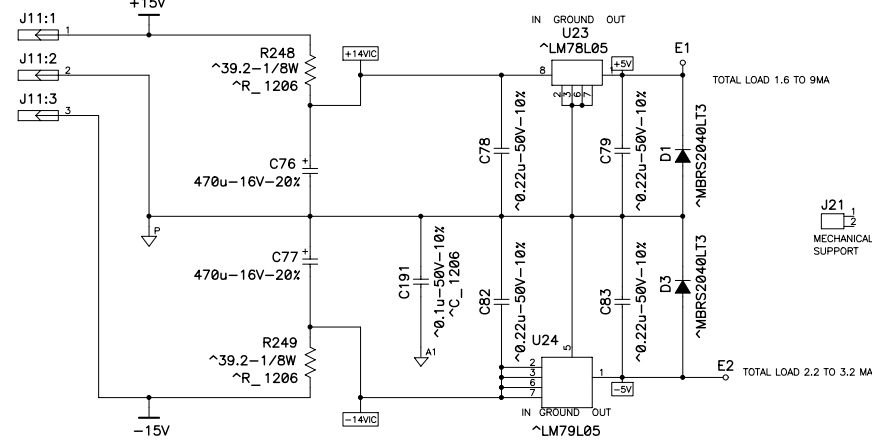
A 1 SH-003103-00

THIS DOCUMENT CONTAINS PROPRIETARY INFORMATION WHICH IS THE PROPERTY OF QSC AUDIO PRODUCTS, THAT MAY NOT BE DISCLOSED, REPRODUCED OR USED WITHOUT EXPRESS WRITTEN CONSENT FROM QSC AUDIO PRODUCTS.

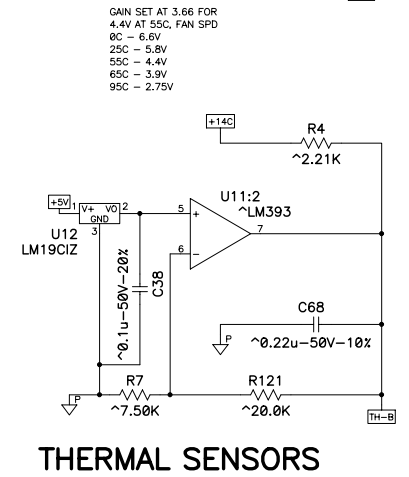
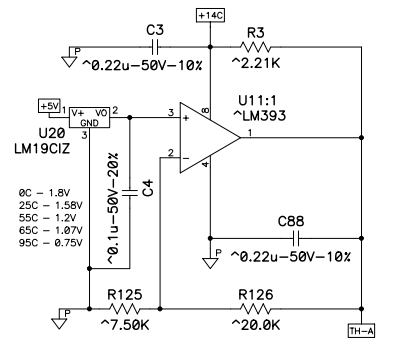
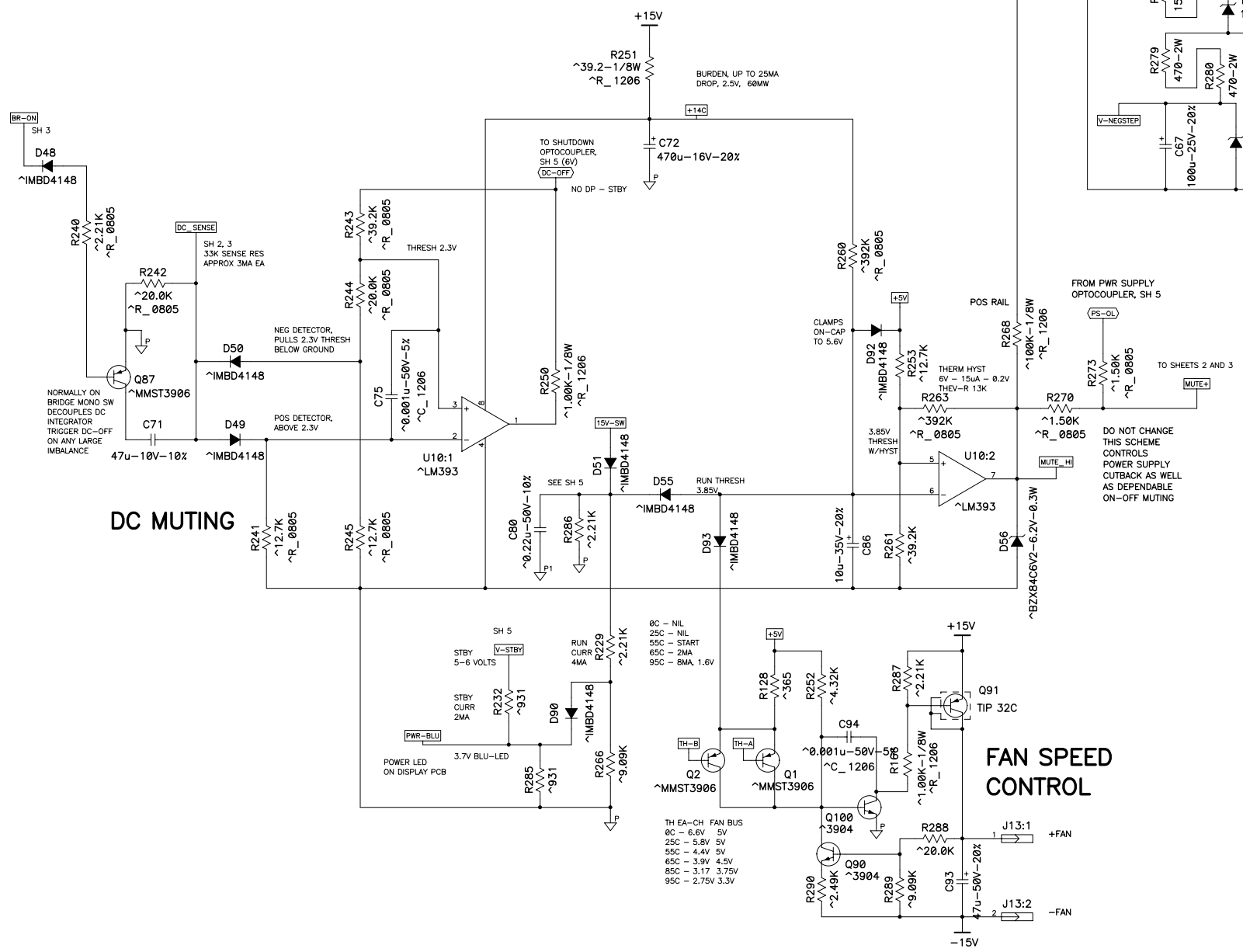
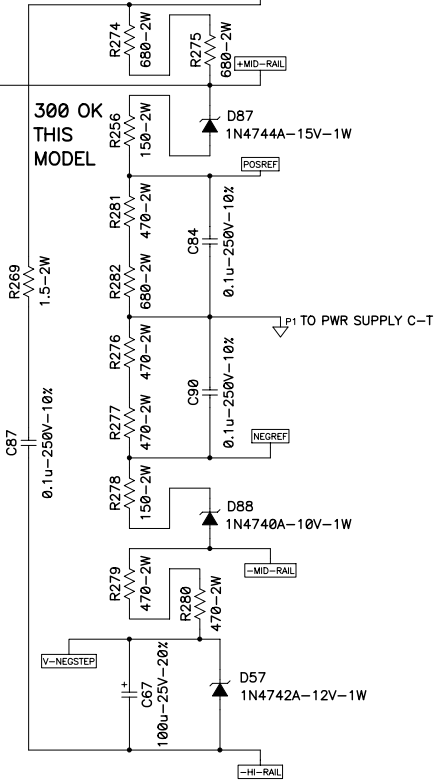


THIS DOCUMENT CONTAINS PROPRIETARY INFORMATION WHICH IS THE PROPERTY OF QSC AUDIO PRODUCTS, THAT MAY NOT BE DISCLOSED, REPRODUCED OR USED WITHOUT EXPRESS WRITTEN CONSENT FROM QSC AUDIO PRODUCTS.

OPAMP POWER SUPPLIES



BLEEDER LOAD, 1460R



THIS DOCUMENT CONTAINS PROPRIETARY INFORMATION WHICH IS THE PROPERTY OF QSC AUDIO PRODUCTS, THAT MAY NOT BE DISCLOSED, REPRODUCED OR USED WITHOUT EXPRESS WRITTEN CONSENT FROM QSC AUDIO PRODUCTS.

