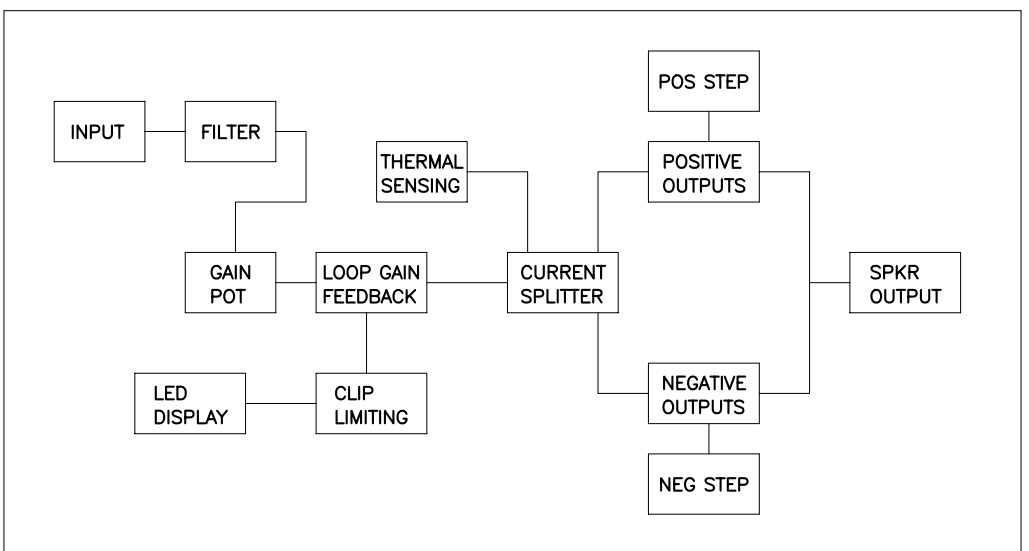
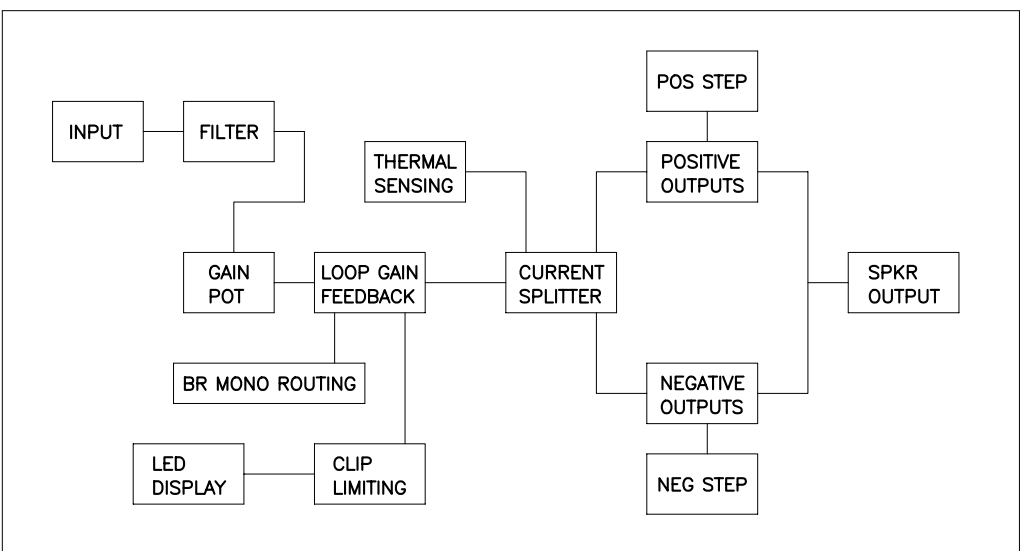


THIS DOCUMENT CONTAINS PROPRIETARY INFORMATION WHICH IS THE PROPERTY OF QSC AUDIO PRODUCTS, THAT MAY NOT BE DISCLOSED, REPRODUCED OR USED WITHOUT EXPRESS WRITTEN CONSENT FROM QSC AUDIO PRODUCTS.

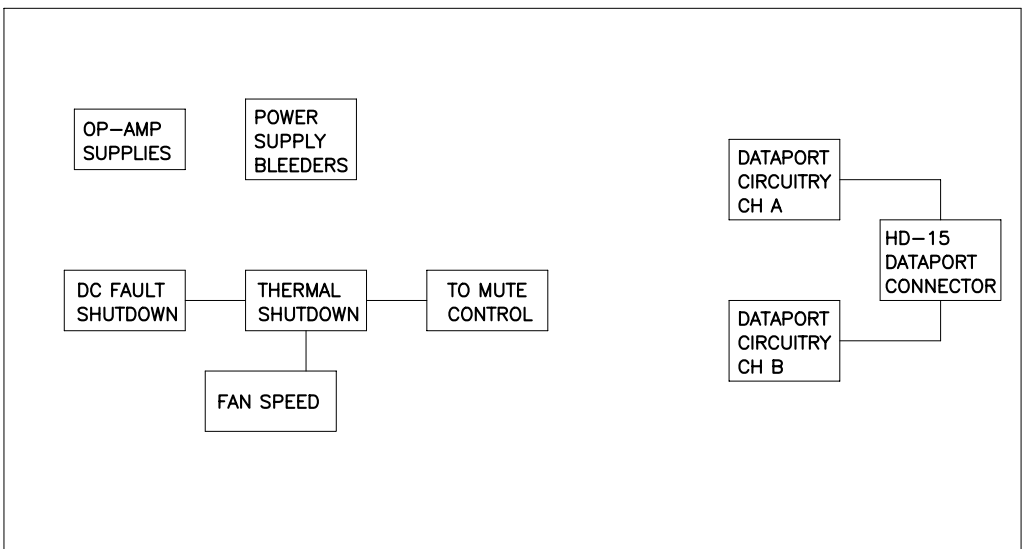
| REVISION | | | | |
|----------|------------------------------------|-----------|-----|-----------------|
| REV | DESCRIPTION | EFF. DATE | CHK | APPROVED / DATE |
| A | PRODUCTION RELEASE PER ECO 6947 AA | 12-23-05 | RAB | DD |
| | | | | |
| | | | | |
| | | | | |
| | | | | |



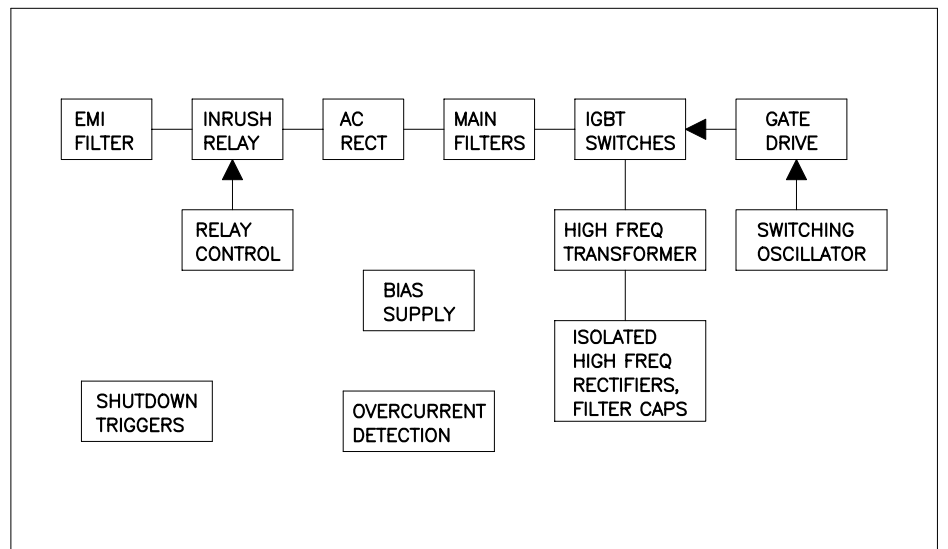
CHANNEL A
AUDIO CIRCUITS
SHEET 2



CHANNEL B
AUDIO CIRCUITS
SHEET 3



SUPPORT,
PROTECTION
AND DATAPORT
CIRCUITS
SHEET 4



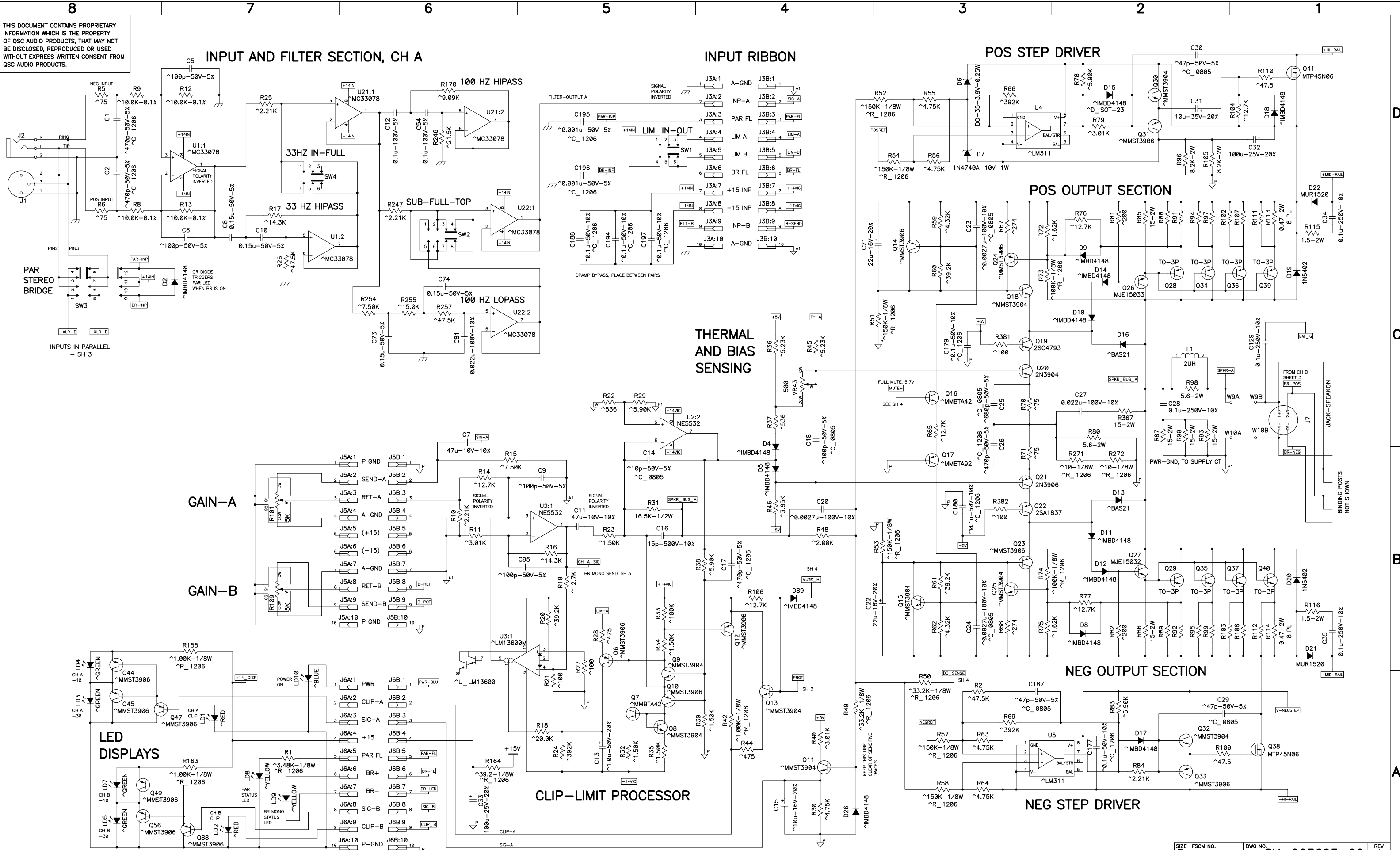
SWITCHING
POWER
SUPPLY
SHEET 5

| TABULATION BLOCK | | | |
|------------------|-----------|---|-----------------------|
| DASH NO. | F1 | 1 | R321, 322, 326, 328 2 |
| -00 (120V) | 25A, 125V | | 487K |
| -01 (100V) | 30A, 125V | | 392K |
| -02 (230V) | 15A, 250V | | 487K |

| QTY | ITEM NO. | PART NO. | DESCRIPTION | VENDOR |
|--|----------|----------|--|----------------------|
| UNLESS OTHERWISE SPECIFIED DIMENSIONS ARE IN INCHES. DIMENSIONS PER ANSI Y14.5-1982 TOLERANCES ARE: DECIMALS DECIMALS ANGLES .XX ± .XXX ± ° DEBURR EDGES .XXX R MAX MATERIAL FINISH | | | | |
| NEXT ASSY | | USED ON | APPLICATION | DO NOT SCALE DRAWING |
| CONTRACT NO. | | | QSC AUDIO PRODUCTS, INC. COSTA MESA, CALIFORNIA | |
| APPROVALS | | DATE | SCHEMATIC DIAGRAM PLX3602 | |
| DRAWN PAT QUILTER | | 6-24-05 | SIZE D FSCM NO. DWG NO. SH-003603-00 REV A | |
| CHECKED R. BECKER | | X | SCALE NONE CAD FILE NO. SH3602A1.sch SHEET 1 OF 5 | |
| ISSUED D. DELARM | | X | PLOT DATE: Tue Apr 29, 2008 | |
| CAD SEED FILE NO. | | F:\DM2 | | |

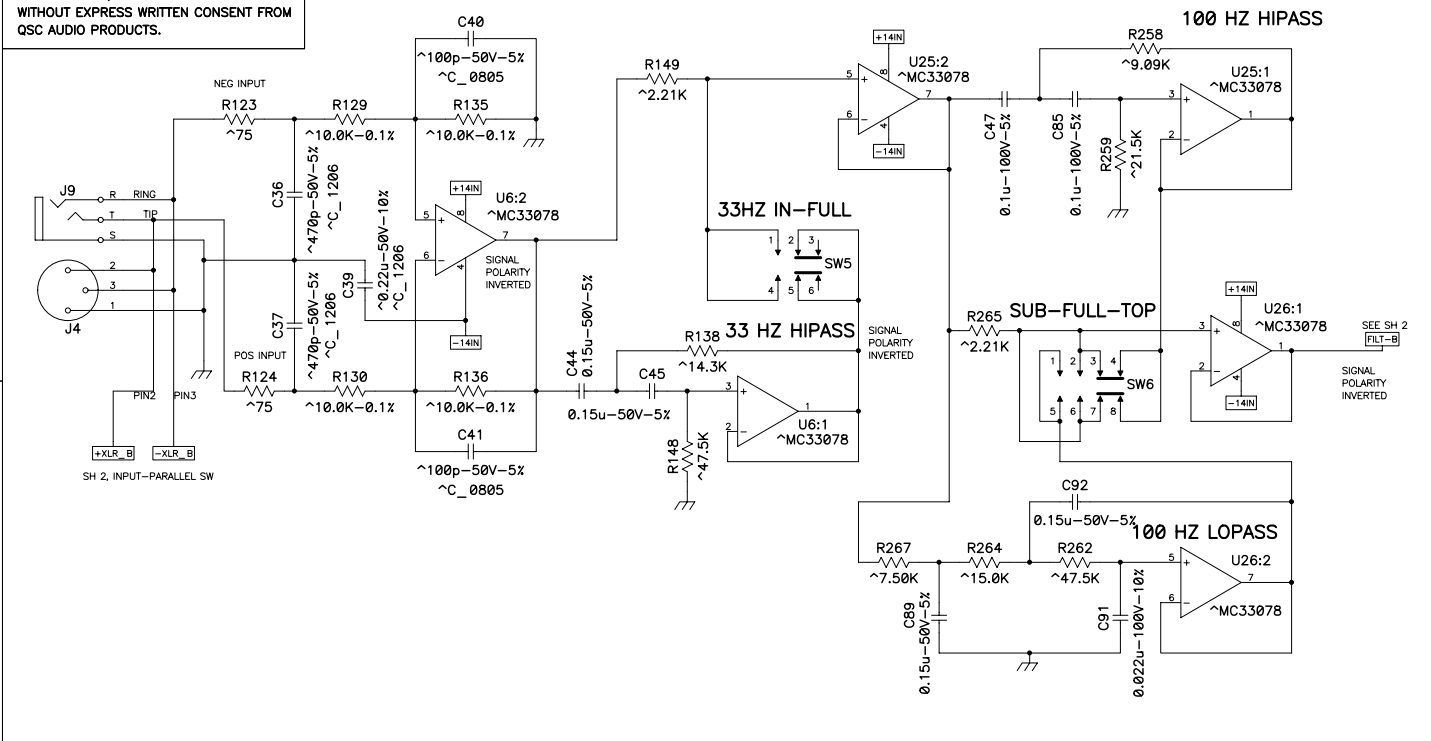
2. COMPONENTS WITH VALUE PREFIXED WITH A "*" REPRESENT SMT COMPONENTS.
1. THIS DRAWING USED IN CONJUNCTION WITH ASSEMBLY WP-003602-XX.
NOTES: UNLESS OTHERWISE SPECIFIED

THIS DOCUMENT CONTAINS PROPRIETARY INFORMATION WHICH IS THE PROPERTY OF QSC AUDIO PRODUCTS, THAT MAY NOT BE DISCLOSED, REPRODUCED OR USED WITHOUT EXPRESS WRITTEN CONSENT FROM QSC AUDIO PRODUCTS.

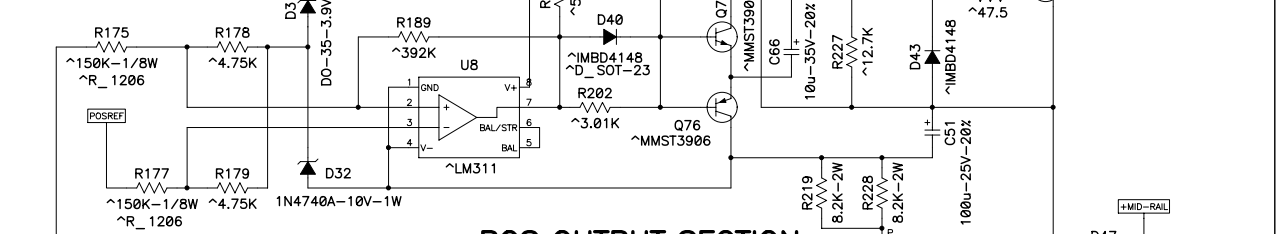


THIS DOCUMENT CONTAINS PROPRIETARY INFORMATION WHICH IS THE PROPERTY OF QSC AUDIO PRODUCTS, THAT MAY NOT BE DISCLOSED, REPRODUCED OR USED WITHOUT EXPRESS WRITTEN CONSENT FROM QSC AUDIO PRODUCTS.

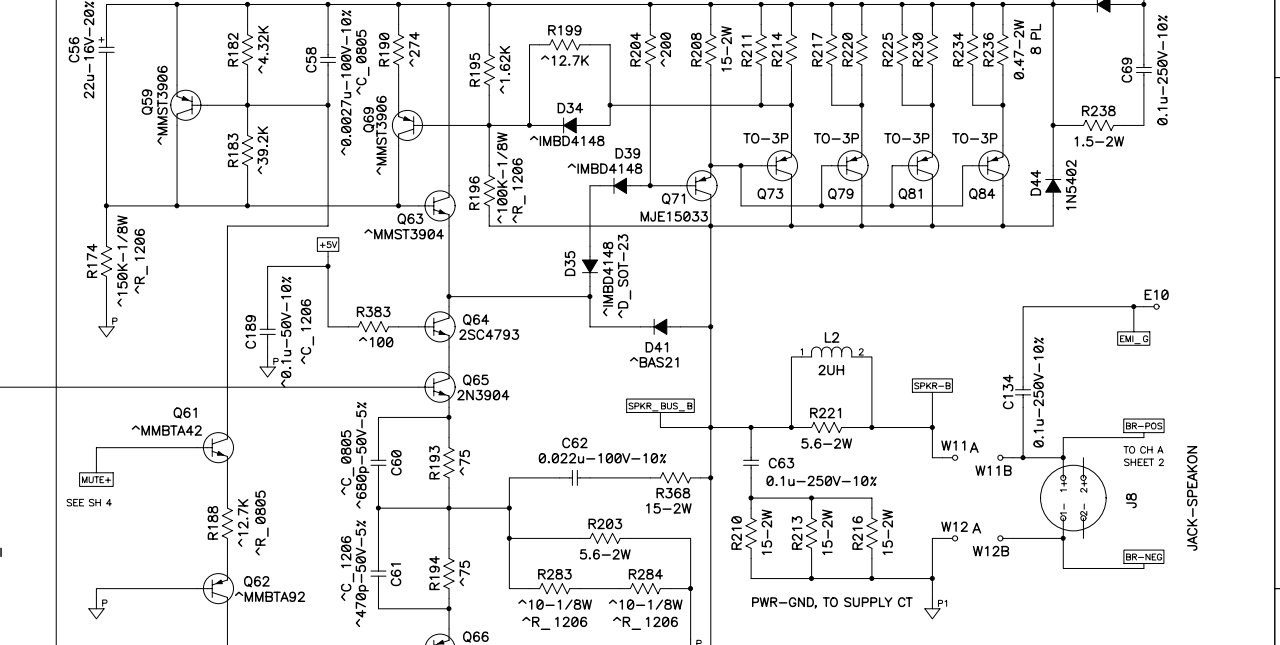
INPUT AND FILTER SECTION, CH B



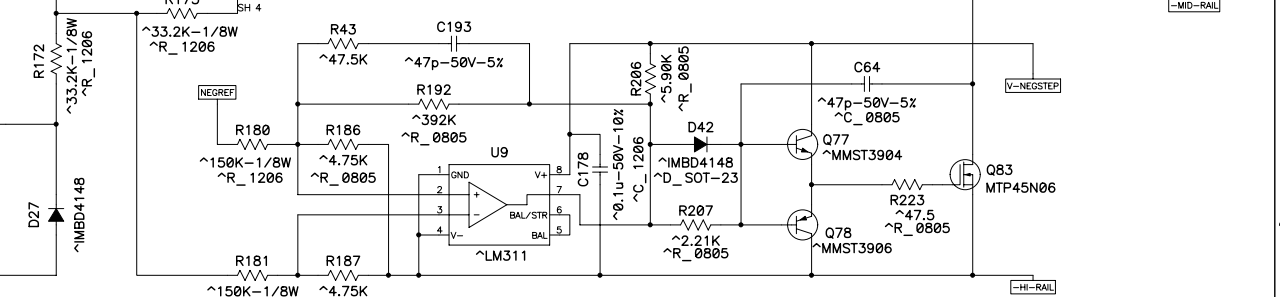
POS STEP DRIVER



POS OUTPUT SECTION



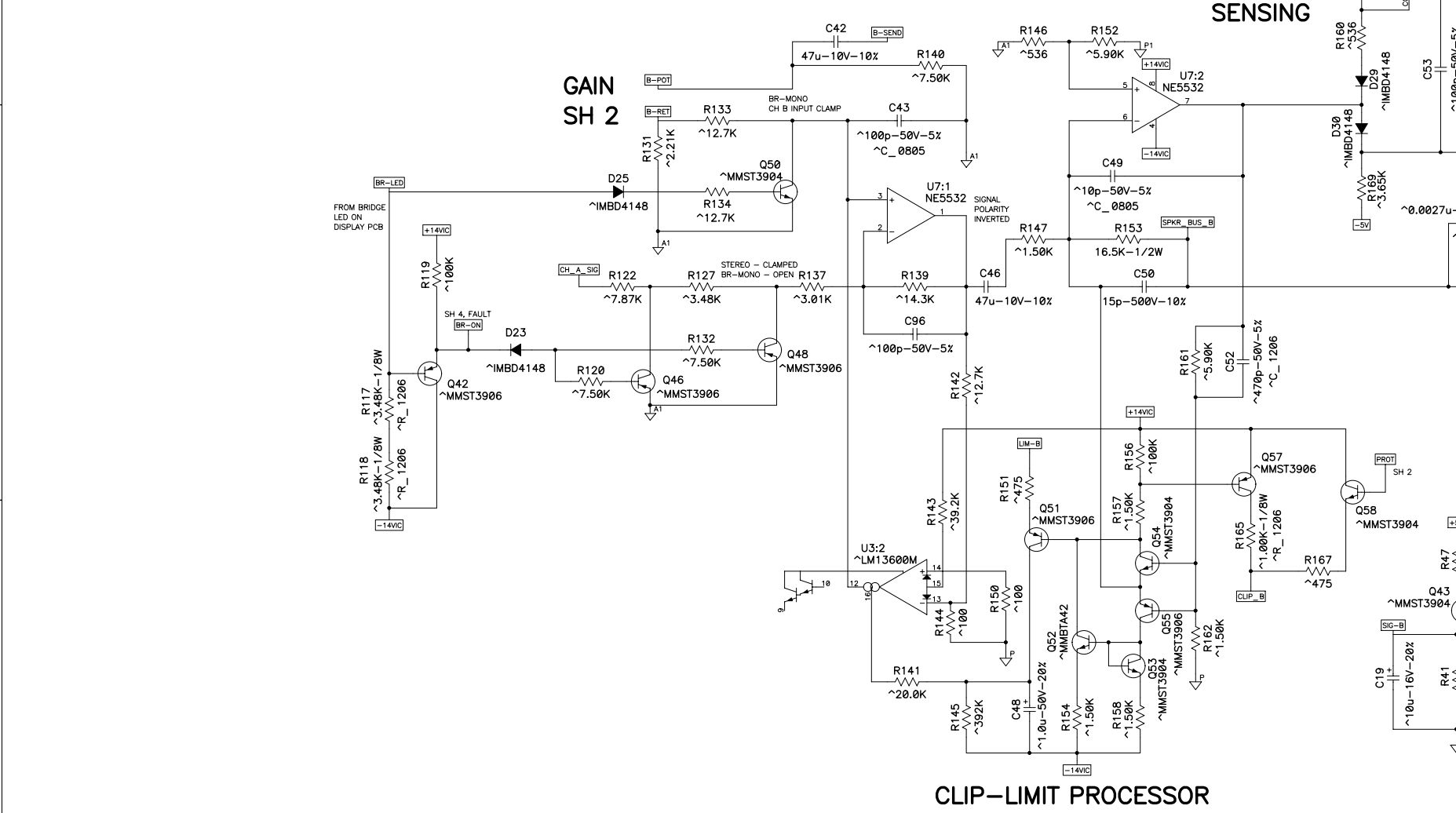
NEG OUTPUT SECTION



NEG STEP DRIVER



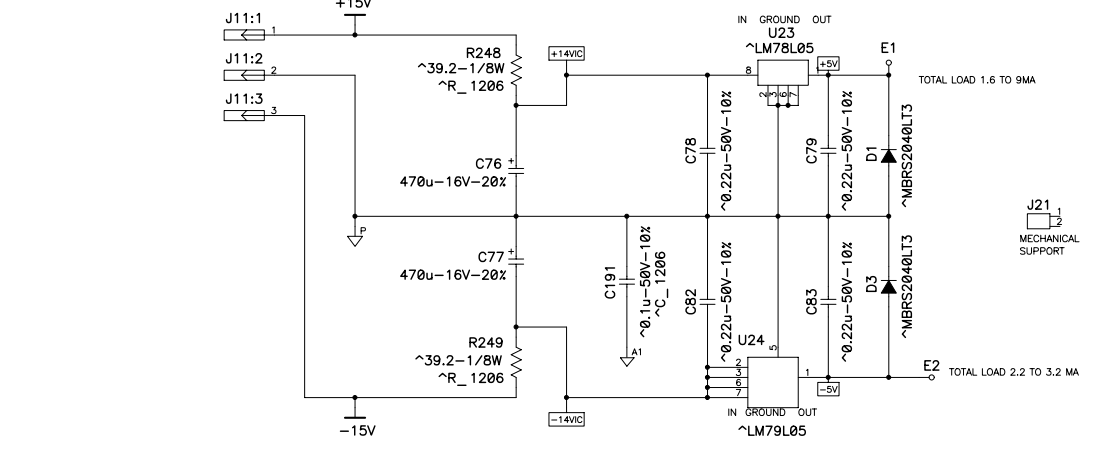
CLIP-LIMIT PROCESSOR



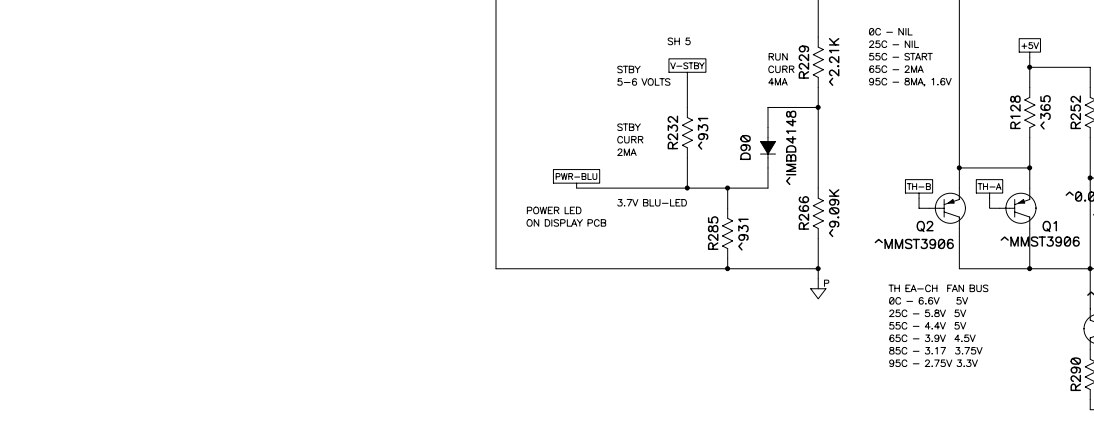
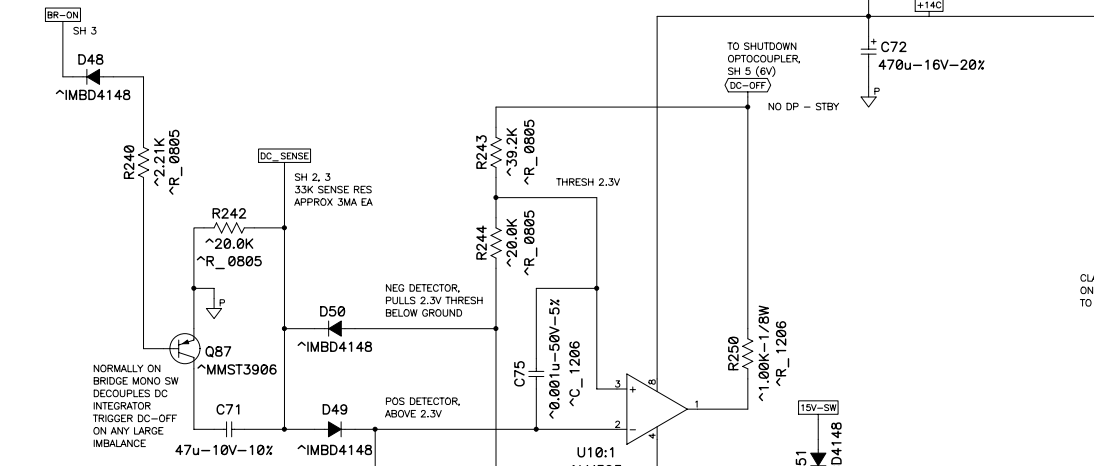
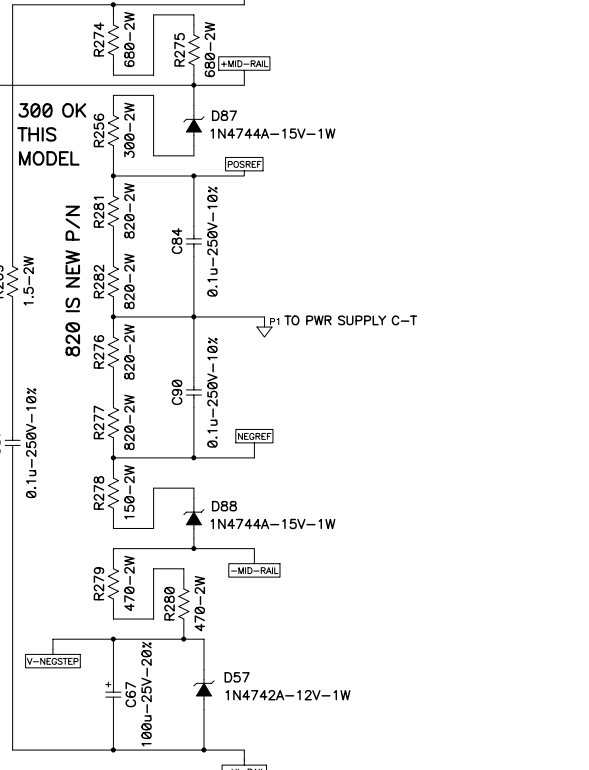
THERMAL AND BIAS SENSING

THIS DOCUMENT CONTAINS PROPRIETARY INFORMATION WHICH IS THE PROPERTY OF QSC AUDIO PRODUCTS. THAT MAY NOT BE DISCLOSED, REPRODUCED OR USED WITHOUT EXPRESS WRITTEN CONSENT FROM QSC AUDIO PRODUCTS.

OPAMP POWER SUPPLIES



BLEEDER LOAD, 1460R



THIS DOCUMENT CONTAINS PROPRIETARY INFORMATION WHICH IS THE PROPERTY OF QSC AUDIO PRODUCTS. THAT MAY NOT BE DISCLOSED, REPRODUCED OR USED WITHOUT EXPRESS WRITTEN CONSENT FROM QSC AUDIO PRODUCTS.

