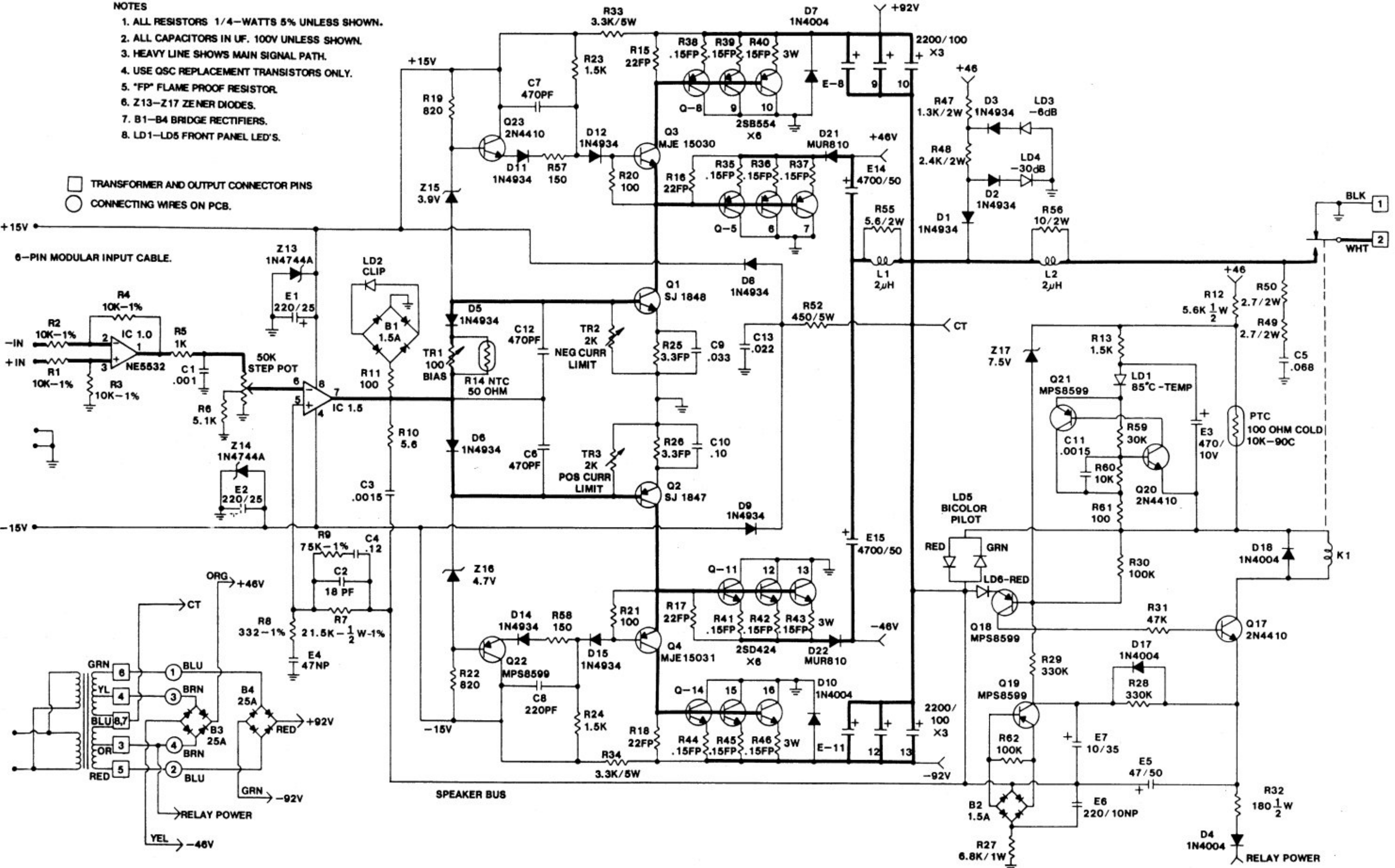


NOTES

1. ALL RESISTORS 1/4-WATTS 5% UNLESS SHOWN.
2. ALL CAPACITORS IN UF. 100V UNLESS SHOWN.
3. HEAVY LINE SHOWS MAIN SIGNAL PATH.
4. USE QSC REPLACEMENT TRANSISTORS ONLY.
5. *FP* FLAME PROOF RESISTOR.
6. Z13-Z17 ZENER DIODES.
7. B1-B4 BRIDGE RECTIFIERS.
8. LD1-LD5 FRONT PANEL LED'S.

- TRANSFORMER AND OUTPUT CONNECTOR PINS
- CONNECTING WIRES ON PCB.



SH-350000-FM 3500 Schematic