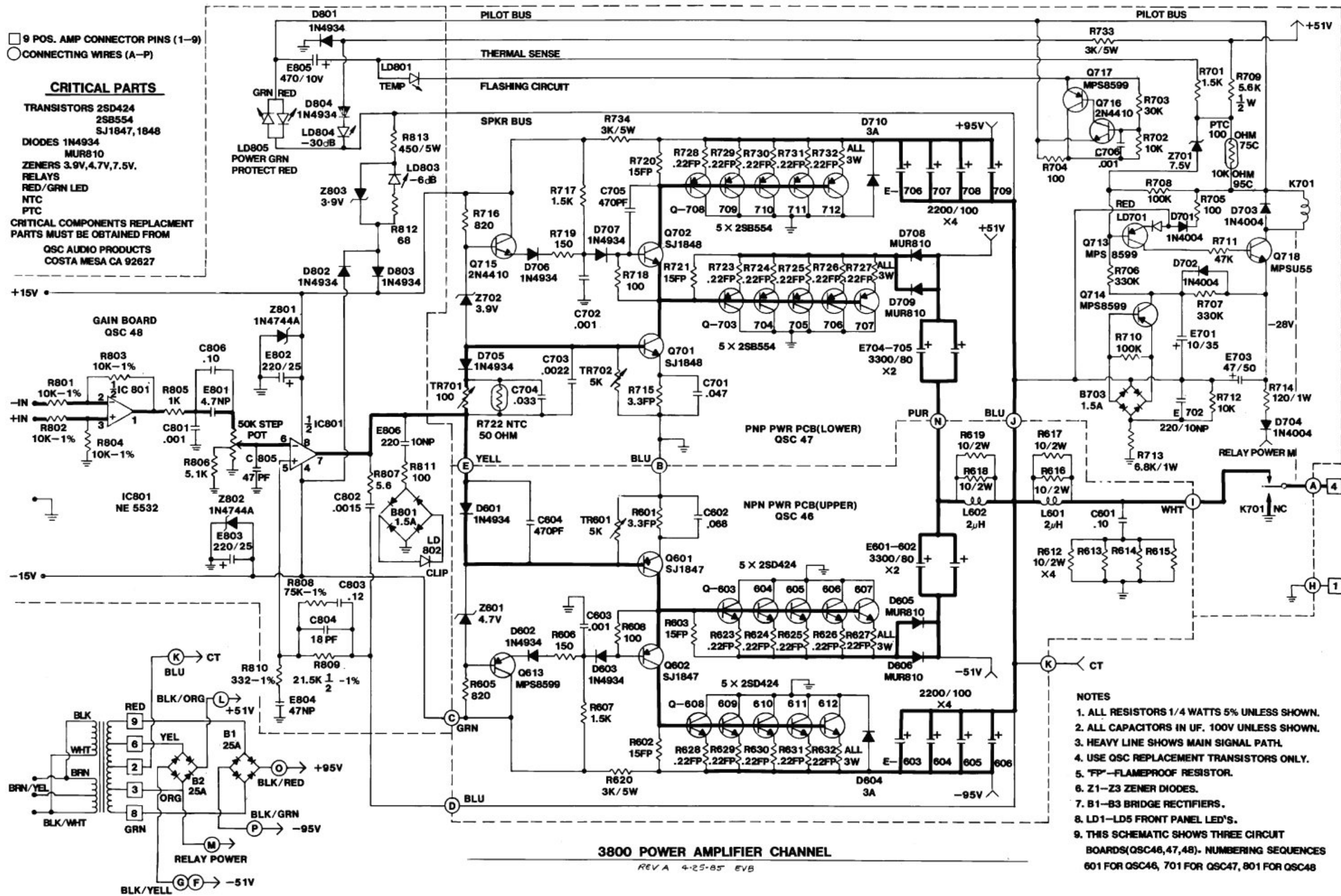


- 9 POS. AMP CONNECTOR PINS (1-9)
- CONNECTING WIRES (A-P)

### CRITICAL PARTS

- TRANSISTORS 2SD424  
2SB554  
SJ1847, 1848
- DIODES 1N4934  
MUR810
- ZENERS 3.9V, 4.7V, 7.5V.
- RELAYS  
RED/GRN LED  
NTC  
PTC
- CRITICAL COMPONENTS REPLACEMENT PARTS MUST BE OBTAINED FROM  
QSC AUDIO PRODUCTS  
COSTA MESA CA 92627



SH-380000-04 3800 Schematic

**3800 POWER AMPLIFIER CHANNEL**  
REV A 4-25-85 EVB

- NOTES**
1. ALL RESISTORS 1/4 WATTS 5% UNLESS SHOWN.
  2. ALL CAPACITORS IN UF. 100V UNLESS SHOWN.
  3. HEAVY LINE SHOWS MAIN SIGNAL PATH.
  4. USE QSC REPLACEMENT TRANSISTORS ONLY.
  5. "FP"—FLAMEPROOF RESISTOR.
  6. Z1-Z3 ZENER DIODES.
  7. B1-B3 BRIDGE RECTIFIERS.
  8. LD1-LD5 FRONT PANEL LED'S.
  9. THIS SCHEMATIC SHOWS THREE CIRCUIT BOARDS(QSC46,47,48). NUMBERING SEQUENCES 601 FOR QSC46, 701 FOR QSC47, 801 FOR QSC48