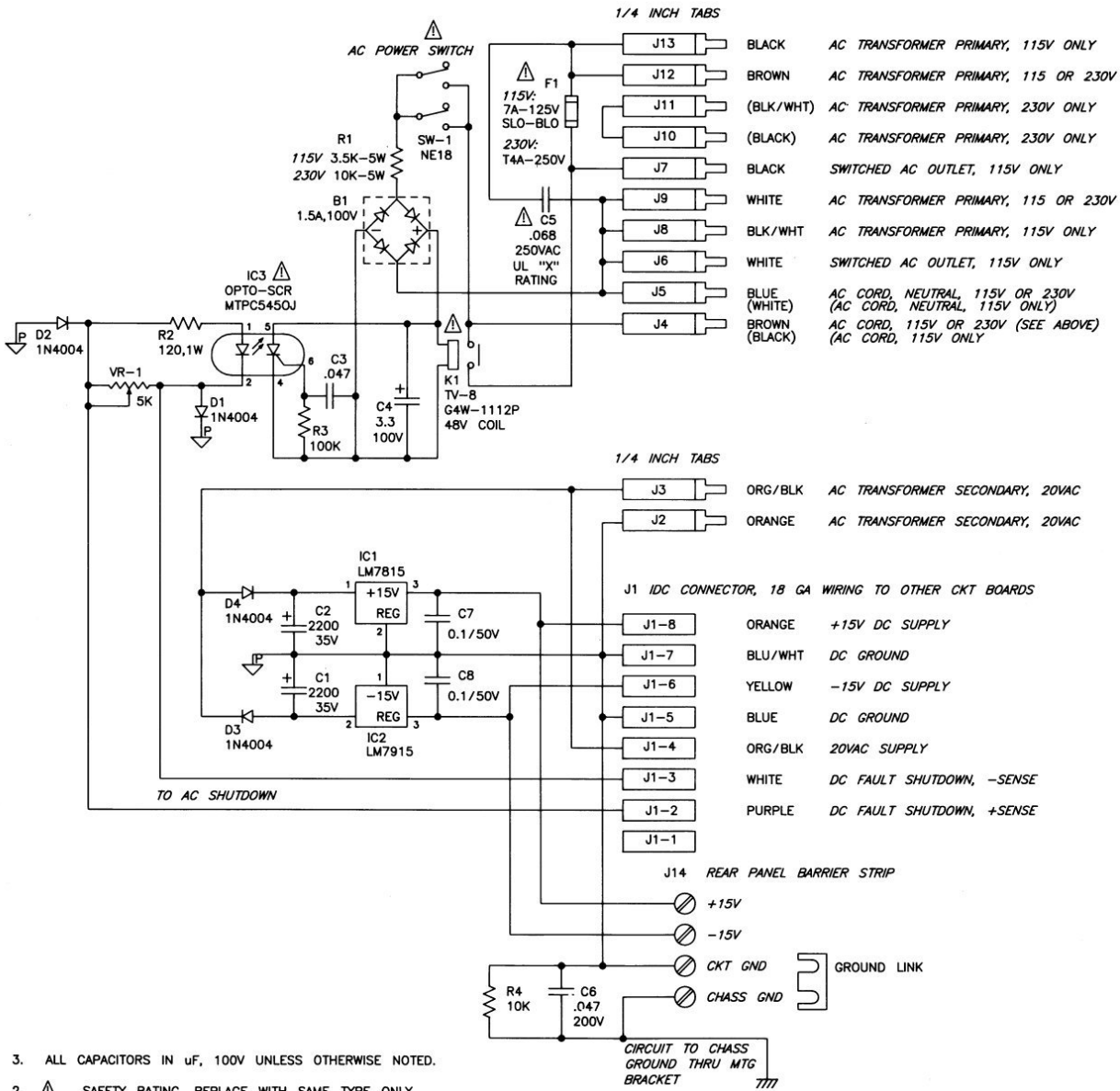


15V REGULATOR/DC SHUTDOWN



REFERENCE DESIGNATOR
LAST USED
B1
C8
D4
F1
IC3
J14
K1
R4
SW1
VR1

- ALL CAPACITORS IN μ F, 100V UNLESS OTHERWISE NOTED.
- Δ SAFETY RATING, REPLACE WITH SAME TYPE ONLY.
- ALL RESISTORS ARE 1/4 W 5% UNLESS OTHERWISE NOTED.

NOTES: UNLESS OTHERWISE SPECIFIED.