

SCHEMATIC A41-A42 (REVISED JUNE 1980)

BALANCED LINE INPUTS: 1/4" Jacks--Ring=Pos. Phase Tip (Unbal Inp) =Neg. Phase XLR Jacks: 2=Pos., 3=Neg.

BALANCED-UNBAL CONVERTER

HIGH AND LOW FREQ. ROLLOFFS

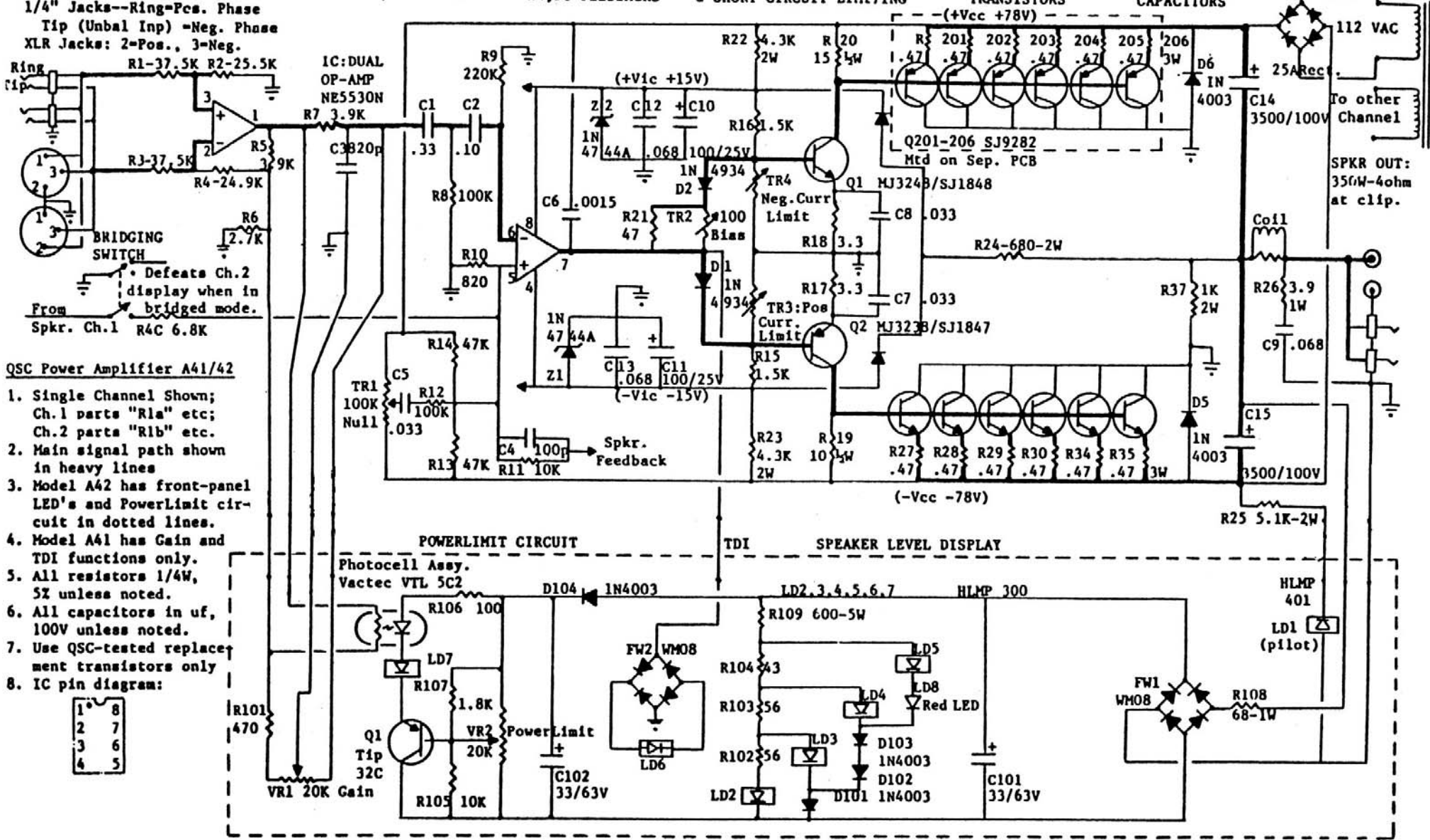
POWER AMP INPUT; AC, DC FEEDBACKS

CROSSOVER BIAS, IC SUPPLY & SHORT CIRCUIT LIMITING

POWER OUTPUT TRANSISTORS (+Vcc +78V)

FILTER/OUTPUT CAPACITORS

FAULT FUSE ABC 12



QSC Power Amplifier A41/42

1. Single Channel Shown; Ch.1 parts "R1a" etc; Ch.2 parts "R1b" etc.
2. Main signal path shown in heavy lines
3. Model A42 has front-panel LED's and PowerLimit circuit in dotted lines.
4. Model A41 has Gain and TDI functions only.
5. All resistors 1/4W, 5% unless noted.
6. All capacitors in uf, 100V unless noted.
7. Use QSC-tested replacement transistors only
8. IC pin diagram:

