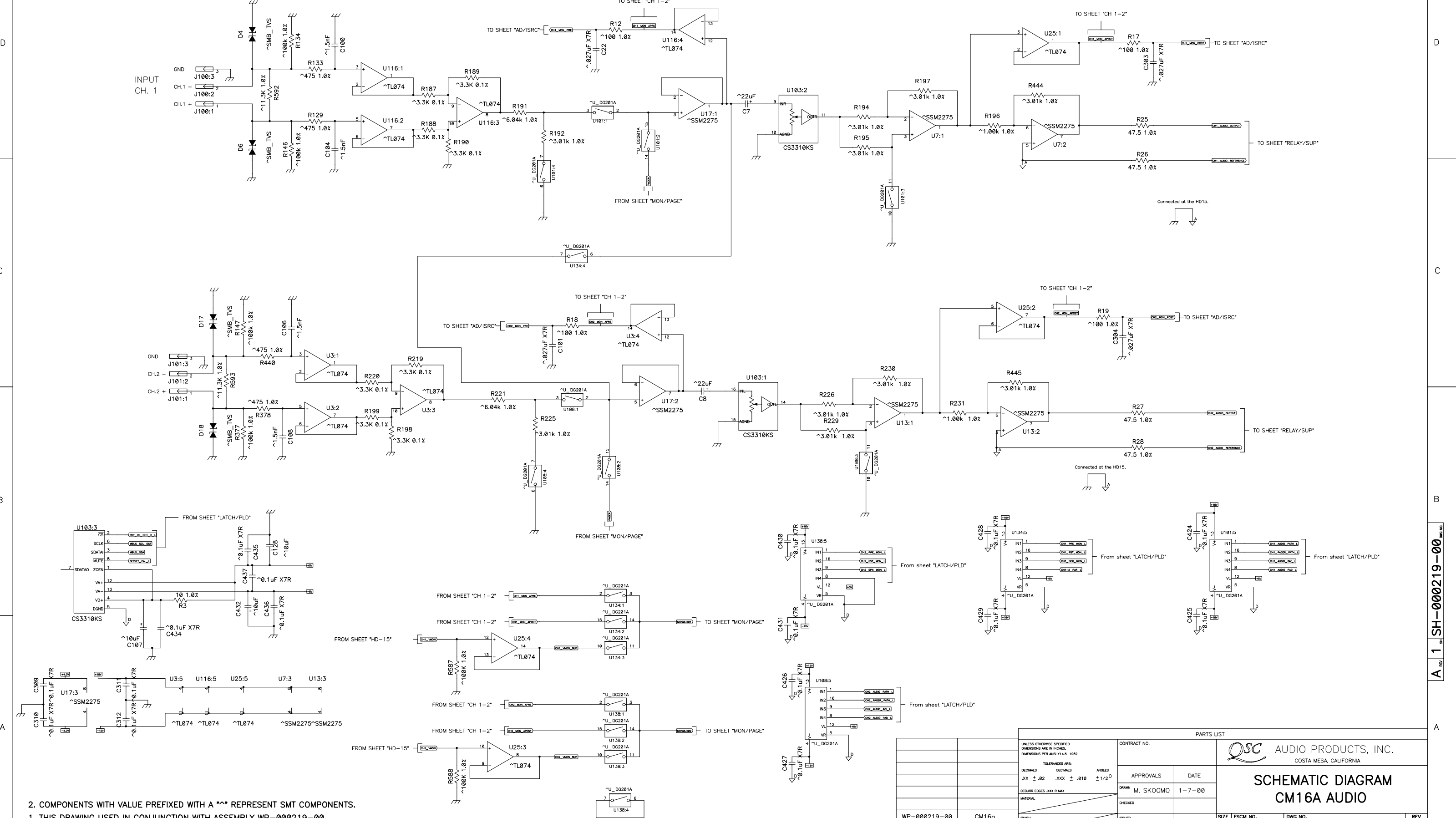


THIS DOCUMENT CONTAINS PROPRIETARY INFORMATION WHICH IS THE PROPERTY OF QSC AUDIO PRODUCTS, THAT MAY NOT BE DISCLOSED, REPRODUCED OR USED WITHOUT EXPRESS WRITTEN CONSENT FROM QSC AUDIO PRODUCTS.

# SHEET "CH 1-2"

REVISION				
REV	DESCRIPTION	EFF. DATE	CHK	APPROVED / DATE
A	PRODUCTION RELEASE PER ECO 4413 AA	10-20-00		



2. COMPONENTS WITH VALUE PREFIXED WITH A "\*" REPRESENT SMT COMPONENTS.  
 1. THIS DRAWING USED IN CONJUNCTION WITH ASSEMBLY WP-000219-00

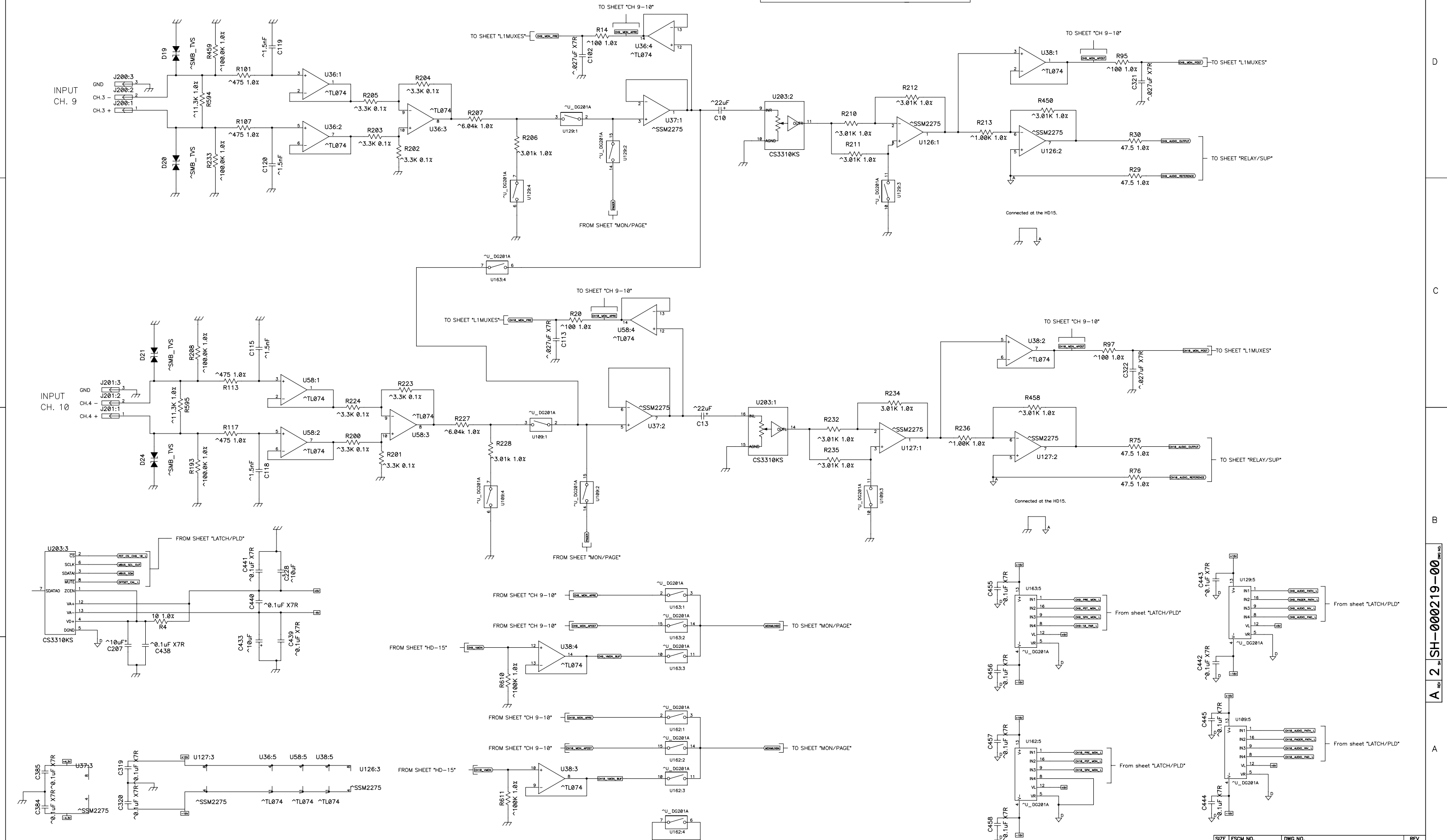
NOTES: UNLESS OTHERWISE SPECIFIED

PARTS LIST		CONTRACT NO.		QSC AUDIO PRODUCTS, INC. COSTA MESA, CALIFORNIA	
UNLESS OTHERWISE SPECIFIED DIMENSIONS ARE IN INCHES. DIMENSIONS PER ANSI Y14.5-1982		APPROVALS		DATE	
TOLERANCES ARE: DECIMALS .XX ± .02 .XXX ± .010 ± 1/2° ANGLES .XXX ± .010 ± 1/2°		M. SKOGMO		1-7-00	
DEBURR EDGES .XXX # MAX		DRAWN		CHECKED	
MATERIAL		ISSUED		SCALE NONE	
FINISH		CAD FILE NO.		PLOT DATE: Thu Aug 02, 2001	
WP-000219-00	CM16a	APPLICATION		DO NOT SCALE DRAWING	
NEXT ASSY	USED ON	CAD FILE NO.		PLOT DATE: Thu Aug 02, 2001	
SCALE NONE		CAD FILE NO.		DWG NO. SH-000219-00	
SIZE D		FSCM NO.		REV A	
SHEET 1 OF 15		SHEET 1 OF 15		SHEET 1 OF 15	

A SH-000219-00

THIS DOCUMENT CONTAINS PROPRIETARY INFORMATION WHICH IS THE PROPERTY OF QSC AUDIO PRODUCTS, THAT MAY NOT BE DISCLOSED, REPRODUCED OR USED WITHOUT EXPRESS WRITTEN CONSENT FROM QSC AUDIO PRODUCTS.

# SHEET "CH 9-10"



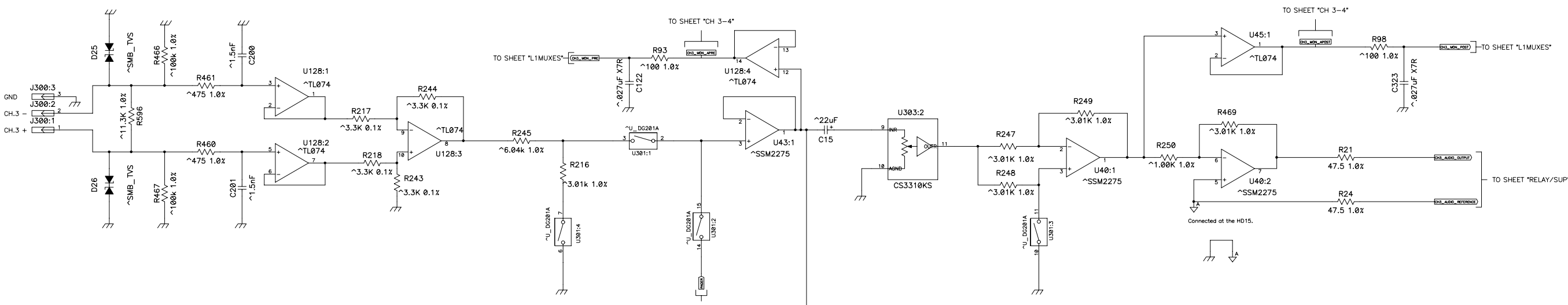
NOTES: UNLESS OTHERWISE SPECIFIED

A 2 SH-000219-00

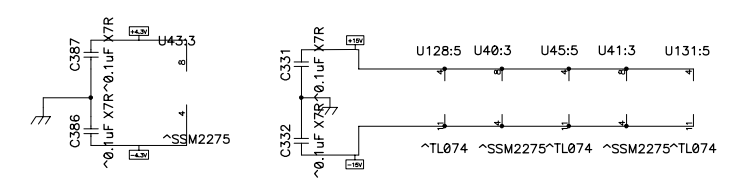
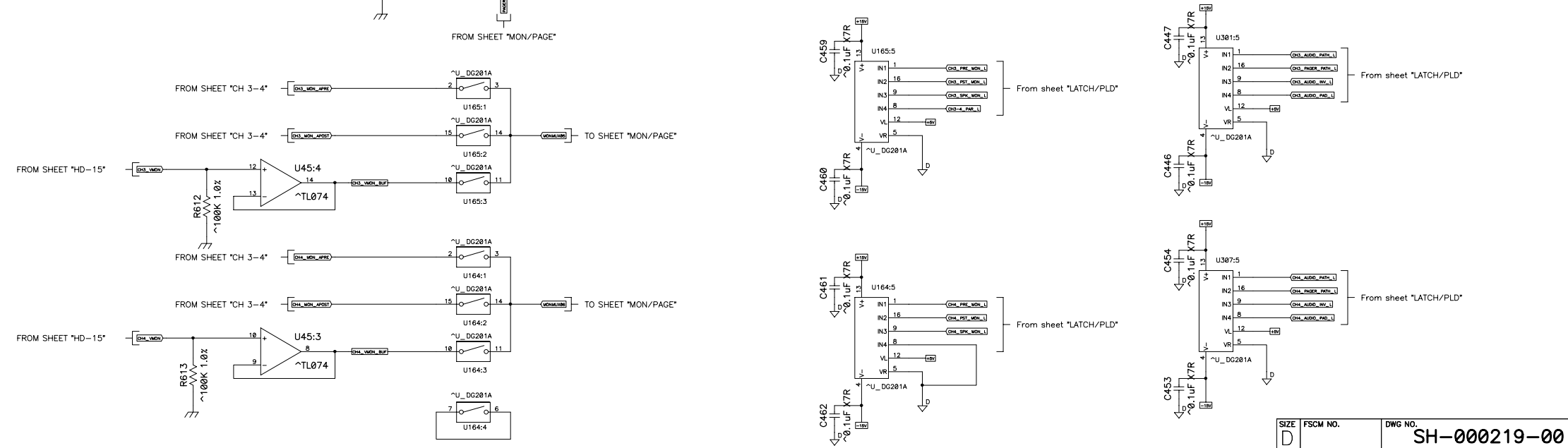
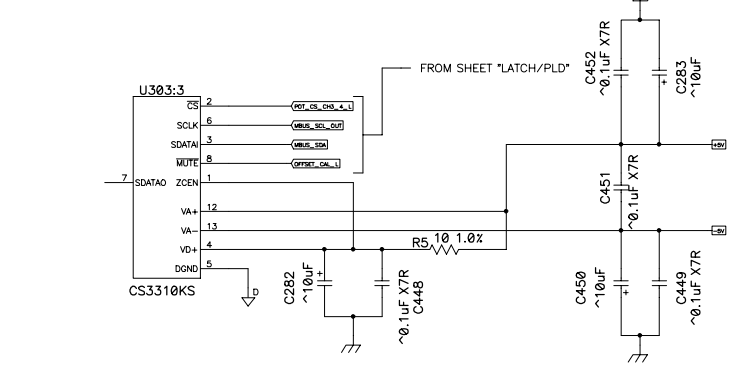
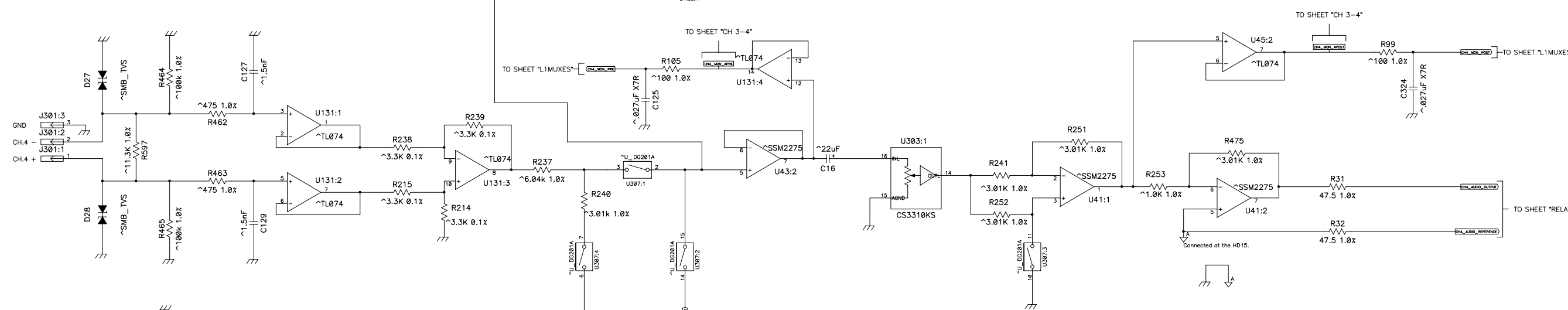
THIS DOCUMENT CONTAINS PROPRIETARY INFORMATION WHICH IS THE PROPERTY OF QSC AUDIO PRODUCTS, THAT MAY NOT BE DISCLOSED, REPRODUCED OR USED WITHOUT EXPRESS WRITTEN CONSENT FROM QSC AUDIO PRODUCTS.

# SHEET "CH 3-4"

INPUT CH. 3



INPUT CH. 4

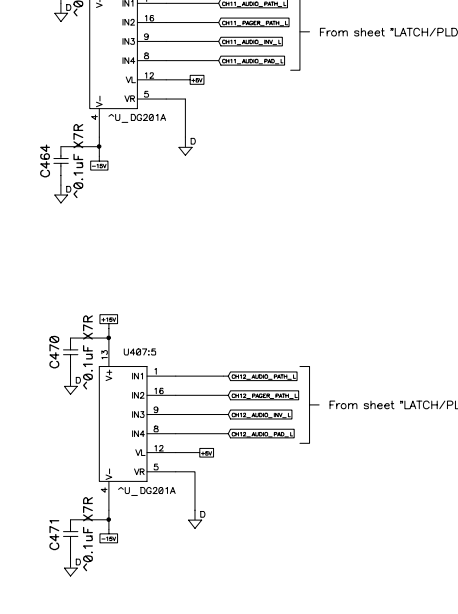
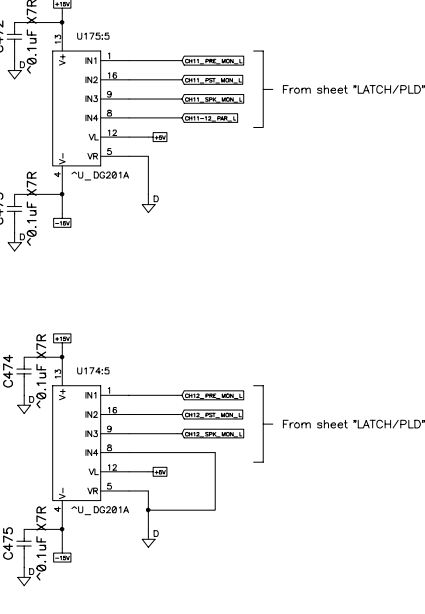
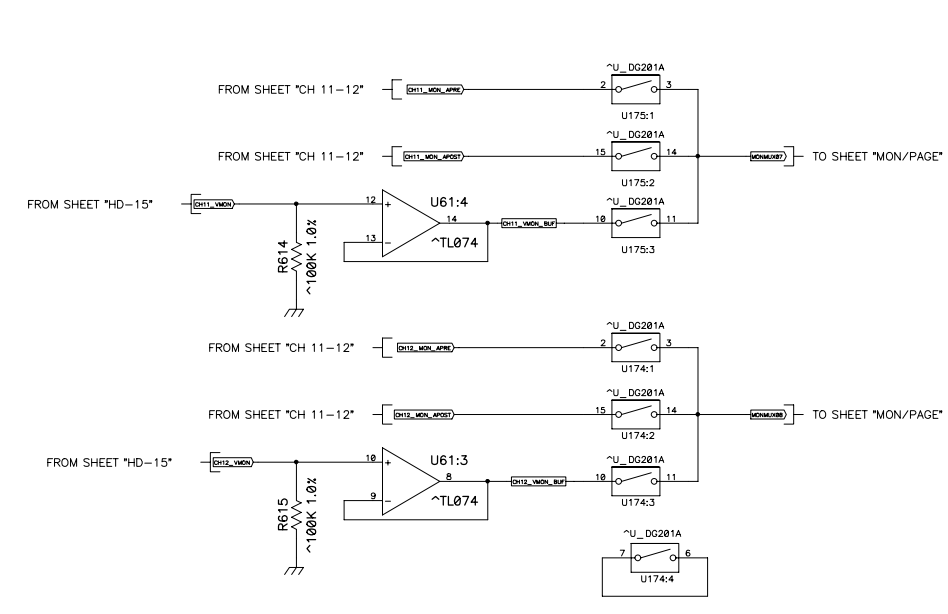
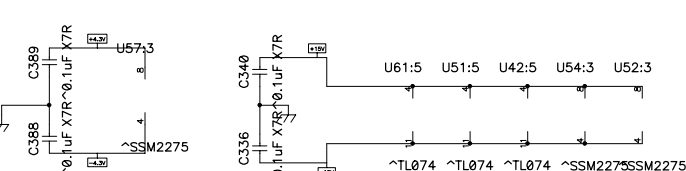
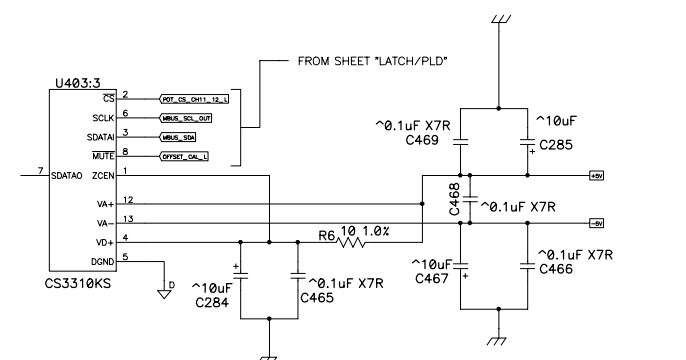
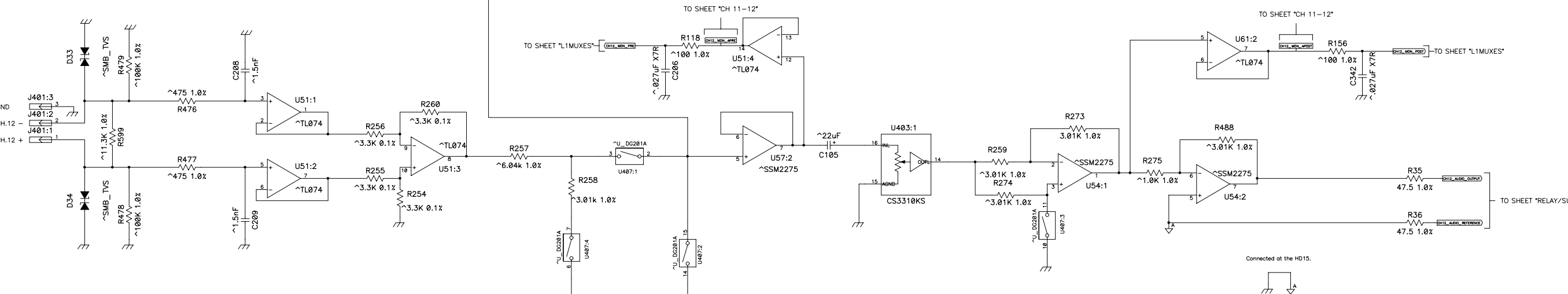
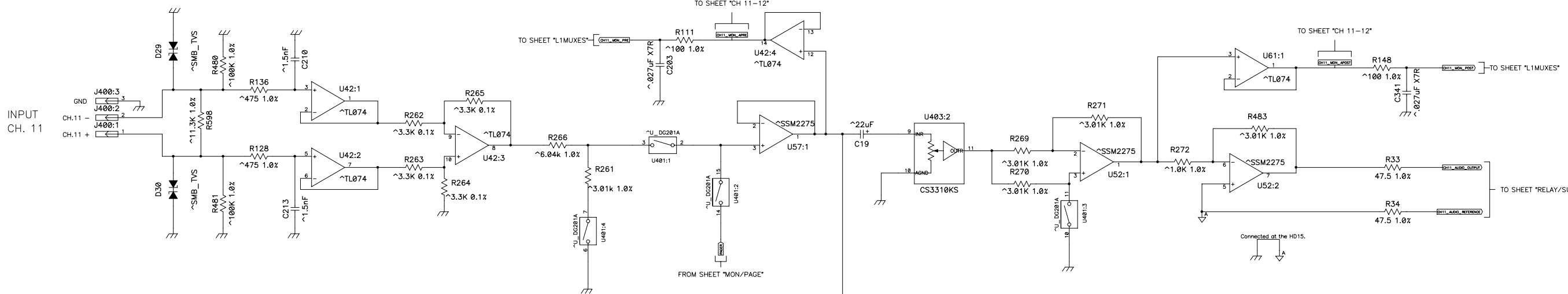


NOTES: UNLESS OTHERWISE SPECIFIED

A SH-000219-00

THIS DOCUMENT CONTAINS PROPRIETARY INFORMATION WHICH IS THE PROPERTY OF QSC AUDIO PRODUCTS, THAT MAY NOT BE DISCLOSED, REPRODUCED OR USED WITHOUT EXPRESS WRITTEN CONSENT FROM QSC AUDIO PRODUCTS.

SHEET "CH 11-12"



NOTES: UNLESS OTHERWISE SPECIFIED

SIZE	FSCM NO.	DWG NO.	REV
D		SH-000219-00	A
SCALE	NONE	CAD FILE NO.	SH219rA.sch
		SHEET	4 OF 15

A SH-000219-00

THIS DOCUMENT CONTAINS PROPRIETARY INFORMATION WHICH IS THE PROPERTY OF QSC AUDIO PRODUCTS, THAT MAY NOT BE DISCLOSED, REPRODUCED OR USED WITHOUT EXPRESS WRITTEN CONSENT FROM QSC AUDIO PRODUCTS.

# SHEET "CH 5-6"

D

C

B

A

8

7

6

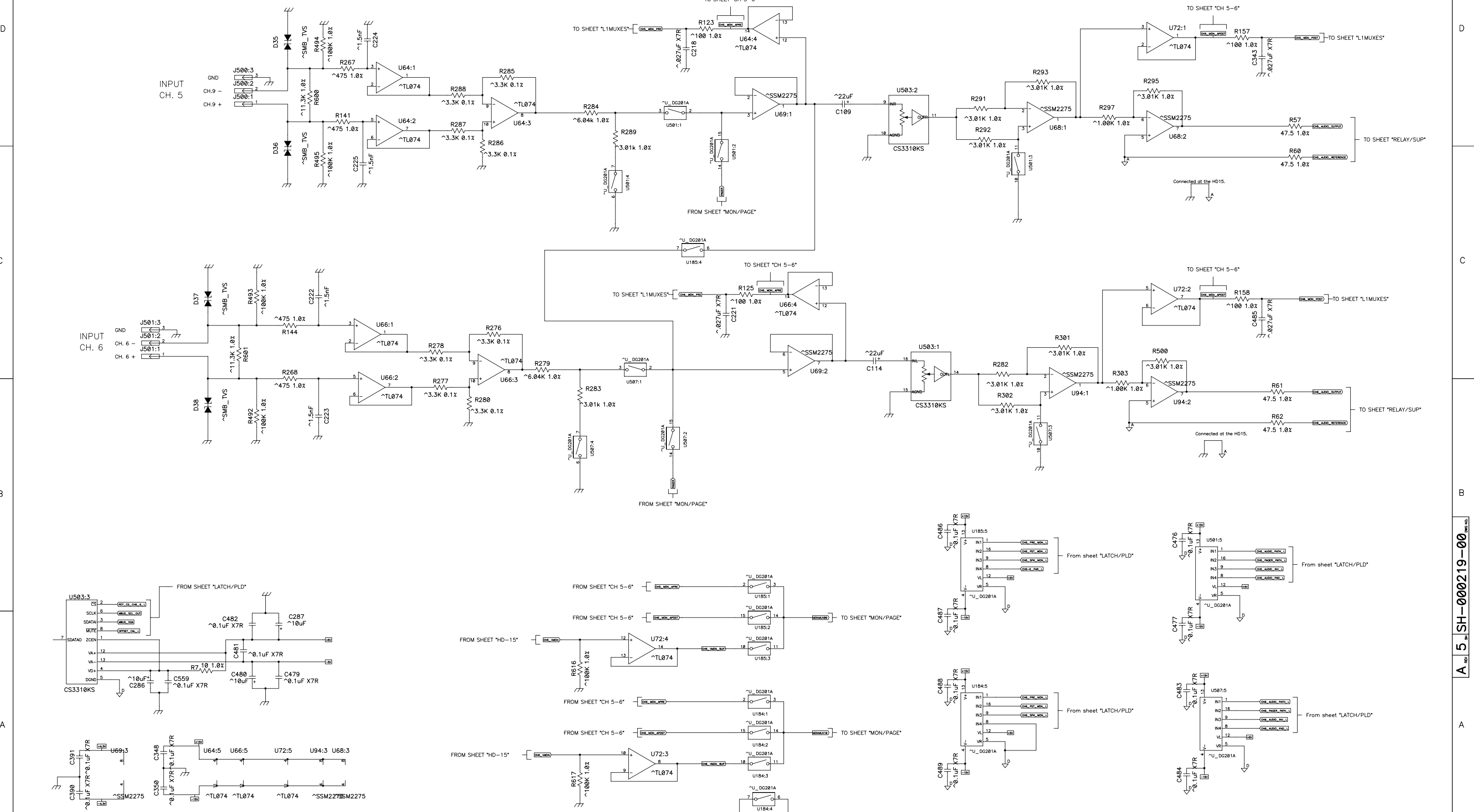
5

4

3

2

1



D

C

B

A

8

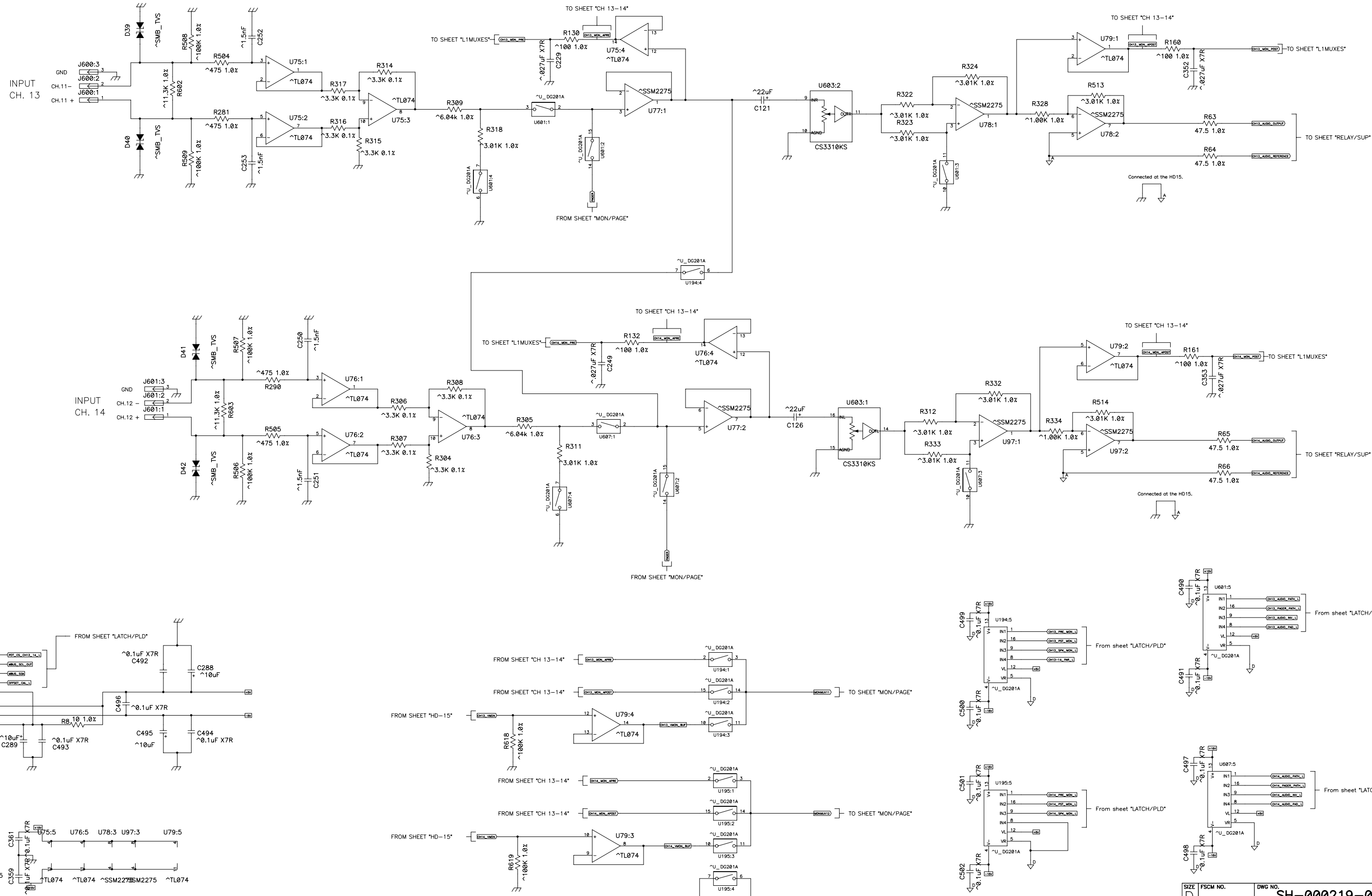
NOTES: UNLESS OTHERWISE SPECIFIED

SIZE D	FSCM NO.	DWG NO. <b>SH-000219-00</b>	REV A
SCALE NONE	CAD FILE NO. SH219A.sch	SHEET 5 OF 15	

A 5 SH-000219-00

THIS DOCUMENT CONTAINS PROPRIETARY INFORMATION WHICH IS THE PROPERTY OF QSC AUDIO PRODUCTS, THAT MAY NOT BE DISCLOSED, REPRODUCED OR USED WITHOUT EXPRESS WRITTEN CONSENT FROM QSC AUDIO PRODUCTS.

# SHEET "CH 13-14"



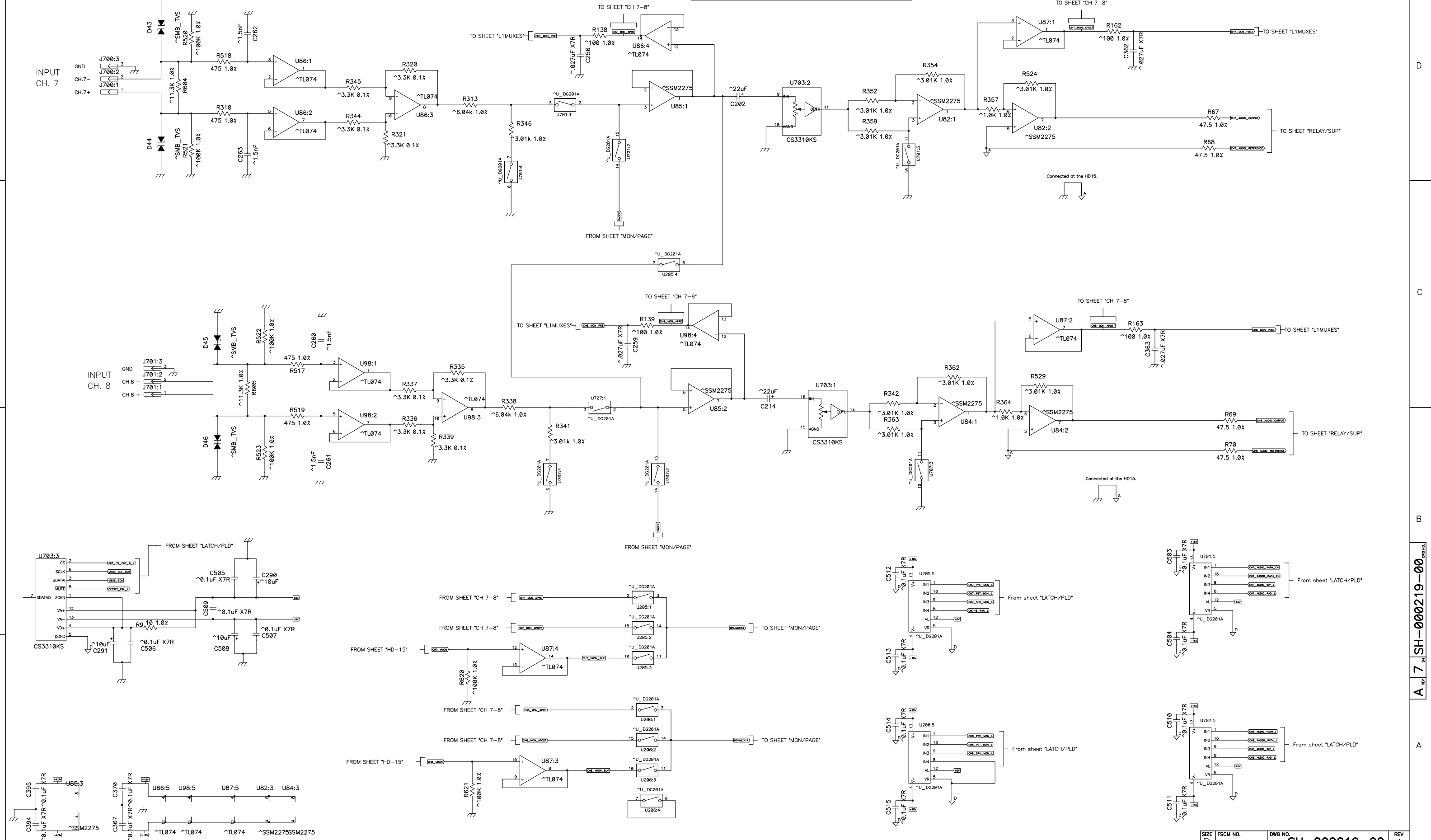
NOTES: UNLESS OTHERWISE SPECIFIED

SIZE	FSCM NO.	DWG NO.	REV
D		SH-000219-00	A
SCALE	CAD FILE NO.	SHEET 6 OF 15	
NONE	SH219A.sch		

A 6 SH-000219-00 Rev. 0.1

THIS DOCUMENT CONTAINS PROPRIETARY INFORMATION WHICH IS THE PROPERTY OF QSC AUDIO PRODUCTS, THAT MAY NOT BE DISCLOSED, REPRODUCED OR USED WITHOUT EXPRESS WRITTEN CONSENT FROM QSC AUDIO PRODUCTS.

SHEET "CH 7-8"



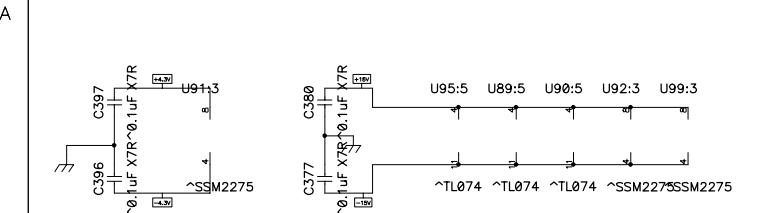
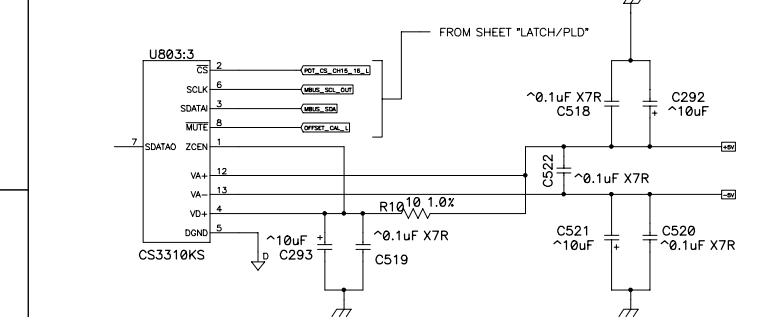
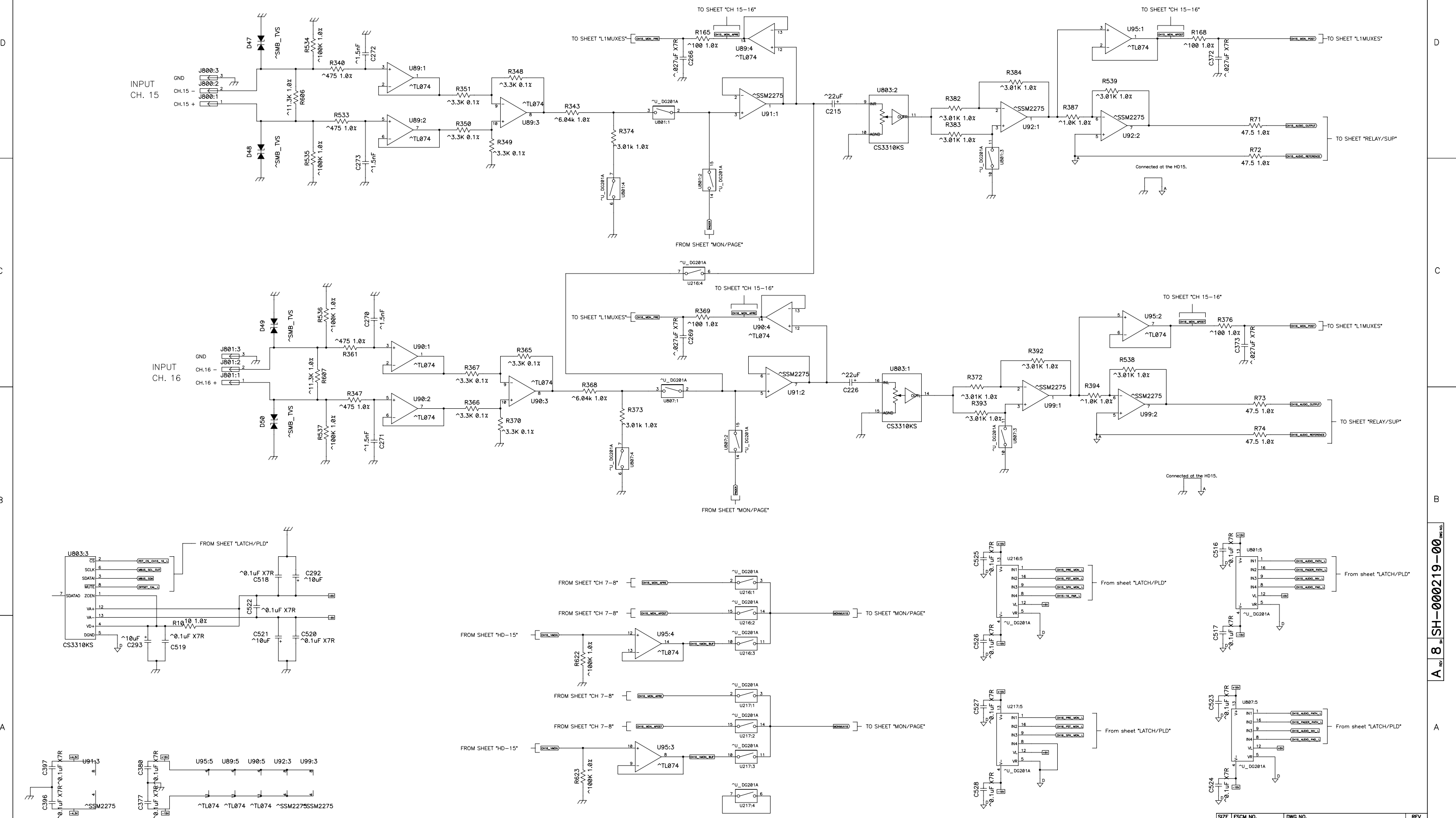
NOTES: UNLESS OTHERWISE SPECIFIED

SIZE D	FSCM NO.	DWG NO. SH-000219-00	REV A
SCALE NONE	CAD FILE NO. SH219rA.sch	SHEET 7 OF 15	

A 7 SH-000219-00

THIS DOCUMENT CONTAINS PROPRIETARY INFORMATION WHICH IS THE PROPERTY OF QSC AUDIO PRODUCTS, THAT MAY NOT BE DISCLOSED, REPRODUCED OR USED WITHOUT EXPRESS WRITTEN CONSENT FROM QSC AUDIO PRODUCTS.

# SHEET "CH 15-16"



NOTES: UNLESS OTHERWISE SPECIFIED

SIZE	FSCM NO.	DWG NO.	REV
D		SH-000219-00	A
SCALE	NONE	CAD FILE NO.	SH219rA.sch
		SHEET	8 OF 15

A SH-000219-00 Rev. 0.1



THIS DOCUMENT CONTAINS PROPRIETARY INFORMATION WHICH IS THE PROPERTY OF QSC AUDIO PRODUCTS, THAT MAY NOT BE DISCLOSED, REPRODUCED OR USED WITHOUT EXPRESS WRITTEN CONSENT FROM QSC AUDIO PRODUCTS.

SHEET "MON/PAGE"

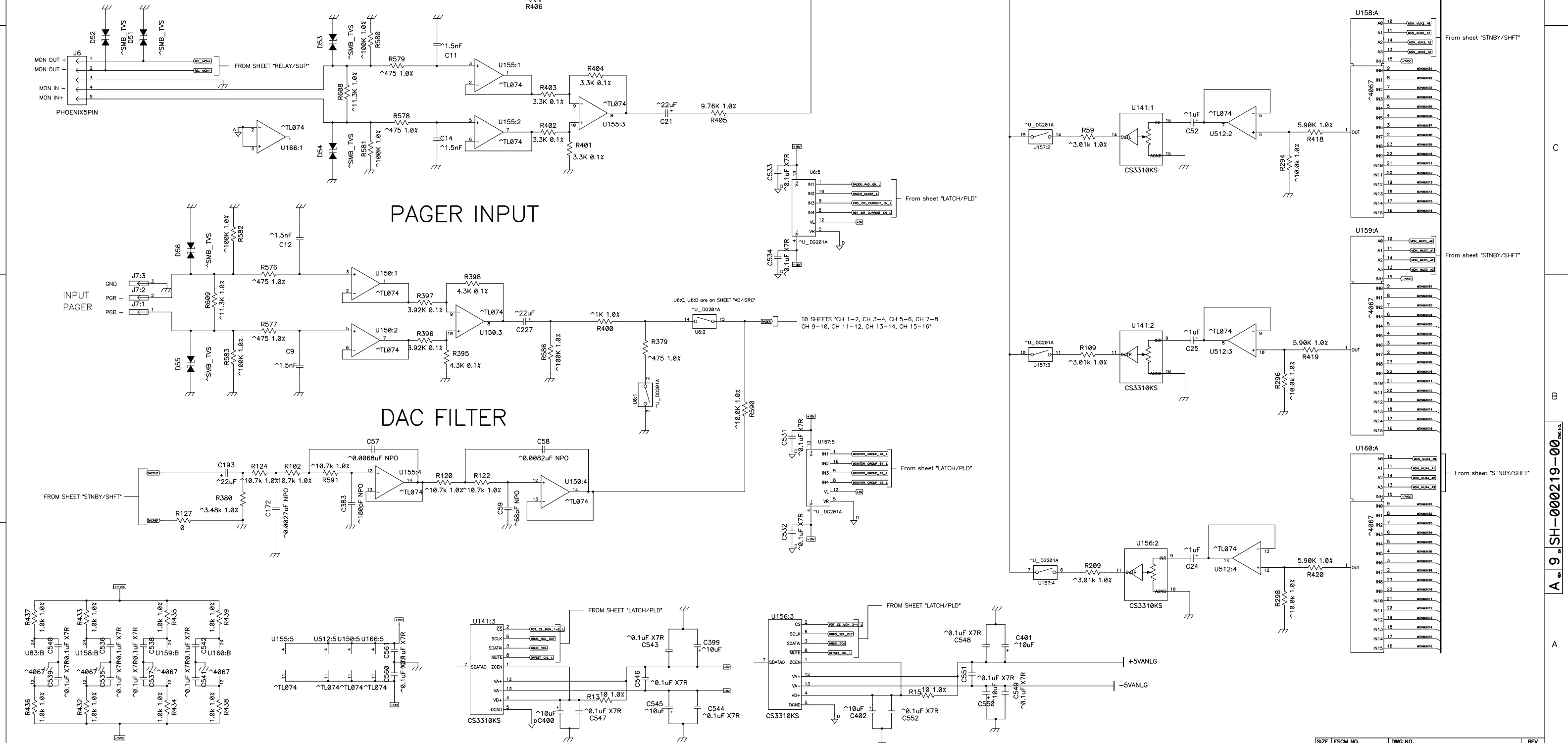
MIXER

MONITOR OUTPUT

MONITOR INPUT

PAGER INPUT

DAC FILTER



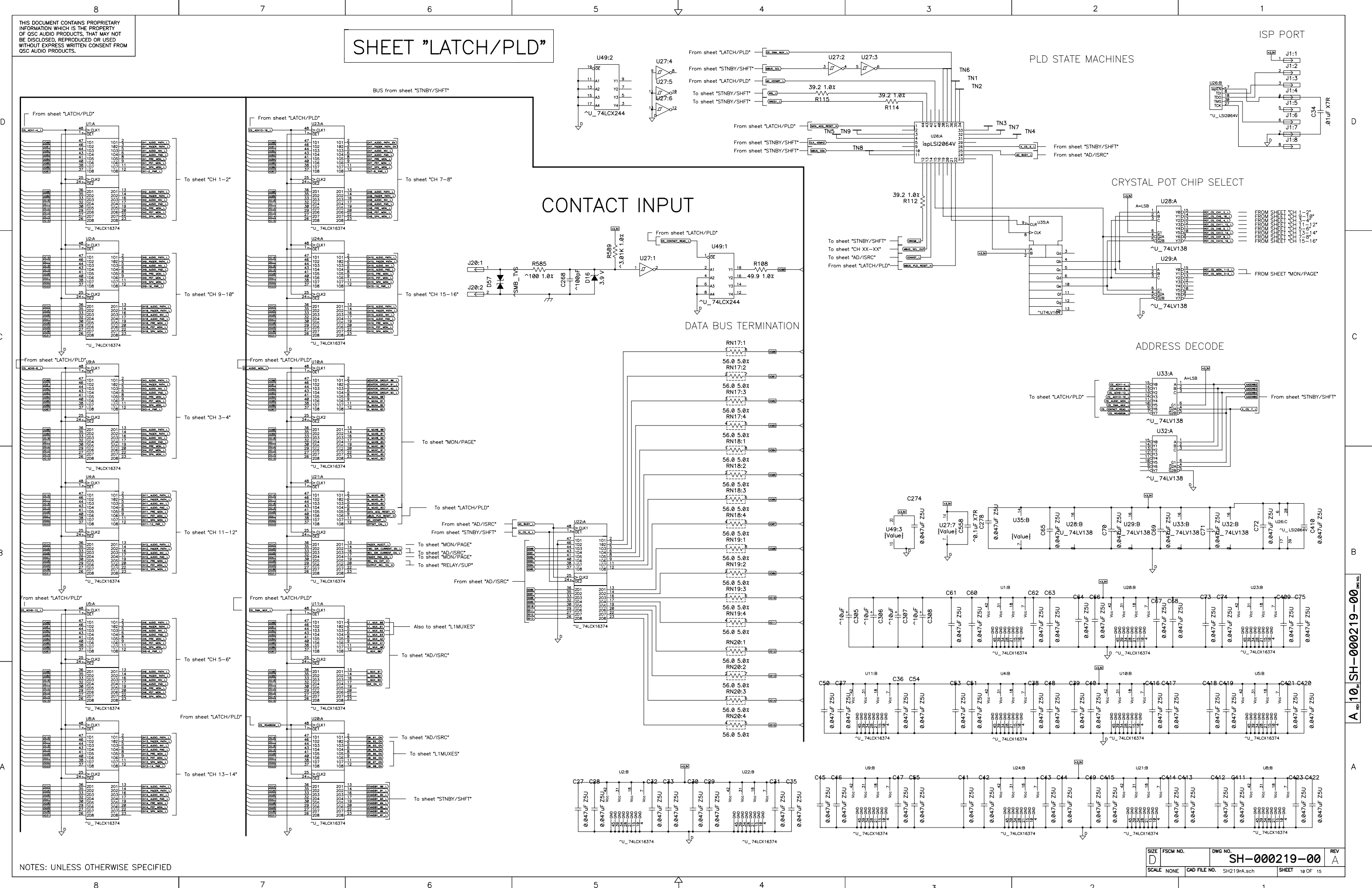
NOTES: UNLESS OTHERWISE SPECIFIED

SIZE	FSCM NO.	DWG NO.	REV
D		SH-000219-00	A
SCALE	CAD FILE NO.	SHEET	9 OF 15
NONE	SH219A.sch		

A 9 SH-000219-00

THIS DOCUMENT CONTAINS PROPRIETARY INFORMATION WHICH IS THE PROPERTY OF QSC AUDIO PRODUCTS. IT MAY NOT BE DISCLOSED, REPRODUCED OR USED WITHOUT EXPRESS WRITTEN CONSENT FROM QSC AUDIO PRODUCTS.

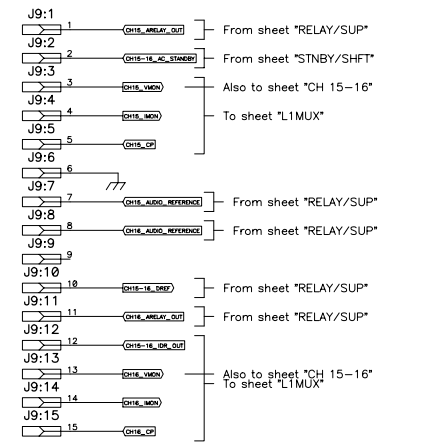
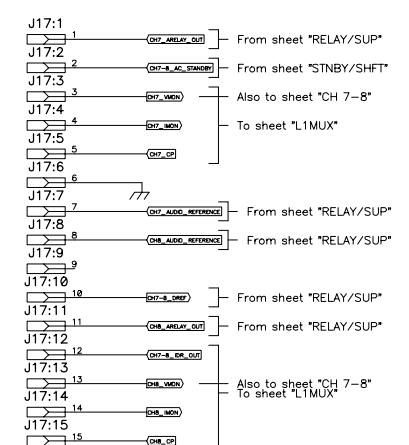
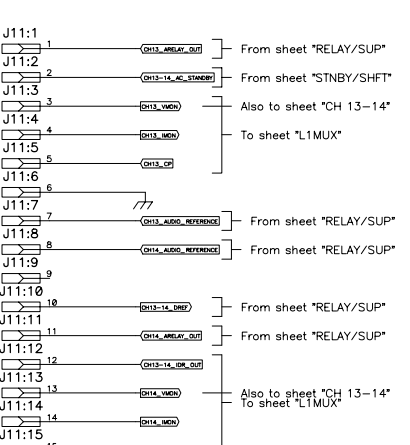
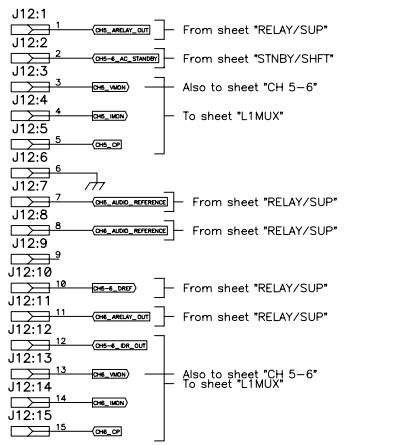
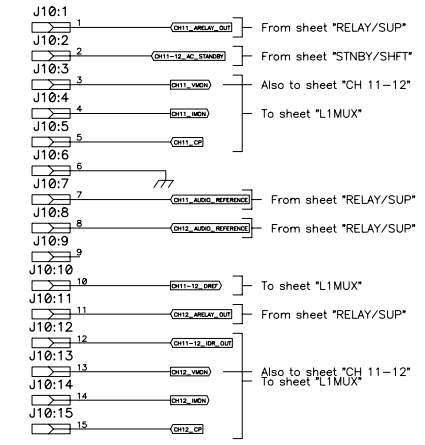
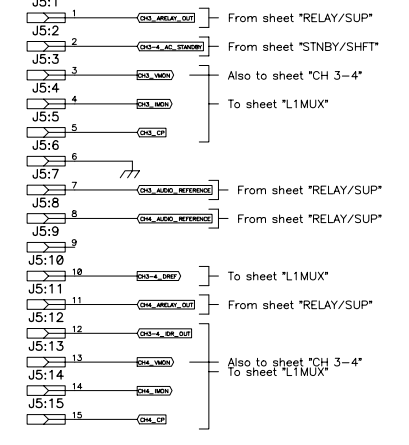
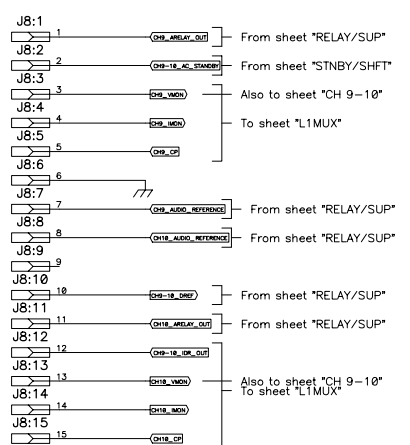
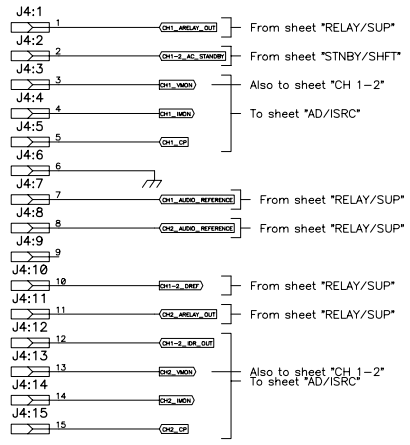
# SHEET "LATCH/PLD"



THIS DOCUMENT CONTAINS PROPRIETARY INFORMATION WHICH IS THE PROPERTY OF QSC AUDIO PRODUCTS, THAT MAY NOT BE DISCLOSED, REPRODUCED OR USED WITHOUT EXPRESS WRITTEN CONSENT FROM QSC AUDIO PRODUCTS.

# SHEET "HD-15"

## INPUT CONNECTORS

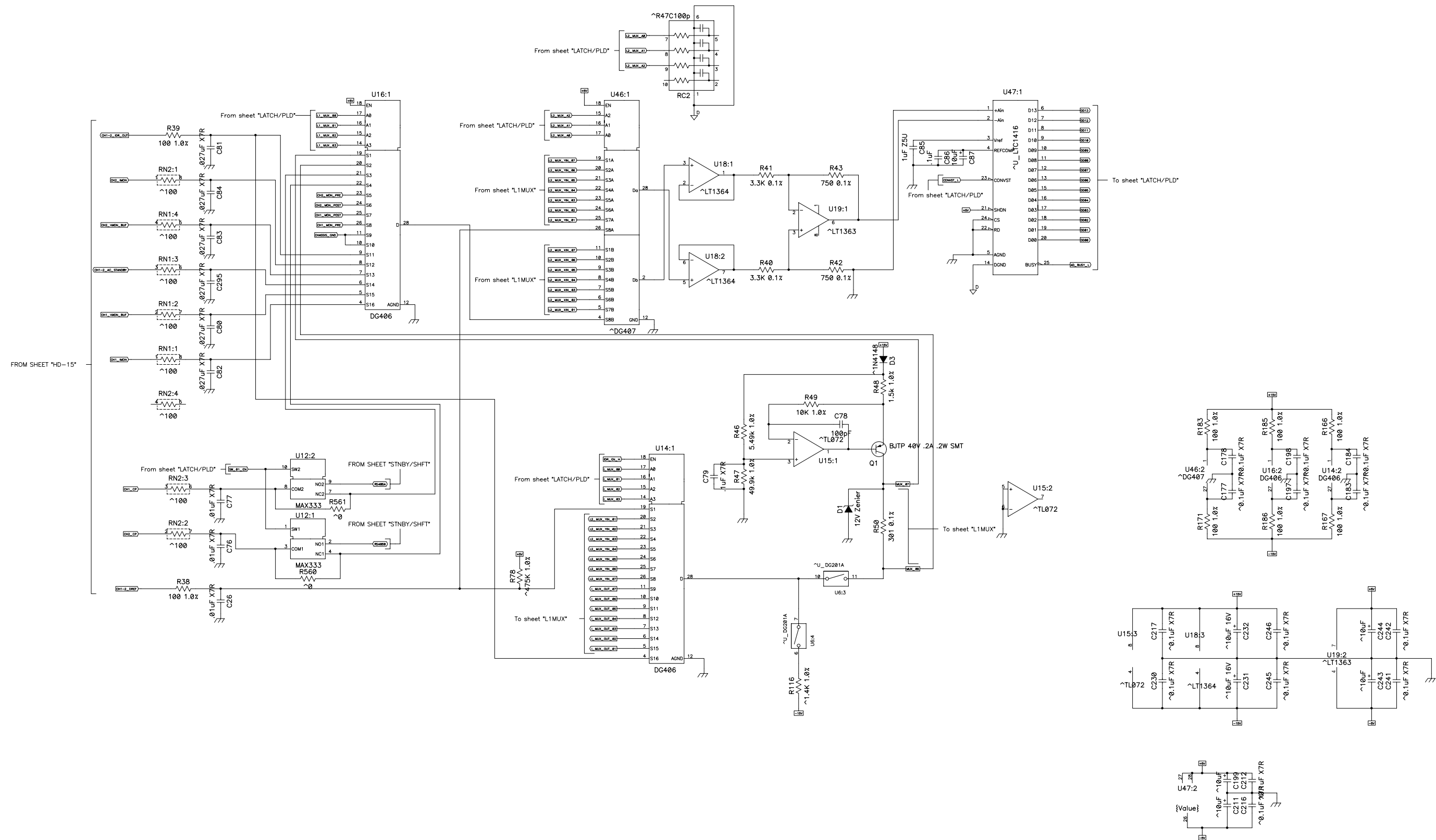


NOTES: UNLESS OTHERWISE SPECIFIED

A 11 SH-000219-00

THIS DOCUMENT CONTAINS PROPRIETARY INFORMATION WHICH IS THE PROPERTY OF QSC AUDIO PRODUCTS, THAT MAY NOT BE DISCLOSED, REPRODUCED OR USED WITHOUT EXPRESS WRITTEN CONSENT FROM QSC AUDIO PRODUCTS.

# SHEET "AD/ISRC"



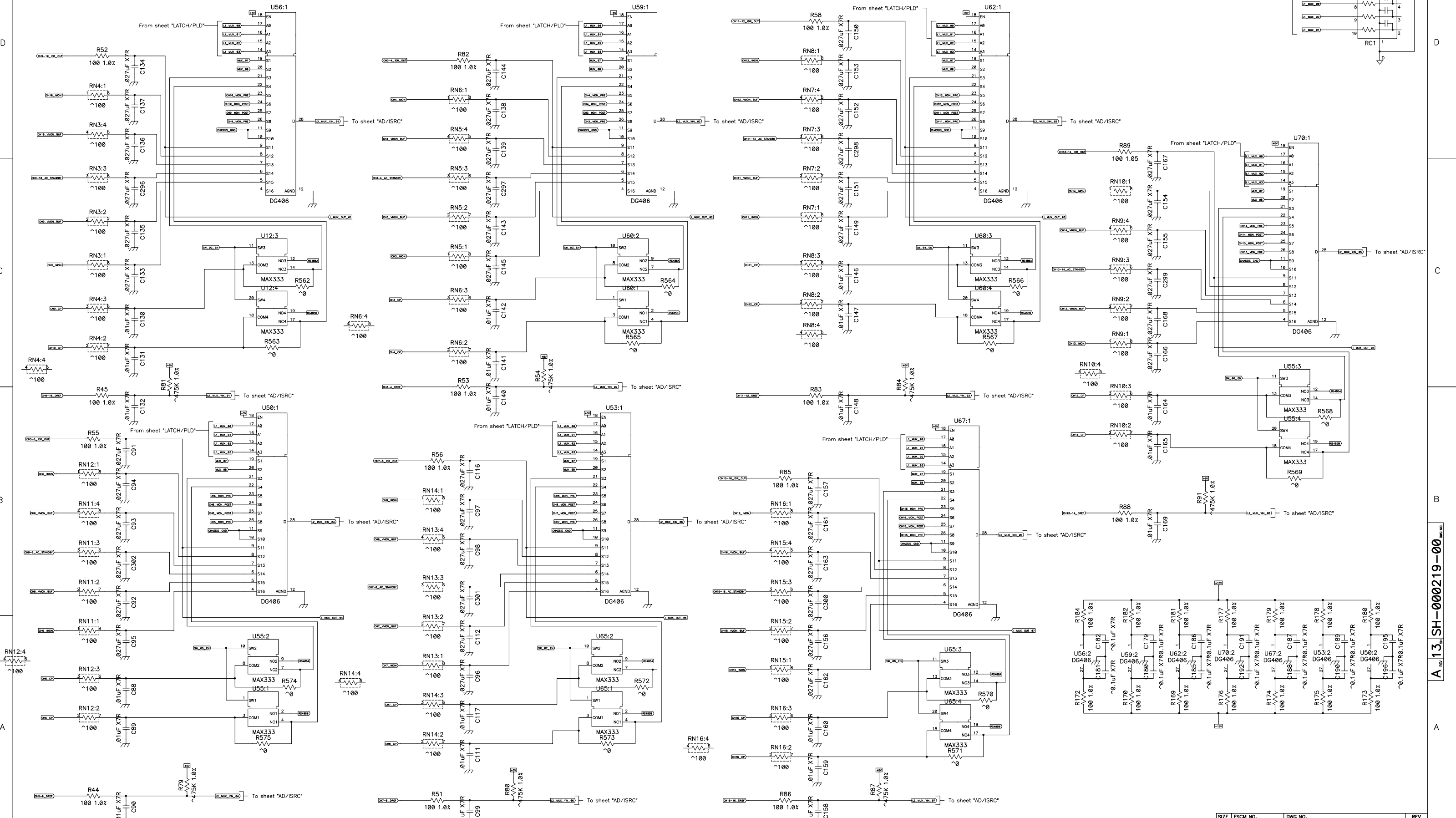
NOTES: UNLESS OTHERWISE SPECIFIED

SIZE	FSCM NO.	DWG NO.	REV
D		SH-000219-00	A
SCALE	NONE	CAD FILE NO.	SHEET 12 OF 15
		SH219rA.sch	

A 12 SH-000219-00

THIS DOCUMENT CONTAINS PROPRIETARY INFORMATION WHICH IS THE PROPERTY OF QSC AUDIO PRODUCTS. THAT MAY NOT BE DISCLOSED, REPRODUCED OR USED WITHOUT EXPRESS WRITTEN CONSENT FROM QSC AUDIO PRODUCTS.

# SHEET "L1MUXES"



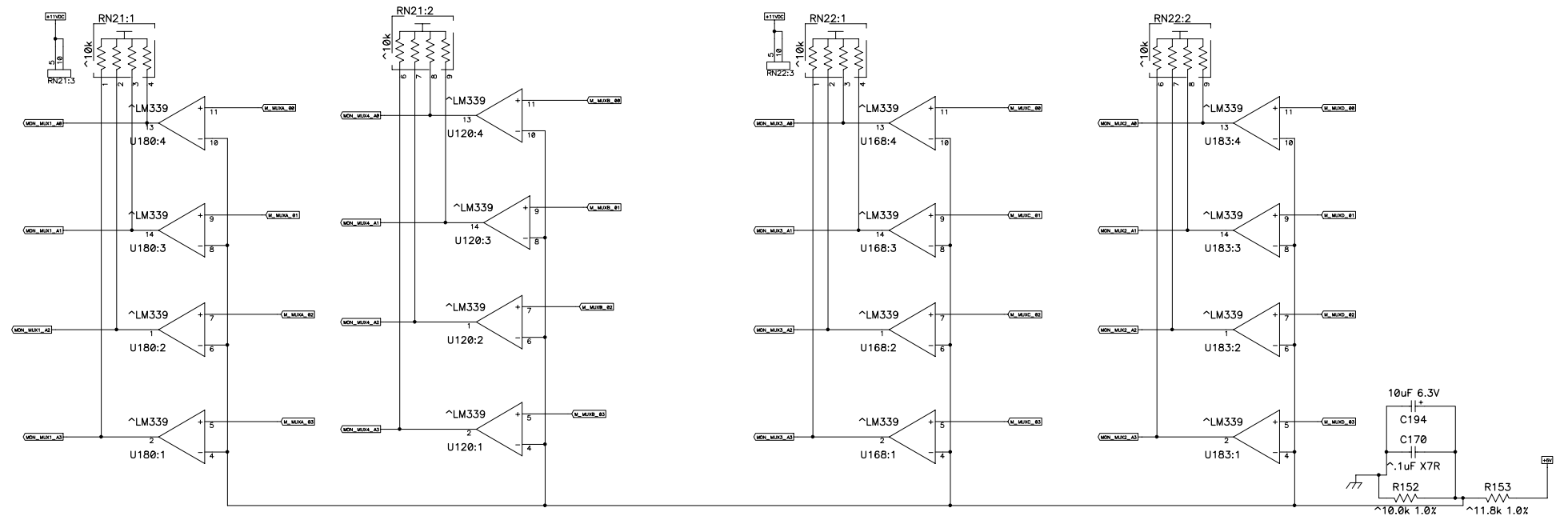
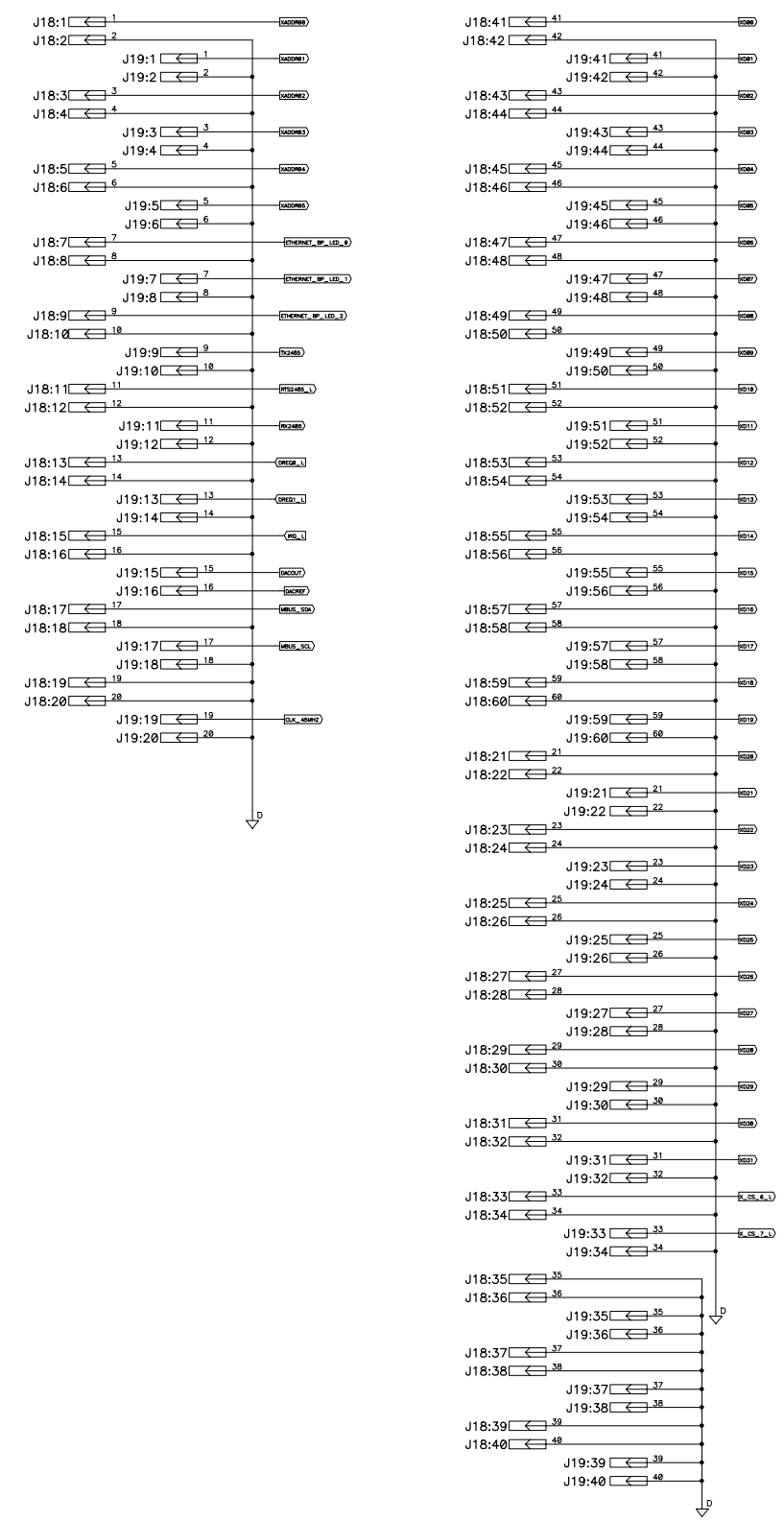
NOTES: UNLESS OTHERWISE SPECIFIED

SIZE	FSCM NO.	DWG NO.	REV
D		SH-000219-00	A
SCALE	NONE	CAD FILE NO.	SH219A.sch
		SHEET	13 OF 15

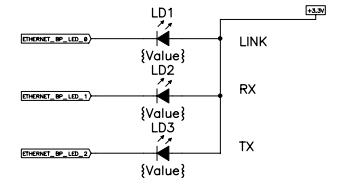
A 13 SH-000219-00

THIS DOCUMENT CONTAINS PROPRIETARY INFORMATION WHICH IS THE PROPERTY OF QSC AUDIO PRODUCTS, THAT MAY NOT BE DISCLOSED, REPRODUCED OR USED WITHOUT EXPRESS WRITTEN CONSENT FROM QSC AUDIO PRODUCTS.

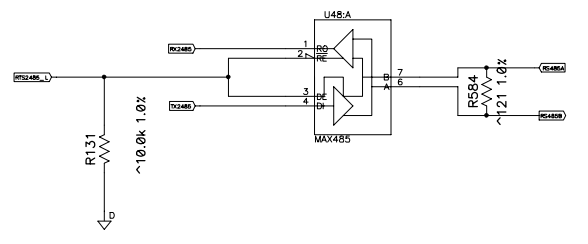
# SHEET "STNBY/SHFT"



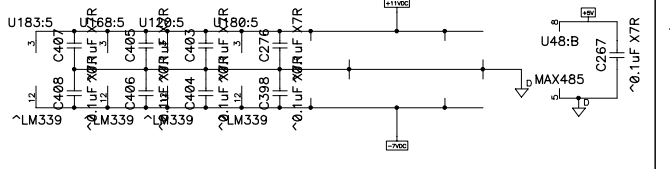
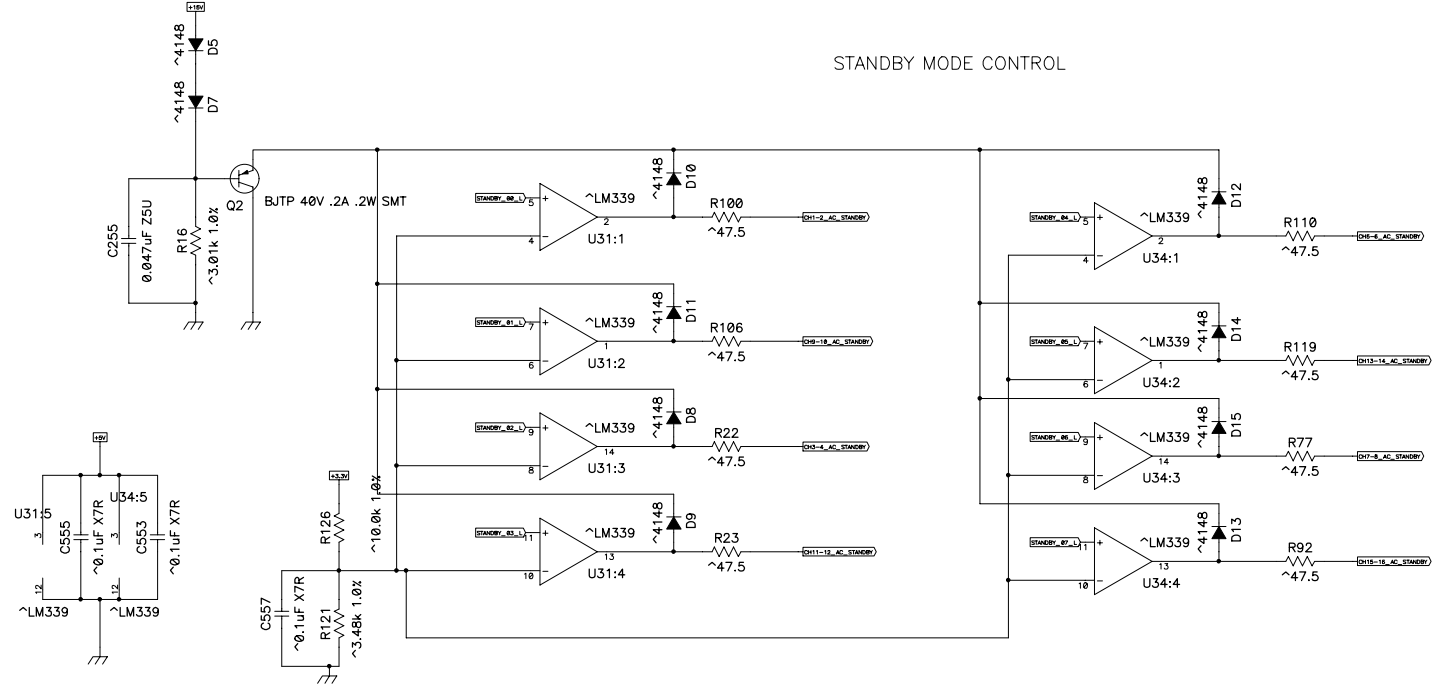
## ETHERNET LEDS



## RS-485



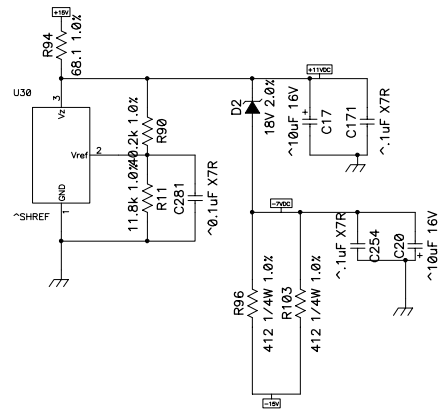
## STANDBY MODE CONTROL



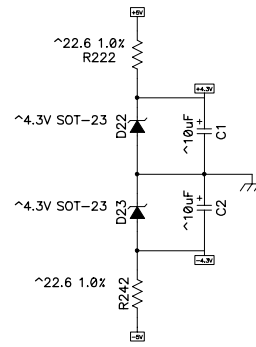
NOTES: UNLESS OTHERWISE SPECIFIED

A 14 SH-000219-00 Rev. 01

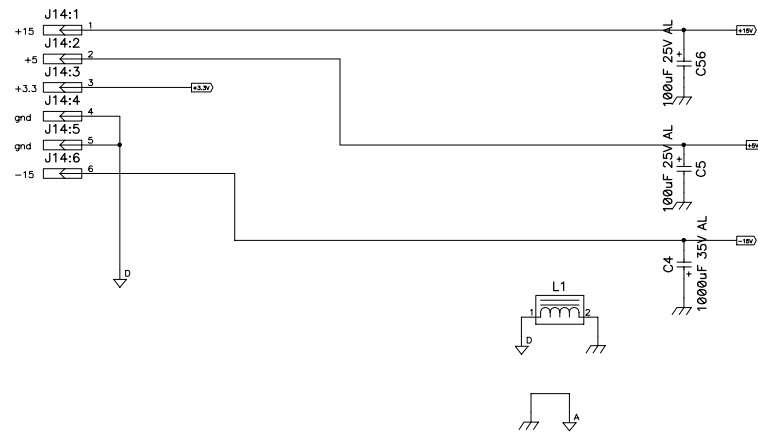
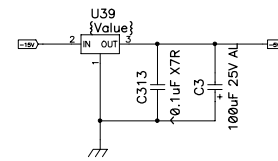
+11/-7V SUPPLY



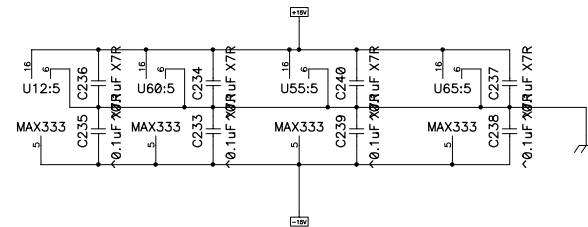
+4.3/-4.3 V SUPPLY



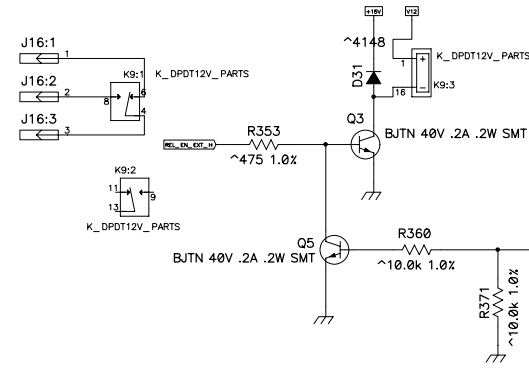
-5 V SUPPLY



Analogue Switches



CONTACT CLOSURE



Components Q5, R360 & R371 were added to guarantee non-energized state of contact closure at power up

RELAY CONTROL

