

THIS DOCUMENT CONTAINS PROPRIETARY INFORMATION WHICH IS THE PROPERTY OF QSC AUDIO PRODUCTS, THAT MAY NOT BE DISCLOSED, REPRODUCED OR USED WITHOUT EXPRESS WRITTEN CONSENT FROM QSC AUDIO PRODUCTS.

REVISION				
REV	DESCRIPTION	EFF. DATE	CHK	APPROVED / DATE
1	FROM RMX850, GAIN POTS, OUTPUT CONN, SIG LEADS	03-12-10		
A	RELEASE PER ECO 10186 NO CHANGES	08-23-10	ROBINDD	08-20-10

- 11. ZENER TOLERANCE IS 5%
- 10. SMT CAPACITOR VOLTAGE IS 50V
- 9. SMT RESISTOR WATTAGE RATING IS 0.1W
- 8. RESISTOR WATTAGE RATING IS 1/4W
FOR RESISTOR WATTAGE RATINGS GREATER THAN 1W, TOLERANCE IS 5%
FOR RESISTOR WATTAGE RATINGS LESS THAN 1/2W, TOLERANCE IS 1%
- 7. THROUGH-HOLE FILM AND CERAMIC CAPACITOR TOLERANCE IS 10%, VOLTAGE IS 100V
- 6. ELECTROLYTIC CAPACITOR TOLERANCE IS 20%
- 5. J104, J204 ARE CONNECTED PIN TO PIN BY 13-LINE RIBBON CABLE.
- 4. PART NUMBERING SCHEME
PARTS IN COMMON TO BOTH CH: 1-99. CH 1 PARTS 101-199, CH 2 PARTS 201-299.
- 3. COMPONENTS MARKED WITH Δ ARE SAFETY CRITICAL PARTS.
- 2. COMPONENTS WITH VALUE PREFIXED WITH A "*" REPRESENT SMT COMPONENTS.
- 1. THIS DRAWING USED IN CONJUNCTION WITH ASSEMBLY WP-200301-00
NOTES: UNLESS OTHERWISE SPECIFIED

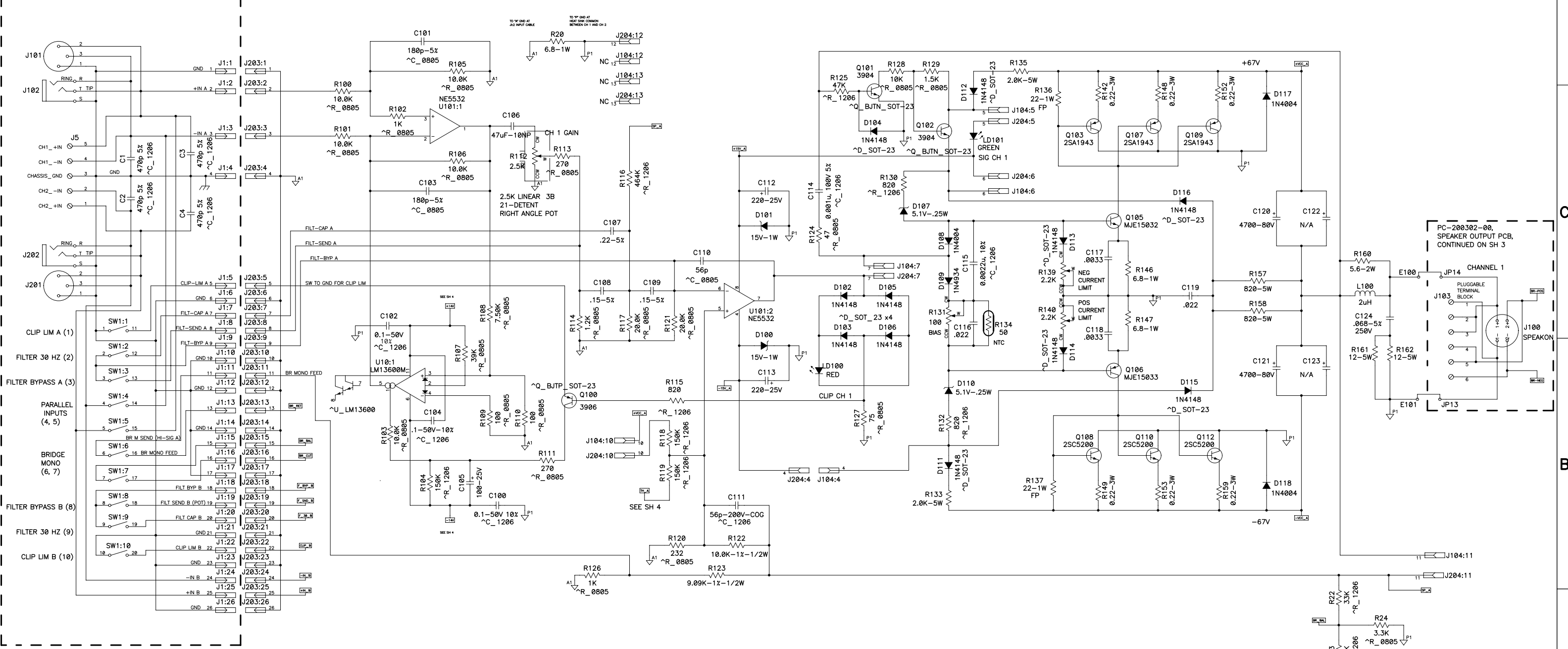
QTY	ITEM NO.	PART NO.	DESCRIPTION	VENDOR
PARTS LIST				
UNLESS OTHERWISE SPECIFIED DIMENSIONS ARE IN INCHES. DIMENSIONS PER ANSI Y14.5-1982 TOLERANCES ARE: DECIMALS DECIMALS ANGLES .XX ± .XXX ± °			CONTRACT NO.	
DEBURR EDGES .XXX R MAX MATERIAL			QSC AUDIO PRODUCTS, LLC COSTA MESA, CALIFORNIA	
FINISH			SCHEMATIC DIAGRAM CMX300V	
NEXT ASSY USED ON			APPROVALS DATE DRAWN I. OVERHOLT 03/12/2010 CHECKED D. GALVAN 08-12-10 ISSUED D. DELARM 08-20-10 CAD SEED FILE NO. PLOT DATE: Fri Aug 20, 2010	
APPLICATION DO NOT SCALE DRAWING			SIZE D FSCM NO. DWG NO. SH-200301-00 REV A SCALE NONE CAD FILE NO. SH-200301-A.SCH SHEET 1 OF 4	

A-REV 1 SH-200301-00 DWG NO.

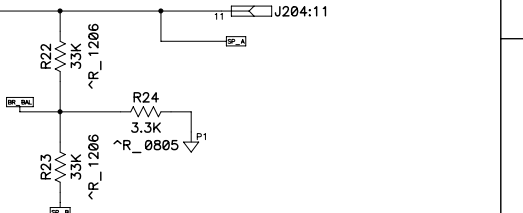
THIS DOCUMENT CONTAINS PROPRIETARY INFORMATION WHICH IS THE PROPERTY OF QSC AUDIO PRODUCTS, THAT MAY NOT BE DISCLOSED, REPRODUCED OR USED WITHOUT EXPRESS WRITTEN CONSENT FROM QSC AUDIO PRODUCTS.

CHANNEL-1

PC-200302-00, INPUT PCB

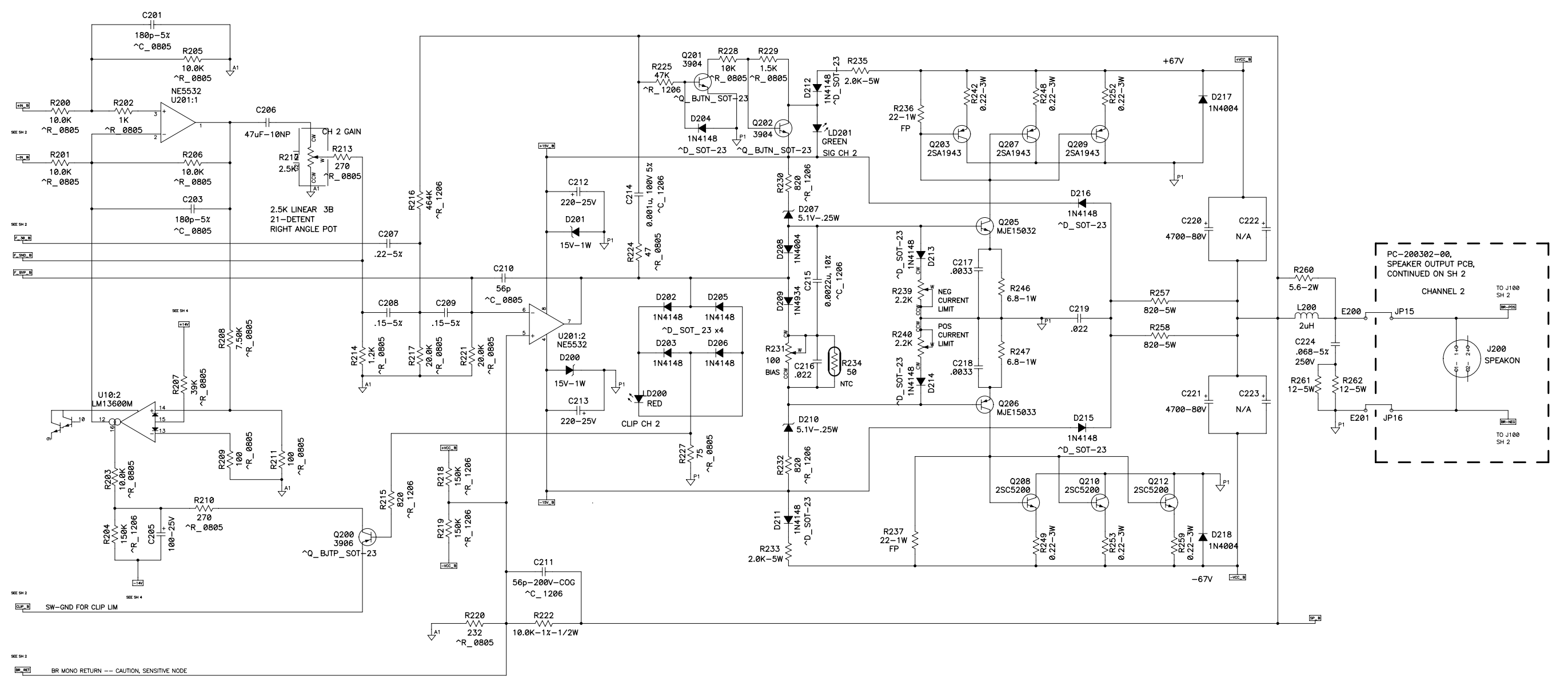


PC-200302-00, SPEAKER OUTPUT PCB, CONTINUED ON SH 3



THIS DOCUMENT CONTAINS PROPRIETARY INFORMATION WHICH IS THE PROPERTY OF QSC AUDIO PRODUCTS, THAT MAY NOT BE DISCLOSED, REPRODUCED OR USED WITHOUT EXPRESS WRITTEN CONSENT FROM QSC AUDIO PRODUCTS.

CHANNEL-2



A 3 SH-200301-00
REV. DWG NO.

THIS DOCUMENT CONTAINS PROPRIETARY INFORMATION WHICH IS THE PROPERTY OF QSC AUDIO PRODUCTS, THAT MAY NOT BE DISCLOSED, REPRODUCED OR USED WITHOUT EXPRESS WRITTEN CONSENT FROM QSC AUDIO PRODUCTS.

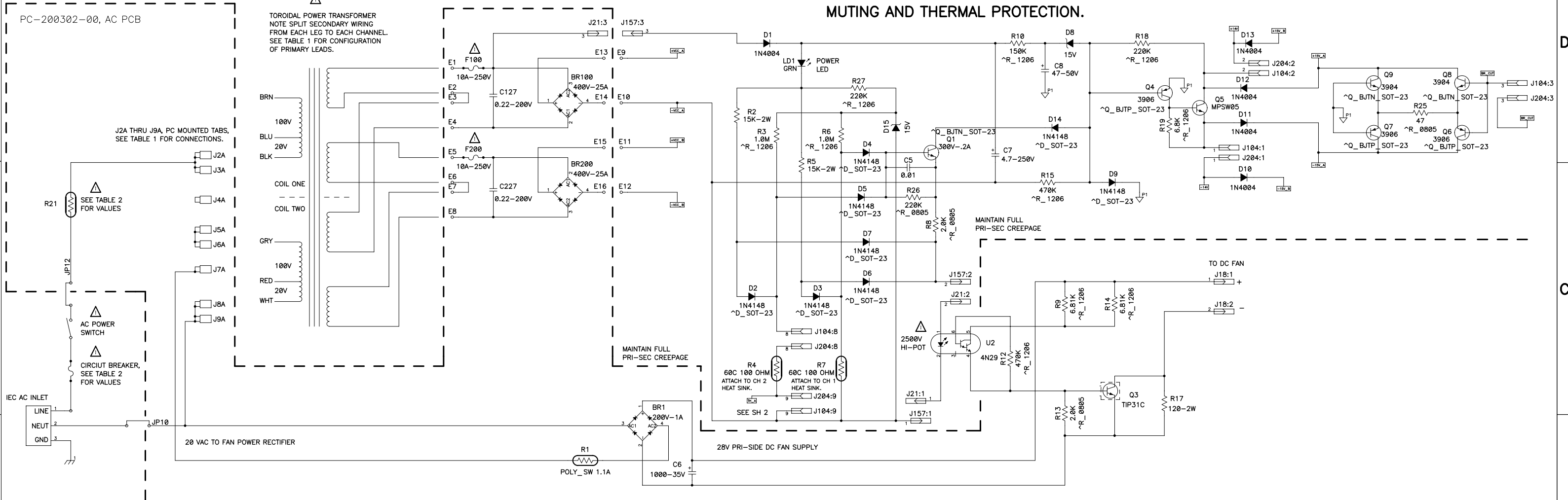


TABLE 1

POWER TRANSFORMER PRIMARY LEAD COLOR	AC LINE VOLTAGE			TAB
	100V	120V	240V	
BRN	BRN	BRN	BRN	J2A
GRY	GRY	-	-	J3A
BLK	BLU	BLU	BLU	J4A
-	-	BLK	BLK	J5A
-	-	GRY	GRY	J6A
WHT	RED	RED	RED	J7A
BLU	BLK	-	-	J8A
RED	WHT	WHT	WHT	J9A

TABLE 2

CIRCUIT BREAKER	AC LINE VOLTAGE		
	100V	120V	240V
R21	1 OHM 30A	1 OHM 30A	1 OHM 30A