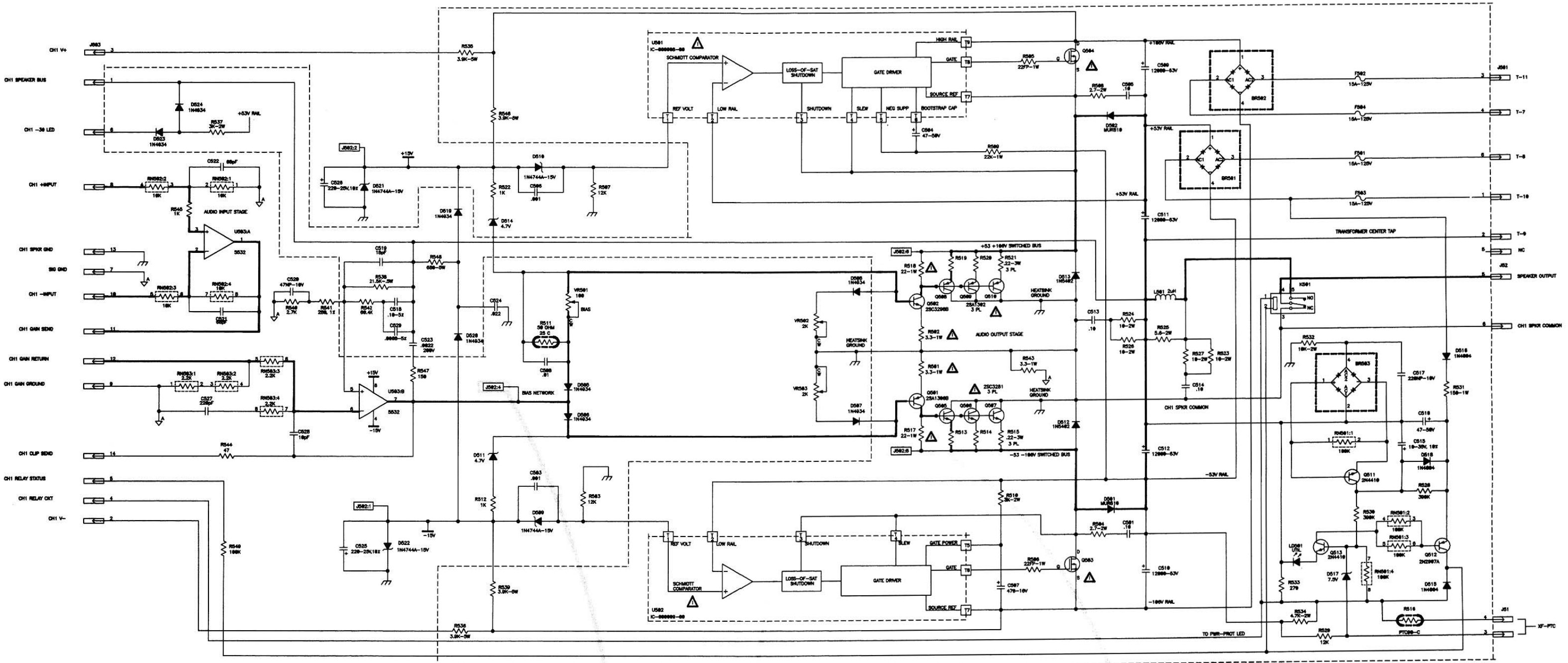
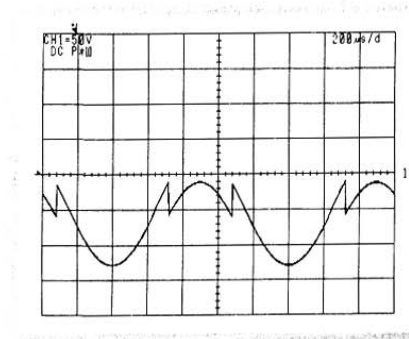
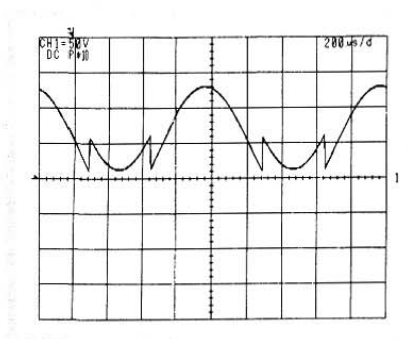
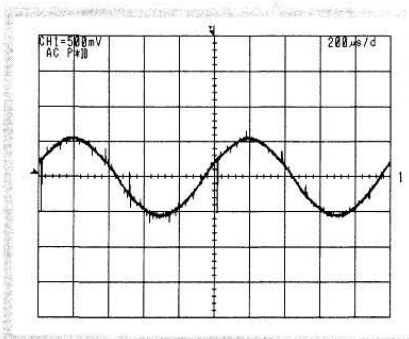


SCHMATIC DIAGRAM, CX12 / CX12T
Main PCB Assy

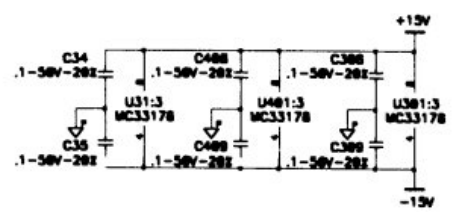
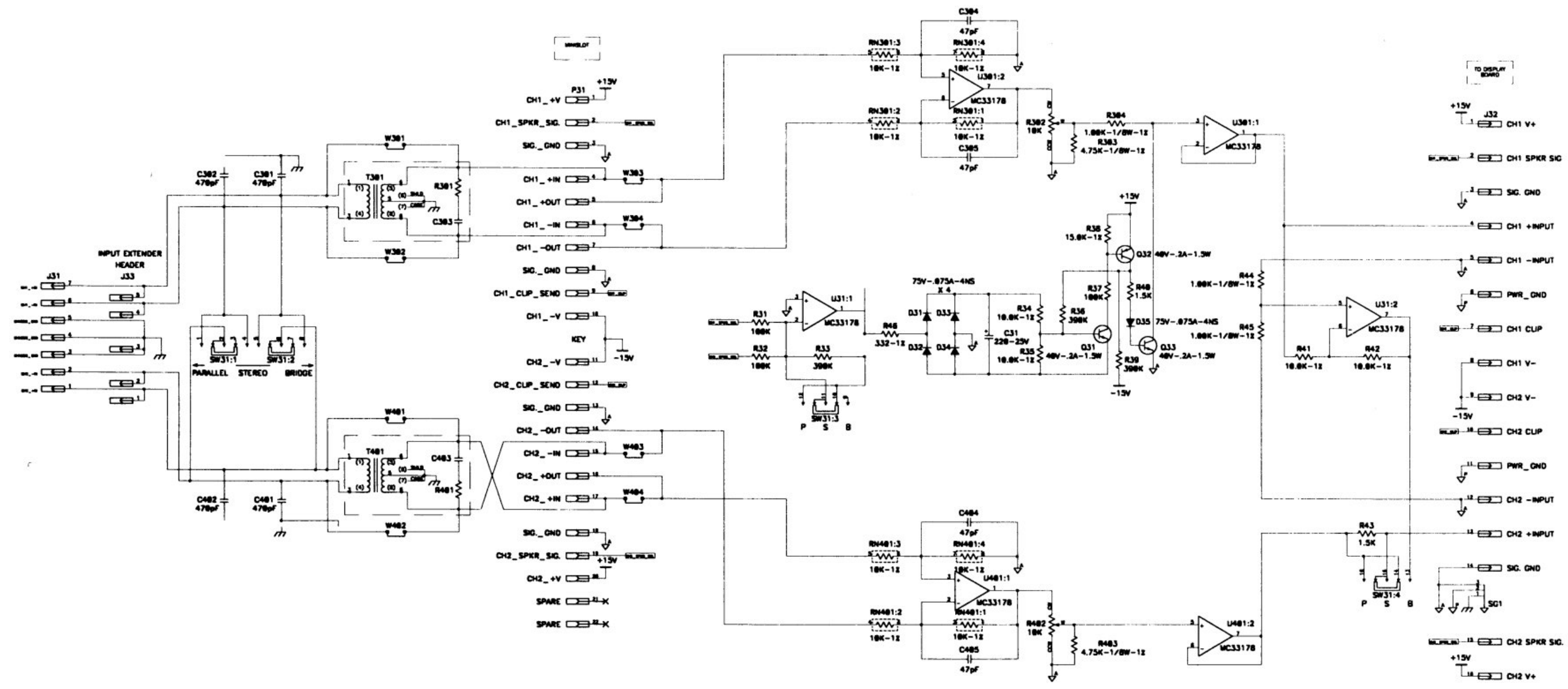


- 10. DIODES D525, 625 ARE USED ON MPX 300 MAIN AMP PCB ASSY., P/N WP-000113-00, AND APPEAR ON PC-001510-00.
- 9. PARTS ENCLOSED WITHIN DOTTED OUTLINE HAVE VOLTAGES GREATER THAN 42V.
- 8. PARTS MARKED WITH TRIANGLE ▲ MUST BE REPLACED WITH EXACT TYPE ONLY.
- 7. BRIDGE RECTIFIER BR 503, 603, 1.5A, 100V.
- 6. ZENERS D517, 617, MARKED 7.5V, LOW LEAKAGE, P/N QD-0007.5-ZT
- 5. Q 503, 504 603, 604 ARE SWITCHING FETS, P/N QD-000031-QD, 125W, 60V MINIMUM, ON-RESISTANCE 0.030 OHMS MAX.
- 4. R516, 616 IS POSITIVE TEMPERATURE COEFFICIENT RESISTOR, MTD TO HEAT SINK. RESISTANCE 100 OHM COLD, RISING AT 85 C. P/N RE-000000-PT
- 3. ALL CAPACITORS 100V UNLESS OTHERWISE NOTED. TOLERANCE 20% FOR ELECTROLYTIC TYPES, 10% ON OTHER TYPES.
- 2. ALL RESISTORS 1/4-WATT, 5% UNLESS NOTED.
- 1. CH2 IS IDENTICAL TO CH1, EXCEPT PART NUMBER SEQUENCE R 601, 602 ETC. NOTES UNLESS OTHERWISE SPECIFIED



THIS DOCUMENT CONTAINS PROPRIETARY INFORMATION WHICH IS THE PROPERTY OF QSC AUDIO PRODUCTS. THAT MAY NOT BE DISCLOSED, REPRODUCED OR USED WITHOUT EXPRESS WRITTEN CONSENT FROM QSC AUDIO PRODUCTS.

REVISIONS				
ZONE	REV	DESCRIPTION	DATE	APPROVED
	1	PROTOTYPE RELEASE 8-14-95 AC		
	2	PROTOTYPE RELEASE 9-7-95 AC		
	3	PROTOTYPE RELEASE 9-28-95 AC		
	A	PROD. RELEASE PER ECO 2876 AC (EFF. 12-1-95)	11-28-95	T.S.
	B	REVISED PER ECO 2923 AC (EFF. 1-19-96)		



- 9. PARTS IN COMMON TO BOTH CHANNELS NUMBERED 31-48.
 - 8. CH 2 COMPONENTS NUMBERED 401-499.
 - 7. CH 1 COMPONENTS NUMBERED 301-399.
 - 6. ALL RESISTORS IN OHMS 1/4 WATT, ±5%.
 - 5. ALL CAPACITORS IN μF.
 - 4. TRANSFORMER PIN NUMBERS: 1-8 TRIAD TY-144P (1-8 JENSEN JT 8043).
 - 3. PARTS WITHIN DASHED OUTLINE FOR USER MODIFICATION. SEE MANUAL.
 - 2. BOARD SHIPPED WITH W301-304, W401-404 MOUNTED AS SHOWN.
 - 1. THIS DRAWING USED IN CONJUNCTION WITH PCB ASSEMBLY WP-888943-00 AND FABRICATION DRAWING PC-888943-00.
- NOTES: UNLESS OTHERWISE SPECIFIED

QTY	ITEM NO.	PART NO.	DESCRIPTION	VENDOR
PARTS LIST				
UNLESS OTHERWISE SPECIFIED DIMENSIONS ARE IN INCHES. TOLERANCES ARE:			CONTRACT NO.	
DECIMALS DECIMALS ANGLES			APPROVALS DATE	
JXX ± JXX ± 0			DRAWN Robert Becker 7-21-95	
MATERIAL			CHECKED W. RULAND 11-28-95	
FINISH			ISSUED TIM SHOOK 11-28-95	
NEXT ASSY USED ON			CAD SEED FILE NO. FA Aug 82 1986	
APPLICATION			SCALE	
DO NOT SCALE DRAWING			SCALE	

QSC AUDIO PRODUCTS, INC.
COSTA MESA, CALIFORNIA

SCHEMATIC DIAGRAM
INPUT CX SERIES

SIZE: D FSCM NO. SH-000943-00
REV: B

DATE: 11-28-95
SCALE: 1:1
SHEET: 1 OF 1

B rev 1 SH-000943-00 (Dwg No.)

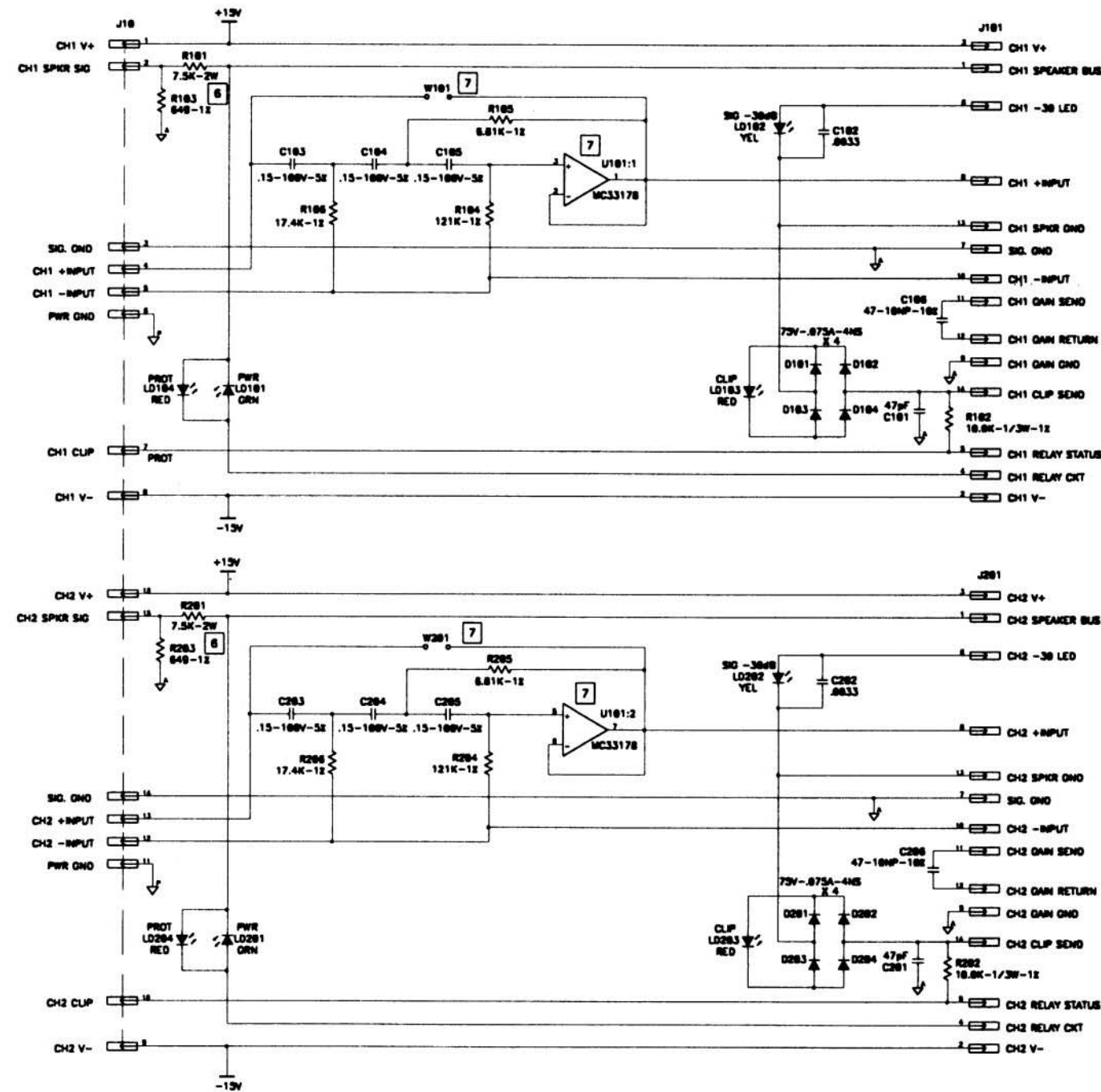
THIS DOCUMENT CONTAINS PROPRIETARY INFORMATION WHICH IS THE PROPERTY OF QSC AUDIO PRODUCTS. THAT MAY NOT BE DISCLOSED, REPRODUCED OR USED WITHOUT EXPRESS WRITTEN CONSENT FROM QSC AUDIO PRODUCTS.

SCHEMATIC DIAGRAM, DISPLAY BOARD, CX6T (SHOWN)
FOR FAB SEE PC-000944-00 REV B
DOC NO. SH-000944-XX REV B

REVISIONS				
ZONE	REV	DESCRIPTION	DATE	APPROVED
	1	PROTOTYPE RELEASE 8-14-85 AC		
	2	PROTOTYPE RELEASE 9-12-85 AC		
	3	PROTOTYPE RELEASE 10-4-85 AC		
	A	PROD. RELEASE PER ECO 2875 AC (EFF. 12-1-85)	11-28-85	TS
	B	REVISE PER ECO 3000X AC (EFF.)		

CH1

CH2

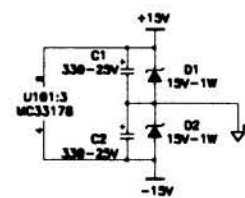


TABULATION BLOCK		
DASH NO.	MODEL	USED ON
-00	CX6	WP-000944-00
-01	CX6T	WP-000944-01
-02	CX12	WP-000944-02
-03	CX12T	WP-000944-03

7 CONFIGURATION OF JUMPERS AND OPAMPS TO MODELS:

MODEL	ASSEMBLY NO.	W101/201	U101:1/2
CX6	WP-000944-00	IN PLACE	REMOVED
CX6T	WP-000944-01	CUT/REMOVED	INSTALLED
CX12	WP-000944-02	IN PLACE	REMOVED
CX12T	WP-000944-03	CUT/REMOVED	INSTALLED

- 8 FOR CX12: R103/203 VALUE IS 487-12.
 R101/201 VALUE IS 8.2K-2W.
1. ALL CAPACITORS IN μ F, 25V.
 2. ALL RESISTORS IN OHMS 1/4 WATT, $\pm 5\%$.
 3. CH 1 COMPONENTS NUMBERED 101-199.
 4. CH 2 COMPONENTS NUMBERED 201-299.
 5. PARTS IN COMMON TO BOTH CHANNELS NUMBERED 1-99.
- NOTES: UNLESS OTHERWISE SPECIFIED



QTY	ITEM NO.	PART NO.	DESCRIPTION	VENDOR
PARTS LIST				
UNLESS OTHERWISE SPECIFIED DIMENSIONS ARE IN INCHES. DIMENSIONS FOR ANGLES Y14.5-1982 TOLERANCES ARE: DECIMALS DECIMALS ANGLES .XX ± .XXX ± °				
CONTRACT NO. QSC AUDIO PRODUCTS, INC. COSTA MESA, CALIFORNIA				
SCHEMATIC DIAGRAM DISPLAY BOARD CX6/CX12, CX6T/CX12T				
APPROVALS		DATE		
DESIGN: Robert Becker		7-26-86		
CHECKED: W. RULAND		11-28-85		
ISSUED: TIM SHOOK		11-28-85		
CND SEED FILE NO. SH-00044-BLSCH		PH Aug 88 1988		
NEXT ASSY USED ON		SCALE		
APPLICATION		DO NOT SCALE DRAWING		
SIZE: D		REV: B		
SHEET 1 OF 1		SH-000944-XX		

SH-000944-XX (REV B)