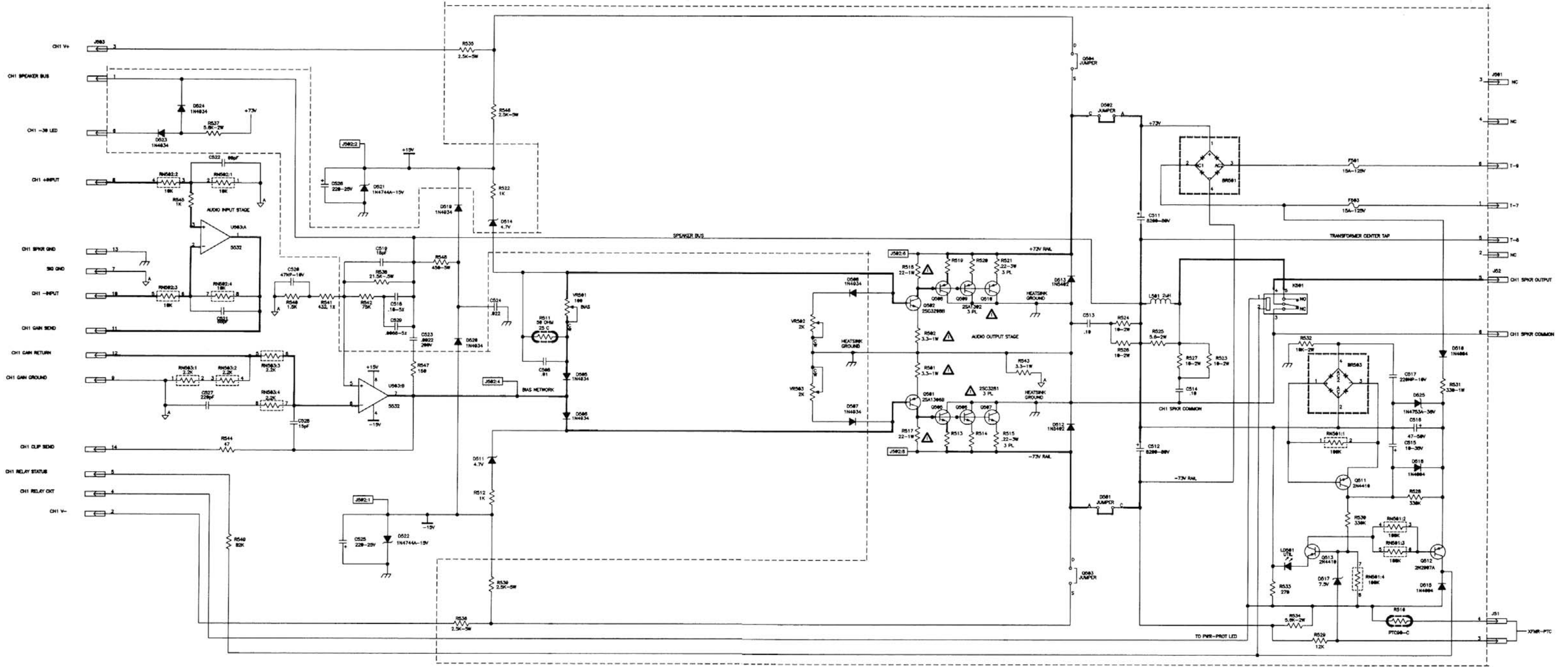
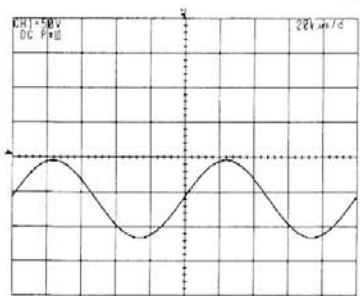
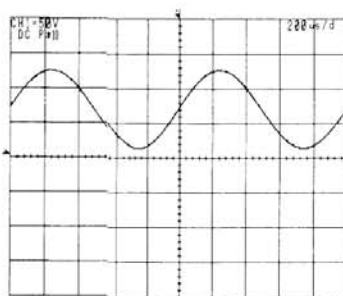
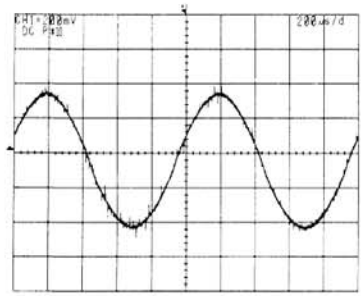




SCHEMATIC DIAGRAM, CX6 / CX6T  
Main PCB Assy

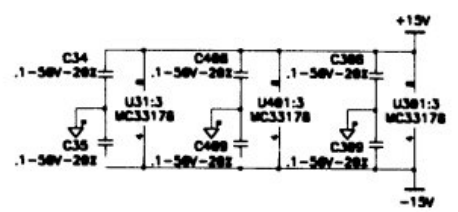
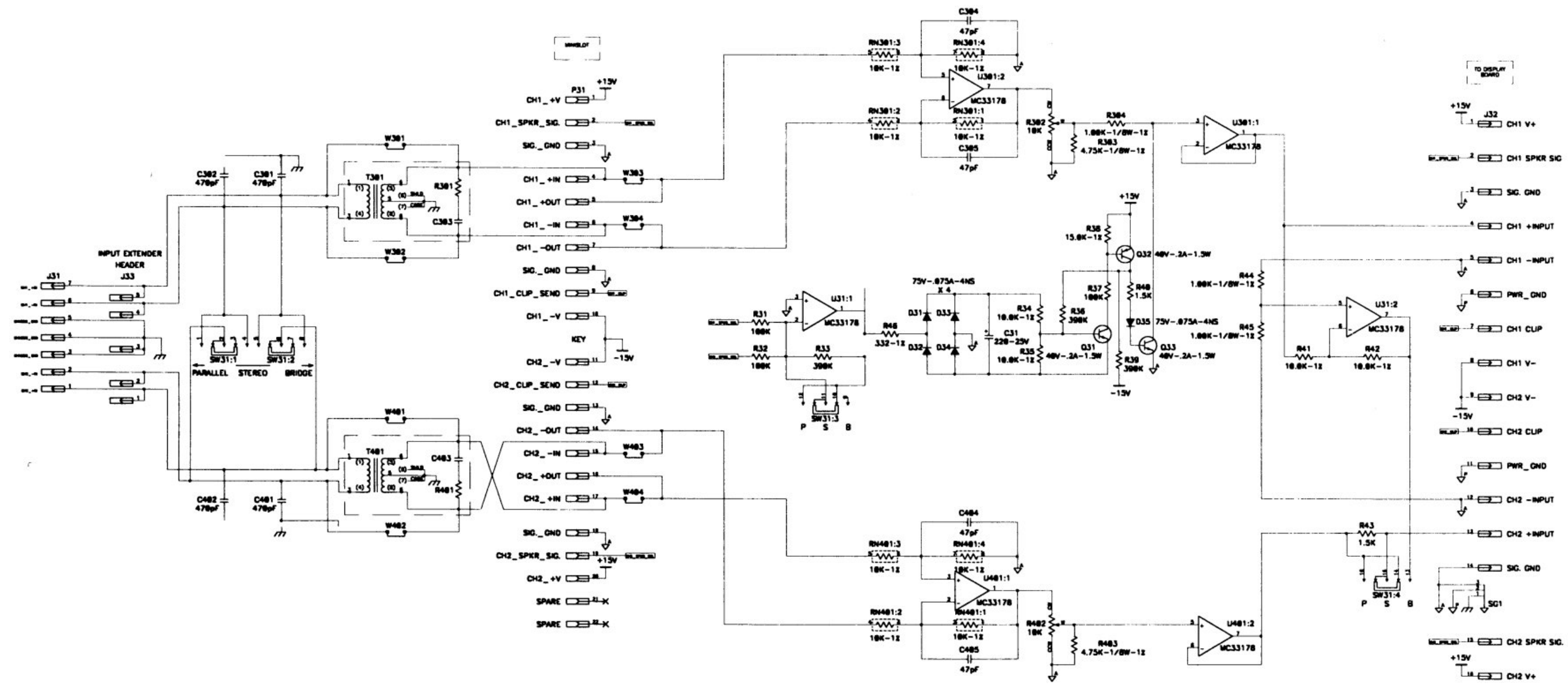


- 8. PARTS ENCLOSED WITHIN DOTTED OUTLINE ----- HAVE VOLTAGES GREATER THAN 42V.
- 7. PARTS MARKED WITH TRIANGLE  $\Delta$  MUST BE REPLACED WITH EXACT TYPE ONLY.
- 6. BRIDGE RECTIFIER BR 503, 603, 1.5A, 100V.
- 5. ZENERS D517, 617, MARKED 7.5V, LOW LEAKAGE. P/N QD-0007.5-ZT
- 4. R516, 616 IS POSITIVE TEMPERATURE COEFFICIENT RESISTOR, MTD TO HEAT SINK. RESISTANCE 100 OHM COLD, RISING AT 85 C. P/N RE-000009-PT
- 3. ALL CAPACITORS 100V UNLESS OTHERWISE NOTED. TOLERANCE 20% FOR ELECTROLYTIC TYPES, 10% ON OTHER TYPES.
- 2. ALL RESISTORS 1/4-WATT, 5% UNLESS NOTED.
- 1. CH2 IS IDENTICAL TO CH1, EXCEPT PART NUMBER SEQUENCE R 601, 602 ETC. NOTES UNLESS OTHERWISE SPECIFIED



THIS DOCUMENT CONTAINS PROPRIETARY INFORMATION WHICH IS THE PROPERTY OF QSC AUDIO PRODUCTS. THAT MAY NOT BE DISCLOSED, REPRODUCED OR USED WITHOUT EXPRESS WRITTEN CONSENT FROM QSC AUDIO PRODUCTS.

| REVISIONS |     |                                              |          |          |
|-----------|-----|----------------------------------------------|----------|----------|
| ZONE      | REV | DESCRIPTION                                  | DATE     | APPROVED |
|           | 1   | PROTOTYPE RELEASE 8-14-95 AC                 |          |          |
|           | 2   | PROTOTYPE RELEASE 9-7-95 AC                  |          |          |
|           | 3   | PROTOTYPE RELEASE 9-28-95 AC                 |          |          |
|           | A   | PROD. RELEASE PER ECO 2876 AC (EFF. 12-1-95) | 11-28-95 | T.S.     |
|           | B   | REVISED PER ECO 2923 AC (EFF. 1-19-96)       |          |          |



- 9. PARTS IN COMMON TO BOTH CHANNELS NUMBERED 31-48.
  - 8. CH 2 COMPONENTS NUMBERED 481-499.
  - 7. CH 1 COMPONENTS NUMBERED 381-399.
  - 6. ALL RESISTORS IN OHMS 1/4 WATT, ±5%.
  - 5. ALL CAPACITORS IN μF.
  - 4. TRANSFORMER PIN NUMBERS: 1-8 TRIAD TY-144P (1-8 JENSEN JT 8843).
  - 3. PARTS WITHIN DASHED OUTLINE FOR USER MODIFICATION. SEE MANUAL.
  - 2. BOARD SHIPPED WITH W381-384, W481-484 MOUNTED AS SHOWN.
  - 1. THIS DRAWING USED IN CONJUNCTION WITH PCB ASSEMBLY WP-888943-08 AND FABRICATION DRAWING PC-888943-08.
- NOTES: UNLESS OTHERWISE SPECIFIED

| QTY                                                                  | ITEM NO. | PART NO. | DESCRIPTION                 | VENDOR |
|----------------------------------------------------------------------|----------|----------|-----------------------------|--------|
| PARTS LIST                                                           |          |          |                             |        |
| UNLESS OTHERWISE SPECIFIED DIMENSIONS ARE IN INCHES. TOLERANCES ARE: |          |          | CONTRACT NO.                |        |
| DECIMALS DECIMALS ANGLES                                             |          |          | APPROVALS DATE              |        |
| JXX ± JXX ± 0                                                        |          |          | DRAWN Robert Becker 7-21-95 |        |
| DEBURR EDGES JOOK R MAX MATERIAL                                     |          |          | CHECKED W. RULAND 11-28-95  |        |
| FINISH                                                               |          |          | ISSUED TIM SHOOK 11-28-95   |        |
| CAD SEED FILE NO.                                                    |          |          | CAD FILE NO. C:\JUMP\SH     |        |
| APPLICATION                                                          |          |          | SCALE                       |        |
| DO NOT SCALE DRAWING                                                 |          |          | SHEET 1 OF 1                |        |

**QSC AUDIO PRODUCTS, INC.**  
COSTA MESA, CALIFORNIA

**SCHEMATIC DIAGRAM**  
**INPUT CX SERIES**

SIZE: D FSCM NO. SH-000943-00 REV B

B rev 1 SH-000943-00 (Dwg No.)

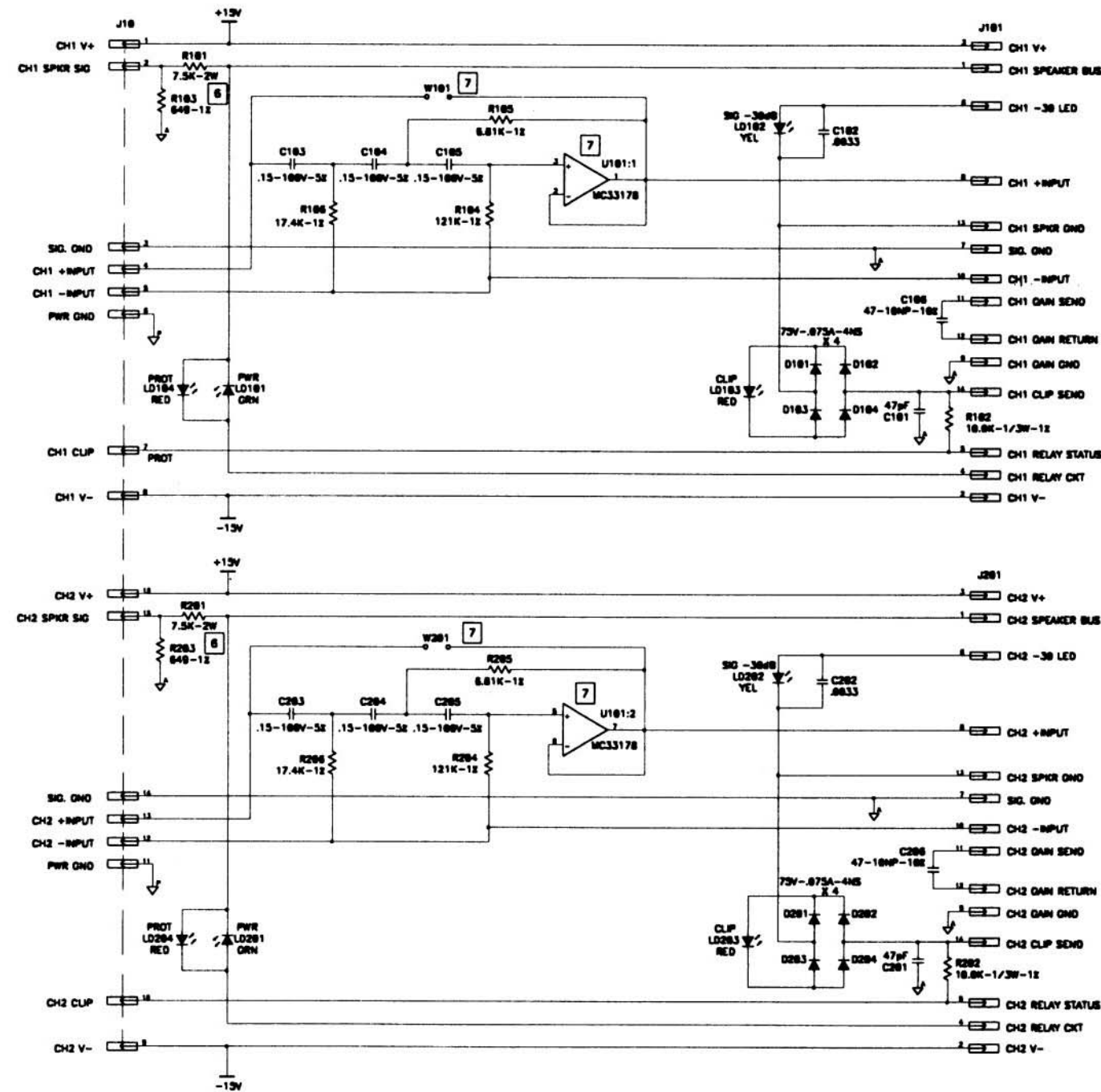
THIS DOCUMENT CONTAINS PROPRIETARY INFORMATION WHICH IS THE PROPERTY OF QSC AUDIO PRODUCTS. THAT MAY NOT BE DISCLOSED, REPRODUCED OR USED WITHOUT EXPRESS WRITTEN CONSENT FROM QSC AUDIO PRODUCTS.

**SCHEMATIC DIAGRAM, DISPLAY BOARD, CX6T (SHOWN)**  
**FOR FAB SEE PC-000944-00 REV B**  
**DOC NO. SH-000944-XX REV B**

| REVISIONS |     |                                              |          |          |
|-----------|-----|----------------------------------------------|----------|----------|
| ZONE      | REV | DESCRIPTION                                  | DATE     | APPROVED |
|           | 1   | PROTOTYPE RELEASE 8-14-85 AC                 |          |          |
|           | 2   | PROTOTYPE RELEASE 9-12-85 AC                 |          |          |
|           | 3   | PROTOTYPE RELEASE 10-4-85 AC                 |          |          |
|           | A   | PROD. RELEASE PER ECO 2875 AC (EFF. 12-1-85) | 11-28-85 | TS       |
|           | B   | REVISE PER ECO 3000X AC (EFF. )              |          |          |

CH1

CH2



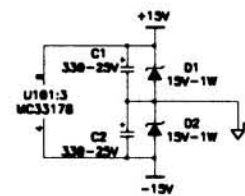
| TABULATION BLOCK |       |              |
|------------------|-------|--------------|
| DASH NO.         | MODEL | USED ON      |
| -00              | CX6   | WP-000944-00 |
| -01              | CX6T  | WP-000944-01 |
| -02              | CX12  | WP-000944-02 |
| -03              | CX12T | WP-000944-03 |

7 CONFIGURATION OF JUMPERS AND OPAMPS TO MODELS:

| MODEL | ASSEMBLY NO. | W101/201    | U101:1/2  |
|-------|--------------|-------------|-----------|
| CX6   | WP-000944-00 | IN PLACE    | REMOVED   |
| CX6T  | WP-000944-01 | CUT/REMOVED | INSTALLED |
| CX12  | WP-000944-02 | IN PLACE    | REMOVED   |
| CX12T | WP-000944-03 | CUT/REMOVED | INSTALLED |

- 8 FOR CX12: R103/203 VALUE IS 487-12.  
 R101/201 VALUE IS 8.2K-2W.
1. ALL CAPACITORS IN  $\mu$ F, 25V.
  2. ALL RESISTORS IN OHMS 1/4 WATT,  $\pm 5\%$ .
  3. CH 1 COMPONENTS NUMBERED 101-199.
  4. CH 2 COMPONENTS NUMBERED 201-299.
  5. PARTS IN COMMON TO BOTH CHANNELS NUMBERED 1-99.

NOTES: UNLESS OTHERWISE SPECIFIED



| QTY                                                                                                | ITEM NO. | PART NO. | DESCRIPTION | VENDOR |
|----------------------------------------------------------------------------------------------------|----------|----------|-------------|--------|
| PARTS LIST                                                                                         |          |          |             |        |
| UNLESS OTHERWISE SPECIFIED DIMENSIONS ARE IN INCHES. DIMENSIONS FOR ANS Y14.5-1982 TOLERANCES ARE: |          |          |             |        |
| DECIMALS DECIMALS ANGLES                                                                           |          |          |             |        |
| .XX ± .XXX ± .0                                                                                    |          |          |             |        |
| DECURR EDGES .50X R MAX MATERIAL                                                                   |          |          |             |        |
| FINISH                                                                                             |          |          |             |        |
| NEXT ASSY USED ON                                                                                  |          |          |             |        |
| APPLICATION DO NOT SCALE DRAWING                                                                   |          |          |             |        |

|                                    |                |                                                            |  |
|------------------------------------|----------------|------------------------------------------------------------|--|
| CONTRACT NO.                       |                | QSC AUDIO PRODUCTS, INC.<br>COSTA MESA, CALIFORNIA         |  |
| APPROVALS                          | DATE           | SCHEMATIC DIAGRAM<br>DISPLAY BOARD CX6/CX12,<br>CX6T/CX12T |  |
| DRWEN<br>Robert Becker             | 7-26-86        | SIZE: D                                                    |  |
| CHECKED<br>W. RULAND               | 11-28-85       | REV: B                                                     |  |
| ISSUED<br>TIM SHOOK                | 11-28-85       | DWG NO. SH-000944-XX                                       |  |
| CAD SEED FILE NO.<br>SH-00044-BLCH | PH Aug 88 1988 | SHEET 1 OF 1                                               |  |

B 1 SH-000944-XX (000) 1