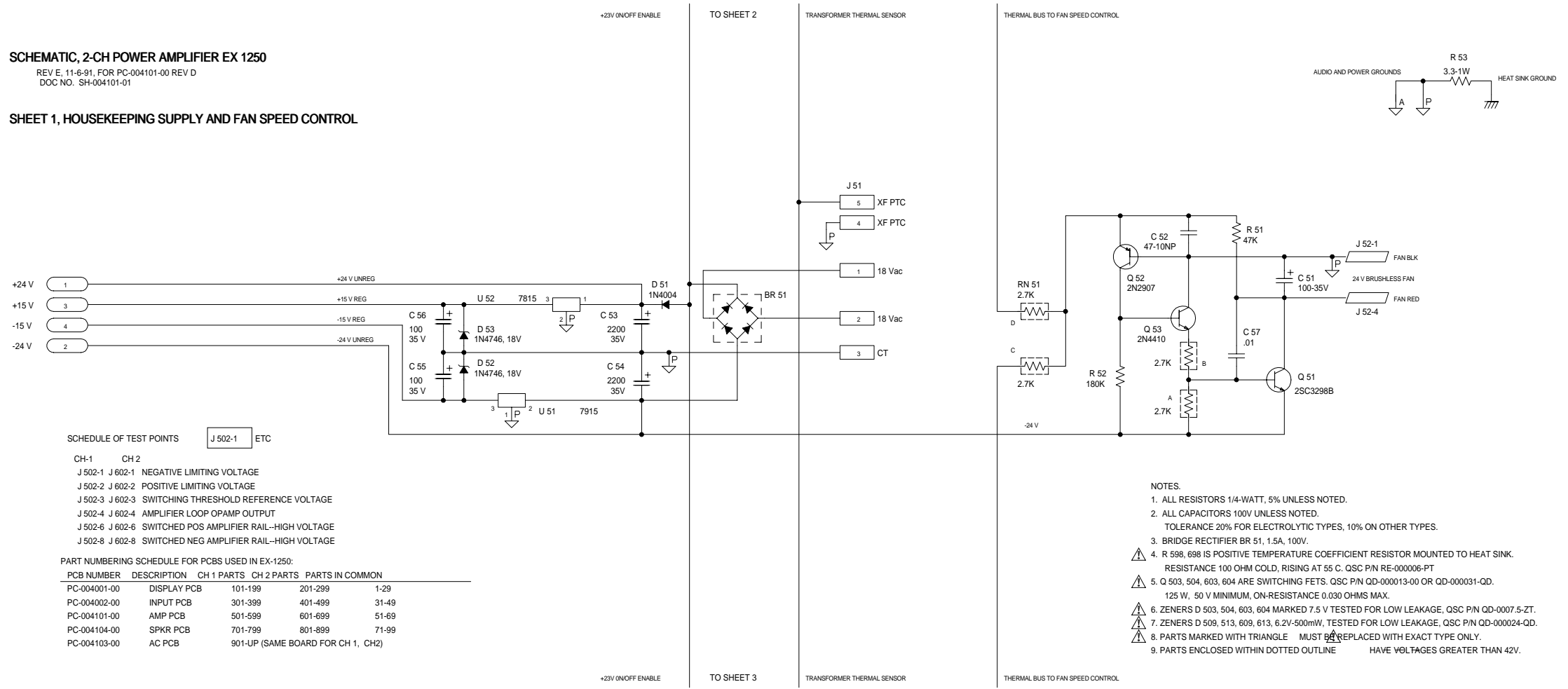


THIS DOCUMENT CONTAINS PROPRIETARY INFORMATION WHICH IS THE PROPERTY OF QSC AUDIO PRODUCTS, THAT MAY NOT BE DISCLOSED, REPRODUCED OR USED WITHOUT EXPRESS WRITTEN CONSENT FROM QSC AUDIO PRODUCTS.

ZONE	REV	DESCRIPTION	DATE	APPROVED
B		PROD RELEASE PER ECO 1107 GLF	5-29-91	SGM
C		REVISED PER ECO 1127 RDS	7-12-91	SGM
D		REVISED PER ECO 1262	10-9-91	SGM
E		REVISED PER ECO 1289 PHQ	11-6-91	SGM
F		REVISED PER ECO 1508 SGM	6-10-92	SGM
G		REVISED PER ECO 1602 WR	10-21-92	SGM / RAB
H		REVISED PER ECO 2009	5-11-94	SGM
J		REVISED PER ECO 2371 MP (EFF. 7-28-94)	7-20-94	SGM
K		REVISED PER ECO 2506 MP (EFF. 12-09-94)		

SCHEMATIC, 2-CH POWER AMPLIFIER EX 1250
REV E, 11-6-91, FOR PC-004101-00 REV D
DOC NO. SH-004101-01

SHEET 1, HOUSEKEEPING SUPPLY AND FAN SPEED CONTROL



SCHEDULE OF TEST POINTS

- J 502-1 ETC
- CH-1 CH 2
- J 502-1 J 602-1 NEGATIVE LIMITING VOLTAGE
- J 502-2 J 602-2 POSITIVE LIMITING VOLTAGE
- J 502-3 J 602-3 SWITCHING THRESHOLD REFERENCE VOLTAGE
- J 502-4 J 602-4 AMPLIFIER LOOP OPAMP OUTPUT
- J 502-6 J 602-6 SWITCHED POS AMPLIFIER RAIL-HIGH VOLTAGE
- J 502-8 J 602-8 SWITCHED NEG AMPLIFIER RAIL-HIGH VOLTAGE

PART NUMBERING SCHEDULE FOR PCBs USED IN EX-1250:

PCB NUMBER	DESCRIPTION	CH 1 PARTS	CH 2 PARTS	PARTS IN COMMON
PC-004001-00	DISPLAY PCB	101-199	201-299	1-29
PC-004002-00	INPUT PCB	301-399	401-499	31-49
PC-004101-00	AMP PCB	501-599	601-699	51-69
PC-004104-00	SPKR PCB	701-799	801-899	71-99
PC-004103-00	AC PCB	901-UP (SAME BOARD FOR CH 1, CH2)		

LAST USED REF. DESIGN.

- BR 51, BR 502, 602
- C51 - 57, C526, 626
- D51 - 53, D513, 613
- F504, 604
- J51, 52, J503, 603
- K501, 601
- L501, 601
- Q51 - 53, Q510, 610
- R51 - 53, R544, 644, R598, 698, R599, 699
- RN51, RN502, 602
- U51, 52, U506, 606
- VR503, 603

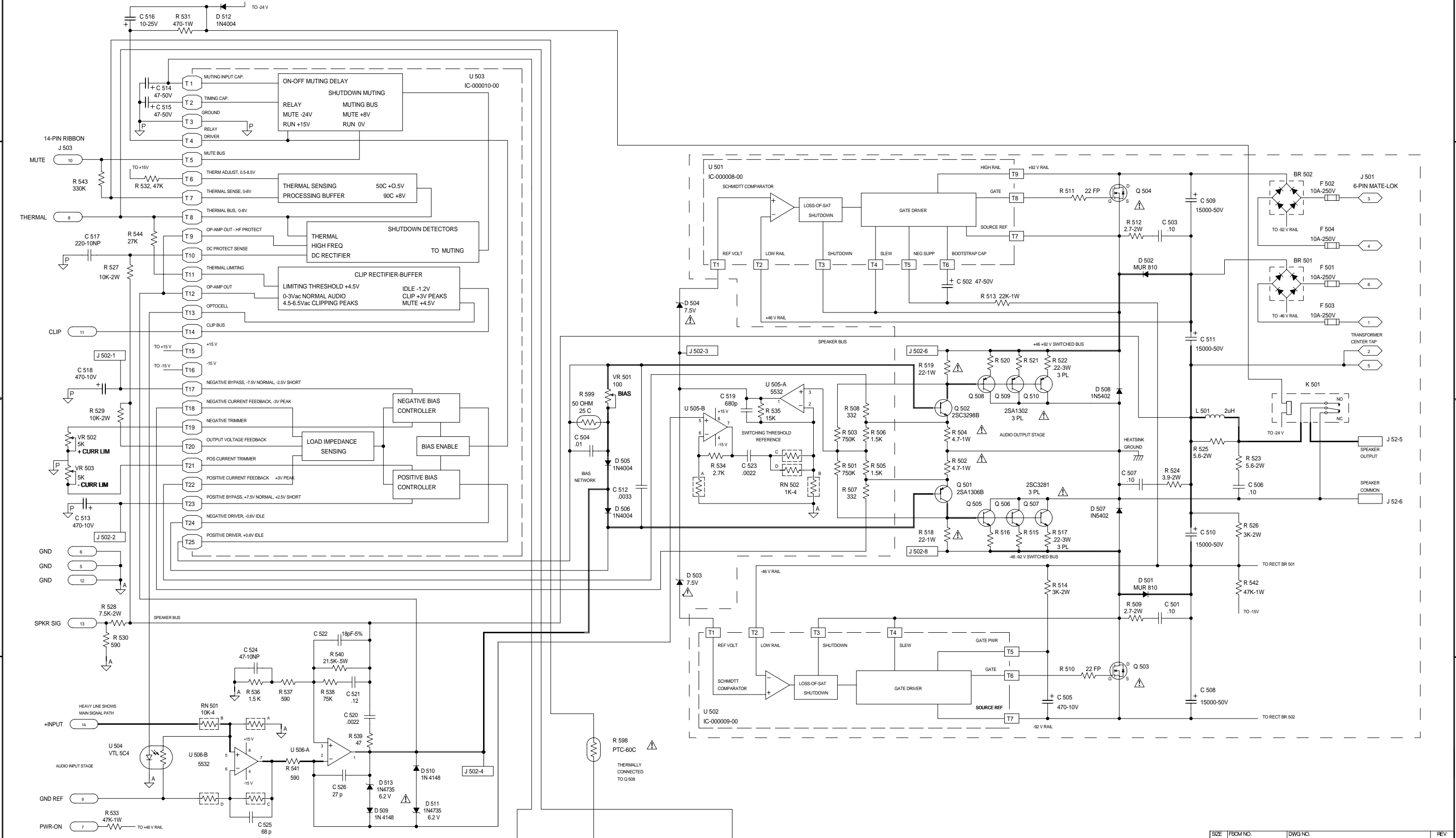
- NOTES.**
- ALL RESISTORS 1/4-WATT, 5% UNLESS NOTED.
 - ALL CAPACITORS 100V UNLESS NOTED. TOLERANCE 20% FOR ELECTROLYTIC TYPES, 10% ON OTHER TYPES.
 - BRIDGE RECTIFIER BR 51, 1.5A, 100V.
 - R 598, 698 IS POSITIVE TEMPERATURE COEFFICIENT RESISTOR MOUNTED TO HEAT SINK. RESISTANCE 100 OHM COLD, RISING AT 55 C. QSC P/N RE-000006-PT
 - Q 503, 504, 603, 604 ARE SWITCHING FETS. QSC P/N QD-000013-00 OR QD-000031-QD. 125 W, 50 V MINIMUM, ON-RESISTANCE 0.030 OHMS MAX.
 - ZENERS D 503, 504, 603, 604 MARKED 7.5 V TESTED FOR LOW LEAKAGE. QSC P/N QD-0007.5-ZT.
 - ZENERS D 509, 513, 609, 613, 6.2V-500mW, TESTED FOR LOW LEAKAGE. QSC P/N QD-000024-QD.
 - PARTS MARKED WITH TRIANGLE MUST BE REPLACED WITH EXACT TYPE ONLY.
 - PARTS ENCLOSED WITHIN DOTTED OUTLINE HAVE VOLTAGES GREATER THAN 42V.

PARTS LIST

UNLESS OTHERWISE SPECIFIED DIMENSIONS ARE IN INCHES TOLERANCES ARE:		CONTRACT NO.		QSC AUDIO PRODUCTS COSTA MESA, CALIFORNIA	
FRACTIONS	DECIMALS	APPROVALS	DATE	SCHEMATIC EX-1250 DRAWING	
+/-	XX +/-	PHQ	5-15-91		
	XXX +/-	CHECKED			
MATERIAL	FINISH	ISSUED		SIZE D	FSCM NO.
WP-004101-10	EX1250	SH1250J1.FCD		DWG NO.	SH-004101-01
NEXT ASSY	USED ON	SCALE		REV	K
APPLICATION	DO NOT SCALE DRAWING			SHEET	1 OF 1

THIS DOCUMENT CONTAINS PROPRIETARY INFORMATION WHICH IS THE PROPERTY OF QSC AUDIO PRODUCTS, THAT MAY NOT BE DISCLOSED, REPRODUCED OR USED WITHOUT EXPRESS WRITTEN CONSENT FROM QSC AUDIO PRODUCTS.

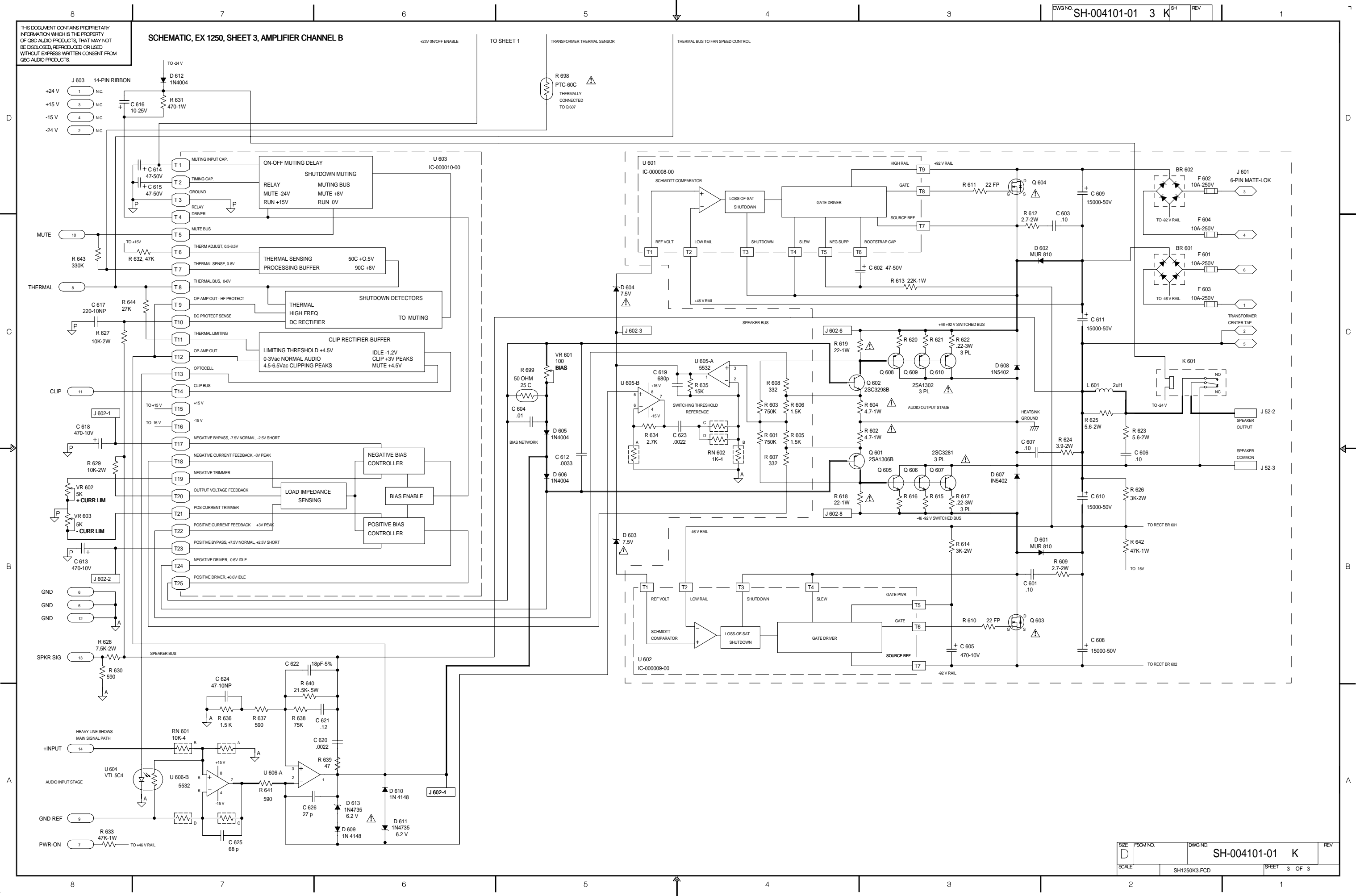
SCHEMATIC, EX-1250, SHEET 2, AMPLIFIER CHANNEL A



+23V ON/OFF ENABLE TO SHEET 1 TRANSFORMER THERMAL SENSOR THERMAL BUS TO FAN SPEED CONTROL

SCHEMATIC, EX 1250, SHEET 3, AMPLIFIER CHANNEL B

THIS DOCUMENT CONTAINS PROPRIETARY INFORMATION WHICH IS THE PROPERTY OF QSC AUDIO PRODUCTS, THAT MAY NOT BE DISCLOSED, REPRODUCED OR USED WITHOUT EXPRESS WRITTEN CONSENT FROM QSC AUDIO PRODUCTS.

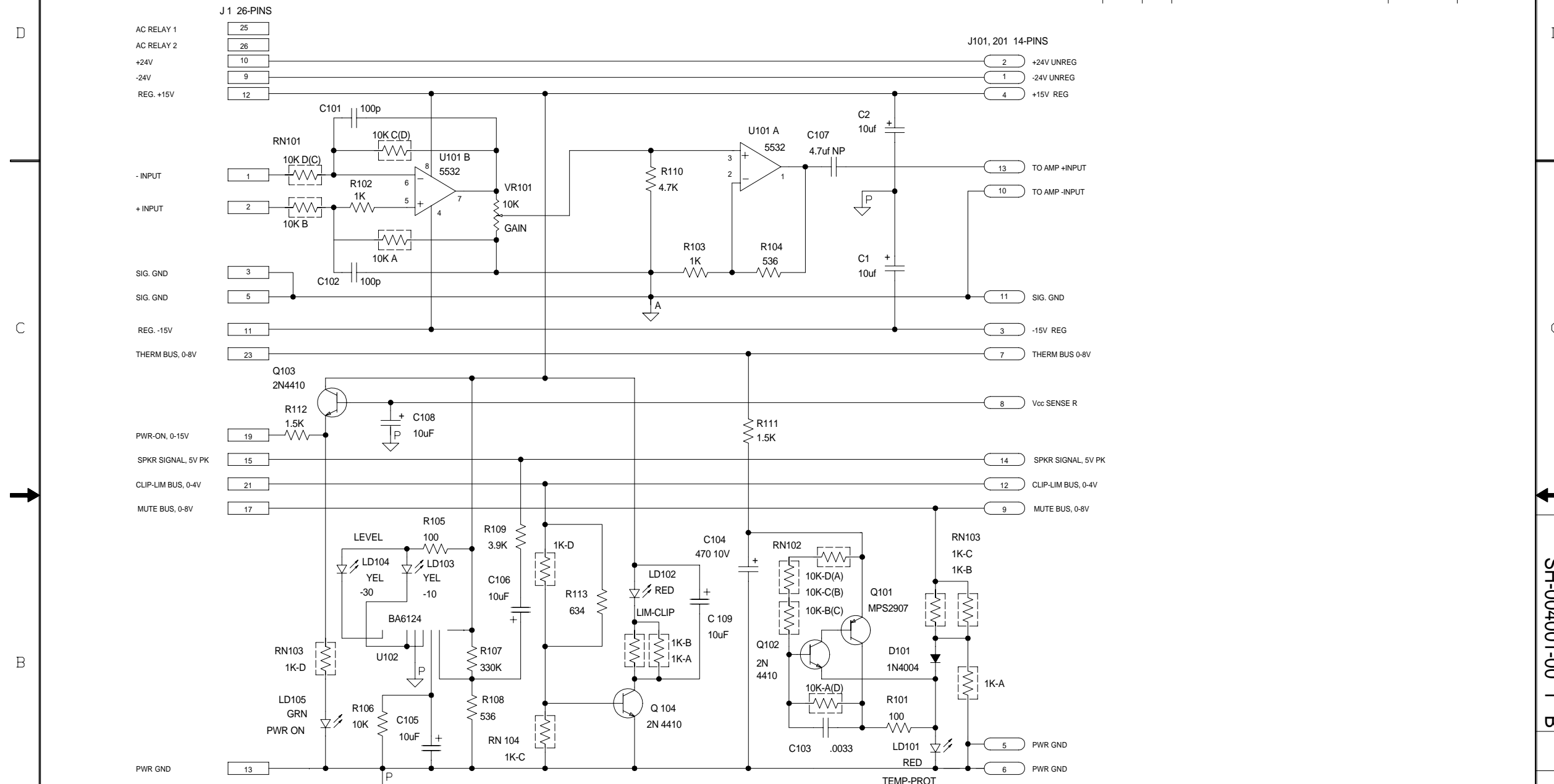


THIS DOCUMENT CONTAINS PROPRIETARY INFORMATION WHICH IS THE PROPERTY OF QSC AUDIO PRODUCTS, THAT MAY NOT BE DISCLOSED, REPRODUCED OR USED WITHOUT EXPRESS WRITTEN CONSENT FROM QSC AUDIO PRODUCTS

SCHEMATIC, EX-SERIES DISPLAY BOARD.

PC-004001-00, REV A.

REVISIONS				
ZONE	REV	DESCRIPTION	DATE	APPROVED
	A	PROD REL PER ECO 756	6-19-90	
	B	REVISED PER ECO 1603 WR	9-29-92	



CH 2 PINS

- INPUT	4
+ INPUT	6
SIG. GND	7
SIG. GND	8
THERM BUS, 0-8V	24
PWR-ON, 0-15V	19
SPKR SIGNAL, 5V PK	16
CLIP-LIM BUS, 0-4V	22
MUTE BUS, 0-8V	18
PWR GND	14

- NOTES
1. ALL RESISTORS 1/4 WATT UNLESS SPECIFIED.
 2. ALL CAPACITORS 25V UNLESS SPECIFIED.
 3. CH 2 RESISTOR NETWORK SECTIONS () WHEN DIFFERENT.
 4. CH 1 COMPONENTS NUMBERED 101-199
 5. CH 2 COMPONENTS NUMBERED 201-299.
 6. PARTS IN COMMON TO BOTH CHANNELS NUMBERED 1-99.
 7. U102, 202 ROHM BA6124 OR SAMSUNG KA2284/85
 8. LD 101, 102, HIGH-EFFICIENCY RED LED.
 9. LD 103, 104, HIGH-EFFICIENCY YELLOW LED.
 10. LD 105, HIGH-EFFICIENCY GREEN LED.

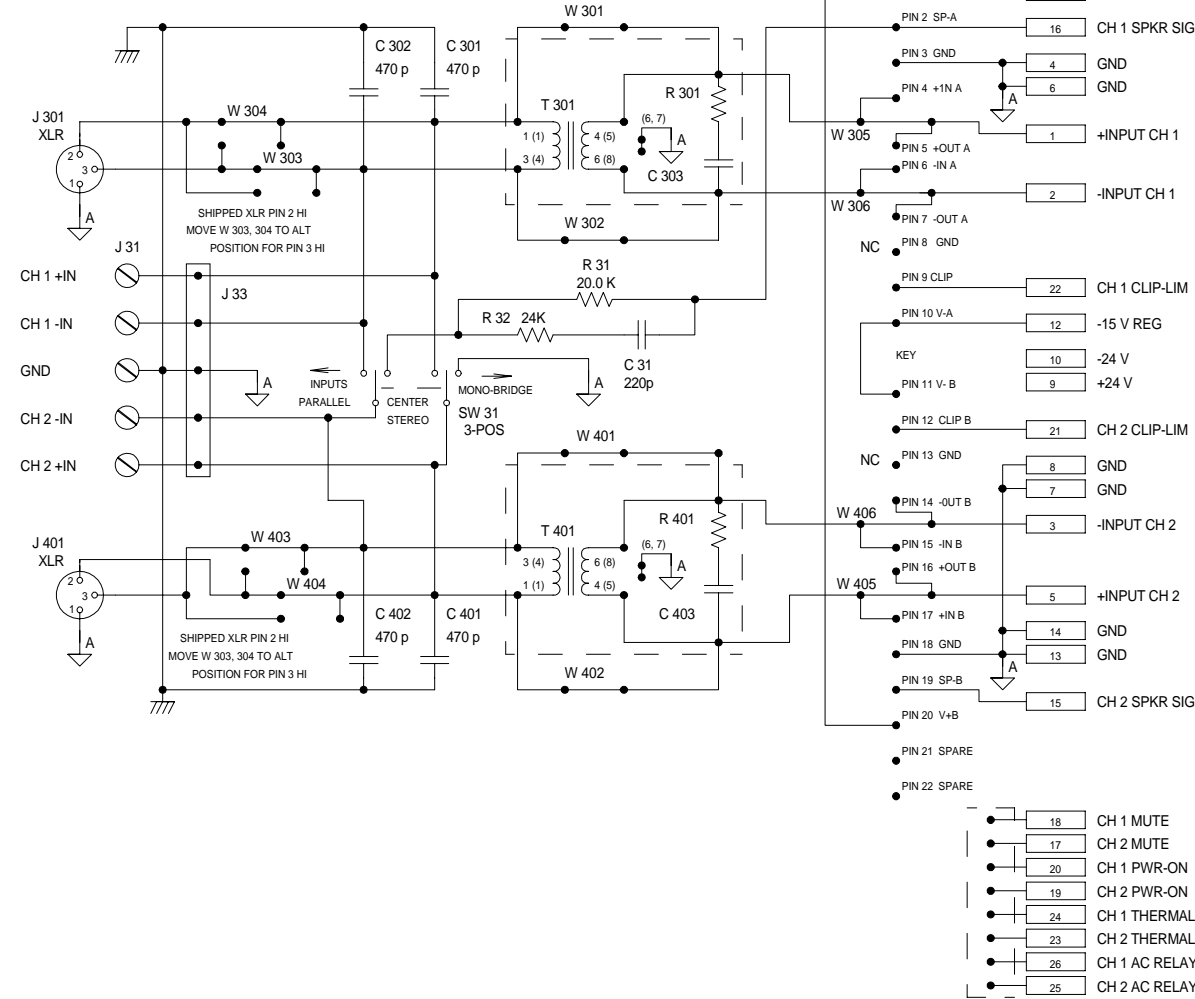
UNLESS OTHERWISE SPECIFIED DIMENSIONS ARE IN INCHES TOLERANCES ARE:		CONTRACT NO.		QSC AUDIO PRODUCTS COSTA MESA, CALIFORNIA	
FRACTIONS	DECIMALS	ANGLES	APPROVALS	DATE	<p>SCHEMATIC DIAGRAM EX-SERIES DISPLAY BOARD</p> <p>SIZE FSCH NO. Dwg NO. REV</p> <p>C SH-004001-00 B</p>
+/-	.XX +/-	+/- 0	DRAWN	PAT QUILTER 6-19-90	
	.XXX +/-		CHECKED		
MATERIAL			ISSUED		
FINISH			FCAD: 004001SH	SCALE	SH4001B1.FDC SHEET 1 OF 1

Dwg No. SH-004001-00 1 B

THIS DOCUMENT CONTAINS PROPRIETARY INFORMATION WHICH IS THE PROPERTY OF QSC AUDIO PRODUCTS THAT MAY NOT BE DISCLOSED, REPRODUCED OR USED WITHOUT EXPRESS WRITTEN CONSENT FROM QSC AUDIO PRODUCTS.

REVISIONS				
ZONE	REV	DESCRIPTION	DATE	APPROVED
	A	PROD REL PER ECO 756		
	B	CHANGE VALUE R31, WAS 21 K SEE ECO 1097	6-10-91	SGM
	C	REVISED FOR MIN-SLOT, BR-SW SEE ECO 1297 BY PHQ	1-24-92	SGM
	D	REVISE PER ECO 1916	6.	

SCHEMATIC, EX-SERIES STANDARD INPUT BOARD.
FOR PC-004005-00 REV B 7-15-93



NOTES, ALL REV LEVELS

1. ALL RESISTORS 1/4W, 5%.
2. ALL CAPACITORS 100V
3. J 32, 26-PIN CONNECTOR, TO J 1 ON FRONT DISPLAY BOARD PC-004001-00.
4. PARTS FOR CH 1 NUMBERED 301-399.
5. PARTS FOR CH 2 NUMBERED 401-499.
6. PARTS IN COMMON TO BOTH CHANNELS NUMBERED 31-49.
7. BOARD SHIPPED WITH W 301-304, W 401-404 MOUNTED AS SHOWN.
8. PARTS WITHIN DOTTED OUTLINE FOR USER MODIFICATION. SEE MANUAL.

NOTES, REV LEVELS A-B

1. THE FIRST YEAR OF PRODUCTION EX AMPLIFIERS SHIPPED WITH PC-004002-00 REV A OR B
2. FOR PC-004005-00 REV A, ADDED PADS 1-20 FOR LEVEL 1-A, 2-A INPUT ACCESSORY PCB
3. ADDED J33, 5-PIN INPUT EXTENDER HEADER AND W305,306,405 & 406.
4. NO CHANGE IN PINOUT OF J32, PINS 1-26
5. SW-31 WAS REVISED ON PC-004005-00 REV A, BUT WILL NOT AFFECT FUNCTION OF UPPER SLOT PCB.

NOTES: UNLESS OTHERWISE SPECIFIED

APPLICATION		PARTS LIST		QSC AUDIO PRODUCTS, INC. COSTA MESA, CALIFORNIA	
PC-004005-00	EX/MPA SERIES	UNLESS OTHERWISE SPECIFIED DIMENSIONS ARE IN INCHES. DIMENSIONS PER ANSI Y14.5-1982 TOLERANCES ARE: DECIMALS .XX ± .XXX ± ANGLES ° DEBURR EDGES .XXX R MAX	CONTRACT NO.	APPROVALS	
NEXT ASSY	USED ON	MATERIAL	DATE	DRAWN	
		FINISH	6-18-90	PAT QUILTER	
			ISSUED	CHECKED	
			CAD SEED FILE NO.	SIZE	
			SH4002C1.FCD	C	
				FSONO.	
				DWG NO.	
				SH-004002-00	
				REV	
				D	
				SCALE	
				NONE	
				CAD FILE NO.	
				SH4002D1.FCD	
				SHEET	
				1 OF 1	