

THIS DOCUMENT CONTAINS PROPRIETARY INFORMATION WHICH IS THE PROPERTY OF QSC AUDIO PRODUCTS, THAT MAY NOT BE DISCLOSED, REPRODUCED OR USED WITHOUT EXPRESS WRITTEN CONSENT FROM QSC AUDIO PRODUCTS.

REVISION				
REV	DESCRIPTION	EFF. DATE	CHK	APPROVED / DATE
A	PRODUCTION RELEASE PER ECO 6959 AA	1-13-06	IO	DD

2. COMPONENTS WITH VALUE PREFIXED WITH A \*\* REPRESENT SMT COMPONENTS.  
 1. THIS DRAWING USED IN CONJUNCTION WITH ASSEMBLY WP-001516-XX.  
 NOTES: UNLESS OTHERWISE SPECIFIED

QTY	ITEM NO.	PART NO.	DESCRIPTION	VENDOR
<b>PARTS LIST</b>				
UNLESS OTHERWISE SPECIFIED DIMENSIONS ARE IN INCHES. DIMENSIONS PER ANSI Y14.5-1982 TOLERANCES ARE: DECIMALS    DECIMALS    ANGLES .xx ±        .xxx ±        0 DEBURR EDGES .XXX R MAX MATERIAL			CONTRACT NO.	<b>QSC AUDIO PRODUCTS, INC.</b> COSTA MESA, CALIFORNIA
FINISH			APPROVALS    DATE	
NEXT ASSY    USED ON			DRAWN PAT QUILTER    6-24-05	<b>SCHEMATIC DIAGRAM</b> <b>HPR151W INPUT BOARD</b>
APPLICATION    DO NOT SCALE DRAWING			CHECKED I. OVERHOLT    X	
			ISSUED D. DELARM    X	
			CAD SEED FILE NO. Wed Jan 11, 2006	SIZE <b>D</b> FSCM NO.    DWG NO. <b>SH-001515-00</b> A
			SCALE NONE    CAD FILE NO. SH1515A1.SCH    SHEET 1 OF 2	REV <b>A</b>

A REV 1 SH-001515-00 DWG NO.

8

7

6

5

4

3

2

1

8

7

6

5

4

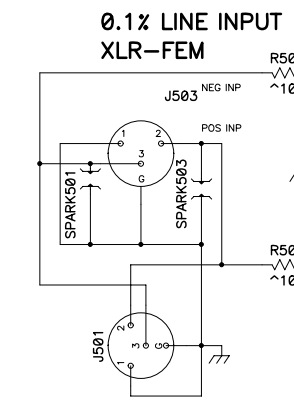
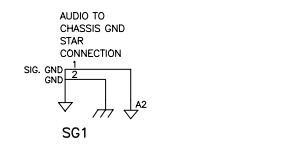
3

2

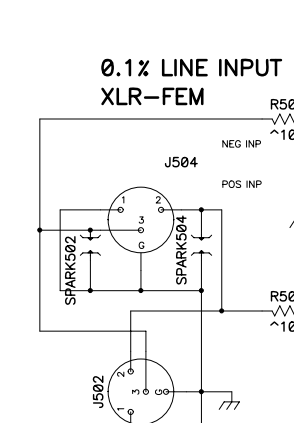
1

F:\DM1\SH\SH0001515

THIS DOCUMENT CONTAINS PROPRIETARY INFORMATION WHICH IS THE PROPERTY OF QSC AUDIO PRODUCTS, THAT MAY NOT BE DISCLOSED, REPRODUCED OR USED WITHOUT EXPRESS WRITTEN CONSENT FROM QSC AUDIO PRODUCTS.

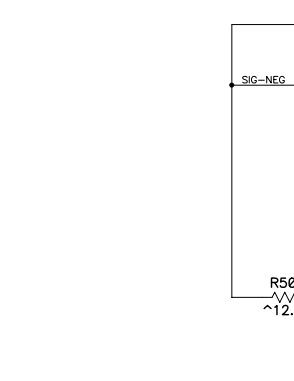


0.1% LINE INPUT XLR-FEM



0.1% LINE INPUT XLR-FEM

LINE OUTPUT, XLR-MALE

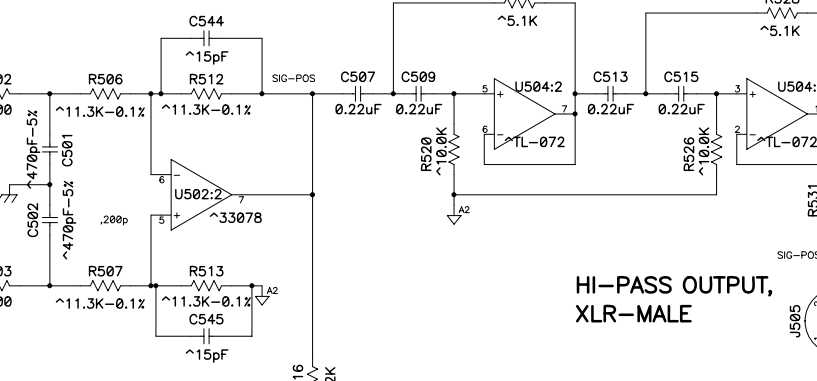


4TH ORDER HP-40Hz

DUAL-4B

LINE OUTPUT, XLR-MALE

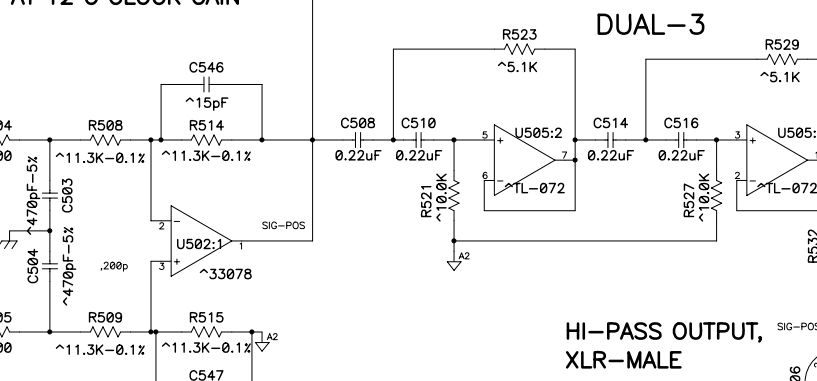
ADD CHASSIS TIE



4TH ORDER HP-100Hz

DUAL-2

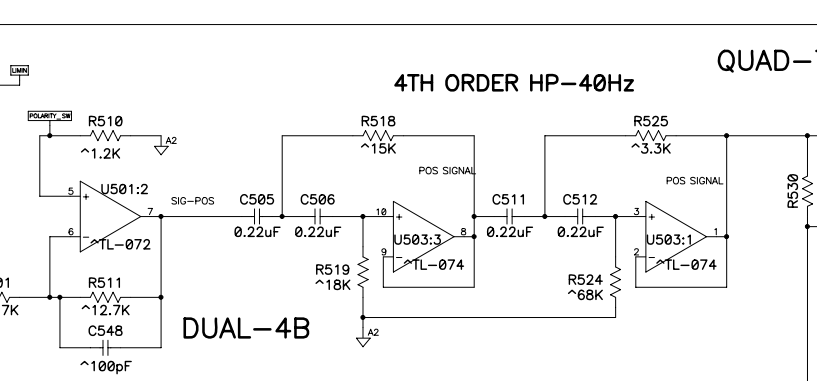
HI-PASS OUTPUT, XLR-MALE



4TH ORDER HP-100Hz

DUAL-3

HI-PASS OUTPUT, XLR-MALE

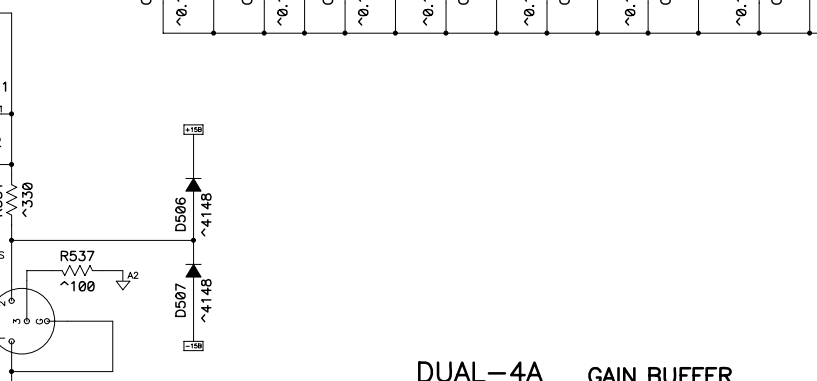


4TH ORDER HP-40Hz

QUAD-7

ATTENUATOR

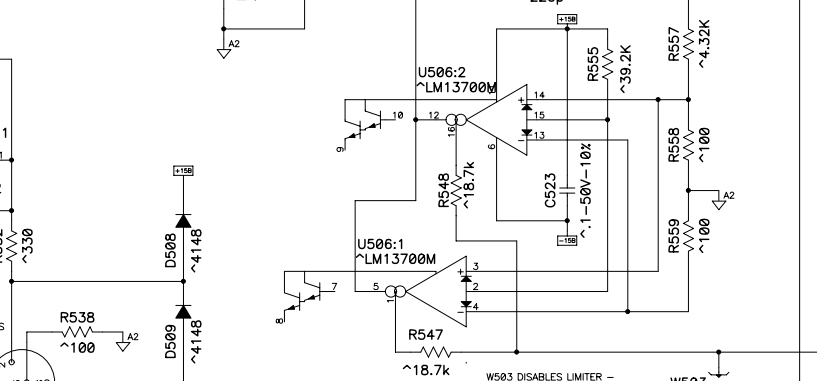
OP-AMP SUPPLIES



OP-AMP SUPPLIES

DUAL-4A

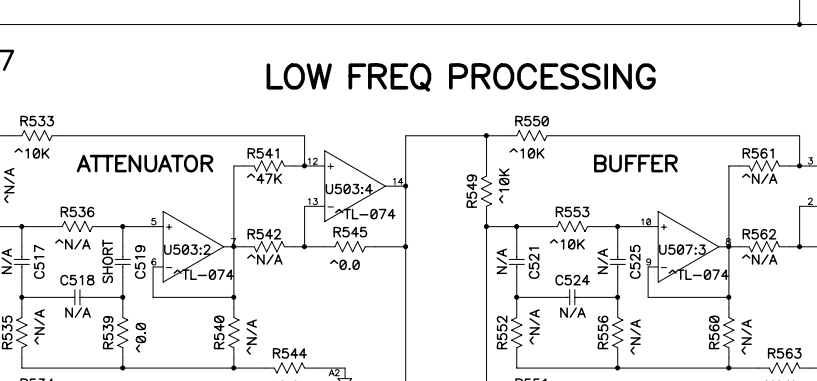
GAIN BUFFER AND LIMITER



DUAL-4A

GAIN BUFFER AND LIMITER

SOLDER SWITCH

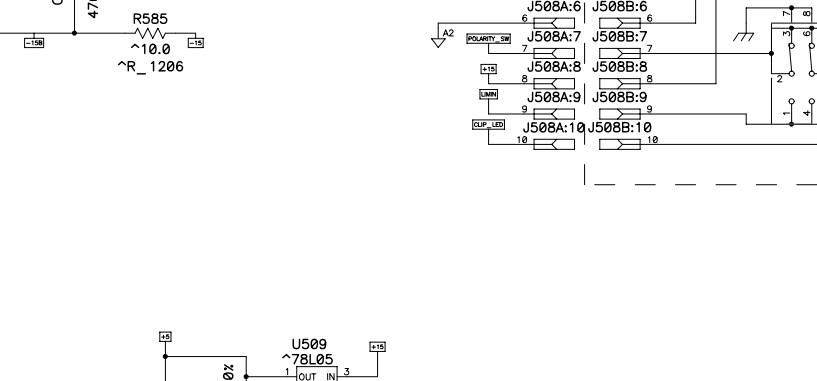


LOW FREQ PROCESSING

QUAD-8

4TH ORDER LP, 100Hz

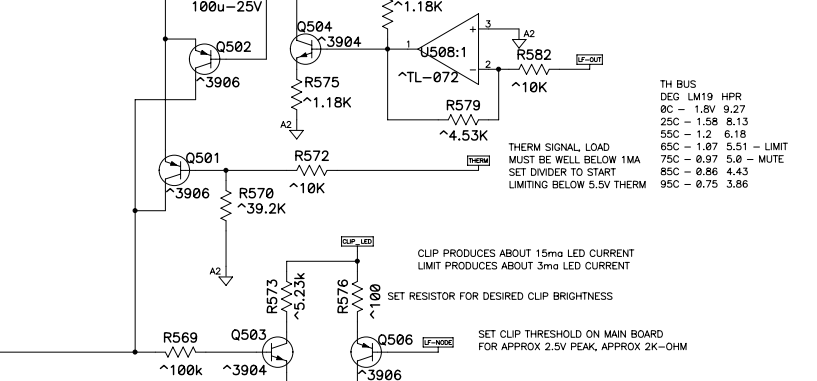
TO FRONT MOUNTED LED (SWITCHABLE)



TO FRONT MOUNTED LED (SWITCHABLE)

SWITCH/LED PCB MOUNTS FROM INPUT PCB

POLARITY SWITCH



POLARITY SWITCH

CLIP-LIM LED

CLIP-LIM LED

CLIP-LIM LED

CLIP-LIM LED

CLIP-LIM LED

CLIP-LIM LED

CLIP-LIM LED

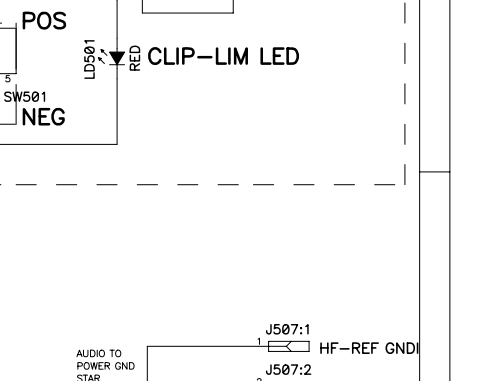
CLIP-LIM LED

CLIP-LIM LED

CLIP-LIM LED

CLIP-LIM LED

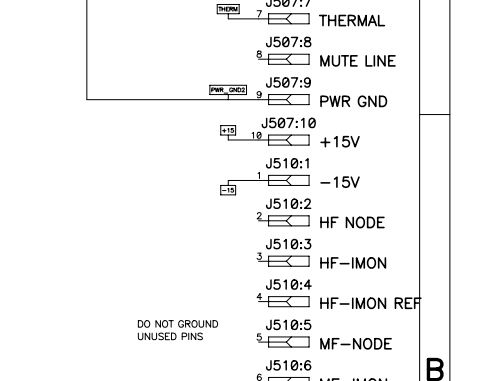
TO FRONT MOUNTED LED (SWITCHABLE)



TO FRONT MOUNTED LED (SWITCHABLE)

SWITCH/LED PCB MOUNTS FROM INPUT PCB

POLARITY SWITCH



POLARITY SWITCH

CLIP-LIM LED

CLIP-LIM LED

CLIP-LIM LED

CLIP-LIM LED

CLIP-LIM LED

CLIP-LIM LED

CLIP-LIM LED

CLIP-LIM LED

CLIP-LIM LED

CLIP-LIM LED

CLIP-LIM LED

DO NOT RENUMBER !! SEQUENCE STARTS, 501

SIZE	FSCM NO.	DWG NO.	REV
D		SH-001515-00	A
SCALE	CAD FILE NO.	SHEET	
NONE	SH1515A1.SCH	2	

SH-001515-00