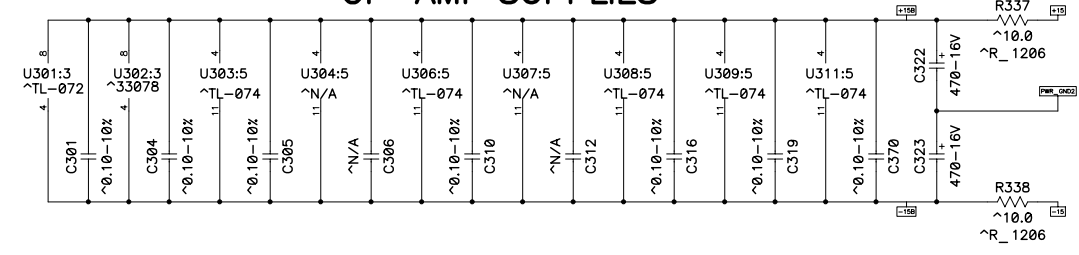
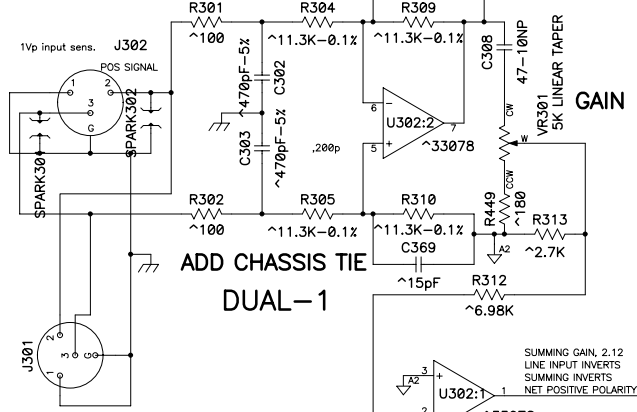


THIS DOCUMENT CONTAINS PROPRIETARY INFORMATION WHICH IS THE PROPERTY OF QSC AUDIO PRODUCTS, THAT MAY NOT BE DISCLOSED, REPRODUCED OR USED WITHOUT EXPRESS WRITTEN CONSENT FROM QSC AUDIO PRODUCTS.

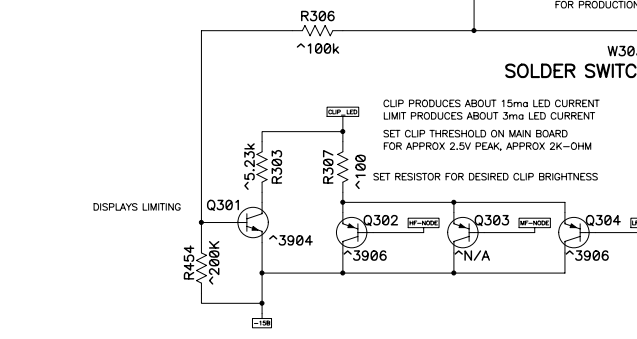
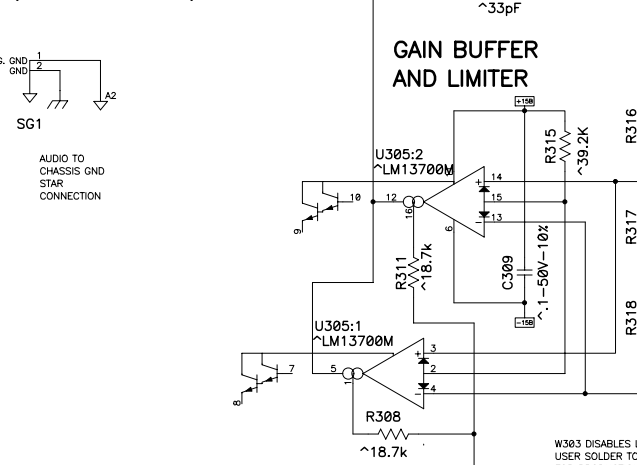
### OP-AMP SUPPLIES



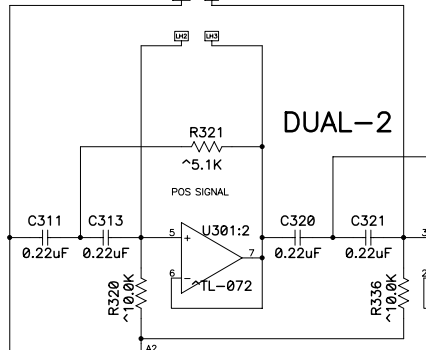
HIGH PERFORMANCE BALANCED INPUT  
0.775V (+0dBu, 1Vp) FOR  
FULL POWER OUTPUT AT MAX GAIN  
0.1% LINE INPUT  
XLR-FEM



LINE OUTPUT  
XLR-MALE  
(USE VERT TYPE)

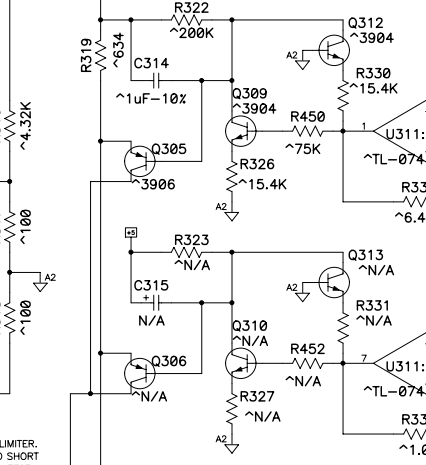


### SWITCHABLE 4TH ORDER HP-100Hz UP=BYPASSED

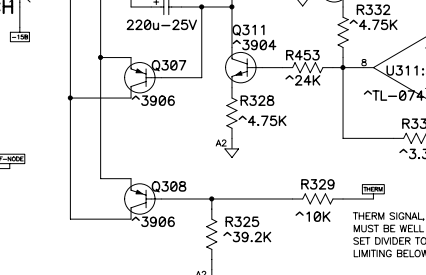


DESIRED LIMITER ATTACK/RELEASE TIMES  
3-WAY  
\*LF ATTACK - 2.76S, RELEASE - 4.76S  
\*MF ATTACK - 232ms, RELEASE - 521ms  
\*HF ATTACK - 22ms, RELEASE - 32ms  
2-WAY  
\*LF ATTACK - 3S, RELEASE - 4.7S  
\*HF ATTACK - 21ms, RELEASE 32ms  
1% SUB  
\*ATTACK - 300ms, RELEASE - 475ms  
18% SUB  
\*ATTACK - 300ms, RELEASE - 560ms

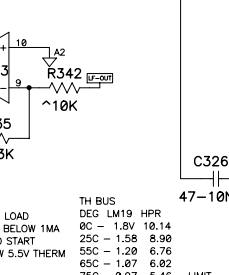
### LIMITER CONTROL PROCESSING



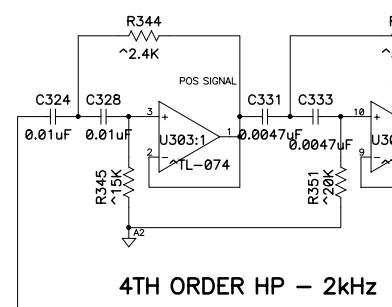
### TO FRONT MOUNTED LED (SWITCHABLE)



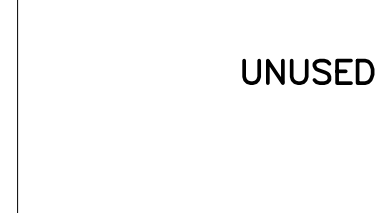
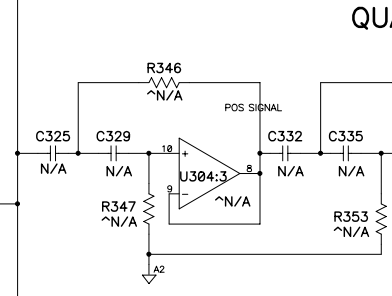
### QUAD-9



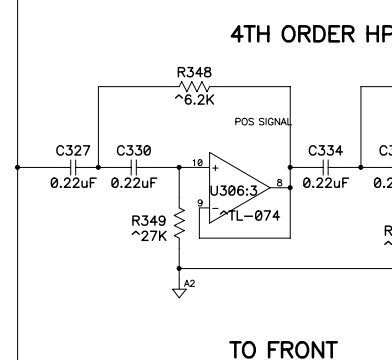
TH BUS  
DEG LM19 HPR  
0C - 1.8V 18.14  
25C - 1.58 8.90  
55C - 1.20 6.76  
65C - 1.07 6.02  
75C - 0.97 5.46 - LIMIT  
83C - 0.88 5.00 - MUTE  
85C - 0.86 4.84  
95C - 0.75 4.22



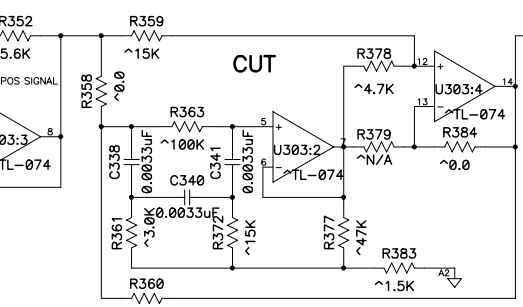
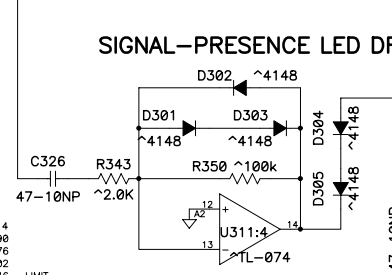
### 4TH ORDER HP - 2kHz



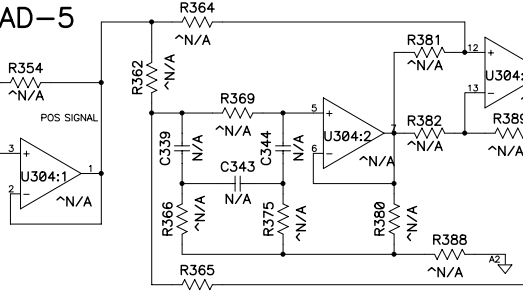
### LOW FREQ PROCESSING QUAD-7



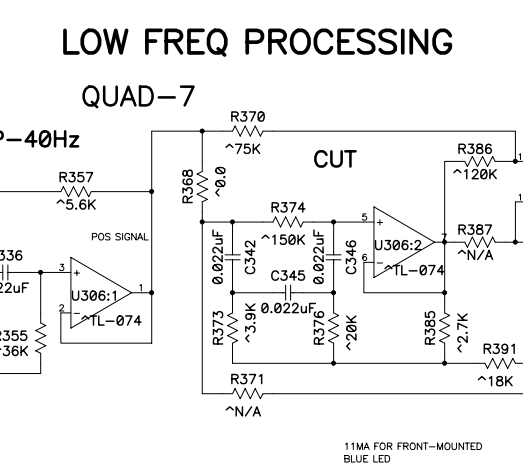
### QUAD-9



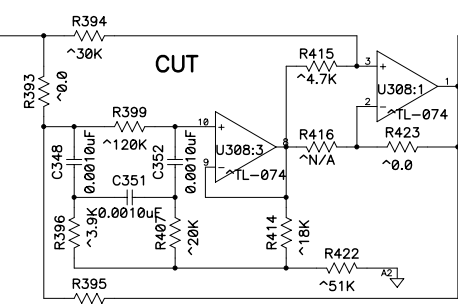
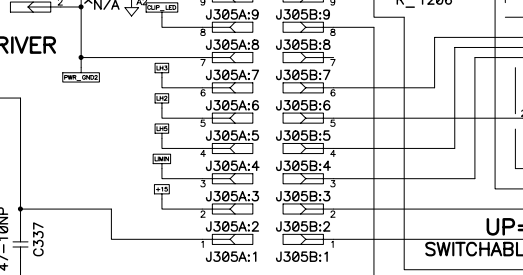
### HIGH FREQ PROCESSING QUAD-3



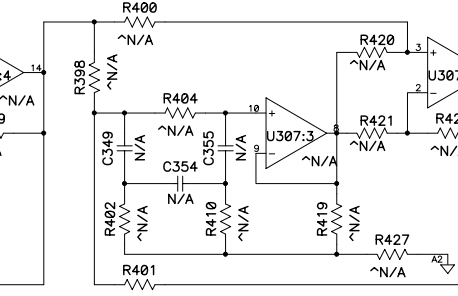
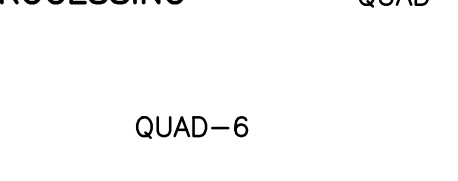
### LOW FREQ PROCESSING QUAD-7



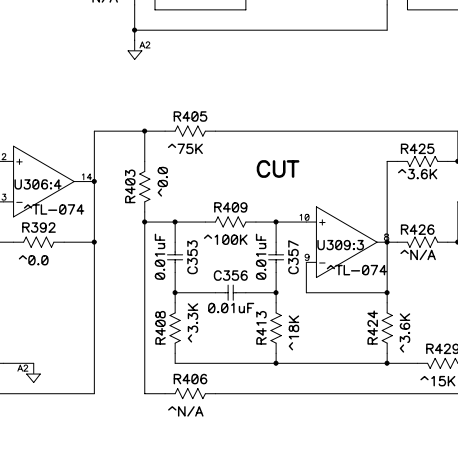
### QUAD-9



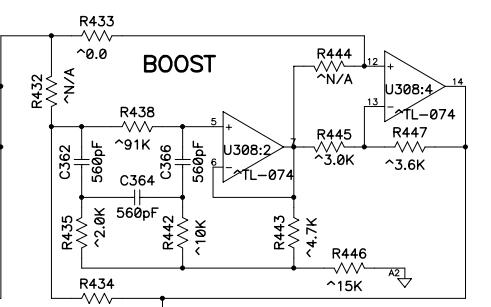
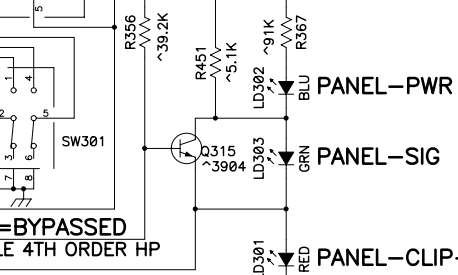
### HIGH FREQ PROCESSING QUAD-4



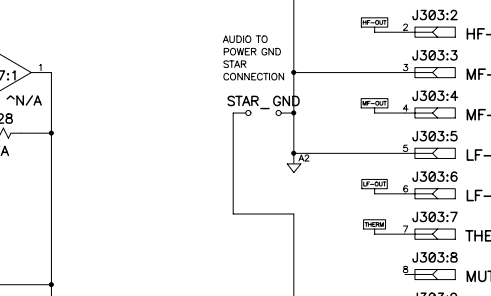
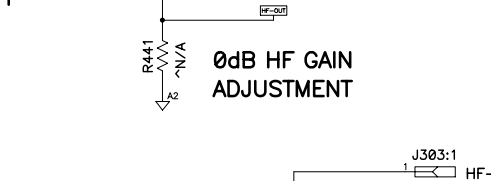
### LOW FREQ PROCESSING QUAD-8



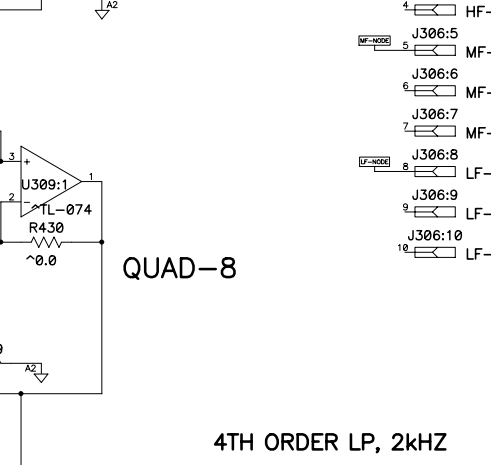
### QUAD-9



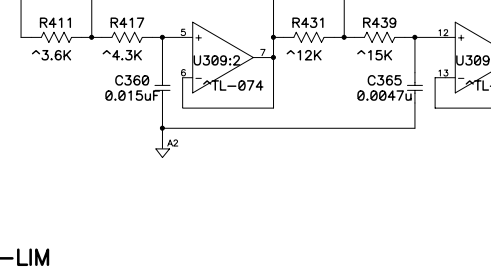
### BOOST QUAD-4



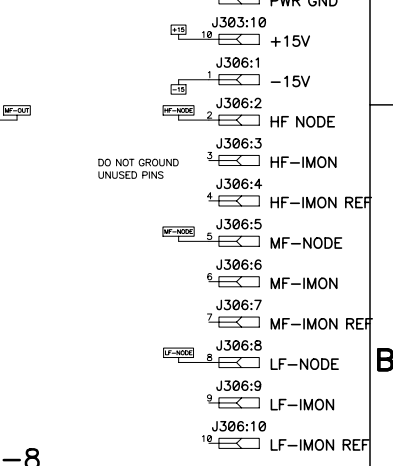
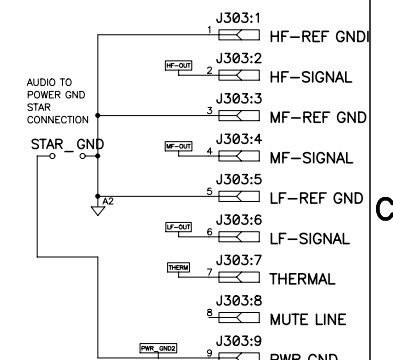
### LOW FREQ PROCESSING QUAD-8



### QUAD-9

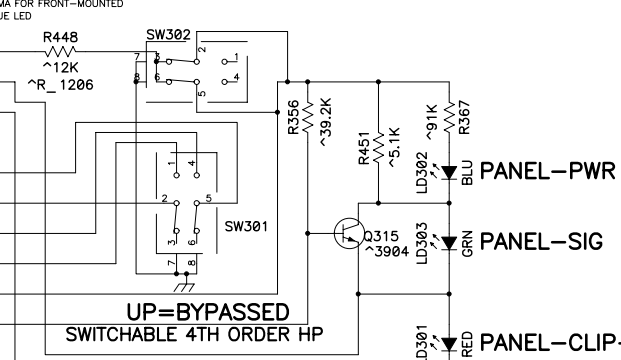
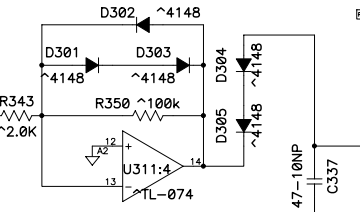
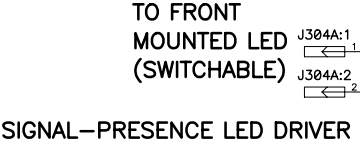
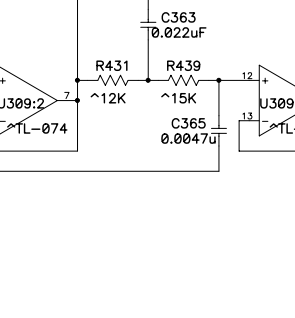


0dB HF GAIN  
ADJUSTMENT



DO NOT GROUND  
UNUSED PINS

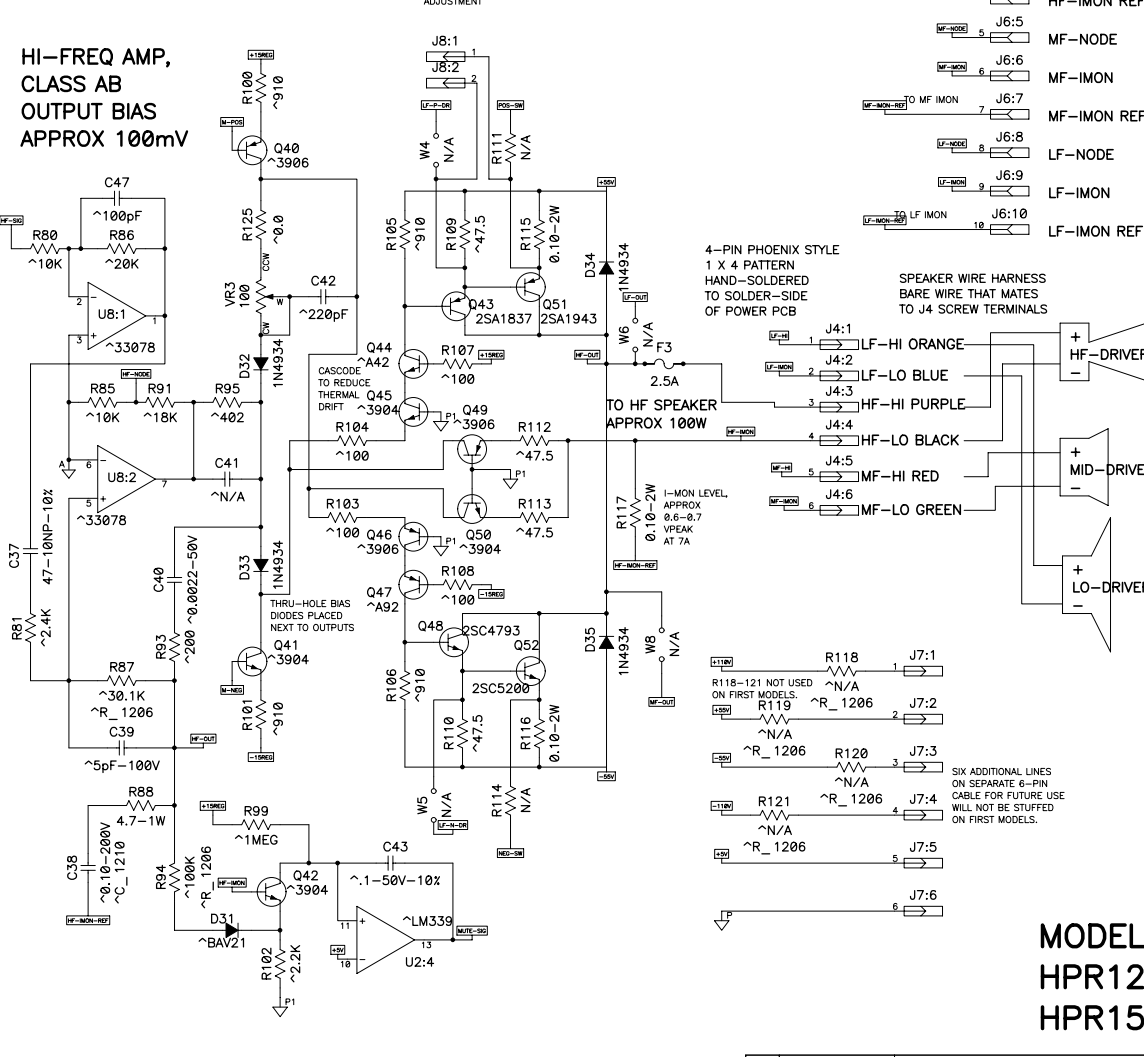
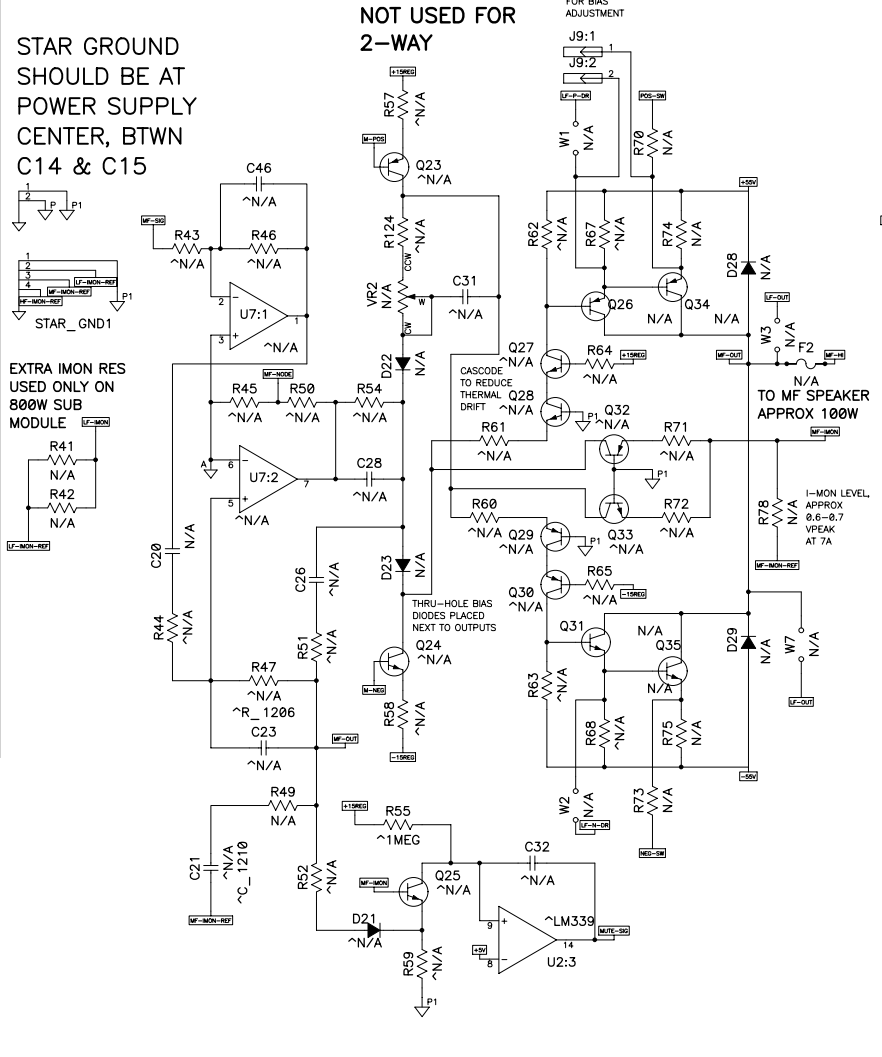
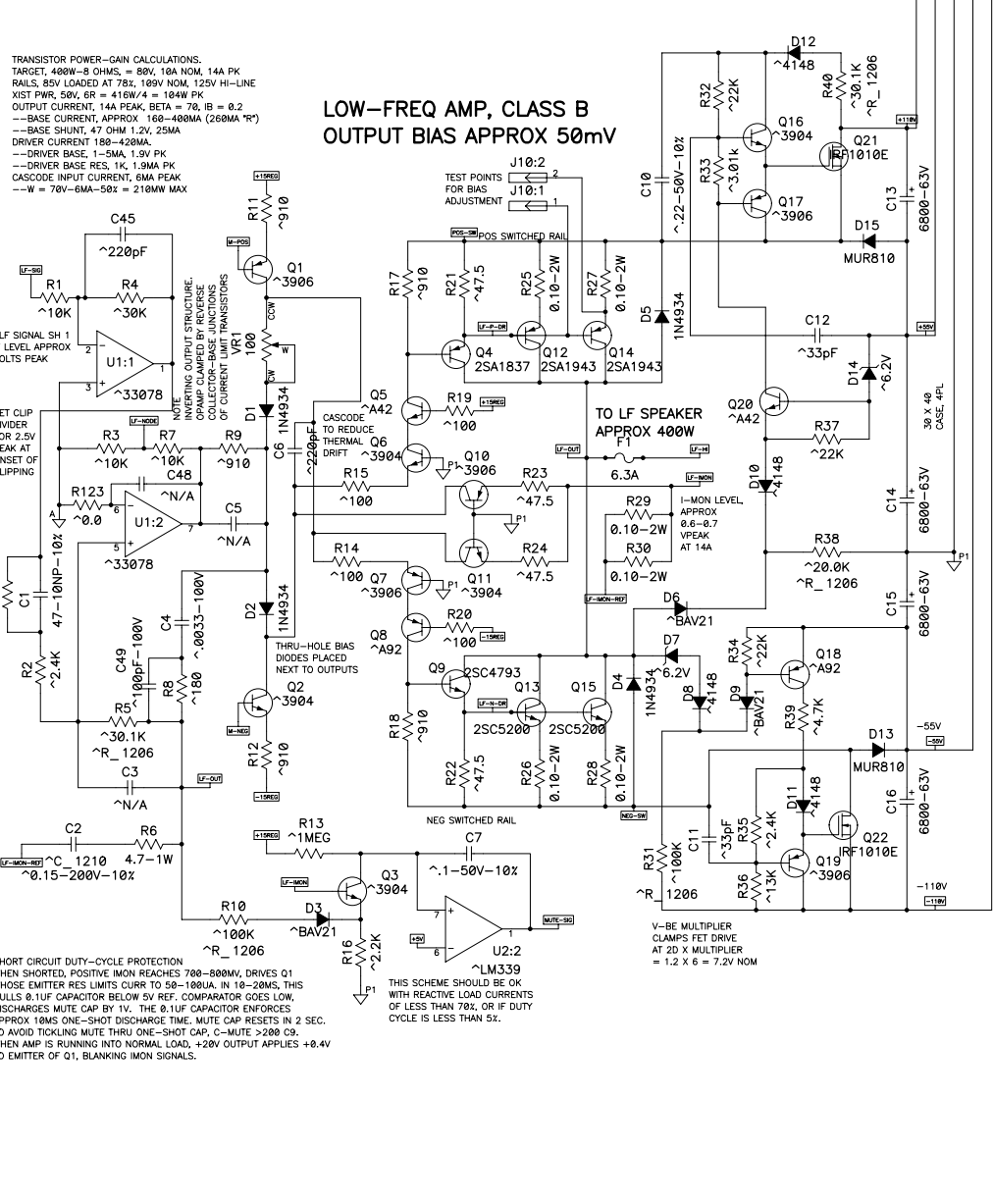
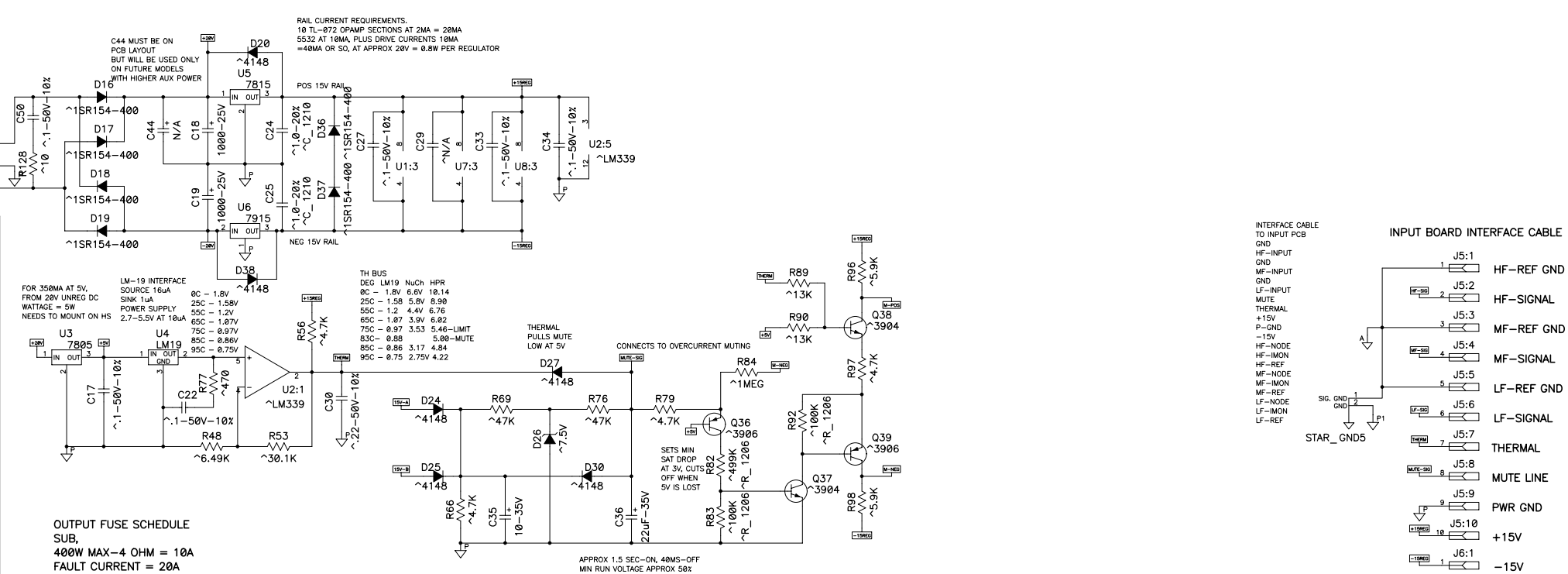
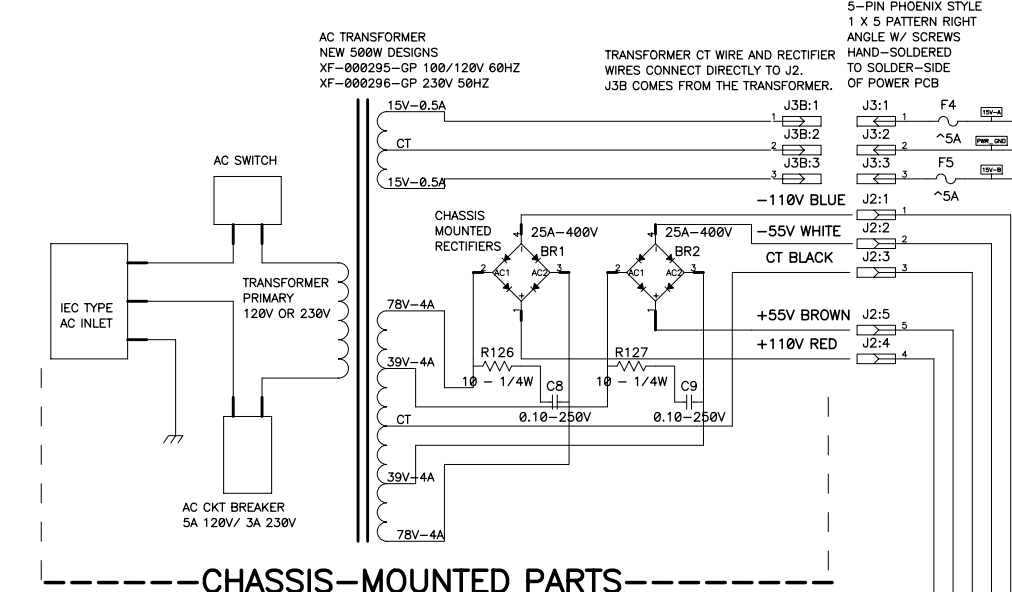
### 4TH ORDER LP, 2kHz



DO NOT RENUMBER !! STARTS 301

SIZE	FSCM NO.	DWG NO.	REV
D		SH-152002-00	A
SCALE	CAD FILE NO.	SHEET	1

THIS DOCUMENT CONTAINS PROPRIETARY INFORMATION WHICH IS THE PROPERTY OF QSC AUDIO PRODUCTS. THAT MAY NOT BE DISCLOSED, REPRODUCED OR USED WITHOUT EXPRESS WRITTEN CONSENT FROM QSC AUDIO PRODUCTS.



NOTES: UNLESS OTHERWISE SPECIFIED

SIZE	FSCM NO.	DWG NO.	REV
D		SH-122001-00	A
SCALE	CAD FILE NO.	SHEET	2

MODELS:  
HPR122i  
HPR152i

Part Number	Description	Qty	Ref Des
CA-005001-GP	5P, +0.25P, 100V, CTC, 0805, 0/30	1	C39
CA-015005-GP	15PF, 5 PCNT, 50V, CERAMIC, 0805,	2	C368, C369
CA-033003-GP	33PF, 5%, 50V, CC, 0805, 1.2X	3	C11, C12, C307
CA-110005-GP	CC 50V 100PF 5% 0805 1.2	1	C47
CA-110007-GP	100P, 5%, 100V, CTC, 0805, 0/30	1	C49
CA-122005-GP	CC 50V 220PF 5% 0805	3	C42, C45, C6
CA-147006-GP	470PF 5% 50V CER NPO	2	C302, C303
CA-156002-GP	560P, 5%, 50V, CM, , RLT P5.0	3	C362, C364, C366
CA-210016-GP	0.001U, 5%, 63V, CM, , RBT 7.5	3	C348, C351, C352
CA-222015-GP	2200P, 5%, 50V, CTC, 0805, 0/30	1	C40
CA-233009-GP	3300P, 5%, 100V, CTC, 1206, 0/30	1	C4
CA-233010-GP	3300P, 5%, 63V, CM, , RBT, 7.5X	3	C338, C340, C341
CA-247005-GP	.0047UF, 5 PCNT, 50V, FILM, DIPPED,	3	C331, C333, C365
CA-310010-GP	0.01U, 5%, 63V, CM, , RBT 7.5X	5	C324, C328, C353, C356, C357
CA-315001-GP	0.015U, 5%, 63V, CM, , RBT	1	C360
CA-322011-GP	0.022U, 5%, 63V, CM, , RBT	5	C342, C345, C346, C358, C363
CA-410014-GP	0.1UF 10% 50V CER X7R 0805	17	C17, C22, C27, C301, C304, C305, C309, C310, C316, C317, C319, C33, C34, C370, C43, C50, C7
CA-410018-GP	CM 250V .1UF 5% RL	2	C8, C9
CA-410024-GP	CC 200V 0.1U 5% 1210	1	C38
CA-415006-GP	.15UF, 5 PCNT, 200V, CC, 1210,	1	C2
CA-422010-GP	0.22U, 10%, 50V, CC, 0805,	2	C10, C30
CA-422011-GP	0.22U, 5%, 63V, CM, , RBT, 7.5X	8	C311, C313, C320, C321, C327, C330, C334, C336
CA-510016-GP	1U, 10%, 25V, CC, 0805,	1	C314
CA-510017-GP	1UF, 20 PCNT, 50V, CC, SMT, 1210	2	C24, C25
CA-610009-GP	CE 35V 10UF 20% RL 5 X 11	1	C35
CA-622010-GP	22UF, 20%, 35V, CE, , RLT, 5x11	1	C36
CA-647006-GP	CE 16NP 47UF 20% RL	5	C1, C308, C326, C337, C37
CA-722007-GP	220UF, 20 PCNT, 25V, CE, RL,	1	C318
CA-747009-GP	470UF, 20%, 16V, CE, , RLT	2	C322, C323
CA-810007-GP	1000UF, 20%, 25V, CE, , RLT	2	C18, C19
CA-868002-GP	6800UF, 20 PCNT, 63V, CE, RL,	4	C13, C14, C15, C16
CH-000173-GP	COVER, XFMR, STEEL, LARGE	1	
CH-000489-GP	PLATE-SPRING STEEL, , , ,	4	
CH-000490-GP	HEATSINK, 381X189.2X38.1, , HPR,	1	
CH-000546-GP	PANEL, INPUT, , HPR152i,	1	
CH-000550-GP	PANEL, AC, , HPRI,	1	
CO-000058-GP	XLR, CONNECTOR, 3PM, , ,	1	J301
CO-000204-GP	CONN XLR F VERT PLASTIC	1	J302
CO-000211-GP	AC INLET 250V 15A	1	
CO-000213-GP	CONN 2 PIN STRAIGHT WAFER	1	J304A
CO-000214-GP	CONN 3 PIN STRAIGHT WAFER	1	J3
CO-000347-GP	TERMINAL BLOCK, 5MM, 5POS(1X5), FEMALE, RIGHT ANGLE	1	J2
CO-000349-GP	WIRE HOLDER, RIBBON CABLE, 10 POS, FEMALE,	3	J303, J305B, J306
CO-000350-GP	WIRE TRAP, RIBBON CABLE, 10 POS, FEMALE, RELEASEABLE	3	J305A, J5, J6
CO-000351-GP	TERMINAL BLACK, 5MM, 4POS(1X4), FEMALE, RIGHT	1	J4
HW-000075-GP	FUSE HOLDER, , , , ,	2	F1, F3
HW-000102-GP	BRASS POST, D6X10, , , ,	3	
IC-000075-GP	IC VOLTAGE REG, +5, LM78L05, SMT,	1	U310
IC-000076-GP	IC LM339, SMD COMPARATORS, , ,	1	U2
IC-000077-GP	IC LM13700M, , , SMT,	1	U305
IC-000078-GP	IC LM19, THERMAL SENSOR, , TO-92,	1	U4
IC-000079-GP	IC MC33078, OP-AMP, , SMT,	3	U1, U302, U8
IC-000377-GP	IC 7805, REGULATOR, 5V, ,	1	U3
IC-000378-GP	IC LM7915CT, REGULATOR, -15V, ,	1	U6
IC-000379-GP	IC LM7815CT, REGULATOR, 15V, ,	1	U5
IC-000380-GP	IC TL072, OPAMP, DUAL, SO-8,	1	U301
IC-000381-GP	IC TL074CD-SO14, OPAMP, QUAD, SO-14,	5	U303, U306, U308, U309, U311
LB-000627-GP	LABEL, WARNING, TOP BOX, HPRi,	1	
MS-000070-GP	2.5A, FAST ACT 5X20, , ,	1	F3
MS-000073-GP	FUSE, FAST, ACTING 5A, SMT, 1206,	2	F4, F5
MS-000292-GP	FUSE, 6.3A, 5 X 20MM, FAST,	1	F1
NW-000070-GP	M3, NUT, , , ,	3	
NW-000072-GP	NUT, HEX, M4, ,	1	
NW-040002-GP	SPRING WASHER M4 X 7	1	
NW-040003-GP	I/T WASHER M4X0.4X8, YZ	1	
PC-122001-00	PCB, MAIN, HPR122i, , ,	1	
PC-122002-00	PCB, INPUT, HPR151i, , ,	1	
PL-000066-GP	EVA GASKET, 5X500, , , ,	3	
PL-000152-GP	CABLE TIE, ISA	4	
PL-000327-GP	PAD, XFMR, EPDM 40A, 1/8" THK, BLACK,	2	
PL-000391-GP	KNOB, GAIN, HPR SERIES, , ,	1	
PL-000454-GP	INSULATION SHEET IC, , , SILPAD 800, ,	4	
PL-000455-GP	LED HOLDER, LED3-11, , , ,	3	LD301-1, LD302-1, LD303-1
PL-000456-GP	SPRINGSEAT, TRANSISTOR, HPR, NYLON, ,	4	
PL-000457-GP	SPACER, L=4.0, ELM 3, , ,	1	U4

WP-152001-00 120V Rev. A

Part Number	Description	Qty	Ref Des
PL-000458-GP	SPONGE CUSHION, , , ,	2	
PT-110002-GP	TRIM, 100, 20 PCNT, 0.15W, ,	2	VR1, VR3
PT-250003-GP	VR 5K, XVB12111YNPVB25F, , , ,	1	VR301
QD-000201-GP	DIODE LL4148 SM	15	D10, D11, D12, D20, D24, D25, D27, D30, D301, D302, D303, D304, D305, D38, D8
QD-000204-GP	XISTOR NPN 60V 200MA 3904 SOT-23	17	Q11, Q16, Q2, Q3, Q301, Q309, Q311, Q312, Q314, Q315, Q37, Q38, Q41, Q42, Q45, Q50, Q6
QD-000205-GP	XISTOR PNP 40V 0.2A TR3906 SOT-23	15	Q1, Q10, Q17, Q19, Q302, Q304, Q305, Q307, Q308, Q36, Q39, Q40, Q46, Q49, Q7
QD-000206-GP	DIOD RECT FAST, IN4934 AT	8	D1, D2, D32, D33, D34, D35, D4, D5
QD-000208-GP	XISTOR PNP 230V 15A 2SA1943	3	Q12, Q14, Q51
QD-000209-GP	XISTOR NPN 230V 15A 2SC5200	3	Q13, Q15, Q52
QD-000227-GP	BRIDGE RECT 400V 25A	2	BR1, BR2
QD-000260-GP	MOSFET, N-CH, 60V, 52A, 52N06V	2	Q21, Q22
QD-000300-GP	LED SC, 2.9 X 5.4 XL 0.5 BL, , , , ,	1	LD302
QD-000301-GP	LED, 3MM, GREEN SP, , , ,	1	LD303
QD-000302-GP	LED SP, 2.9 X 5.4 XL 0.5 RED, , , , ,	1	LD301
QD-000303-GP	DIODE, BAV21WS 250V, , , , ,	4	D3, D31, D6, D9
QD-000304-GP	DIODE, MUR810 RL 8A, , , , ,	2	D13, D15
QD-000305-GP	DZ 1/2W, 6.2VB RLZ6.2B, , , , SMT,	2	D14, D7
QD-000306-GP	DZ 1/2W, 7.5VB RLZ7.5B LL, , , , SMT,	1	D26
QD-000307-GP	SMD DIODE, ISR154-400, , , , ,	6	D16, D17, D18, D19, D36, D37
QD-000308-GP	TR MMBTA42 NPN SMD, , , , , SOT-23,	3	Q20, Q44, Q5
QD-000309-GP	TR 2SA1837, 100-320 RL, , , , ,	2	Q4, Q43
QD-000310-GP	TR 2SC4793, 100-320-RL, , , , ,	2	Q48, Q9
QD-000311-GP	TR MMBTA92 SOT 23 KEC, , , , ,	3	Q18, Q47, Q8
RE-.01002-GP	0.1R, 5 PCNT, 2W, RMF, ATS METAL,	9	R115, R116, R117, R25, R26, R27, R28, R29, R30
RE-47006-GP	RMF, 1W, 4R7, 5%, AT,	2	R6, R88
RE-000003-GP	RMG 1/10W 0 OHM 5% 0805	13	R123, R125, R358, R368, R384, R392, R393, R403, R423, R430, R433, R434, R440
RE-001009-GP	10 1% 1/8W THK FLM 1206	2	R337, R338
RE-001012-GP	10OHM, 1/4W, 1%, AT, RMF,	2	R126, R127
RE-001013-GP	10, 1 PCNT, 1/10W, THICK FILM, 0805,	1	R128
RE-004753-GP	RMG 1/10W 47.5 OHM 1% 0805	8	R109, R110, R112, R113, R21, R22, R23, R24
RE-010011-GP	100 1% 1/10W THK FLM 0805 100V	13	R103, R104, R107, R108, R14, R15, R19, R20, R301, R302, R307, R317, R318
RE-018001-GP	180R, 1 PCNT, 1/10W, RMG, 0805,	2	R449, R8
RE-020003-GP	200 1% 1/10W THK FLM 0805 100V	1	R93
RE-040200-GP	402R, 1 PCNT, 1/10W, RMG, 0805,	1	R95
RE-047012-GP	470, 1 PCNT, 1/10W, THICK FILM, 0805,	1	R77
RE-063405-GP	634 OHMS 1% 1/10W 0805	1	R319
RE-091002-GP	910R, 1 PCNT, 1/10W, RMG, 0805,	9	R100, R101, R105, R106, R11, R12, R17, R18, R9
RE-110013-GP	RMG 1/10W 1K 1% 0805	1	R334
RE-115008-GP	1.5K, 1 PCNT, 1/10W, THK FLM, 0805, 100V	1	R383
RE-120004-GP	RMG 1/10W 2K 1% 0805	2	R343, R435
RE-122010-GP	2.2K 1% 1/10W THK FM 0805 100V	2	R102, R16
RE-124001-GP	2.4K, 1 PCNT, 1/10W, RMG, 0805,	4	R2, R344, R35, R81
RE-127001-GP	2.7K, 1 PCNT, 1/10W, RMG, 0805,	2	R313, R385
RE-130006-GP	3K, 1 PCNT, 1/10W, THICK FILM, 0805,	2	R361, R445
RE-130103-GP	RMG 1/10W 3.01K 1% 0805	1	R33
RE-133008-GP	3.3K, 1 PCNT, 1/10W, THICK FILM, 0805,	2	R335, R408
RE-136003-GP	3.6K, 1 PCNT, 1/10W, RMG, 0805,	4	R411, R424, R425, R447
RE-139006-GP	3.9K, 1 PCNT, 1/10W, THICK FILM, 0805,	2	R373, R396
RE-143001-GP	4.3K, 1 PCNT, 1/10W, RMG, 0805,	1	R417
RE-143202-GP	4.32K, 1 PCNT, 1/10W, RMG, 0805,	1	R316
RE-147002-GP	4.7K 1% 1/10W THK FLM 0805	8	R378, R39, R415, R443, R56, R66, R79, R97
RE-147506-GP	4.75K, 1 PCNT, 1/10W, THICK FILM, 0805,	2	R328, R332
RE-151006-GP	5.1K, 1 PCNT, 1/10W, THICK FILM, 0805,	3	R321, R339, R451
RE-152302-GP	5.23K, 1 PCNT, 1/10W, THICK FILM, 0805,	1	R303
RE-156004-GP	5.6K, 1 PCNT, 1/10W, THICK FILM, 0805,	2	R352, R357
RE-159003-GP	5.9K 1% 1/10W THK FLM 0805	2	R96, R98
RE-162001-GP	6.2K, 1 PCNT, 1/10W, RMG, 0805,	1	R348
RE-164901-GP	6.49K, 1 PCNT, 1/10W, RMG, 0805,	2	R333, R48
RE-169802-GP	6.98K, 1 PCNT, 1/10W, THK FLM, 0805, 100V	1	R312
RE-191001-GP	9.1K, 1 PCNT, 1/10W, RMG, 0805,	1	R340
RE-210007-GP	10K 1% 1/10W THK FLM 0805	11	R1, R122, R3, R320, R329, R336, R342, R442, R7, R80, R85
RE-211305-GP	11.3K .1% 1/10W RMG 0805	4	R304, R305, R309, R310
RE-212003-GP	12K 1% 1/10W THK FLM 0805 100V	1	R431
RE-212004-GP	12K, 1 PCNT, 1/8W, THICK FILM, 1206,	1	R448
RE-213005-GP	13K, 1 PCNT, 1/10W, RMG, 0805,	3	R36, R89, R90
RE-215003-GP	15K, 1 PCNT, 1/10W, RMG, 0805,	7	R314, R345, R359, R372, R429, R439, R446
RE-215402-GP	15.4K, 1 PCNT, 1/10W, RMG, 0805,	2	R326, R330
RE-218006-GP	18K, 1 PCNT, 1/10W, THICK FILM, 0805,	4	R391, R413, R414, R91
RE-218702-GP	18.7K, 1 PCNT, 1/10W, THICK FILM, 0805,	2	R308, R311
RE-220005-GP	RMG 1/10W 20K 1% 0805	4	R351, R376, R407, R86
RE-220006-GP	20K, 1 PCNT, 1/10W, THICK FILM, 1206,	1	R38
RE-222001-GP	22K 1% 1/10W 0805	3	R32, R34, R37
RE-224001-GP	24.0K 1% 1/10W THK FLM 0805	1	R453
RE-227001-GP	27K 1% 1/10W 0805	1	R349
RE-230006-GP	30K, 1 PCNT, 1/10W, THICK FILM, 0805,	2	R394, R4

Part Number	Description	Qty	Ref Des
RE-230104-GP	30.1K 1% 1/8W RMG 1206	3	R40, R5, R87
RE-230105-GP	30.1K, 1 PCNT, 1/10W, THICK FILM, 0805,	1	R53
RE-236001-GP	36K, 1 PCNT, 1/10W, RMG, 0805,	1	R355
RE-239204-GP	39.2K, 1 PCNT, 1/10W, THICK FILM, 0805,	3	R315, R325, R356
RE-247006-GP	47K 1% 1/10W THK FLM 0805 100V	3	R377, R69, R76
RE-251001-GP	51K, 1 PCNT, 1/10W, RMG, 0805,	1	R422
RE-275005-GP	75K, 1 PCNT, 1/10W, RMG, ,	3	R370, R405, R450
RE-291001-GP	91K, 1 PCNT, 1/10W, RMG, 0805,	2	R367, R438
RE-310007-GP	100K 1% 1/10W THK FLM 0805	4	R306, R350, R363, R409
RE-310008-GP	100K 1% 1/8W THK FLM 1206	5	R10, R31, R83, R92, R94
RE-312006-GP	120K 1% 1/10W RMG 0805	2	R386, R399
RE-315006-GP	150K, 1 PCNT, 1/10W, THICK FILM, 0805,	2	R324, R374
RE-320006-GP	200K, 1 PCNT, 1/10W, THICK FILM, 0805,	2	R322, R454
RE-349901-GP	499K 1% 1/8W THICK FILM 1206	1	R82
RE-410003-GP	1M 1% 1/10W RMG 0805	4	R13, R55, R84, R99
SC-000081-GP	T3X8MM, SELF TAPPING, , , ,	2	
SC-000082-GP	SCREW, BIND, HEAD, M3.2 X 8, , B-TITE,	6	
SC-000083-GP	SCREW, BIND, HEAD, M3.5 X 16, , B-TITE,	8	
SC-000084-GP	SCREW, BIND, SERRATED HEAD, M4X25, B-TITE,	4	
SC-000085-GP	SELF SCREW, 3X8, WITH, SERRATED HEAD, , ,	2	
SC-000086-GP	SCREW, M8X101.5, BZ, , , ,	1	
SC-030002-GP	M3 B-TITE FLAT-CS	2	
SC-030004-GP	M3 X 8 BLK MACHINE	6	
SC-040001-GP	SCREW M4-18 X 10MM, BLK ZN	2	
SW-000088-GP	ROCKER POWER SWITCH	1	
SW-000093-GP	CIRCUIT BREAKER, 5 AMP, ,	1	
SW-000122-GP	SWITCH, 1P2T, ,	1	SW302
SW-000123-GP	SWITCH, 2P2T, ,	1	SW301
WC-000188-GP	SLEEVE, PVC, 5MM ID, BLK	0	
WC-000410-GP	UL1672, AWG#18, BROWN, , , , ,	0	
WC-000411-GP	UL1672, AWG#18, BLUE, , , , ,	0	
WC-000412-GP	GRND WIRE, UL1015 #14, , , , ,	1	
WC-000413-GP	WIRE-FLAT, 10P P1.5 #26, , , , ,	3	J303, J305B, J306
WC-000423-GP	SHRINKAGE TUBE, ID=6MM, UL, , , , ,	0	
XF-000295-GP	XFMR, POWER, , 60HZ, TORIODAL, 500W, , HPR 2-WAY, 120V,	1	

Part Number	Description	Qty	Ref Des
CA-005001-GP	5P, +0.25P, 100V, CTC, 0805, 0/30	1	C39
CA-015005-GP	15PF, 5 PCNT, 50V, CERAMIC, 0805,	2	C368, C369
CA-033003-GP	33PF, 5%, 50V, CC, 0805, 1.2X	3	C11, C12, C307
CA-110005-GP	CC 50V 100PF 5% 0805 1.2	1	C47
CA-110007-GP	100P, 5%, 100V, CTC, 0805, 0/30	1	C49
CA-122005-GP	CC 50V 220PF 5% 0805	3	C42, C45, C6
CA-147006-GP	470PF 5% 50V CER NPO	2	C302, C303
CA-156002-GP	560P, 5%, 50V, CM, , RLT P5.0	3	C362, C364, C366
CA-210016-GP	0.001U, 5%, 63V, CM, , RBT 7.5	3	C348, C351, C352
CA-222015-GP	2200P, 5%, 50V, CTC, 0805, 0/30	1	C40
CA-233009-GP	3300P, 5%, 100V, CTC, 1206, 0/30	1	C4
CA-233010-GP	3300P, 5%, 63V, CM, , RBT, 7.5X	3	C338, C340, C341
CA-247005-GP	.0047UF, 5 PCNT, 50V, FILM, DIPPED,	3	C331, C333, C365
CA-310010-GP	0.01U, 5%, 63V, CM, , RBT 7.5X	5	C324, C328, C353, C356, C357
CA-315001-GP	0.015U, 5%, 63V, CM, , RBT	1	C360
CA-322011-GP	0.022U, 5%, 63V, CM, , RBT	5	C342, C345, C346, C358, C363
CA-410014-GP	0.1UF 10% 50V CER X7R 0805	17	C17, C22, C27, C301, C304, C305, C309, C310, C316, C317, C319, C33, C34, C370, C43, C50, C7
CA-410018-GP	CM 250V .1UF 5% RL	2	C8, C9
CA-410024-GP	CC 200V 0.1U 5% 1210	1	C38
CA-415006-GP	.15UF, 5 PCNT, 200V, CC, 1210,	1	C2
CA-422010-GP	0.22U, 10%, 50V, CC, 0805,	2	C10, C30
CA-422011-GP	0.22U, 5%, 63V, CM, , RBT, 7.5X	8	C311, C313, C320, C321, C327, C330, C334, C336
CA-510016-GP	1U, 10%, 25V, CC, 0805,	1	C314
CA-510017-GP	1UF, 20 PCNT, 50V, CC, SMT, 1210	2	C24, C25
CA-610009-GP	CE 35V 10UF 20% RL 5 X 11	1	C35
CA-622010-GP	22UF, 20%, 35V, CE, , RLT, 5x11	1	C36
CA-647006-GP	CE 16NP 47UF 20% RL	5	C1, C308, C326, C337, C37
CA-722007-GP	220UF, 20 PCNT, 25V, CE, RL,	1	C318
CA-747009-GP	470UF, 20%, 16V, CE, , RLT	2	C322, C323
CA-810007-GP	1000UF, 20%, 25V, CE, , RLT	2	C18, C19
CA-868002-GP	6800UF, 20 PCNT, 63V, CE, RL,	4	C13, C14, C15, C16
CH-000173-GP	COVER, XFMR, STEEL, LARGE	1	
CH-000489-GP	PLATE-SPRING STEEL, , , ,	4	
CH-000490-GP	HEATSINK, 381X189.2X38.1, , HPR,	1	
CH-000546-GP	PANEL, INPUT, , HPR152i,	1	
CH-000550-GP	PANEL, AC, , HPRi,	1	
CO-000058-GP	XLR, CONNECTOR, 3PM, , ,	1	J301
CO-000204-GP	CONN XLR F VERT PLASTIC	1	J302
CO-000211-GP	AC INLET 250V 15A	1	
CO-000213-GP	CONN 2 PIN STRAIGHT WAFER	1	J304A
CO-000214-GP	CONN 3 PIN STRAIGHT WAFER	1	J3
CO-000347-GP	TERMINAL BLOCK, 5MM, 5POS(1X5), FEMALE, RIGHT ANGLE	1	J2
CO-000349-GP	WIRE HOLDER, RIBBON CABLE, 10 POS, FEMALE,	3	J303, J305B, J306
CO-000350-GP	WIRE TRAP, RIBBON CABLE, 10 POS, FEMALE, RELEASEABLE	3	J305A, J5, J6
CO-000351-GP	TERMINAL BLACK, 5MM, 4POS(1X4), FEMALE, RIGHT	1	J4
HW-000075-GP	FUSE HOLDER, , , , ,	2	F1, F3
HW-000102-GP	BRASS POST, D6X10, , , ,	3	
IC-000075-GP	IC VOLTAGE REG, +5, LM78L05, SMT,	1	U310
IC-000076-GP	IC LM339, SMD COMPARATORS, , ,	1	U2
IC-000077-GP	IC LM13700M, , , SMT,	1	U305
IC-000078-GP	IC LM19, THERMAL SENSOR, , TO-92,	1	U4
IC-000079-GP	IC MC33078, OP-AMP, , SMT,	3	U1, U302, U8
IC-000377-GP	IC 7805, REGULATOR, 5V, ,	1	U3
IC-000378-GP	IC LM7915CT, REGULATOR, -15V, ,	1	U6
IC-000379-GP	IC LM7815CT, REGULATOR, 15V, ,	1	U5
IC-000380-GP	IC TL072, OPAMP, DUAL, SO-8,	1	U301
IC-000381-GP	IC TL074CD-SO14, OPAMP, QUAD, SO-14,	5	U303, U306, U308, U309, U311
LB-000627-GP	LABEL, WARNING, TOP BOX, HPRI,	1	
MS-000070-GP	2.5A, FAST ACT 5X20, , ,	1	F3
MS-000073-GP	FUSE, FAST, ACTING 5A, SMT, 1206,	2	F4, F5
MS-000292-GP	FUSE, 6.3A, 5 X 20MM, FAST,	1	F1
NW-000070-GP	M3, NUT, , , ,	3	
NW-000072-GP	NUT, HEX, M4, ,	1	
NW-040002-GP	SPRING WASHER M4 X 7	1	
NW-040003-GP	I/T WASHER M4X0.4X8, YZ	1	
PC-122001-00	PCB, MAIN, HPR122i, , ,	1	
PC-122002-00	PCB, INPUT, HPR151i, , ,	1	
PL-000066-GP	EVA GASKET, 5X500, , , ,	3	
PL-000152-GP	CABLE TIE, ISA	4	
PL-000327-GP	PAD, XFMR, EPDM 40A, 1/8" THK, BLACK,	2	
PL-000391-GP	KNOB, GAIN, HPR SERIES, , ,	1	
PL-000454-GP	INSULATION SHEET IC, , , SILPAD 800, ,	4	
PL-000455-GP	LED HOLDER, LED3-11, , , ,	3	LD301-1, LD302-1, LD303-1

Part Number	Description	Qty	Ref Des
PL-000456-GP	SPRINGSEAT, TRANSISTOR, HPR, NYLON, ,	4	
PL-000457-GP	SPACER, L=4.0, ELM 3, , ,	1	U4
PL-000458-GP	SPONGE CUSHION, , , , ,	2	
PT-110002-GP	TRIM, 100, 20 PCNT, 0.15W, ,	2	VR1, VR3
PT-250003-GP	VR 5K, XVB12111YNPVB25F, , , ,	1	VR301
QD-000201-GP	DIODE LL4148 SM	15	D10, D11, D12, D20, D24, D25, D27, D30, D301, D302, D303, D304, D305, D38, D8
QD-000204-GP	XISTOR NPN 60V 200MA 3904 SOT-23	17	Q11, Q16, Q2, Q3, Q301, Q309, Q311, Q312, Q314, Q315, Q37, Q38, Q41, Q42, Q45, Q50, Q6
QD-000205-GP	XISTOR PNP 40V 0.2A TR3906 SOT-23	15	Q1, Q10, Q17, Q19, Q302, Q304, Q305, Q307, Q308, Q36, Q39, Q40, Q46, Q49, Q7
QD-000206-GP	DIOD RECT FAST, IN4934 AT	8	D1, D2, D32, D33, D34, D35, D4, D5
QD-000208-GP	XISTOR PNP 230V 15A 2SA1943	3	Q12, Q14, Q51
QD-000209-GP	XISTOR NPN 230V 15A 2SC5200	3	Q13, Q15, Q52
QD-000227-GP	BRIDGE RECT 400V 25A	2	BR1, BR2
QD-000260-GP	MOSFET, N-CH, 60V, 52A, 52N06V	2	Q21, Q22
QD-000300-GP	LED SC, 2.9 X 5.4 XL 0.5 BL, , , , ,	1	LD302
QD-000301-GP	LED, 3MM, GREEN SP, , , , ,	1	LD303
QD-000302-GP	LED SP, 2.9 X 5.4 XL 0.5 RED, , , , ,	1	LD301
QD-000303-GP	DIODE, BAV21WS 250V, , , , ,	4	D3, D31, D6, D9
QD-000304-GP	DIODE, MUR810 RL 8A, , , , ,	2	D13, D15
QD-000305-GP	DZ 1/2W, 6.2VB RL26.2B, , , , SMT,	2	D14, D7
QD-000306-GP	DZ 1/2W, 7.5VB RL27.5B LL, , , , SMT,	1	D26
QD-000307-GP	SMD DIODE, ISR154-400, , , , ,	6	D16, D17, D18, D19, D36, D37
QD-000308-GP	TR MMBTA42 NPN SMD, , , , , SOT-23,	3	Q20, Q44, Q5
QD-000309-GP	TR 2SA1837, 100-320 RL, , , , ,	2	Q4, Q43
QD-000310-GP	TR 2SC4793, 100-320-RL, , , , ,	2	Q48, Q9
QD-000311-GP	TR MMBTA92 SOT 23 KEC, , , , , ,	3	Q18, Q47, Q8
RE-.01002-GP	0.1R, 5 PCNT, 2W, RMF, ATS METAL,	9	R15, R116, R117, R25, R26, R27, R28, R29, R30
RE-.47006-GP	RMF, 1W, 4R7, 5%, AT,	2	R6, R88
RE-000003-GP	RMG 1/10W 0 OHM 5% 0805	13	R123, R125, R358, R368, R384, R392, R393, R403, R423, R430, R433, R434, R440
RE-001009-GP	10 1% 1/8W THK FLM 1206	2	R337, R338
RE-001012-GP	10OHM, 1/4W, 1%, AT, RMF,	2	R126, R127
RE-001013-GP	10, 1 PCNT, 1/10W, THICK FILM, 0805,	1	R128
RE-004753-GP	RMG 1/10W 47.5 OHM 1% 0805	8	R109, R110, R112, R113, R21, R22, R23, R24
RE-010011-GP	100 1% 1/10W THK FLM 0805 100V	13	R103, R104, R107, R108, R14, R15, R19, R20, R301, R302, R307, R317, R318
RE-018001-GP	180R, 1 PCNT, 1/10W, RMG, 0805,	2	R449, R8
RE-020003-GP	200 1% 1/10W THK FLM 0805 100V	1	R93
RE-040200-GP	402R, 1 PCNT, 1/10W, RMG, 0805,	1	R95
RE-047012-GP	470, 1 PCNT, 1/10W, THICK FILM, 0805,	1	R77
RE-063405-GP	634 OHMS 1% 1/10W 0805	1	R319
RE-091002-GP	910R, 1 PCNT, 1/10W, RMG, 0805,	9	R100, R101, R105, R106, R11, R12, R17, R18, R9
RE-110013-GP	RMG 1/10W 1K 1% 0805	1	R334
RE-115008-GP	1.5K, 1 PCNT, 1/10W, THK FLM, 0805, 100V	1	R383
RE-120004-GP	RMG 1/10W 2K 1% 0805	2	R343, R435
RE-122010-GP	2.2K 1% 1/10W THK FM 0805 100V	2	R102, R16
RE-124001-GP	2.4K, 1 PCNT, 1/10W, RMG, 0805,	4	R2, R344, R35, R81
RE-127001-GP	2.7K, 1 PCNT, 1/10W, RMG, 0805,	2	R313, R385
RE-130006-GP	3K, 1 PCNT, 1/10W, THICK FILM, 0805,	2	R361, R445
RE-130103-GP	RMG 1/10W 3.01K 1% 0805	1	R33
RE-133008-GP	3.3K, 1 PCNT, 1/10W, THICK FILM, 0805,	2	R335, R408
RE-136003-GP	3.6K, 1 PCNT, 1/10W, RMG, 0805,	4	R411, R424, R425, R447
RE-139006-GP	3.9K, 1 PCNT, 1/10W, THICK FILM, 0805,	2	R373, R396
RE-143001-GP	4.3K, 1 PCNT, 1/10W, RMG, 0805,	1	R417
RE-143202-GP	4.32K, 1 PCNT, 1/10W, RMG, 0805,	1	R316
RE-147002-GP	4.7K 1% 1/10W THK FLM 0805	8	R378, R39, R415, R443, R56, R66, R79, R97
RE-147506-GP	4.75K, 1 PCNT, 1/10W, THICK FILM, 0805,	2	R328, R332
RE-151006-GP	5.1K, 1 PCNT, 1/10W, THICK FILM, 0805,	3	R321, R339, R451
RE-152302-GP	5.23K, 1 PCNT, 1/10W, THICK FILM, 0805,	1	R303
RE-156004-GP	5.6K, 1 PCNT, 1/10W, THICK FILM, 0805,	2	R352, R357
RE-159003-GP	5.9K 1% 1/10W THK FLM 0805	2	R96, R98
RE-162001-GP	6.2K, 1 PCNT, 1/10W, RMG, 0805,	1	R348
RE-164901-GP	6.49K, 1 PCNT, 1/10W, RMG, 0805,	2	R333, R48
RE-169802-GP	6.98K, 1 PCNT, 1/10W, THK FLM, 0805, 100V	1	R312
RE-191001-GP	9.1K, 1 PCNT, 1/10W, RMG, 0805,	1	R340
RE-210007-GP	10K 1% 1/10W THK FLM 0805	11	R1, R122, R3, R320, R329, R336, R342, R442, R7, R80, R85
RE-211305-GP	11.3K .1% 1/10W RMG 0805	4	R304, R305, R309, R310
RE-212003-GP	12K 1% 1/10W THK FLM 0805 100V	1	R431
RE-212004-GP	12K, 1 PCNT, 1/8W, THICK FILM, 1206,	1	R448
RE-213005-GP	13K, 1 PCNT, 1/10W, RMG, 0805,	3	R36, R89, R90
RE-215003-GP	15K, 1 PCNT, 1/10W, RMG, 0805,	7	R314, R345, R359, R372, R429, R439, R446
RE-215402-GP	15.4K, 1 PCNT, 1/10W, RMG, 0805,	2	R326, R330
RE-218006-GP	18K, 1 PCNT, 1/10W, THICK FILM, 0805,	4	R391, R413, R414, R91
RE-218702-GP	18.7K, 1 PCNT, 1/10W, THICK FILM, 0805,	2	R308, R311
RE-220005-GP	RMG 1/10W 20K 1% 0805	4	R351, R376, R407, R86
RE-220006-GP	20K, 1 PCNT, 1/10W, THICK FILM, 1206,	1	R38

Part Number	Description	Qty	Ref Des
RE-222001-GP	22K 1% 1/10W 0805	3	R32, R34, R37
RE-224001-GP	24.0K 1% 1/10W THK FLM 0805	1	R453
RE-227001-GP	27K 1% 1/10W 0805	1	R349
RE-230006-GP	30K, 1 PCNT, 1/10W, THICK FILM, 0805,	2	R394, R4
RE-230104-GP	30.1K 1% 1/8W RMG 1206	3	R40, R5, R87
RE-230105-GP	30.1K, 1 PCNT, 1/10W, THICK FILM, 0805,	1	R53
RE-236001-GP	36K, 1 PCNT, 1/10W, RMG, 0805,	1	R355
RE-239204-GP	39.2K, 1 PCNT, 1/10W, THICK FILM, 0805,	3	R315, R325, R356
RE-247006-GP	47K 1% 1/10W THK FLM 0805 100V	3	R377, R69, R76
RE-251001-GP	51K, 1 PCNT, 1/10W, RMG, 0805,	1	R422
RE-275005-GP	75K, 1 PCNT, 1/10W, RMG, ,	3	R370, R405, R450
RE-291001-GP	91K, 1 PCNT, 1/10W, RMG, 0805,	2	R367, R438
RE-310007-GP	100K 1% 1/10W THK FLM 0805	4	R306, R350, R363, R409
RE-310008-GP	100K 1% 1/8W THK FLM 1206	5	R10, R31, R83, R92, R94
RE-312006-GP	120K 1% 1/10W RMG 0805	2	R386, R399
RE-315006-GP	150K, 1 PCNT, 1/10W, THICK FILM, 0805,	2	R324, R374
RE-320006-GP	200K, 1 PCNT, 1/10W, THICK FILM, 0805,	2	R322, R454
RE-349901-GP	499K 1% 1/8W THICK FILM 1206	1	R82
RE-410003-GP	1M 1% 1/10W RMG 0805	4	R13, R55, R84, R99
SC-000081-GP	T3X8MM, SELF TAPPING, , , ,	2	
SC-000082-GP	SCREW, BIND, HEAD, M3.2 X 8, , B-TITE,	6	
SC-000083-GP	SCREW, BIND, HEAD, M3.5 X 16, , B-TITE,	8	
SC-000084-GP	SCREW, BIND, SERRATED HEAD, M4X25, B-TITE,	4	
SC-000085-GP	SELF SCREW, 3X8, WITH, SERRATED HEAD, , ,	2	
SC-000086-GP	SCREW, M8X101.5, BZ, , , ,	1	
SC-030002-GP	M3 B-TITE FLAT-CS	2	
SC-030004-GP	M3 X 8 BLK MACHINE	6	
SC-040001-GP	SCREW M4-18 X 10MM, BLK ZN	2	
SW-000088-GP	ROCKER POWER SWITCH	1	
SW-000119-GP	CIRCUIT BREAKER, 3A, 230V, HPR,	1	
SW-000122-GP	SWITCH, 1P2T, , ,	1	SW302
SW-000123-GP	SWITCH, 2P2T, , ,	1	SW301
WC-000188-GP	SLEEVE, PVC, 5MM ID, BLK	0	
WC-000410-GP	UL1672, AWG#18, BROWN, , , , ,	0	
WC-000411-GP	UL1672, AWG#18, BLUE, , , , ,	0	
WC-000412-GP	GRND WIRE, UL1015 #14, , , , ,	1	
WC-000413-GP	WIRE-FLAT, 10P P1.5 #26, , , , ,	3	J303, J305B, J306
WC-000423-GP	SHRINKAGE TUBE, ID=6MM, UL, , , , ,	0	
XF-000296-GP	XFMR, POWER, , 50HZ, TOROIDAL, 500W, , HPR 2-WAY, 230V,	1	