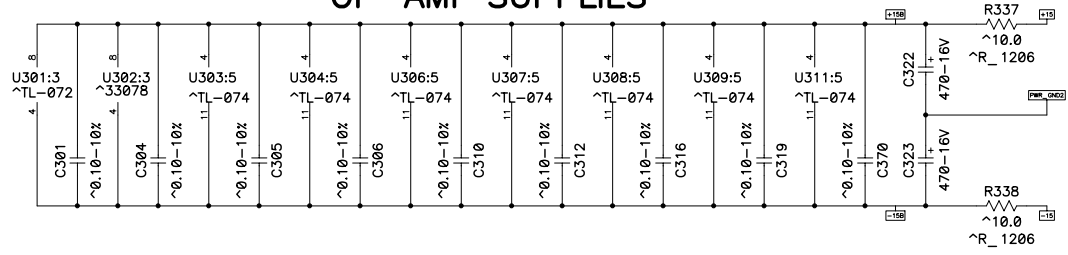
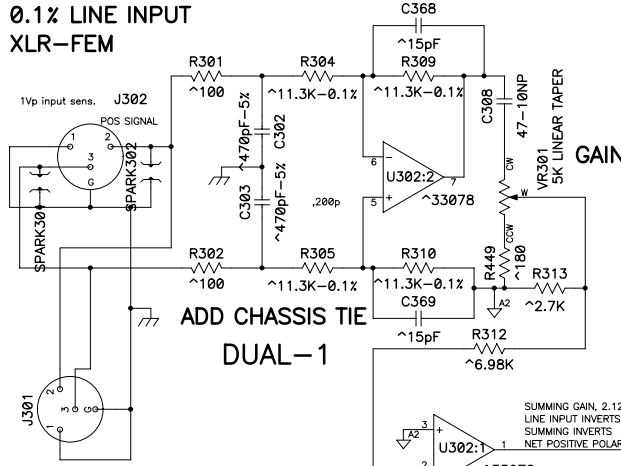


THIS DOCUMENT CONTAINS PROPRIETARY INFORMATION WHICH IS THE PROPERTY OF QSC AUDIO PRODUCTS, THAT MAY NOT BE DISCLOSED, REPRODUCED OR USED WITHOUT EXPRESS WRITTEN CONSENT FROM QSC AUDIO PRODUCTS.

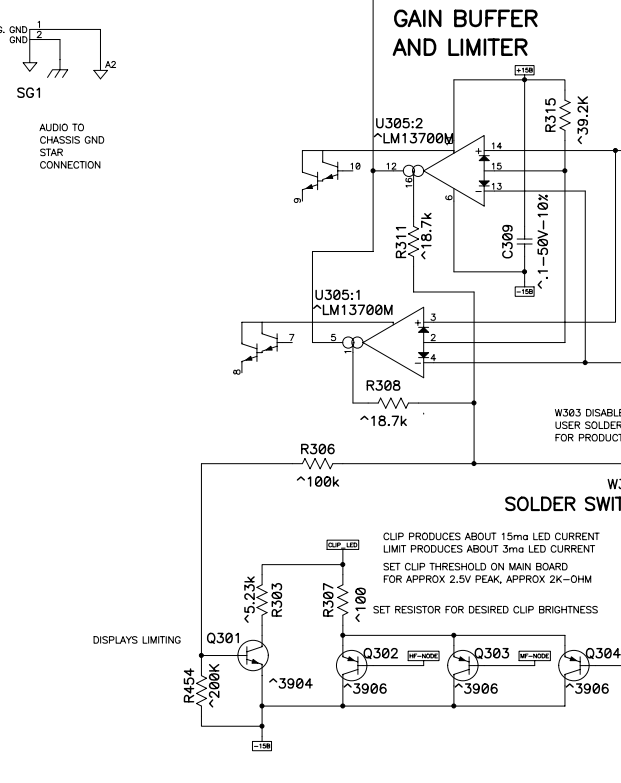
OP-AMP SUPPLIES



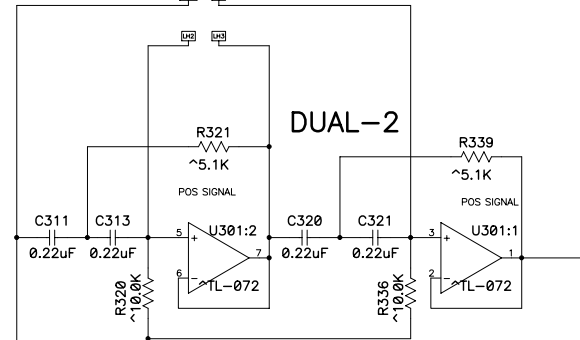
HIGH PERFORMANCE BALANCED INPUT
0.775V (+0dBu, 1Vp) FOR
FULL POWER OUTPUT AT MAX GAIN
0.1% LINE INPUT
XLR-FEM



LINE OUTPUT
XLR-MALE
(USE VERT TYPE)

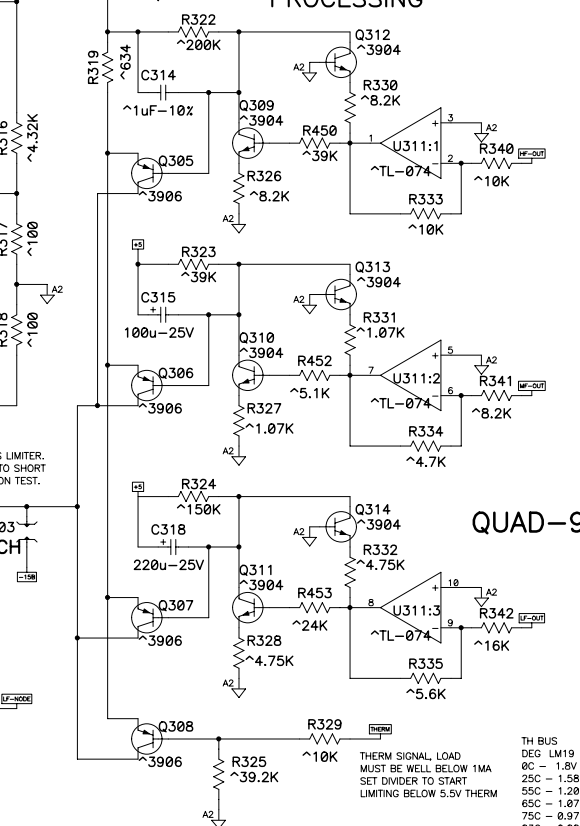


SWITCHABLE 4TH ORDER HP-100Hz UP=BYPASSED

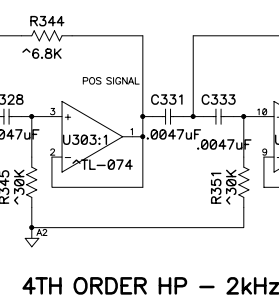


DESIRED LIMITER ATTACK/RELEASE TIMES
3-WAY
*LF ATTACK - 2.76S, RELEASE - 4.76S
*MF ATTACK - 232ms, RELEASE - 521ms
*HF ATTACK - 22ms, RELEASE - 32ms
2-WAY
*LF ATTACK - 3S, RELEASE - 4.7S
*HF ATTACK - 21ms, RELEASE 32ms
1% SUB
*ATTACK - 300ms, RELEASE - 475ms
1% SUB
*ATTACK - 300ms, RELEASE - 560ms

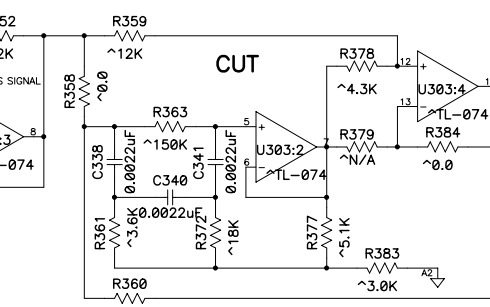
LIMITER CONTROL PROCESSING



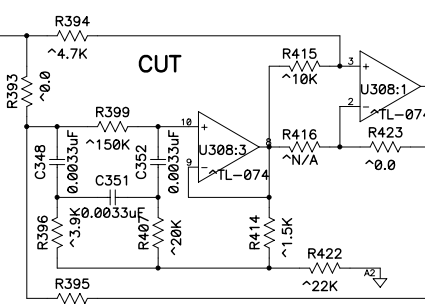
TH BUS
DEG LM19 HPR
8C - 1.0V 10.14
25C - 1.58 8.90
55C - 1.20 6.76
65C - 1.07 6.02
75C - 0.97 5.46 - LIMIT
83C - 0.88 5.00 - WHITE
85C - 0.86 4.84
95C - 0.75 4.22



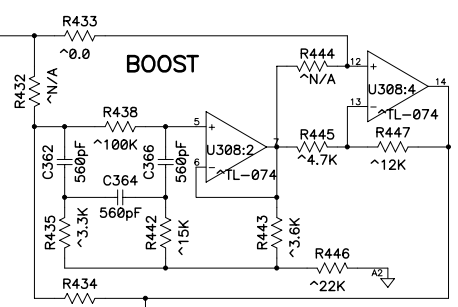
4TH ORDER HP - 2kHz QUAD-3



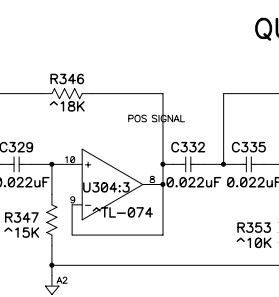
HIGH FREQ PROCESSING QUAD-4



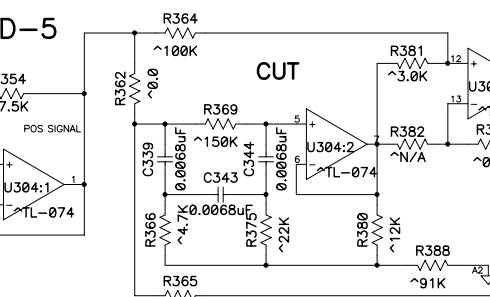
4TH ORDER LP, 2kHz QUAD-6



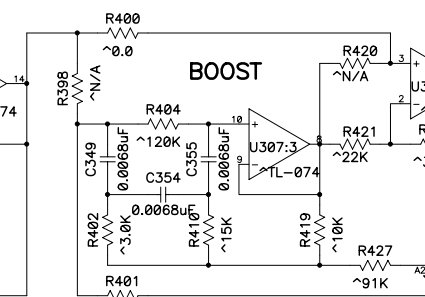
0dB HF GAIN ADJUSTMENT QUAD-8



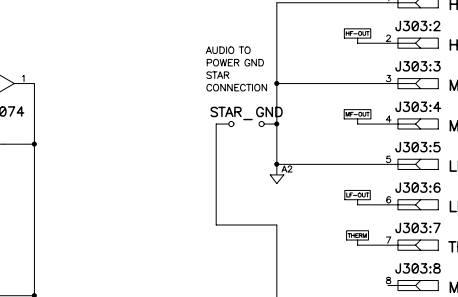
4TH ORDER HP - 600Hz QUAD-5



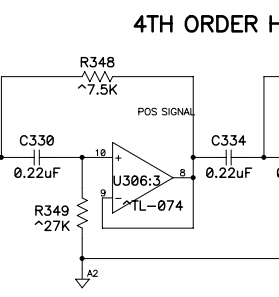
MID FREQ PROCESSING QUAD-7



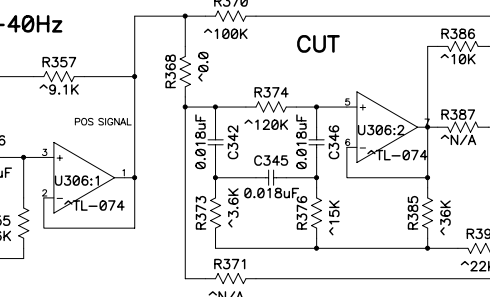
LOW FREQ PROCESSING QUAD-8



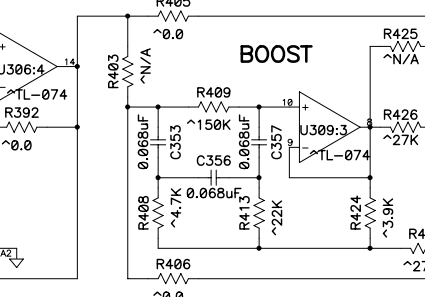
4TH ORDER LP, 600Hz QUAD-8



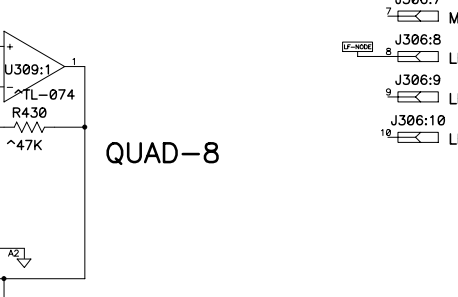
4TH ORDER HP - 40Hz QUAD-7



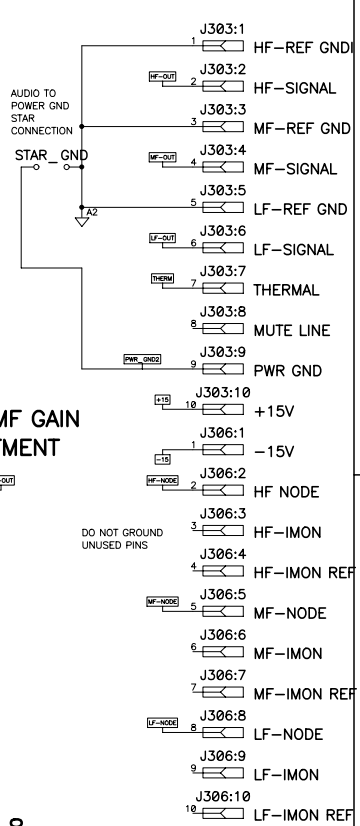
TO FRONT MOUNTED LED (SWITCHABLE) SIGNAL- PRESENCE LED DRIVER



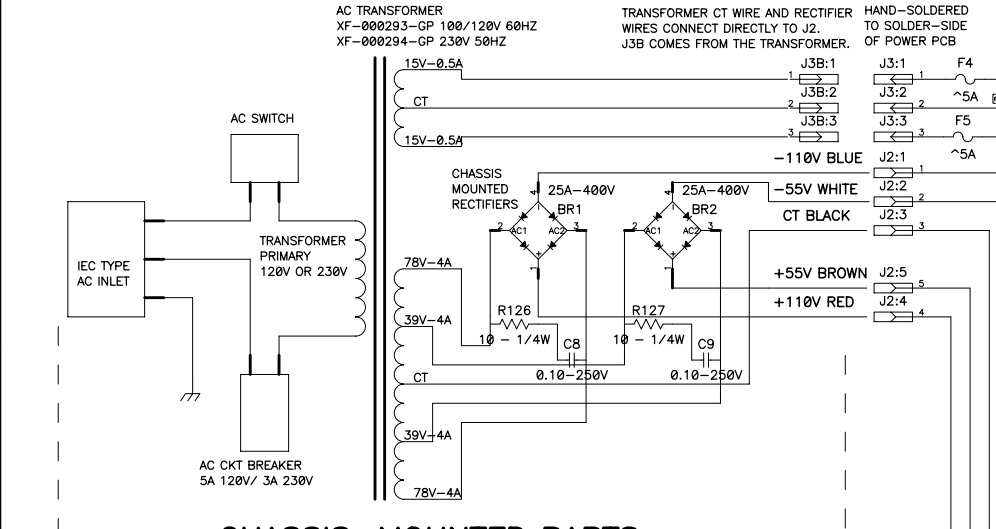
UP=BYPASSED SWITCHABLE 4TH ORDER HP QUAD-9



PANEL-PWR PANEL-SIG PANEL-CLIP-LIM

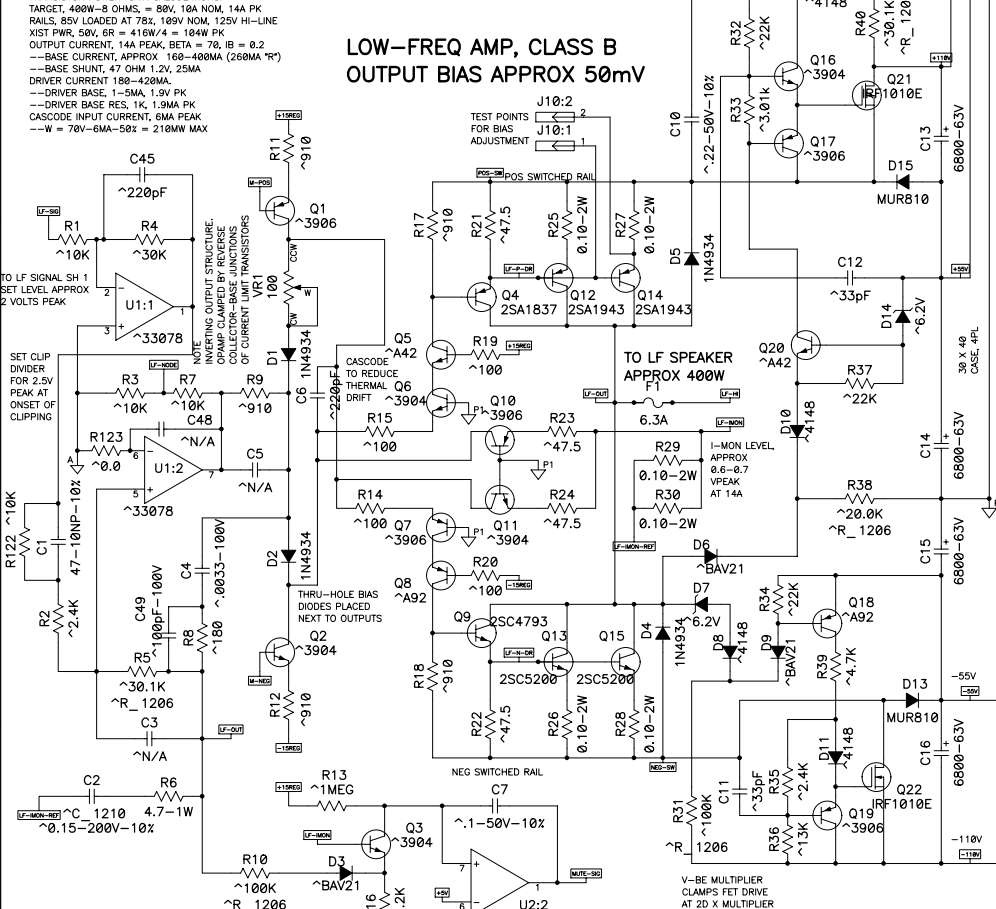


THIS DOCUMENT CONTAINS PROPRIETARY INFORMATION WHICH IS THE PROPERTY OF OSC AUDIO PRODUCTS. THAT MAY NOT BE DISCLOSED, REPRODUCED OR USED WITHOUT EXPRESS WRITTEN CONSENT FROM OSC AUDIO PRODUCTS.



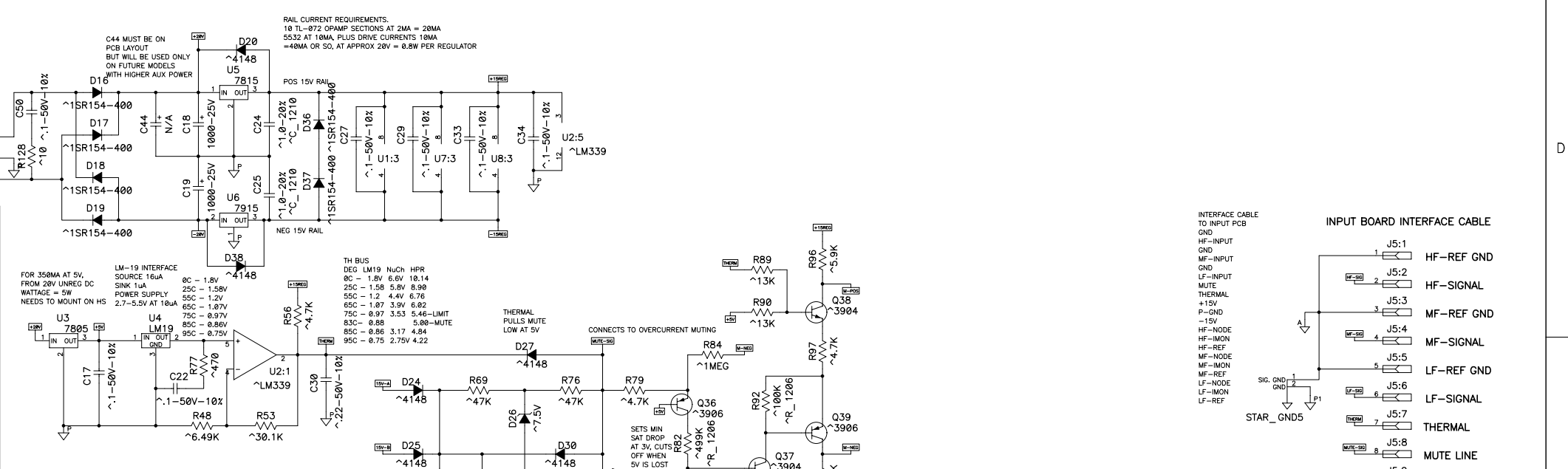
CHASSIS-MOUNTED PARTS

TRANSISTOR POWER-GAIN CALCULATIONS. TARGET: 400W-8 OHMS = 80V, 10A NOM, 14A PK. RAILS, 85V LOADED AT 78V, 109V NOM, 125V HI-LINE. XIST PWR, 50V, 6R = 415W/4 = 104W PK. OUTPUT CURRENT, 14A PEAK; BETA = 70, IB = 0.2. BASE CURRENT, APPROX 100-400MA (200MA * R). BASE SHUNT, 47 OHM 1.2V, 25MA. DRIVER CURRENT 100-420MA. DRIVER BASE, 1-5MA, 1.5V PK. DRIVER BASE RES, 1K, 1.9MA PK. CASCODE INPUT CURRENT, 6MA PEAK. W = 70V-60MA-50x = 210MW MAX.



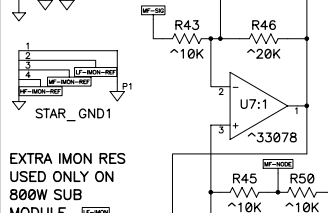
SHORT CIRCUIT DUTY-CYCLE PROTECTION. WHEN SHORTED, POSITIVE IMON REACHES 700-800mV, DRIVES Q1 WHOSE EMITTER RES LIMITS CURR TO 50-100UA. IN 10-20MS, THIS PULLS 0.1UF CAPACITOR BELOW 5V REF. COMPARTOR GOES LOW, DISCHARGES MUTE CAP BY IV. THE 0.1UF CAPACITOR ENFORCE'S APPROX 10MS ONE-SHOT DISCHARGE TIME. MUTE CAP RESETS IN 2 SEC. TO AVOID TICKLING MUTE THRU ONE-SHOT CAP, C-MUTE >200 C9. WHEN AMP IS RUNNING INTO NORMAL LOAD, +20V OUTPUT APPLIES +0.4V TO EMITTER OF Q1, BLANKING IMON SIGNALS.

NOTES: UNLESS OTHERWISE SPECIFIED

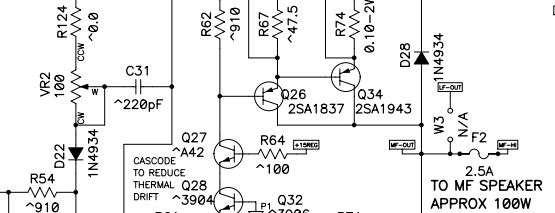
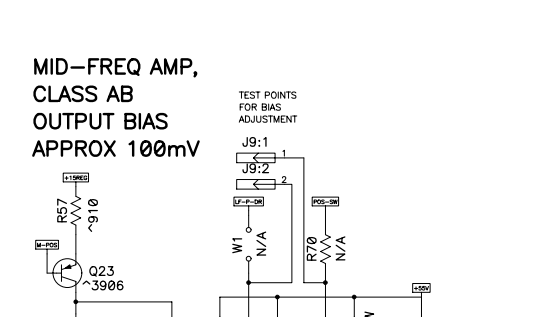


OUTPUT FUSE SCHEDULE SUB. 400W MAX-4 OHM = 10A. FAULT CURRENT = 20A. 2-WAY AND 3-WAY. 200W MAX, LF, 8R = 5A. FAULT CURRENT = 10A. 50W MAX, MF-HF 8R = 2.5A. FAULT CURRENT = 5A.

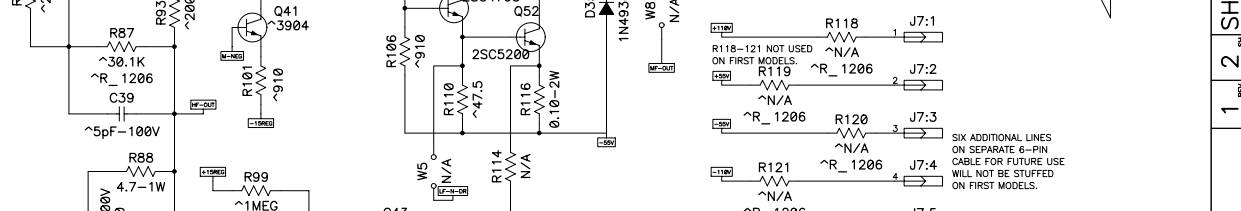
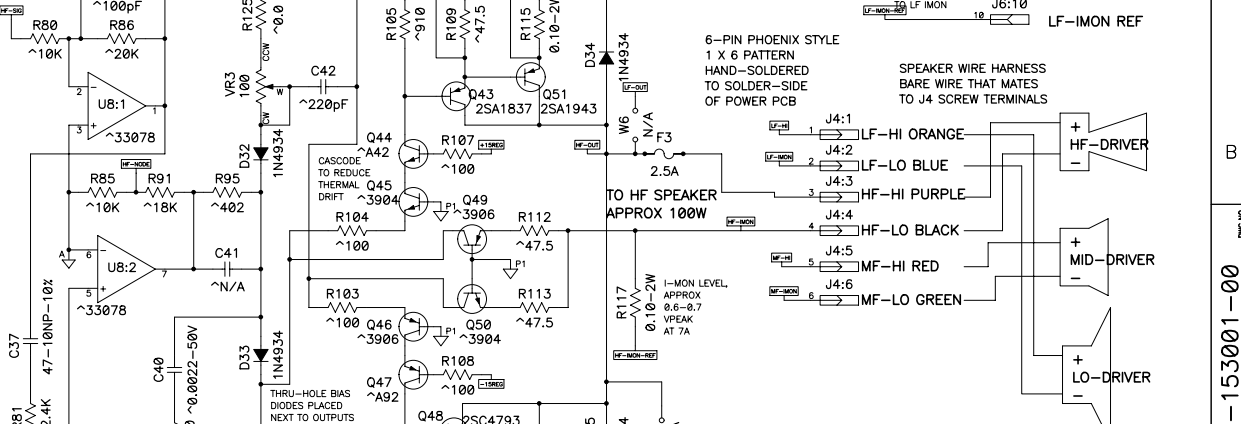
STAR GROUND SHOULD BE AT POWER SUPPLY CENTER, BTWN C14 & C15



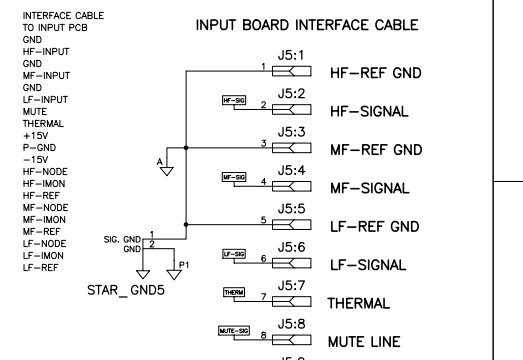
EXTRA IMON RES USED ONLY ON 800W SUB MODULE. R41, R42, R43, R44, R45, R50.



TO LF SPEAKER APPROX 400W. TO MF SPEAKER APPROX 100W. TO HF SPEAKER APPROX 100W.



SIX ADDITIONAL LINES ON SEPARATE 6-PIN CABLE FOR FUTURE USE WILL NOT BE STUPEL ON FIRST MODELS.



6-PIN PHOENIX STYLE 1 X 6 PATTERN HAND-SOLDERED TO SOLDER-SIDE OF POWER PCB. SPEAKER WIRE HARNESS BARE WIRE THAT MATES TO J4 SCREW TERMINALS.

SIZE	FSCM NO.	DWG NO.	REV
D		SH-153001-00	1
SCALE	CAD FILE NO.	SHEET	1

Part Number	Description	Qty	Ref Des
CA-005001-GP	5P, +0.25P, 100V, CTC, 0805, 0/30	1	C39
CA-015005-GP	15PF, 5 PCNT, 50V, CERAMIC, 0805,	2	C368, C369
CA-033003-GP	33PF, 5%, 50V, CC, 0805, 1.2X	2	C11, C12
CA-068003-GP	68PF, 5%, , CTC, 0805, 0/30	1	C307
CA-110005-GP	CC 50V 100PF 5% 0805 1.2	1	C47
CA-110007-GP	100P, 5%, 100V, CTC, 0805, 0/30	1	C49
CA-122005-GP	CC 50V 220PF 5% 0805	5	C31, C42, C45, C46, C6
CA-147006-GP	470PF 5% 50V CER NPO	2	C302, C303
CA-156002-GP	560P, 5%, 50V, CM, , RLT P5.0	3	C362, C364, C366
CA-222014-GP	2200P, 5%, 63V, CM, , RBT	3	C338, C340, C341
CA-222015-GP	2200P, 5%, 50V, CTC, 0805, 0/30	2	C26, C40
CA-233009-GP	3300P, 5%, 100V, CTC, 1206, 0/30	1	C4
CA-233010-GP	3300P, 5%, 63V, CM, , RBT, 7.5X	3	C348, C351, C352
CA-247005-GP	.0047UF, 5 PCNT, 50V, FILM, DIPPED,	4	C324, C328, C331, C333
CA-268002-GP	6800P, 5%, 63V, CM, , RBT	7	C339, C343, C344, C349, C354, C355, C361
CA-310010-GP	0.01U, 5%, 63V, CM, , RBT 7.5X	2	C350, C365
CA-318002-GP	0.018U, 5%, 63V, CM, , RBT	3	C342, C345, C346
CA-322011-GP	0.022U, 5%, 63V, CM, , RBT	6	C325, C329, C332, C335, C347, C359
CA-333001-GP	0.033UF, 5%, 63V, CM, , RB, 7.5	1	C360
CA-368006-GP	.068UF, 5 PCNT, 50V, FILM, ,	4	C353, C356, C357, C358
CA-410014-GP	0.1UF 10% 50V CER X7R 0805	21	C17, C22, C27, C29, C301, C304, C305, C306, C309, C310, C312, C316, C317, C319, C32, C33, C34, C370, C43, C50, C7
CA-410018-GP	CM 250V .1UF 5% RL	2	C8, C9
CA-410023-GP	0.1UF, 5%, 63V, CM, , RBT, 7.5X6	1	C363
CA-410024-GP	CC 200V 0.1U 5% 1210	2	C21, C38
CA-415006-GP	.15UF, 5 PCNT, 200V, CC, 1210,	1	C2
CA-422010-GP	0.22U, 10%, 50V, CC, 0805,	2	C10, C30
CA-422011-GP	0.22U, 5%, 63V, CM, , RBT, 7.5X	8	C311, C313, C320, C321, C327, C330, C334, C336
CA-510016-GP	1U, 10%, 25V, CC, 0805,	1	C314
CA-510017-GP	1UF, 20 PCNT, 50V, CC, SMT, 1210	2	C24, C25
CA-610009-GP	CE 35V 10UF 20% RL 5 X 11	1	C35
CA-622010-GP	22UF, 20%, 35V, CE, , RLT, 5x11	1	C36
CA-647006-GP	CE 16NP 47UF 20% RL	6	C1, C20, C308, C326, C337, C37
CA-710014-GP	100U, 20%, 25V, CE, , RLT, 6X11	1	C315
CA-722007-GP	220UF, 20 PCNT, 25V, CE, RL,	1	C318
CA-747009-GP	470UF, 20%, 16V, CE, , RLT	2	C322, C323
CA-810007-GP	1000UF, 20%, 25V, CE, , RLT	2	C18, C19
CA-868002-GP	6800UF, 20 PCNT, 63V, CE, RL,	4	C13, C14, C15, C16
CH-000173-GP	COVER, XFMR, STEEL, LARGE	1	
CH-000489-GP	PLATE-SPRING STEEL, , , ,	5	
CH-000490-GP	HEATSINK, 381X189.2X38.1, , HPR,	1	
CH-000547-GP	PANEL, INPUT, , HPR153i,	1	
CH-000550-GP	PANEL, AC, , HPRi,	1	
CO-000058-GP	XLR, CONNECTOR, 3PM, ,	1	J301
CO-000204-GP	CONN XLR F VERT PLASTIC	1	J302
CO-000211-GP	AC INLET 250V 15A	1	
CO-000213-GP	CONN 2 PIN STRAIGHT WAFER	1	J304A
CO-000214-GP	CONN 3 PIN STRAIGHT WAFER	1	J3
CO-000347-GP	TERMINAL BLOCK, 5MM, 5POS(1X5), FEMALE, RIGHT ANGLE	1	J2
CO-000348-GP	TERMINAL BLOCK, 5MM, 6POS (1X6), FEMALE, RIGHT ANGLE	1	J4
CO-000349-GP	WIRE HOLDER, RIBBON CABLE, 10 POS, FEMALE,	3	J303, J305B, J306
CO-000350-GP	WIRE TRAP, RIBBON CABLE, 10 POS, FEMALE, RELEASEABLE	3	J305A, J5, J6
HW-000075-GP	FUSE HOLDER, , , , ,	3	F1, F2, F3
HW-000102-GP	BRASS POST, D6X10, , , ,	3	
IC-000075-GP	IC VOLTAGE REG, +5, LM78L05, SMT,	1	U310
IC-000076-GP	IC LM339, SMD COMPARATORS, , ,	1	U2
IC-000077-GP	IC LM13700M, , , SMT,	1	U305
IC-000078-GP	IC LM19, THERMAL SENSOR, , TO-92,	1	U4
IC-000079-GP	IC MC33078, OP-AMP, , SMT,	4	U1, U302, U7, U8
IC-000377-GP	IC 7805, REGULATOR, 5V, ,	1	U3
IC-000378-GP	IC LM7915CT, REGULATOR, -15V, ,	1	U6
IC-000379-GP	IC LM7815CT, REGULATOR, 15V, ,	1	U5
IC-000380-GP	IC TL072, OPAMP, DUAL, SO-8,	1	U301
IC-000381-GP	IC TL074CD-SO14, OPAMP, QUAD, SO-14,	7	U303, U304, U306, U307, U308, U309, U311
LB-000627-GP	LABEL, WARNING, TOP BOX, HPRi,	1	
MS-000070-GP	2.5A, FAST ACT 5X20, , ,	2	F2, F3
MS-000073-GP	FUSE, FAST, ACTING 5A, SMT, 1206,	2	F4, F5
MS-000292-GP	FUSE, 6.3A, 5 X 20MM, FAST,	1	F1
NW-000070-GP	M3, NUT, , , ,	3	
NW-000072-GP	NUT, HEX, M4, , ,	1	
NW-040002-GP	SPRING WASHER M4 X 7	1	
NW-040003-GP	I/T WASHER M4X0.4X8, YZ	1	
PC-122001-00	PCB, MAIN, HPR122i, , ,	1	
PC-122002-00	PCB, INPUT, HPR151i, , ,	1	
PL-000066-GP	EVA GASKET, 5X500, , , ,	3	
PL-000152-GP	CABLE TIE, ISA	4	
PL-000327-GP	PAD, XFMR, EPDM 40A, 1/8" THK, BLACK,	2	
PL-000391-GP	KNOB, GAIN, HPR SERIES, , ,	1	
PL-000454-GP	INSULATION SHEET IC, , , SILPAD 800, ,	5	
PL-000455-GP	LED HOLDER, LED3-11, , , ,	3	LD301-1, LD302-1, LD303-1
PL-000456-GP	SPRINGSEAT, TRANSISTOR, HPR, NYLON, ,	5	
PL-000457-GP	SPACER, L=4.0, ELM 3, , ,	1	U4
PL-000458-GP	SPONGE CUSHION, , , , ,	2	
PT-110002-GP	TRIM, 100, 20 PCNT, 0.15W, ,	3	VR1, VR2, VR3
PT-250003-GP	VR 5K, XVB12111YNPB25F, , , ,	1	VR301
QD-000201-GP	DIODE LL4148 SM	15	D10, D11, D12, D20, D24, D25, D27, D30, D301, D302, D303, D304, D305, D38, D8

Part Number	Description	Qty	Ref Des
QD-000204-GP	XISTOR NPN 60V 200MA 3904 SOT-23	23	Q11, Q16, Q2, Q24, Q25, Q28, Q3, Q301, Q309, Q310, Q311, Q312, Q313, Q314, Q315, Q33, Q37, Q38, Q41, Q42, Q45, Q50, Q6
QD-000205-GP	XISTOR PNP 40V 0.2A TR3906 SOT-23	20	Q1, Q10, Q17, Q19, Q23, Q29, Q302, Q303, Q304, Q305, Q306, Q307, Q308, Q32, Q36, Q39, Q40, Q46, Q49, Q7
QD-000206-GP	DIOD RECT FAST, IN4934 AT	12	D1, D2, D22, D23, D28, D29, D32, D33, D34, D35, D4, D5
QD-000208-GP	XISTOR PNP 230V 15A 2SA1943	4	Q12, Q14, Q34, Q51
QD-000209-GP	XISTOR NPN 230V 15A 2SC5200	4	Q13, Q15, Q35, Q52
QD-000227-GP	BRIDGE RECT 400V 25A	2	BR1, BR2
QD-000260-GP	MOSFET, N-CH, 60V, 52A, 52N06V	2	Q21, Q22
QD-000300-GP	LED SC, 2.9 X 5.4 XL 0.5 BL, , , , ,	1	LD302
QD-000301-GP	LED, 3MM, GREEN SP, , , , ,	1	LD303
QD-000302-GP	LED SP, 2.9 X 5.4 XL 0.5 RED, , , , ,	1	LD301
QD-000303-GP	DIODE, BAV21WS 250V, , , , ,	5	D21, D3, D31, D6, D9
QD-000304-GP	DIODE, MUR810 RL 8A, , , , ,	2	D13, D15
QD-000305-GP	DZ 1/2W, 6.2VB RLZ6.2B, , , , SMT,	2	D14, D7
QD-000306-GP	DZ 1/2W, 7.5VB RLZ7.5B LL, , , , SMT,	1	D26
QD-000307-GP	SMD DIODE, ISR154-400, , , , ,	6	D16, D17, D18, D19, D36, D37
QD-000308-GP	TR MMBTA42 NPN SMD, , , , , SOT-23,	4	Q20, Q27, Q44, Q5
QD-000309-GP	TR 2SA1837, 100-320 RL, , , , ,	3	Q26, Q4, Q43
QD-000310-GP	TR 2SC4793, 100-320-RL, , , , ,	3	Q31, Q48, Q9
QD-000311-GP	TR MMBTA92 SOT 23 KEC, , , , ,	4	Q18, Q30, Q47, Q8
RE-01002-GP	0.1R, 5 PCNT, 2W, RMF, ATS METAL,	12	R115, R116, R117, R25, R26, R27, R28, R29, R30, R74, R75, R78
RE-47006-GP	RMF, 1W, 4R7, 5%, AT,	3	R49, R6, R88
RE-000003-GP	RMG 1/10W 0 OHM 5% 0805	17	R123, R124, R125, R358, R362, R368, R384, R389, R392, R393, R400, R401, R405, R406, R423, R433, R434
RE-001009-GP	10 1% 1/8W THK FLM 1206	2	R337, R338
RE-001012-GP	10OHM, 1/4W, 1%, AT, RMF,	2	R126, R127
RE-001013-GP	10, 1 PCNT, 1/10W, THICK FILM, 0805,	1	R128
RE-004753-GP	RMG 1/10W 47.5 OHM 1% 0805	13	R109, R110, R111, R112, R113, R21, R22, R23, R24, R67, R68, R71, R72
RE-010011-GP	100 1% 1/10W THK FLM 0805 100V	17	R103, R104, R107, R108, R14, R15, R19, R20, R301, R302, R307, R317, R318, R60, R61, R64, R65
RE-018001-GP	180R, 1 PCNT, 1/10W, RMG, 0805,	2	R449, R8
RE-020003-GP	200 1% 1/10W THK FLM 0805 100V	1	R93
RE-030006-GP	300 OHM, 1 PCNT, 1/10W, THICK FILM, 0805,	1	R51
RE-040200-GP	402R, 1 PCNT, 1/10W, RMG, 0805,	2	R436, R95
RE-047012-GP	470, 1 PCNT, 1/10W, THICK FILM, 0805,	1	R77
RE-063405-GP	634 OHMS 1% 1/10W 0805	1	R319
RE-091002-GP	910R, 1 PCNT, 1/10W, RMG, 0805,	14	R100, R101, R105, R106, R11, R12, R17, R18, R54, R57, R58, R62, R63, R9
RE-110702-GP	1.07K, 1 PCNT, 1/10W, RMG, 0805,	2	R327, R331
RE-115008-GP	1.5K, 1 PCNT, 1/10W, THK FLM, 0805, 100V	2	R414, R440
RE-120004-GP	RMG 1/10W 2K 1% 0805	1	R343
RE-122010-GP	2.2K 1% 1/10W THK FM 0805 100V	3	R102, R16, R59
RE-124001-GP	2.4K, 1 PCNT, 1/10W, RMG, 0805,	4	R2, R35, R44, R81
RE-127001-GP	2.7K, 1 PCNT, 1/10W, RMG, 0805,	1	R313
RE-130006-GP	3K, 1 PCNT, 1/10W, THICK FILM, 0805,	3	R381, R383, R402
RE-130103-GP	RMG 1/10W 3.01K 1% 0805	1	R33
RE-133008-GP	3.3K, 1 PCNT, 1/10W, THICK FILM, 0805,	1	R435
RE-136003-GP	3.6K, 1 PCNT, 1/10W, RMG, 0805,	3	R361, R373, R443
RE-139006-GP	3.9K, 1 PCNT, 1/10W, THICK FILM, 0805,	3	R396, R411, R424
RE-143001-GP	4.3K, 1 PCNT, 1/10W, RMG, 0805,	1	R378
RE-143202-GP	4.32K, 1 PCNT, 1/10W, RMG, 0805,	1	R316
RE-147002-GP	4.7K 1% 1/10W THK FLM 0805	11	R334, R366, R39, R394, R408, R412, R445, R56, R66, R79, R97
RE-147506-GP	4.75K, 1 PCNT, 1/10W, THICK FILM, 0805,	2	R328, R332
RE-151006-GP	5.1K, 1 PCNT, 1/10W, THICK FILM, 0805,	5	R321, R339, R377, R451, R452
RE-152302-GP	5.23K, 1 PCNT, 1/10W, THICK FILM, 0805,	1	R303
RE-156004-GP	5.6K, 1 PCNT, 1/10W, THICK FILM, 0805,	1	R335
RE-159003-GP	5.9K 1% 1/10W THK FLM 0805	2	R96, R98
RE-162001-GP	6.2K, 1 PCNT, 1/10W, RMG, 0805,	1	R352
RE-164901-GP	6.49K, 1 PCNT, 1/10W, RMG, 0805,	1	R48
RE-168007-GP	6.8K, 1 PCNT, 1/10W, RMG, 0805,	1	R344
RE-169802-GP	6.98K, 1 PCNT, 1/10W, THK FLM, 0805, 100V	1	R312
RE-175004-GP	7.5K 1% 1/10W THK FM 0805 100V	4	R348, R354, R390, R397
RE-182007-GP	8.2K, 1 PCNT, 1/10W, THICK FILM, 0805,	4	R326, R330, R341, R418
RE-191001-GP	9.1K, 1 PCNT, 1/10W, RMG, 0805,	1	R357
RE-210007-GP	10K 1% 1/10W THK FLM 0805	20	R1, R122, R3, R320, R329, R333, R336, R340, R353, R386, R415, R419, R43, R437, R439, R45, R50, R7, R80, R85
RE-211305-GP	11.3K .1% 1/10W RMG 0805	4	R304, R305, R309, R310
RE-212003-GP	12K 1% 1/10W THK FLM 0805 100V	3	R359, R380, R447
RE-212004-GP	12K, 1 PCNT, 1/8W, THICK FILM, 1206,	1	R448
RE-212105-GP	12.1K, 1 PCNT, 1/10W, RMG, 0805,	1	R441
RE-213005-GP	13K, 1 PCNT, 1/10W, RMG, 0805,	3	R36, R89, R90
RE-215003-GP	15K, 1 PCNT, 1/10W, RMG, 0805,	5	R347, R376, R410, R431, R442
RE-216001-GP	16K, 1 PCNT, 1/10W, RMG, 0805,	1	R342
RE-218006-GP	18K, 1 PCNT, 1/10W, THICK FILM, 0805,	4	R346, R372, R417, R91
RE-218702-GP	18.7K, 1 PCNT, 1/10W, THICK FILM, 0805,	2	R308, R311
RE-220005-GP	RMG 1/10W 20K 1% 0805	3	R407, R46, R86
RE-220006-GP	20K, 1 PCNT, 1/10W, THICK FILM, 1206,	1	R38
RE-222001-GP	22K 1% 1/10W 0805	9	R32, R34, R37, R375, R391, R413, R421, R422, R446
RE-224001-GP	24.0K 1% 1/10W THK FLM 0805	2	R314, R453
RE-227001-GP	27K 1% 1/10W 0805	3	R349, R426, R429
RE-230006-GP	30K, 1 PCNT, 1/10W, THICK FILM, 0805,	4	R345, R351, R4, R428
RE-230104-GP	30.1K 1% 1/8W RMG 1206	4	R40, R47, R5, R87
RE-230105-GP	30.1K, 1 PCNT, 1/10W, THICK FILM, 0805,	1	R53
RE-236001-GP	36K, 1 PCNT, 1/10W, RMG, 0805,	2	R355, R385
RE-239003-GP	39K, 1 PCNT, 1/10W, MET FLM, 0805, 100V	2	R323, R450
RE-239204-GP	39.2K, 1 PCNT, 1/10W, THICK FILM, 0805,	3	R315, R325, R356
RE-247006-GP	47K 1% 1/10W THK FLM 0805 100V	3	R430, R69, R76
RE-291001-GP	91K, 1 PCNT, 1/10W, RMG, 0805,	3	R367, R388, R427
RE-310007-GP	100K 1% 1/10W THK FLM 0805	5	R306, R350, R364, R370, R438
RE-310008-GP	100K 1% 1/8W THK FLM 1206	6	R10, R31, R52, R83, R92, R94

Part Number	Description	Qty	Ref Des
RE-312006-GP	120K 1% 1/10W RMG 0805	2	R374, R404
RE-315006-GP	150K, 1 PCNT, 1/10W, THICK FILM, 0805,	5	R324, R363, R369, R399, R409
RE-320006-GP	200K, 1 PCNT, 1/10W, THICK FILM, 0805,	2	R322, R454
RE-349901-GP	499K 1% 1/8W THICK FILM 1206	1	R82
RE-410003-GP	1M 1% 1/10W RMG 0805	4	R13, R55, R84, R99
SC-000081-GP	T3X8MM, SELF TAPPING, , , ,	2	
SC-000082-GP	SCREW, BIND, HEAD, M3.2 X 8, , B-TITE,	6	
SC-000083-GP	SCREW, BIND, HEAD, M3.5 X 16, , B-TITE,	10	
SC-000084-GP	SCREW, BIND, SERRATED HEAD, M4X25, B-TITE,	4	
SC-000085-GP	SELF SCREW, 3X8, WITH, SERRATED HEAD, , ,	2	
SC-000086-GP	SCREW, M8X101.5, BZ, , , ,	1	
SC-030002-GP	M3 B-TITE FLAT-CS	2	
SC-030004-GP	M3 X 8 BLK MACHINE	6	
SC-040001-GP	SCREW M4-18 X 10MM, BLK ZN	2	
SW-000088-GP	ROCKER POWER SWITCH	1	
SW-000093-GP	CIRCUIT BREAKER, 5 AMP, ,	1	
SW-000119-GP	CIRCUIT BREAKER, 3A, 230V, HPR,	1	
SW-000122-GP	SWITCH, 1P2T, ,	1	SW302
SW-000123-GP	SWITCH, 2P2T, ,	1	SW301
WC-000188-GP	SLEEVE, PVC, 5MM ID, BLK	0	
WC-000410-GP	UL1672, AWG#18, BROWN, , , , ,	0	
WC-000411-GP	UL1672, AWG#18, BLUE, , , , ,	0	
WC-000412-GP	GRND WIRE, UL1015 #14, , , , ,	1	
WC-000413-GP	WIRE-FLAT, 10P P1.5 #26, , , , ,	3	J303, J305B, J306
WC-000423-GP	SHRINKAGE TUBE, ID=6MM, UL, , , , ,	0	
XF-000293-GP	POWER TRANSFORMER, 120V, , , , HPR SERIES, ,	1	

Part Number	Description	Qty	Ref Des
CA-005001-GP	5P, +0.25P, 100V, CTC, 0805, 0/30	1	C39
CA-015005-GP	15PF, 5 PCNT, 50V, CERAMIC, 0805,	2	C368, C369
CA-033003-GP	33PF, 5%, 50V, CC, 0805, 1.2X	2	C11, C12
CA-068003-GP	68PF, 5%, , CTC, 0805, 0/30	1	C307
CA-110005-GP	CC 50V 100PF 5% 0805 1.2	1	C47
CA-110007-GP	100P, 5%, 100V, CTC, 0805, 0/30	1	C49
CA-122005-GP	CC 50V 220PF 5% 0805	5	C31, C42, C45, C46, C6
CA-147006-GP	470PF 5% 50V CER NPO	2	C302, C303
CA-156002-GP	560P, 5%, 50V, CM, , RLT P5.0	3	C362, C364, C366
CA-222014-GP	2200P, 5%, 63V, CM, , RBT	3	C338, C340, C341
CA-222015-GP	2200P, 5%, 50V, CTC, 0805, 0/30	2	C26, C40
CA-233009-GP	3300P, 5%, 100V, CTC, 1206, 0/30	1	C4
CA-233010-GP	3300P, 5%, 63V, CM, , RBT, 7.5X	3	C348, C351, C352
CA-247005-GP	.0047UF, 5 PCNT, 50V, FILM, DIPPED,	4	C324, C328, C331, C333
CA-268002-GP	6800P, 5%, 63V, CM, , RBT	7	C339, C343, C344, C349, C354, C355, C361
CA-310010-GP	0.01U, 5%, 63V, CM, , RBT 7.5X	2	C350, C365
CA-318002-GP	0.018U, 5%, 63V, CM, , RBT	3	C342, C345, C346
CA-322011-GP	0.022U, 5%, 63V, CM, , RBT	6	C325, C329, C332, C335, C347, C359
CA-333001-GP	0.033UF, 5%, 63V, CM, , RB, 7.5	1	C360
CA-368006-GP	.068UF, 5 PCNT, 50V, FILM, ,	4	C353, C356, C357, C358
CA-410014-GP	0.1UF 10% 50V CER X7R 0805	21	C17, C22, C27, C29, C301, C304, C305, C306, C309, C310, C312, C316, C317, C319, C32, C33, C34, C370, C43, C50, C7
CA-410018-GP	CM 250V .1UF 5% RL	2	C8, C9
CA-410023-GP	0.1UF, 5%, 63V, CM, , RBT, 7.5X6	1	C363
CA-410024-GP	CC 200V 0.1U 5% 1210	2	C21, C38
CA-415006-GP	.15UF, 5 PCNT, 200V, CC, 1210,	1	C2
CA-422010-GP	0.22U, 10%, 50V, CC, 0805,	2	C10, C30
CA-422011-GP	0.22U, 5%, 63V, CM, , RBT, 7.5X	8	C311, C313, C320, C321, C327, C330, C334, C336
CA-510016-GP	1U, 10%, 25V, CC, 0805,	1	C314
CA-510017-GP	1UF, 20 PCNT, 50V, CC, SMT, 1210	2	C24, C25
CA-610009-GP	CE 35V 10UF 20% RL 5 X 11	1	C35
CA-622010-GP	22UF, 20%, 35V, CE, , RLT, 5x11	1	C36
CA-647006-GP	CE 16NP 47UF 20% RL	6	C1, C20, C308, C326, C337, C37
CA-710014-GP	100U, 20%, 25V, CE, , RLT, 6X11	1	C315
CA-722007-GP	220UF, 20 PCNT, 25V, CE, RL,	1	C318
CA-747009-GP	470UF, 20%, 16V, CE, , RLT	2	C322, C323
CA-810007-GP	1000UF, 20%, 25V, CE, , RLT	2	C18, C19
CA-868002-GP	6800UF, 20 PCNT, 63V, CE, RL,	4	C13, C14, C15, C16
CH-000173-GP	COVER, XFMR, STEEL, LARGE	1	
CH-000489-GP	PLATE-SPRING STEEL, , , ,	5	
CH-000490-GP	HEATSINK, 381X189.2X38.1, , HPR,	1	
CH-000547-GP	PANEL, INPUT, , HPR153i,	1	
CH-000550-GP	PANEL, AC, , HPRI,	1	
CO-000058-GP	XLR, CONNECTOR, 3PM, , ,	1	J301
CO-000204-GP	CONN XLR F VERT PLASTIC	1	J302
CO-000211-GP	AC INLET 250V 15A	1	
CO-000213-GP	CONN 2 PIN STRAIGHT WAFER	1	J304A
CO-000214-GP	CONN 3 PIN STRAIGHT WAFER	1	J3
CO-000347-GP	TERMINAL BLOCK, 5MM, 5POS(1X5), FEMALE, RIGHT ANGLE	1	J2
CO-000348-GP	TERMINAL BLOCK, 5MM, 6POS (1X6), FEMALE, RIGHT ANGLE	1	J4
CO-000349-GP	WIRE HOLDER, RIBBON CABLE, 10 POS, FEMALE,	3	J303, J305B, J306
CO-000350-GP	WIRE TRAP, RIBBON CABLE, 10 POS, FEMALE, RELEASEABLE	3	J305A, J5, J6
HW-000075-GP	FUSE HOLDER, , , , ,	3	F1, F2, F3
HW-000102-GP	BRASS POST, D6X10, , , ,	3	
IC-000075-GP	IC VOLTAGE REG, +5, LM78L05, SMT,	1	U310
IC-000076-GP	IC LM339, SMD COMPARATORS, , ,	1	U2
IC-000077-GP	IC LM13700M, , , SMT,	1	U305
IC-000078-GP	IC LM19, THERMAL SENSOR, , TO-92,	1	U4
IC-000079-GP	IC MC33078, OP-AMP, , SMT,	4	U1, U302, U7, U8
IC-000377-GP	IC 7805, REGULATOR, 5V, , ,	1	U3
IC-000378-GP	IC LM7915CT, REGULATOR, -15V, , ,	1	U6
IC-000379-GP	IC LM7815CT, REGULATOR, 15V, , ,	1	U5
IC-000380-GP	IC TL072, OPAMP, DUAL, SO-8,	1	U301
IC-000381-GP	IC TL074CD-SO14, OPAMP, QUAD, SO-14,	7	U303, U304, U306, U307, U308, U309, U311
LB-000627-GP	LABEL, WARNING, TOP BOX, HPRI,	1	
MS-000070-GP	2.5A, FAST ACT 5X20, , , ,	2	F2, F3
MS-000073-GP	FUSE, FAST, ACTING 5A, SMT, 1206,	2	F4, F5
MS-000292-GP	FUSE, 6.3A, 5 X 20MM, FAST,	1	F1
NW-000070-GP	M3, NUT, , , , ,	3	
NW-000072-GP	NUT, HEX, M4, , , , ,	1	
NW-040002-GP	SPRING WASHER M4 X 7	1	
NW-040003-GP	I/T WASHER M4X0.4X8, YZ	1	
PC-122001-00	PCB, MAIN, HPR122i, , , ,	1	
PC-122002-00	PCB, INPUT, HPR151i, , , ,	1	
PL-000066-GP	EVA GASKET, 5X500, , , , ,	3	
PL-000152-GP	CABLE TIE, ISA	4	
PL-000327-GP	PAD, XFMR, EPDM 40A, 1/8" THK, BLACK,	2	
PL-000391-GP	KNOB, GAIN, HPR SERIES, , , ,	1	
PL-000454-GP	INSULATION SHEET IC, , , SILPAD 800, ,	5	
PL-000455-GP	LED HOLDER, LED3-11, , , , ,	3	LD301-1, LD302-1, LD303-1
PL-000456-GP	SPRINGSEAT, TRANSISTOR, HPR, NYLON, ,	5	
PL-000457-GP	SPACER, L=4.0, ELM 3, , , ,	1	U4
PL-000458-GP	SPONGE CUSHION, , , , , ,	2	
PT-110002-GP	TRIM, 100, 20 PCNT, 0.15W, , ,	3	VR1, VR2, VR3
PT-250003-GP	VR 5K, XVB121111NYPV25F, , , , ,	1	VR301
QD-000201-GP	DIODE LL4148 SM	15	D10, D11, D12, D20, D24, D25, D27, D30, D301, D302, D303, D304, D305, D38, D8
QD-000204-GP	XISTOR NPN 60V 200MA 3904 SOT-23	23	Q11, Q16, Q2, Q24, Q25, Q28, Q3, Q301, Q309, Q310, Q311, Q312, Q313, Q314, Q315, Q33, Q37, Q38, Q41, Q42, Q45, Q50, Q6

Part Number	Description	Qty	Ref Des
QD-000205-GP	XISTOR PNP 40V 0.2A TR3906 SOT-23	20	Q1, Q10, Q17, Q19, Q23, Q29, Q302, Q303, Q304, Q305, Q306, Q307, Q308, Q32, Q36, Q39, Q40, Q46, Q49, Q7
QD-000206-GP	DIOD RECT FAST, IN4934 AT	12	D1, D2, D22, D23, D28, D29, D32, D33, D34, D35, D4, D5
QD-000208-GP	XISTOR PNP 230V 15A 2SA1943	4	Q12, Q14, Q34, Q51
QD-000209-GP	XISTOR NPN 230V 15A 2SC5200	4	Q13, Q15, Q35, Q52
QD-000227-GP	BRIDGE RECT 400V 25A	2	BR1, BR2
QD-000260-GP	MOSFET, N-CH, 60V, 52A, 52N06V	2	Q21, Q22
QD-000300-GP	LED SC, 2.9 X 5.4 XL 0.5 BL, , , , ,	1	LD302
QD-000301-GP	LED, 3MM, GREEN SP, , , ,	1	LD303
QD-000302-GP	LED SP, 2.9 X 5.4 XL 0.5 RED, , , , ,	1	LD301
QD-000303-GP	DIODE, BAV21WS 250V, , , , ,	5	D21, D3, D31, D6, D9
QD-000304-GP	DIODE, MUR810 RL 8A, , , , ,	2	D13, D15
QD-000305-GP	DZ 1/2W, 6.2VB RLZ6.2B, , , , SMT,	2	D14, D7
QD-000306-GP	DZ 1/2W, 7.5VB RLZ7.5B LL, , , , SMT,	1	D26
QD-000307-GP	SMD DIODE, ISR154-400, , , , ,	6	D16, D17, D18, D19, D36, D37
QD-000308-GP	TR MMBTA42 NPN SMD, , , , , SOT-23,	4	Q20, Q27, Q44, Q5
QD-000309-GP	TR 2SA1837, 100-320 RL, , , , ,	3	Q26, Q4, Q43
QD-000310-GP	TR 2SC4793, 100-320-RL, , , , ,	3	Q31, Q48, Q9
QD-000311-GP	TR MMBTA92 SOT 23 KEC, , , , , ,	4	Q18, Q30, Q47, Q8
RE-.01002-GP	0.1R, 5 PCNT, 2W, RMF, ATS METAL,	12	R115, R116, R117, R25, R26, R27, R28, R29, R30, R74, R75, R78
RE-.47006-GP	RMF, 1W, 4R7, 5%, AT,	3	R49, R6, R88
RE-000003-GP	RMG 1/10W 0 OHM 5% 0805	17	R123, R124, R125, R358, R362, R368, R384, R389, R392, R393, R400, R401, R405, R406, R423, R433, R434
RE-001009-GP	10 1% 1/8W THK FLM 1206	1	R337, R338
RE-001012-GP	10OHM, 1/4W, 1%, AT, RMF,	2	R126, R127
RE-001013-GP	10, 1 PCNT, 1/10W, THICK FILM, 0805,	1	R128
RE-004753-GP	RMG 1/10W 47.5 OHM 1% 0805	13	R109, R110, R111, R112, R113, R21, R22, R23, R24, R67, R68, R71, R72
RE-010011-GP	100 1% 1/10W THK FLM 0805 100V	17	R103, R104, R107, R108, R14, R15, R19, R20, R301, R302, R307, R317, R318, R60, R61, R64, R65
RE-018001-GP	180R, 1 PCNT, 1/10W, RMG, 0805,	2	R449, R8
RE-020003-GP	200 1% 1/10W THK FLM 0805 100V	1	R93
RE-030006-GP	300 OHM, 1 PCNT, 1/10W, THICK FILM, 0805,	1	R51
RE-040200-GP	402R, 1 PCNT, 1/10W, RMG, 0805,	2	R436, R95
RE-047012-GP	470, 1 PCNT, 1/10W, THICK FILM, 0805,	1	R77
RE-063405-GP	634 OHMS 1% 1/10W 0805	1	R319
RE-091002-GP	910R, 1 PCNT, 1/10W, RMG, 0805,	14	R100, R101, R105, R106, R11, R12, R17, R18, R54, R57, R58, R62, R63, R9
RE-110702-GP	1.07K, 1 PCNT, 1/10W, RMG, 0805,	2	R327, R331
RE-115008-GP	1.5K, 1 PCNT, 1/10W, THK FLM, 0805, 100V	2	R414, R440
RE-120004-GP	RMG 1/10W 2K 1% 0805	1	R343
RE-122010-GP	2.2K 1% 1/10W THK FM 0805 100V	3	R102, R16, R59
RE-124001-GP	2.4K, 1 PCNT, 1/10W, RMG, 0805,	4	R2, R35, R44, R81
RE-127001-GP	2.7K, 1 PCNT, 1/10W, RMG, 0805,	1	R313
RE-130006-GP	3K, 1 PCNT, 1/10W, THICK FILM, 0805,	3	R381, R383, R402
RE-130103-GP	RMG 1/10W 3.01K 1% 0805	1	R33
RE-133008-GP	3.3K, 1 PCNT, 1/10W, THICK FILM, 0805,	1	R435
RE-136003-GP	3.6K, 1 PCNT, 1/10W, RMG, 0805,	3	R361, R373, R443
RE-139006-GP	3.9K, 1 PCNT, 1/10W, THICK FILM, 0805,	3	R396, R411, R424
RE-143001-GP	4.3K, 1 PCNT, 1/10W, RMG, 0805,	1	R378
RE-143202-GP	4.32K, 1 PCNT, 1/10W, RMG, 0805,	1	R316
RE-147002-GP	4.7K 1% 1/10W THK FLM 0805	11	R334, R366, R39, R394, R408, R412, R445, R56, R66, R79, R97
RE-147506-GP	4.75K, 1 PCNT, 1/10W, THICK FILM, 0805,	2	R328, R332
RE-151006-GP	5.1K, 1 PCNT, 1/10W, THICK FILM, 0805,	5	R321, R339, R377, R451, R452
RE-152302-GP	5.23K, 1 PCNT, 1/10W, THICK FILM, 0805,	1	R303
RE-156004-GP	5.6K, 1 PCNT, 1/10W, THICK FILM, 0805,	1	R335
RE-159003-GP	5.9K 1% 1/10W THK FLM 0805	2	R96, R98
RE-162001-GP	6.2K, 1 PCNT, 1/10W, RMG, 0805,	1	R352
RE-164901-GP	6.49K, 1 PCNT, 1/10W, RMG, 0805,	1	R48
RE-168007-GP	6.8K, 1 PCNT, 1/10W, RMG, 0805,	1	R344
RE-169802-GP	6.98K, 1 PCNT, 1/10W, THK FLM, 0805, 100V	1	R312
RE-175004-GP	7.5K 1% 1/10W THK FM 0805 100V	4	R348, R354, R390, R397
RE-182007-GP	8.2K, 1 PCNT, 1/10W, THICK FILM, 0805,	4	R326, R330, R341, R418
RE-191001-GP	9.1K, 1 PCNT, 1/10W, RMG, 0805,	1	R357
RE-210007-GP	10K 1% 1/10W THK FLM 0805	20	R1, R122, R3, R320, R329, R333, R336, R340, R353, R386, R415, R419, R43, R437, R439, R45, R50, R7, R80, R85
RE-211305-GP	11.3K .1% 1/10W RMG 0805	4	R304, R305, R309, R310
RE-212003-GP	12K 1% 1/10W THK FLM 0805 100V	3	R359, R380, R447
RE-212004-GP	12K, 1 PCNT, 1/8W, THICK FILM, 1206,	1	R448
RE-212105-GP	12.1K, 1 PCNT, 1/10W, RMG, 0805,	1	R441
RE-213005-GP	13K, 1 PCNT, 1/10W, RMG, 0805,	3	R36, R89, R90
RE-215003-GP	15K, 1 PCNT, 1/10W, RMG, 0805,	5	R347, R376, R410, R431, R442
RE-216001-GP	16K, 1 PCNT, 1/10W, RMG, 0805,	1	R342
RE-218006-GP	18K, 1 PCNT, 1/10W, THICK FILM, 0805,	4	R346, R372, R417, R91
RE-218702-GP	18.7K, 1 PCNT, 1/10W, THICK FILM, 0805,	2	R308, R311
RE-220005-GP	RMG 1/10W 20K 1% 0805	3	R407, R46, R86
RE-220006-GP	20K, 1 PCNT, 1/10W, THICK FILM, 1206,	1	R38
RE-222001-GP	22K 1% 1/10W 0805	9	R32, R34, R37, R375, R391, R413, R421, R422, R446
RE-224001-GP	24.0K 1% 1/10W THK FLM 0805	2	R314, R453
RE-227001-GP	27K 1% 1/10W 0805	3	R349, R426, R429
RE-230006-GP	30K, 1 PCNT, 1/10W, THICK FILM, 0805,	4	R345, R351, R4, R428
RE-230104-GP	30.1K 1% 1/8W RMG 1206	4	R40, R47, R5, R87
RE-230105-GP	30.1K, 1 PCNT, 1/10W, THICK FILM, 0805,	1	R53
RE-236001-GP	36K, 1 PCNT, 1/10W, RMG, 0805,	2	R355, R385
RE-239003-GP	39K, 1 PCNT, 1/10W, MET FLM, 0805, 100V	2	R323, R450
RE-239204-GP	39.2K, 1 PCNT, 1/10W, THICK FILM, 0805,	3	R315, R325, R356
RE-247006-GP	47K 1% 1/10W THK FLM 0805 100V	3	R430, R69, R76
RE-291001-GP	91K, 1 PCNT, 1/10W, RMG, 0805,	3	R367, R388, R427
RE-310007-GP	100K 1% 1/10W THK FLM 0805	5	R306, R350, R364, R370, R438
RE-310008-GP	100K 1% 1/8W THK FLM 1206	6	R10, R31, R52, R83, R92, R94
RE-312006-GP	120K 1% 1/10W RMG 0805	2	R374, R404
RE-315006-GP	150K, 1 PCNT, 1/10W, THICK FILM, 0805,	5	R324, R363, R369, R399, R409

Part Number	Description	Qty	Ref Des
RE-320006-GP	200K, 1 PCNT, 1/10W, THICK FILM, 0805,	2	R322, R454
RE-349901-GP	499K 1% 1/8W THICK FILM 1206	1	R82
RE-410003-GP	1M 1% 1/10W RMG 0805	4	R13, R55, R84, R99
SC-000081-GP	T3X8MM, SELF TAPPING, , , ,	2	
SC-000082-GP	SCREW, BIND, HEAD, M3.2 X 8, , B-TITE,	6	
SC-000083-GP	SCREW, BIND, HEAD, M3.5 X 16, , B-TITE,	10	
SC-000084-GP	SCREW, BIND, SERRATED HEAD, M4X25, B-TITE,	4	
SC-000085-GP	SELF SCREW, 3X8, WITH, SERRATED HEAD, , ,	2	
SC-000086-GP	SCREW, M8X101.5, BZ, , , ,	1	
SC-030002-GP	M3 B-TITE FLAT-CS	2	
SC-030004-GP	M3 X 8 BLK MACHINE	6	
SC-040001-GP	SCREW M4-18 X 10MM, BLK ZN	2	
SW-000088-GP	ROCKER POWER SWITCH	1	
SW-000119-GP	CIRCUIT BREAKER, 3A, 230V, HPR,	1	
SW-000122-GP	SWITCH, 1P2T, ,	1	SW302
SW-000123-GP	SWITCH, 2P2T, ,	1	SW301
WC-000188-GP	SLEEVE, PVC, 5MM ID, BLK	0	
WC-000410-GP	UL1672, AWG#18, BROWN, , , , ,	0	
WC-000411-GP	UL1672, AWG#18, BLUE, , , , ,	0	
WC-000412-GP	GRND WIRE, UL1015 #14, , , , ,	1	
WC-000413-GP	WIRE-FLAT, 10P P1.5 #26, , , , ,	3	J303, J305B, J306
WC-000423-GP	SHRINKAGE TUBE, ID=6MM, UL, , , , ,	0	
XF-000294-GP	POWER TRANSFORMER, 230V, , , , HPR SERIES, ,	1	