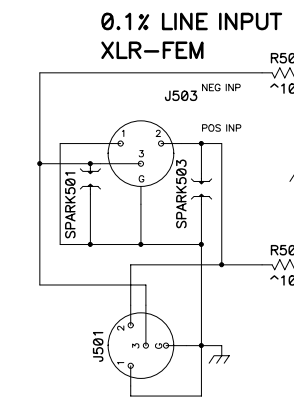
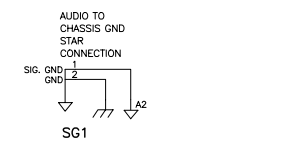
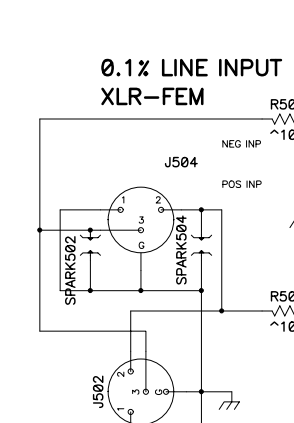


THIS DOCUMENT CONTAINS PROPRIETARY INFORMATION WHICH IS THE PROPERTY OF QSC AUDIO PRODUCTS, THAT MAY NOT BE DISCLOSED, REPRODUCED OR USED WITHOUT EXPRESS WRITTEN CONSENT FROM QSC AUDIO PRODUCTS.

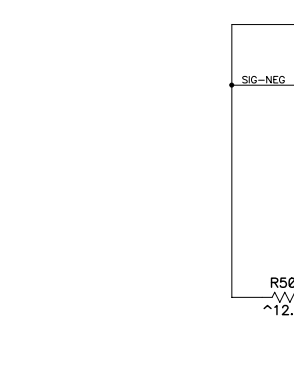


0.1% LINE INPUT XLR-FEM



0.1% LINE INPUT XLR-FEM

LINE OUTPUT, XLR-MALE

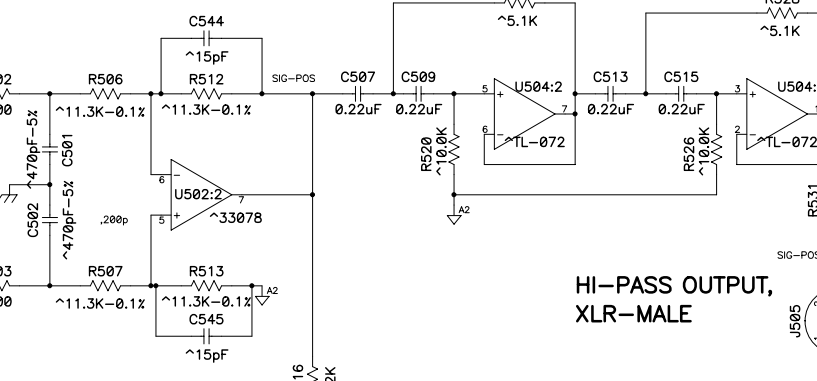


4TH ORDER HP-40Hz

DUAL-4B

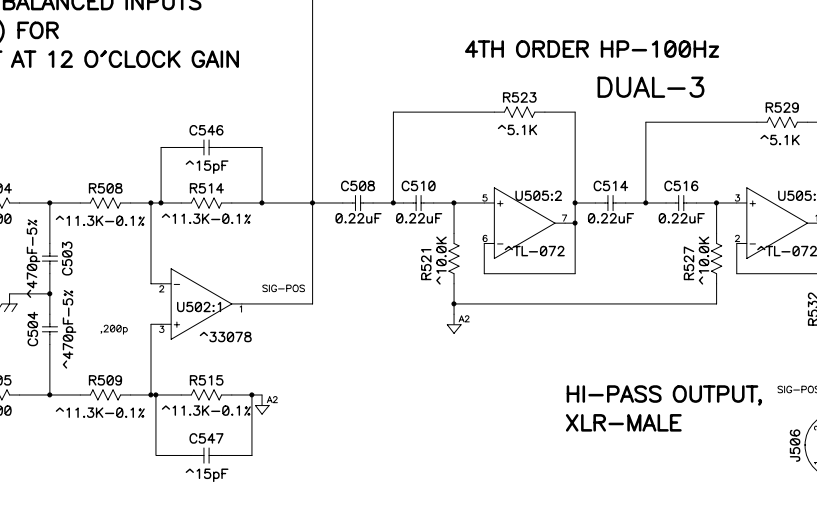
LINE OUTPUT, XLR-MALE

ADD CHASSIS TIE



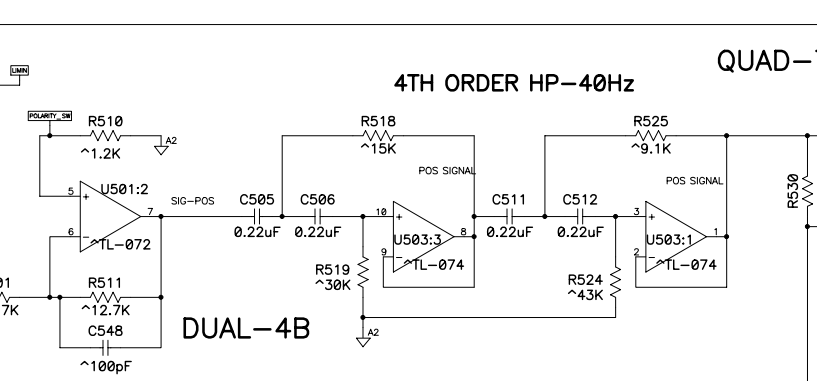
4TH ORDER HP-100Hz

DUAL-2



4TH ORDER HP-100Hz

DUAL-3

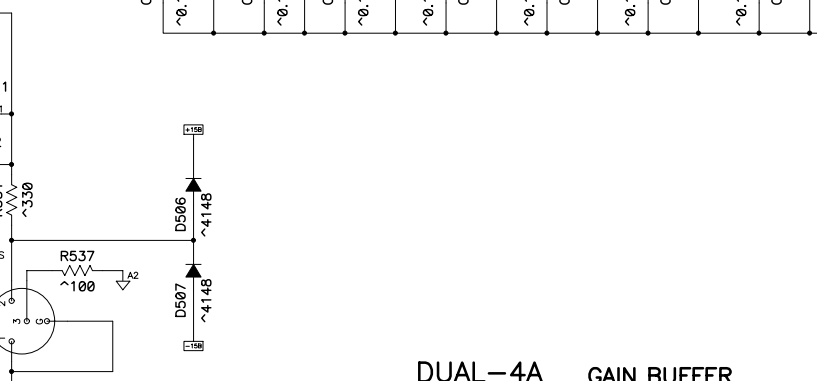


4TH ORDER HP-40Hz

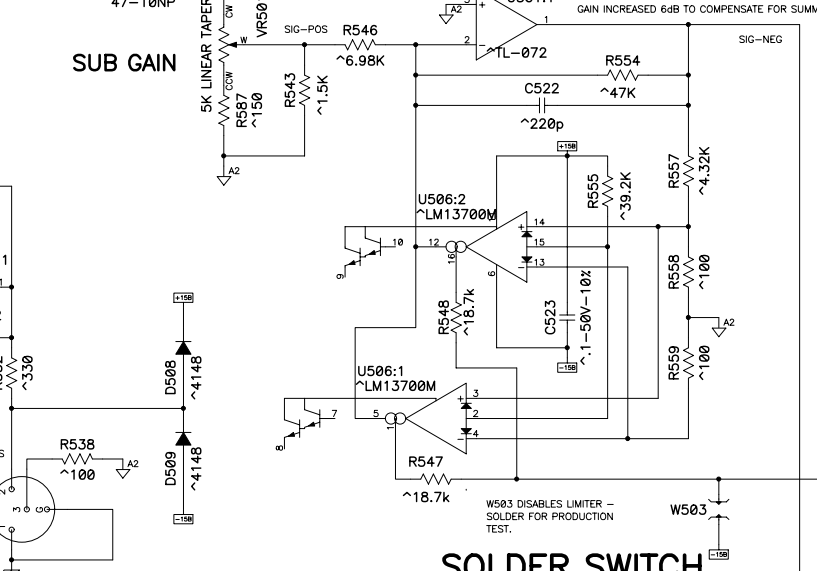
QUAD-7

LOW FREQ PROCESSING

OP-AMP SUPPLIES

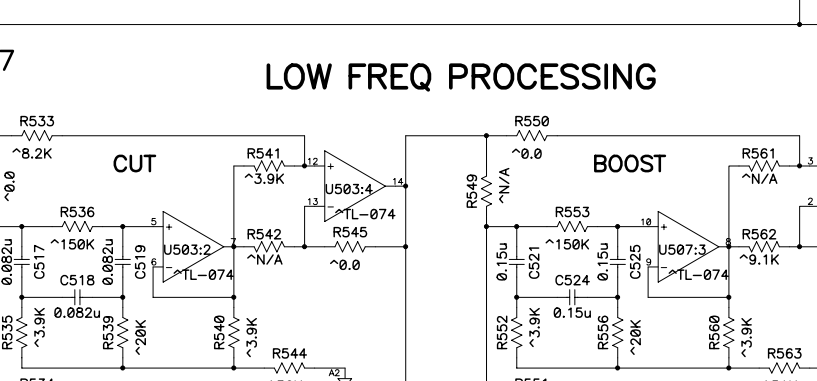


OP-AMP SUPPLIES



DUAL-4A

GAIN BUFFER AND LIMITER

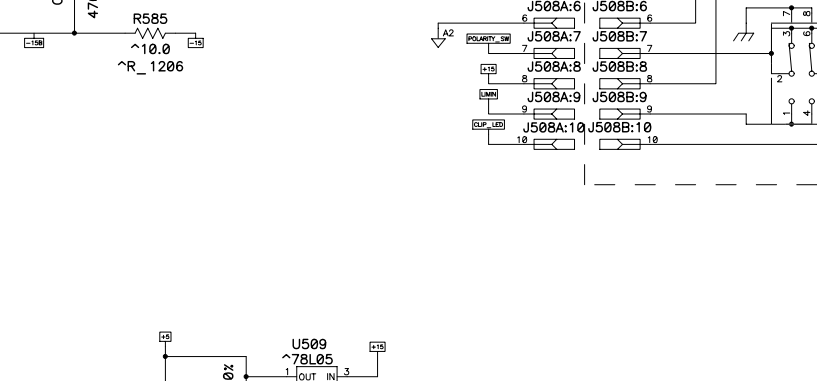


4TH ORDER LP, 100Hz

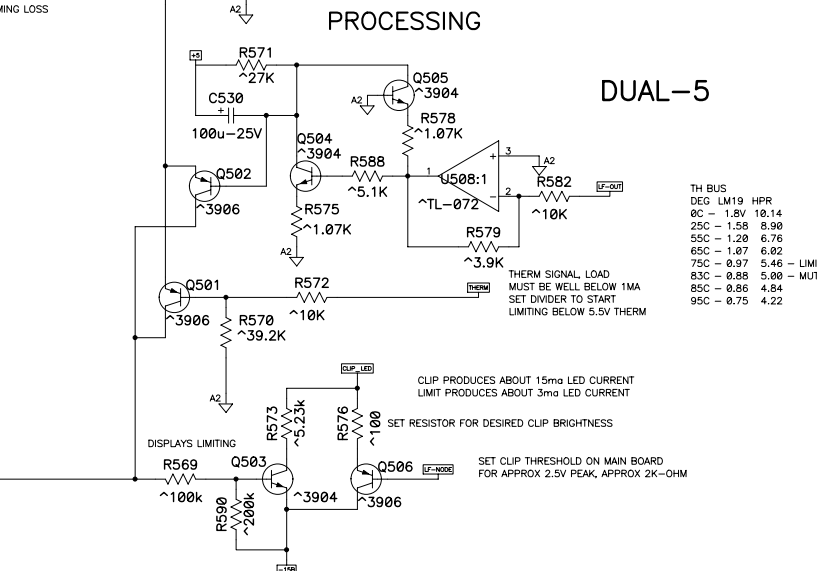
QUAD-8

LOW FREQ PROCESSING

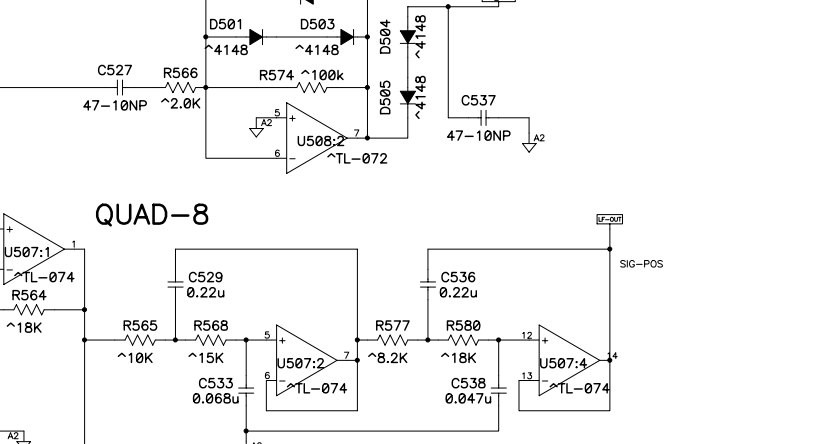
TO FRONT MOUNTED LED (SWITCHABLE)



TO FRONT MOUNTED LED (SWITCHABLE)



LIMITER CONTROL PROCESSING

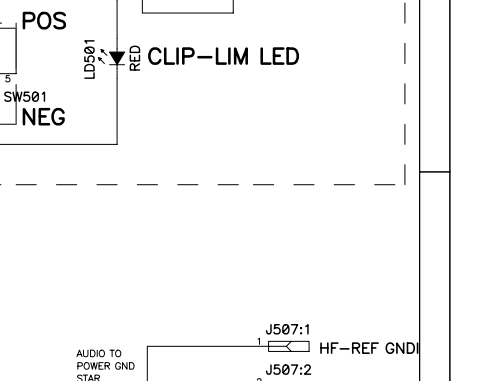


SIGNAL-PRESENCE LED DRIVER

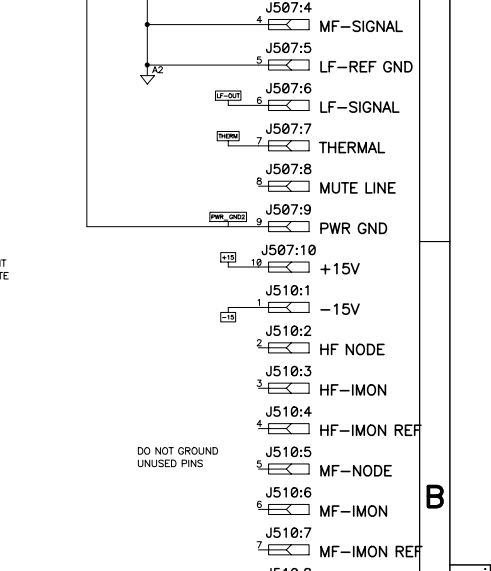
4TH ORDER LP, 100Hz

QUAD-8

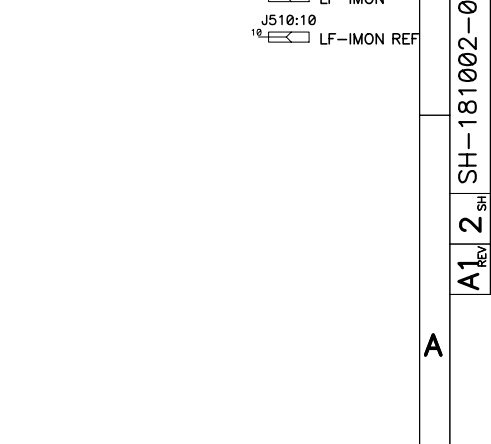
SWITCH/LED PCB MOUNTS FROM INPUT PCB



SWITCH/LED PCB MOUNTS FROM INPUT PCB



POLARITY SWITCH



SOLDER SWITCH

DUAL-5

LIMITER CONTROL PROCESSING

TH BUS	DEG	LM19	HPR
0C	-1.5V	10.14	
25C	-1.50	8.98	
55C	-1.20	6.76	
65C	-1.07	6.02	
75C	-0.97	5.46	- LIMIT
83C	-0.88	5.00	- MUTE
85C	-0.86	4.84	
95C	-0.75	4.22	

CLIP PRODUCES ABOUT 15ma LED CURRENT
LIMIT PRODUCES ABOUT 3ma LED CURRENT

DISPLAYS LIMITING

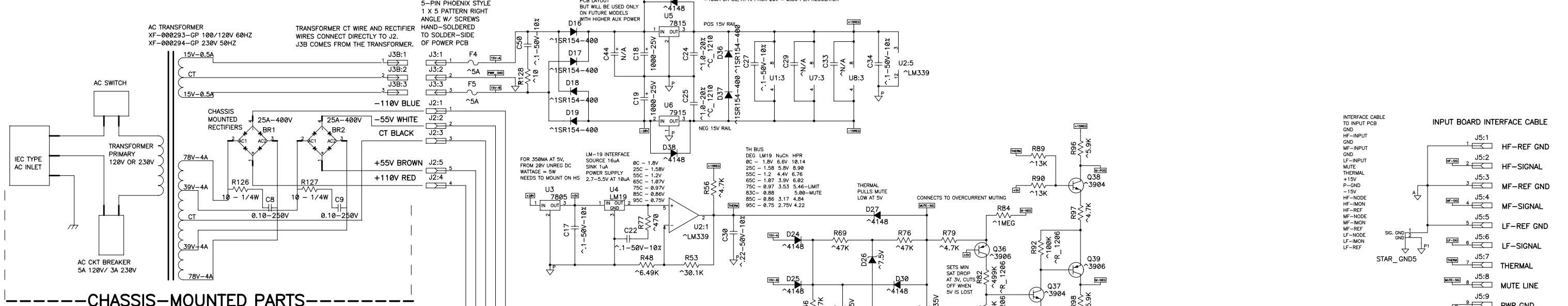
SET CLIP THRESHOLD ON MAIN BOARD FOR APPROX 2.5V PEAK, APPROX 2K-OHM

DO NOT GROUND UNUSED PINS

TH BUS

TH BUS

THIS DOCUMENT CONTAINS PROPRIETARY INFORMATION WHICH IS THE PROPERTY OF QSC AUDIO PRODUCTS. THAT MAY NOT BE DISCLOSED, REPRODUCED OR USED WITHOUT EXPRESS WRITTEN CONSENT FROM QSC AUDIO PRODUCTS.



CHASSIS-MOUNTED PARTS

LOW-FREQ AMP, CLASS B
OUTPUT BIAS APPROX 50mV

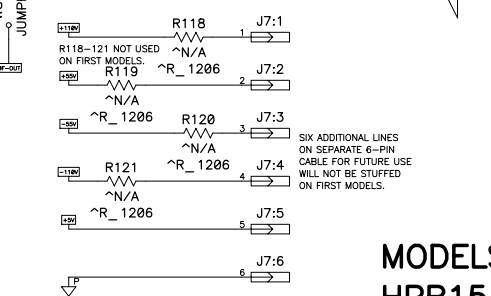
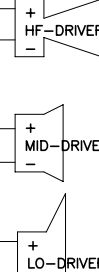
MID-FREQ AMP,
OUTPUTS ONLY
USED FOR
4 OHM LOAD

HI-FREQ AMP,
OUTPUTS ONLY
USED FOR
4 OHM LOAD

STAR GROUND
SHOULD BE AT
POWER SUPPLY
CENTER, BTWN
C14 & C15

EXTRA IMON RES
USED ONLY ON
800W SUB
MODULE

2-PIN PHOENIX STYLE
1 X 2 PATTERN
HAND-SOLDERED
TO SOLDER-SIDE
OF POWER PCB



MODELS:
HPR151i
HPR181i

TRANSISTOR POWER-GAIN CALCULATIONS:
TARGET, 400W-8 OHMS, = 80V, 18A NOM, 14A PK
RAILS, 85V LOADED AT 78V, 109V NOM, 125V HI-LINE
XIST PWR, 50W, 6R = 416W/4 = 104W PK
OUTPUT CURRENT, 14A PEAK, BETA = 70, IB = 0.2
---BASE CURRENT, APPROX 160-400MA (200MA * R)
---BASE SHUNT, 47 OHM 1.2V, 25MA
DRIVER CURRENT 180-420MA
---DRIVER BASE, 1-5MA, 1.5V PK
---DRIVER BASE RES, 1K, 1.9MA PK
CASCODE INPUT CURRENT, 6MA PEAK
---W = 70V-85MA-50V = 210MW MAX

TO LF SIGNAL SH 1
SET LEVEL APPROX
2 VOLTS PEAK

SET CLIP
DIVIDER
FOR 2.5V
PEAK AT
ONSET OF
CLIPPING

SHORT CIRCUIT DUTY-CYCLE PROTECTION
WHEN SHORTED, POSITIVE IMON REACHES 700-800mV, DRIVES Q1
WHOSE EMITTER RES LIMITS CURR TO 50-100UA. IN 10-20MS, THIS
PULLS 0.1UF CAPACITOR BELOW 5V REF. COMPARATOR GOES LOW,
DISCHARGES MUTE CAP BY IV. THE 0.1UF CAPACITOR ENFORCE'S
APPROX 10MS ONE-SHOT DISCHARGE TIME. MUTE CAP RESETS IN 2 SEC.
TO AVOID TICKLING MUTE THRU ONE-SHOT CAP, C-MUTE >200 C9.
WHEN AMP IS RUNNING INTO NORMAL LOAD, +20V OUTPUT APPLIES +0.4V
TO EMITTER OF Q1, BLANKING IMON SIGNALS.

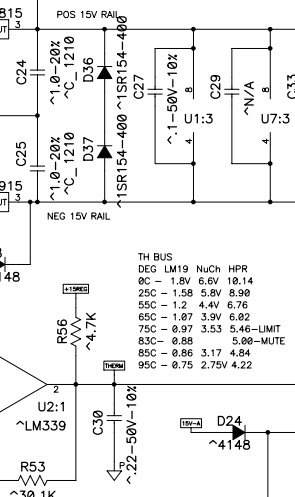
THIS SCHEME SHOULD BE OK
WITH REACTIVE LOAD CURRENTS
OF LESS THAN 70A, OR IF DUTY
CYCLE IS LESS THAN 5%.

OUTPUT FUSE SCHEDULE
SUB,
400W MAX-4 OHM = 10A
FAULT CURRENT = 20A
2-WAY AND 3-WAY
200W MAX, LF, 8R = 5A,
FAULT CURRENT = 10A
50W MAX, MF-HF 8R = 2.5A
FAULT CURRENT = 5A

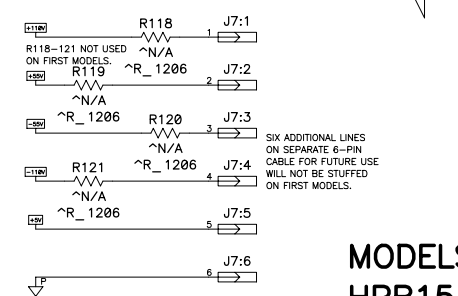
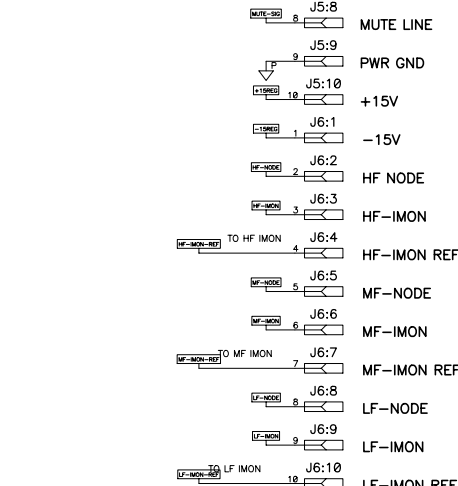
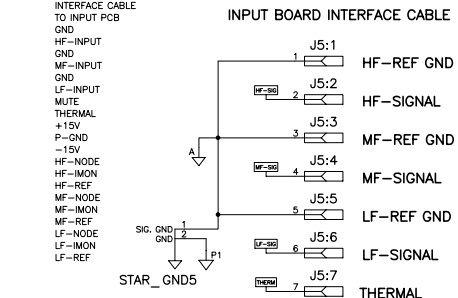
STAR GROUND
SHOULD BE AT
POWER SUPPLY
CENTER, BTWN
C14 & C15

EXTRA IMON RES
USED ONLY ON
800W SUB
MODULE

RAIL CURRENT REQUIREMENTS.
10 TL-072 OPAMP SECTIONS AT 2MA = 20MA
5532 AT 10MA, PLUS DRIVE CURRENTS 18MA
=40MA OR SO, AT APPROX 20V = 0.8W PER REGULATOR



APPROX 1.5 SEC-ON, 40MS-OFF
MIN RUN VOLTAGE APPROX 5V!



NOTES: UNLESS OTHERWISE SPECIFIED

SIZE D	FSCM NO.	DWG NO. SH-151001-00	REV A
SCALE	CAD FILE NO.	SHEET 1	

Part Number	Description	Qty	Ref Des
CA-015005-GP	15PF, 5 PCNT, 50V, CERAMIC, 0805,	5	C48, C544, C545, C546, C547
CA-033003-GP	33PF, 5%, 50V, CC, 0805, 1.2X	2	C11, C12
CA-110005-GP	CC 50V 100PF 5% 0805 1.2	1	C548
CA-110007-GP	100P, 5%, 100V, CTC, 0805, 0/30	1	C49
CA-122005-GP	CC 50V 220PF 5% 0805	3	C45, C522, C6
CA-147006-GP	470PF 5% 50V CER NPO	4	C501, C502, C503, C504
CA-233009-GP	3300P, 5%, 100V, CTC, 1206, 0/30	1	C4
CA-347007-GP	.047UF, 5 PCNT, 63V, CM, RBT,	1	C538
CA-368006-GP	.068UF, 5 PCNT, 50V, FILM, ,	1	C533
CA-382001-GP	0.082U, 5%, 63V, CM, , RBT, 7.5	3	C517, C518, C519
CA-410014-GP	0.1UF 10% 50V CER X7R 0805	15	C17, C22, C27, C34, C50, C523, C526, C528, C531, C532, C534, C535, C539, C540, C7
CA-410018-GP	CM 250V .1UF 5% RL	2	C8, C9
CA-415004-GP	0.15U, 5%, 63V, CM, , RBT, 7.5X	3	C521, C524, C525
CA-415006-GP	.15UF, 5 PCNT, 200V, CC, 1210,	1	C2
CA-422010-GP	0.22U, 10%, 50V, CC, 0805,	2	C10, C30
CA-422011-GP	0.22U, 5%, 63V, CM, , RBT, 7.5X	14	C505, C506, C507, C508, C509, C510, C511, C512, C513, C514, C515, C516, C529, C536
CA-510017-GP	1UF, 20 PCNT, 50V, CC, SMT, 1210	2	C24, C25
CA-610009-GP	CE 35V 10UF 20% RL 5 X 11	1	C35
CA-622010-GP	22UF, 20%, 35V, CE, , RLT, 5x11	1	C36
CA-647006-GP	CE 16NP 47UF 20% RL	4	C1, C520, C527, C537
CA-710013-GP	100U, 20%, 25V, CE, , 5X11, RLT	1	C530
CA-747009-GP	470UF, 20%, 16V, CE, , RLT	2	C542, C543
CA-810007-GP	1000UF, 20%, 25V, CE, , RLT	2	C18, C19
CA-912001-GP	12000UF, 20 PCNT, 63V, CE, RL, ,	4	C13, C14, C15, C16
CH-000173-GP	COVER, XFMR, STEEL, LARGE	1	
CH-000489-GP	PLATE-SPRING STEEL, , , ,	5	
CH-000490-GP	HEATSINK, 381X189.2X38.1, , HPR,	1	
CH-000549-GP	PANEL, INPUT, , HPR181i,	1	
CH-000550-GP	PANEL, AC, , HPRi,	1	
CO-000058-GP	XLR, CONNECTOR, 3PM, , ,	4	J501, J502, J505, J506
CO-000204-GP	CONN XLR F VERT PLASTIC	2	J503, J504
CO-000211-GP	AC INLET 250V 15A	1	
CO-000213-GP	CONN 2 PIN STRAIGHT WAFER	1	J509A
CO-000214-GP	CONN 3 PIN STRAIGHT WAFER	1	J3
CO-000347-GP	TERMINAL BLOCK, 5MM, 5POS(1X5), FEMALE, RIGHT ANGLE	1	J2
CO-000349-GP	WIRE HOLDER, RIBBON CABLE, 10 POS, FEMALE,	3	J507, J508B, J510
CO-000350-GP	WIRE TRAP, RIBBON CABLE, 10 POS, FEMALE, RELEASEABLE	3	J5, J508A, J6
CO-000352-GP	TERMINAL BLOCK, 5MM, 2POS (1X2), FEMALE, RIGHT	1	J4
HW-000075-GP	FUSE HOLDER, , , , ,	2	F1
HW-000102-GP	BRASS POST, D6X10, , , , ,	3	
IC-000075-GP	IC VOLTAGE REG, +5, LM78L05, SMT,	1	U509
IC-000076-GP	IC LM339, SMD COMPARATORS, , ,	1	U2
IC-000077-GP	IC LM13700M, , , SMT,	1	U506
IC-000078-GP	IC LM19, THERMAL SENSOR, , TO-92,	1	U4
IC-000079-GP	IC MC33078, OP-AMP, , SMT,	2	U1, U502
IC-000377-GP	IC 7805, REGULATOR, 5V, ,	1	U3
IC-000378-GP	IC LM7915CT, REGULATOR, -15V, ,	1	U6
IC-000379-GP	IC LM7815CT, REGULATOR, 15V, ,	1	U5
IC-000380-GP	IC TL072, OPAMP, DUAL, SO-8,	4	U501, U504, U505, U508
IC-000381-GP	IC TL074CD-SO14, OPAMP, QUAD, SO-14,	2	U503, U507
LB-000530-GP	PC INLAY, WARNING LABEL, , ,	1	
MS-000073-GP	FUSE, FAST, ACTING 5A, SMT, 1206,	2	F4, F5
MS-000293-GP	10A FUSE, QUICK-ACTING, , ,	1	F1
NW-000070-GP	M3, NUT, , , , ,	3	
NW-000072-GP	NUT, HEX, M4, , ,	1	
NW-040002-GP	SPRING WASHER M4 X 7	1	
NW-040003-GP	I/T WASHER M4X0.4X8, YZ	1	
PC-122001-00	PCB, MAIN, HPR122i, , ,	1	
PC-151002-00	PCB, INPUT, HPR151i, , ,	1	
PL-000066-GP	EVA GASKET, 5X500, , , ,	3	
PL-000152-GP	CABLE TIE, ISA	4	
PL-000327-GP	PAD, XFMR, EPDM 40A, 1/8" THK, BLACK,	2	
PL-000391-GP	KNOB, GAIN, HPR SERIES, , ,	1	
PL-000454-GP	INSULATION SHEET IC, , , SILPAD 800, ,	5	
PL-000455-GP	LED HOLDER, LED3-11, , , , ,	3	LD501-1, LD502-1, LD503-1
PL-000456-GP	SPRINGSEAT, TRANSISTOR, HPR, NYLON, ,	15	
PL-000457-GP	SPACER, L=4.0, ELM 3, , , ,	1	U4
PL-000458-GP	SPONGE CUSHION, , , , ,	2	
PT-110002-GP	TRIM, 100, 20 PCNT, 0.15W, ,	1	VR1
PT-250003-GP	VR 5K, XV812111YNPVB25F, , , ,	1	VR501
QD-000201-GP	DIODE LL4148 SM	19	D10, D11, D12, D20, D24, D25, D27, D30, D38, D501, D502, D503, D504, D505, D506, D507, D508, D509, D8
QD-000204-GP	XISTOR NPN 60V 200MA 3904 SOT-23	11	Q11, Q16, Q2, Q3, Q37, Q38, Q503, Q504, Q505, Q507, Q6
QD-000205-GP	XISTOR PNP 40V 0.2A TR3906 SOT-23	10	Q1, Q10, Q17, Q19, Q36, Q39, Q501, Q502, Q506, Q7
QD-000206-GP	DIOD RECT FAST, IN4934 AT	4	D1, D2, D4, D5
QD-000208-GP	XISTOR PNP 230V 15A 2SA1943	4	Q12, Q14, Q34, Q51
QD-000209-GP	XISTOR NPN 230V 15A 2SC5200	4	Q13, Q15, Q35, Q52
QD-000227-GP	BRIDGE RECT 400V 25A	2	BR1, BR2
QD-000260-GP	MOSFET, N-CH, 60V, 52A, 52N06V	2	Q21, Q22

Part Number	Description	Qty	Ref Des
QD-000300-GP	LED SC, 2.9 X 5.4 XL 0.5 BL, , , , ,	1	LD502
QD-000301-GP	LED, 3MM, GREEN SP, , , , ,	1	LD503
QD-000302-GP	LED SP, 2.9 X 5.4 XL 0.5 RED, , , , ,	1	LD501
QD-000303-GP	DIODE, BAV21WS 250V, , , , ,	3	D3, D6, D9
QD-000304-GP	DIODE, MUR810 RL 8A, , , , ,	2	D13, D15
QD-000305-GP	DZ 1/2W, 6.2VB RLZ6.2B, , , , SMT,	2	D14, D7
QD-000306-GP	DZ 1/2W, 7.5VB RLZ7.5B LL, , , , SMT,	1	D26
QD-000307-GP	SMD DIODE, ISR154-400, , , , ,	6	D16, D17, D18, D19, D36, D37
QD-000308-GP	TR MMBTA42 NPN SMD, , , , , SOT-23,	2	Q20, Q5
QD-000309-GP	TR 2SA1837, 100-320 RL, , , , ,	1	Q4
QD-000310-GP	TR 2SC4793, 100-320-RL, , , , ,	1	Q9
QD-000311-GP	TR MMBTA92 SOT 23 KEC, , , , ,	2	Q18, Q8
RE-01002-GP	0.1R, 5 PCNT, 2W, RMF, ATS METAL,	12	R111, R114, R25, R26, R27, R28, R29, R30, R41, R42, R70, R73
RE-82001-GP	8.2 OHM, 1W, 5 PCNT, AT, RMF,	1	R6
RE-000003-GP	RMG 1/10W 0 OHM 5% 0805	4	R530, R545, R550, R551
RE-001009-GP	10 1% 1/8W THK FLM 1206	2	R584, R585
RE-001012-GP	100HM, 1/4W, 1%, AT, RMF,	2	R126, R127
RE-001013-GP	10, 1 PCNT, 1/10W, THICK FILM, 0805,	1	R128
RE-004753-GP	RMG 1/10W 47.5 OHM 1% 0805	4	R21, R22, R23, R24
RE-010011-GP	100 1% 1/10W THK FLM 0805 100V	13	R14, R15, R19, R20, R502, R503, R504, R505, R537, R538, R558, R559, R576
RE-015008-GP	150, 1 PCNT, 1/10W, THICK FILM, 0805,	1	R587
RE-033001-GP	330 OHM, 1 PCNT, 1/10W, RMG, 0805,	2	R531, R532
RE-034801-GP	348R, 1 PCNT, 1/10W, RMG, 0805,	1	R8
RE-047012-GP	470, 1 PCNT, 1/10W, THICK FILM, 0805,	1	R77
RE-063405-GP	634 OHMS 1% 1/10W 0805	1	R567
RE-091002-GP	910R, 1 PCNT, 1/10W, RMG, 0805,	6	R11, R12, R123, R17, R18, R9
RE-110702-GP	1.07K, 1 PCNT, 1/10W, RMG, 0805,	2	R575, R578
RE-112001-GP	RMG 1/10W 1.2K 1% 0805	3	R510, R516, R517
RE-115008-GP	1.5K, 1 PCNT, 1/10W, THK FLM, 0805, 100V	1	R543
RE-120004-GP	RMG 1/10W 2K 1% 0805	1	R566
RE-122010-GP	2.2K 1% 1/10W THK FM 0805 100V	1	R16
RE-124001-GP	2.4K, 1 PCNT, 1/10W, RMG, 0805,	2	R2, R35
RE-130103-GP	RMG 1/10W 3.01K 1% 0805	1	R33
RE-139006-GP	3.9K, 1 PCNT, 1/10W, THICK FILM, 0805,	6	R535, R540, R541, R552, R560, R579
RE-143202-GP	4.32K, 1 PCNT, 1/10W, RMG, 0805,	1	R557
RE-147002-GP	4.7K 1% 1/10W THK FLM 0805	5	R39, R56, R66, R79, R97
RE-151006-GP	5.1K, 1 PCNT, 1/10W, THICK FILM, 0805,	6	R522, R523, R528, R529, R588, R589
RE-152302-GP	5.23K, 1 PCNT, 1/10W, THICK FILM, 0805,	1	R573
RE-159003-GP	5.9K 1% 1/10W THK FLM 0805	2	R96, R98
RE-164901-GP	6.49K, 1 PCNT, 1/10W, RMG, 0805,	1	R48
RE-169802-GP	6.98K, 1 PCNT, 1/10W, THK FLM, 0805, 100V	1	R546
RE-182007-GP	8.2K, 1 PCNT, 1/10W, THICK FILM, 0805,	2	R533, R577
RE-191001-GP	9.1K, 1 PCNT, 1/10W, RMG, 0805,	2	R525, R562
RE-210007-GP	10K 1% 1/10W THK FLM 0805	10	R1, R122, R3, R520, R521, R526, R527, R565, R572, R582
RE-211305-GP	11.3K .1% 1/10W RMG 0805	8	R506, R507, R508, R509, R512, R513, R514, R515
RE-212003-GP	12K 1% 1/10W THK FLM 0805 100V	1	R7
RE-212004-GP	12K, 1 PCNT, 1/8W, THICK FILM, 1206,	1	R586
RE-212703-GP	12.7K, 1 PCNT, 1/10W, THICK FILM, 0805,	2	R501, R511
RE-213005-GP	13K, 1 PCNT, 1/10W, RMG, 0805,	3	R36, R89, R90
RE-215003-GP	15K, 1 PCNT, 1/10W, RMG, 0805,	1	R518
RE-218006-GP	18K, 1 PCNT, 1/10W, THICK FILM, 0805,	2	R564, R580
RE-218702-GP	18.7K, 1 PCNT, 1/10W, THICK FILM, 0805,	2	
RE-220005-GP	RMG 1/10W 20K 1% 0805	2	R539, R556
RE-220006-GP	20K, 1 PCNT, 1/10W, THICK FILM, 1206,	1	R38
RE-222001-GP	22K 1% 1/10W 0805	4	R32, R34, R37, R568
RE-226101-GP	26.1K, 1 PCNT, 1/10W, RMG, 0805,	1	R4
RE-227001-GP	27K 1% 1/10W 0805	1	R571
RE-230006-GP	30K, 1 PCNT, 1/10W, THICK FILM, 0805,	1	R519
RE-230104-GP	30.1K 1% 1/8W RMG 1206	2	R40, R5
RE-230105-GP	30.1K, 1 PCNT, 1/10W, THICK FILM, 0805,	1	R53
RE-236001-GP	36K, 1 PCNT, 1/10W, RMG, 0805,	1	R544
RE-239204-GP	39.2K, 1 PCNT, 1/10W, THICK FILM, 0805,	3	R555, R570, R581
RE-243001-GP	43K, 1 PCNT, 1/10W, RMG, 0805,	1	R524
RE-247006-GP	47K 1% 1/10W THK FLM 0805 100V	3	R554, R69, R76
RE-251001-GP	51K, 1 PCNT, 1/10W, RMG, 0805,	1	R563
RE-291001-GP	91K, 1 PCNT, 1/10W, RMG, 0805,	1	R583
RE-310007-GP	100K 1% 1/10W THK FLM 0805	2	R569, R574
RE-310008-GP	100K 1% 1/8W THK FLM 1206	4	R10, R31, R83, R92
RE-315006-GP	150K, 1 PCNT, 1/10W, THICK FILM, 0805,	2	R536, R553
RE-320006-GP	200K, 1 PCNT, 1/10W, THICK FILM, 0805,	1	R590
RE-349901-GP	499K 1% 1/8W THICK FILM 1206	1	R82
RE-410003-GP	1M 1% 1/10W RMG 0805	4	R13, R55, R84, R99
SC-000081-GP	T3X8MM, SELF TAPPING, , , ,	6	
SC-000082-GP	SCREW, BIND, HEAD, M3.2 X 8, , B-TITE,	6	
SC-000083-GP	SCREW, BIND, HEAD, M3.5 X 16, , B-TITE,	10	
SC-000084-GP	SCREW, BIND, SERRATED HEAD, M4X25, B-TITE,	4	
SC-000085-GP	SELF SCREW, 3X8, WITH, SERRATED HEAD, , ,	6	
SC-000086-GP	SCREW, M8X101.5, BZ, , , ,	1	

Part Number	Description	Qty	Ref Des
SC-030002-GP	M3 B-TITE FLAT-CS	2	
SC-030004-GP	M3 X 8 BLK MACHINE	5	
SC-040001-GP	SCREW M4-18 X 10MM, BLK ZN	2	
SW-000088-GP	ROCKER POWER SWITCH	1	
SW-000093-GP	CIRCUIT BREAKER, 5 AMP, .	1	
SW-000122-GP	SWITCH, 1P2T, .	1	SW502
SW-000123-GP	SWITCH, 2P2T, .	1	SW501
WC-000188-GP	SLEEVE, PVC, 5MM ID, BLK	1	
WC-000339-GP	JUMPER, BARE, 18GA, SOLID, HPR, .	8	W1, W2, W3, W4, W5, W6, W7, W8
WC-000410-GP	UL1672, AWG#18, BROWN,	1	
WC-000411-GP	UL1672, AWG#18, BLUE,	1	
WC-000412-GP	GRND WIRE, UL1015 #14,	1	
WC-000413-GP	WIRE-FLAT, 10P P1.5 #26,	3	J507, J508B, J510
WC-000423-GP	SHRINKAGE TUBE, ID=6MM, UL,	7	
XF-000293-GP	POWER TRANSFORMER, 120V, . . . , HPR SERIES, .	1	

Part Number	Description	Qty	Ref Des
CA-015005-GP	15PF, 5 PCNT, 50V, CERAMIC, 0805,	5	C48, C544, C545, C546, C547
CA-033003-GP	33PF, 5%, 50V, CC, 0805, 1.2X	2	C11, C12
CA-110005-GP	CC 50V 100PF 5% 0805 1.2	1	C548
CA-110007-GP	100P, 5%, 100V, CTC, 0805, 0/30	1	C49
CA-122005-GP	CC 50V 220PF 5% 0805	3	C45, C522, C6
CA-147006-GP	470PF 5% 50V CER NPO	4	C501, C502, C503, C504
CA-233009-GP	3300P, 5%, 100V, CTC, 1206, 0/30	1	C4
CA-347007-GP	.047UF, 5 PCNT, 63V, CM, RBT,	1	C538
CA-368006-GP	.068UF, 5 PCNT, 50V, FILM, ,	1	C533
CA-382001-GP	0.082U, 5%, 63V, CM, , RBT, 7.5	3	C517, C518, C519
CA-410014-GP	0.1UF 10% 50V CER X7R 0805	15	C17, C22, C27, C34, C50, C523, C526, C528, C531, C532, C534, C535, C539, C540, C7
CA-410018-GP	CM 250V .1UF 5% RL	2	C8, C9
CA-415004-GP	0.15U, 5%, 63V, CM, , RBT, 7.5X	3	C521, C524, C525
CA-415006-GP	.15UF, 5 PCNT, 200V, CC, 1210,	1	C2
CA-422010-GP	0.22U, 10%, 50V, CC, 0805,	2	C10, C30
CA-422011-GP	0.22U, 5%, 63V, CM, , RBT, 7.5X	14	C505, C506, C507, C508, C509, C510, C511, C512, C513, C514, C515, C516, C529, C536
CA-510017-GP	1UF, 20 PCNT, 50V, CC, SMT, 1210	2	C24, C25
CA-610009-GP	CE 35V 10UF 20% RL 5 X 11	1	C35
CA-622010-GP	22UF, 20%, 35V, CE, , RLT, 5x11	1	C36
CA-647006-GP	CE 16NP 47UF 20% RL	4	C1, C520, C527, C537
CA-710013-GP	100U, 20%, 25V, CE, , 5X11, RLT	1	C530
CA-747009-GP	470UF, 20%, 16V, CE, , RLT	2	C542, C543
CA-810007-GP	1000UF, 20%, 25V, CE, , RLT	2	C18, C19
CA-912001-GP	12000UF, 20 PCNT, 63V, CE, RL, ,	4	C13, C14, C15, C16
CH-000173-GP	COVER, XFMR, STEEL, LARGE	1	
CH-000489-GP	PLATE-SPRING STEEL, , , ,	5	
CH-000490-GP	HEATSINK, 381X189.2X38.1, , HPR,	1	
CH-000549-GP	PANEL, INPUT, , HPR181i,	1	
CH-000550-GP	PANEL, AC, , HPRi,	1	
CO-000058-GP	XLR, CONNECTOR, 3PM, , ,	4	J501, J502, J505, J506
CO-000204-GP	CONN XLR F VERT PLASTIC	2	J503, J504
CO-000211-GP	AC INLET 250V 15A	1	
CO-000213-GP	CONN 2 PIN STRAIGHT WAFER	1	J509A
CO-000214-GP	CONN 3 PIN STRAIGHT WAFER	1	J3
CO-000347-GP	TERMINAL BLOCK, 5MM, 5POS(1X5), FEMALE, RIGHT ANGLE	1	J2
CO-000349-GP	WIRE HOLDER, RIBBON CABLE, 10 POS, FEMALE,	3	J507, J508B, J510
CO-000350-GP	WIRE TRAP, RIBBON CABLE, 10 POS, FEMALE, RELEASEABLE	3	J5, J508A, J6
CO-000352-GP	TERMINAL BLOCK, 5MM, 2POS (1X2), FEMALE, RIGHT	1	J4
HW-000075-GP	FUSE HOLDER, , , , ,	2	F1
HW-000102-GP	BRASS POST, D6X10, , , ,	3	
IC-000075-GP	IC VOLTAGE REG, +5, LM78L05, SMT,	1	U509
IC-000076-GP	IC LM339, SMD COMPARATORS, , ,	1	U2
IC-000077-GP	IC LM13700M, , , SMT,	1	U506
IC-000078-GP	IC LM19, THERMAL SENSOR, , TO-92,	1	U4
IC-000079-GP	IC MC33078, OP-AMP, , SMT,	2	U1, U502
IC-000377-GP	IC 7805, REGULATOR, 5V, ,	1	U3
IC-000378-GP	IC LM7915CT, REGULATOR, -15V, ,	1	U6
IC-000379-GP	IC LM7815CT, REGULATOR, 15V, ,	1	U5
IC-000380-GP	IC TL072, OPAMP, DUAL, SO-8,	4	U501, U504, U505, U508
IC-000381-GP	IC TL074CD-SO14, OPAMP, QUAD, SO-14,	2	U503, U507
LB-000530-GP	PC INLAY, WARNING LABEL, , ,	1	
MS-000073-GP	FUSE, FAST, ACTING 5A, SMT, 1206,	2	F4, F5
MS-000293-GP	10A FUSE, QUICK-ACTING, , ,	1	F1
NW-000070-GP	M3, NUT, , , ,	3	
NW-000072-GP	NUT, HEX, M4, ,	1	
NW-040002-GP	SPRING WASHER M4 X 7	1	
NW-040003-GP	I/T WASHER M4X0.4X8, YZ	1	
PC-122001-00	PCB, MAIN, HPR122i, , ,	1	
PC-151002-00	PCB, INPUT, HPR151i, , ,	1	
PL-000066-GP	EVA GASKET, 5X500, , , ,	3	
PL-000152-GP	CABLE TIE, ISA	4	
PL-000327-GP	PAD, XFMR, EPDM 40A, 1/8" THK, BLACK,	2	
PL-000391-GP	KNOB, GAIN, HPR SERIES, , ,	1	
PL-000454-GP	INSULATION SHEET IC, , , SILPAD 800, ,	5	
PL-000455-GP	LED HOLDER, LED3-11, , , ,	3	LD501-1, LD502-1, LD503-1
PL-000456-GP	SPRINGSEAT, TRANSISTOR, HPR, NYLON, ,	15	
PL-000457-GP	SPACER, L=4.0, ELM 3, , ,	1	U4
PL-000458-GP	SPONGE CUSHION, , , , ,	2	
PT-110002-GP	TRIM, 100, 20 PCNT, 0.15W, ,	1	VR1
PT-250003-GP	VR 5K, XV812111YNPV25F, , , ,	1	VR501
QD-000201-GP	DIODE LL4148 SM	19	D10, D11, D12, D20, D24, D25, D27, D30, D38, D501, D502, D503, D504, D505, D506, D507, D508, D509, D8
QD-000204-GP	XISTOR NPN 60V 200MA 3904 SOT-23	11	Q11, Q16, Q2, Q3, Q37, Q38, Q503, Q504, Q505, Q507, Q6
QD-000205-GP	XISTOR PNP 40V 0.2A TR3906 SOT-23	10	Q1, Q10, Q17, Q19, Q36, Q39, Q501, Q502, Q506, Q7
QD-000206-GP	DIOD RECT FAST, IN4834 AT	4	D1, D2, D4, D5
QD-000208-GP	XISTOR PNP 230V 15A 2SA1943	4	Q12, Q14, Q34, Q51
QD-000209-GP	XISTOR NPN 230V 15A 2SC5200	4	Q13, Q15, Q35, Q52
QD-000227-GP	BRIDGE RECT 400V 25A	2	BR1, BR2
QD-000260-GP	MOSFET, N-CH, 60V, 52A, 52N06V	2	Q21, Q22
QD-000300-GP	LED SC, 2.9 X 5.4 XL 0.5 BL, , , , ,	1	LD502
QD-000301-GP	LED, 3MM, GREEN SP, , , , ,	1	LD503

Part Number	Description	Qty	Ref Des
QD-000302-GP	LED SP, 2.9 X 5.4 XL 0.5 RED, , , , ,	1	LD501
QD-000303-GP	DIODE, BAV21WS 250V, , , , ,	3	D3, D6, D9
QD-000304-GP	DIODE, MUR810 RL 8A, , , , ,	2	D13, D15
QD-000305-GP	DZ 1/2W, 6.2VB RLZ6.2B, , , , SMT,	2	D14, D7
QD-000306-GP	DZ 1/2W, 7.5VB RLZ7.5B LL, , , , SMT,	1	D26
QD-000307-GP	SMD DIODE, ISR154-400, , , , ,	6	D16, D17, D18, D19, D36, D37
QD-000308-GP	TR MMBT42 NPN SMD, , , , , SOT-23,	2	Q20, Q5
QD-000309-GP	TR 2SA1837, 100-320 RL, , , , ,	1	Q4
QD-000310-GP	TR 2SC4793, 100-320-RL, , , , ,	1	Q9
QD-000311-GP	TR MMBTA92 SOT 23 KEC, , , , ,	2	Q18, Q8
RE-.01002-GP	0.1R, 5 PCNT, 2W, RMF, ATS METAL,	12	R111, R114, R25, R26, R27, R28, R29, R30, R41, R42, R70, R73
RE-.82001-GP	8.2 OHM, 1W, 5 PCNT, AT, RMF,	1	R6
RE-000003-GP	RMG 1/10W 0 OHM 5% 0805	4	R530, R545, R550, R551
RE-001009-GP	10 1% 1/8W THK FLM 1206	2	R584, R585
RE-001012-GP	10OHM, 1/4W, 1%, AT, RMF,	2	R126, R127
RE-001013-GP	10, 1 PCNT, 1/10W, THICK FILM, 0805,	1	R128
RE-004753-GP	RMG 1/10W 47.5 OHM 1% 0805	4	R21, R22, R23, R24
RE-010011-GP	100 1% 1/10W THK FLM 0805 100V	13	R14, R15, R19, R20, R502, R503, R504, R505, R537, R538, R558, R559, R576
RE-015008-GP	150, 1 PCNT, 1/10W, THICK FILM, 0805,	1	R587
RE-033001-GP	330 OHM, 1 PCNT, 1/10W, RMG, 0805,	2	R531, R532
RE-034801-GP	348R, 1 PCNT, 1/10W, RMG, 0805,	1	R8
RE-047012-GP	470, 1 PCNT, 1/10W, THICK FILM, 0805,	1	R77
RE-063405-GP	634 OHMS 1% 1/10W 0805	1	R567
RE-091002-GP	910R, 1 PCNT, 1/10W, RMG, 0805,	6	R11, R12, R123, R17, R18, R9
RE-110702-GP	1.07K, 1 PCNT, 1/10W, RMG, 0805,	2	R575, R578
RE-112001-GP	RMG 1/10W 1.2K 1% 0805	3	R510, R516, R517
RE-115008-GP	1.5K, 1 PCNT, 1/10W, THK FLM, 0805, 100V	1	R543
RE-120004-GP	RMG 1/10W 2K 1% 0805	1	R566
RE-122010-GP	2.2K 1% 1/10W THK FM 0805 100V	1	R16
RE-124001-GP	2.4K, 1 PCNT, 1/10W, RMG, 0805,	2	R2, R35
RE-130103-GP	RMG 1/10W 3.01K 1% 0805	1	R33
RE-139006-GP	3.9K, 1 PCNT, 1/10W, THICK FILM, 0805,	6	R535, R540, R541, R552, R560, R579
RE-143202-GP	4.32K, 1 PCNT, 1/10W, RMG, 0805,	1	R557
RE-147002-GP	4.7K 1% 1/10W THK FLM 0805	5	R39, R56, R66, R79, R97
RE-151006-GP	5.1K, 1 PCNT, 1/10W, THICK FILM, 0805,	6	R522, R523, R528, R529, R588, R589
RE-152302-GP	5.23K, 1 PCNT, 1/10W, THICK FILM, 0805,	1	R573
RE-159003-GP	5.9K 1% 1/10W THK FLM 0805	2	R96, R98
RE-164901-GP	6.49K, 1 PCNT, 1/10W, RMG, 0805,	1	R48
RE-169802-GP	6.98K, 1 PCNT, 1/10W, THK FLM, 0805, 100V	1	R546
RE-182007-GP	8.2K, 1 PCNT, 1/10W, THICK FILM, 0805,	2	R533, R577
RE-191001-GP	9.1K, 1 PCNT, 1/10W, RMG, 0805,	2	R525, R562
RE-210007-GP	10K 1% 1/10W THK FLM 0805	10	R1, R122, R3, R520, R521, R526, R527, R565, R572, R582
RE-211305-GP	11.3K .1% 1/10W RMG 0805	8	R506, R507, R508, R509, R512, R513, R514, R515
RE-212003-GP	12K 1% 1/10W THK FLM 0805 100V	1	R7
RE-212004-GP	12K, 1 PCNT, 1/8W, THICK FILM, 1206,	1	R586
RE-212703-GP	12.7K, 1 PCNT, 1/10W, THICK FILM, 0805,	2	R501, R511
RE-213005-GP	13K, 1 PCNT, 1/10W, RMG, 0805,	3	R36, R89, R90
RE-215003-GP	15K, 1 PCNT, 1/10W, RMG, 0805,	1	R518
RE-218006-GP	18K, 1 PCNT, 1/10W, THICK FILM, 0805,	2	R564, R580
RE-218702-GP	18.7K, 1 PCNT, 1/10W, THICK FILM, 0805,	2	
RE-220005-GP	RMG 1/10W 20K 1% 0805	2	R539, R556
RE-220006-GP	20K, 1 PCNT, 1/10W, THICK FILM, 1206,	1	R38
RE-222001-GP	22K 1% 1/10W 0805	4	R32, R34, R37, R568
RE-226101-GP	26.1K, 1 PCNT, 1/10W, RMG, 0805,	1	R4
RE-227001-GP	27K 1% 1/10W 0805	1	R571
RE-230006-GP	30K, 1 PCNT, 1/10W, THICK FILM, 0805,	1	R519
RE-230104-GP	30.1K 1% 1/8W RMG 1206	2	R40, R5
RE-230105-GP	30.1K, 1 PCNT, 1/10W, THICK FILM, 0805,	1	R53
RE-236001-GP	36K, 1 PCNT, 1/10W, RMG, 0805,	1	R544
RE-239204-GP	39.2K, 1 PCNT, 1/10W, THICK FILM, 0805,	3	R555, R570, R581
RE-243001-GP	43K, 1 PCNT, 1/10W, RMG, 0805,	1	R524
RE-247006-GP	47K 1% 1/10W THK FLM 0805 100V	3	R554, R69, R76
RE-251001-GP	51K, 1 PCNT, 1/10W, RMG, 0805,	1	R563
RE-291001-GP	91K, 1 PCNT, 1/10W, RMG, 0805,	1	R583
RE-310007-GP	100K 1% 1/10W THK FLM 0805	2	R569, R574
RE-310008-GP	100K 1% 1/8W THK FLM 1206	4	R10, R31, R83, R92
RE-315006-GP	150K, 1 PCNT, 1/10W, THICK FILM, 0805,	2	R536, R553
RE-320006-GP	200K, 1 PCNT, 1/10W, THICK FILM, 0805,	1	R590
RE-349901-GP	499K 1% 1/8W THICK FILM 1206	1	R82
RE-410003-GP	1M 1% 1/10W RMG 0805	4	R13, R55, R84, R99
SC-000081-GP	T3X8MM, SELF TAPPING, , , ,	6	
SC-000082-GP	SCREW, BIND, HEAD, M3.2 X 8, , B-TITE,	6	
SC-000083-GP	SCREW, BIND, HEAD, M3.5 X 16, , B-TITE,	10	
SC-000084-GP	SCREW, BIND, SERRATED HEAD, M4X25, B-TITE,	4	
SC-000085-GP	SELF SCREW, 3X8, WITH, SERRATED HEAD, , ,	6	
SC-000086-GP	SCREW, M8X101.5, BZ, , , ,	1	
SC-030002-GP	M3 B-TITE FLAT-CS	2	
SC-030004-GP	M3 X 8 BLK MACHINE	5	
SC-040001-GP	SCREW M4-18 X 10MM, BLK ZN	2	
SW-000088-GP	ROCKER POWER SWITCH	1	

Part Number	Description	Qty	Ref Des
SW-000119-GP	CIRCUIT BREAKER, 3A, 230V, HPR,	1	
SW-000122-GP	SWITCH, 1P2T, ,	1	SW502
SW-000123-GP	SWITCH, 2P2T, ,	1	SW501
WC-000188-GP	SLEEVE, PVC, 5MM ID, BLK	1	
WC-000339-GP	JUMPER, BARE, 18GA, SOLID, HPR, ,	8	W1, W2, W3, W4, W5, W6, W7, W8
WC-000410-GP	UL1672, AWG#18, BROWN, , , , ,	1	
WC-000411-GP	UL1672, AWG#18, BLUE, , , , ,	1	
WC-000412-GP	GRND WIRE, UL1015 #14, , , , ,	1	
WC-000413-GP	WIRE-FLAT, 10P P1.5 #26, , , , ,	3	J507, J508B, J510
WC-000423-GP	SHRINKAGE TUBE, ID=6MM, UL, , , , ,	7	
XF-000294-GP	POWER TRANSFORMER, 230V, , , , HPR SERIES, ,	1	