

THIS DOCUMENT CONTAINS PROPRIETARY INFORMATION WHICH IS THE PROPERTY OF QSC AUDIO PRODUCTS, THAT MAY NOT BE DISCLOSED, REPRODUCED OR USED WITHOUT EXPRESS WRITTEN CONSENT FROM QSC AUDIO PRODUCTS.

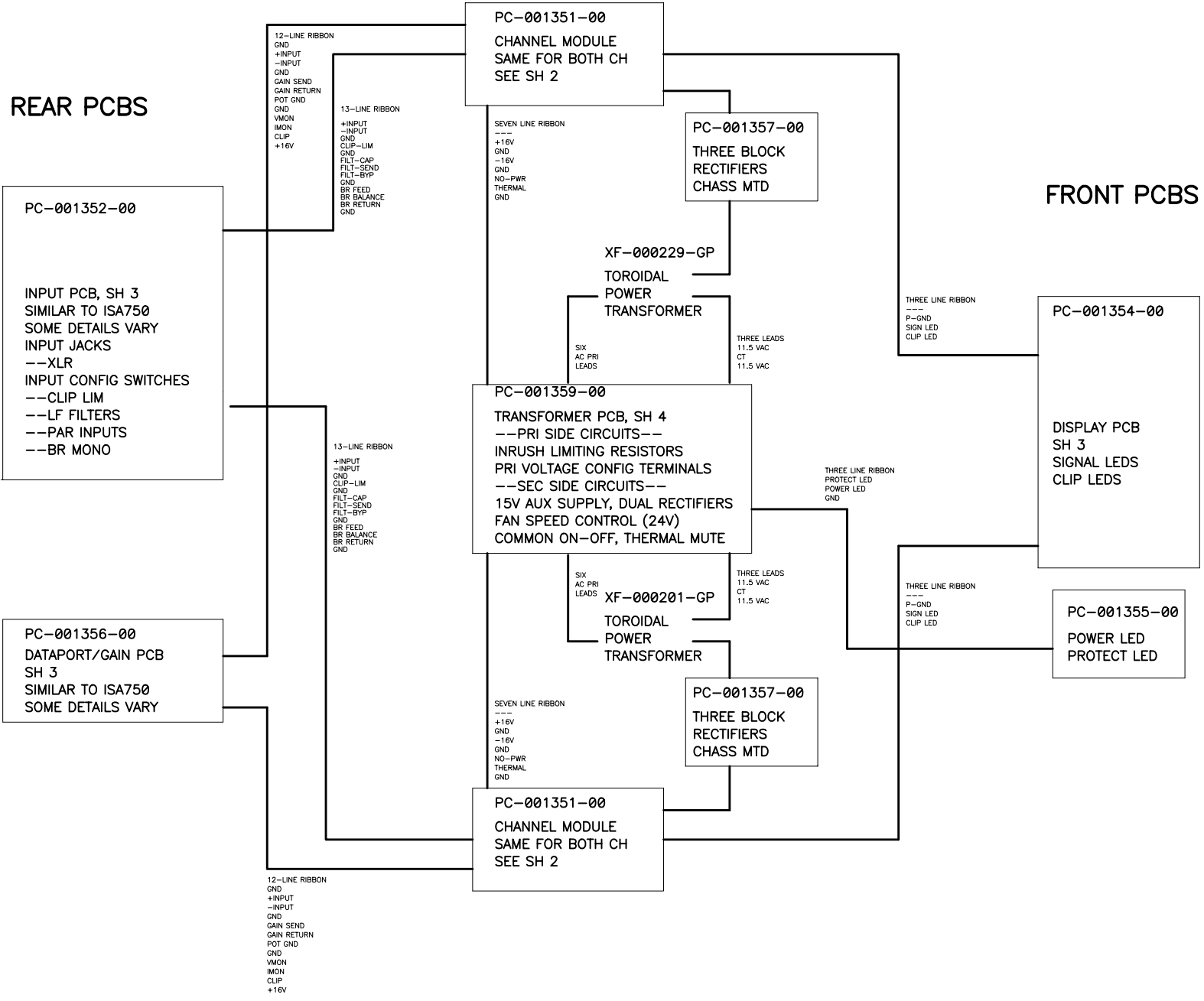
# WIRING DIAGRAM AND PCB ARRANGEMENT

REVISION				
REV	DESCRIPTION	EFF. DATE	CHK	APPROVED / DATE
A	PRODUCTION RELEASE PER ECO 6027 AA	12-19-03		DD
B	REVISED PER ECO 4976 AA	4-15-04		

## CHASSIS PCBs

## REAR PCBs

## FRONT PCBs



- 11. ZENER TOLERANCE IS 5%
- 10. SMT CAPACITOR VOLTAGE IS 50V
- 9. SMT RESISTOR WATTAGE RATING IS 0.1W UNLESS MARKED 1206, 0.2W SMT RESISTOR TOLERANCE 1%
- 8. THRU HOLE RESISTORS USED FOR 1/4W AND HIGHER. FOR RESISTOR WATTAGE RATINGS GREATER THAN 1W, TOLERANCE IS 5% FOR RESISTOR WATTAGE RATINGS LESS THAN 1/2W, TOLERANCE IS 1%
- 7. THROUGH-HOLE FILM AND CERAMIC CAPACITOR TOLERANCE IS 10%, VOLTAGE IS 100V
- 6. ELECTROLYTIC CAPACITOR TOLERANCE IS 20%
- 5. ALL RIBBON CABLES ARE CONNECTED PIN TO CORRESPONDING PIN
- 4. PART NUMBERING SCHEME PARTS IN COMMON TO BOTH CH: 1-99. CH 1 AND 2 PARTS (USES SAME PCB) 101-UP
- 3. COMPONENTS MARKED WITH  $\Delta$  ARE SAFETY CRITICAL PARTS.
- 2. COMPONENTS WITH VALUE PREFIXED WITH A "\*" REPRESENT SMT COMPONENTS.
- 1. THIS DRAWING USED IN CONJUNCTION WITH ASSEMBLY WP-001351-00

NOTES: UNLESS OTHERWISE SPECIFIED

QTY	ITEM NO.	PART NO.	DESCRIPTION	VENDOR
<b>PARTS LIST</b>				
UNLESS OTHERWISE SPECIFIED DIMENSIONS ARE IN INCHES. DIMENSIONS PER ANSI Y14.5-1982 TOLERANCES ARE:		CONTRACT NO.		
DECIMALS .xx ±	DECIMALS .xxx ±	ANGLES 0	APPROVALS	DATE
DEBURR EDGES .xxx R MAX		DRAWN I. OVERHOLT 11-20-03		
MATERIAL		CHECKED		
FINISH		ISSUED D. DELARM 01-08-03	SIZE D	FSCM NO.
DO NOT SCALE DRAWING		CAD SEED FILE NO.	SCALE NONE	CAD FILE NO. SH01351B.SCH
		Thu May 27, 2004	SHEET 1 OF 4	REV B

**QSC AUDIO PRODUCTS, INC.**  
COSTA MESA, CALIFORNIA

**SCHEMATIC DIAGRAM**  
**ISA1350**

**SH-001351-00**

B 1 SH-001351-00

THIS DOCUMENT CONTAINS PROPRIETARY INFORMATION WHICH IS THE PROPERTY OF OSC AUDIO PRODUCTS, THAT MAY NOT BE DISCLOSED, REPRODUCED OR USED WITHOUT EXPRESS WRITTEN CONSENT FROM OSC AUDIO PRODUCTS.

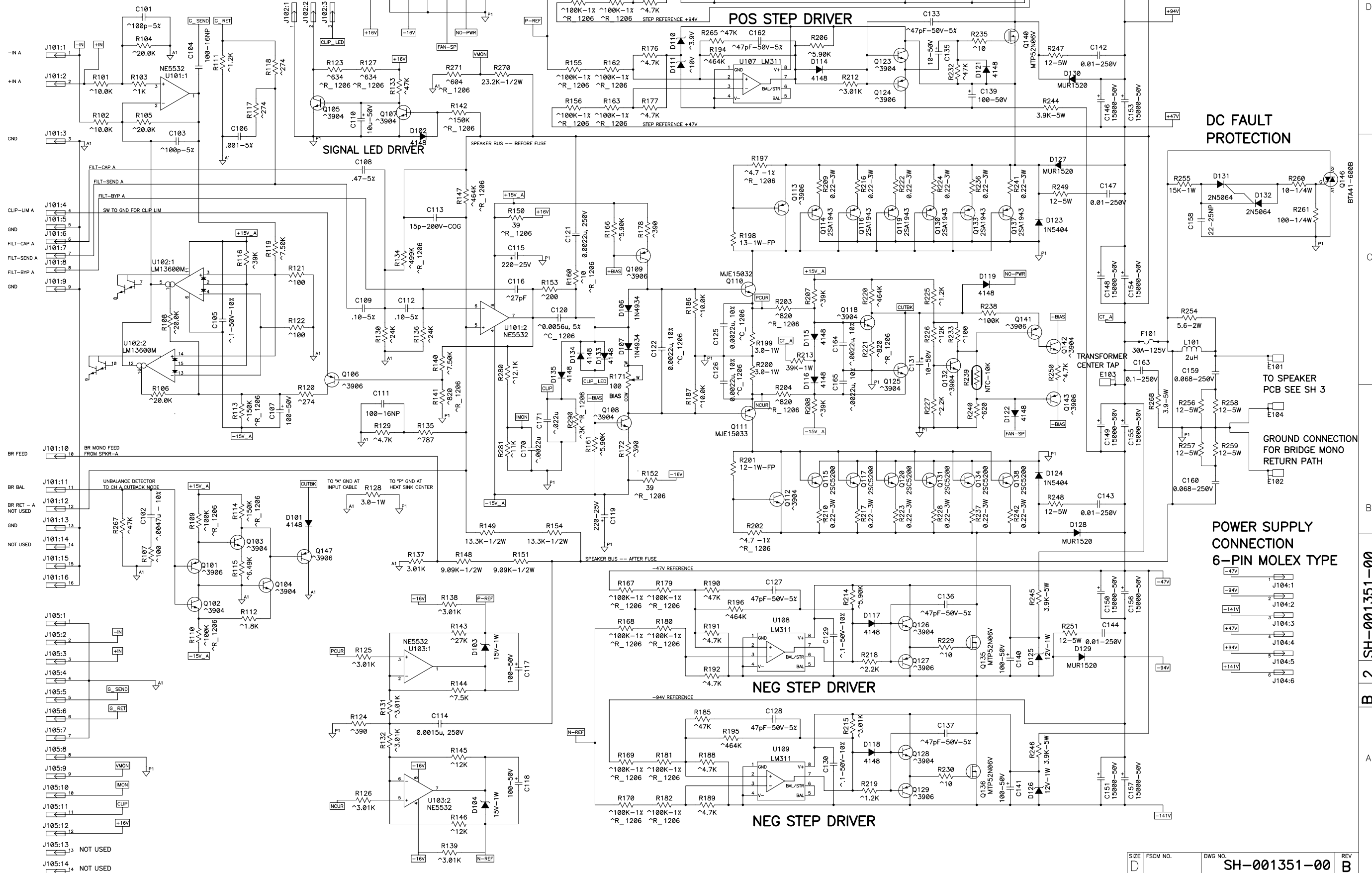
PC-001351-00

TO REAR PANEL INPUT PCB  
SEE SH 3  
16 PIN RIBBON

TO REAR PANEL DATAPORT PCB  
SEE SH 3  
14 PIN RIBBON

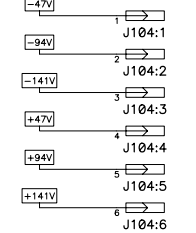
TO FRONT PANEL PCB  
SIG, CLIP LED  
SEE SH 3  
3 PIN RIBBON

TO TRANSFORMER PCB  
SEE SH 4  
7 PIN RIBBON



DC FAULT PROTECTION

POWER SUPPLY CONNECTION  
6-PIN MOLEX TYPE



NOTES: UNLESS OTHERWISE SPECIFIED

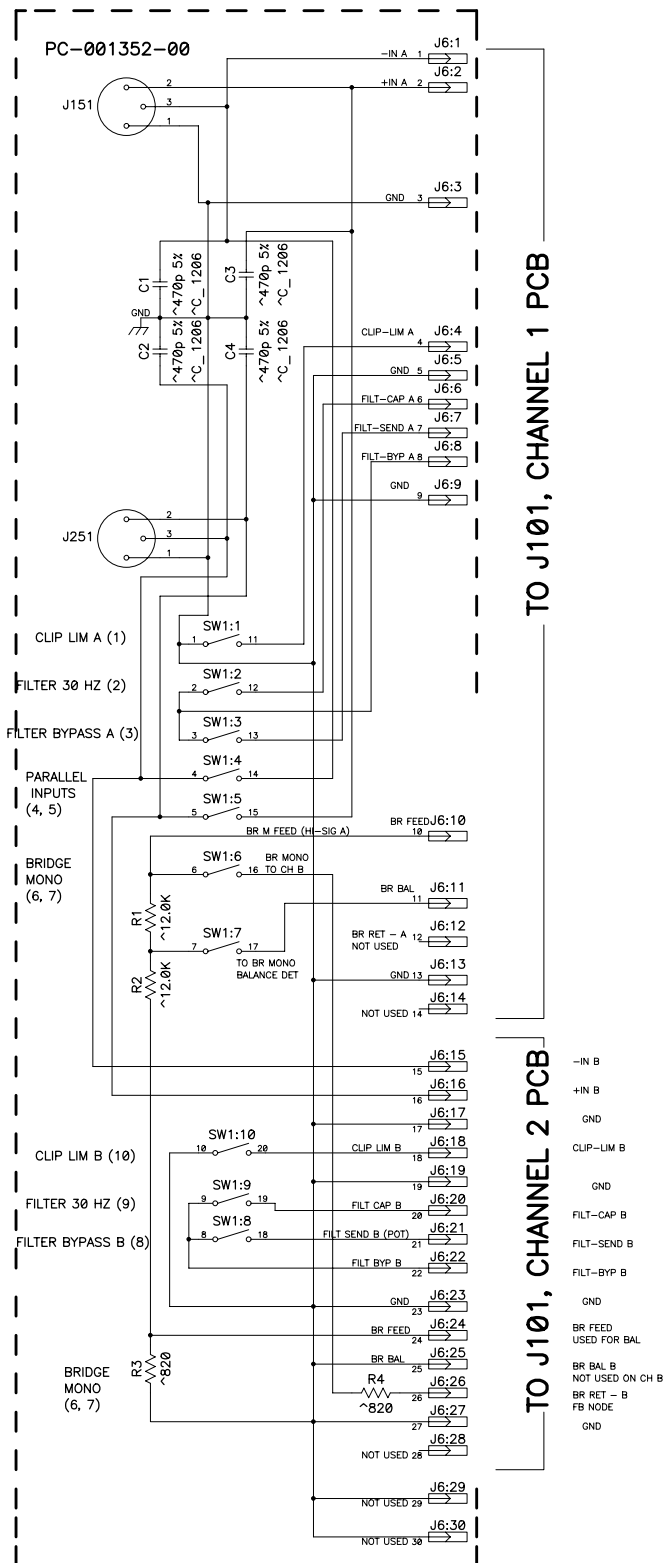
SIZE	FSCM NO.	DWG NO.	REV
D		SH-001351-00	B
SCALE	NONE	CAD FILE NO.	SHEET 2 OF 4
			PLOT DATE:

THIS DOCUMENT CONTAINS PROPRIETARY INFORMATION WHICH IS THE PROPERTY OF OSC AUDIO PRODUCTS, THAT MAY NOT BE DISCLOSED, REPRODUCED OR USED WITHOUT EXPRESS WRITTEN CONSENT FROM OSC AUDIO PRODUCTS.

**REAR PANEL INPUT PCB  
DUAL 14-CONDUCTOR CABLES  
ONE TO EACH CHANNEL**

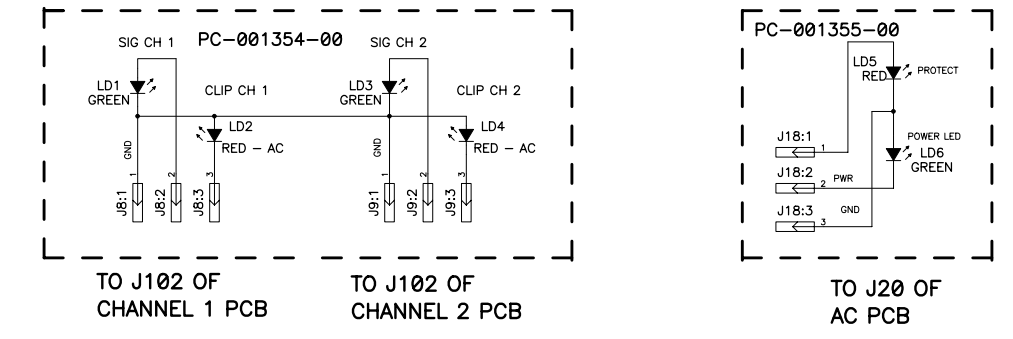
CH 1 INPUTS

CH 2 INPUTS

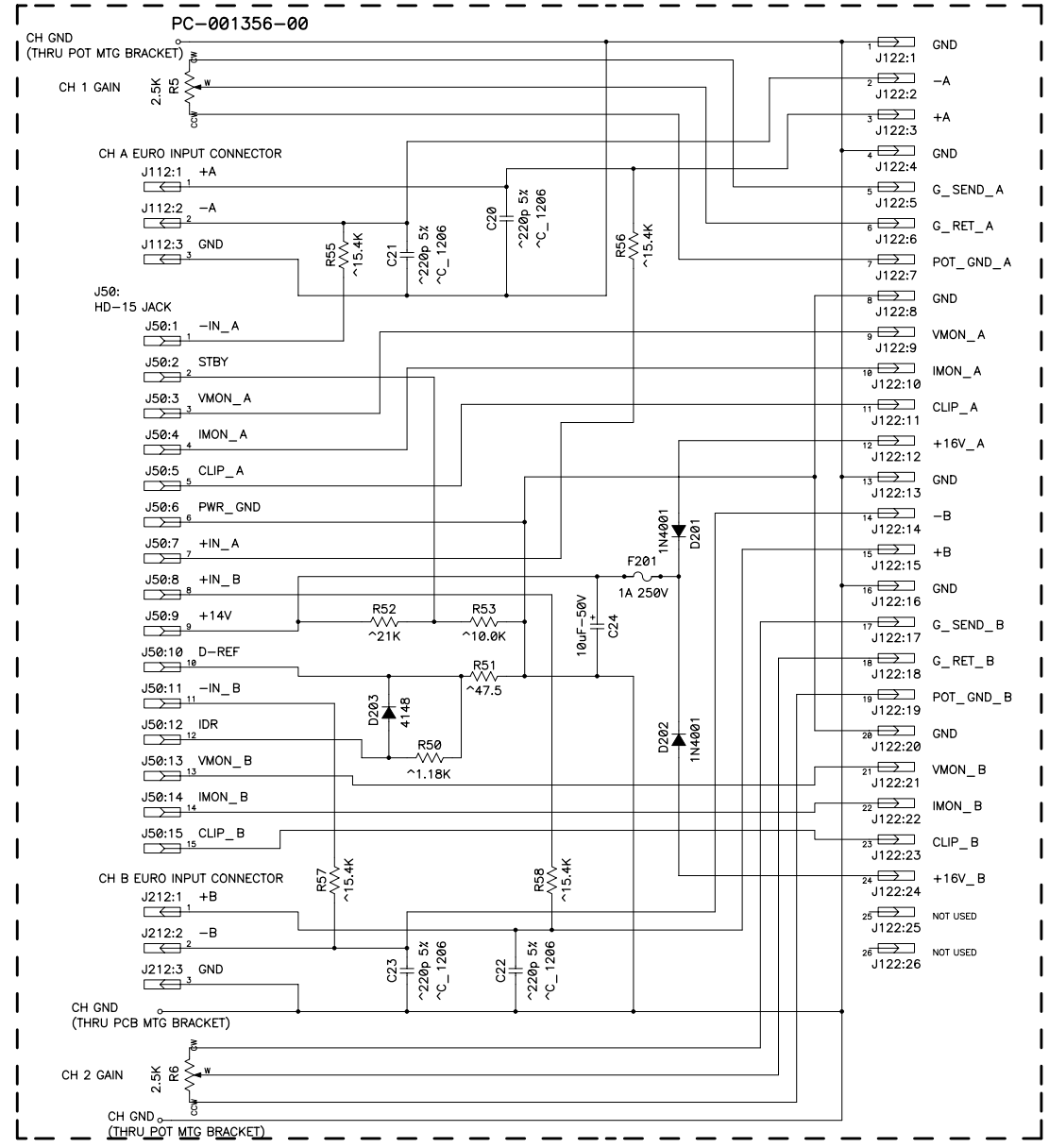


**DISPLAY PCB, 2-SIG LED, 2-CLIP LED**

**POWER & PROTECT LED PCB**



**DATAPORT AND GAIN PCB DUAL 14-CONDUCTOR CABLES ONE TO EACH CHANNEL**



NOTES: UNLESS OTHERWISE SPECIFIED

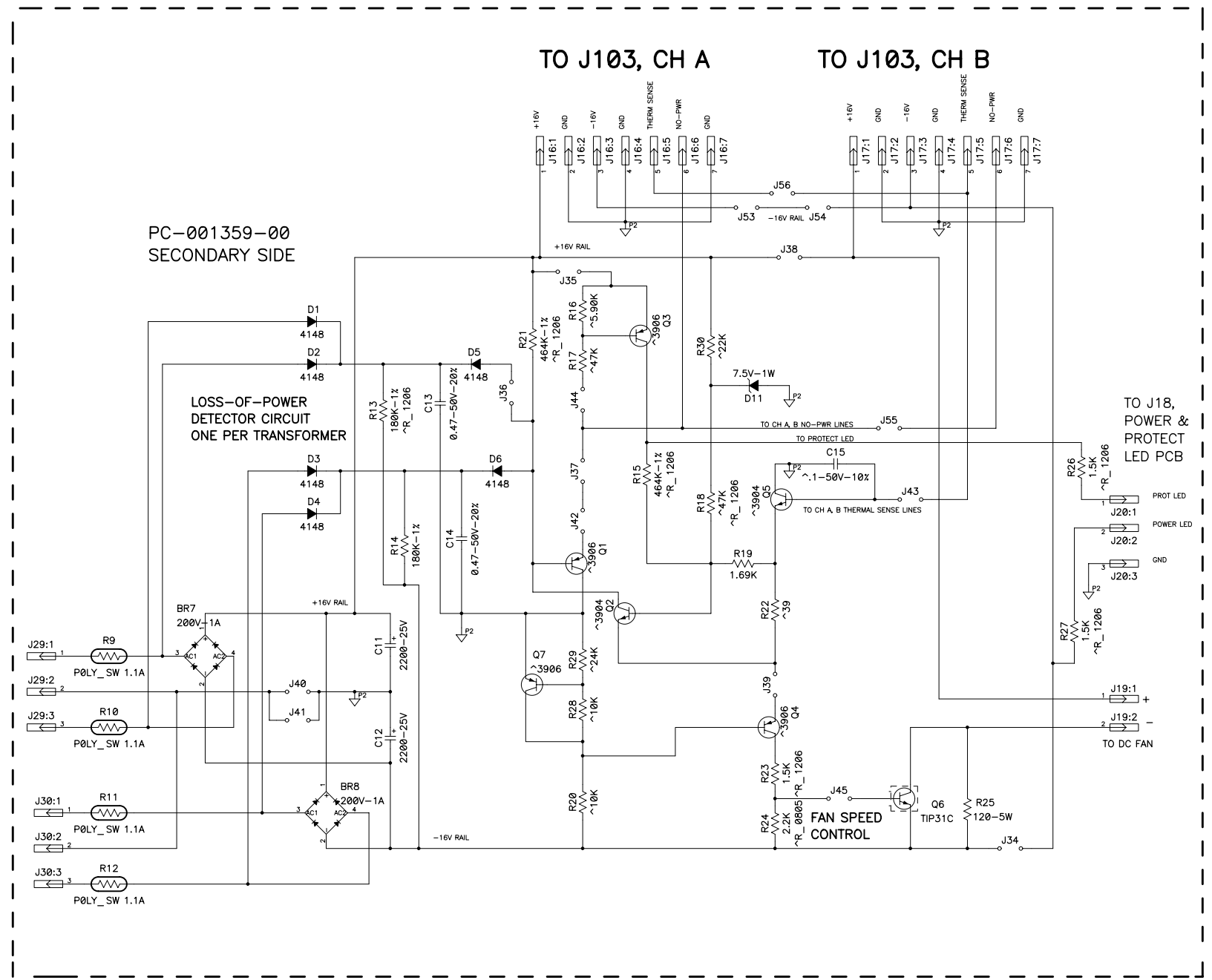
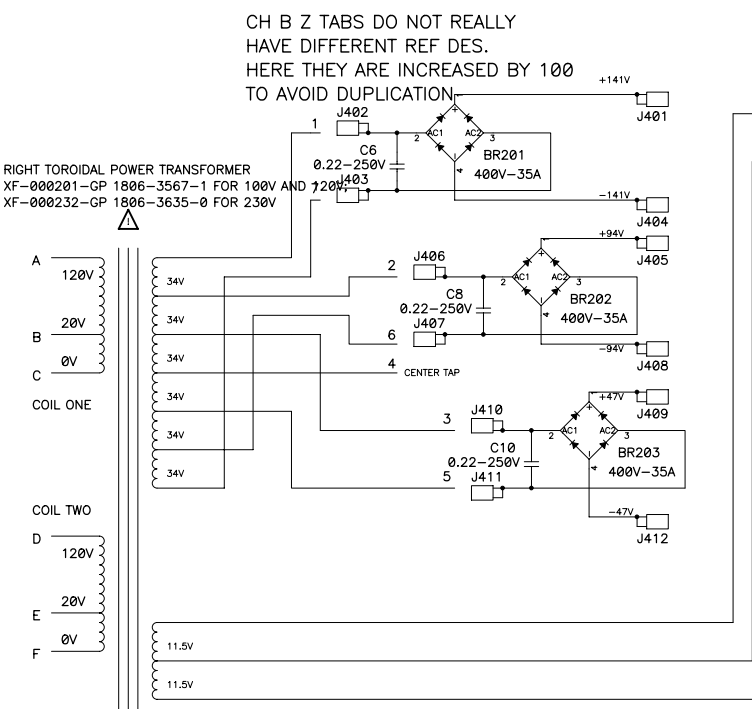
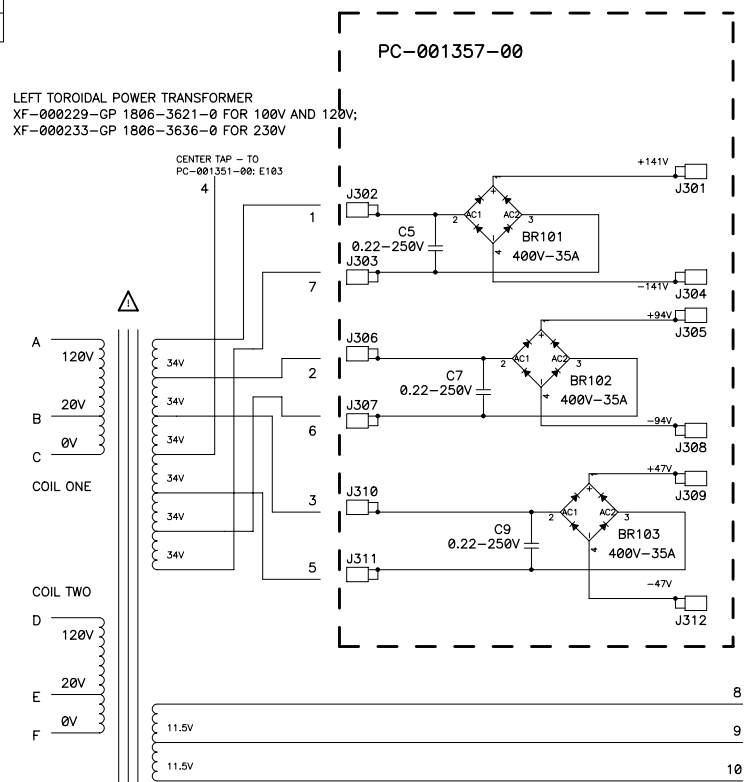
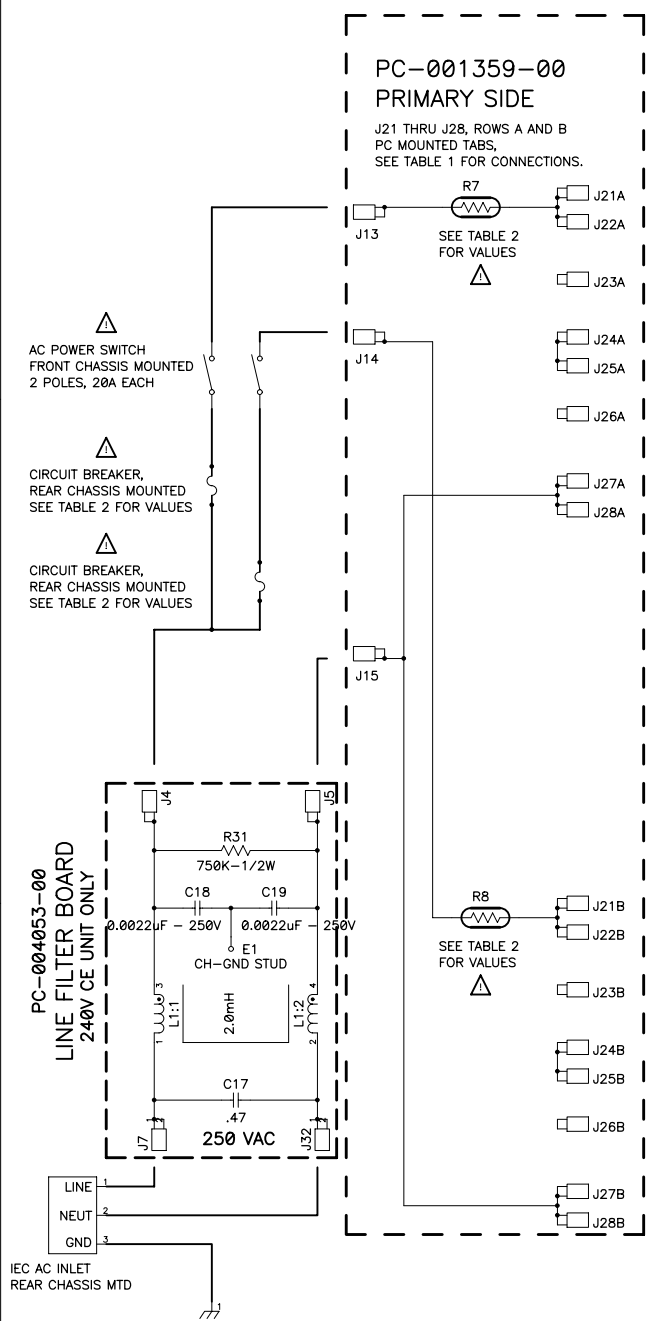
SIZE	FSCM NO.	DWG NO.	REV
D		SH-001351-00	B
SCALE	NONE	CAD FILE NO.	SHEET
		SH01351rB.SCH	3 OF 4
PLOT DATE:			

B 3 SH-001351-00

THIS DOCUMENT CONTAINS PROPRIETARY INFORMATION WHICH IS THE PROPERTY OF OSC AUDIO PRODUCTS, THAT MAY NOT BE DISCLOSED, REPRODUCED OR USED WITHOUT EXPRESS WRITTEN CONSENT FROM OSC AUDIO PRODUCTS.

AC LINE VOLTAGE			
100V	120V	240V	TAB
A	A	A	J21
D	D	-	J22
C	B	B	J23
-	-	C	J24
-	-	D	J25
F	E	E	J26
B	C	-	J27
E	F	F	J28

	AC LINE VOLTAGE		
	100V	120V	240V
CIRCUIT BREAKER	15A-125V	15A-125V	7.5A-250V
R7 & R8	1 OHM 30A	1 OHM 30A	4 OHM 15A
LINE FILTER	NO	NO	YES



NOTES: UNLESS OTHERWISE SPECIFIED

B 4 SH-001351-00