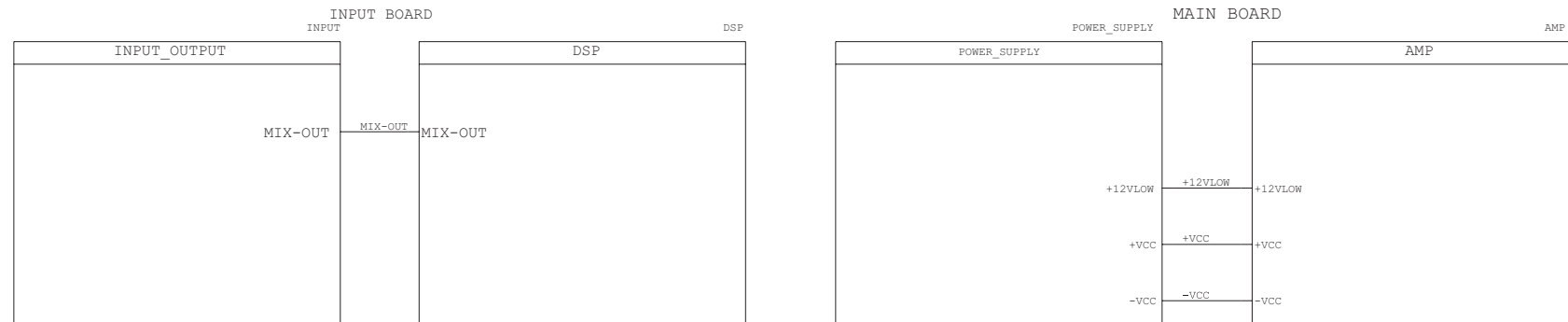


THIS DOCUMENT CONTAINS PROPRIETARY INFORMATION WHICH IS THE PROPERTY OF QSC AUDIO PRODUCTS, THAT MAY NOT BE DISCLOSED, REPRODUCED OR USED WITHOUT EXPRESS WRITTEN CONSENT FROM

REVISIONS			
REV	DESCRIPTION	EFF. DATE	CHK
A	PROD RLSE W/O CHG. ECO 9034	17 MAR 2009	
B	CHG R141 AND R143 VALUE. ECO 9377	31 JUL 2009	
C	CHG C13, C14, C25, R73, R77, R173 VALUE ADD D15, D16, ECO 9457	31 AUG 2009	
C1	CHG C52 TO Y1 TYPE. ECO 9591	29 JAN 2010	



**Troubleshoot notes: Rev A, (Revised date: July 22th, 2011)**

**A. General Notes.**  
a. AC voltage thresholds: operate at above 70 V and shutdown at below 50 V.  
b. Idle current: 120V and 230V @ 0.2A; short limit current: less than 1A per CH  
c. Firmwares (FW): four revisions as follow:  
1. FW Rev A - Initial release.  
2. FW Rev B - Increased turn on mute time to avoid signal passing when the system powers off with certain AC input situations.  
3. FW Rev C - Increased the fan turn on voltage because some fans wouldn't come on at the initial startup voltage.  
4. FW Rev D - Adjusted fan thresholds to accommodate hardware changes and modified limiters based on amplifier updates.

**Notes:**  
**FW Rev D IS NOT compatible with older amplifiers which have FW Rev A-C and vice versa amplifier with FW Rev D cannot be downgrade to earlier FW revisions (A-C).**  
d. K-Series power amplifier is class D, so passive low-pass filter (Audio Precision AUX-0025) is required for all measurements - power, %THD, etc.

**e. Circuitry revisions.**  
1. ECO# 9377, Rev B, Eff. date: Jul 2009:  
- Change R141 and R143  
2. ECO# 9457, Rev C, Eff. date: Aug 2009:  
- Change C13, C14, C25, R73, R77, R173, & FW rev D. Add D15, D16. Due to circuitry changes on both DSP and Power boards, new and old revisions are incompatible and require correct firmware revision.

**f. Service Bulletin:**  
1. Service bulletin #KSE0001revA, Issue date: Oct 2009, Title: K Series inductor reinforcement. L13

**g. Troubleshoot hints:**  
1. Power supply failures:  
- No blown MOSFETs Q13 & Q14. Check for broken/cracked lead of inductors L11, L12, L13.  
- Blown MOSFETs Q13 & Q14. Always replace both MOSFETs and diodes D33 & D34  
2. Blown MOSFETs outputs of Amplification circuit:  
- Always replace both MOSFETs on the defective channel. If the amplifier still has problem, check its driver - U5 for Q2 & 3 and U7 for Q4 & Q5.

**B. Top Box Power Module with DSP feature disabled. To disable DSP, pull out the GAIN B knob, use a shunt across pins 2 & 4 if header J7 has 10 pins (early K Series production with PCB rev A & B, till Feb 2010) or across pins 4 & 6 if header J7 has 6 pins**  
a. Setup: \* Apply a 10 mVrms, 1k Hz sine wave to only XLR input of MIC/LINE IN A; set only GAIN A control fully up; set MIC/LINE switch to LINE.  
\* K & KW Output Adapter (SC-000576-TS): set the MODE switch to BYPASS. Do not apply any load on the HF channel if the adapter is not available to avoid overloading the HF channel.

**b. Output measurements:**  
1. Output = 1.0 Vrms; LF output and HF output are 180 degree out of phase.  
2. Turn the MIC/LINE switch to MIC position.  
3. Verify an increase of 24.5 dB gain (16.75 Vrms).  
4. Turn both gain controls down. Disconnect the signal from LINE IN A's input and feed the same signal onto either RCA input. Turn only GAIN B control fully up and verify each output (should be 2 Vrms). Repeat this step to check other RCA input.  
5. Turn gain control B down. Disconnect input from RCA and then feed the signal into LINE IN B's XLR input. Change the input amplitude to 300mV. Turn GAIN B control fully up. Verify output on each channel; should be 101 W @8-ohm with <0.2% THD or 28.5 Vrms.  
6. Change the input amplitude to 560 mV. Verify output on each channel; should be 358 W @8-ohm with <1.0% THD or 53 Vrms. Note: red LIMIT LED turns on; it is normal.

**C. Sub Box Power Module with DSP feature disabled. To disable DSP, pull out the GAIN knob, locate W2 on the right side of the gain pot, and temporarily short two pads of W2 together by soldering a piece of wire on them.**  
a. Setup: Apply a 600 mVrms, 1k Hz sine wave to only XLR input of MIC/LINE IN A; Turn GAIN control fully up.  
b. Output measurements:  
1. Output power in bridge (two channel outputs are combined) should be 425 W @8-ohm with <0.2% THD or approximately 58 Vrms.  
2. Change the input amplitude to 600 mV. Verify output power; it should be 760 W @8-ohm with <1.0% THD or approximately 78 Vrms.

**D. Common parts:**

**a. K Sub**  
SP-000183-00 WOOFER, 12", PAPER, FERRITE  
WP-003310-00 AMP ASSY, KSUB, UNIV SPLY, FULL RNG, PWRD  
WP-003314-00 ENTIRE BOARD ASSY. (POWER SUPPLY BOARD)  
WP-000334-TS PCB ASSY, INPUT, KSUB.

**b. K8**  
SP-000180-00 WOOFER, 8", PAPER, FERRITE  
WP-000307-00 AMP ASSY, MAIN K8, UNIVERSAL SUPPLY,  
WP-000311-00 PCB ASSY, K8, UNIVERSAL SUPPLY,  
WP-000331-TS PCB ASSY, INPUT, K8.

**c. K10**  
SP-000181-00 WOOFER, 10", PAPER, FERRITE  
WP-000308-00 AMP ASSY, 10", k10, UNIV SPLY, FULL RNG, PWRD  
WP-000312-00 PCB ASSY, K10, UNIVERSAL SUPPLY,  
WP-000332-TS PCB ASSY, INPUT, K10.

**d. K12**  
SP-000182-00 WOOFER, 12", PAPER, FERRITE  
WP-000309-00 AMP ASSY, K12, UNIV SPLY, FULL RNG, PWRD  
WP-000313-00 PCB ASSY, K12, UNIVERSAL SUPPLY,  
WP-000333-TS PCB ASSY, INPUT, K12.

**e. Common Parts to all models**  
CO-000386-00 JACK, IEC, 3 POS, FEMALE LOCKING (all models)  
SP-000184-00 COMPRESSION DRIVER, 1.75", PET/NEODYMIUM,  
SR-000145-00 DIAPHRAGM, CELESTION T5510R, 8 OHM  
WC-000361-GP POWER CORD, IEC V-LOCK, 18AWG, 3M, NEMA 5-15, 120V  
WC-000362-GP POWER CORD, IEC V-LOCK, 1.75MM, 3M, CEE 177, 230V  
WP-000367-00 FAN ASSY, BOP-2CH, (all models)  
IC-000382-30 DSP 28/56 BIT, ADAU1701, U10  
IC-000413-30 DRIVER, IRS20957, SMT, U5, U7  
QD-000294-00 MOSFET, 600V, 28A, 31SW, STP28NM60, TO-247, Q14  
QD-000312-GP LED, 3MM, BLUE SP, SLR3438B T 225419 ROHM,  
QD-000363-30 DIODE, 30V, 2.0A, MBR230, SOD-123, D23, D24, D38, D39  
QD-000372-00 BRIDGE RECTIFIER, KBU1005, IN-LINE, 600V, 10A, BR1  
QD-000373-00 MOSFET, 200V, 18A, 100W, IRFB4020, TO-220AB, Q2-Q5  
QD-000376-00 MOSFET, 600V, 11A, 160W, STP11NM60FD, TO-220, Q13  
QD-000391-00 DIODE, 600V, 8A, FFP08560S, TO-220, 15NS, D33, D34  
QD-000394-10 TRANSISTOR NPN, 50V, 2A, 0.9W, 2SC2655, TO-92, Q16, Q7  
XF-000376-00 INDUCTOR, CM, TOROID, 4MH, BOP, 50/60HZ 6.3AL, 11, L12  
XF-000377-00 INDUCTOR, 60HZ PFC, TOROID, 774UH, BOP, L13

FLUMBING SCHEDULE  
+/-15V: MAIN BOARD RAW  
+/-15V A: AMP CH 1 AUDIO  
+/-15V B: AMP CH 2 AUDIO  
+/-15V C: INPUT BOARD RAW  
+/-15V D: INPUT BOARD AUDIO  
VDD1: MAIN BOARD +7V  
VDD2: INPUT BOARD +7V  
+/-VCC: AMPLIFIER RAILS

SCHEMATIC ASSOCIATION  
PC-003311-00 FOR ALL MODELS  
WP-003311-00 K8  
WP-003312-00 K10  
WP-003313-00 K12  
WP-003314-00 KSUB

COMPONENT NOTES  
\*2-WAY\* MEANS ONLY FOR K8/10/12  
\*SUB\* MEANS ONLY FOR KSUB  
VALUE AS SHOWN AFTER NOTE  
DNI MEANS 'DO NOT INSERT'

GROUND SCHEDULE  
C1: INPUT PCB CHASSIS  
P1: MAIN PCB POWER  
A1: MAIN PCB AUDIO  
C2: XCAP CHASSIS

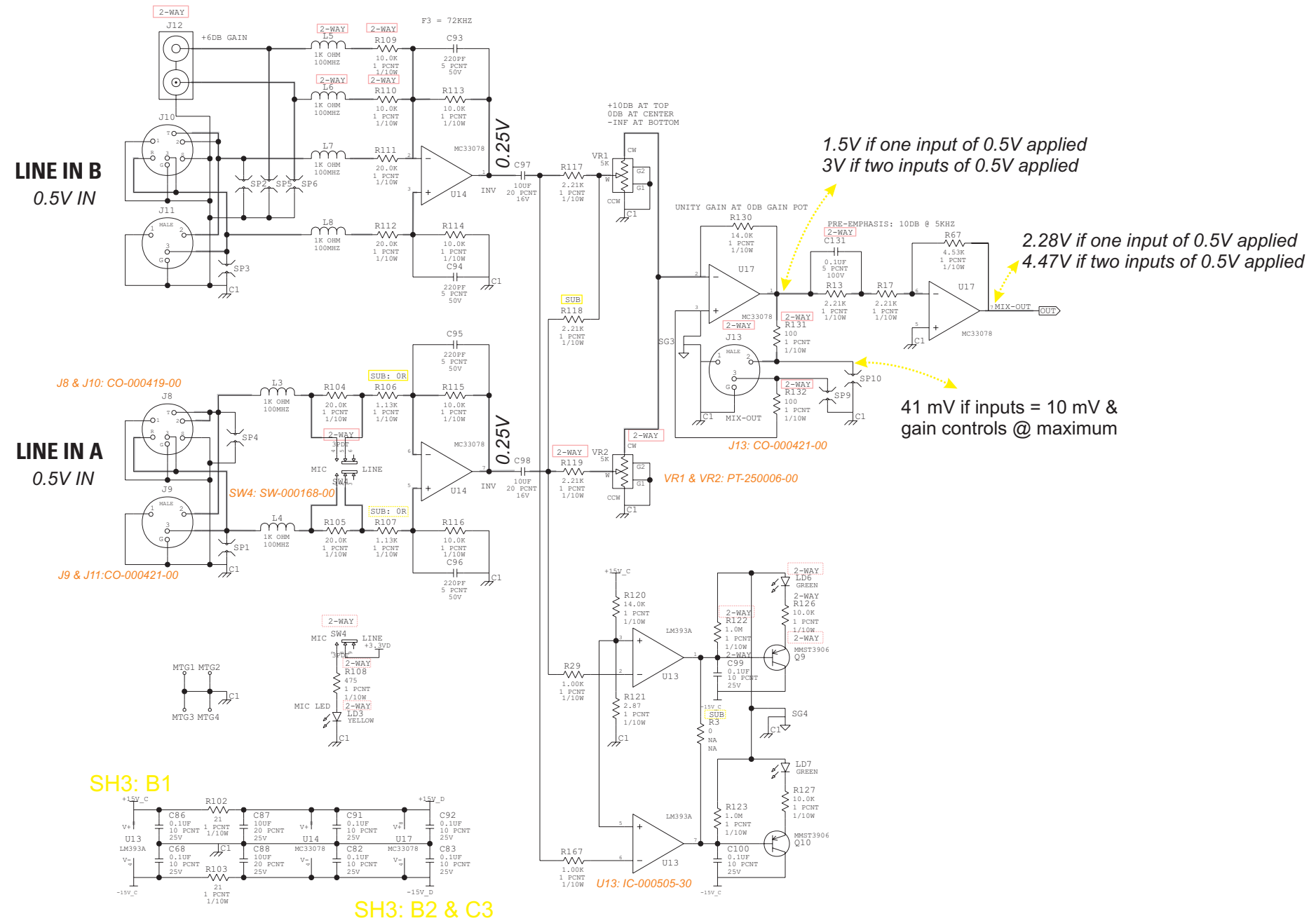
1. THIS DRAWING USED IN CONJUNCTION WITH ASSEMBLY WP-003311-00.  
NOTES: UNLESS OTHERWISE SPECIFIED



CONTRACT NO.		QSC AUDIO PRODUCTS, LLC. COSTA MESA, CALIFORNIA	
APPROVALS	DATE	SCHEMATIC DIAGRAM K SERIES 2-CH AMP	
DRAWN EVAN SHULTZ	29 OCT 2009		
CHECKED D. GALVAN	29 JUL 2009		
ISSUED D. DELARM	30 JUL 2009	SIZE C	CAGE CODE 00PW4
SEED FILE NO. SUBVERSION	PLOT DATE:	DWG NO. SH-003311-00	CAD FILE NO. AR-003311-00.ZIP

THIS DOCUMENT CONTAINS PROPRIETARY INFORMATION WHICH IS THE PROPERTY OF QSC AUDIO PRODUCTS, THAT MAY NOT BE DISCLOSED, REPRODUCED OR USED WITHOUT EXPRESS WRITTEN CONSENT FROM

# INPUT STAGE, SIGNAL PRESENCE, GAIN, INPUT SUMMING



SIZE	CAGE CODE	DWG NO.	REV
C	00PW4	SH-003311-00	
SCALE	NONE	CAD FILE NO.	AR-003311-00.ZIP

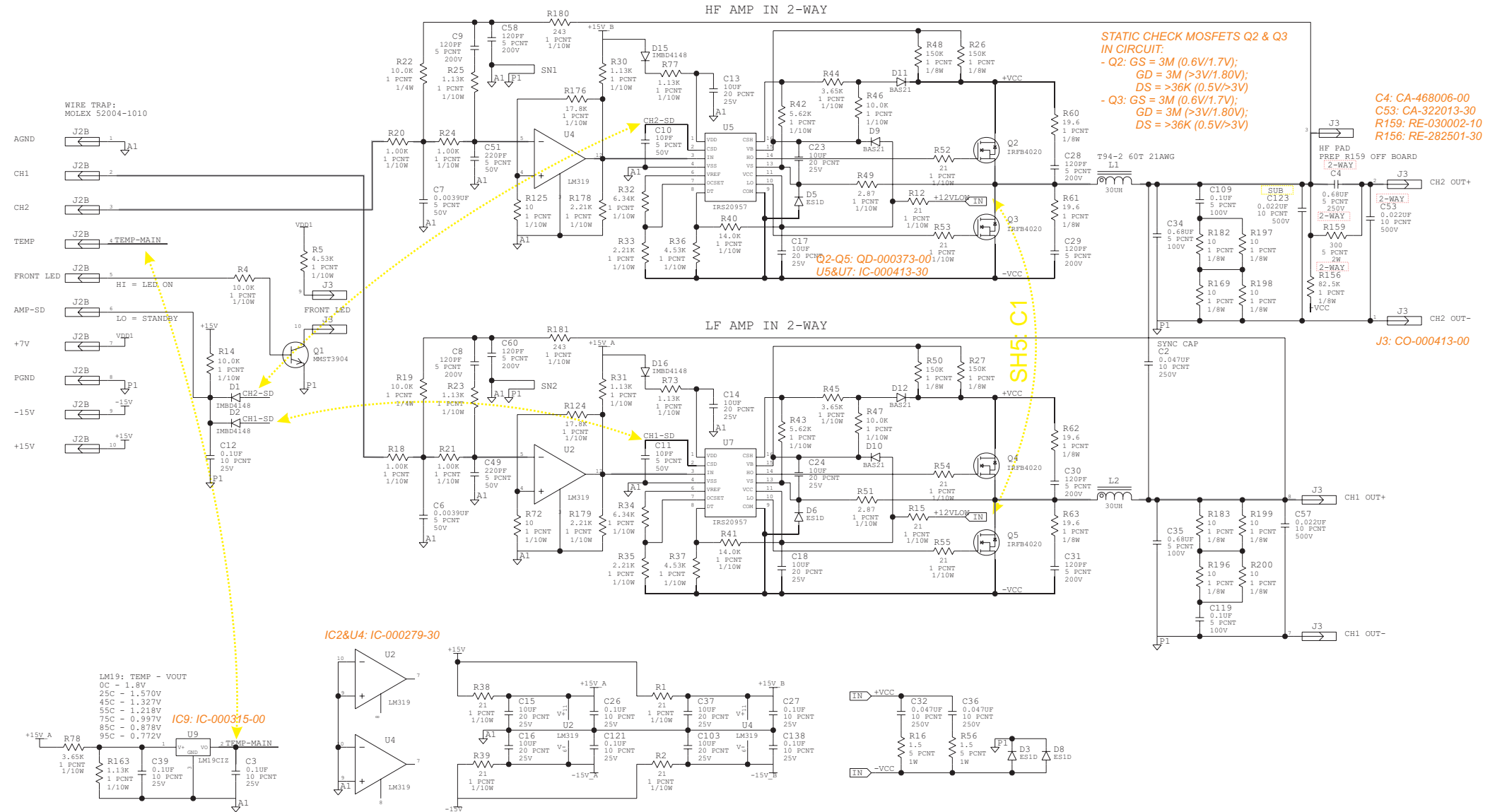


THIS DOCUMENT CONTAINS PROPRIETARY INFORMATION WHICH IS THE PROPERTY OF QSC AUDIO PRODUCTS, THAT MAY NOT BE DISCLOSED, REPRODUCED OR USED WITHOUT EXPRESS WRITTEN CONSENT FROM

## 2-CHANNEL CLASS D AMPLIFIER AND PROTECTION

D15&16: QD-000102-30  
 R77&R73: RE-111301-30  
 C13&C14: CA-610021-30  
 U5&U7: IC-000413-30

OLD REVISION:  
 D15&16: NOT EXISTED  
 R77&R73: 3.65K  
 C13&C14: 0.1 UF, 25V



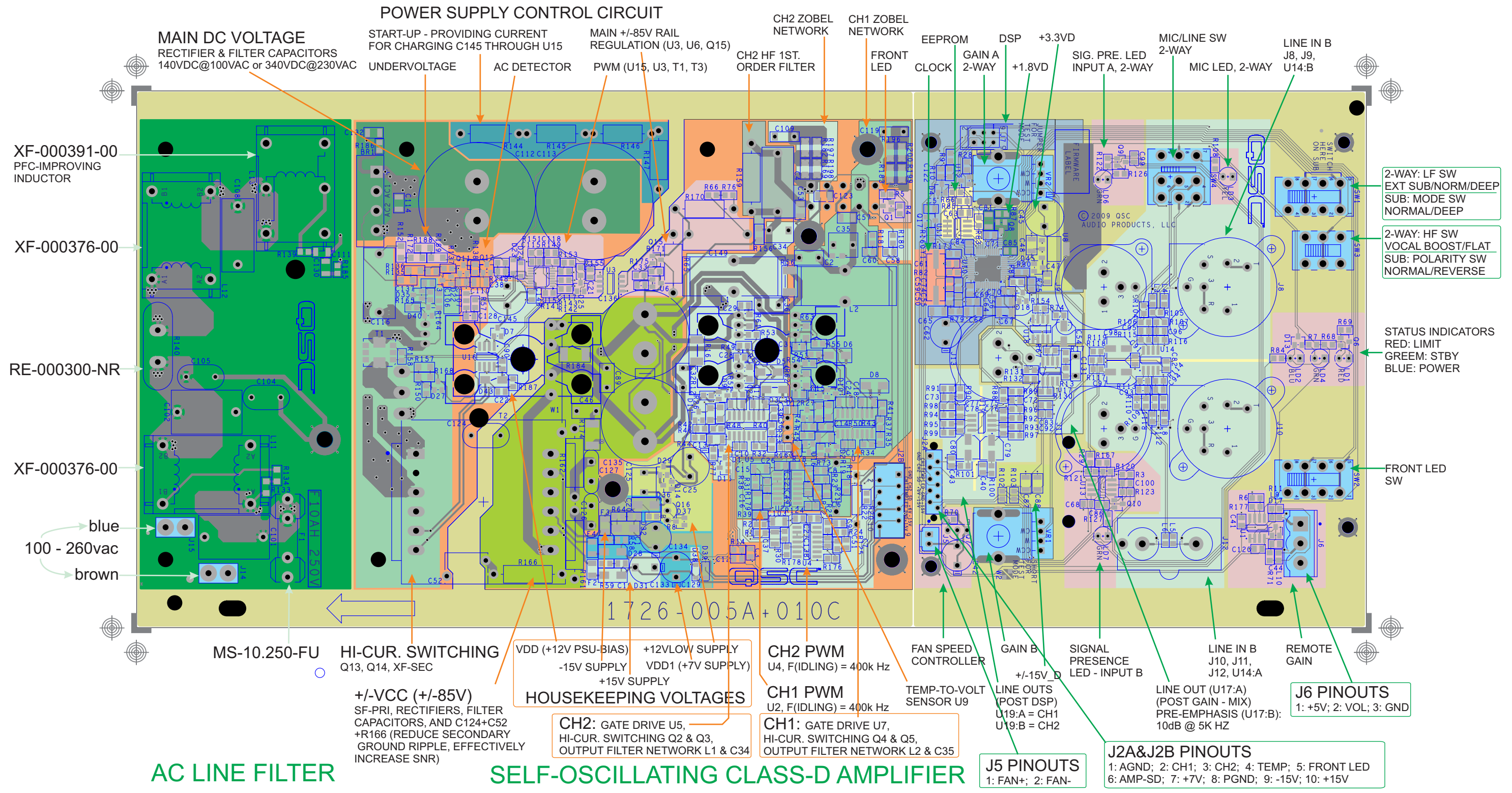
SIZE	CAGE CODE	DWG NO.	REV
C	00PW4	SH-003311-00	
SCALE	NONE	CAD FILE NO.	AR-003311-00.ZIP



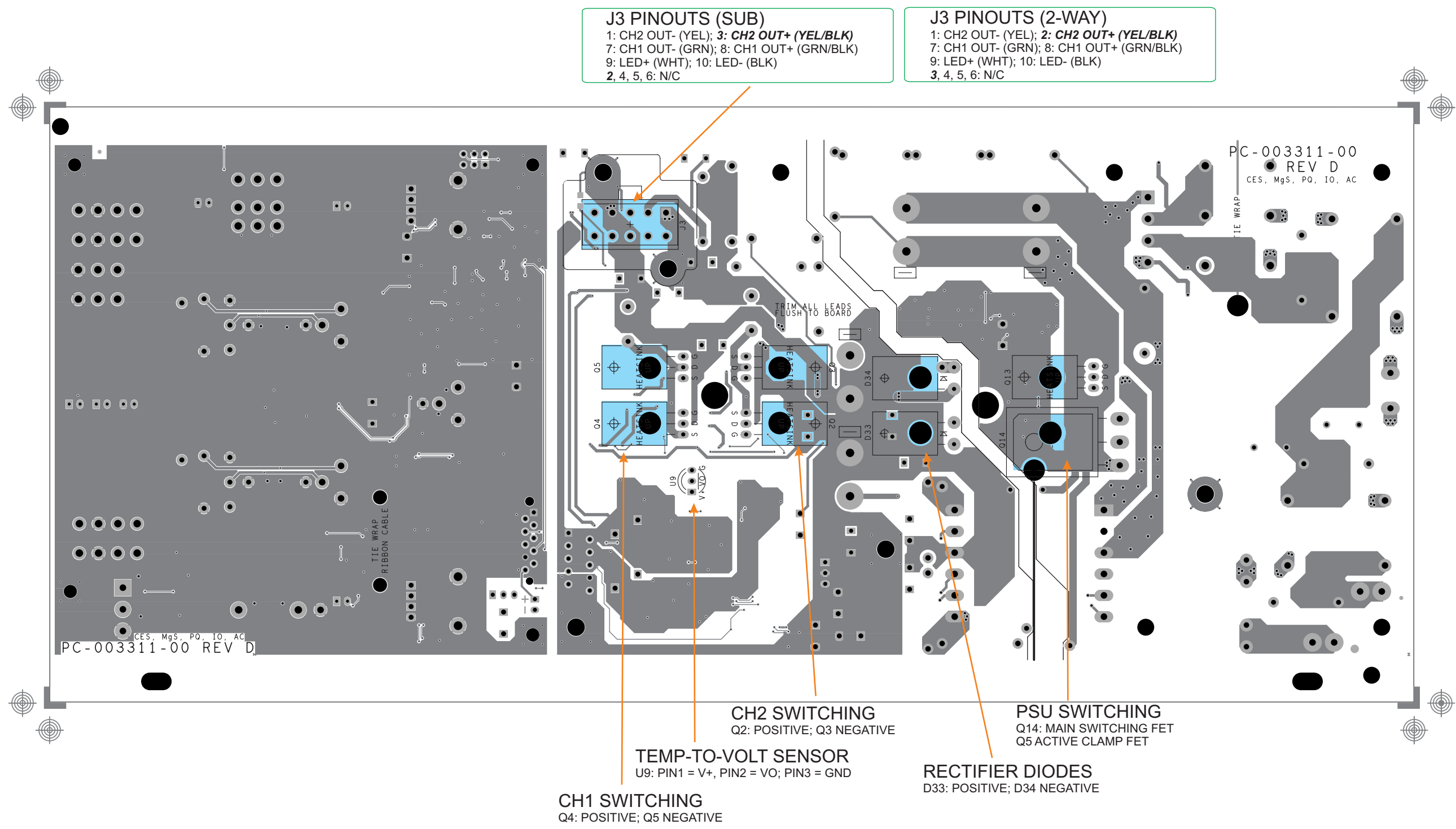


# ACTIVE-CLAMP FLYBACK SUPPLY

# INPUTS & SIGNAL PROCESSING







**J3 PINOUTS (SUB)**  
 1: CH2 OUT- (YEL); 3: CH2 OUT+ (YEL/BLK)  
 7: CH1 OUT- (GRN); 8: CH1 OUT+ (GRN/BLK)  
 9: LED+ (WHT); 10: LED- (BLK)  
 2, 4, 5, 6: N/C

**J3 PINOUTS (2-WAY)**  
 1: CH2 OUT- (YEL); 2: CH2 OUT+ (YEL/BLK)  
 7: CH1 OUT- (GRN); 8: CH1 OUT+ (GRN/BLK)  
 9: LED+ (WHT); 10: LED- (BLK)  
 3, 4, 5, 6: N/C

# PC-003311-00 K-SERIES BOARD - BOTTOM SIDE FLIP - REV. D

DATE: JULY 22th, 2011  
 REV.: B  
 SHEET 3 OF 3



# K SERIES POWER LOUDSPEAKER PARTS LISTS (JUNE 2010)

## Table of Contents

- K-TOP PARTS LIST parts list (JUNE 2010)** ..... **2**
- K-TOP (K8, K10, K12) PCB ASSEMBLY PARTS LIST (JUNE 2010) ..... 2
- K8 PARTS LIST (JUNE 2010) ..... 4
  - K8 POWER AMP ASSY: QSC PART # WP-003307-00 ..... 4
  - K8 CHASSIS ASSY: QSC PART # WP-003300-00 ..... 5
- K10 PARTS LIST (JUNE 2010) ..... 6
  - K10 POWER AMP ASSY: QSC PART # WP-003308-00 ..... 6
  - K10 CHASSIS ASSY: QSC PART # WP-003302-00 ..... 7
- K12 PARTS LIST (JUNE 2010) ..... 8
  - K12 POWER AMP ASSY: QSC PART # WP-003309-00 ..... 8
  - K12 CHASSIS ASSY: QSC PART # WP-003304-00 ..... 9
- KSUB PARTS LIST (JUNE 2010)** ..... **10**
- KSUB PCB ASSEMBLY PARTS LIST (JUNE 2010) ..... 10
- KSUB POWER AMP ASSY: QSC PART # WP-003310-00 ..... 13
- KSUB CHASSIS ASSY: QSC PART # WP-003306-00 ..... 13

# K-TOP PARTS LIST

## K-TOP (K8, K10, K12) PCB ASSEMBLY PARTS LIST (JUNE 2010)

K-8: QSC PART # WP-003311-00; K-10: QSC PART # WP-003312-00; K-12: QSC PART # WP-003313-00

QSC Part #	Description	Qty	Reference	Comments
CA-010002-30	10PF, 5 PCNT, 50V, CERAMIC NPO, 0805,	2	C10, C11	
CA-018002-30	18PF, 5 PCNT, 50V, CERAMIC NPO, SMT,	2	C59, C61	
CA-110001-10	100PF, 5 PCNT, 500V, MICA, DIPPED,	2	C126, C127	
CA-110002-30	100PF, 5 PCNT, 50V, CERAMIC NPO, 0805,	4	C75, C76, C77, C78	
CA-112001-30	120PF, 5 PCNT, 200V, CERAMIC NPO, 0805,	12	C1, C19, C20, C22, C28, C29, C30, C31, C58, C60, C8, C9	
CA-122002-30	220PF, 5 PCNT, 50V, CERAMIC NPO, 0805,	7	C117, C49, C51, C93, C94, C95, C96	
CA-122011-00	220PF, 10 PCNT, 250VAC, CERAMIC CLASS Y1, DISC, YCAP	1	C52	
CA-168003-30	680PF, 5 PCNT, 50V, CERAMIC NPO, 0805,	2	C72, C73	
CA-222001-00	0.0022UF, 20 PCNT, 125VAC, CERAMIC Y5U, DISC, YCAP	3	C104, C105, C124	
CA-233003-30	0.0033UF, 10 PCNT, 50V, CERAMIC X7R, 0805,	2	C122, C50	
CA-239002-30	0.0039UF, 5 PCNT, 50V, CERAMIC COG/NPO, 0805,	2	C6, C7	
CA-322013-30	0.022UF, 10 PCNT, 500V, CERAMIC X7R, 1206,	6	C111, C114, C130, C132, C53, C57	
CA-347008-10	0.047UF, 10 PCNT, 250V, FILM, BOX,	5	C2, C32, C36, C46, C89	
CA-368007-30	0.068UF, 10 PCNT, 100V, CERAMIC X7R, 0805,	1	C55	
CA-410001-00	0.1UF, 20 PCNT, 250VAC, FILM, BOX STYLE, XCAP	1	C108	
CA-410012-30	0.1UF, 10 PCNT, 25V, CERAMIC X7R, 0805,	33	C100, C106, C107, C118, C12, C120, C121, C138, C21, C26, C27, C3, C33, C39, C41, C47, C5, C63, C64, C68, C69, C70, C71, C74, C82, C83, C84, C85, C86, C90, C91, C92, C99	
CA-410027-10	0.1UF, 5 PCNT, 100V, FILM, BOX STYLE,	3	C109, C119, C131	
CA-468005-10	0.68UF, 5 PCNT, 100V, FILM, DIPPED/BOX,	3	C125, C34, C35	
CA-468006-00	0.68UF, 5 PCNT, 250V, METALLIZED FILM, BOX,	3	C116, C149, C4	
CA-468007-00	0.68UF, 20 PCNT, 250VAC, FILM, BOX STYLE, X2 CAP	2	C101, C102	
CA-510007-30	1.0UF, 20 PCNT, 16V, CERAMIC Y5V, 0805,	6	C115, C128, C137, C148, C38, C44	
CA-610011-30	10UF, 20 PCNT, 16V, ELECTROLYTIC, SMT, NON-POLAR	5	C54, C79, C80, C97, C98	
CA-610021-30	10UF, 20 PCNT, 25V, CERAMIC CAP, 1206,	19	C13, C14, C103, C110, C15, C16, C17, C18, C23, C24, C37, C48, C56, C65, C66, C67, C81, C87, C88	
CA-710004-10	100UF, 20 PCNT, 25V, ELECTROLYTIC, , LOW ESR	5	C129, C133, C134, C42, C62	
CA-747011-00	470UF, 20 PCNT, 400V, ELECTROLYTIC, SNAP IN,	2	C112, C113	
CA-810009-10	1000UF, 20 PCNT, 16V, ELECTROLYTIC, ,	3	C25, C145, C45	
CA-818001-00	1800UF, 20 PCNT, 100V, ELECTROLYTIC, 22MM X 40MM SNAP IN,	2	C135, C136	
CO-000009-ZT	ZTAB, 0.25" TAB, 1 POS, MALE, AUTO INSERTABLE	2	J14, J15	
CO-000155-00	HEADER, 0.1" CENTERS, 2 POS (1X2), MALE, RAMP LOCK	1	J5	
CO-000329-00	WIRE HOLDER, RIBBON CABLE, 10 POS, FEMALE,	1		
CO-000355-00	TERMINAL STRIP, , 10 POS (2X5), MALE,	1	J7	
CO-000371-00	JACK, PHONO, 2 POS, FEMALE, VERTICAL	1	J12	
CO-000413-00	HEADER, 4.2MM CENTERS, 10 POS (2X5), MALE,	1	J3	
CO-000414-00	XLR, COMBO, 3 POS, FEMALE, VERTICAL WITHOUT TAB	2	J10, J8	
CO-000421-00	XLR, , 3 POS, MALE, VERTICAL PLASTIC SHELL	3	J11, J13, J9	
CO-000422-00	JACK, EURO, 3 POS, MALE, VERTICAL BLACK TALL	1	J6	
CO-000426-00	WIRE TRAP, RIBBON CABLE, 10 POS, FEMALE, RELEASABLE	1	J2B	
CY-000009-30	12.288MHZ, , SMT	1	Y1	
HW-000007-HW	SOB-FUSE CLIP, PC MOUNT, , , TIN PLATED BRASS, 5MM	2		REF: F1
IC-000048-30	OPAMP, DUAL, MC33078, ,	5	U1, U14, U17, U18, U19	
IC-000157-30	REGULATOR, SHUNT, ZR431, ,	1	U6	
IC-000200-30	RESET, MICROPROCESSOR, MAX809S, ,	1	U12	
IC-000279-30	COMPARATOR, DUAL, LM319, SMT,	2	U2, U4	
IC-000315-00	SENSOR, TEMPERATURE, LM19CIZ, ,	1	U9	
IC-000382-30	DSP 28/56 BIT, , ADAU1701, ,	1	U10	
IC-000407-30	EEPROM, 8KX8, 24C64A, SMT, I2C	1	U11	
IC-000412-30	CONTROLLER, ACTIVE CLAMP PWM, UCC2893, SMT,	1	U15	

**K-8: QSC PART # WP-003311-00; K-10: QSC PART # WP-003312-00; K-12: QSC PART # WP-003313-00 (CONTINUED)**

QSC Part #	Description	Qty	Reference	Comments
IC-000413-30	DRIVER, MOSFET HALF BRIDGE, IRS20957, SMT,	2	U5, U7	
IC-000420-30	VOLTAGE REGULATOR, +3.3V, NCP1117ST33, SOT223,	1	U8	
IC-000425-30	OPTO COUPLER, TRANSISTOR OUTPUT, MOC205R2V-M, SMT, VDE APPROVAL	1	U3	
IC-000431-30	VOLTAGE REGULATOR, +12V, LM78L12A, SO-8,	1	U16	
IC-000505-30	COMPARATOR, DUAL, LM393A, SO-8, VIO = 2MV MAX	1	U13	
MS-000115-30	FUSE, 1.0A, 24V, 1206, SLO	3	F2, F3, F4	
MS-10.250-FU	FUSE, 10A, 250V, 5MM X 20MM, FAST	1	F1	
PC-003311-00	PCB, K-SERIES, , MAIN AMP,	1		
PG-000212-00	APPLICATION CODE, , K12, ,	0		
PL-000628-00	SPACER, T-1 LED, 0.85", PLASTIC, BLACK,	6		REF: LD1, LD2, LD3, LD4, LD6, LD7
PL-000643-00	SPACER, LED/TO-92, .115" (3MM), PVC, BLACK,	1		REF U9
PL-000686-00	SPACER, ROUND, 0.063"ID X 0.156"OD X 0.510"L, NYLON, ,	1		REF: PLACE AROUND CENTER PIN UNDER J6
PT-250006-00	GAIN, 5K, 20 PCNT, , 21 DETENT, GX SERIES	2	VR1, VR2	
QD-000052-00	LED, , , GREEN, , DIFFUSED	3	LD4, LD6, LD7	
QD-000053-00	LED, , , YELLOW, , NA	1	LD3	
QD-000054-00	LED, , , RED, , NA	1	LD1	
QD-000102-30	DIODE, 75V, 0.075A, , IMBD4148, SOT-23, 4NS	10	D15, D16, D1, D13, D2, D22, D25, D35, D45, D7	
QD-000103-30	TRANSISTOR NPN, 40V, 0.2A, 0.2W, MMST3904, SOT-23,	5	Q1, Q11, Q12, Q17, Q6	
QD-000104-30	TRANSISTOR PNP, 40V, 0.2A, 0.2W, MMST3906, SOT-23,	3	Q10, Q8, Q9	
QD-000105-30	TRANSISTOR NPN, 300V, 0.2A, 0.2W, MMBTA42, SOT-23,	1	Q15	
QD-000108-30	DIODE, 200V, 0.2A, , BAS21, SOT-23, 50NS	8	D10, D11, D12, D14, D27, D29, D40, D9	
QD-000187-00	LED, , , BLUE, , NA	1	LD2	
QD-000189-30	DIODE SCHOTTKY, 30V, 0.2A, , BAT54S, SOT-23,	3	D17, D37, D4	
QD-000282-30	DIODE RECTIFIER ULTRAFAST, 200V, 1A, , ES1D, SMA,	9	D28, D3, D31, D32, D36, D43, D5, D6, D8	
QD-000284-00	MOSFET N-CHANNEL, 600V, 26A, 313W, STW26NM60, TO-247,	1	Q14	
QD-000363-30	DIODE, SCHOTTKY, 30V, 2.0A, , MBR230, SOD-123,	4	D23, D24, D38, D39	
QD-000372-00	BRIDGE RECTIFIER, , , KBU1005, IN-LINE, 600V 10A	1	BR1	
QD-000373-00	MOSFET N-CHANNEL, 200V, 18A, 100W, IRFB4020, TO-220AB,	4	Q2, Q3, Q4, Q5	
QD-000376-00	MOSFET N-CHANNEL, 600V, 11A, 160W, STP11NM60FD, TO-220,	1	Q13	
QD-000391-00	DIODE RECTIFIER, 600V, 8A, , FFP08S60S, TO-220, 15NS STEALTH II	2	D33, D34	
QD-000394-10	TRANSISTOR NPN, 50V, 2A, 0.9W, 2SC2655, TO-92MOD,	2	Q16, Q7	
RD-000511-00	STICKER, FIRMWARE, K-SERIES	0		
RE-.15002-30	1.5, 5 PCNT, 1W, THICK FILM, 2512, 200V	4	R16, R174, R184, R56	
RE-.28701-30	2.87, 1 PCNT, 1/10W, THICK FILM, 0805, 100V	4	R121, R155, R49, R51	
RE-000300-NR	NTC, 2.5 OHMS, 8 AMPS, , INRUSH LIMIT 90J	1	R140	
RE-001003-30	10, 1 PCNT, 1/8W, THICK FILM, 1206, 200V	10	R157, R168, R169, R182, R183, R196, R197, R198, R199, R200	
RE-001006-30	10, 1 PCNT, 1/10W, THICK FILM, 0805, 100V	3	R125, R165, R72	
RE-001960-30	19.6, 1 PCNT, 1/8W, THICK FILM, 1206, 200V	4	R60, R61, R62, R63	
RE-002100-30	21, 1 PCNT, 1/10W, THICK FILM, 0805, 100V	13	R1, R102, R103, R12, R15, R2, R38, R39, R52, R53, R54, R55, R57	
RE-010002-30	100, 1 PCNT, 1/10W, THICK FILM, 0805, 100V	11	R100, R101, R131, R132, R139, R175, R187, R58, R59, R64, R82	
RE-010018-10	100, 5 PCNT, 2W, METAL OXIDE FP, MINI,	3	R161, R162, R166	
RE-024301-30	243, 1 PCNT, 1/10W, THICK FILM, 0805, 100V	4	R180, R181, R185, R186	
RE-030002-10	300, 5 PCNT, 2W, METAL OXIDE FP, MINI,	1	R159	
RE-047502-30	475, 1 PCNT, 1/10W, THICK FILM, 0805, 100V	4	R108, R28, R68, R79	
RE-076801-30	768, 1 PCNT, 1/10W, THICK FILM, 0805, 100V	1	R153	
RE-110002-30	1.00K, 1 PCNT, 1/10W, THICK FILM, 0805, 100V	9	R158, R167, R18, R20, R21, R24, R29, R7, R87	
RE-111301-30	1.13K, 1 PCNT, 1/10W, THICK FILM, 0805, 100V	12	R73, R77, R106, R107, R163, R164, R171, R177, R23, R25, R30, R31	

**K-8: QSC PART # WP-003311-00; K-10: QSC PART # WP-003312-00; K-12: QSC PART # WP-003313-00 (CONTINUED)**

QSC Part #	Description	Qty	Reference	Comments
RE-122103-30	2.21K, 1 PCNT, 1/10W, THICK FILM, 0805, 100V	14	R117, R119, R13, R151, R17, R178, R179, R33, R35, R6, R70, R83, R85, R86	
RE-136502-30	3.65K, 1 PCNT, 1/10W, THICK FILM, 0805, 100V	7	R160, R44, R45, R66, R76, R78, R9	
RE-145302-30	4.53K, 1 PCNT, 1/10W, THICK FILM, 0805, 100V	4	R36, R37, R5, R67	
RE-156200-30	5.62K, 1 PCNT, 1/10W, THICK FILM, 0805, 100V	11	R10, R42, R43, R88, R89, R90, R91, R92, R93, R94, R95	
RE-163402-30	6.34K, 1 PCNT, 1/10W, THICK FILM, 0805, 100V	5	R148, R32, R34, R8, R81	
RE-178701-30	7.87K, 1 PCNT, 1/10W, THICK FILM, 0805, 100V	1	R141	
RE-178701-30	7.87K, 1 PCNT, 1/10W, THICK FILM, 0805, 100V	1	R141	
RE-210001-BM	10.0K, 1 PCNT, 1/4W, METAL FILM, ,	2	R19, R22	
RE-210003-30	10.0K, 1 PCNT, 1/10W, THICK FILM, 0805, 100V	15	R109, R110, R113, R114, R115, R116, R126, R127, R14, R154, R4, R46, R47, R69, R74	
RE-211005-00	11K, 5 PCNT, 1W, METAL OXIDE FP, ,	5	R144, R145, R146, R147, R65	
RE-214001-30	14.0K, 1 PCNT, 1/10W, THICK FILM, 0805, 100V	4	R130, R40, R41, R120	
RE-217803-30	17.8K, 1 PCNT, 1/10W, THICK FILM, 0805, 100V	4	R124, R137, R176, R75	
RE-220002-30	20.0K, 1 PCNT, 1/10W, THICK FILM, 0805, 100V	9	R104, R105, R111, R112, R84, R96, R97, R98, R99	
RE-229402-30	29.4K, 1 PCNT, 1/10W, THICK FILM, 0805, 100V	1	R150	
RE-256001-00	56K, 5 PCNT, 1W, METAL OXIDE, FP,	1	R170	
RE-263401-30	63.4K, 1 PCNT, 1/10W, THICK FILM, 0805, 100V	3	R173, R143, R149	
RE-282501-30	82.5K, 1 PCNT, 1/8W, THICK FILM, 1206, 200V	5	R152, R156, R172, R188, R189	
RE-310002-30	100K, 1 PCNT, 1/10W, THICK FILM, 0805, 100V	5	R11, R138, R142, R71, R80	
RE-315002-30	150K, 1 PCNT, 1/8W, THICK FILM, 1206, 200V	6	R135, R136, R26, R27, R48, R50	
RE-324302-30	243K, 1 PCNT, 1/8W, THICK FILM, 1206, 200V	2	R133, R134	
RE-410005-30	1.0M, 1 PCNT, 1/10W, THICK FILM, 0805, 100V	2	R122, R123	
SW-000111-00	SWITCH, DPDT, SLIDE, PCB MOUNT 0.805" TERMINALS	1	SW3	
SW-000112-00	SWITCH, DP3POS, SLIDE, PCB MOUNT 0.805" TERMINALS	2	SW1, SW2	
SW-000168-00	SWITCH, 3PDT, PCB MOUNT 0.805" TERMINALS,	1	SW4	
WC-000398-00	RIBBON CABLE, , 26 AWG, 10 CONDUCTOR, PLX2 SERIES, 8.0 IN INSULATION,	1	J2A	
WC-1.1022-JW	WIRE, JUMPER, 22 GA, , BOP, 1.1, WHT	1	W1	
XF-000100-30	BEAD, 100MHZ, 1K OHM, SMT	8	L10, L3, L4, L5, L6, L7, L8, L9	
XF-000360-30	TRANSFORMER, CURRENT SENSE, , , , , 100:1 BOP-2CH	1	T1	
XF-000361-30	TRANSFORMER, GATE DRIVE, , , , BOP-2CH, ,	1	T3	
XF-000362-00	TRANSFORMER, SWITCHING, 200KHZ, E42-21-20, 1000W, BOP-2CH, ,	1	T2	
XF-000364-00	INDUCTOR, , TOROID T94-2, 30UH, BOP-2CH, ,	2	L1, L2	
XF-000376-00	INDUCTOR, COMMON MODE, TOROID, 4MH, BOP, , 50/60HZ 6.3A	2	L11, L12	
XF-000377-00	INDUCTOR, 60HZ PFC, TOROID, 774UH, BOP, ,	1	L13	

**K8 PARTS LIST (JUNE 2010)**

**K8 POWER AMP ASSY: QSC PART # WP-003307-00**

QSC Part #	Description	Qty	Reference	Comments
CH-000856-00	CHASSIS, MAIN, BUCKET, BOP-2CH,	1		
CH-000857-00	PANEL, INPUT, BOP-2CH, K8,	1		
CH-000880-00	CLAMP, TRANSISTOR, , BOP-2CH,	2		
CH-000886-00	SHIELD, LINE FILTER, , BOP-2CH,	1		
CO-000386-00	JACK, IEC, 3 POS, FEMALE, LOCKING	1		
MS-000487-00	GASKET, PCB CONNECTOR, SPEAKER, BOP-2CH,	1		
NW-000034-00	WSHR, SPLKG, , M3, 3.4 ID, 6.2 OD, 0.7 THK, STL, CLR, ZINC CR3,	4	FAN	
NW-000173-00	WSHR, FLT, M3, , 3.2 ID, 8.0 OD, 1.0 THK, STL, BLK, ZINC CR3,	8	FAN	
NW-000140-00	NUT, HEX KEPS W/TOOTH WSHR, M4, , STL, CLR, ZINC,	1	GROUND	
NW-000147-00	NUT, HEX, M3, , STL, CLR, ZINC CR3,	4	FAN	

**K8 POWER AMP ASSY: QSC PART # WP-003307-00 (CONTINUED)**

QSC Part #	Description	Qty	Reference	Comments
PL-000085-00	INSULATOR, TRANSISTOR, 1.525" X 0.950", ALUMINA, ,	4		
PL-000627-00	SPRINGSEAT, TRANSISTOR, BOP, NYLON, ,	2		
PL-000636-00	KNOB, , K-SERIES, PLASTIC, BLACK,	2		
SC-000205-00	SCR, PHH, PNH SERR BSE, MACH, TAPTITE TYPE B0, , , M4, 10 L, STL, BLK, ZINC CR3,	12	INPUT PLATE	
SC-000229-00	SCR, PHH, PNH, MACH, , , , M3, 8 L, STL, BLK, PHOS W/6219,	4	INPUT BOARD	
SC-000230-00	SCR, PHH, FLH, TPG, TYPE AB, , , #4-24, 3/8 L, STL, BLK, ZINC CR3,	2	AC INLET	
SC-000240-00	SCR, PHH, PNH, MACH, , , , M3.5, 20 L, STL, CLR, ZINC CR3,	2	TRANSISTOR SPRING CLAMP	
SC-000241-00	SCR, PHH, PNH, MACH, , , , M3.5, 8 L, STL, CLR, ZINC CR3,	14	MAIN PCB, EMI SHIELD, PCB, SPEAKER CONNECTOR	
SC-043051-PP	PHILLIPS, PANHEAD, #4-20, 0.313" L, BLACK, STEEL "PLASTITE"	11	INPUT CONNECTORS	
SW-000016-SW	AC SWITCH, SPST, 20A, 125VAC,	1		
WC-000466-00	CABLE ASSY, AC, 16 AWG, 3 CONDUCTOR, BOP-2CH, 5.50" L,	1		
WC-000467-00	WIRE ASSY, AC SWITCH, 16 AWG, 1 CONDUCTOR, BOP-2CH, 5.00" L, BROWN	1	AC SWITCH TO PCB	
WP-000367-00	FAN ASSY, , BOP-2CH, ,	1		
WP-003311-00	PCB ASSY, , K8, UNIVERSAL SUPPLY,	1		

**K8 CHASSIS ASSY: QSC PART # WP-003300-00**

QSC Part #	Description	Qty	Reference (Item #)	Comments
CH-000847-01	GRILLE, , BLK, K8,	1	1	DRAWING: WP-003300-01
SG-000557-TS	K8 GRILLE ASSEMBLY KIT	1	1,19,33	DRAWING: WP-003300-01
CH-000850-01	HANDLE, , BLK, SPEAKERS,	1	2	DRAWING: WP-003300-01
CH-000869-01	THREADED INSERT, M5, , K-SERIES,	4	3	DRAWING: WP-003300-01
CH-000870-00	PLATE, HANDLE BACKING, , K-SERIES,	2	4	DRAWING: WP-003300-01
CH-000899-01	THREADED INSERT, M10, , K-SERIES,	2	5	DRAWING: WP-003300-01
MS-000415-GP	ACOUSTIC WOOL, 300*490*30, , ,	1	6	DRAWING: WP-003300-01
MS-000480-00	FELT PAD, POLE MOUNT, K-SERIES, ,	6	7	DRAWING: WP-003300-01
MS-000486-00	GASKET, OUTER, BUCKET, BOP-2CH,	1	8	DRAWING: WP-003300-01
MS-000496-00	SPACER, LED, , ,	1	9	DRAWING: WP-003300-01
MS-000499-00	GASKET, POLE CUP, K-8, ,	1	10	DRAWING: WP-003300-01
MS-000543-00	GASKET, PE600MM X 10MM X 1.0MM THK, , ,	2	11	DRAWING: WP-003300-01
NW-000161-00	NUT, HEX FLG SERR, M5, , STL, CLR, ZINC CR3,	11	12	DRAWING: WP-003300-01
NW-000162-00	NUT, HEX, M10, , STL, CLR, ZINC CR3,	4	13	DRAWING: WP-003300-01
NW-000163-00	NUT, HEX, M16, , STL, CLR, ZINC CR3,	2	14	DRAWING: WP-003300-01
NW-000164-00	WSHR, SPLKG, M10, , , , , STL, CLR, ZINC CR3,	4	15	DRAWING: WP-003300-01
NW-000165-00	WSHR, SPLKG, M16, , , , , STL, CLR, ZINC CR3,	2	16	DRAWING: WP-003300-01
NW-000166-00	WSHR, FLT, M10, , , , , STL, CLR, ZINC CR3,	4	17	DRAWING: WP-003300-01
NW-000167-00	WSHR, FLT, M16, , , , , STL, CLR, ZINC CR3,	2	18	DRAWING: WP-003300-01
NW-000168-00	WSHR, RTNR, M8, , , , , STL, CLR, ZINC CR3,	2	19	DRAWING: WP-003300-01
PL-000061-GP	GASKET, D32XD26.5X1MM, EVA BK, , ,	1	20	DRAWING: WP-003300-01
PL-000062-GP	GASKET, 1000X10X2MM, EVA B, , ,	1	21	DRAWING: WP-003300-01
PL-000585-01	GASKET, BAFFLE/BUCKET, K8, , BLK,	1	22	DRAWING: WP-003300-01
PL-000593-01	FOOT, ROUND, K10, , BLK,	2	23	DRAWING: WP-003300-01
PL-000597-01	FOOT, REAR, K8, , BLK,	1	24	DRAWING: WP-003300-01
PL-000600-01	POLE CUP, DUAL ANGLE, K8, , BLK,	1	25	DRAWING: WP-003300-01
PL-000603-01	POLE CUP, SELECTOR, ANGLE, K-SERIES, , BLK,	1	26	DRAWING: WP-003300-01
PL-000604-01	POLE CUP, RETAINER, SELECTOR, K-SERIES, , BLK,	1	27	DRAWING: WP-003300-01
SG-000558-TS	K8 POLE CUP ASSEMBLY KIT	1	7,10, 25, 26, 27	DRAWING: WP-003300-01



**K8 CHASSIS ASSY: QSC PART # WP-003300-00 (CONTINUED)**

QSC Part #	Description	Qty	Reference (Item #)	Comments
PL-000606-01	FLARE, PORT, RIGHT, K8, , BLK,	1	28	DRAWING: WP-003300-01
PL-000619-01	PLUG, HORN, K8, , BLK,	4	29	DRAWING: WP-003300-01
PL-000620-01	PLUG, RUBBER, 5MM, , BLK,	4	30	DRAWING: WP-003300-01
PL-000621-01	PLUG, RUBBER, 10MM, , BLK,	3	31	DRAWING: WP-003300-01
PL-000623-01	FLARE, PORT, LEFT, , BLK, K8	1	32	DRAWING: WP-003300-01
PL-000658-01	LOGO, K8/K10, , , BLK,	1	33	DRAWING: WP-003300-01
QD-000312-GP	LED, 3MM, BLUE SP, SLR343BB T 225419 ROHM, , ,	1	34	DRAWING: WP-003300-01
SG-000559-TS	K8 WIRING HARNESS ASSEMBLY KIT	1	9,34,47	DRAWING: WP-003300-01
SB-000076-01	BAFFLE, , K8, , BLK,	1	36	DRAWING: WP-003300-01
SG-000556-TS	K8 BAFFLE ASSEMBLY KIT	1	28,32,36	DRAWING: WP-003300-01
SC-000097-GP	SCR, PHH, PNH, , , , M5, 35 L, STL, BLK, ZINC CR3,	4	37	DRAWING: WP-003300-01
SC-000288-00	SCR, PHH, PNH, MACH, , , , M5, 20 L, STL CLASS 4.6, BLK, ZINC CR3,	6	38	DRAWING: WP-003300-01
SC-000300-00	SCR, PHH, PNH, MACH, , , , M5, 17 L, STL, BLK, ZINC CR3,	5	39	DRAWING: WP-003300-01
SC-000302-00	SCR, PHH, PNH, MACH, , , , M6, 20 L, STL, BLK, ZINC CR3,	4	40	DRAWING: WP-003300-01
SC-000303-00	SCR, PHH, PNH, TPG, PLASTITE, , , , M4, 12 L, STL, BLK, ZINC CR3,	8	41	DRAWING: WP-003300-01
SC-000304-00	SCR, PHH, PNH, TPG, PLASTITE, , , , M4, 18 L, STL, BLK, ZINC CR3,	8	42	DRAWING: WP-003300-01
SC-000305-00	SCR, PHH, PNH, TPG, PLASTITE, , , , M5, 20 L, STL, BLK, ZINC CR3,	10	43	DRAWING: WP-003300-01
SC-000306-00	SCR, PHH, PNH, TPG, PLASTITE, , , , M5, 25 L, STL, BLK, ZINC CR3,	11	44	DRAWING: WP-003300-01
SP-000180-00	WOOFER, 8", PAPER, FERRITE, CELESTION, K8	1	45	DRAWING: WP-003300-01
SP-000184-00	COMPRESSION DRIVER, 1.75", PETP, NEOD, CELESTION, K-SERIES	1	46	DRAWING: WP-003300-01
WC-000456-00	WIRE HARNESS, , , , K8, ,	1	47	DRAWING: WP-003300-01
WP-003307-00	CHASSIS ASSY, MAIN, K8, UNIVERSAL SUPPLY,	1	48	DRAWING: WP-003300-01

**K10 PARTS LIST (JUNE 2010)****K10 POWER AMP ASSY: QSC PART # WP-003308-00**

QSC Part #	Description	Qty	Reference	Comments
CH-000856-00	CHASSIS, MAIN, BUCKET, BOP-2CH,	1		
CH-000883-00	PANEL, INPUT, BOP-2CH, K10,	1		
CH-000880-00	CLAMP, TRANSISTOR, , BOP-2CH,	2		
CH-000886-00	SHIELD, LINE FILTER, , BOP-2CH,	1		
CO-000386-00	JACK, IEC, 3 POS, FEMALE, LOCKING	1		
MS-000487-00	GASKET, PCB CONNECTOR, SPEAKER, BOP-2CH,	1		
NW-000034-00	WSHR, SPLKG, , M3, 3.4 ID, 6.2 OD, 0.7 THK, STL, CLR, ZINC CR3,	4	FAN	
NW-000173-00	WSHR, FLT, M3, , 3.2 ID, 8.0 OD, 1.0 THK, STL, BLK, ZINC CR3,	8	FAN	
NW-000140-00	NUT, HEX KEPS W/TOOTH WSHR, M4, , STL, CLR, ZINC,	1	GROUND	
NW-000147-00	NUT, HEX, M3, , STL, CLR, ZINC CR3,	4	FAN	
PL-000085-00	INSULATOR, TRANSISTOR, 1.525" X 0.950", ALUMINA, ,	4		
PL-000627-00	SPRINGSEAT, TRANSISTOR, BOP, NYLON, ,	2		
PL-000636-00	KNOB, , K-SERIES, PLASTIC, BLACK,	2		
SC-000205-00	SCR, PHH, PNH SERR BSE, MACH, TAPTITE TYPE B0, , , M4, 10 L, STL, BLK, ZINC CR3,	12	INPUT PLATE	
SC-000229-00	SCR, PHH, PNH, MACH, , , , M3, 8 L, STL, BLK, PHOS W/6219,	4	INPUT BOARD	
SC-000230-00	SCR, PHH, FLH, TPG, TYPE AB, , , #4-24, 3/8 L, STL, BLK, ZINC CR3,	2	AC INLET	

**K10 POWER AMP ASSY: QSC PART # WP-003308-00 (CONTINUED)**

QSC Part #	Description	Qty	Reference	Comments
SC-000240-00	SCR, PHH, PNH, MACH, , , , M3.5, 20 L, STL, CLR, ZINC CR3,	2	TRANSISTOR SPRING CLAMP	
SC-000241-00	SCR, PHH, PNH, MACH, , , , M3.5, 8 L, STL, CLR, ZINC CR3,	14	MAIN PCB, EMI SHIELD, PCB, SPEAKER CONNECTOR	
SC-043051-PP	PHILLIPS, PANHEAD, #4-20, 0.313" L, BLACK, STEEL "PLASTITE"	11	INPUT CONNECTORS	
SW-000016-SW	AC SWITCH, SPST, 20A, 125VAC,	1		
WC-000466-00	CABLE ASSY, AC, 16 AWG, 3 CONDUCTOR, BOP-2CH, 5.50" L,	1		
WC-000467-00	WIRE ASSY, AC SWITCH, 16 AWG, 1 CONDUCTOR, BOP-2CH, 5.00" L, BROWN	1	AC SWITCH TO PCB	
WP-000367-00	FAN ASSY, , BOP-2CH, ,	1		
WP-003312-00	PCB ASSY, , K10, UNIVERSAL SUPPLY,	1		

**K10 CHASSIS ASSY: QSC PART # WP-003302-00**

QSC Part #	Description	Qty	Reference (Item #)	Comments
CH-000848-01	GRILLE, , BLK, K10,	1	1	DRAWING: WP-003302-01
SG-000561-TS	K10 GRILLE ASSEMBLY KIT	1	1,19,33	DRAWING: WP-003302-01
CH-000850-01	HANDLE, , BLK, SPEAKERS,	2	2	DRAWING: WP-003302-01
CH-000869-01	THREADED INSERT, M5, , K-SERIES,	2	3	DRAWING: WP-003302-01
CH-000870-00	PLATE, HANDLE BACKING, , K-SERIES,	4	4	DRAWING: WP-003302-01
CH-000899-01	THREADED INSERT, M10, , K-SERIES,	2	5	DRAWING: WP-003302-01
MS-000415-GP	ACOUSTIC WOOL, 300*490*30, , ,	2	6	DRAWING: WP-003302-01
MS-000480-00	FELT PAD, POLE MOUNT, K-SERIES, ,	6	7	DRAWING: WP-003302-01
MS-000486-00	GASKET, OUTER, BUCKET, BOP-2CH,	1	8	DRAWING: WP-003302-01
MS-000496-00	SPACER, LED, , ,	1	9	DRAWING: WP-003302-01
MS-000500-00	GASKET, POLE CUP, K10, ,	1	10	DRAWING: WP-003302-01
MS-000543-00	GASKET, PE600MM X 10MM X 1.0MM THK, , ,	2	11	DRAWING: WP-003302-01
NW-000161-00	NUT, HEX FLG SERR, M5, , STL, CLR, ZINC CR3,	20	12	DRAWING: WP-003302-01
NW-000162-00	NUT, HEX, M10, , STL, CLR, ZINC CR3,	2	13	DRAWING: WP-003302-01
NW-000163-00	NUT, HEX, M16, , STL, CLR, ZINC CR3,	2	14	DRAWING: WP-003302-01
NW-000164-00	WSHR, SPLKG, M10, , , , , STL, CLR, ZINC CR3,	2	15	DRAWING: WP-003302-01
NW-000165-00	WSHR, SPLKG, M16, , , , , STL, CLR, ZINC CR3,	2	16	DRAWING: WP-003302-01
NW-000166-00	WSHR, FLT, M10, , , , , STL, CLR, ZINC CR3,	2	17	DRAWING: WP-003302-01
NW-000167-00	WSHR, FLT, M16, , , , , STL, CLR, ZINC CR3,	2	18	DRAWING: WP-003302-01
NW-000168-00	WSHR, RTNR, M8, , , , , STL, CLR, ZINC CR3,	2	19	DRAWING: WP-003302-01
PL-000061-GP	GASKET, D32XD26.5X1MM, EVA BK, , ,	1	20	DRAWING: WP-003302-01
PL-000062-GP	GASKET, 1000X10X2MM, EVA B, , ,	1	21	DRAWING: WP-003302-01
PL-000586-01	GASKET, BAFFLE/BUCKET, K10, , BLK,	1	22	DRAWING: WP-003302-01
PL-000593-01	FOOT, ROUND, K10, , BLK,	2	23	DRAWING: WP-003302-01
PL-000598-01	FOOT, REAR, K10, , BLK,	1	24	DRAWING: WP-003302-01
PL-000601-01	POLE CUP, DUAL ANGLE, K10, , BLK,	1	25	DRAWING: WP-003302-01
PL-000603-01	POLE CUP, SELECTOR, ANGLE, K-SERIES, , BLK,	1	26	DRAWING: WP-003302-01
PL-000604-01	POLE CUP, RETAINER, SELECTOR, K-SERIES, , BLK,	1	27	DRAWING: WP-003302-01
SG-000562-TS	POLE CUP ASSEMBLY KIT	1	7,10,25,26,27	DRAWING: WP-003302-01
PL-000607-01	FLARE, PORT, RIGHT, K10, , BLK,	1	28	DRAWING: WP-003302-01
PL-000620-01	PLUG, RUBBER, 5MM, , BLK,	2	29	DRAWING: WP-003302-01
PL-000621-01	PLUG, RUBBER, 10MM, , BLK,	3	30	DRAWING: WP-003302-01
PL-000622-01	PLUG, HORN, K10, , BLK,	4	31	DRAWING: WP-003302-01
PL-000624-01	FLARE, PORT, LEFT, , BLK, K10	1	32	DRAWING: WP-003302-01
PL-000658-01	LOGO, K8/K10, , , BLK,	1	33	DRAWING: WP-003302-01
PL-000677-01	FOOT, LONG, BTM, K10, , BLK,	1	34	DRAWING: WP-003302-01

### K10 CHASSIS ASSY: QSC PART # WP-003302-00 (CONTINUED)

QSC Part #	Description	Qty	Reference (Item #)	Comments
PL-000679-01	FOOT, LONG, TOP, K10, , BLK,	1	35	DRAWING: WP-003302-01
QD-000312-GP	LED, 3MM, BLUE SP, SLR343BB T 225419 ROHM, , ,	1	36	DRAWING: WP-003302-01
SG-000563-TS	K10 WIRE HARNESS ASSEMBLY KIT	1	9,36,49	DRAWING: WP-003302-01
SB-000078-01	BAFFLE, , K10, , BLK,	1	38	DRAWING: WP-003302-01
SG-000560-TS	K10 BAFFLE ASSEMBLY KIT	1	28,32,38	DRAWING: WP-003302-01
SC-000097-GP	SCR, PHH, PNH, , , , M5, 35 L, STL, BLK, ZINC CR3,	3	39	DRAWING: WP-003302-01
SC-000288-00	SCR, PHH, PNH, MACH, , , , M5, 20 L, STL CLASS 4.6, BLK, ZINC CR3,	18	40	DRAWING: WP-003302-01
SC-000300-00	SCR, PHH, PNH, MACH, , , , M5, 17 L, STL, BLK, ZINC CR3,	7	41	DRAWING: WP-003302-01
SC-000302-00	SCR, PHH, PNH, MACH, , , , M6, 20 L, STL, BLK, ZINC CR3,	4	42	DRAWING: WP-003302-01
SC-000303-00	SCR, PHH, PNH, TPG, PLASTITE, , , , M4, 12 L, STL, BLK, ZINC CR3,	8	43	DRAWING: WP-003302-01
SC-000304-00	SCR, PHH, PNH, TPG, PLASTITE, , , , M4, 18 L, STL, BLK, ZINC CR3,	8	44	DRAWING: WP-003302-01
SC-000305-00	SCR, PHH, PNH, TPG, PLASTITE, , , , M5, 20 L, STL, BLK, ZINC CR3,	10	45	DRAWING: WP-003302-01
SC-000306-00	SCR, PHH, PNH, TPG, PLASTITE, , , , M5, 25 L, STL, BLK, ZINC CR3,	11	46	DRAWING: WP-003302-01
SP-000181-00	WOOFER, 10", PAPER, FERRITE, CELESTION, K10	1	47	DRAWING: WP-003302-01
SP-000184-00	COMPRESSION DRIVER, 1.75", PETP, NEOD, CELESTION, K-SERIES	1	48	DRAWING: WP-003302-01
WC-000457-00	WIRE HARNESS, , , , K10, ,	1	49	DRAWING: WP-003302-01
WP-003308-00	CHASSIS ASSY, MAIN, K10, UNIVERSAL SUPPLY,	1	50	

### K12 PARTS LIST (JUNE 2010)

#### K12 POWER AMP ASSY: QSC PART # WP-003309-00

QSC Part #	Description	Qty	Reference	Comments
CH-000856-00	CHASSIS, MAIN, BUCKET, BOP-2CH,	1		
CH-000884-00	PANEL, INPUT, BOP-2CH, K12,	1		
CH-000880-00	CLAMP, TRANSISTOR, , BOP-2CH,	2		
CH-000886-00	SHIELD, LINE FILTER, , BOP-2CH,	1		
CO-000386-00	JACK, IEC, 3 POS, FEMALE, LOCKING	1		
MS-000487-00	GASKET, PCB CONNECTOR, SPEAKER, BOP-2CH,	1		
NW-000034-00	WSHR, SPLKG, , M3, 3.4 ID, 6.2 OD, 0.7 THK, STL, CLR, ZINC CR3,	4	FAN	
NW-000173-00	WSHR, FLT, M3, , 3.2 ID, 8.0 OD, 1.0 THK, STL, BLK, ZINC CR3,	8	FAN	
NW-000140-00	NUT, HEX KEPS W/TOOTH WSHR, M4, , STL, CLR, ZINC,	1	GROUND	
NW-000147-00	NUT, HEX, M3, , STL, CLR, ZINC CR3,	4	FAN	
PL-000085-00	INSULATOR, TRANSISTOR, 1.525" X 0.950", ALUMINA, ,	4		
PL-000627-00	SPRINGSEAT, TRANSISTOR, BOP, NYLON, ,	2		
PL-000636-00	KNOB, , K-SERIES, PLASTIC, BLACK,	2		
SC-000205-00	SCR, PHH, PNH SERR BSE, MACH, TAPTITE TYPE B0, , , M4, 10 L, STL, BLK, ZINC CR3,	12	INPUT PLATE	
SC-000229-00	SCR, PHH, PNH, MACH, , , , M3, 8 L, STL, BLK, PHOS W/6219,	4	INPUT BOARD	
SC-000230-00	SCR, PHH, FLH, TPG, TYPE AB, , , #4-24, 3/8 L, STL, BLK, ZINC CR3,	2	AC INLET	
SC-000240-00	SCR, PHH, PNH, MACH, , , , M3.5, 20 L, STL, CLR, ZINC CR3,	2	TRANSISTOR SPRING CLAMP	
SC-000241-00	SCR, PHH, PNH, MACH, , , , M3.5, 8 L, STL, CLR, ZINC CR3,	14	MAIN PCB, EMI SHIELD, PCB, SPEAKER CONNECTOR	
SC-043051-PP	PHILLIPS, PANHEAD, #4-20, 0.313" L, BLACK, STEEL "PLASTITE"	11	INPUT CONNECTORS	

**K12 POWER AMP ASSY: QSC PART # WP-003309-00 (CONTINUED)**

QSC Part #	Description	Qty	Reference	Comments
SW-000016-SW	AC SWITCH, SPST, 20A, 125VAC,	1		
WC-000466-00	CABLE ASSY, AC, 16 AWG, 3 CONDUCTOR, BOP-2CH, 5.50" L,	1		
WC-000467-00	WIRE ASSY, AC SWITCH, 16 AWG, 1 CONDUCTOR, BOP-2CH, 5.00" L, BROWN	1	AC SWITCH TO PCB	
WP-000367-00	FAN ASSY, , BOP-2CH, ,	1		
WP-003313-00	PCB ASSY, , K12, UNIVERSAL SUPPLY,	1		

**K12 CHASSIS ASSY: QSC PART # WP-003304-00**

QSC Part #	Description	Qty	Reference (Item #)	Comments
CH-000849-01	GRILLE, , BLK, K12,	1	1	DRAWING: WP-003304-01
SG-000565-TS	K12 GRILLE ASSEMBLY KIT	1	1,19,34	DRAWING: WP-003304-01
CH-000850-01	HANDLE, , BLK, SPEAKERS,	2	2	DRAWING: WP-003304-01
CH-000869-01	THREADED INSERT, M5, , K-SERIES,	2	3	DRAWING: WP-003304-01
CH-000870-00	PLATE, HANDLE BACKING, , K-SERIES,	4	4	DRAWING: WP-003304-01
CH-000899-01	THREADED INSERT, M10, , K-SERIES,	3	5	DRAWING: WP-003304-01
MS-000415-GP	ACOUSTIC WOOL, 300*490*30, , ,	3	6	DRAWING: WP-003304-01
MS-000480-00	FELT PAD, POLE MOUNT, K-SERIES, ,	6	7	DRAWING: WP-003304-01
MS-000486-00	GASKET, OUTER, BUCKET, BOP-2CH,	1	8	DRAWING: WP-003304-01
MS-000496-00	SPACER, LED, , ,	1	9	DRAWING: WP-003304-01
MS-000501-00	GASKET, POLE CUP, K12, ,	1	10	DRAWING: WP-003304-01
MS-000543-00	GASKET, PE600MM X 10MM X 1.0MM THK, , ,	2	11	DRAWING: WP-003304-01
NW-000161-00	NUT, HEX FLG SERR, M5, , STL, CLR, ZINC CR3,	20	12	DRAWING: WP-003304-01
NW-000162-00	NUT, HEX, M10, , STL, CLR, ZINC CR3,	2	13	DRAWING: WP-003304-01
NW-000163-00	NUT, HEX, M16, , STL, CLR, ZINC CR3,	3	14	DRAWING: WP-003304-01
NW-000164-00	WSHR, SPLKG, M10, , , , STL, CLR, ZINC CR3,	2	15	DRAWING: WP-003304-01
NW-000165-00	WSHR, SPLKG, M16, , , , STL, CLR, ZINC CR3,	3	16	DRAWING: WP-003304-01
NW-000166-00	WSHR, FLT, M10, , , , STL, CLR, ZINC CR3,	2	17	DRAWING: WP-003304-01
NW-000167-00	WSHR, FLT, M16, , , , STL, CLR, ZINC CR3,	3	18	DRAWING: WP-003304-01
NW-000168-00	WSHR, RTNR, M8, , , , STL, CLR, ZINC CR3,	2	19	DRAWING: WP-003304-01
NW-000169-00	WSHR, SPLKG, M6, , , , STL, CLR, ZINC CR3,	4	20	DRAWING: WP-003304-01
NW-000170-00	WSHR, FLT, M6, , , , STL, CLR, ZINC CR3,	4	21	DRAWING: WP-003304-01
PL-000061-GP	GASKET, D32XD26.5X1MM, EVA BK, , ,	1	22	DRAWING: WP-003304-01
PL-000062-GP	GASKET, 1000X10X2MM, EVA B, , ,	1	23	DRAWING: WP-003304-01
PL-000587-01	GASKET, BAFFLE/BUCKET, K12, , BLK,	1	24	DRAWING: WP-003304-01
PL-000593-01	FOOT, ROUND, K10, , BLK,	2	25	DRAWING: WP-003304-01
PL-000599-01	FOOT, REAR, K12, , BLK,	1	26	DRAWING: WP-003304-01
PL-000602-01	POLE CUP, DUAL ANGLE, K12, , BLK,	1	27	DRAWING: WP-003304-01
PL-000603-01	POLE CUP, SELECTOR, ANGLE, K-SERIES, , BLK,	1	28	DRAWING: WP-003304-01
PL-000604-01	POLE CUP, RETAINER, SELECTOR, K-SERIES, , BLK,	1	29	DRAWING: WP-003304-01
SG-000566-TS	K12 POLE CUP ASSEMBLY KIT	1	7,10,27,28,29	DRAWING: WP-003304-01
PL-000608-01	FLARE, PORT, RIGHT, K12, , BLK,	1	30	DRAWING: WP-003304-01
PL-000620-01	PLUG, RUBBER, 5MM, , BLK,	2	31	DRAWING: WP-003304-01
PL-000621-01	PLUG, RUBBER, 10MM, , BLK,	3	32	DRAWING: WP-003304-01
PL-000625-01	FLARE, PORT, LEFT, , BLK, K12	1	33	DRAWING: WP-003304-01
PL-000659-01	LOGO, K12, , , BLK,	1	34	DRAWING: WP-003304-01
PL-000676-01	FOOT, LONG, BTM, K12, , BLK,	1	35	DRAWING: WP-003304-01
PL-000678-01	FOOT, LONG, TOP, K12, , BLK,	1	36	DRAWING: WP-003304-01
QD-000312-GP	LED, 3MM, BLUE SP, SLR343BB T 225419 ROHM, , ,	1	37	DRAWING: WP-003304-01
SG-000567-TS	K12 WIRING HARNESS ASSEMBLY KIT		9,37,50	DRAWING: WP-003304-01
SB-000080-01	BAFFLE, , K12, , BLK,	1	39	DRAWING: WP-003304-01

**K12 CHASSIS ASSY: QSC PART # WP-003304-00 (CONTINUED)**

QSC Part #	Description	Qty	Reference (Item #)	Comments
SG-000564-TS	K12 BAFFLE ASSEMBLY KIT	1	30,33,39	DRAWING: WP-003304-01
SC-000097-GP	SCR, PHH, PNH, , , , M5, 35 L, STL, BLK, ZINC CR3,	3	40	DRAWING: WP-003304-01
SC-000288-00	SCR, PHH, PNH, MACH, , , , M5, 20 L, STL CLASS 4.6, BLK, ZINC CR3,	18	41	DRAWING: WP-003304-01
SC-000300-00	SCR, PHH, PNH, MACH, , , , M5, 17 L, STL, BLK, ZINC CR3,	7	42	DRAWING: WP-003304-01
SC-000303-00	SCR, PHH, PNH, TPG, PLASTITE, , , , M4, 12 L, STL, BLK, ZINC CR3,	8	43	DRAWING: WP-003304-01
SC-000304-00	SCR, PHH, PNH, TPG, PLASTITE, , , , M4, 18 L, STL, BLK, ZINC CR3,	8	44	DRAWING: WP-003304-01
SC-000305-00	SCR, PHH, PNH, TPG, PLASTITE, , , , M5, 20 L, STL, BLK, ZINC CR3,	10	45	DRAWING: WP-003304-01
SC-000306-00	SCR, PHH, PNH, TPG, PLASTITE, , , , M5, 25 L, STL, BLK, ZINC CR3,	13	46	DRAWING: WP-003304-01
SC-000307-00	SCR, HEXHD CAP, CAP, , , , M6, 25 L, STL, BLK, ZINC CR3,	4	47	DRAWING: WP-003304-01
SP-000182-00	WOOFER, 12", PAPER, FERRITE, CELESTION, K12	1	48	DRAWING: WP-003304-01
SP-000184-00	COMPRESSION DRIVER, 1.75", PETP, NEOD, CELESTION, K-SERIES	1	49	DRAWING: WP-003304-01
WC-000458-00	WIRE HARNESS, , , , K12, ,	1	50	DRAWING: WP-003304-01
WP-003309-00	CHASSIS ASSY, MAIN, K12, UNIVERSAL SUPPLY,	1	51	DRAWING: WP-003304-01

**KSUB PARTS LIST (JUNE 2010)****KSUB PCB ASSEMBLY PARTS LIST (JUNE 2010)****KSUB: QSC PART # WP-003314-00**

QSC Part #	Description	Qty	Reference	Comments
CA-010002-30	10PF, 5 PCNT, 50V, CERAMIC NPO, 0805,	2	C10, C11	
CA-018002-30	18PF, 5 PCNT, 50V, CERAMIC NPO, SMT,	2	C59, C61	
CA-110001-10	100PF, 5 PCNT, 500V, MICA, DIPPED,	2	C126, C127	
CA-110002-30	100PF, 5 PCNT, 50V, CERAMIC NPO, 0805,	4	C75, C76, C77, C78	
CA-112001-30	120PF, 5 PCNT, 200V, CERAMIC NPO, 0805,	12	C1, C19, C20, C22, C28, C29, C30,	
CA-122002-30	220PF, 5 PCNT, 50V, CERAMIC NPO, 0805,	7	C117, C49, C51, C93, C94, C95, C96	
CA-122011-00	220PF, 10 PCNT, 250VAC, CERAMIC CLASS Y1, DISC, YCAP	1	C52	
CA-168003-30	680PF, 5 PCNT, 50V, CERAMIC NPO, 0805,	2	C72, C73	
CA-222001-00	0.0022UF, 20 PCNT, 125VAC, CERAMIC Y5U, DISC, YCAP	3	C104, C105, C124	
CA-233003-30	0.0033UF, 10 PCNT, 50V, CERAMIC X7R, 0805,	2	C122, C50	
CA-239002-30	0.0039UF, 5 PCNT, 50V, CERAMIC COG/NPO, 0805,	2	C6, C7	
CA-322013-30	0.022UF, 10 PCNT, 500V, CERAMIC X7R, 1206,	6	C111, C114, C123, C130, C132, C57	
CA-347008-10	0.047UF, 10 PCNT, 250V, FILM, BOX,	5	C2, C32, C36, C46, C89	
CA-368007-30	0.068UF, 10 PCNT, 100V, CERAMIC X7R, 0805,	1	C55	
CA-410001-00	0.1UF, 20 PCNT, 250VAC, FILM, BOX STYLE, XCAP	1	C108	
CA-410012-30	0.1UF, 10 PCNT, 25V, CERAMIC X7R, 0805,	32	C100, C106, C107, C118, C12, C120, C121, C138, C21, C26, C27, C3, C33, C39, C41, C47, C5, C63, C64, C68,	
CA-410027-10	0.1UF, 5 PCNT, 100V, FILM, BOX STYLE,	2	C109, C119	
CA-468005-10	0.68UF, 5 PCNT, 100V, FILM, DIPPED/BOX,	3	C125, C34, C35	
CA-468006-00	0.68UF, 5 PCNT, 250V, METALLIZED FILM, BOX,	2	C116, C149	
CA-468007-00	0.68UF, 20 PCNT, 250VAC, FILM, BOX STYLE, X2 CAP	2	C101, C102	
CA-510007-30	1.0UF, 20 PCNT, 16V, CERAMIC Y5V, 0805,	6	C115, C128, C137, C148, C38, C44	
CA-610011-30	10UF, 20 PCNT, 16V, ELECTROLYTIC, SMT, NON-POLAR	5	C54, C79, C80, C97, C98	
CA-610021-30	10UF, 20 PCNT, 25V, CERAMIC CAP, 1206,	19	C13, C14, C103, C110, C15, C16, C17, C18, C23, C24, C37, C48, C56, C65,	
CA-710004-10	100UF, 20 PCNT, 25V, ELECTROLYTIC, , LOW ESR	5	C129, C133, C134, C42, C62	



**KSUB: QSC PART # WP-003314-00 (CONTINUED)**

QSC Part #	Description	Qty	Reference	Comments
CA-747011-00	470UF, 20 PCNT, 400V, ELECTROLYTIC, SNAP IN,	2	C112, C113	
CA-810009-10	1000UF, 20 PCNT, 16V, ELECTROLYTIC, ,	3	C25, C145, C45	
CA-818001-00	1800UF, 20 PCNT, 100V, ELECTROLYTIC, 22MM X 40MM SNAP IN,	2	C135, C136	
CO-000009-ZT	ZTAB, 0.25" TAB, 1 POS, MALE, AUTO INSERTABLE	2	J14, J15	
CO-000155-00	HEADER, 0.1" CENTERS, 2 POS (1X2), MALE, RAMP LOCK	1	J5	
CO-000329-00	WIRE HOLDER, RIBBON CABLE, 10 POS, FEMALE,	1		
CO-000355-00	TERMINAL STRIP, , 10 POS (2X5), MALE,	1	J7	
CO-000413-00	HEADER, 4.2MM CENTERS, 10 POS (2X5), MALE,	1	J3	
CO-000414-00	XLR, COMBO, 3 POS, FEMALE, VERTICAL WITHOUT TAB	2	J10, J8	
CO-000421-00	XLR, , 3 POS, MALE, VERTICAL PLASTIC SHELL	2	J11, J9	
CO-000422-00	JACK, EURO, 3 POS, MALE, VERTICAL BLACK TALL	1	J6	
CO-000426-00	WIRE TRAP, RIBBON CABLE, 10 POS, FEMALE, RELEASABLE	1	J2B	
CY-000009-30	12.288MHZ, , SMT	1	Y1	
HW-000007-HW	SOB-FUSE CLIP, PC MOUNT, , , TIN PLATED BRASS, 5MM	2		REF: F1
IC-000048-30	OPAMP, DUAL, MC33078, ,	4	U1, U14, U17, U19	
IC-000157-30	REGULATOR, SHUNT, ZR431, ,	1	U6	
IC-000200-30	RESET, MICROPROCESSOR, MAX809S, ,	1	U12	
IC-000279-30	COMPARATOR, DUAL, LM319, SMT,	2	U2, U4	
IC-000315-00	SENSOR, TEMPERATURE, LM19CIZ, ,	1	U9	
IC-000382-30	DSP 28/56 BIT, , ADAU1701, ,	1	U10	
IC-000407-30	EEPROM, 8KX8, 24C64A, SMT, I2C	1	U11	
IC-000412-30	CONTROLLER, ACTIVE CLAMP PWM, UCC2893, SMT,	1	U15	
IC-000413-30	DRIVER, MOSFET HALF BRIDGE, IRS20957, SMT,	2	U5, U7	
IC-000420-30	VOLTAGE REGULATOR, +3.3V, NCP1117ST33, SOT223,	1	U8	
IC-000425-30	OPTO COUPLER, TRANSISTOR OUTPUT, MOC205R2V-M, SMT,	1	U3	
IC-000431-30	VOLTAGE REGULATOR, +12V, LM78L12A, SO-8,	1	U16	
IC-000505-30	COMPARATOR, DUAL, LM393A, SO-8, VIO = 2MV MAX	1	U13	
MS-000115-30	FUSE, 1.0A, 24V, 1206, SLO	3	F2, F3, F4	
MS-10.250-FU	FUSE, 10A, 250V, 5MM X 20MM, FAST	1	F1	
PC-003311-00	PCB, K-SERIES, , MAIN AMP,	1		
PG-000213-00	APPLICATION CODE, , KSUB, ,	0		
PL-000121-00	SPACER, LED/TO-92, 0.18", PVC, BLACK,	1		REF U9
PL-000628-00	SPACER, T-1 LED, 0.85", PLASTIC, BLACK,	4		REF: LD1, LD2, LD4, LD7
PL-000643-00	SPACER, LED/TO-92, .115" (3MM), PVC, BLACK,	1		
PL-000686-00	SPACER, ROUND, 0.063"ID X 0.156"OD X 0.510"L, NYLON, ,	1		J6 MIDDLE PIN
PT-250006-00	GAIN, 5K, 20 PCNT, , 21 DETENT, GX SERIES	1	VR1	
QD-000052-00	LED, , , GREEN, , DIFFUSED	2	LD4, LD7	
QD-000054-00	LED, , , RED, , NA	1	LD1	
QD-000102-30	DIODE, 75V, 0.075A, , IMBD4148, SOT-23, 4NS	10	D15, D16, D1, D13, D2, D22, D25,	
QD-000103-30	TRANSISTOR NPN, 40V, 0.2A, 0.2W, MMST3904, SOT-23,	5	Q1, Q11, Q12, Q17, Q6	
QD-000104-30	TRANSISTOR PNP, 40V, 0.2A, 0.2W, MMST3906, SOT-23,	2	Q10, Q8	
QD-000105-30	TRANSISTOR NPN, 300V, 0.2A, 0.2W, MMBTA42, SOT-23,	1	Q15	
QD-000108-30	DIODE, 200V, 0.2A, , BAS21, SOT-23, 50NS	8	D10, D11, D12, D14, D27, D29, D40,	
QD-000187-00	LED, , , BLUE, , NA	1	LD2	
QD-000189-30	DIODE SCHOTTKY, 30V, 0.2A, , BAT54S, SOT-23,	3	D17, D37, D4	
QD-000282-30	DIODE RECTIFIER ULTRAFast, 200V, 1A, , ES1D, SMA,	9	D28, D3, D31, D32, D36, D43, D5, D6,	
QD-000284-00	MOSFET N-CHANNEL, 600V, 26A, 313W, STW26NM60, TO-247,	1	Q14	
QD-000363-30	DIODE, SCHOTTKY, 30V, 2.0A, , MBR230, SOD-123,	4	D23, D24, D38, D39	
QD-000372-00	BRIDGE RECTIFIER, , , KBU1005, IN-LINE, 600V 10A	1	BR1	
QD-000373-00	MOSFET N-CHANNEL, 200V, 18A, 100W, IRFB4020, TO-220AB,	4	Q2, Q3, Q4, Q5	
QD-000376-00	MOSFET N-CHANNEL, 600V, 11A, 160W, STP11NM60FD, TO-220,	1	Q13	
QD-000391-00	DIODE RECTIFIER, 600V, 8A, , FFP08S60S, TO-220, 15NS STEALTH II	2	D33, D34	
QD-000394-10	TRANSISTOR NPN, 50V, 2A, 0.9W, 2SC2655, TO-92MOD,	2	Q16, Q7	

**KSUB: QSC PART # WP-003314-00 (CONTINUED)**

QSC Part #	Description	Qty	Reference	Comments
RD-000511-00	STICKER, FIRMWARE, K-SERIES	0		
RE-15002-30	1.5, 5 PCNT, 1W, THICK FILM, 2512, 200V	4	R16, R174, R184, R56	
RE-28701-30	2.87, 1 PCNT, 1/10W, THICK FILM, 0805, 100V	4	R155, R49, R51, R121	
RE-000002-30	0, , , THICK FILM, 0805, JUMPER	5	R106, R107, R3, R154, R74	
RE-000300-NR	NTC, 2.5 OHMS, 8 AMPS, , , INRUSH LIMIT 90J	1	R140	
RE-001003-30	10, 1 PCNT, 1/8W, THICK FILM, 1206, 200V	10	R157, R168, R169, R182, R183, R196,	
RE-001006-30	10, 1 PCNT, 1/10W, THICK FILM, 0805, 100V	3	R125, R165, R72	
RE-001960-30	19.6, 1 PCNT, 1/8W, THICK FILM, 1206, 200V	4	R60, R61, R62, R63	
RE-002100-30	21, 1 PCNT, 1/10W, THICK FILM, 0805, 100V	13	R12, R15, R57, R1, R102, R103, R2,	
RE-010002-30	100, 1 PCNT, 1/10W, THICK FILM, 0805, 100V	9	R58, R59, R64, R82, R187, R100,	
RE-010018-10	100, 5 PCNT, 2W, METAL OXIDE FP, MINI,	3	R161, R162, R166	
RE-024301-30	243, 1 PCNT, 1/10W, THICK FILM, 0805, 100V	4	R180, R181, R185, R186	
RE-047502-30	475, 1 PCNT, 1/10W, THICK FILM, 0805, 100V	3	R28, R79, R68	
RE-076801-30	768, 1 PCNT, 1/10W, THICK FILM, 0805, 100V	1	R153	
RE-110002-30	1.00K, 1 PCNT, 1/10W, THICK FILM, 0805, 100V	9	R158, R167, R18, R20, R21, R24, R29,	
RE-111301-30	1.13K, 1 PCNT, 1/10W, THICK FILM, 0805, 100V	10	R73, R77, R163, R164, R171, R177,	
RE-122103-30	2.21K, 1 PCNT, 1/10W, THICK FILM, 0805, 100V	14	R117, R118, R13, R151, R17, R178,	
			R179, R33, R35, R6, R70, R83, R85,	
RE-136502-30	3.65K, 1 PCNT, 1/10W, THICK FILM, 0805, 100V	7	R160, R44, R45, R66, R76, R78, R9	
RE-145302-30	4.53K, 1 PCNT, 1/10W, THICK FILM, 0805, 100V	4	R36, R37, R5, R67	
RE-156200-30	5.62K, 1 PCNT, 1/10W, THICK FILM, 0805, 100V	11	R10, R88, R89, R90, R91, R92, R93,	
RE-163402-30	6.34K, 1 PCNT, 1/10W, THICK FILM, 0805, 100V	4	R148, R8, R32, R34	
RE-178701-30	7.87K, 1 PCNT, 1/10W, THICK FILM, 0805, 100V	1	R141	
RE-210001-BM	10.0K, 1 PCNT, 1/4W, METAL FILM, ,	2	R19, R22	
RE-210003-30	10.0K, 1 PCNT, 1/10W, THICK FILM, 0805, 100V	10	R113, R114, R115, R116, R14, R4,	
RE-211005-00	11K, 5 PCNT, 1W, METAL OXIDE FP, ,	5	R144, R145, R146, R147, R65	
RE-214001-30	14.0K, 1 PCNT, 1/10W, THICK FILM, 0805, 100V	4	R130, R40, R41, R120	
RE-217803-30	17.8K, 1 PCNT, 1/10W, THICK FILM, 0805, 100V	4	R124, R137, R176, R75	
RE-220002-30	20.0K, 1 PCNT, 1/10W, THICK FILM, 0805, 100V	9	R104, R105, R111, R112, R84, R96,	
RE-229402-30	29.4K, 1 PCNT, 1/10W, THICK FILM, 0805, 100V	1	R150	
RE-256001-00	56K, 5 PCNT, 1W, METAL OXIDE FP,	1	R170	
RE-263401-30	63.4K, 1 PCNT, 1/10W, THICK FILM, 0805, 100V	3	R173, R143, R149	
RE-282501-30	82.5K, 1 PCNT, 1/8W, THICK FILM, 1206, 200V	4	R152, R172, R188, R189	
RE-310002-30	100K, 1 PCNT, 1/10W, THICK FILM, 0805, 100V	6	R11, R138, R142, R71, R80, R81	
RE-315002-30	150K, 1 PCNT, 1/8W, THICK FILM, 1206, 200V	6	R135, R136, R26, R27, R48, R50	
RE-324302-30	243K, 1 PCNT, 1/8W, THICK FILM, 1206, 200V	2	R133, R134	
RE-410005-30	1.0M, 1 PCNT, 1/10W, THICK FILM, 0805, 100V	1	R123	
SW-000111-00	SWITCH, DPDT, SLIDE, PCB MOUNT 0.805" TERMINALS	2	SW1, SW3	
SW-000112-00	SWITCH, DP3POS, SLIDE, PCB MOUNT 0.805" TERMINALS	1	SW2	
WC-000398-00	RIBBON CABLE, , 26 AWG, 10 CONDUCTOR, PLX2 SERIES, 8.0 IN	1	J2A	
WC-1.1022-JW	WIRE, JUMPER, 22 GA, , BOP, 1.1, WHT	1	W1	
XF-000100-30	BEAD, 100MHZ, 1K OHM, SMT	6	L10, L3, L4, L7, L8, L9	
XF-000360-30	TRANSFORMER, CURRENT SENSE, , , , , 100:1 BOP-2CH	1	T1	
XF-000361-30	TRANSFORMER, GATE DRIVE, , , , BOP-2CH, ,	1	T3	
XF-000362-00	TRANSFORMER, SWITCHING, 200KHZ, E42-21-20, 1000W, BOP-	1	T2	
XF-000364-00	INDUCTOR, , TOROID T94-2, 30UH, BOP-2CH, ,	2	L1, L2	
XF-000376-00	INDUCTOR, COMMON MODE, TOROID, 4MH, BOP, , 50/60HZ 6.3A	2	L11, L12	
XF-000377-00	INDUCTOR, 60HZ PFC, TOROID, 774UH, BOP, ,	1	L13	
XF-000364-00	INDUCTOR, , TOROID T94-2, 30UH, BOP-2CH, ,	2	L1, L2	
XF-000376-00	INDUCTOR, COMMON MODE, TOROID, 4MH, BOP, , 50/60HZ 6.3A	2	L11, L12	
XF-000377-00	INDUCTOR, 60HZ PFC, TOROID, 774UH, BOP, ,	1	L13	

**KSUB POWER AMP ASSY: QSC PART # WP-003310-00**

QSC Part #	Description	Qty	Reference	Comments
CH-000856-00	CHASSIS, MAIN, BUCKET, BOP-2CH,	1		
CH-000885-00	PANEL, INPUT, BOP-2CH, KSUB,	1		
CH-000880-00	CLAMP, TRANSISTOR, , BOP-2CH,	2		
CH-000886-00	SHIELD, LINE FILTER, , BOP-2CH,	1		
CO-000386-00	JACK, IEC, 3 POS, FEMALE, LOCKING	1		
MS-000487-00	GASKET, PCB CONNECTOR, SPEAKER, BOP-2CH,	1		
NW-000034-00	WSHR, SPLKG, , M3, 3.4 ID, 6.2 OD, 0.7 THK, STL, CLR, ZINC CR3,	4	FAN	
NW-000173-00	WSHR, FLT, M3, , 3.2 ID, 8.0 OD, 1.0 THK, STL, BLK, ZINC CR3,	8	FAN	
NW-000140-00	NUT, HEX KEPS W/TOOTH WSHR, M4, , STL, CLR, ZINC,	1	GROUND	
NW-000147-00	NUT, HEX, M3, , STL, CLR, ZINC CR3,	4	FAN	
PL-000085-00	INSULATOR, TRANSISTOR, 1.525" X 0.950", ALUMINA, ,	4		
PL-000627-00	SPRINGSEAT, TRANSISTOR, BOP, NYLON, ,	2		
PL-000636-00	KNOB, , K-SERIES, PLASTIC, BLACK,	1		
SC-000205-00	SCR, PHH, PNH SERR BSE, MACH, TAPTITE TYPE B0, , , M4, 10 L, STL, BLK, ZINC CR3,	12	INPUT PLATE	
SC-000229-00	SCR, PHH, PNH, MACH, , , , M3, 8 L, STL, BLK, PHOS W/6219,	4	INPUT BOARD	
SC-000230-00	SCR, PHH, FLH, TPG, TYPE AB, , , #4-24, 3/8 L, STL, BLK, ZINC CR3,	2	AC INLET	
SC-000240-00	SCR, PHH, PNH, MACH, , , , M3.5, 20 L, STL, CLR, ZINC CR3,	2	TRANSISTOR SPRING CLAMP	
SC-000241-00	SCR, PHH, PNH, MACH, , , , M3.5, 8 L, STL, CLR, ZINC CR3,	14	MAIN PCB, EMI SHIELD, PCB, SPEAKER CONNECTOR	
SC-043051-PP	PHILLIPS, PANHEAD, #4-20, 0.313" L, BLACK, STEEL "PLASTITE"	8	INPUT CONNECTORS	
SW-000016-SW	AC SWITCH, SPST, 20A, 125VAC,	1		
WC-000466-00	CABLE ASSY, AC, 16 AWG, 3 CONDUCTOR, BOP-2CH, 5.50" L,	1		
WC-000467-00	WIRE ASSY, AC SWITCH, 16 AWG, 1 CONDUCTOR, BOP-2CH, 5.00" L, BROWN	1	AC SWITCH TO PCB	
WP-000367-00	FAN ASSY, , BOP-2CH, ,	1		
WP-003314-00	PCB ASSY, , KSUB, UNIVERSAL PWR SUPPLY W/INPUT BOARD,	1		

**KSUB CHASSIS ASSY: QSC PART # WP-003306-00**

QSC Part #	Description	Qty	Reference (Item #)	Comments
CH-000850-01	HANDLE, , BLK, SPEAKERS,	2	1	DRAWING: WP-003306-01
CH-000870-00	PLATE, HANDLE BACKING, , K-SERIES,	4	2	DRAWING: WP-003306-01
CH-000889-00	POLE MOUNT, THREADED, M20, KSUB,	1	3	DRAWING: WP-003306-01
MS-000074-GP	ACOUSTIC WOOL, 200X600X30, , ,	4	4	DRAWING: WP-003306-01
MS-000259-GP	CASTER, SWIVEL, 3 INCH, ,	4	5	DRAWING: WP-003306-01
MS-000486-00	GASKET, OUTER, BUCKET, BOP-2CH,	1	6	DRAWING: WP-003306-01
NW-000171-00	WSHR, SPLKG, M5, , , , STL, CLR, ZINC CR3,	16	7	DRAWING: WP-003306-01
NW-000172-00	WSHR, FLT, M5, , , 18 OD, , STL, CLR, ZINC CR3,	16	8	DRAWING: WP-003306-01
PL-000062-GP	GASKET, 1000X10X2MM, EVA B, , ,	10	9	DRAWING: WP-003306-01
PL-000066-GP	EVA GASKET, 5X500, , , ,	3	10	DRAWING: WP-003306-01
PL-000445-GP	FEET, HPR SUBS, , RUBBER, ,	4	11	DRAWING: WP-003306-01
PL-000479-GP	LED HOLDER, FOR HPR, , , ,	1	12	DRAWING: WP-003306-01
PL-000638-01	BAFFLE SIDE/PORT, KSUB, , , ,	2	13	DRAWING: WP-003306-01
PL-000640-01	HANDLE BACK CUP, KSUB, , , ,	2	14	DRAWING: WP-003306-01
PL-000659-01	LOGO, K12, , , BLK,	1	15	DRAWING: WP-003306-01
QD-000312-GP	LED, 3MM, BLUE SP, SLR343BB T 225419 ROHM, , ,	1	16	DRAWING: WP-003306-01
SB-000089-01	ENCLOSURE, , KSUB, , , ,	1	17	DRAWING: WP-003306-01
SC-000097-GP	SCR, PHH, PNH, , , , M5, 35 L, STL, BLK, ZINC CR3,	4	18	DRAWING: WP-003306-01

**KSUB CHASSIS ASSY: QSC PART # WP-003306-00 (CONTINUED)**

<b>QSC Part #</b>	<b>Description</b>	<b>Qty</b>	<b>Reference (Item #)</b>	<b>Comments</b>
SC-000252-00	SCR, PHH, PNH, WOOD, , , , M5, 12 L, STL, BLK, ZINC CR3,	4	19	DRAWING: WP-003306-01
SC-000253-00	SCR, PHH, PNH, WOOD, , , , M5, 40 L, STL, BLK, ZINC CR3,	8	20	DRAWING: WP-003306-01
SC-000256-00	SCR, PHH, PNH, TPG, PLASTITE, , , , M5, 45 L, STL, BLK, ZINC CR3,	8	21	DRAWING: WP-003306-01
SC-000283-00	SCR, PHH, PNH, MACH, , , , M5, 25 L, CLASS 4.6, BLK, ZINC, CR3	36	22	DRAWING: WP-003306-01
SC-000288-00	SCR, PHH, PHN, MACH, , , , M5, 20 L, STL CLASS 4.6, BLK, ZINC CR3,	18	23	DRAWING: WP-003306-01
SP-000183-00	WOOFER, 12", PAPER, FERRITE, CELESTION, KSUB	2	24	DRAWING: WP-003306-01
WC-000493-00	WIRE HARNESS, , , , KSUB, ,	1	25	DRAWING: WP-003306-01
WP-003310-00	CHASSIS ASSY, MAIN, KSUB, UNIVERSAL SUPPLY,	1	26	DRAWING: WP-003306-01