

THIS DOCUMENT CONTAINS PROPRIETARY INFORMATION WHICH IS THE PROPERTY OF QSC AUDIO PRODUCTS, THAT MAY NOT BE DISCLOSED, REPRODUCED OR USED WITHOUT EXPRESS WRITTEN CONSENT FROM QSC AUDIO PRODUCTS.

| REVISIONS |     |  |         |          |
|-----------|-----|--|---------|----------|
| ZONE      | REV | DESCRIPTION                            | DATE    | APPROVED |
| B8        |     | PRODUCTION RELEASE PER ECO 1272 RDS/PO | 11-4-91 |          |
| B4        |     | REVISED PER ECO 2009                   | 6.      |          |

**SCHEMATIC, 2-CH POWER AMPLIFIER, MX-1000-A**  
 REV B3, 11-4-91, PER PC-001510-00 REV B, PC-001511-00 REV B, PC-001512-00 REV B  
 DOC NO. SH-001010-00 FILE SH-1010B.FCD, SEED FILE SH1010B3.FCD

PART NUMBERING SCHEDULE FOR PCBs USED IN MX-1000-A:

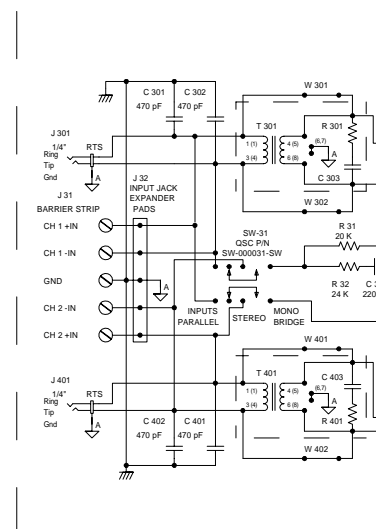
| PCB NUMBER   | DESCRIPTION | CH 1 PARTS                     | CH 2 PARTS | PARTS IN COMMON |
|--------------|-------------|--------------------------------|------------|-----------------|
| PC-001511-00 | DISPLAY PCB | 101-199                        | 201-299    | 10-29           |
| PC-001512-00 | INPUT PCB   | 301-399                        | 401-499    | 31-49           |
| PC-001513-00 | AMP PCB     | 501-599                        | 601-699    | 51-69           |
| PC-004103-00 | AC PCB      | 901-UP (CH 1, CH2 ON SAME PCB) |            |                 |

SCHEDULE OF TEST POINTS: J 502-1, ETC

CH A CH B

J 502-1 J 602-1 NEGATIVE LIMITING VOLTAGE  
 J 502-2 J 602-2 POSITIVE LIMITING VOLTAGE  
 J 502-3 J 602-3 NOT USED  
 J 502-4 J 602-4 AMPLIFIER LOOP OPAMP OUTPUT  
 J 502-5 J 602-5 SWITCHED POS AMPLIFIER RAIL—CAUTION, HIGH VOLTAGE  
 J 502-6 J 602-6 SWITCHED NEG AMPLIFIER RAIL—CAUTION, HIGH VOLTAGE

**PC-001512-00 MX-A SERIES INPUT PCB**

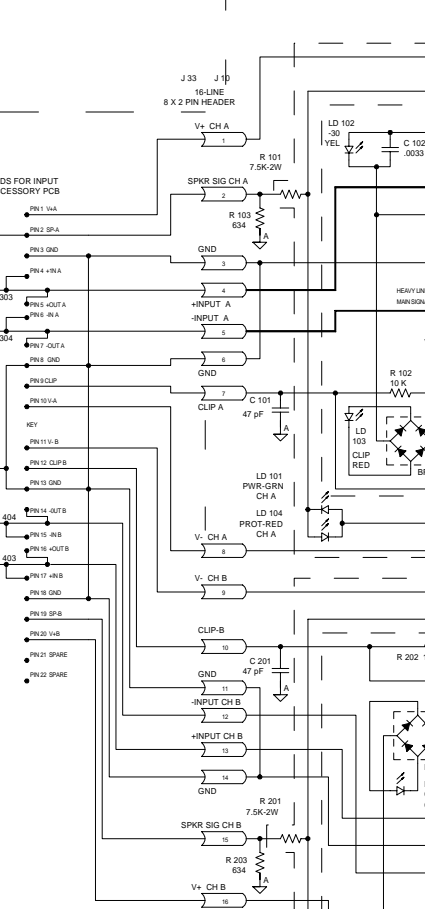


**INPUT PCB NOTES**

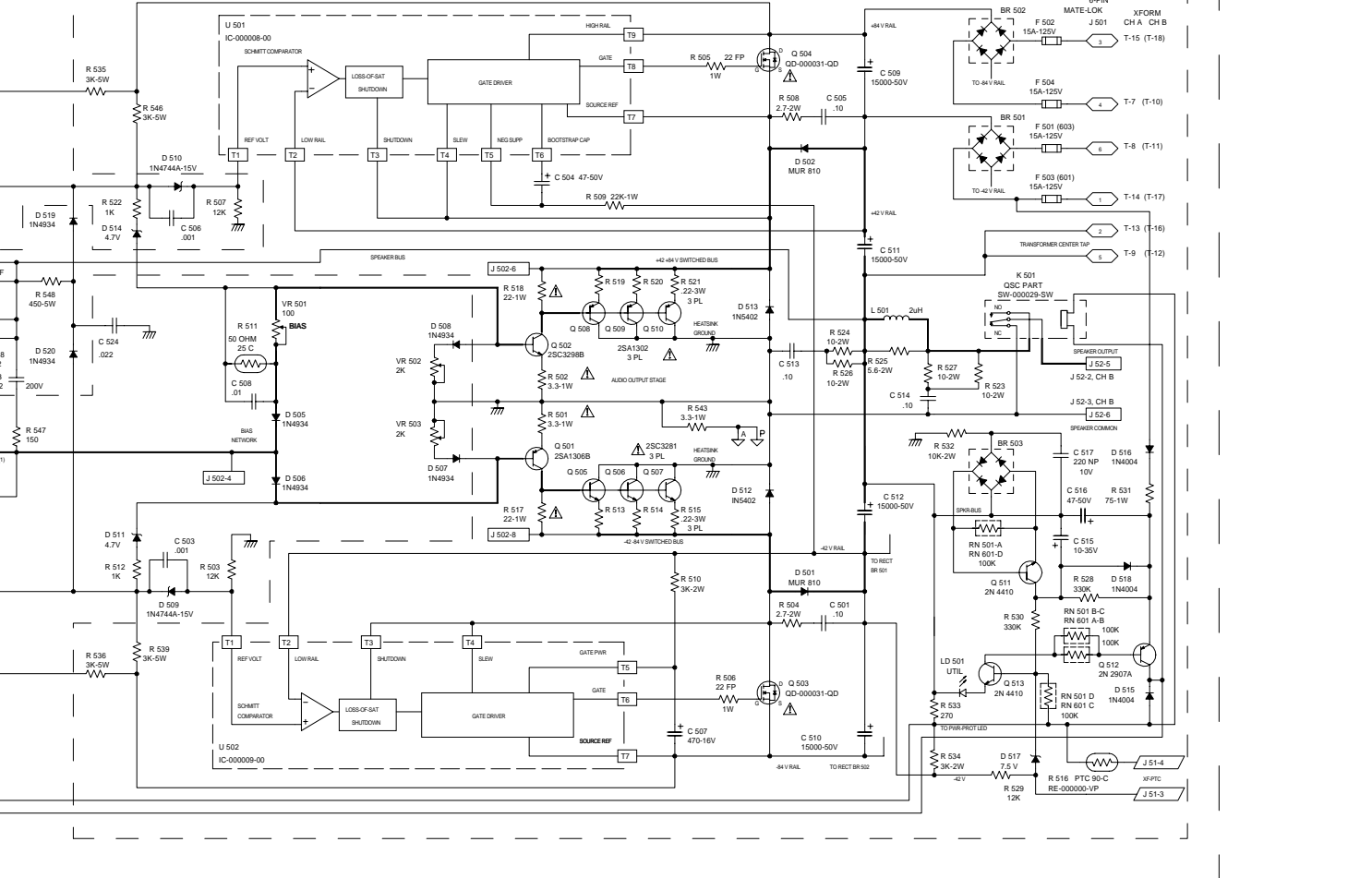
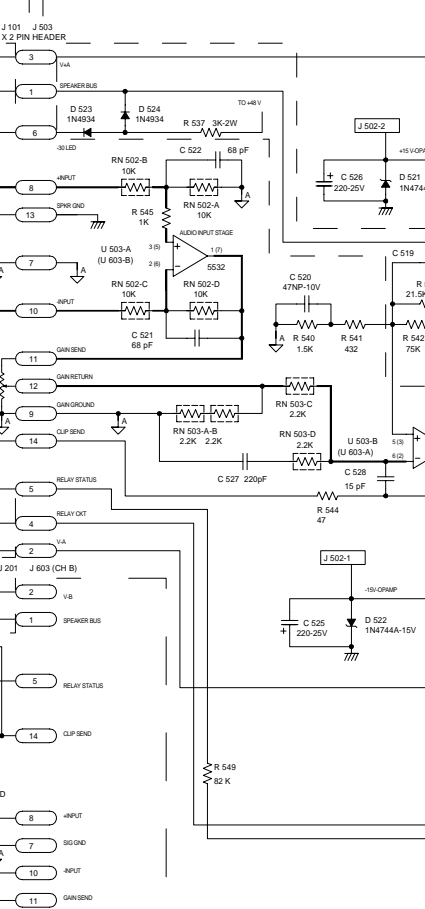
- BOARD SHIPPED WITH W 301-304, W 401-404 MOUNTED AS SHOWN.
- PARTS WITHIN DOTTED OUTLINE FOR USER MODIFICATION. SEE MANUAL.
- TRANSFORMER PIN NUMBERS: 1-6 TRIAD TY-144P (1-8 JENSEN JT 8043)

REV NOTES, REMOVE FOR RELEASE PRINTS.

**PC-001511-00 MX-A SERIES DISPLAY PCB**



**PC-001510-00 AMPLIFIER PCB**



- NOTES:
- CH B IDENTICAL TO CH A, EXCEPT PART NUMBER SEQUENCE R 601, 602 ETC.
  - ALL RESISTORS 1/4-WATT, 5% UNLESS NOTED.
  - ALL CAPACITORS 100V UNLESS NOTED.
  - TOLERANCE 20% FOR ELECTROLYTIC TYPES, 10% ON OTHER TYPES.
  - R 516, 616 IS POSITIVE TEMPERATURE COEFFICIENT RESISTOR, MTD TO HEAT SINK, RESISTANCE 100 OHM COLD, RISING AT 85 C. QSC PIN RE-000003-PT.
  - Q 503, 504, 603, 604 ARE SWITCHING FETS, QSC PIN QD-000031-QD.
  - 125 W, 60 V MINIMUM ON-RESISTANCE 0.030 OHMS MAX.
  - ZENERS D 517, 617, MARKED 7.5 V, LOW LEAKAGE, QSC PIN QD-0007-5-ZT.
  - BRIDGE RECTIFIER BR 503, 603, 1.5A, 100V.
  - PARTS MARKED WITH TRIANGLE REPLACED WITH EXACT TYPE ONLY.
  - PARTS WITHIN DOTTED OUTLINE VOLTAGE GREATER THAN 42V.

LAST USED REFERENCE DESIGNATORS

| CHANNEL A-B | BRIDGE RECTIFIER   | BR 503-603 |
|-------------|--------------------|------------|
|             | CAPACITOR          | C 526-626  |
|             | DIODE              | D 524-624  |
|             | JUMPER             | J 503-603  |
|             | INDUCTOR           | L 501-601  |
|             | LED                | LD 501-601 |
|             | TRANSISTOR         | Q 514-614  |
|             | RESISTOR           | R 549-649  |
|             | RESISTOR NETWORK   | RN 503-603 |
|             | INTEGRATED CIRCUIT | U 503-603  |
|             | VARIABLE RESISTOR  | VR 503-603 |

CH B IS LAID OUT ON RIGHT SIDE OF PC-001510-00  
 CIRCUIT SAME AS CHANNEL A ABOVE.  
 SEE PART NUMBERING SCHEDULE.

**PARTS LIST**

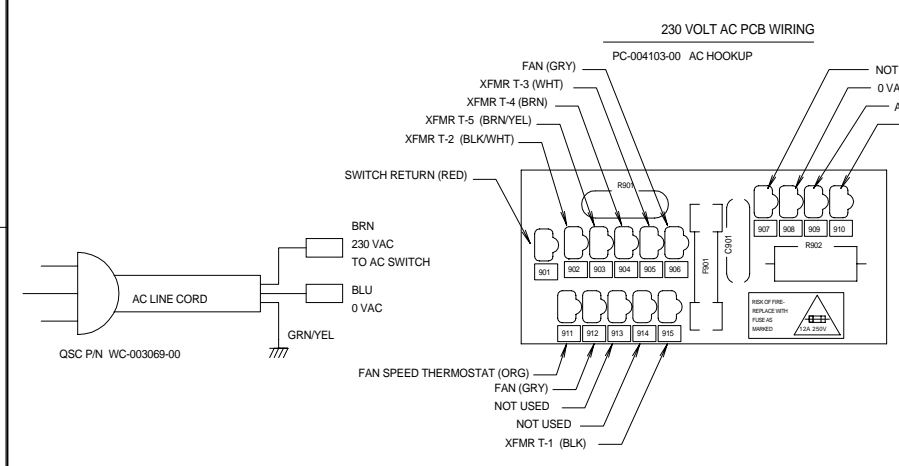
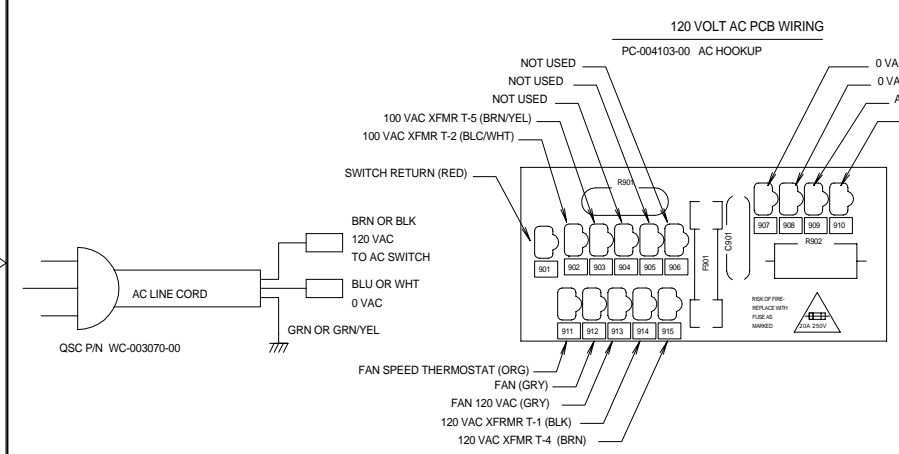
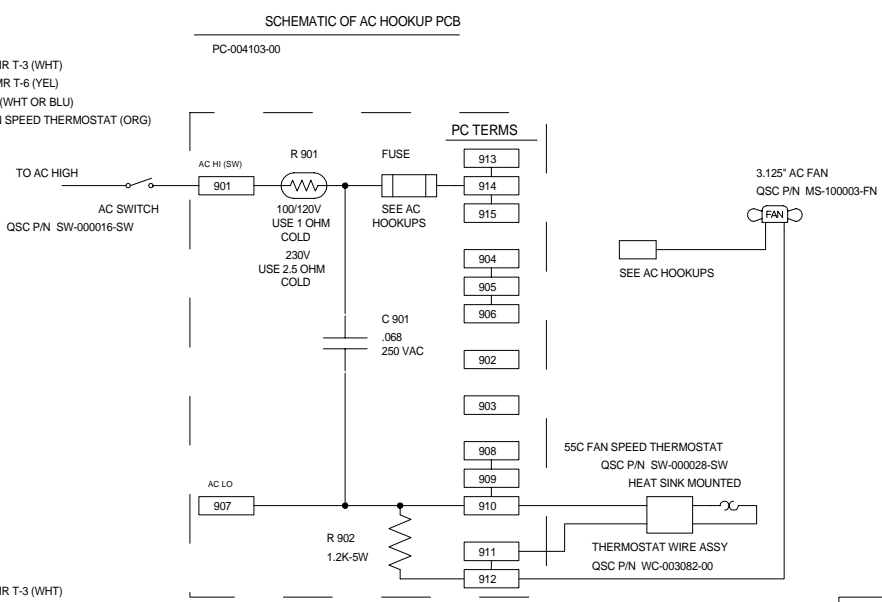
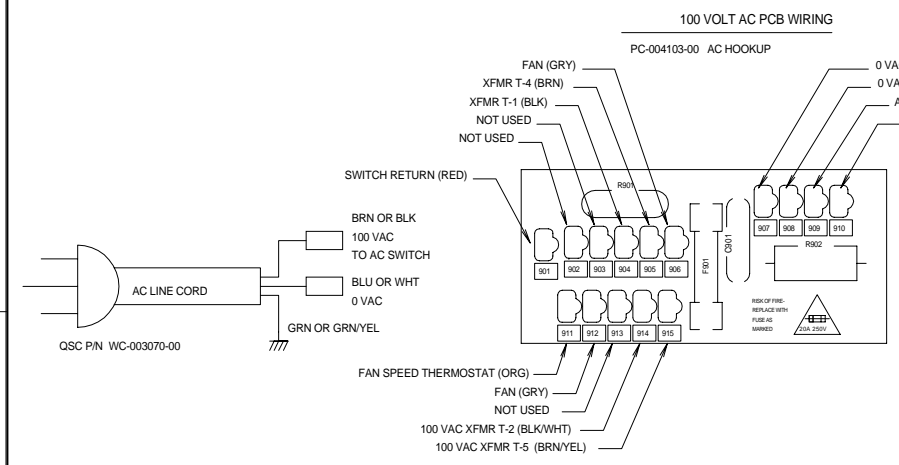
|  |          |                      |                   |  |              |
|--|----------|----------------------|-------------------|--|--------------|
| UNLESS OTHERWISE SPECIFIED DIMENSIONS ARE IN INCHES. DIMENSIONS PER ANSI Y14.5-1982. TOLERANCES ARE: |          | CONTRACT NO.         |                   | QSC AUDIO PRODUCTS, INC.<br>COSTA MESA, CALIFORNIA |              |
| DECIMALS   | DECIMALS | ANGLES               |                   |  |              |
| xx +   | xxx +    | °                    | APPROVALS         | DATE   |              |
| MATERIAL   |          |                      | DRAWN             | PHQ  | 10-24-91     |
|  |          |                      | CHECKED           | SGM  | 3-23-92      |
|  |          |                      | ISSUED            |  |              |
| WP-001001-00   | MX 1000a | FINISH               | SIZE              | FROM NO.   | DWG NO.      |
| NEXT ASSY  | USED ON  |                      | D                 |  | SH-001010-00 |
| APPLICATION  |          | DO NOT SCALE DRAWING | CAD SEED FILE NO. | CAD FILE NO.                                       | SHEET        |
|  |          |                      | SH-1010B.FCD      | S1000B41.FCD                                       | 1 OF 1       |

1. PLOTTED AT 1/2 SCALE.  
 NOTES: UNLESS OTHERWISE SPECIFIED

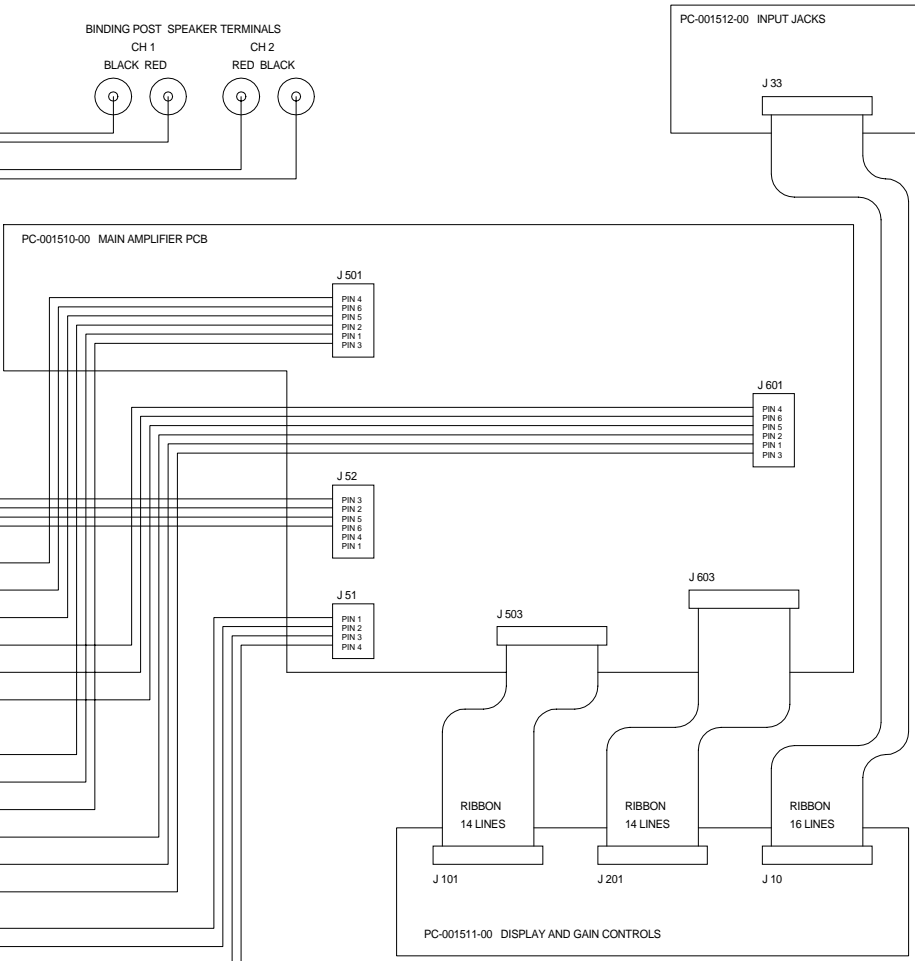
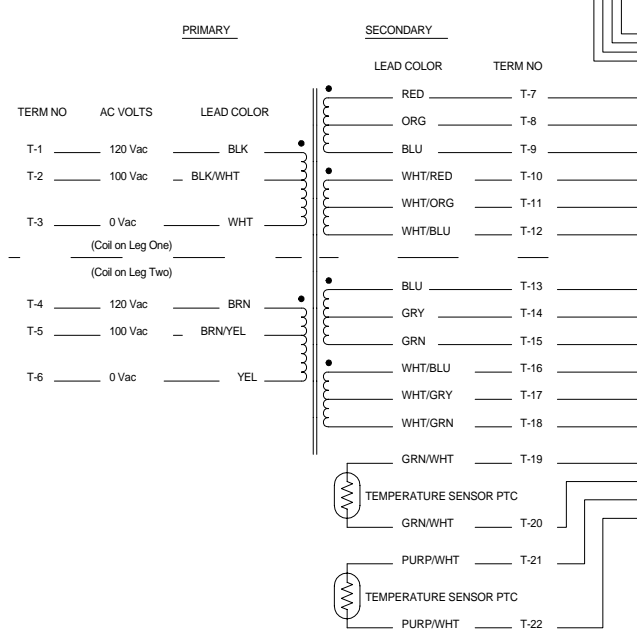
SH-001010-00 1 REV B4

THIS DOCUMENT CONTAINS PROPRIETARY INFORMATION WHICH IS THE PROPERTY OF QSC AUDIO PRODUCTS, THAT MAY NOT BE DISCLOSED, REPRODUCED OR USED WITHOUT EXPRESS WRITTEN CONSENT FROM QSC AUDIO PRODUCTS.

| REVISIONS |     |                                      |         |          |
|-----------|-----|--------------------------------------|---------|----------|
| ZONE      | REV | DESCRIPTION                          | DATE    | APPROVED |
|           | A   | PROTO RELEASE, PHQ                   | 8-29-91 | SGM      |
|           | B   | PRODUCTION RELEASE PER ECO 1317, SGM | 12-5-91 | SGM      |
|           | C   | REVISED PER ECO 1455, SGM            | 4-7-92  | SGM      |
|           | D   | REVISED PER ECO 1579 LG              | 9-23-92 | SGM      |
|           | E   | REVISED PER ECO 1735 WR              | 2-15-93 |          |



**POWER TRANSFORMER XF-001010-00**



NOTES: UNLESS OTHERWISE SPECIFIED

| UNLESS OTHERWISE SPECIFIED DIMENSIONS ARE IN INCHES. DIMENSIONS PER ANSI Y14.5-1982. TOLERANCES ARE: |            | CONTRACT NO. |             | QSC AUDIO PRODUCTS, INC. COSTA MESA, CALIFORNIA |              |
|--|------------|--------------|-------------|---|--------------|
| DECIMALS   | xx ± .02   | APPROVALS    | PHQ         | DATE  | 8/29/91      |
| ANGLES   | xxx ± .010 | DRAWN        | S.A.        | 12/16/91X                                       |              |
| DEBURR EDGES   | XXX R MAX  | CHECKED      | S.G.MORALES | 12/16/91  |              |
| MATERIAL   |            | ISSUED       | S.G.MORALES | 12/16/91  |              |
| FINISH   |            | SCALE        | D           | FROM NO.  | DWG NO.      |
| APPLICATION  | MX 1000a   | SCALE        | NONE        | CAD FILE NO.                                    | SH1011E1.FCD |
|  |            |              |             |   | SH-001011-00 |
|  |            |              |             |   | 1 OF 1       |

SH-001011-00 1 REV E