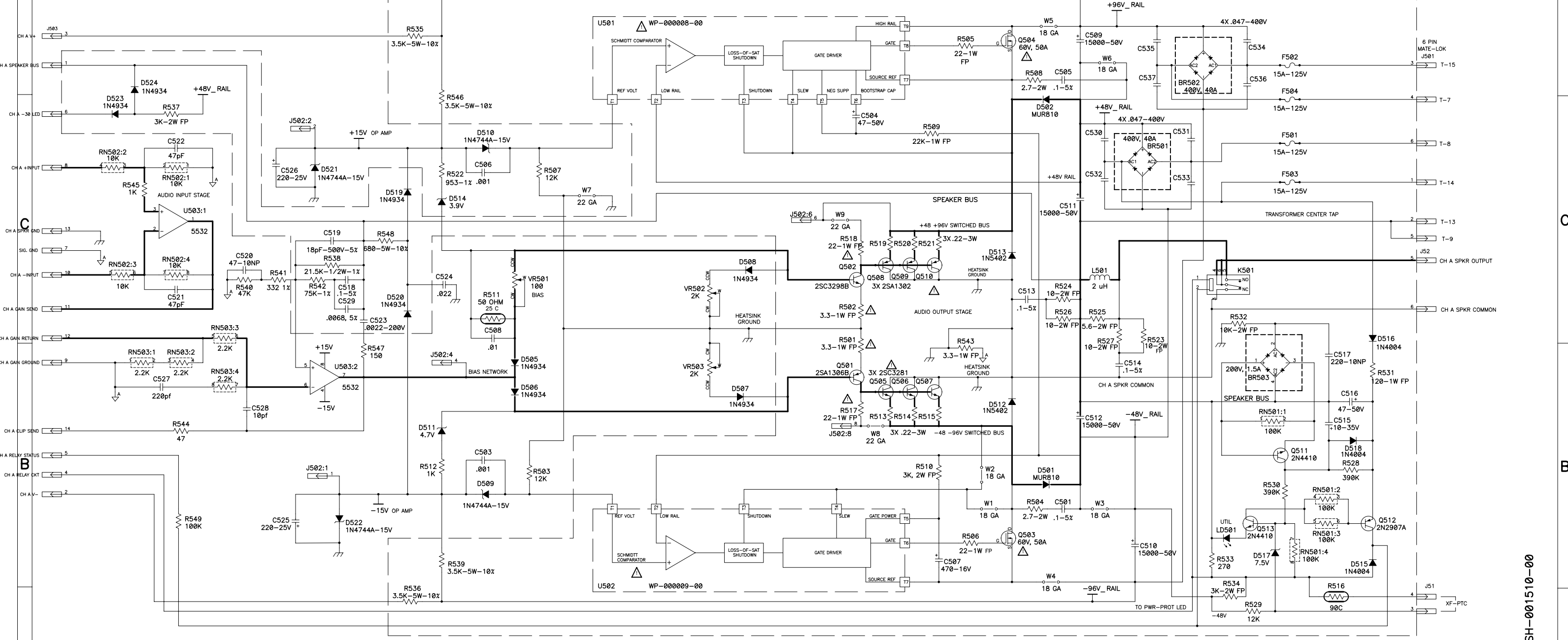


THIS DOCUMENT CONTAINS PROPRIETARY INFORMATION WHICH IS THE PROPERTY OF QSC AUDIO PRODUCTS, THAT MAY NOT BE DISCLOSED, REPRODUCED OR USED WITHOUT EXPRESS WRITTEN CONSENT FROM QSC AUDIO PRODUCTS.

REVISIONS [RefDes] [Type]				
ZONE	REV	DESCRIPTION	DATE	APPROVED
	J	REVISED PER ECO 2720 (EFF. 9-1-95)	5-20-95	SA
	K	REVISED PER ECO 3368 (EFF. 2-28-97)	2-20-97	TS
	L	REVISED PER ECO 3471A (EFF. 9-26-97)	2-20-97	TS
	M	REVISED PER ECO 4744 (EFF.3-1-02)		DD

**SCHEMATIC, CH A POWER AMPLIFIER, MX 1500A**



- 10. CH B IS LAID OUT ON RIGHT SIDE OF PC-001510-00 CIRCUIT SAME AS CHANNEL A ABOVE. SEE PART NUMBERING SCHEDULE.
- 9. DIODES D525, 625 ARE USED ON MPX 300 MAIN AMP PCB ASSY. QSC P/N WP-000113-00, AND APPEAR ON PC-001510-00.
- 8. PARTS ENCLOSED WITHIN DOTTED OUTLINE ----- HAVE VOLTAGES GREATER THAN 42V.
- 7. PARTS MARKED WITH TRIANGLE ▲ MUST BE REPLACED WITH EXACT TYPE ONLY.
- 6. BRIDGE RECTIFIER BR 503, 603, 1.5A, 200V, QSC P/N QD-1.5200-BX.
- 5. ZENERS D517, 617, MARKED 7.5V, LOW LEAKAGE, QSC P/N QD-0007.5-ZT
- 4. Q 503, 504 603, 604 ARE SWITCHING FETS, QSC P/N QD-000031-QD, 125W, 60V MINIMUM, ON-RESISTANCE 0.030 OHMS MAX.
- 3. R516, 616 IS POSITIVE TEMPERATURE COEFFICIENT RESISTOR, MTD TO HEAT SINK. RESISTANCE 100 OHM COLD, RISING AT 85 C. QSC P/N RE-000009-VP
- 2. ALL CAPACITORS 100V UNLESS OTHERWISE NOTED. TOLERANCE 20% FOR ELECTROLYTIC TYPES, 10% ON OTHER TYPES.
- 1. ALL RESISTORS 1/4-WATT, 5% UNLESS NOTED.

PART NUMBERING SCHEDULE FOR PCBs USED IN MX-1500-A

PCB NUMBER	DESCRIPTION	CH A PARTS	CH B PARTS	PARTS IN COMMON
PC-001511-00	DISPLAY PCB	101-199	201-299	10-29
PC-001512-00	INPUT PCB	301-399	401-499	31-49
PC-001510-00	AMP PCB	501-599	601-699	51-69
PC-004103-00	AC PCB	901-UP (CH A, CH B ON SAME PCB)		

SCHEDULE OF TEST POINTS [J502-1] ETC

CH A	CH B	DESCRIPTION
J602-1	J602-1	NEGATIVE LIMITING VOLTAGE
J502-2	J602-2	POSITIVE LIMITING VOLTAGE
J602-3	J602-3	NOT USED
J502-3	J602-4	AMPLIFIER LOOP OPAMP OUTPUT
J502-4	J602-4	SWITCHED POS AMPLIFIER RAIL-- CAUTION, HIGH VOLTAGE
J502-6	J602-6	SWITCHED NEG AMPLIFIER RAIL-- CAUTION, HIGH VOLTAGE
J502-8	J602-8	

REFERENCE DESIGNATION

DESCRIPTION	CH A	CH B
BRIDGE RECTIFIER	BR503	BR603
CAPACITOR	C537	C637
DIODE	D525	D625
CONNECTOR	J503	J603
INDUCTOR	L501	L601
LED	LD501	LD601
TRANSISTOR	Q513	Q613
RESISTOR	R549	R649
RES NETWORK	RN503	RN603
IC	U503	U603
POTENTIOMETER	VR503	VR603
RELAY	K501	K601
FUSE	F504	F604

UNLESS OTHERWISE SPECIFIED DIMENSIONS ARE IN INCHES. DIMENSIONS PER ANSI Y14.5-1982 TOLERANCES ARE:

DECIMALS	DECIMALS	ANGLES
.XX ± .02	.XXX ± .010	1/2°

DEBURR EDGES .XXX R MAX MATERIAL

CONTRACT NO. APPROVALS DATE

DRAWN PHD 10-24-91

CHECKED SGM 3-23-92

ISSUED SP Morales 3-27-92

SCALE CAD FILE NO. SHEET

QSC AUDIO PRODUCTS, INC. COSTA MESA, CALIFORNIA

**SCHEMATIC DIAGRAM**

**MX 1500a Main Amplifier PCB**

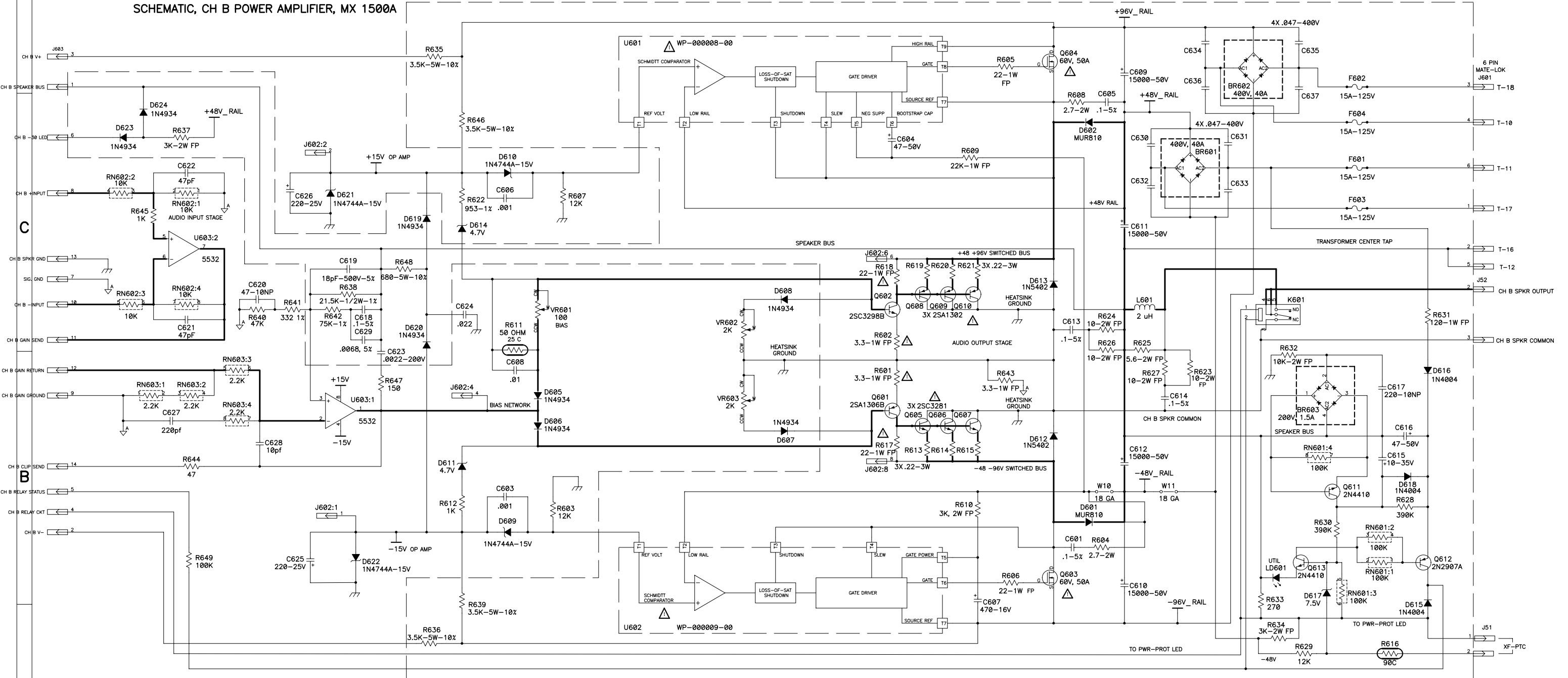
SH-001510-00 1M

sh1510m1.sch 1 OF 2

M 1 SH-001510-00

THIS DOCUMENT CONTAINS PROPRIETARY INFORMATION WHICH IS THE PROPERTY OF QSC AUDIO PRODUCTS, THAT MAY NOT BE DISCLOSED, REPRODUCED OR USED WITHOUT EXPRESS WRITTEN CONSENT FROM QSC AUDIO PRODUCTS.

SCHEMATIC, CH B POWER AMPLIFIER, MX 1500A



M 2 SH-001510-00