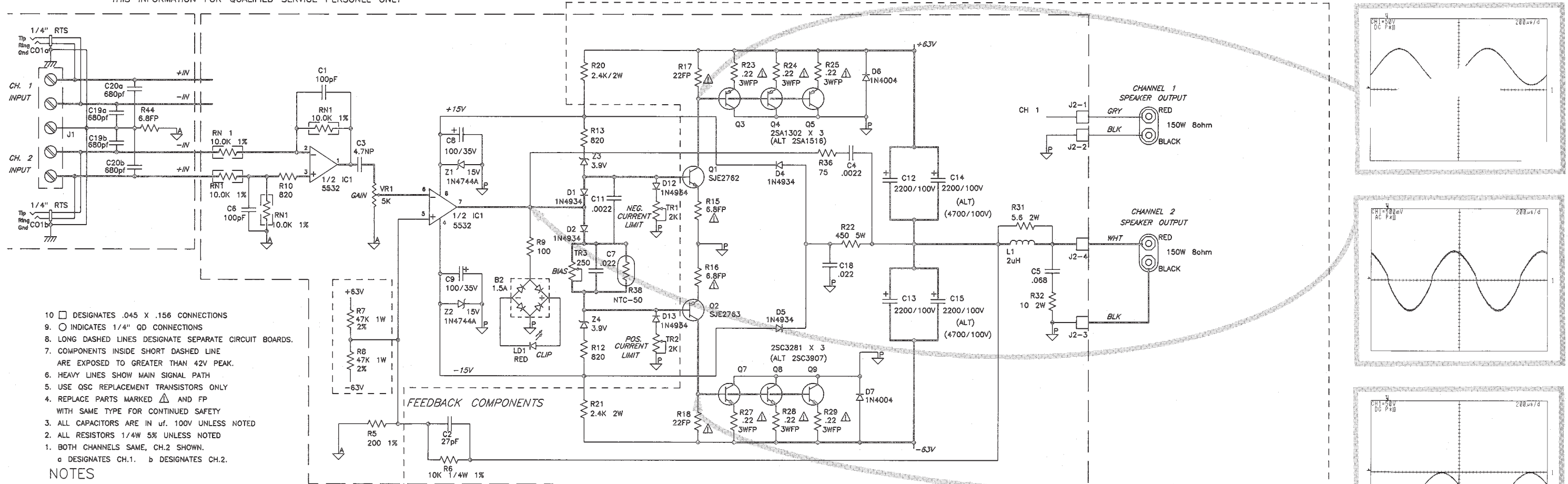


MX700 Schematic

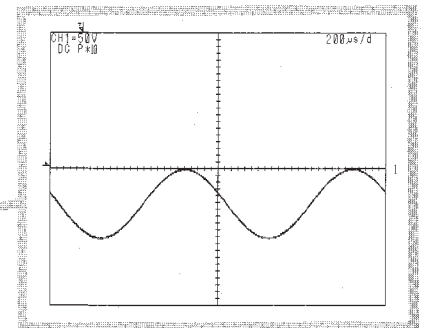
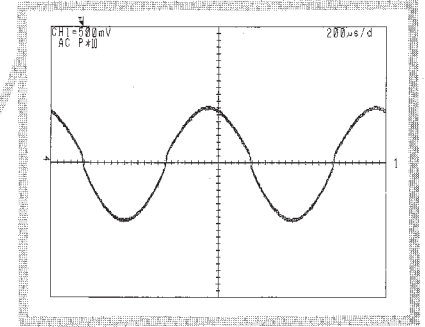
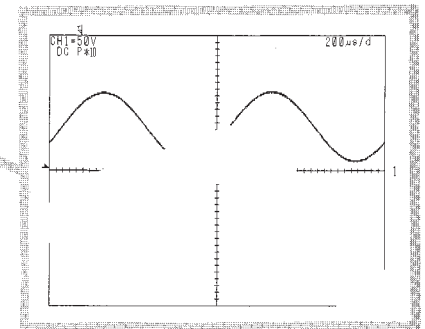
QSC POWER AMPLIFIER MODEL MX700

SH-000630-CX, REV E PCB, 02-19-90
THIS INFORMATION FOR QUALIFIED SERVICE PERSONEL ONLY



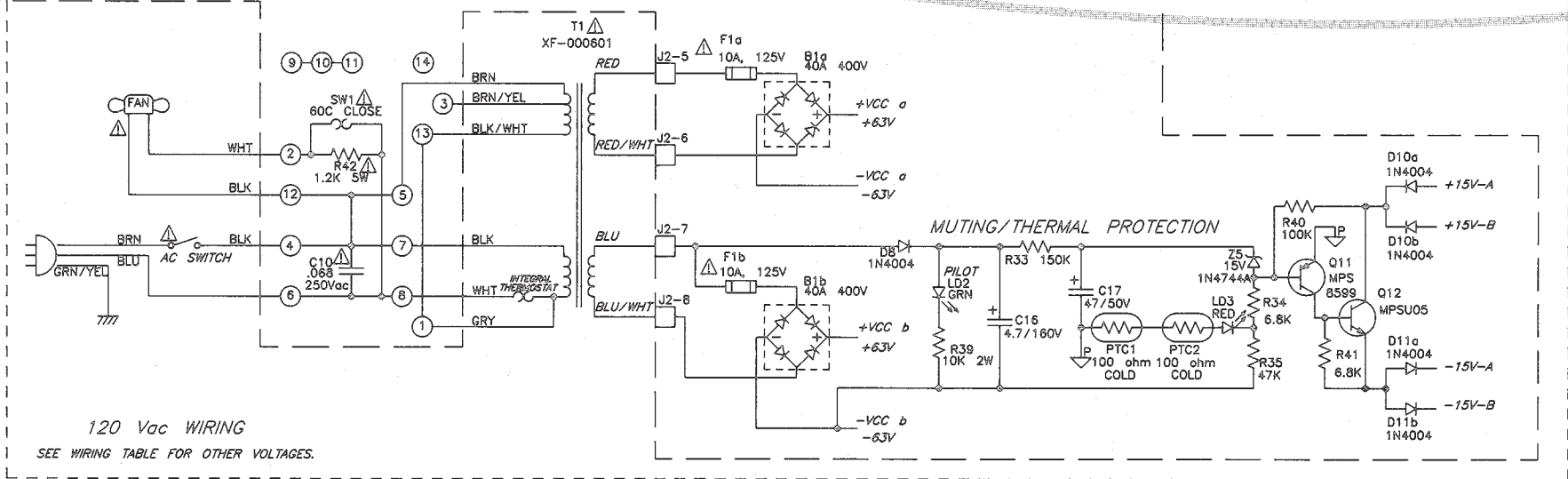
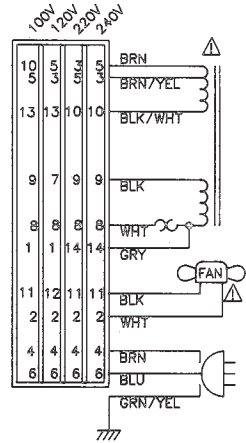
- 10 □ DESIGNATES .045 X .156 CONNECTIONS
- 9. ○ INDICATES 1/4" QD CONNECTIONS
- 8. LONG DASHED LINES DESIGNATE SEPARATE CIRCUIT BOARDS.
- 7. COMPONENTS INSIDE SHORT DASHED LINE ARE EXPOSED TO GREATER THAN 42V PEAK.
- 6. HEAVY LINES SHOW MAIN SIGNAL PATH
- 5. USE QSC REPLACEMENT TRANSISTORS ONLY
- 4. REPLACE PARTS MARKED Δ AND FP WITH SAME TYPE FOR CONTINUED SAFETY
- 3. ALL CAPACITORS ARE IN μ F. 100V UNLESS NOTED
- 2. ALL RESISTORS 1/4W 5% UNLESS NOTED
- 1. BOTH CHANNELS SAME, CH.2 SHOWN.
- a DESIGNATES CH.1. b DESIGNATES CH.2.

NOTES



LAST USED	NOT USED
B3	B3
C21	C21
D13	D3, 9
F1	
IC2	IC2
LD3	
Q13	Q6,10,13
R43	R1,2,3,4,11 14,19,26,30 37,43
TR3	
Z5	
RN1	
VR1	
PTC 2	
L1	
SW1	

WIRING CHART XF-000601



120 Vac WIRING
SEE WIRING TABLE FOR OTHER VOLTAGES.

