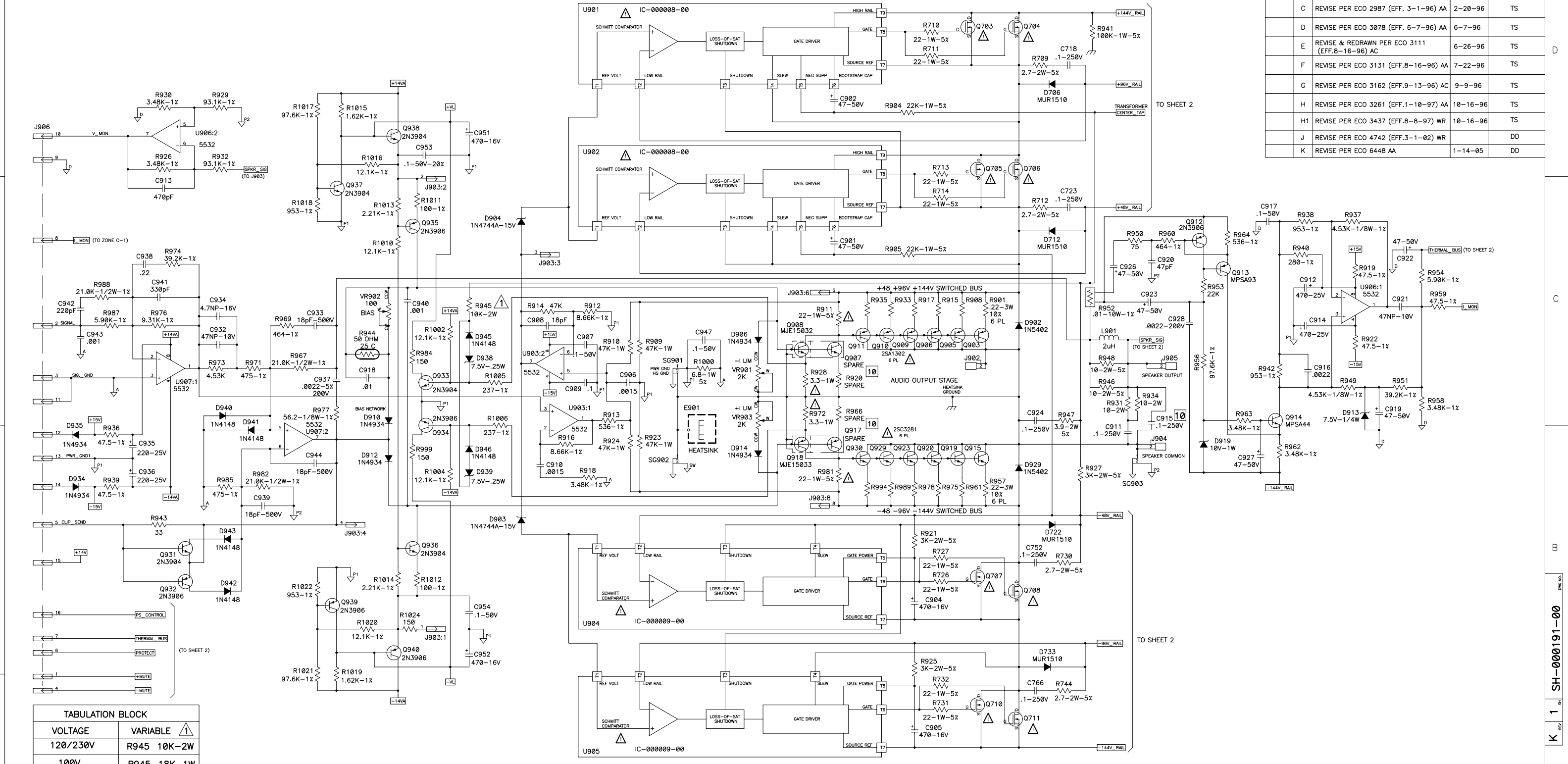


THIS DOCUMENT CONTAINS PROPRIETARY INFORMATION WHICH IS THE PROPERTY OF QSC AUDIO PRODUCTS. THAT MAY NOT BE DISCLOSED, REPRODUCED OR USED WITHOUT EXPRESS WRITTEN CONSENT FROM QSC AUDIO PRODUCTS.

REVISIONS				
ZONE	REV	DESCRIPTION	DATE	APPROVED
	A	PRODUCTION RELEASE PER ECO 2898 (EFF. 12-8-95) AA	12-8-95	TS
	B	REVISE PER ECO 2966 (EFF. 1-26-96) AC	1-17-96	TS
	C	REVISE PER ECO 2987 (EFF. 3-1-96) AA	2-20-96	TS
	D	REVISE PER ECO 3078 (EFF. 6-7-96) AA	6-7-96	TS
	E	REVISE & REDRAWN PER ECO 3111 (EFF. 8-16-96) AC	6-26-96	TS
	F	REVISE PER ECO 3131 (EFF. 8-16-96) AA	7-22-96	TS
	G	REVISE PER ECO 3162 (EFF. 9-13-96) AC	9-9-96	TS
	H	REVISE PER ECO 3261 (EFF. 1-10-97) AA	10-16-96	TS
	H1	REVISE PER ECO 3437 (EFF. 8-8-97) WR	10-16-96	TS
	J	REVISE PER ECO 4742 (EFF. 3-1-02) WR		DD
	K	REVISE PER ECO 6448 AA	1-14-05	DD



TABULATION BLOCK	
VOLTAGE	VARIABLE Δ
120/230V	R945 10K-2W
100V	R945 18K-1W

1. THIS DRAWING USED IN CONJUNCTION WITH PCB ASSEMBLY WP-000191-XX AND WP-000202-00.
2. ALL RESISTORS ARE 1/4-WATT, 5%.
3. ALL CAPACITORS 100V. TOLERANCE 20% FOR ELECTROLYTIC TYPES, 10% ON OTHER TYPES.
4. R715, 970 ARE POSITIVE TEMPERATURE COEFFICIENT RESISTORS MOUNTED TO HEAT SINK. RESISTANCE 100 OHM COLD, RISING AT 55C. QSC P/N RE-000006-VP.
5. Q703-708, 710, 711 ARE SWITCHING FETS, QSC P/N QD-000031-QD, 125W, 60V MINIMUM, ON-RESISTANCE 0.030 OHMS MAX.

6. ZENERS D736, D947 AND D913, MARKED 7.5V, LOW LEAKAGE, QSC P/N QD-0007.5-ZT. ZENER D930, MARKED 6.2V, LOW LEAKAGE, QSC P/N QD-000024-QD.
7. PARTS MARKED WITH TRIANGLE Δ MUST BE REPLACED WITH EXACT TYPE ONLY.
8. PARTS ENCLOSED WITHIN DOTTED OUTLINE HAVE VOLTAGES GREATER THAN 42V.
9. TO-220 DIODES D713, 714 AND 724 ARE SELECTED FOR PEAK REVERSE VOLTAGE GREATER THAN 250V.
10. COMPONENTS Q907, Q917, R920, R966, R1008, AND C915 ARE SPARES AND ARE NOT LISTED IN THE BILL OF MATERIALS.

QTY	ITEM NO.	PART NO.	DESCRIPTION	VENDOR																								
PARTS LIST																												
UNLESS OTHERWISE SPECIFIED DIMENSIONS ARE IN INCHES. DIMENSIONS PER ANSI Y14.5-1982 TOLERANCES ARE:		<table border="1"> <tr> <td colspan="2">CONTRACT NO.</td> <td colspan="2">DATE</td> </tr> <tr> <td colspan="2">APPROVALS</td> <td colspan="2">DATE</td> </tr> <tr> <td>DRAWN</td> <td>P. QUILTER</td> <td>5-28-96</td> <td></td> </tr> <tr> <td>CHECKED</td> <td>W. RULAND</td> <td>6-24-96</td> <td></td> </tr> <tr> <td>ISSUED</td> <td>T. SHOOK</td> <td>6-26-96</td> <td></td> </tr> <tr> <td>CAD SEED FILE NO.</td> <td>SH0191-H.SCH</td> <td>Thu Jan 13, 2005</td> <td></td> </tr> </table>			CONTRACT NO.		DATE		APPROVALS		DATE		DRAWN	P. QUILTER	5-28-96		CHECKED	W. RULAND	6-24-96		ISSUED	T. SHOOK	6-26-96		CAD SEED FILE NO.	SH0191-H.SCH	Thu Jan 13, 2005	
CONTRACT NO.					DATE																							
APPROVALS					DATE																							
DRAWN	P. QUILTER				5-28-96																							
CHECKED	W. RULAND	6-24-96																										
ISSUED	T. SHOOK	6-26-96																										
CAD SEED FILE NO.	SH0191-H.SCH	Thu Jan 13, 2005																										
DECIMALS	DECIMALS	ANGLES	0																									
.XX ±	.XXX ±																											
DEBURR EDGES .XXX R MAX																												
MATERIAL																												
FINISH																												
DO NOT SCALE DRAWING																												

QSC AUDIO PRODUCTS, INC.
COSTA MESA, CALIFORNIA

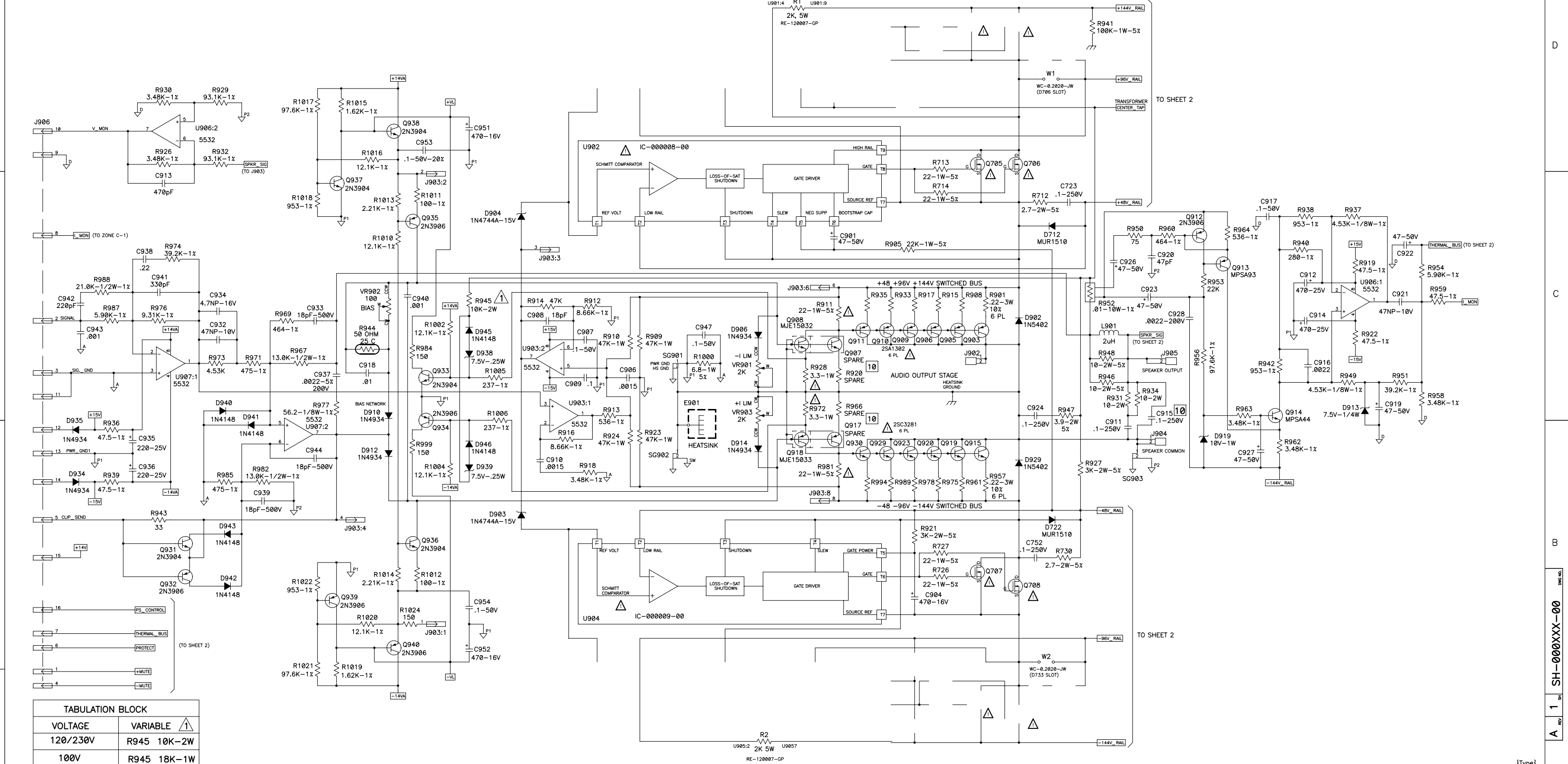
SCHEMATIC DIAGRAM
MAIN PCB, PL 2.4MB/ 4.0

SIZE	FSCM NO.	DWG NO.	REV
D		SH-000191-00	K
SCALE	CAD FILE NO.	SH0191-H.SCH	SHEET 1 OF 2

P:\TANGPROV\PL\4.0\MAIN 1 PLOT DATE: Thu Jan 13, 2005

THIS DOCUMENT CONTAINS PROPRIETARY INFORMATION WHICH IS THE PROPERTY OF QSC AUDIO PRODUCTS. THAT MAY NOT BE DISCLOSED, REPRODUCED OR USED WITHOUT EXPRESS WRITTEN CONSENT FROM QSC AUDIO PRODUCTS.

REVISIONS				
ZONE	REV	DESCRIPTION	DATE	APPROVED
	A	PROD. RELEASE	8-6-02	TN



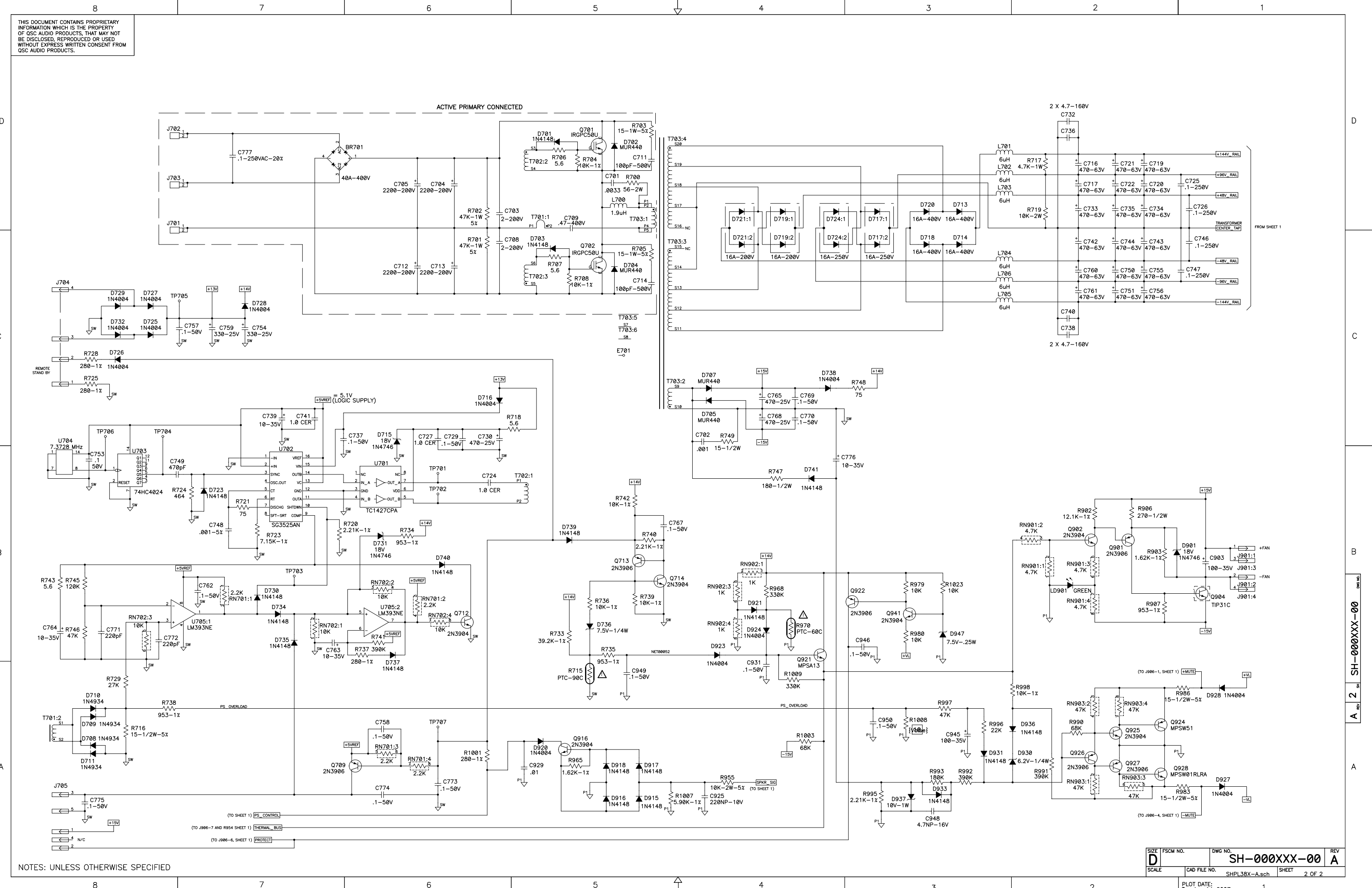
1. THIS DRAWING USED IN CONJUNCTION WITH PCB ASSEMBLY WP-000191-XX AND WP-000202-00.
2. ALL RESISTORS ARE 1/4-WATT, 5%.
3. ALL CAPACITORS 100V. TOLERANCE 20% FOR ELECTROLYTIC TYPES, 10% ON OTHER TYPES.
4. R715, 970 ARE POSITIVE TEMPERATURE COEFFICIENT RESISTORS MOUNTED TO HEAT SINK. RESISTANCE 100 OHM COLD, RISING AT 55C. QSC P/N RE-000006-VP.
5. Q703-708, 710, 711 ARE SWITCHING FETS, QSC P/N QD-000031-QD, 125W, 60V MINIMUM, ON-RESISTANCE 0.030 OHMS MAX.

6. ZENERS D736, D947 AND D913, MARKED 7.5V, LOW LEAKAGE, QSC P/N QD-0007.5-ZT. ZENER D930, MARKED 6.2V, LOW LEAKAGE, QSC P/N QD-000024-QD.
7. PARTS MARKED WITH TRIANGLE Δ MUST BE REPLACED WITH EXACT TYPE ONLY.
8. PARTS ENCLOSED WITHIN DOTTED OUTLINE HAVE VOLTAGES GREATER THAN 42V.
9. TO-220 DIODES D713, 714 AND 724 ARE SELECTED FOR PEAK REVERSE VOLTAGE GREATER THAN 250V.

TABULATION BLOCK	
VOLTAGE	VARIABLE Δ
120/230V	R945 10K-2W
100V	R945 18K-1W

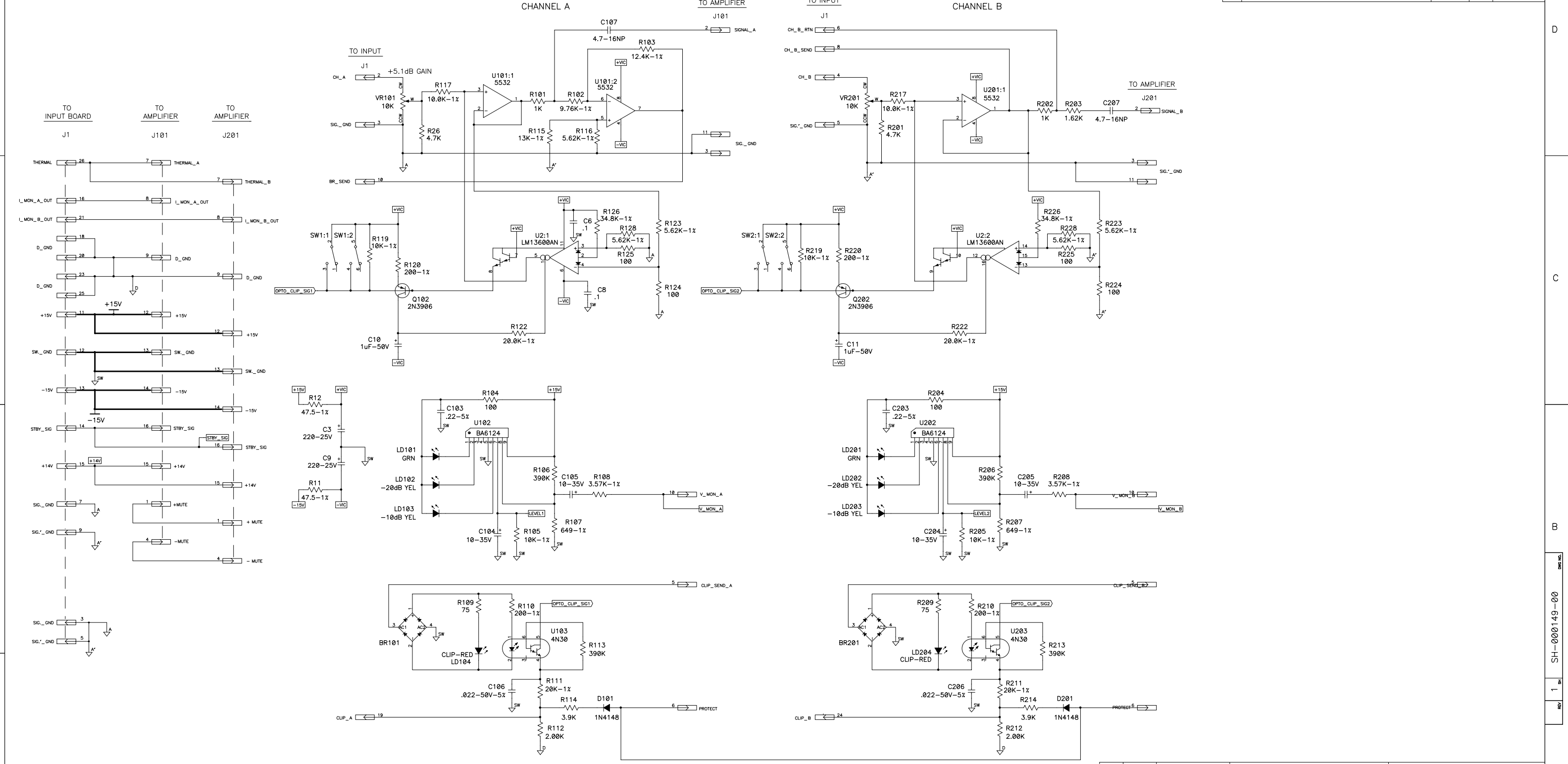
QTY	ITEM NO.	PART NO.	DESCRIPTION	VENDOR		
PARTS LIST						
UNLESS OTHERWISE SPECIFIED DIMENSIONS ARE IN INCHES. DIMENSIONS PER ANSI Y14.5-1982 TOLERANCES ARE:			QSC AUDIO PRODUCTS, INC. COSTA MESA, CALIFORNIA SCHEMATIC DIAGRAM MAIN PCB, PL 3.8x/ CH2			
DECIMALS	DECIMALS	ANGLES			APPROVALS	DATE
.XX ±	.XXX ±	0			DRAWN P. QUILTER	2-2-00
DEBURR EDGES .XXX R MAX					CHECKED W. RULAND	6-24-96
MATERIAL			ISSUED T. SHOOK	6-26-96		
FINISH			CAD SEED FILE NO. SHPL38X-A.SCH	Tue Aug 14, 2007		
NEXT ASSY			USED ON			
APPLICATION			DO NOT SCALE DRAWING			

THIS DOCUMENT CONTAINS PROPRIETARY INFORMATION WHICH IS THE PROPERTY OF QSC AUDIO PRODUCTS, THAT MAY NOT BE DISCLOSED, REPRODUCED OR USED WITHOUT EXPRESS WRITTEN CONSENT FROM QSC AUDIO PRODUCTS.



THIS DOCUMENT CONTAINS PROPRIETARY INFORMATION WHICH IS THE PROPERTY OF QSC AUDIO PRODUCTS. THAT MAY NOT BE DISCLOSED, REPRODUCED OR USED WITHOUT EXPRESS WRITTEN CONSENT FROM QSC AUDIO PRODUCTS.

REVISION				
REV	DESCRIPTION	EFF. DATE	CHK	APPROVED / DATE

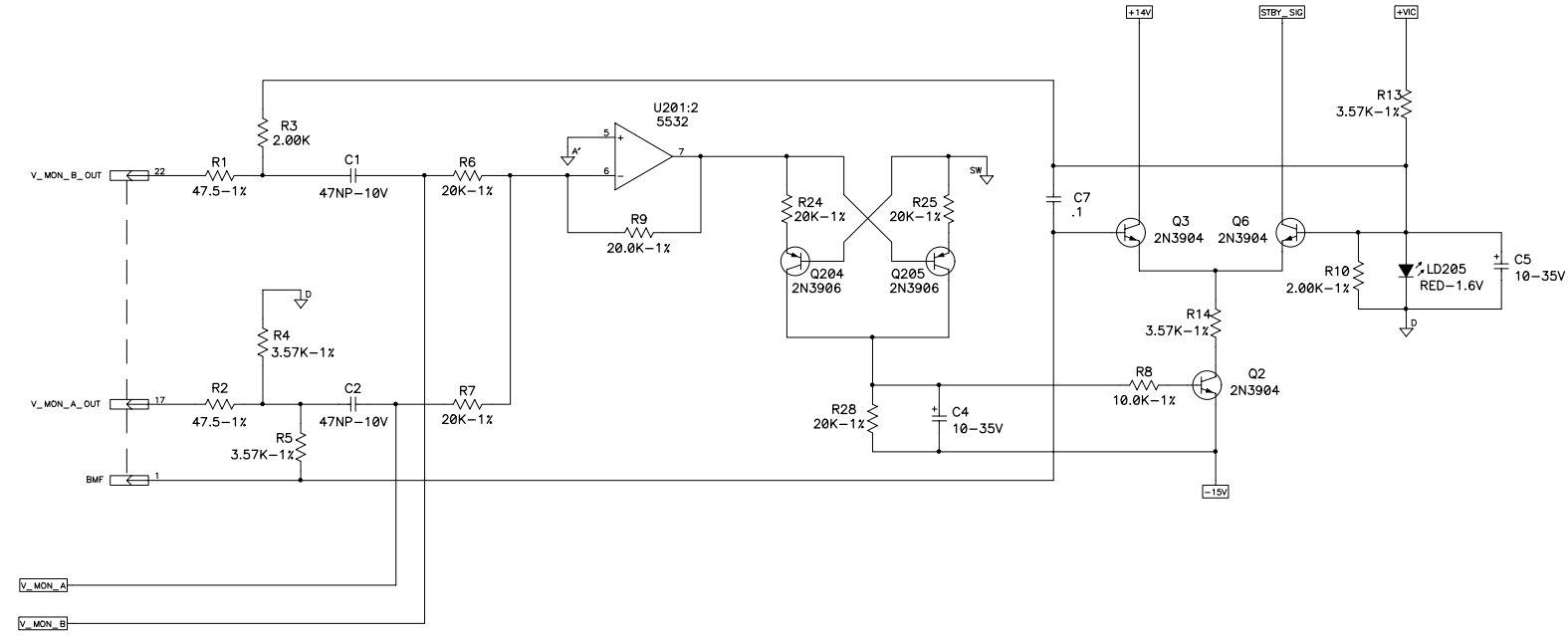
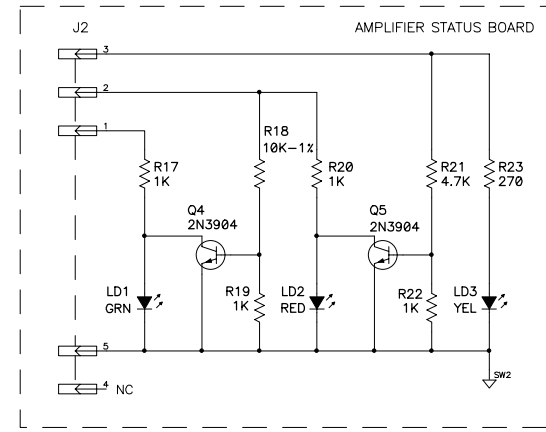


4. PARTS IN COMMON WITH BOTH CHANNELS NUMBERED 1-99.
 - CH 1 COMPONENTS NUMBERED 101-199.
 - CH 2 COMPONENTS NUMBERED 201-299.
 3. CAPACITORS ARE IN MICROFARADS, 25V MIN.
 2. RESISTORS ARE IN OHMS, 1/4W_400, 5%.
 1. THIS DRAWING USED IN CONJUNCTION WITH ASSEMBLY WP-000149-00 AND FABRICATION DRAWING PC-000149-00.
- NOTES: UNLESS OTHERWISE SPECIFIED

QTY	ITEM NO.	PART NO.	DESCRIPTION	VENDOR
PARTS LIST				
UNLESS OTHERWISE SPECIFIED DIMENSIONS ARE IN INCHES. DIMENSIONS PER ANSI Y14.5-1982 TOLERANCES ARE:			QSC AUDIO PRODUCTS, INC. COSTA MESA, CALIFORNIA	
DECIMALS	DECIMALS	ANGLES		
.XX ±	.XXX ±	0	CONTRACT NO. APPROVALS DATE	
DEBURR EDGES .XXX R MAX MATERIAL			DRAWN R. BECKER 3-12-96	
FINISH			CHECKED W. RULAND 8-21-96	
NEXT ASSY USED ON			ISSUED T. SHOOK 8-22-96	
APPLICATION			CAD SEED FILE NO. SH0149-B.SCH Thu May 04 2000	
DO NOT SCALE DRAWING			SCALE NONE CAD FILE NO. sh0149-c.sch SHEET 1 OF 2	

SH-000149-00

THIS DOCUMENT CONTAINS PROPRIETARY INFORMATION WHICH IS THE PROPERTY OF QSC AUDIO PRODUCTS. THAT MAY NOT BE DISCLOSED, REPRODUCED OR USED WITHOUT EXPRESS WRITTEN CONSENT FROM QSC AUDIO PRODUCTS.



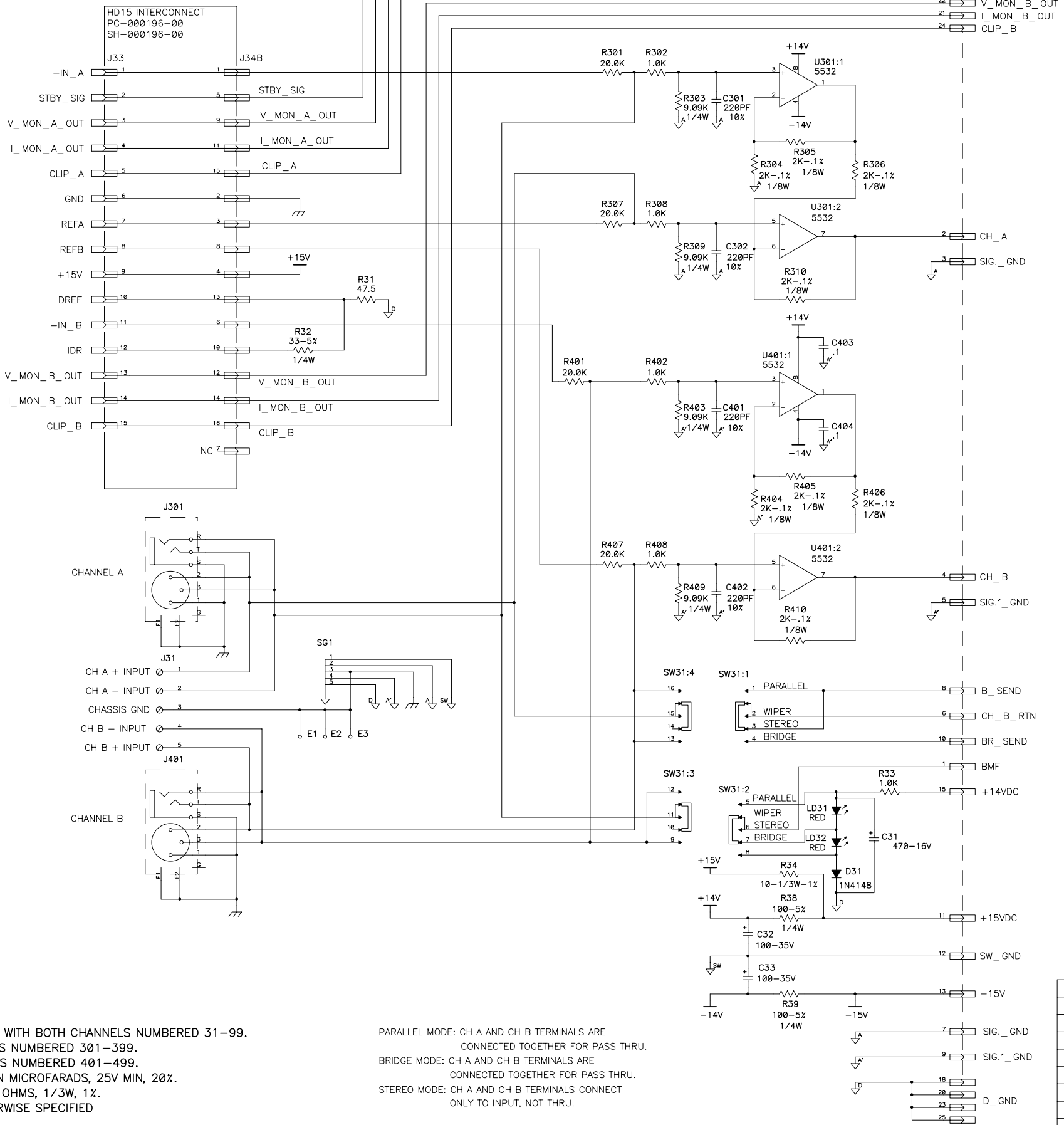
NOTES: UNLESS OTHERWISE SPECIFIED

SIZE D	FSCM NO.	DWG NO. SH-000149-00	REV
SCALE NONE	CAD FILE NO. sh0149-c.sch	SHEET 2	

THIS DOCUMENT CONTAINS PROPRIETARY INFORMATION WHICH IS THE PROPERTY OF QSC AUDIO PRODUCTS, THAT MAY NOT BE DISCLOSED, REPRODUCED OR USED WITHOUT EXPRESS WRITTEN CONSENT FROM QSC AUDIO PRODUCTS.

SCHEMATIC DIAGRAM, INPUT/OUTPUT FOR PC-000193-00, REV 3
DOC NO. SH-000193-00, REV 4

REVISIONS				
ZONE	REV	DESCRIPTION	DATE	APPROVED



- 3. PARTS IN COMMON WITH BOTH CHANNELS NUMBERED 31-99.
 CH A COMPONENTS NUMBERED 301-399.
 CH B COMPONENTS NUMBERED 401-499.
 - 2. CAPACITORS ARE IN MICROFARADS, 25V MIN, 20%.
 - 1. RESISTORS ARE IN OHMS, 1/3W, 1%.
- NOTES: UNLESS OTHERWISE SPECIFIED

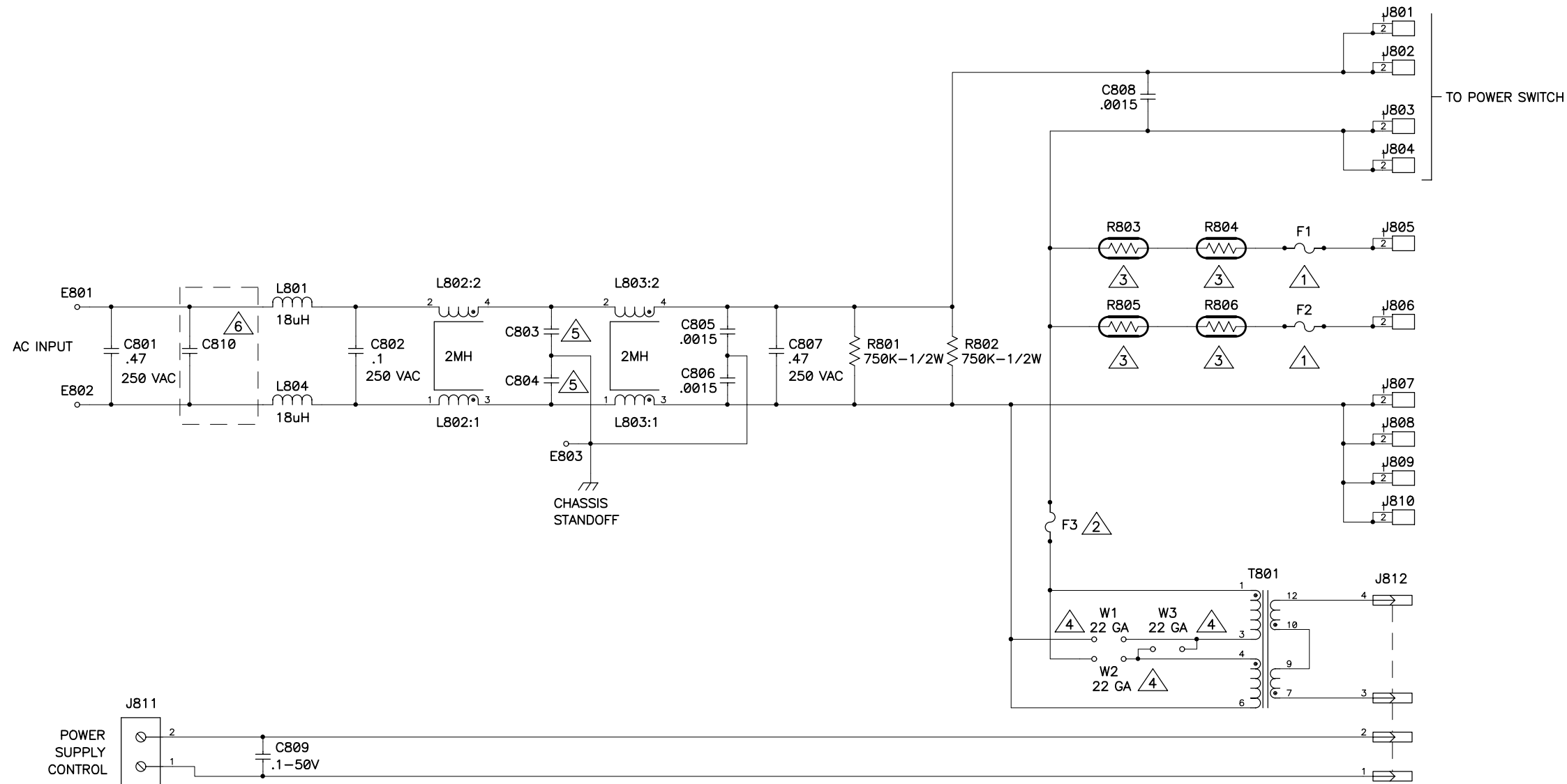
PARALLEL MODE: CH A AND CH B TERMINALS ARE CONNECTED TOGETHER FOR PASS THRU.
 BRIDGE MODE: CH A AND CH B TERMINALS ARE CONNECTED TOGETHER FOR PASS THRU.
 STEREO MODE: CH A AND CH B TERMINALS CONNECT ONLY TO INPUT, NOT THRU.

QTY	ITEM NO.	PART NO.	DESCRIPTION	VENDOR
PARTS LIST				
UNLESS OTHERWISE SPECIFIED DIMENSIONS ARE IN INCHES. DIMENSIONS PER ANSI Y14.5-1982 TOLERANCES ARE:			CONTRACT NO.	
DECIMALS	DECIMALS	ANGLES	APPROVALS	
.XX ±	.XXX ±	0	DATE	
DEBURR EDGES .XXX R MAX			DRAWN	
MATERIAL			B. LILLEMOMEN	
FINISH			7-18-95	
NEXT ASSY			CHECKED	
USED ON			ISSUED	
APPLICATION			SIZE	
DO NOT SCALE DRAWING			D	
POWERLIGHT 4.0			FSCM NO.	
CAD SEED FILE NO. SH0193-5.SCH			DWG NO.	
Thu May 04, 2000			SH-000193-00	
SCALE NONE			SHEET 1 OF 1	
CAD FILE NO. SH0193-b.sch			REV	

DWG NO. SH-000193-00
REV 1 SH

THIS DOCUMENT CONTAINS PROPRIETARY INFORMATION WHICH IS THE PROPERTY OF QSC AUDIO PRODUCTS, THAT MAY NOT BE DISCLOSED, REPRODUCED OR USED WITHOUT EXPRESS WRITTEN CONSENT FROM QSC AUDIO PRODUCTS.

REVISIONS				
ZONE	REV	DESCRIPTION	DATE	APPROVED

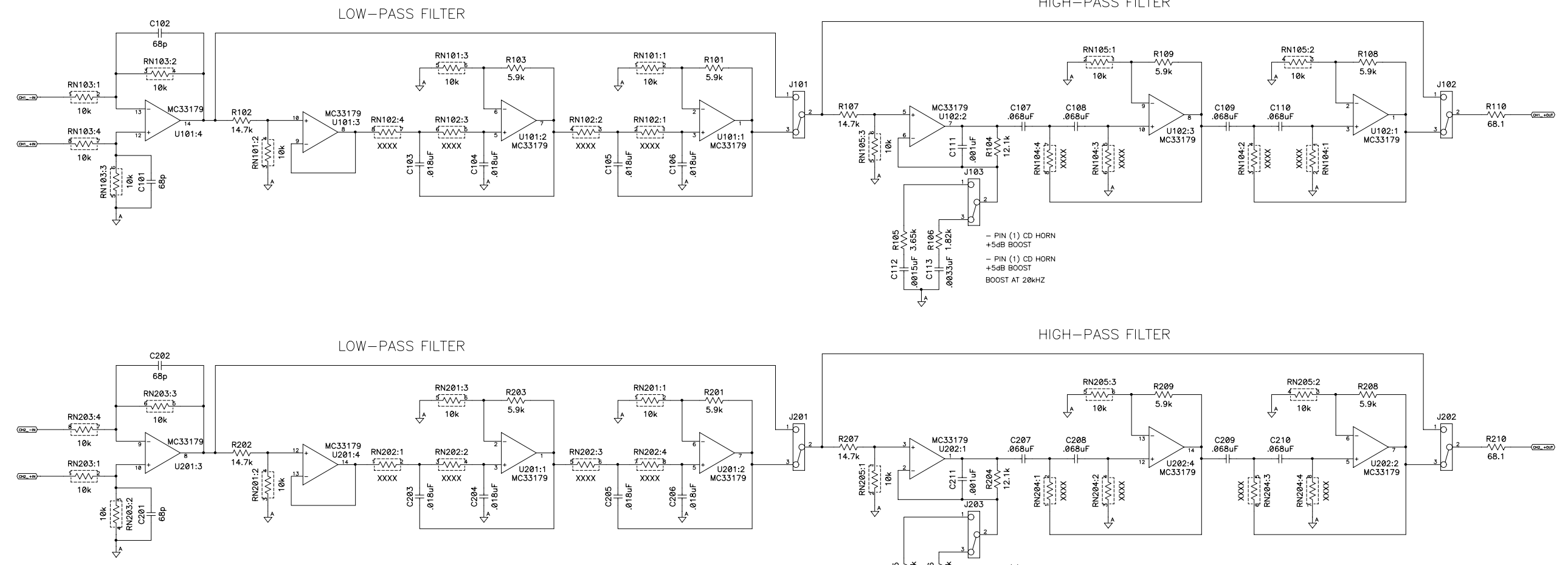
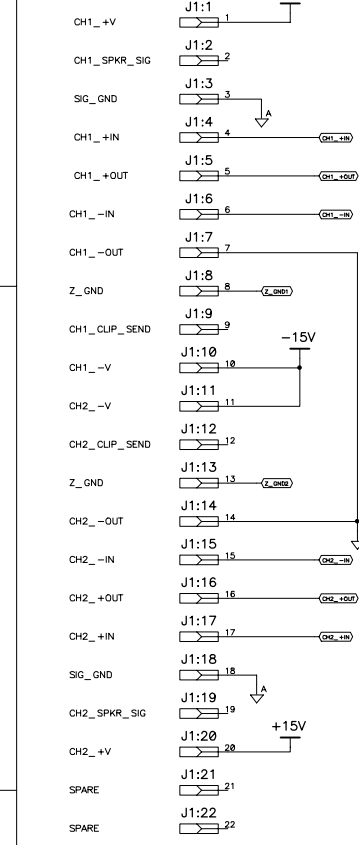


TABULATION BLOCK						
DASH NO.	F1 AND F2	F3	NTC R803-806	JUMPER INSTALLATION	C803 C804	C810
SH-000194-00	25A, 125V	1A, 250V	.5 OHM	W1, W2	.0033	NA
SH-000194-02	15A, 250V	0.5A, 250V	2 OHM	W3	.0015	.47

2. ALL CAPACITOR VALUES ARE IN MICROFARADS, 125/250 VAC, +/-20%.
 1. ALL RESISTOR VALUES ARE IN OHMS, 1/4 WATT, +/-5%.
 NOTES: UNLESS OTHERWISE SPECIFIED

QTY	ITEM NO.	PART NO.	DESCRIPTION	VENDOR
PARTS LIST				
UNLESS OTHERWISE SPECIFIED DIMENSIONS ARE IN INCHES. DIMENSIONS PER ANSI Y14.5-1982 TOLERANCES ARE: DECIMALS DECIMALS ANGLES .XX ± .XXX ± 0 DEBURR EDGES .XXX R MAX MATERIAL			CONTRACT NO.	
FINISH			APPROVALS	DATE
NEXT ASSY USED ON			DRAWN B. LILLEMOEN	8-3-95
APPLICATION			CHECKED NEIL P.	12-6-95
DO NOT SCALE DRAWING			ISSUED TIM SHOOK	12-22-95
			CAD SEED FILE NO. SH0194-A.SCH	PLOT DATE: Thu May 04, 2000
			SIZE C	FSCM NO.
			SCALE NONE	CAD FILE NO. Sh0194-b.sch
			QSC AUDIO PRODUCTS, INC. COSTA MESA, CALIFORNIA	
			SCHEMATIC DIAGRAM, AC FILTER, POWERLIGHT	
			DWG NO. SH-000194-XX	REV
			SHEET 1 OF 1	

THIS DOCUMENT CONTAINS PROPRIETARY INFORMATION WHICH IS THE PROPERTY OF QSC AUDIO PRODUCTS, THAT MAY NOT BE DISCLOSED, REPRODUCED OR USED WITHOUT EXPRESS WRITTEN CONSENT FROM QSC AUDIO PRODUCTS.



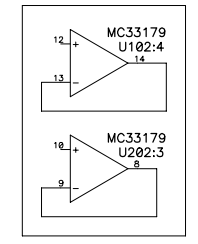
Jumper Settings:	Headers		Pin 1&2	Pin 2&3	Pin None
	CH1	CH2			
Bypass low-pass	J101	J201	X	.	.
Enable low-pass	J101	J201	.	X	.
Bypass high-pass	J102	J202	X	.	.
Enable high-pass	J102	J202	.	X	.
Disable CD horn boost	J103	J203	.	.	X
CD horn, +6dB @ 20Khz	J103	J203	X	.	.
CD horn, +10dB @20kHz	J103	J103	.	X	.

FREQ.	R
80	120k
100	82k
120	68k
160	56k
200	47k
250	33k
500	18k
800	12k
1k	8.2k
1.2k	6.8k
1.6k	5.6k
2k	4.7k
2.5k	3.3k
5k	1.8k
8k	1.2k
16k	360
20k	470

* R REPRESENTS VALUES FOR RN102 AND R202 SIP PACKAGES

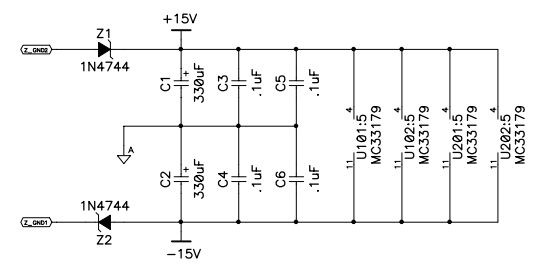
FREQ.	R
20	120k
30	82k
40	56k
50	47k
60	27k
80	22k
100	20k
120	15k
150	12k
200	8.2k
300	5.6k
500	4.7k
800	2.7k
1000	2.2k
1200	2k
1500	1.5k
2000	1.2k
4000	560
5000	470
8000	270

* R REPRESENTS VALUES FOR RN104 AND R204 SIP PACKAGES



- FACTORY SET CONFIGURATION:
INSTALLED RESISTOR NETWORKS ARE RN102:68k (1.2kHz), RN104:120k (20Hz), RN202:4.7k (20kHz) AND RN204:20k (1.2kHz).
- PARTS IN COMMON TO BOTH CHANNELS NUMBERED 1-99
- CH2 COMPONENTS NUMBERED 201-299
- CHANNEL 1 COMPONENTS NUMBERED 101-199
- ALL RESISTOR NETWORKS +/- 2%
- ALL RESISTORS VALUES ARE IN OHMS, +/- 1%, 1/8 WATT.
- THIS DRAWING USED IN CONJUNCTION WITH THE PCB ASSEMBLY PC-000UF3-00

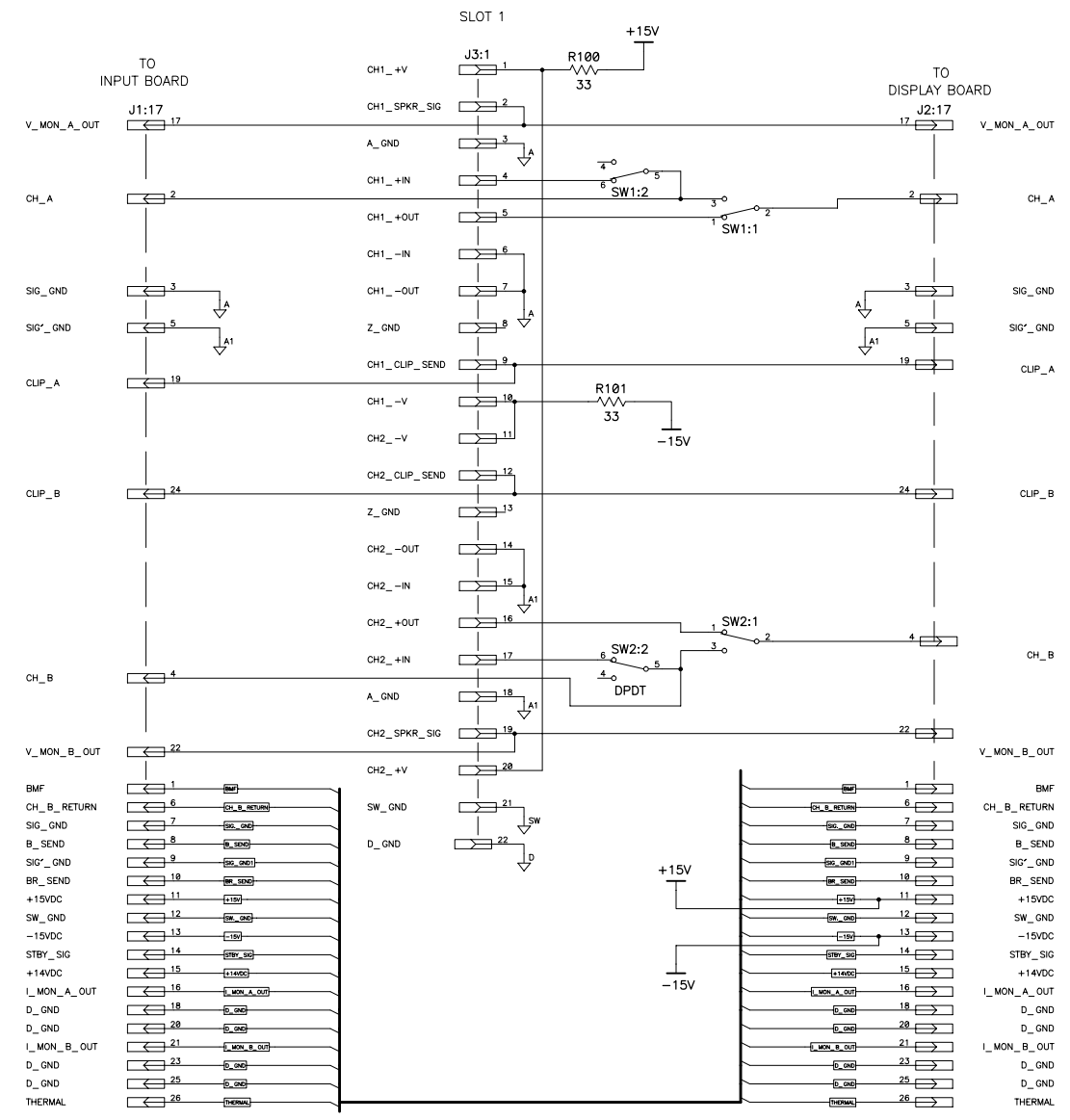
NOTES: UNLESS OTHERWISE SPECIFIED



QTY	ITEM NO.	PART NO.	DESCRIPTION	VENDOR
PARTS LIST				
UNLESS OTHERWISE SPECIFIED DIMENSIONS ARE IN INCHES. DIMENSIONS PER ANSI Y14.5-1982 TOLERANCES ARE:			CONTRACT NO.	
DECIMALS	DECIMALS	ANGLES		
.XX ±	.XXX ±	0		
DEBURR EDGES .XXX R MAX MATERIAL				
FINISH			ISSUED	DATE
NEXT ASSY USED ON			DRAWN QSC Audio 04/10/99	
APPLICATION			CAD FILE NO.	SCALE
DO NOT SCALE DRAWING			Tue Mar 18, 2003	1 of 1

THIS DOCUMENT CONTAINS PROPRIETARY INFORMATION WHICH IS THE PROPERTY OF QSC AUDIO PRODUCTS, THAT MAY NOT BE DISCLOSED, REPRODUCED OR USED WITHOUT EXPRESS WRITTEN CONSENT FROM QSC AUDIO PRODUCTS.

REVISIONS				
ZONE	REV	DESCRIPTION	DATE	APPROVED
	A	PRODUCTION RELEASE	9-17-99	
	B	INCRP ENG DESIGN CHANGES	10-11-99	
	C	RoHS COMPLIANCE	5-10-06	



NOTES: UNLESS OTHERWISE SPECIFIED

QTY	ITEM NO.	PART NO.	DESCRIPTION	VENDOR
PARTS LIST				
UNLESS OTHERWISE SPECIFIED DIMENSIONS ARE IN INCHES. DIMENSIONS PER ANSI Y14.5-1982 TOLERANCES ARE: DECIMALS DECIMALS ANGLES .XX ± .XXX ± 0			CONTRACT NO.	
DEBURR EDGES .XXX R MAX MATERIAL			APPROVALS	DATE
FINISH			JSJ & TNN	09/17/99
NEXT ASSY			CHECKED	TN
USED ON			ISSUED	5/10/06
APPLICATION			CAD SEED FILE NO.	Tue Aug 14, 2007
DO NOT SCALE DRAWING			SCALE	
			FSCM NO.	DWG NO.
			CAD FILE NO. BSC6_RevC.sch	SHEET 1 OF 1

QSC AUDIO PRODUCTS, INC.
COSTA MESA, CALIFORNIA

SCHEMATIC DIAGRAM
BUS CARD 6 FOR PL 3RU

C 1