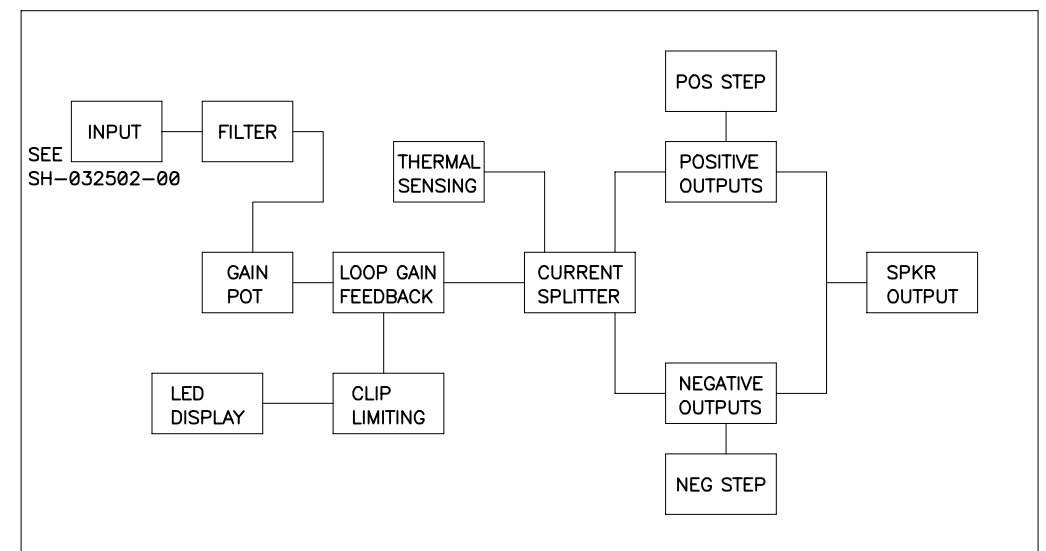
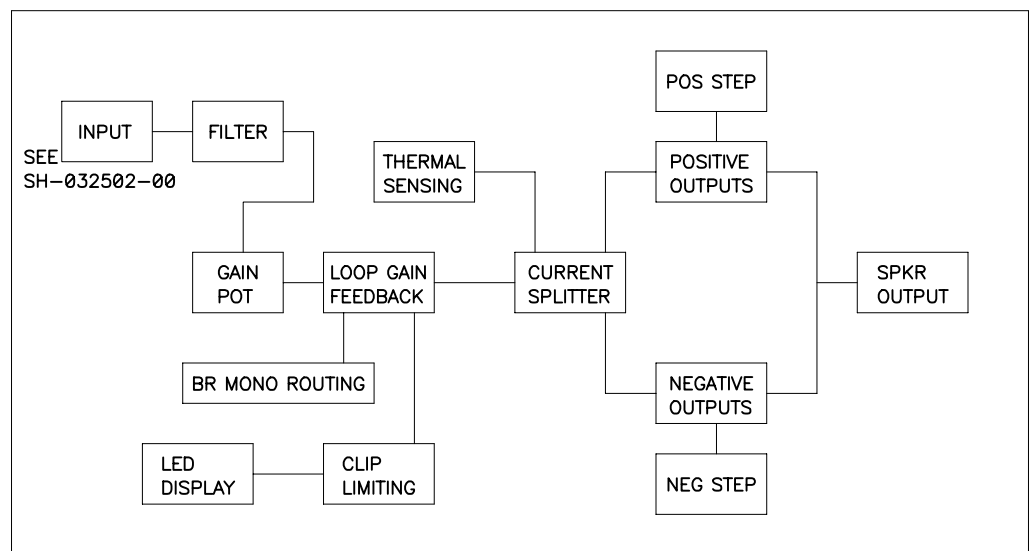


THIS DOCUMENT CONTAINS PROPRIETARY INFORMATION WHICH IS THE PROPERTY OF QSC AUDIO PRODUCTS, THAT MAY NOT BE DISCLOSED, REPRODUCED OR USED WITHOUT EXPRESS WRITTEN CONSENT FROM QSC AUDIO PRODUCTS.

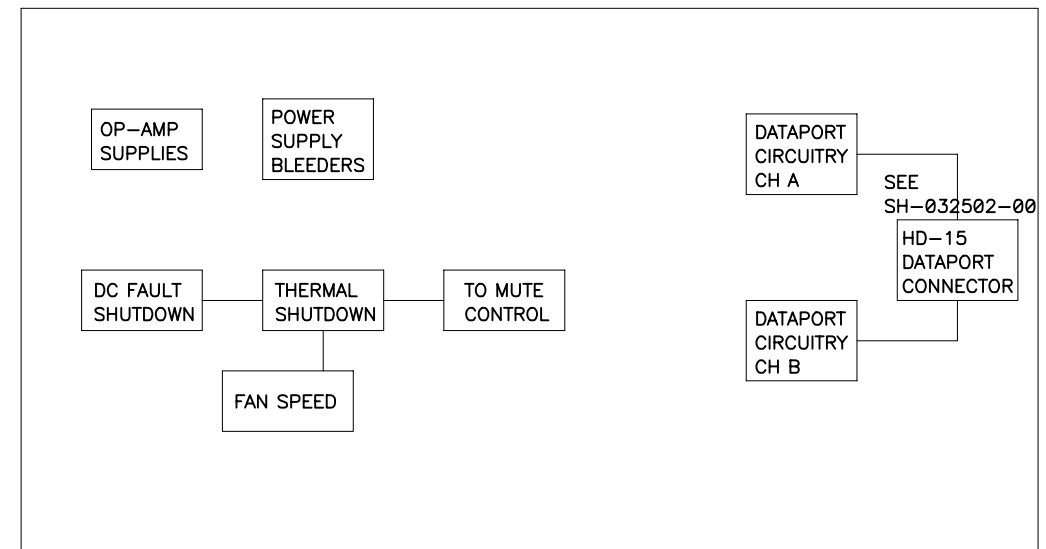
REVISION				
REV	DESCRIPTION	EFF. DATE	CHK	APPROVED / DATE
A	RELEASED PER ECO 7793 IO	02-23-07	RAB	DD



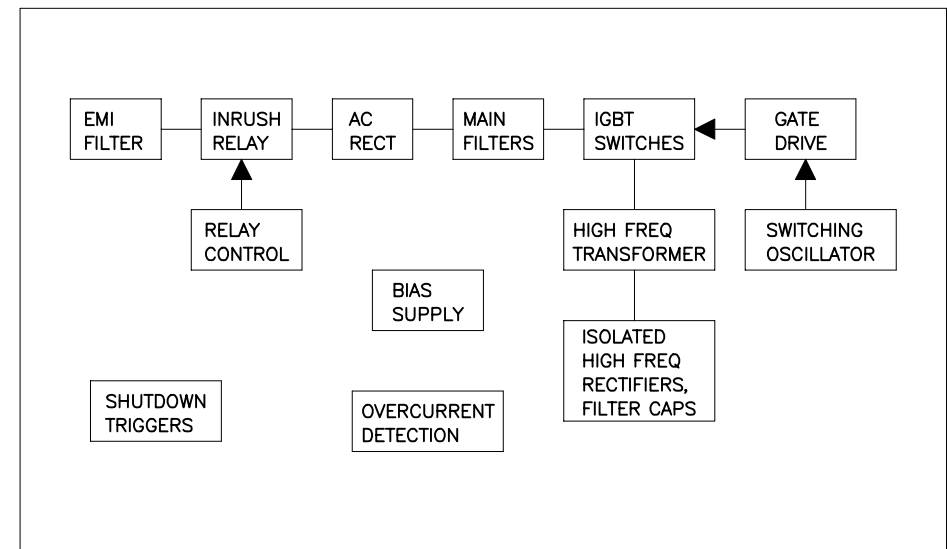
CHANNEL A
AUDIO CIRCUITS
SHEET 2



CHANNEL B
AUDIO CIRCUITS
SHEET 3



SUPPORT,
PROTECTION
AND DATAPORT
CIRCUITS
SHEET 4



SWITCHING
POWER
SUPPLY
SHEET 5

- 8. ZENER TOLERANCE IS 5%
 - 7. SMT CAPACITOR VOLTAGE IS 50V
 - 6. SMT RESISTOR WATTAGE IS 1/10W
 - 5. RESISTOR WATTAGE RATING IS 1/4W
FOR RESISTOR WATTAGE RATINGS GREATER THAN 1W, TOLERANCE IS 5%
FOR RESISTOR WATTAGE RATINGS LESS THAN 1/2W, TOLERANCE IS 1%
 - 4. THROUGH-HOLE FILM AND CERAMIC CAPACITOR TOLERANCE IS 10%, VOLTAGE IS 100V
 - 3. ELECTROLYTIC CAPACITOR TOLERANCE IS 20%
 - 2. COMPONENTS WITH VALUE PREFIXED WITH A "*" REPRESENT SMT COMPONENTS.
 - 1. THIS DRAWING USED IN CONJUNCTION WITH ASSEMBLY WP-032501-XX, SH-032502-00 AND WP-032502-00.
- NOTES: UNLESS OTHERWISE SPECIFIED

TABULATION BLOCK			
DASH NO.	F1	1	R321, 322, 326, 328 2
-00 (120V)	25A, 125V		487K
-01 (100V)	30A, 125V		392K
-02 (230V)	15A, 250V		487K

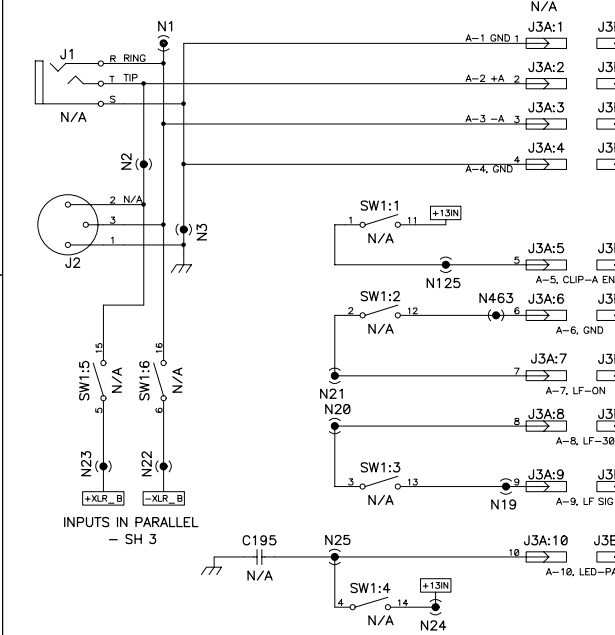
QTY	ITEM NO.	PART NO.	DESCRIPTION	VENDOR
UNLESS OTHERWISE SPECIFIED DIMENSIONS ARE IN INCHES. DIMENSIONS PER ANSI Y14.5-1982 TOLERANCES ARE:				
DECIMALS	DECIMALS	ANGLES		
.XX ±	.XXX ±	0		
DEBURR EDGES .XXX R MAX				
MATERIAL				
FINISH				
NEXT ASSY		USED ON		
APPLICATION		DO NOT SCALE DRAWING		

CONTRACT NO.		APPROVALS		DATE
DRAWN PAT QUILTER		DATE		10-2-06
CHECKED S. FELTS		DATE		02-23-07
ISSUED D. DELARM		DATE		02-23-07
PLOT DATE: Thu Jul 12, 2007		SCALE		NONE

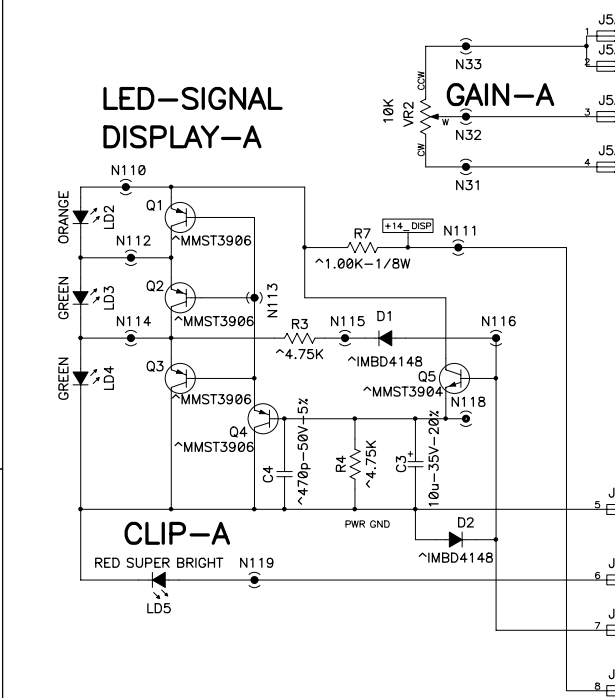
QSC AUDIO PRODUCTS, INC. COSTA MESA, CALIFORNIA	
SCHEMATIC DIAGRAM	
PL325	
SIZE D	FSCM NO.
DWG NO. SH-032501-00	REV A
CAD FILE NO. SH-032501-A.sch	SHEET 1 OF 5

THIS DOCUMENT CONTAINS PROPRIETARY INFORMATION WHICH IS THE PROPERTY OF QSC AUDIO PRODUCTS. THAT MAY NOT BE DISCLOSED, REPRODUCED OR USED WITHOUT EXPRESS WRITTEN CONSENT FROM QSC AUDIO PRODUCTS.

DO NOT STUFF INPUT PARTS PINS 1-10



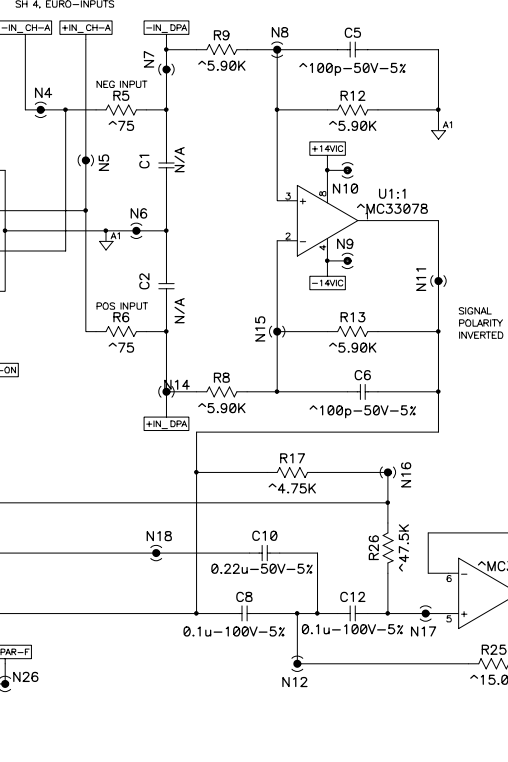
DISPLAY RIBBON PINS 1-10



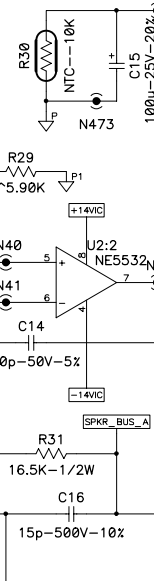
LED-SIGNAL DISPLAY-A



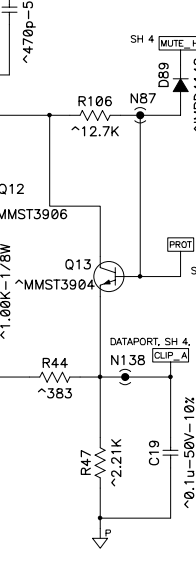
INPUT AND FILTER SECTION, CH A



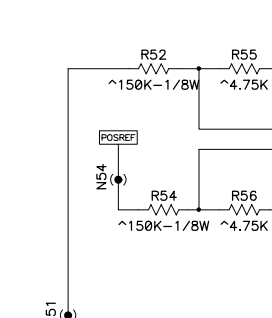
THERMAL AND BIAS SENSING



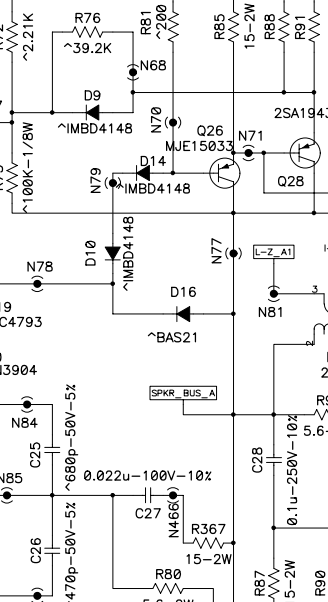
CLIP-LIMIT PROCESSOR



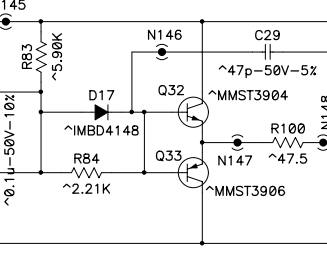
POS STEP DRIVER



POS OUTPUT SECTION



NEG OUTPUT SECTION



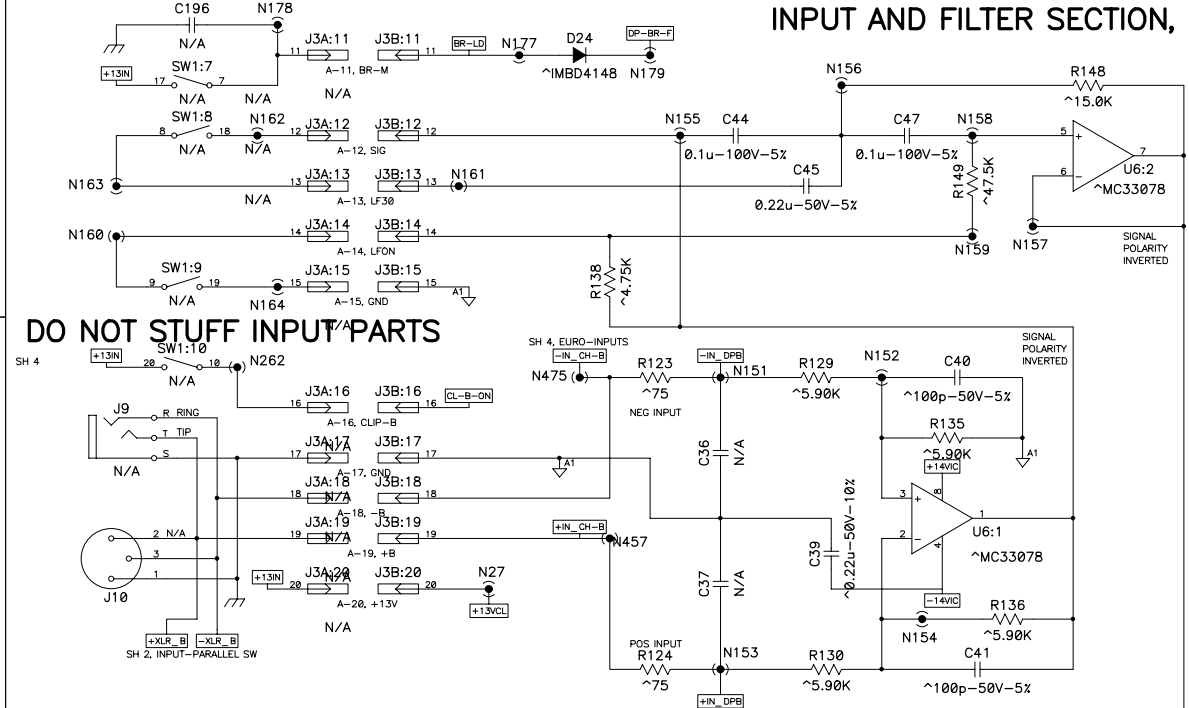
NEG STEP DRIVER



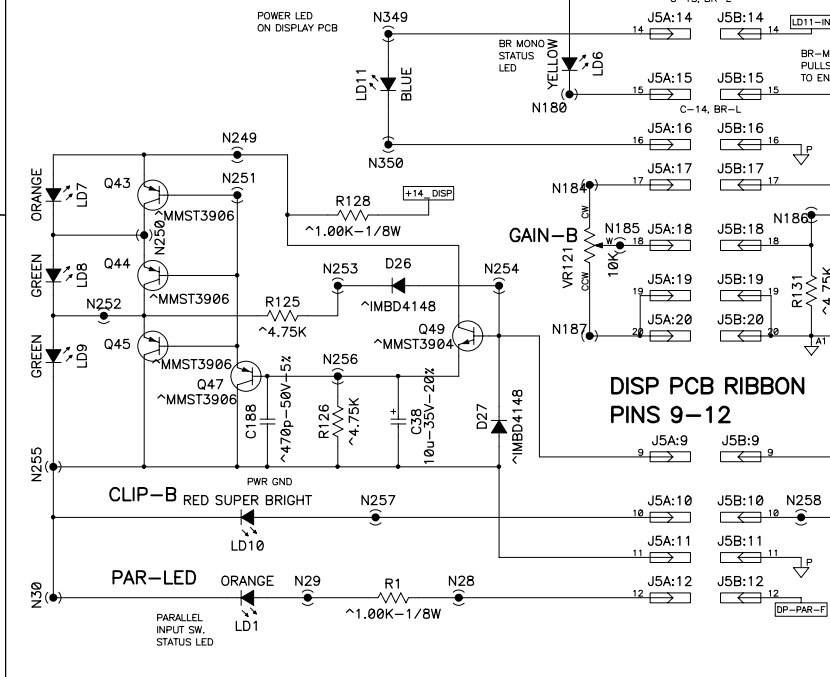
THIS DOCUMENT CONTAINS PROPRIETARY INFORMATION WHICH IS THE PROPERTY OF QSC AUDIO PRODUCTS, THAT MAY NOT BE DISCLOSED, REPRODUCED OR USED WITHOUT EXPRESS WRITTEN CONSENT FROM QSC AUDIO PRODUCTS.

INPUT RIBBON PINS 11-20

INPUT AND FILTER SECTION, CH B



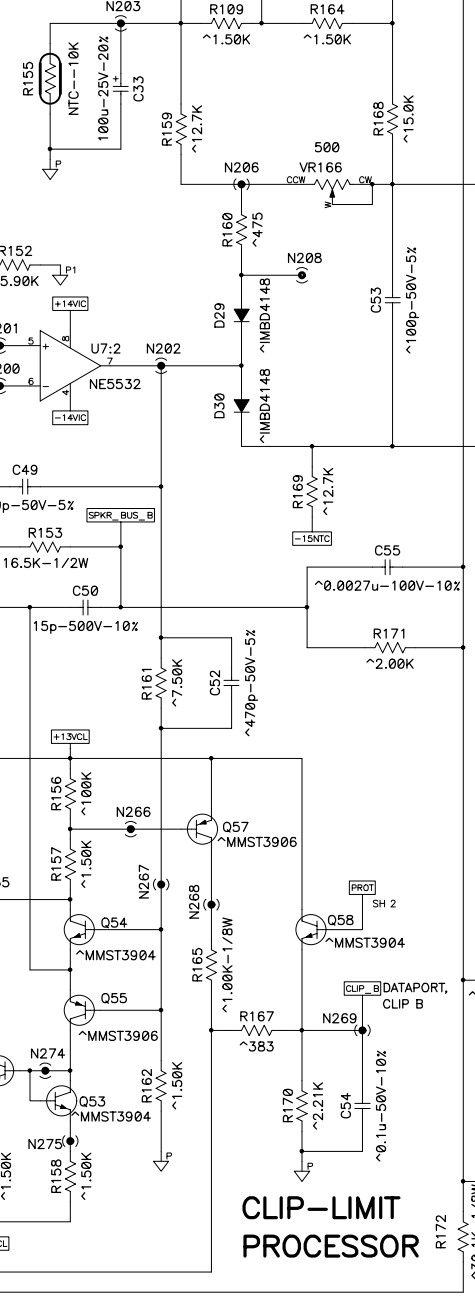
LED-SIGNAL DISPLAY



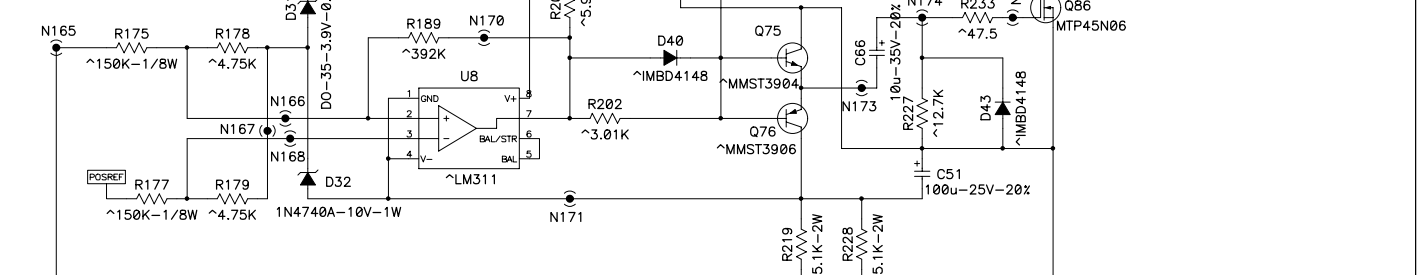
DISP PCB RIBBON PINS 13-20

DISP PCB RIBBON PINS 9-12

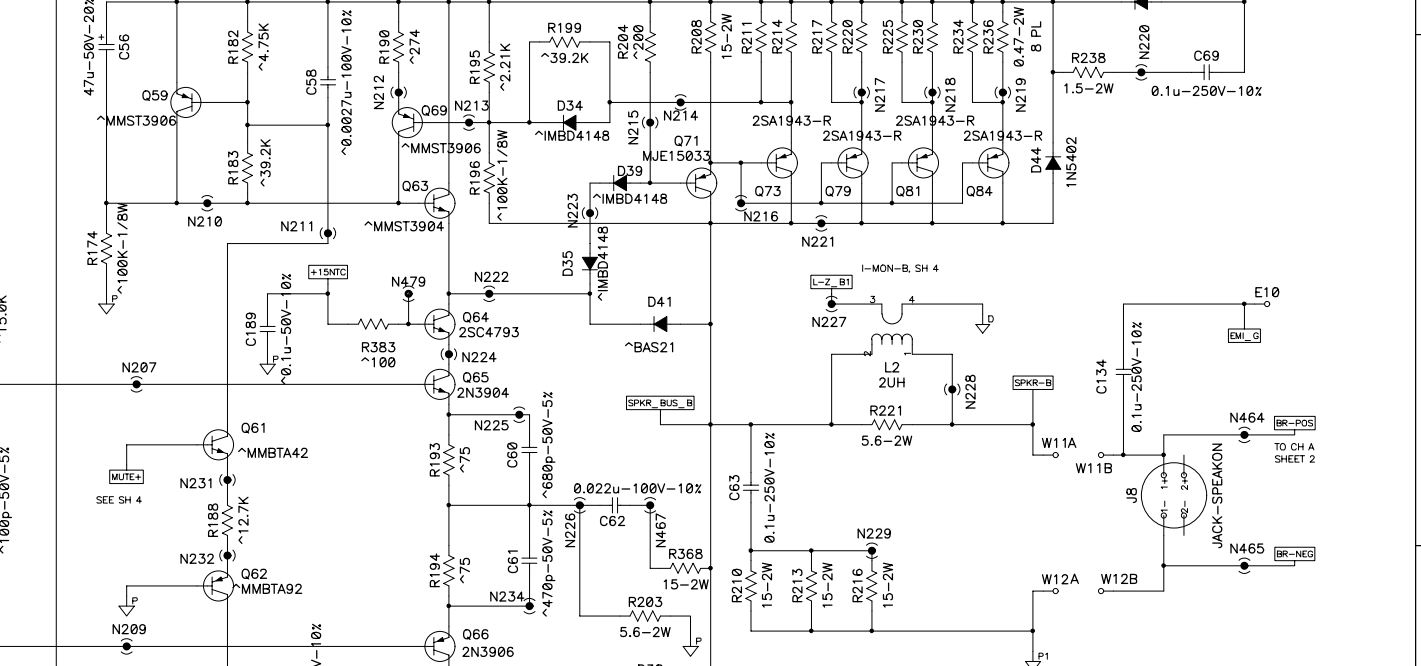
THERMAL AND BIAS SENSING



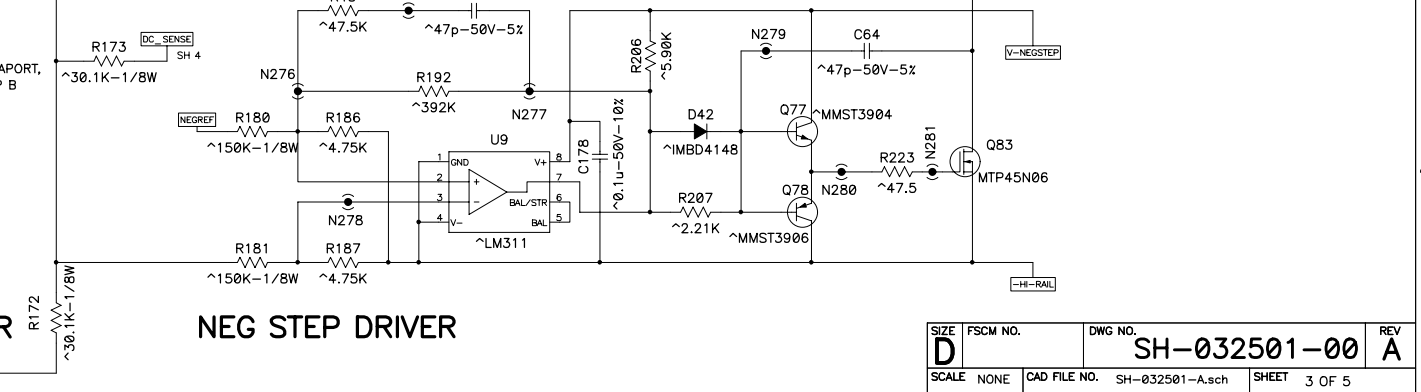
POS STEP DRIVER



POS OUTPUT SECTION



NEG OUTPUT SECTION

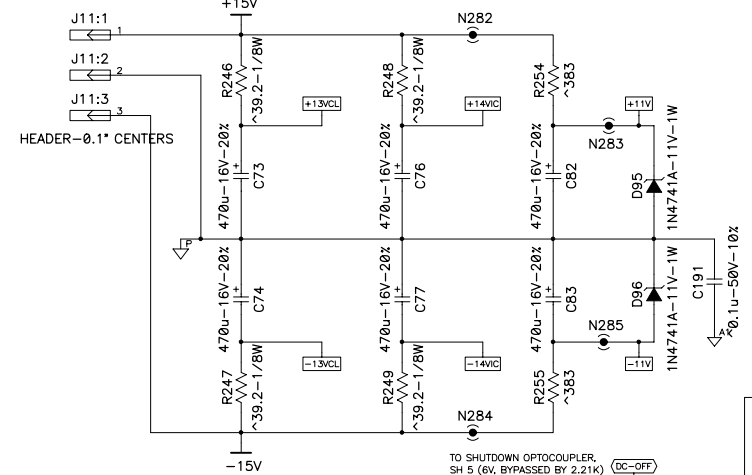


CLIP-LIMIT PROCESSOR

NEG STEP DRIVER

THIS DOCUMENT CONTAINS PROPRIETARY INFORMATION WHICH IS THE PROPERTY OF QSC AUDIO PRODUCTS, THAT MAY NOT BE DISCLOSED, REPRODUCED OR USED WITHOUT EXPRESS WRITTEN CONSENT FROM QSC AUDIO PRODUCTS.

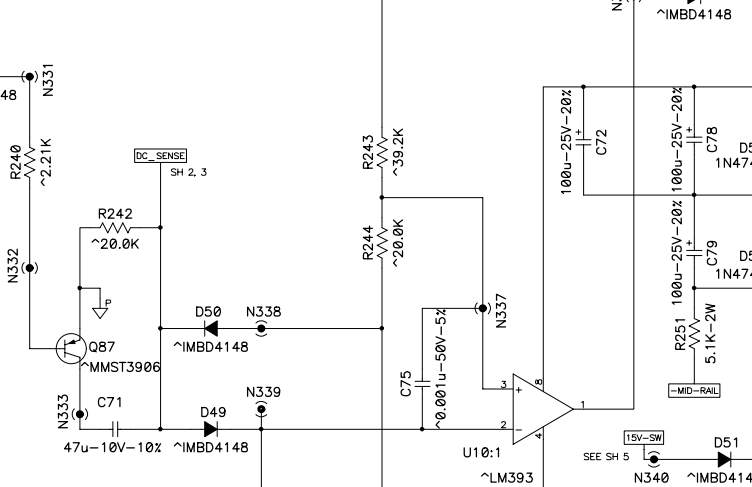
OPAMP POWER SUPPLIES



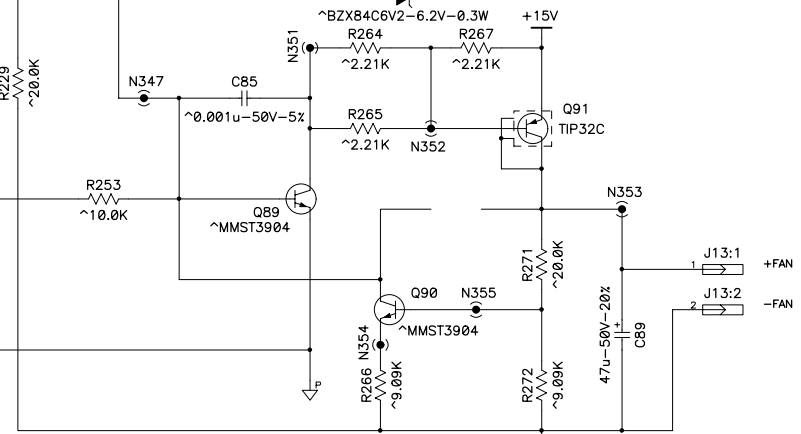
TO SHUTDOWN OPTOCOUPLER, SH 5 (EV, BYPASSED BY 2.21K) 0.5MA AT THRESHOLD 1.5MA FOR SHUTDOWN = 2.5V TO OPTOCOUPLER LED

POWER LED WAS GREEN, 2.1V IS BLUE, 3.5V ON DISPLAY PCB

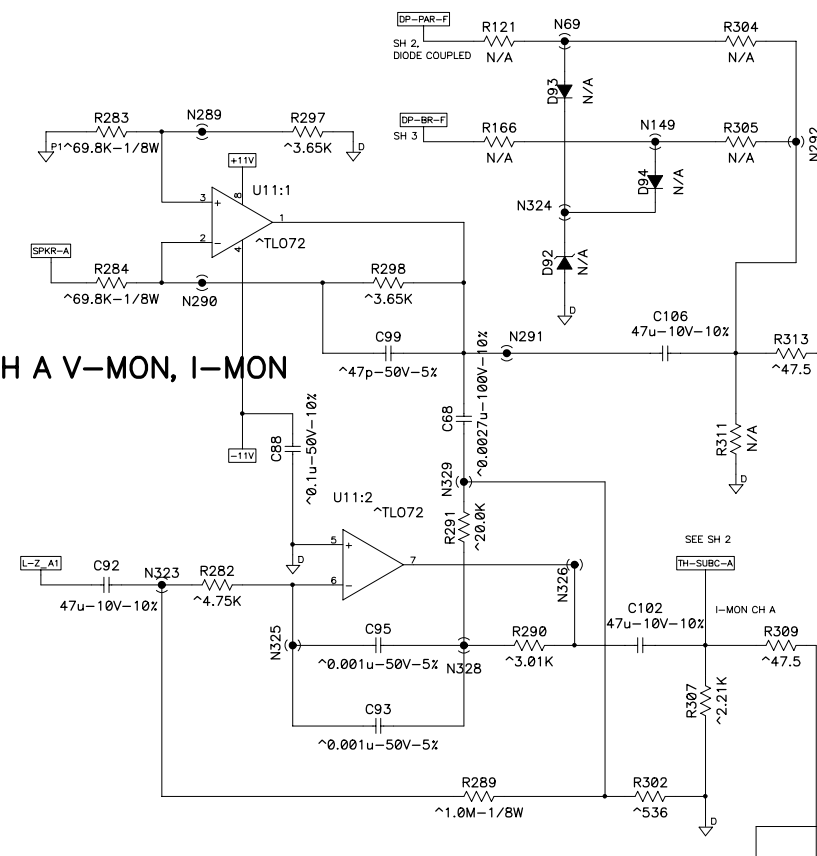
DC MUTING



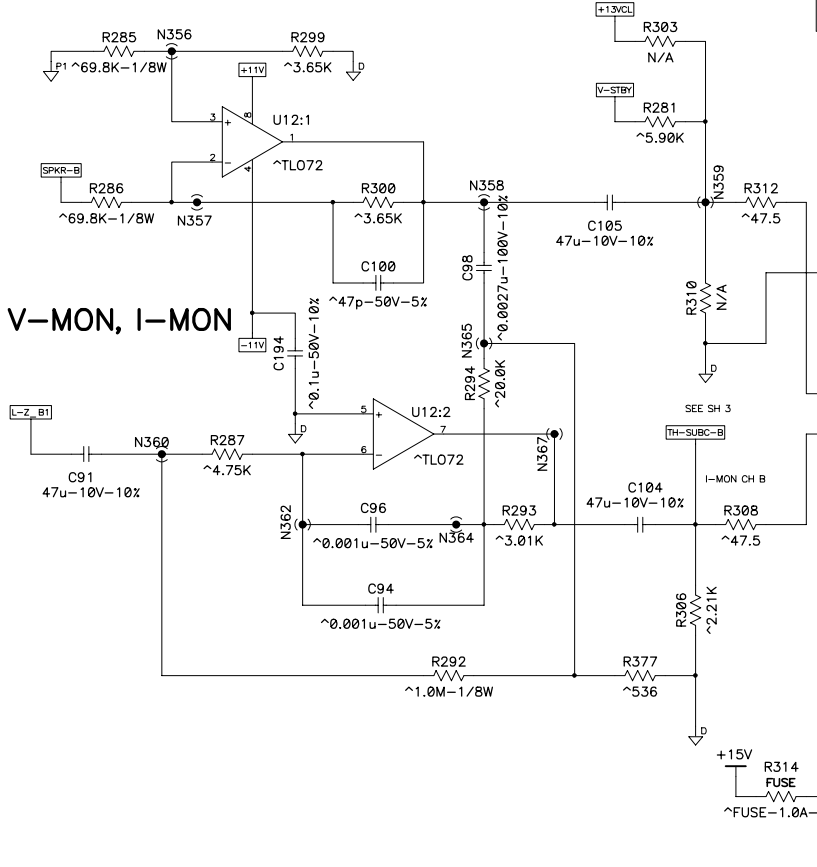
FAN SPEED CONTROL



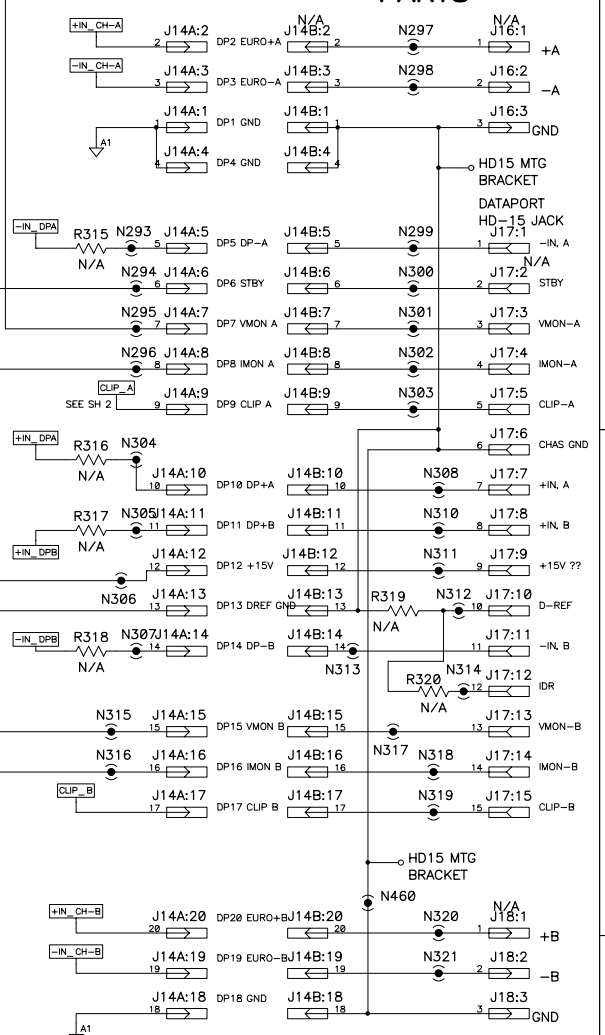
CH A V-MON, I-MON



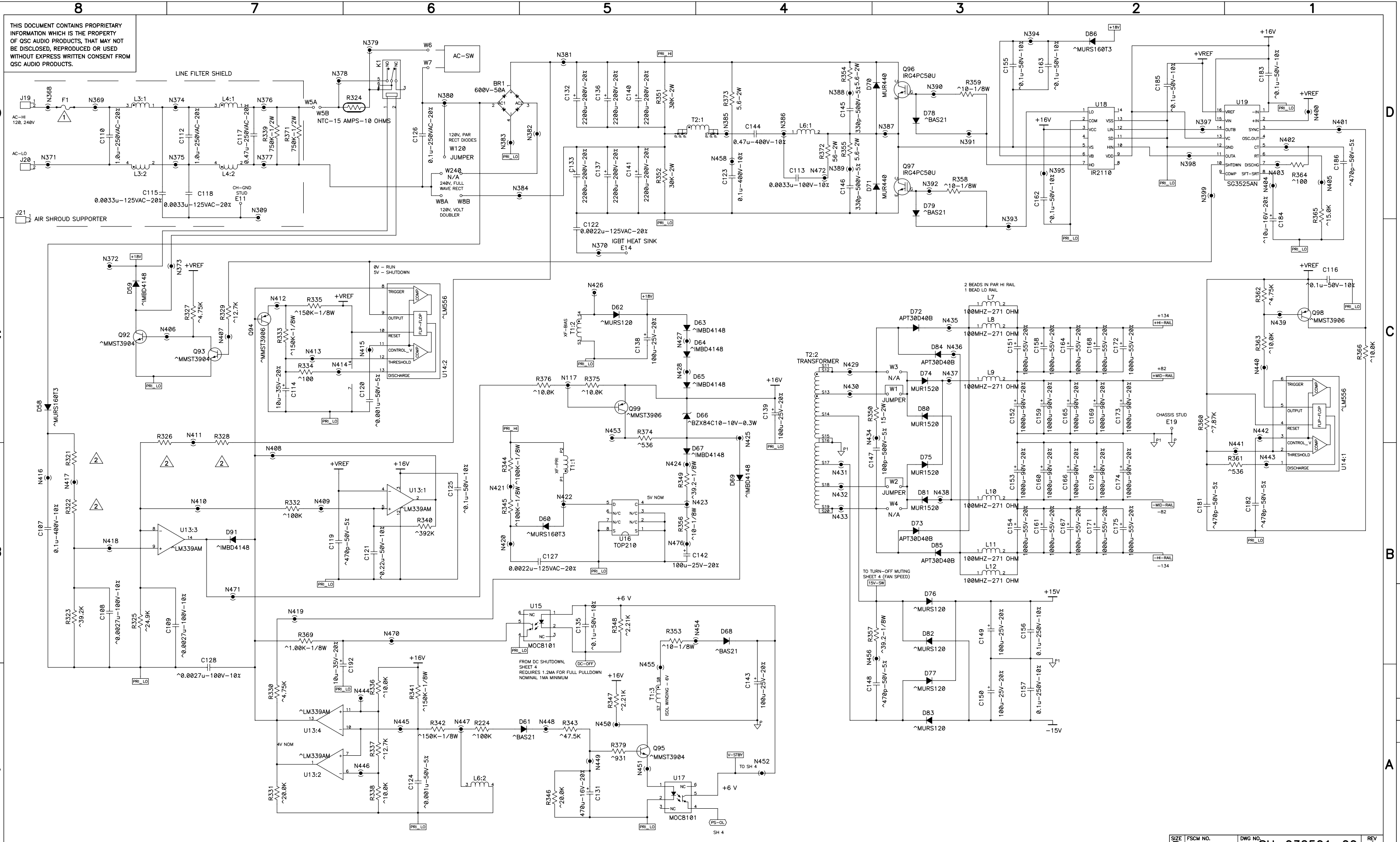
CH B V-MON, I-MON



REFERENCE DATAPORT RIBBON CABLE DO NOT STUFF D/P PCB PARTS





THIS DOCUMENT CONTAINS PROPRIETARY INFORMATION WHICH IS THE PROPERTY OF QSC AUDIO PRODUCTS, THAT MAY NOT BE DISCLOSED, REPRODUCED OR USED WITHOUT EXPRESS WRITTEN CONSENT FROM QSC AUDIO PRODUCTS.

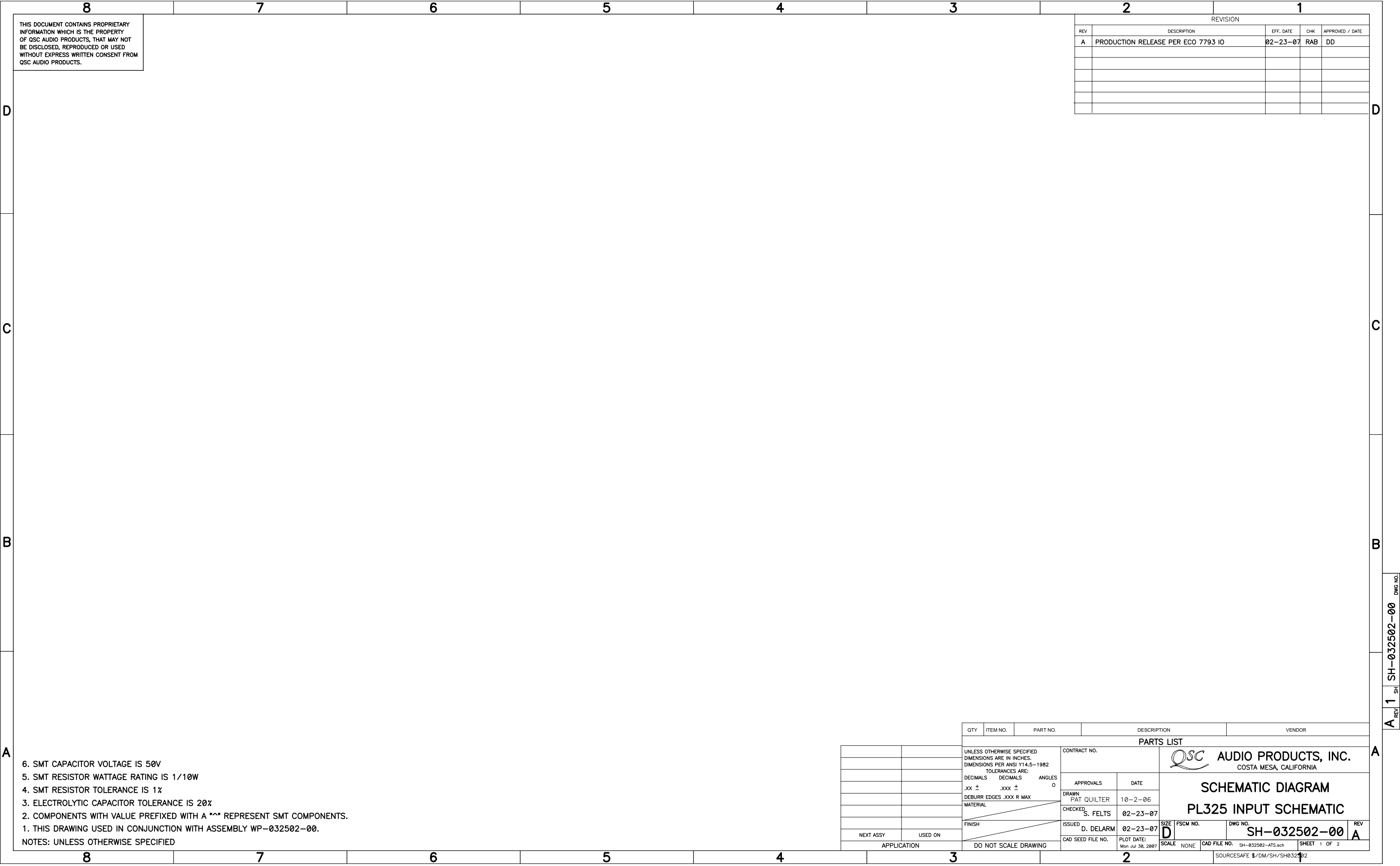


THIS DOCUMENT CONTAINS PROPRIETARY INFORMATION WHICH IS THE PROPERTY OF QSC AUDIO PRODUCTS, THAT MAY NOT BE DISCLOSED, REPRODUCED OR USED WITHOUT EXPRESS WRITTEN CONSENT FROM QSC AUDIO PRODUCTS.

REVISION				
REV	DESCRIPTION	EFF. DATE	CHK	APPROVED / DATE
A	PRODUCTION RELEASE PER ECO 7793 IO	02-23-07	RAB	DD

- 6. SMT CAPACITOR VOLTAGE IS 50V
 - 5. SMT RESISTOR WATTAGE RATING IS 1/10W
 - 4. SMT RESISTOR TOLERANCE IS 1%
 - 3. ELECTROLYTIC CAPACITOR TOLERANCE IS 20%
 - 2. COMPONENTS WITH VALUE PREFIXED WITH A "*" REPRESENT SMT COMPONENTS.
 - 1. THIS DRAWING USED IN CONJUNCTION WITH ASSEMBLY WP-032502-00.
- NOTES: UNLESS OTHERWISE SPECIFIED

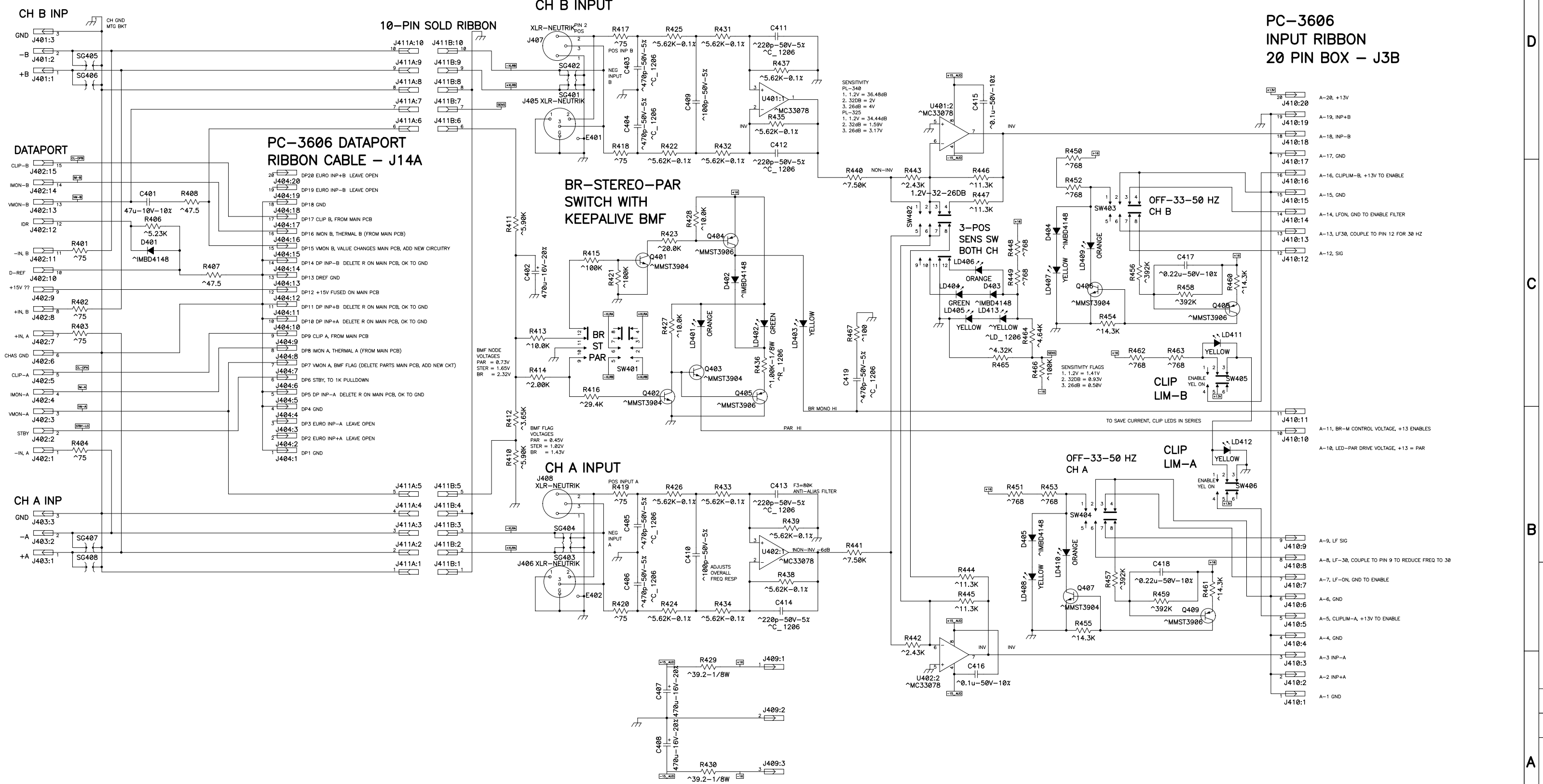
QTY	ITEM NO.	PART NO.	DESCRIPTION	VENDOR
PARTS LIST				
UNLESS OTHERWISE SPECIFIED DIMENSIONS ARE IN INCHES. DIMENSIONS PER ANSI Y14.5-1982 TOLERANCES ARE: DECIMALS DECIMALS ANGLES .xx ± .xxx ± 0 DEBURR EDGES .XXX R MAX MATERIAL			CONTRACT NO.	 AUDIO PRODUCTS, INC. COSTA MESA, CALIFORNIA
FINISH			APPROVALS	
NEXT ASSY USED ON			DATE	
APPLICATION			DRAWN PAT QUILTER 10-2-06 CHECKED S. FELTS 02-23-07 ISSUED D. DELARM 02-23-07 CAD SEED FILE NO. PLOT DATE: Mon Jul 30, 2007	
<div style="text-align: center;">  AUDIO PRODUCTS, INC. COSTA MESA, CALIFORNIA </div> <div style="text-align: center;"> SCHEMATIC DIAGRAM PL325 INPUT SCHEMATIC </div>				SIZE D FSCM NO. DWG NO. SH-032502-00 REV A SCALE NONE CAD FILE NO. SH-032502-ATS.sch SHEET 1 OF 2 SOURCESAFE \$/DM/SH/SH032502



A REV 1 SH-032502-00 DWG NO.

THIS DOCUMENT CONTAINS PROPRIETARY INFORMATION WHICH IS THE PROPERTY OF QSC AUDIO PRODUCTS, THAT MAY NOT BE DISCLOSED, REPRODUCED OR USED WITHOUT EXPRESS WRITTEN CONSENT FROM QSC AUDIO PRODUCTS.

PLC-BASED PL-3 INPUT PCB. NUMBERING 401-UP

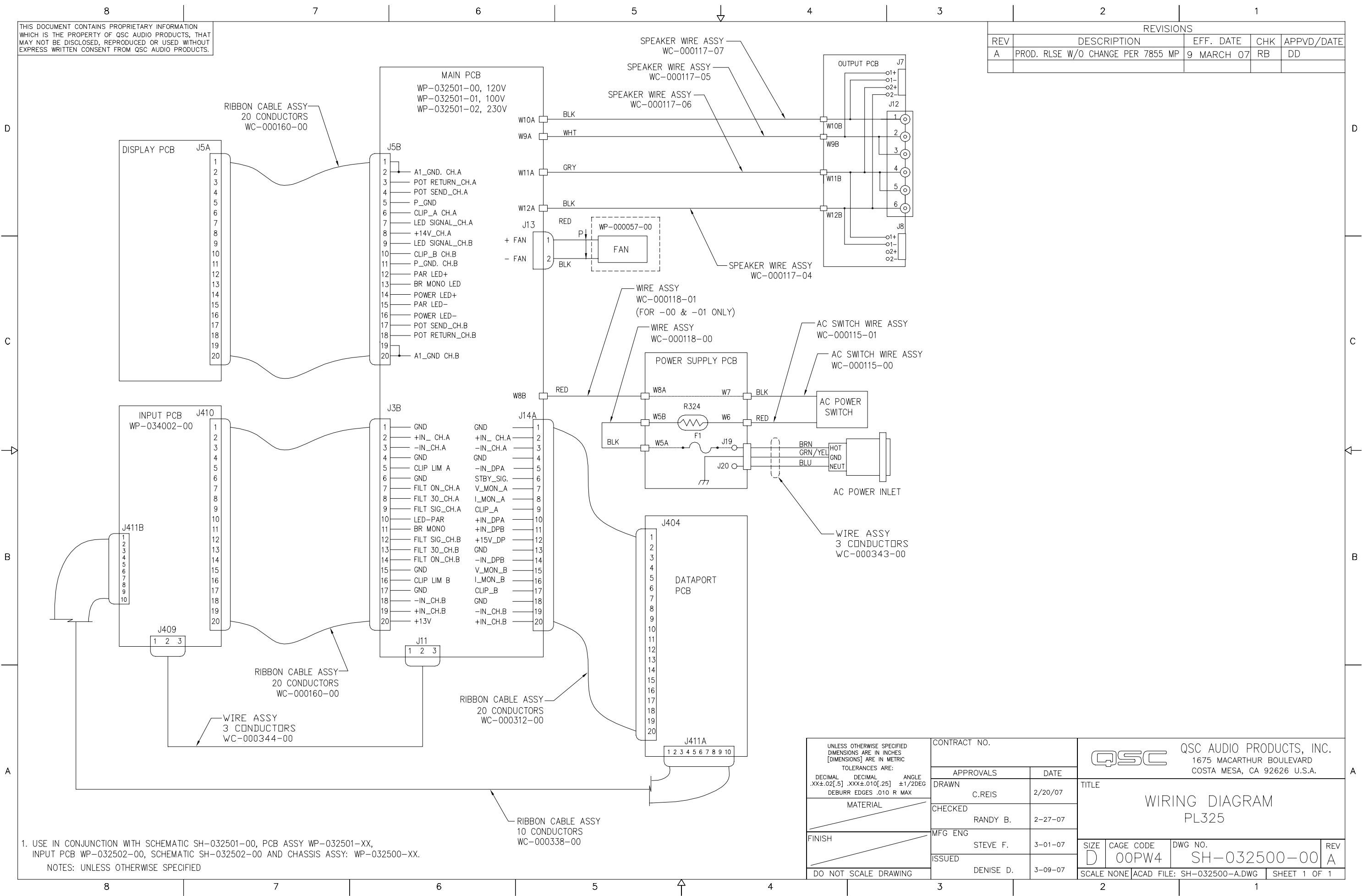


- PC-3606 INPUT RIBBON 20 PIN BOX - J3B**
- 28 J410:20 A-20, +13V
 - 19 J410:19 A-19, INP+B
 - 18 J410:18 A-18, INP-B
 - 17 J410:17 A-17, GND
 - 16 J410:16 A-16, CLIPUM-B, +13V TO ENABLE
 - 15 J410:15 A-15, GND
 - 14 J410:14 A-14, LFON, GND TO ENABLE FILTER
 - 13 J410:13 A-13, LF30, COUPLE TO PIN 12 FOR 30 HZ
 - 12 J410:12 A-12, SIG
 - 11 J410:11 A-11, BR-M CONTROL VOLTAGE, +13 ENABLES
 - 10 J410:10 A-10, LED-PAR DRIVE VOLTAGE, +13 = PAR
 - 9 J410:9 A-9, LF SIG
 - 8 J410:8 A-8, LF-30, COUPLE TO PIN 9 TO REDUCE FREQ TO 30
 - 7 J410:7 A-7, LF-ON, GND TO ENABLE
 - 6 J410:6 A-6, GND
 - 5 J410:5 A-5, CLIPUM-A, +13V TO ENABLE
 - 4 J410:4 A-4, GND
 - 3 J410:3 A-3 INP-A
 - 2 J410:2 A-2 INP+A
 - 1 J410:1 A-1 GND

A REV 2 SH-032502-00 DWG NO.

THIS DOCUMENT CONTAINS PROPRIETARY INFORMATION WHICH IS THE PROPERTY OF QSC AUDIO PRODUCTS, THAT MAY NOT BE DISCLOSED, REPRODUCED OR USED WITHOUT EXPRESS WRITTEN CONSENT FROM QSC AUDIO PRODUCTS.

REVISIONS				
REV	DESCRIPTION	EFF. DATE	CHK	APPVD/DATE
A	PROD. RLSE W/O CHANGE PER 7855 MP	9 MARCH 07	RB	DD



1. USE IN CONJUNCTION WITH SCHEMATIC SH-032501-00, PCB ASSY WP-032501-XX, INPUT PCB WP-032502-00, SCHEMATIC SH-032502-00 AND CHASSIS ASSY: WP-032500-XX.
 NOTES: UNLESS OTHERWISE SPECIFIED

UNLESS OTHERWISE SPECIFIED DIMENSIONS ARE IN INCHES [DIMENSIONS] ARE IN METRIC TOLERANCES ARE: DECIMAL .XX±.02[.5] .XXX±.010[.25] ±1/2DEG DEBURR EDGES .010 R MAX	CONTRACT NO.		QSC AUDIO PRODUCTS, INC. 1675 MACARTHUR BOULEVARD COSTA MESA, CA 92626 U.S.A.
	APPROVALS	DATE	
	DRAWN	C.REIS 2/20/07	
	CHECKED	RANDY B. 2-27-07	
	MFG ENG	STEVE F. 3-01-07	
ISSUED	DENISE D. 3-09-07		
DO NOT SCALE DRAWING	TITLE	WIRING DIAGRAM PL325	
	SIZE	CAGE CODE	DWG NO.
	D	00PW4	SH-032500-00
	SCALE NONE	ACAD FILE: SH-032500-A.DWG	SHEET 1 OF 1