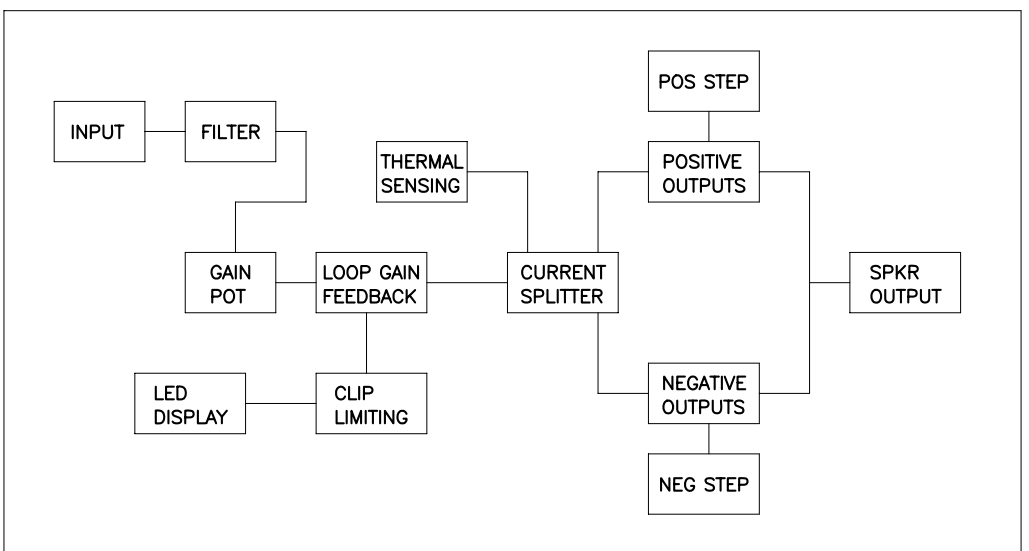
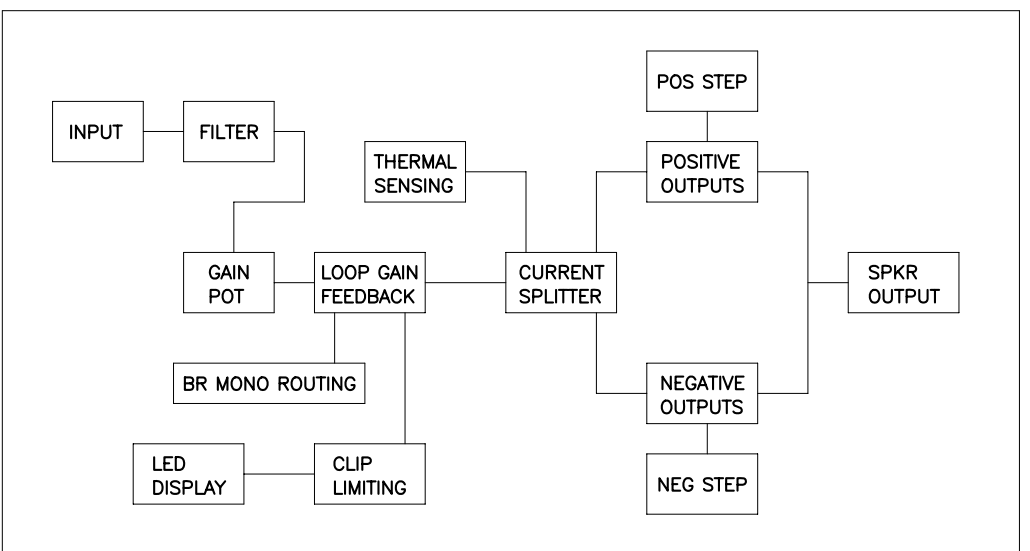


THIS DOCUMENT CONTAINS PROPRIETARY INFORMATION WHICH IS THE PROPERTY OF QSC AUDIO PRODUCTS, THAT MAY NOT BE DISCLOSED, REPRODUCED OR USED WITHOUT EXPRESS WRITTEN CONSENT FROM QSC AUDIO PRODUCTS.

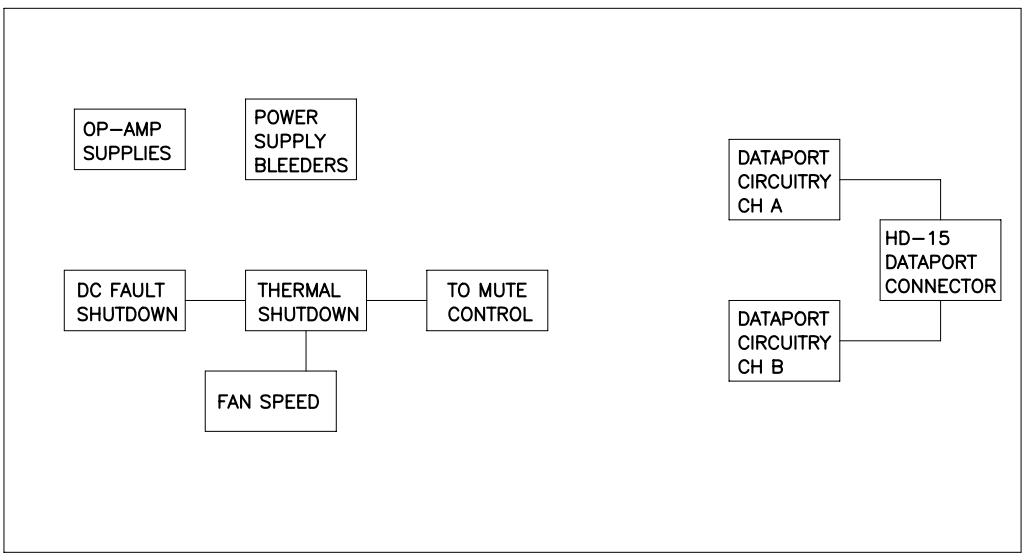
REVISION				
REV	DESCRIPTION	EFF. DATE	CHK	APPROVED / DATE
A	PRODUCTION RELEASE PER ECO 6947 AA	12-23-05	RAB	DD



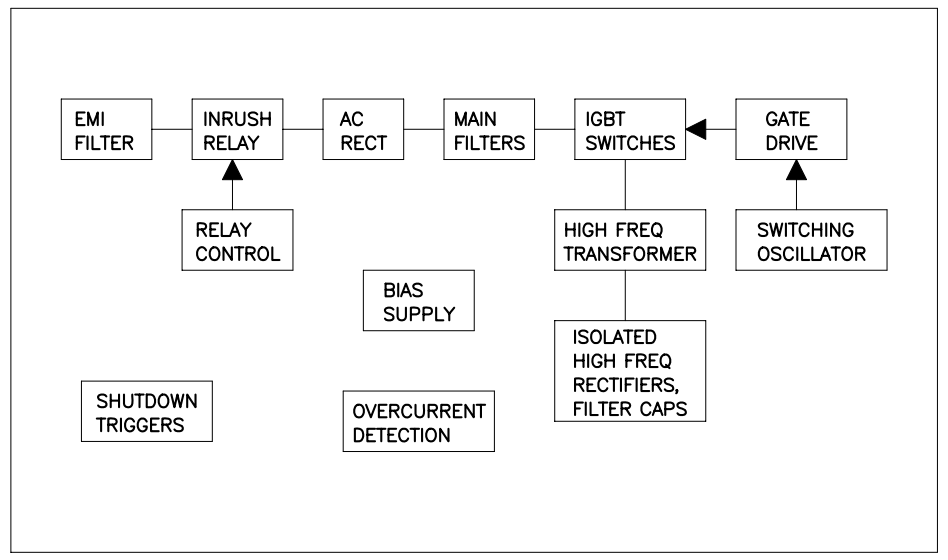
CHANNEL A
AUDIO CIRCUITS
SHEET 2



CHANNEL B
AUDIO CIRCUITS
SHEET 3



SUPPORT,
PROTECTION
AND DATAPORT
CIRCUITS
SHEET 4



SWITCHING
POWER
SUPPLY
SHEET 5

TABULATION BLOCK			
DASH NO.	F1	1	R321, 322, 326, 328 2
-00 (120V)	25A, 125V		487K
-01 (100V)	30A, 125V		392K
-02 (230V)	15A, 250V		487K

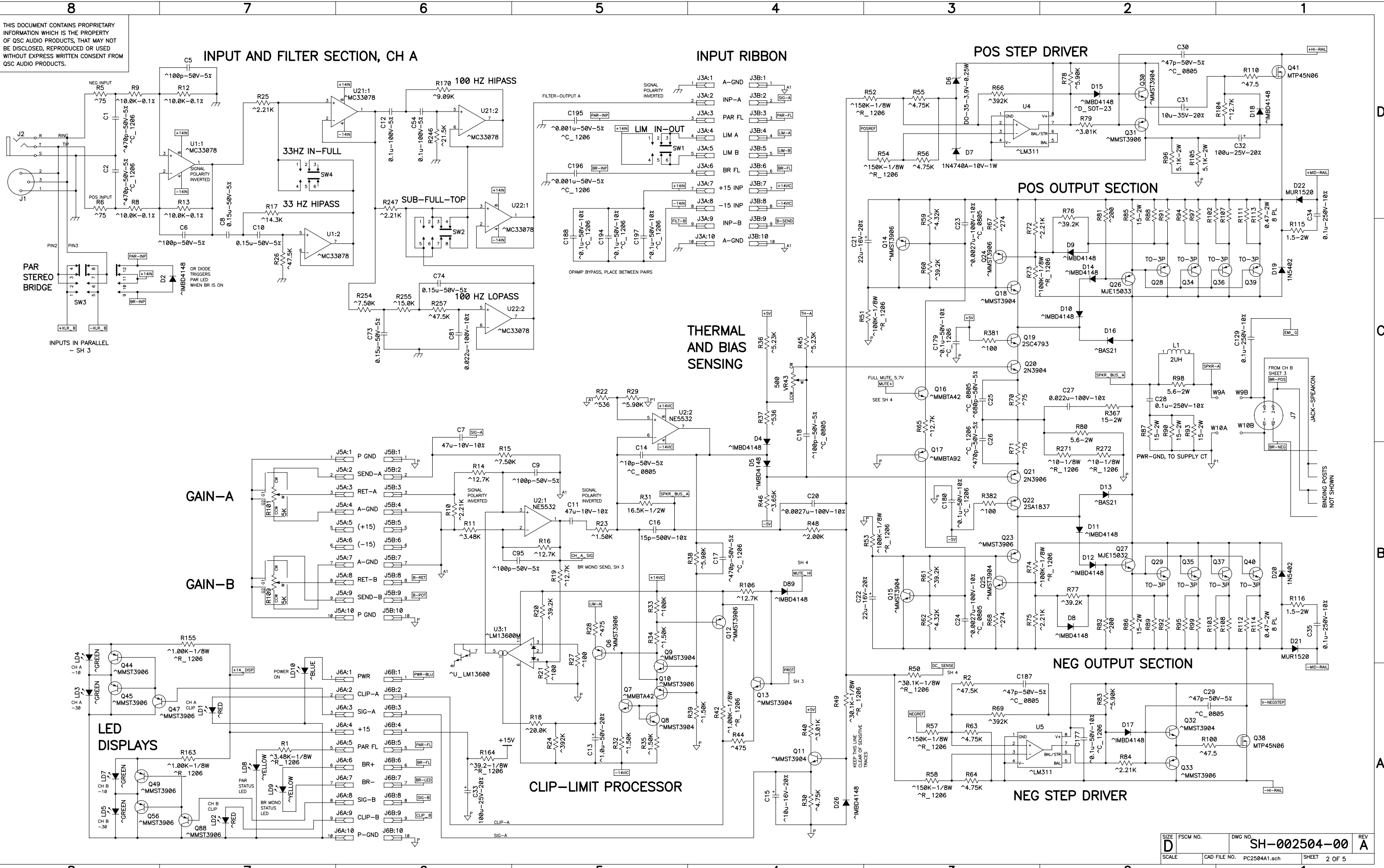
QTY	ITEM NO.	PART NO.	DESCRIPTION	VENDOR
UNLESS OTHERWISE SPECIFIED DIMENSIONS ARE IN INCHES. DIMENSIONS PER ANSI Y14.5-1982 TOLERANCES ARE: DECIMALS DECIMALS ANGLES .XX ± .XXX ± ° DEBURR EDGES .XXX R MAX MATERIAL FINISH				
NEXT ASSY		USED ON	APPLICATION	DO NOT SCALE DRAWING

CONTRACT NO.		QSC AUDIO PRODUCTS, INC. COSTA MESA, CALIFORNIA	
APPROVALS	DATE	SCHEMATIC DIAGRAM PLX2502	
DRAWN PAT QUILTER	6-24-05	SIZE FSCM NO. DWG NO. REV D NONE CAD FILE NO. PC2504A1.sch SHEET 1 OF 5	
CHECKED R. BECKER	X	SH-002504-00 A	
ISSUED D. DELARM	X	PLOT DATE: Wed Jan 04, 2006	
CAD SEED FILE NO.	SCALE NONE		

2. COMPONENTS WITH VALUE PREFIXED WITH A "*" REPRESENT SMT COMPONENTS.
1. THIS DRAWING USED IN CONJUNCTION WITH ASSEMBLY WP-002503-XX.
NOTES: UNLESS OTHERWISE SPECIFIED

DWG NO. SH-002504-00 REV 1

THIS DOCUMENT CONTAINS PROPRIETARY INFORMATION WHICH IS THE PROPERTY OF QSC AUDIO PRODUCTS, THAT MAY NOT BE DISCLOSED, REPRODUCED OR USED WITHOUT EXPRESS WRITTEN CONSENT FROM QSC AUDIO PRODUCTS.



INPUT AND FILTER SECTION, CH A

INPUT RIBBON

POS STEP DRIVER

POS OUTPUT SECTION

THERMAL AND BIAS SENSING

NEG OUTPUT SECTION

NEG STEP DRIVER

CLIP-LIMIT PROCESSOR

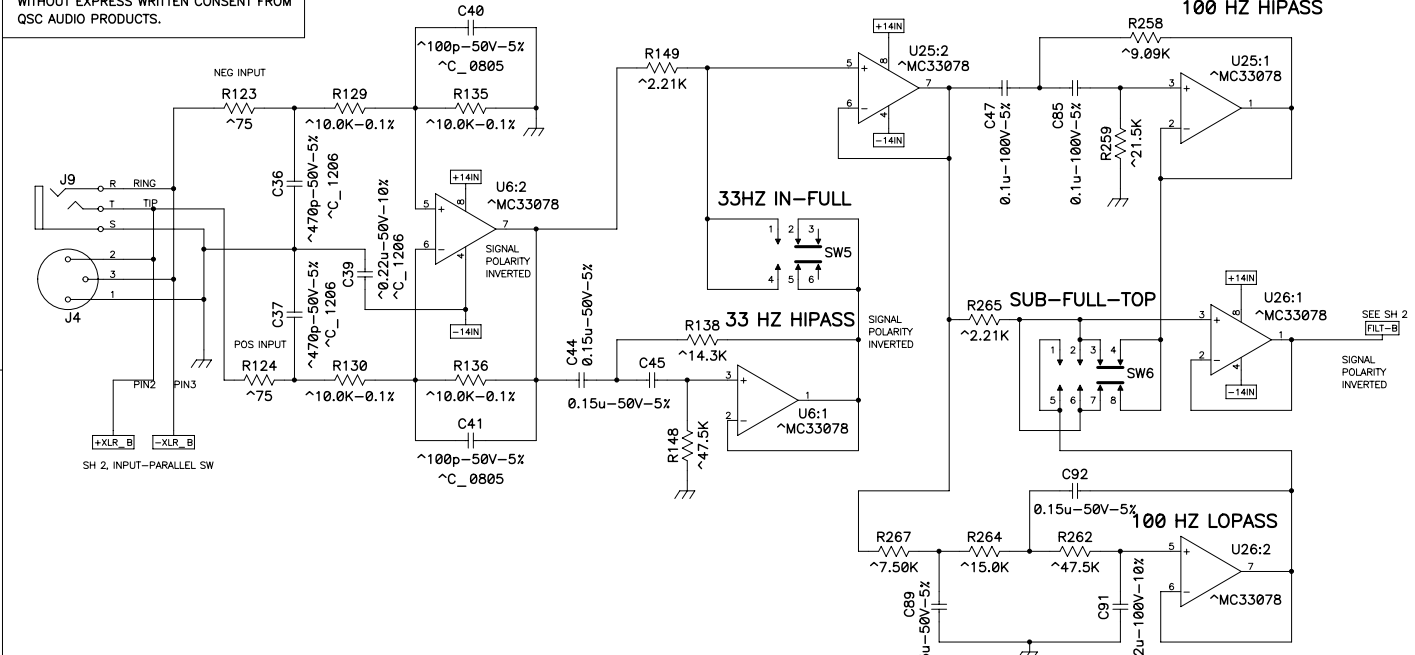
GAIN-A

GAIN-B

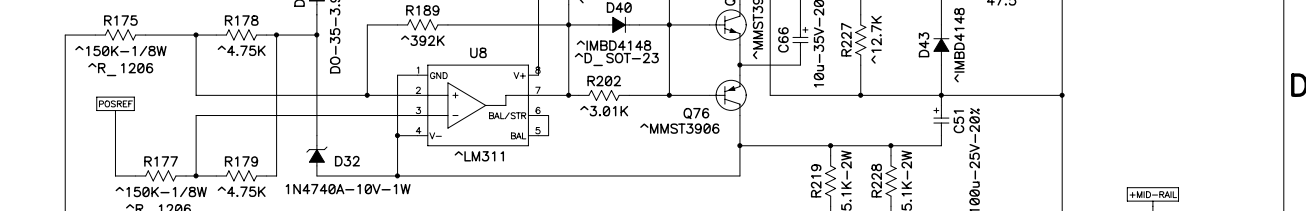
LED DISPLAYS

THIS DOCUMENT CONTAINS PROPRIETARY INFORMATION WHICH IS THE PROPERTY OF QSC AUDIO PRODUCTS, THAT MAY NOT BE DISCLOSED, REPRODUCED OR USED WITHOUT EXPRESS WRITTEN CONSENT FROM QSC AUDIO PRODUCTS.

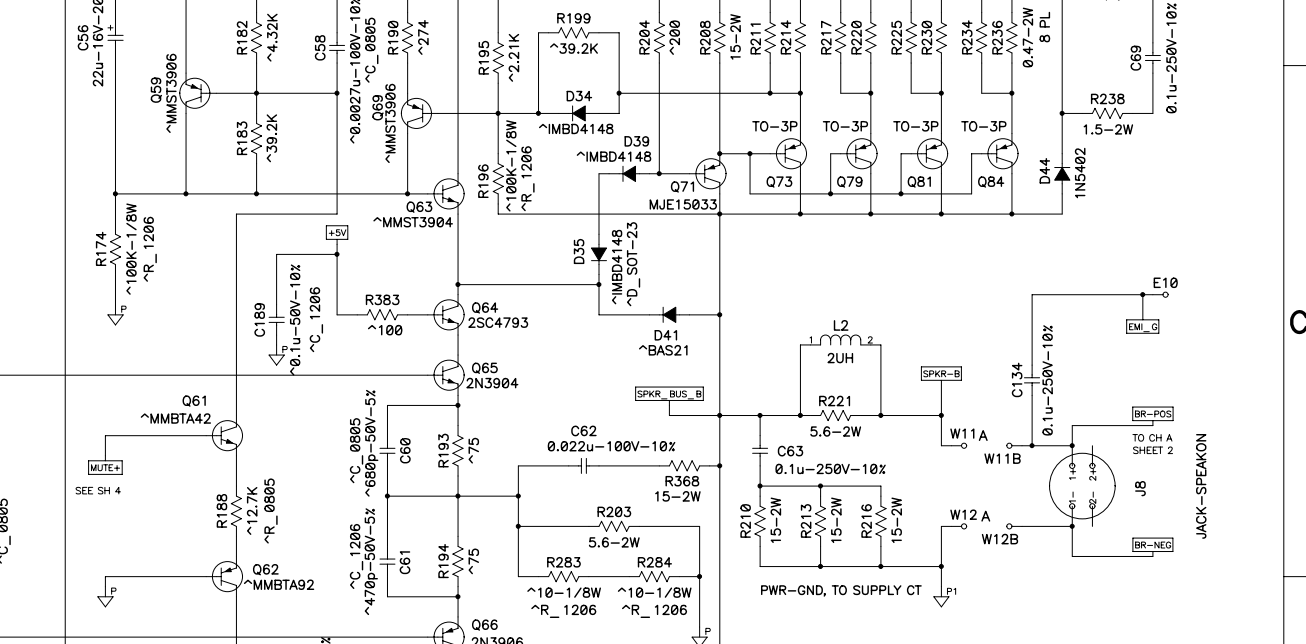
INPUT AND FILTER SECTION, CH B



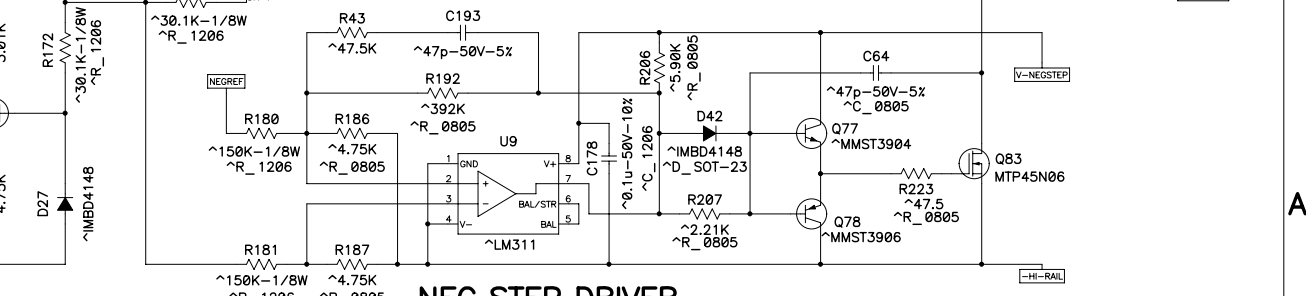
POS STEP DRIVER



POS OUTPUT SECTION



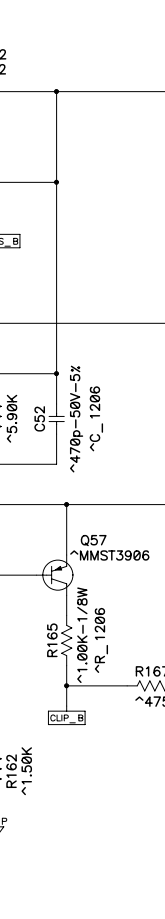
NEG OUTPUT SECTION



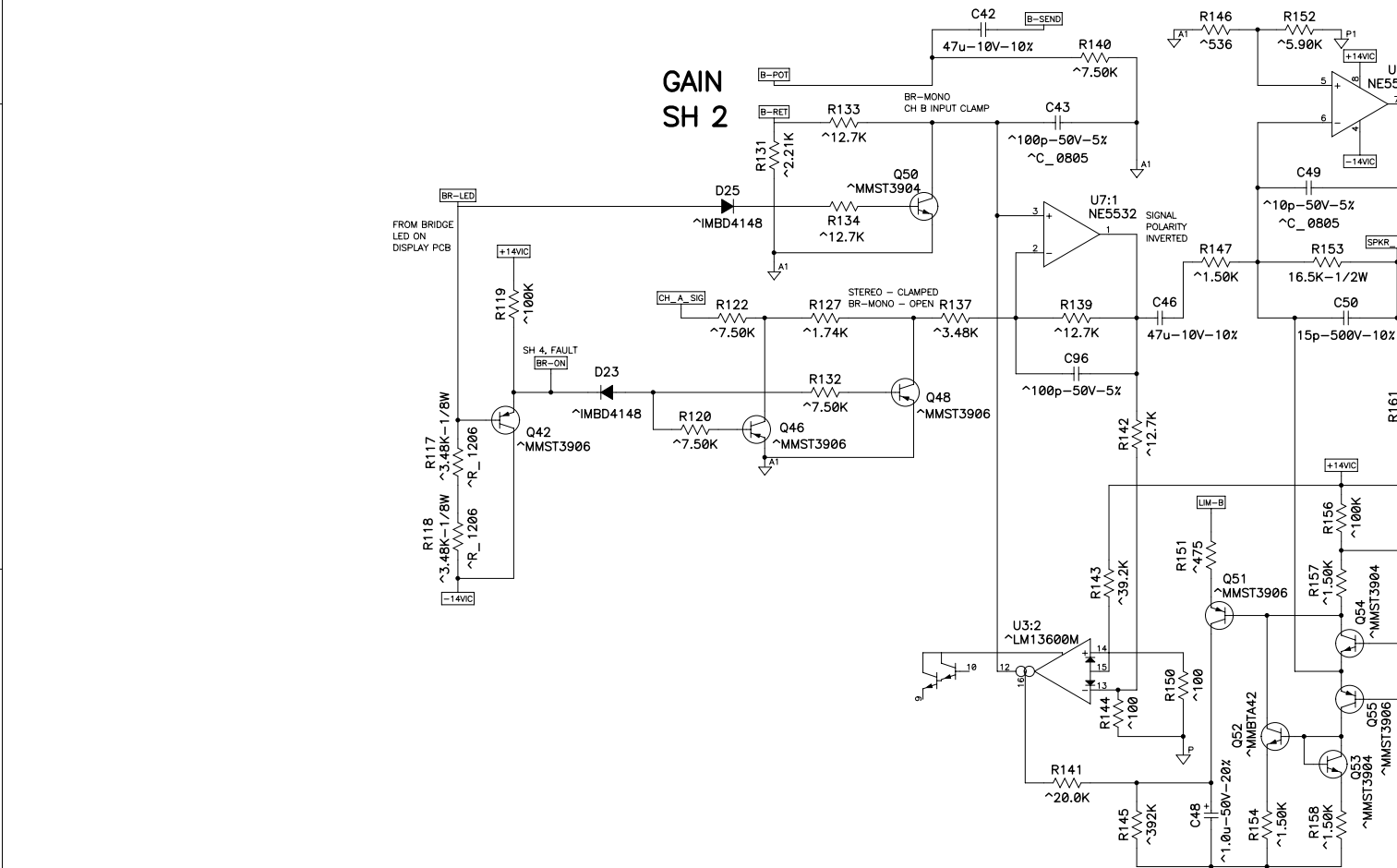
NEG STEP DRIVER



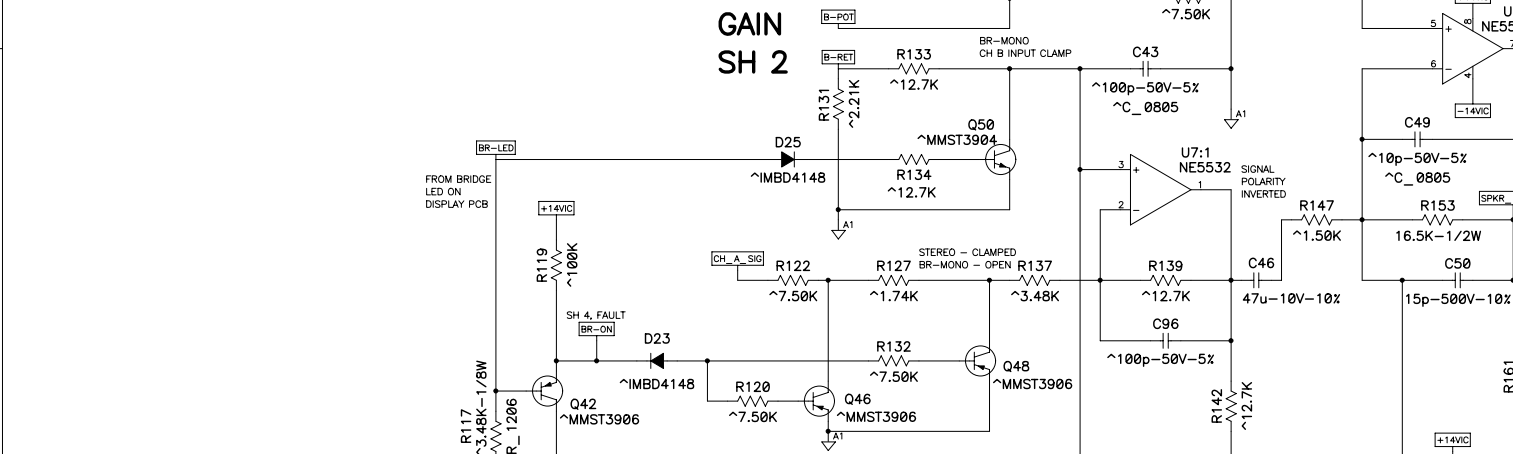
THERMAL AND BIAS SENSING



CLIP-LIMIT PROCESSOR

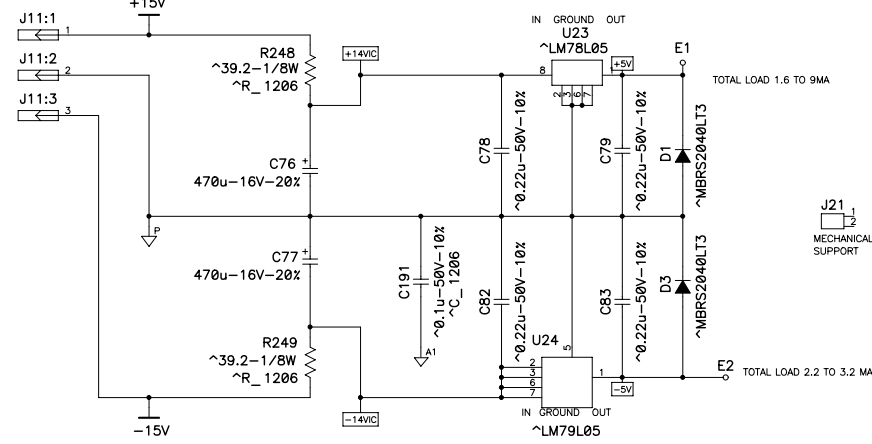


GAIN SH 2

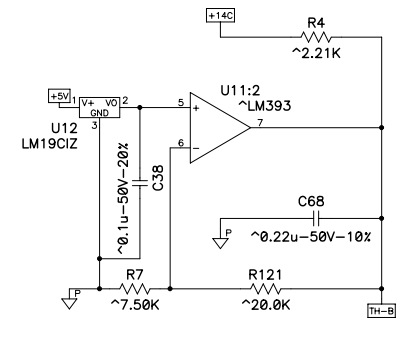
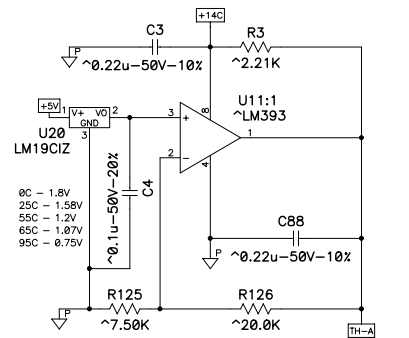
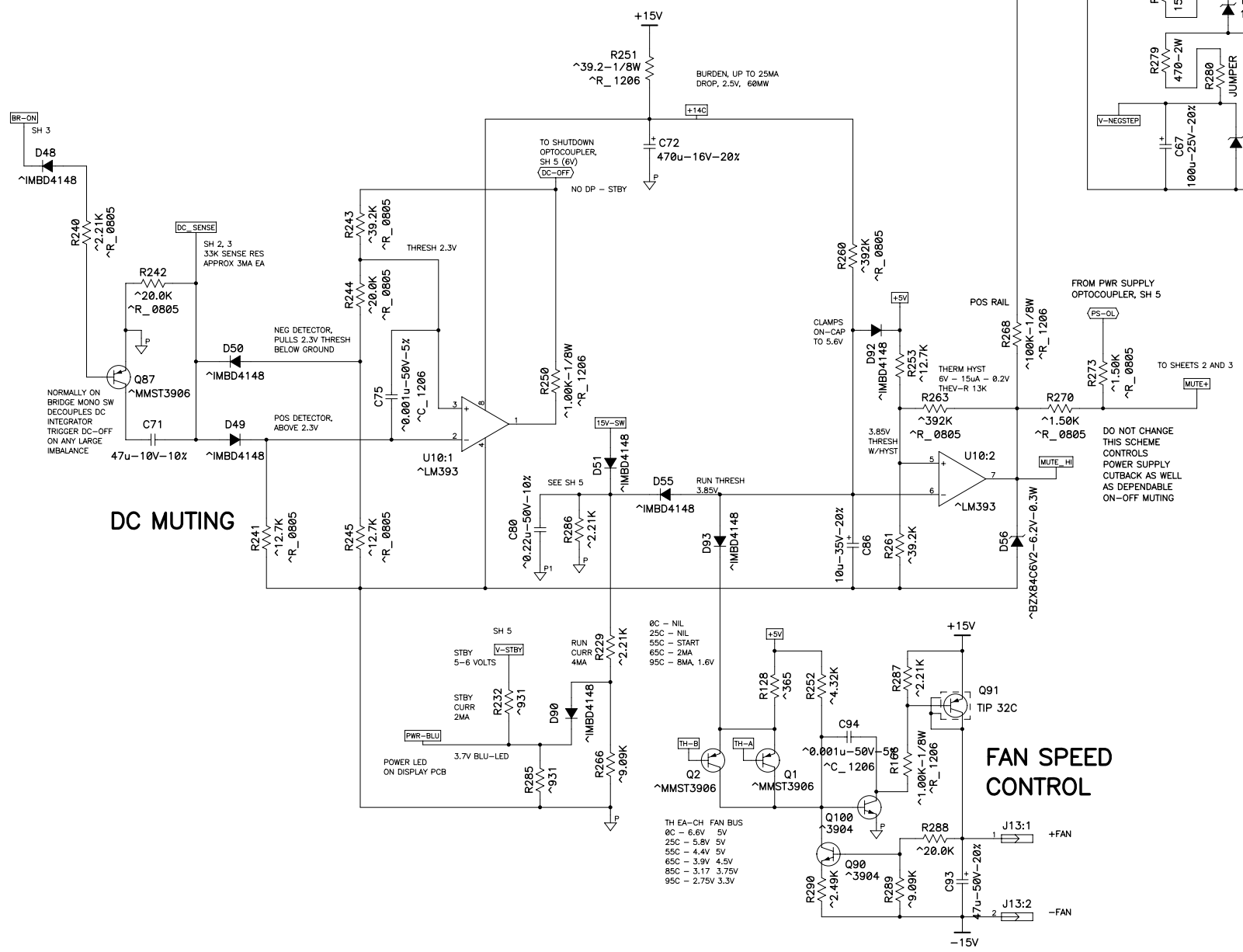
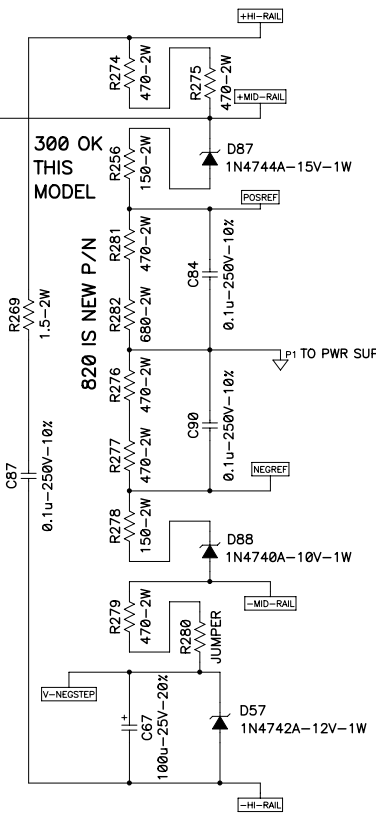


THIS DOCUMENT CONTAINS PROPRIETARY INFORMATION WHICH IS THE PROPERTY OF QSC AUDIO PRODUCTS, THAT MAY NOT BE DISCLOSED, REPRODUCED OR USED WITHOUT EXPRESS WRITTEN CONSENT FROM QSC AUDIO PRODUCTS.

OPAMP POWER SUPPLIES



BLEEDER LOAD, 1460R



THERMAL SENSORS

THIS DOCUMENT CONTAINS PROPRIETARY INFORMATION WHICH IS THE PROPERTY OF QSC AUDIO PRODUCTS, THAT MAY NOT BE DISCLOSED, REPRODUCED OR USED WITHOUT EXPRESS WRITTEN CONSENT FROM QSC AUDIO PRODUCTS.

