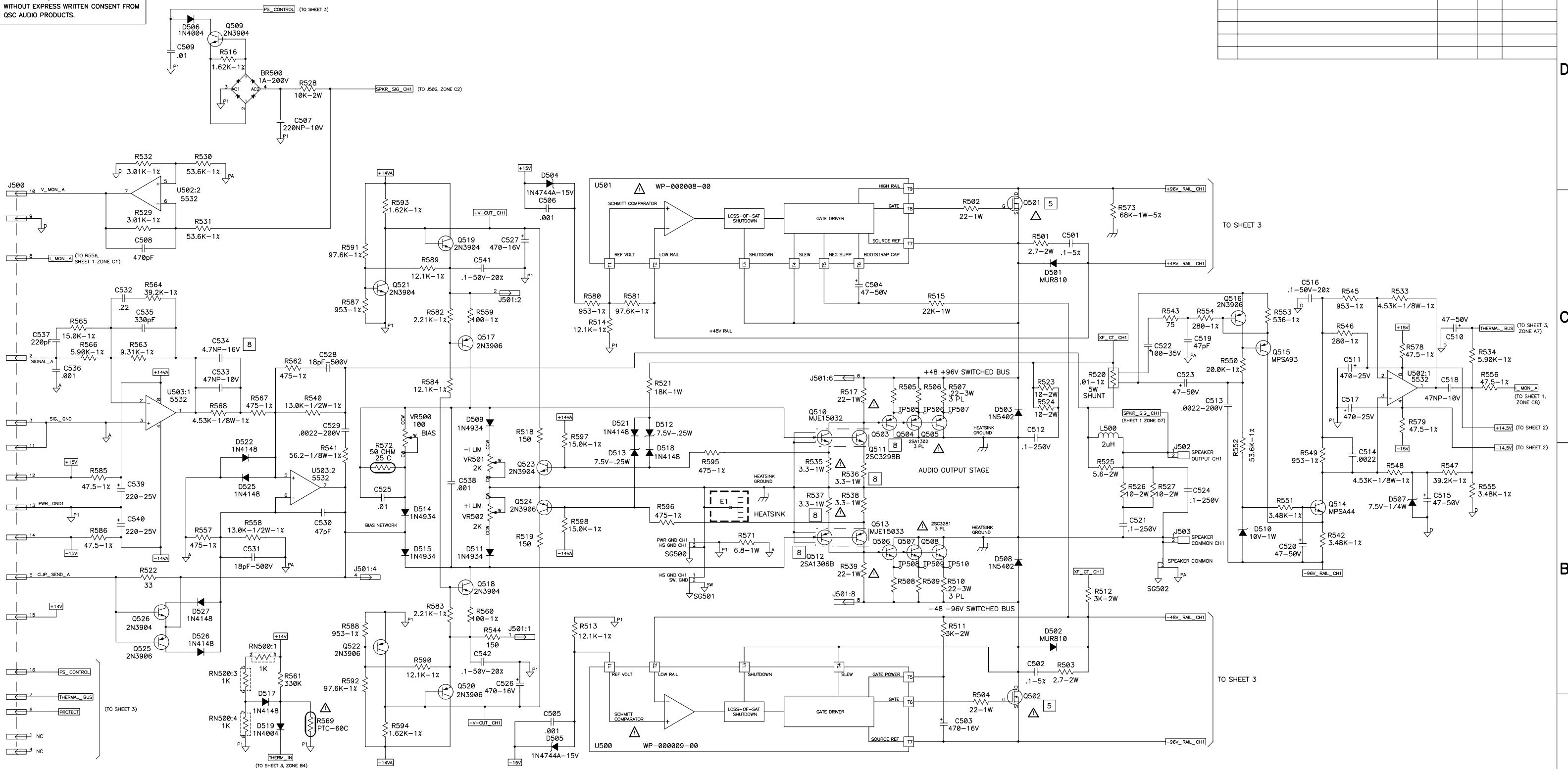


THIS DOCUMENT CONTAINS PROPRIETARY INFORMATION WHICH IS THE PROPERTY OF QSC AUDIO PRODUCTS. THAT MAY NOT BE DISCLOSED, REPRODUCED OR USED WITHOUT EXPRESS WRITTEN CONSENT FROM QSC AUDIO PRODUCTS.

REVISION			
REV	DESCRIPTION	EFF. DATE	CHK / APPROVED / DATE
A	PRODUCTION RELEASE PER ECO 3416 AA	10-31-97	



5. Q501, 502, ARE SWITCHING FETS, QSC P/N QD-000031-QD, 125W, 60V MINIMUM, ON-RESISTANCE 0.030 OHMS MAX.
4. R569, 669 ARE POSITIVE TEMPERATURE COEFFICIENT RESISTORS MOUNTED TO HEAT SINK. RESISTANCE 100 OHM COLD, RISING AT 55C. QSC P/N RE-000006-VP. R710 IS MOUNTED TO SIDE OF T703. QSC P/N RE-000009-PT.
3. ALL CAPACITORS 100V. TOLERANCE 20% FOR ELECTROLYTIC TYPES, 10% ON OTHER TYPES.
2. ALL RESISTORS ARE 1/4-WATT, 5%.
1. THIS DRAWING USED IN CONJUNCTION WITH ASSEMBLY WP-000251-XX.
- NOTES: UNLESS OTHERWISE SPECIFIED

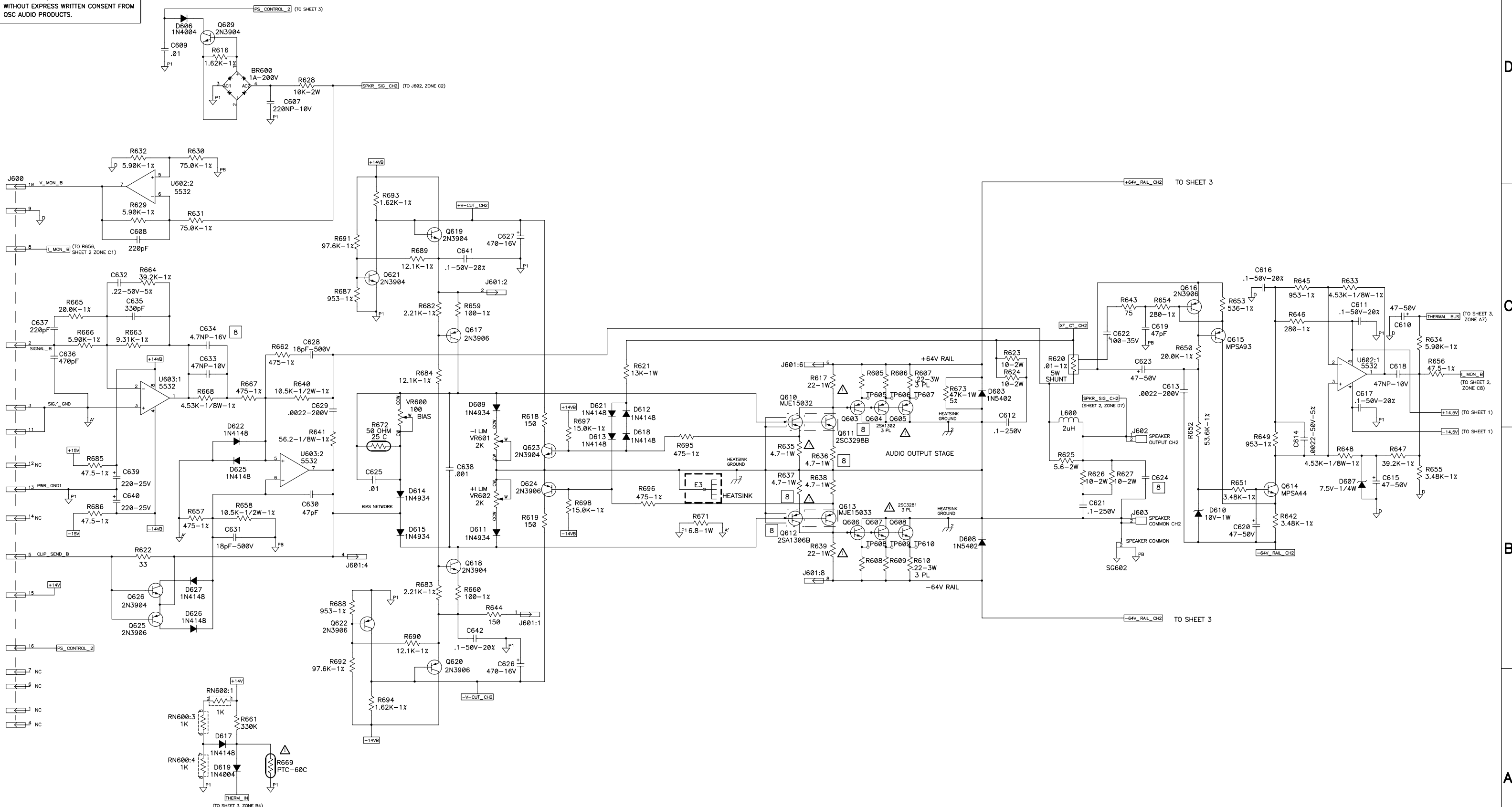
9. Q601 & Q602 ARE NOT LISTED IN THE BILL OF MATERIALS. INSTALL JUMPER (WC-0.1020-JW) ACROSS SOURCE AND DRAIN OF TRANSISTORS.
- 8 COMPONENTS C534, C634, C624, Q511, Q512, Q611, Q612, R63, R536, R537, R636, R637 ARE SPARES AND ARE NOT LISTED IN THE BILL OF MATERIALS.
7. PARTS MARKED WITH TRIANGLE  $\Delta$  MUST BE REPLACED WITH EXACT TYPE ONLY.
6. ZENERS D507, 512, 513, 607, 57 AND D737, MARKED 7.5V, LOW LEAKAGE, QSC P/N QD-000024-QD.

QTY	ITEM NO.	PART NO.	DESCRIPTION	VENDOR
PARTS LIST				
UNLESS OTHERWISE SPECIFIED DIMENSIONS ARE IN INCHES. DIMENSIONS PER ANSI Y14.5-1982 TOLERANCES ARE:			CONTRACT NO.	
DECIMALS .XX ±	DECIMALS .XXX ±	ANGLES 0	APPROVALS	
MATERIAL			DATE	
FINISH			DRAWN R. BECKER	
NEXT ASSY USED ON			CHECKED	
APPLICATION			ISSUED	
DO NOT SCALE DRAWING			CAD SEED FILE NO.	
SCALE NONE			SHEET 1 OF 3	
CAD FILE NO. SH0251-a.sch			REV A	
PLOT DATE: Thu Sep 28, 2000			PL1.5X.MAIN	

DWG NO. SH-000251-00

SHEET 1 OF 3

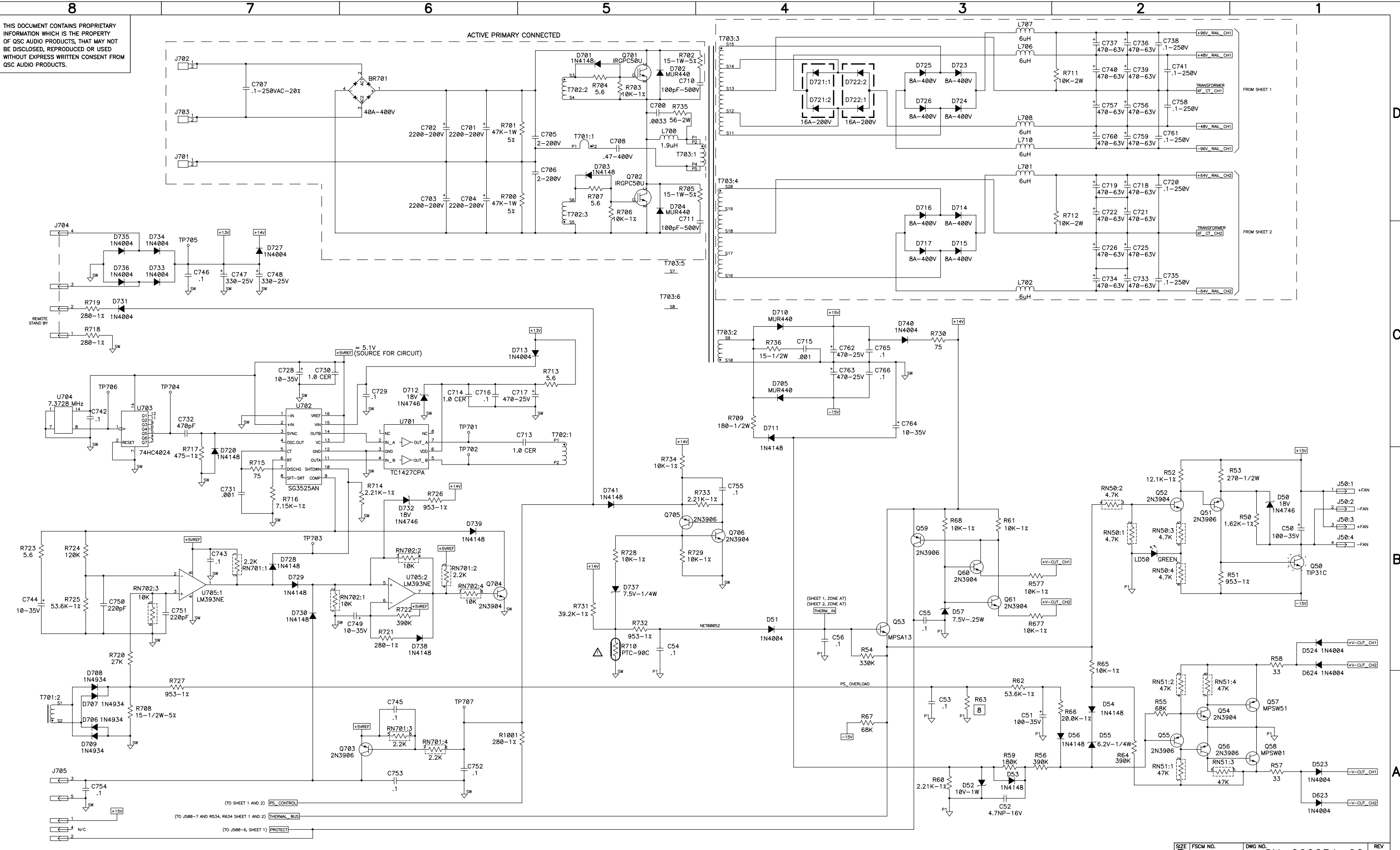
THIS DOCUMENT CONTAINS PROPRIETARY INFORMATION WHICH IS THE PROPERTY OF QSC AUDIO PRODUCTS. THAT MAY NOT BE DISCLOSED, REPRODUCED OR USED WITHOUT EXPRESS WRITTEN CONSENT FROM QSC AUDIO PRODUCTS.



SIZE	FSCM NO.	DWG NO.	REV
D		SH-000251-00	A
SCALE	NONE	CAD FILE NO.	SHEET
		Sh0251-a.sch	2 OF 3
PLOT DATE:		1	
Thu Sep 28, 2000			

DWG NO. SH-000251-00 REV. 2

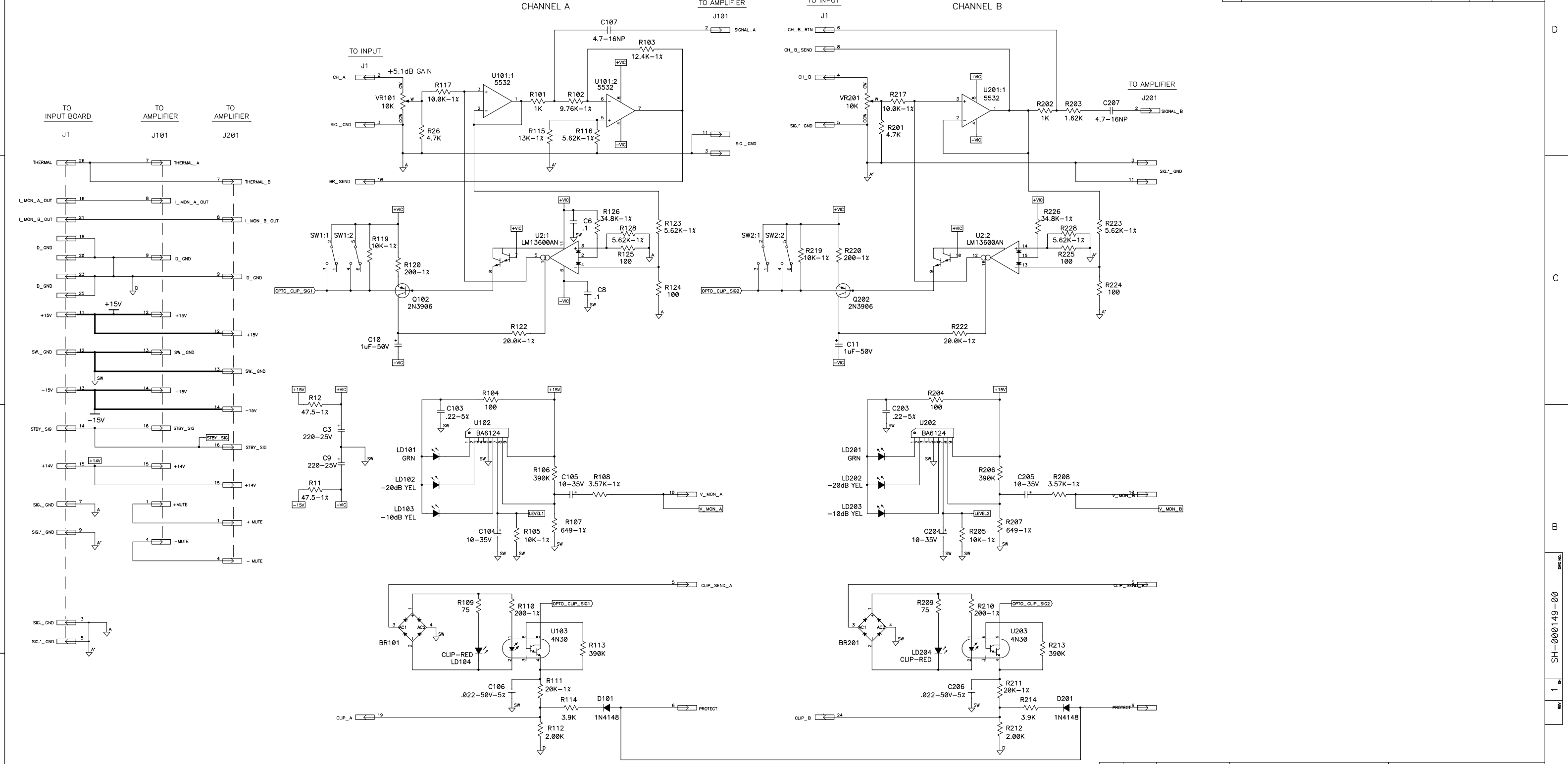
THIS DOCUMENT CONTAINS PROPRIETARY INFORMATION WHICH IS THE PROPERTY OF QSC AUDIO PRODUCTS, THAT MAY NOT BE DISCLOSED, REPRODUCED OR USED WITHOUT EXPRESS WRITTEN CONSENT FROM QSC AUDIO PRODUCTS.



SIZE	D	FSCM NO.	SH-000251-00	DWG NO.	SH-000251-00	REV	A
SCALE	NONE	CAD FILE NO.	Sh0251-a.sch	SHEET	3 OF 3		
PLOT DATE:				Thu Sep 28, 2000			

THIS DOCUMENT CONTAINS PROPRIETARY INFORMATION WHICH IS THE PROPERTY OF QSC AUDIO PRODUCTS. THAT MAY NOT BE DISCLOSED, REPRODUCED OR USED WITHOUT EXPRESS WRITTEN CONSENT FROM QSC AUDIO PRODUCTS.

REVISION				
REV	DESCRIPTION	EFF. DATE	CHK	APPROVED / DATE

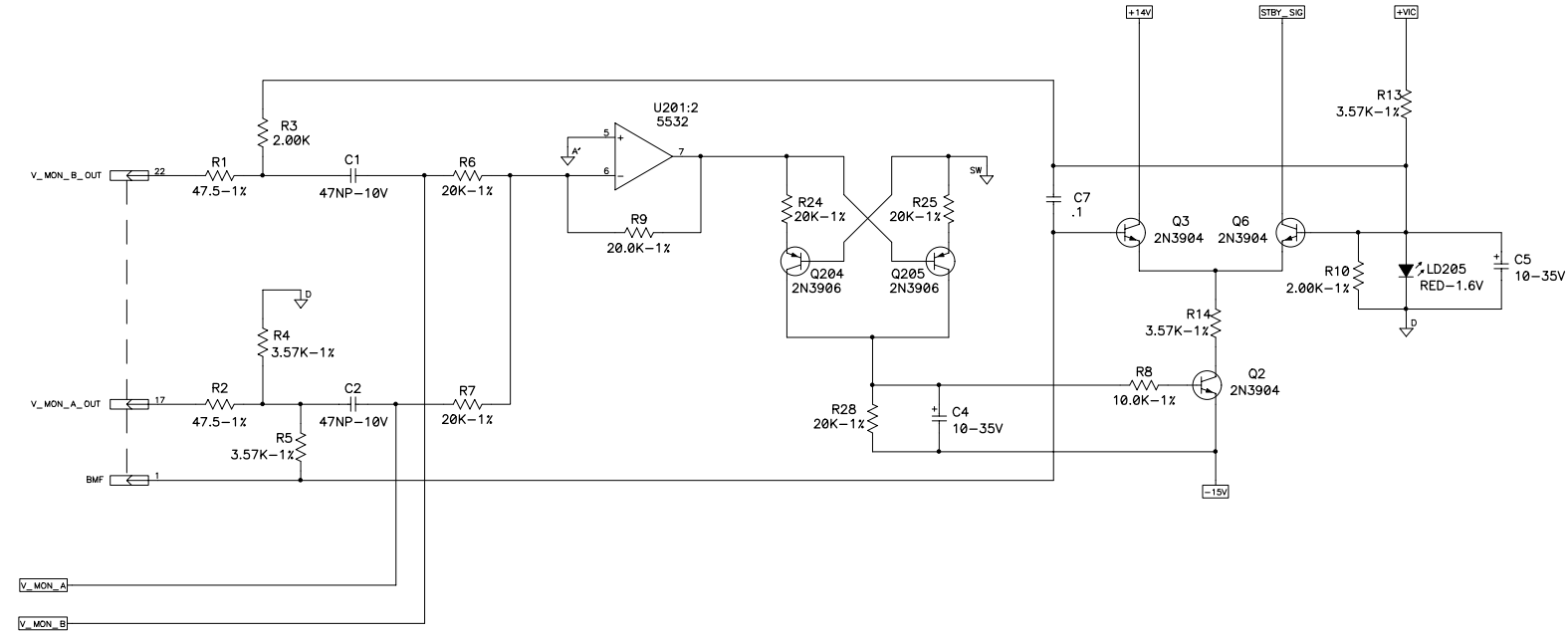
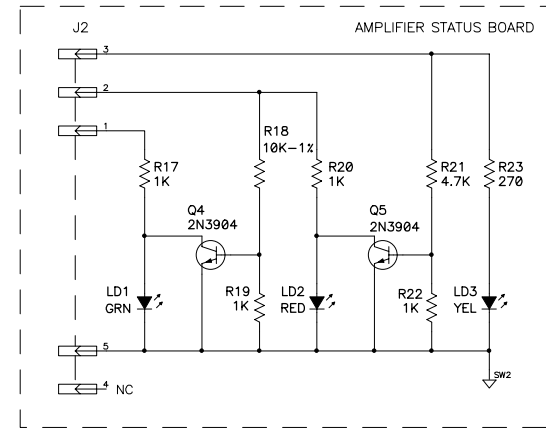


4. PARTS IN COMMON WITH BOTH CHANNELS NUMBERED 1-99.  
 CH 1 COMPONENTS NUMBERED 101-199.  
 CH 2 COMPONENTS NUMBERED 201-299.  
 3. CAPACITORS ARE IN MICROFARADS, 25V MIN.  
 2. RESISTORS ARE IN OHMS, 1/4W\_400, 5%.  
 1. THIS DRAWING USED IN CONJUNCTION WITH ASSEMBLY  
 WP-000149-00 AND FABRICATION DRAWING PC-000149-00.  
 NOTES: UNLESS OTHERWISE SPECIFIED

QTY	ITEM NO.	PART NO.	DESCRIPTION	VENDOR
PARTS LIST				
UNLESS OTHERWISE SPECIFIED DIMENSIONS ARE IN INCHES. DIMENSIONS PER ANSI Y14.5-1982 TOLERANCES ARE: DECIMALS DECIMALS ANGLES .XX ± .XXX ± 0			CONTRACT NO.	
DRAWN R. BECKER			APPROVALS	
CHECKED W. RULAND			DATE 3-12-96	
ISSUED T. SHOOK			DATE 8-21-96	
CAD SEED FILE NO. SH0149-B.SCH			DATE Thu May 04 2000	
SCALE NONE			DWG NO. SH-000149-00	
APPLICATION DO NOT SCALE DRAWING			SHEET 1 OF 2	

SH-000149-00

THIS DOCUMENT CONTAINS PROPRIETARY INFORMATION WHICH IS THE PROPERTY OF QSC AUDIO PRODUCTS. THAT MAY NOT BE DISCLOSED, REPRODUCED OR USED WITHOUT EXPRESS WRITTEN CONSENT FROM QSC AUDIO PRODUCTS.

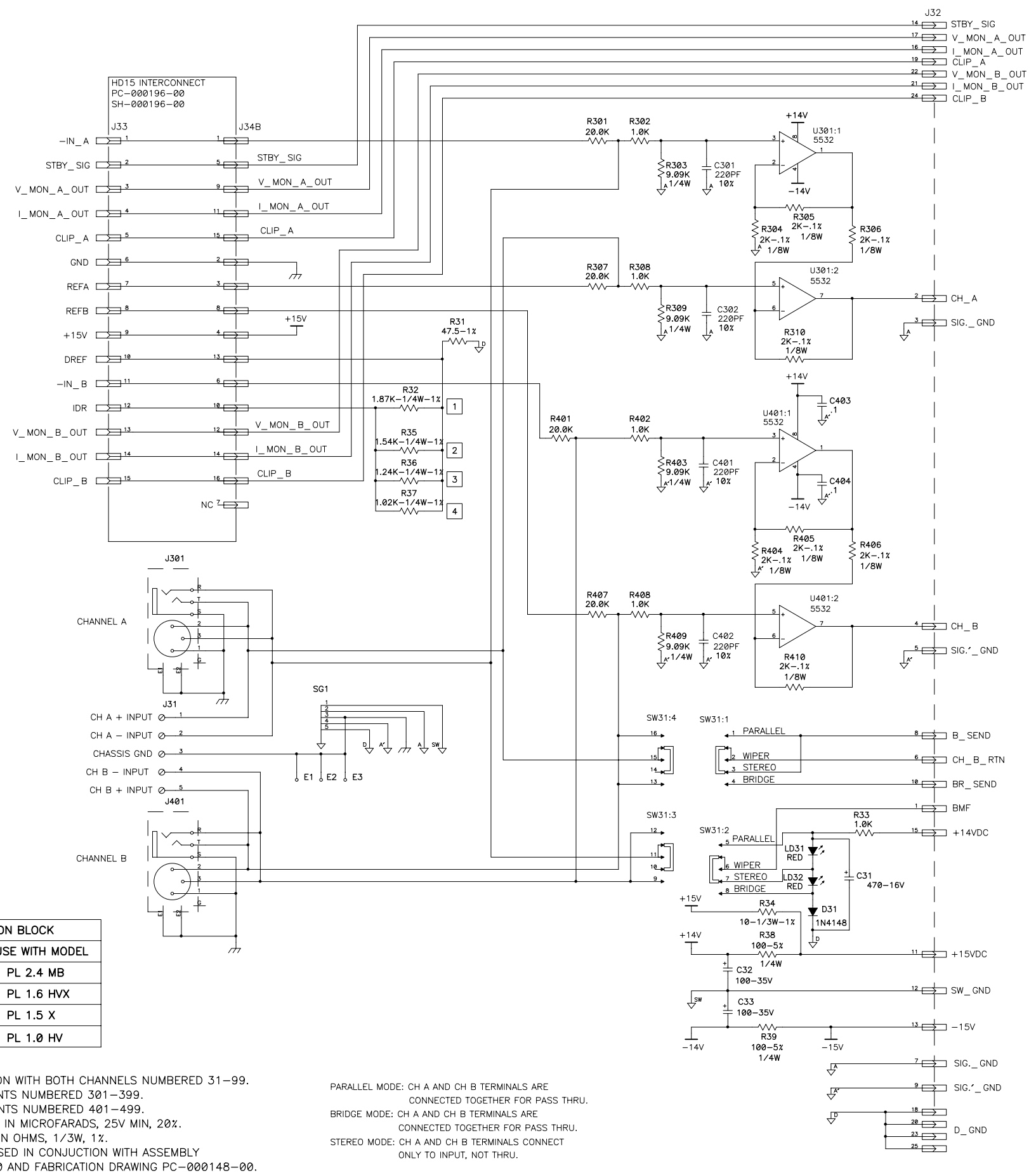


NOTES: UNLESS OTHERWISE SPECIFIED

SIZE <b>D</b>	FSCM NO.	DWG NO. SH-000149-00	REV
SCALE NONE	CAD FILE NO. sh0149-c.sch	SHEET 2	

THIS DOCUMENT CONTAINS PROPRIETARY INFORMATION WHICH IS THE PROPERTY OF QSC AUDIO PRODUCTS. THAT MAY NOT BE DISCLOSED, REPRODUCED OR USED WITHOUT EXPRESS WRITTEN CONSENT FROM QSC AUDIO PRODUCTS.

REVISION				
REV	DESCRIPTION	EFF. DATE	CHK	APPROVED / DATE



**TABULATION BLOCK**

REF. NO.	USE WITH MODEL
1	R32 PL 2.4 MB
2	R35 PL 1.6 HVX
3	R36 PL 1.5 X
4	R37 PL 1.0 HV

4. PARTS IN COMMON WITH BOTH CHANNELS NUMBERED 31-99.  
 CH A COMPONENTS NUMBERED 301-399.  
 CH B COMPONENTS NUMBERED 401-499.
3. CAPACITORS ARE IN MICROFARADS, 25V MIN, 20%.
2. RESISTORS ARE IN OHMS, 1/3W, 1%.
1. THIS DRAWING USED IN CONJUNCTION WITH ASSEMBLY WP-000312-00 AND FABRICATION DRAWING PC-000148-00.
- NOTES: UNLESS OTHERWISE SPECIFIED

PARALLEL MODE: CH A AND CH B TERMINALS ARE CONNECTED TOGETHER FOR PASS THRU.

BRIDGE MODE: CH A AND CH B TERMINALS ARE CONNECTED TOGETHER FOR PASS THRU.

STEREO MODE: CH A AND CH B TERMINALS CONNECT ONLY TO INPUT, NOT THRU.

QTY	ITEM NO.	PART NO.	DESCRIPTION	VENDOR
PARTS LIST				
WP-000310-02	PL 1.6 HVX (230V)			
WP-000318-00	PL 1.6 HVX (120V)			
WP-000250-02	PL 1.5X (230V)			
WP-000250-00	PL 1.5X (120V)			
WP-000210-02	PL 1.0HV (120V)			
WP-000210-00	PL 1.0HV (230V)			
WP-000200-02	PL 2.4MB (230V)			
WP-000200-00	PL 2.4MB (120V)			
NEXT ASSY	USED ON			
APPLICATION		DO NOT SCALE DRAWING		

UNLESS OTHERWISE SPECIFIED DIMENSIONS ARE IN INCHES. DIMENSIONS PER ANSI Y14.5-1982 TOLERANCES ARE:		CONTRACT NO.	
DECIMALS	DECIMALS	ANGLES	
.xx ±	.xxx ±	0	
DEBURR EDGES .XXX R MAX		APPROVALS	
MATERIAL		A. ARANDA	DATE
			2-4-97
		CHECKED	
		W. RULAND	10-30-97
		ISSUED	
		T. SHOOK	11-7-97
		CAD SEED FILE NO.	
		SH0148-A.SCH	
SCALE	NONE	CAD FILE NO.	sh0312-B.sch
SIZE		FSCM NO.	DWG NO.
D			SH-000312-00
REV			B
PLOT DATE:		Thu Sep 28, 2000	

SH-000312-00