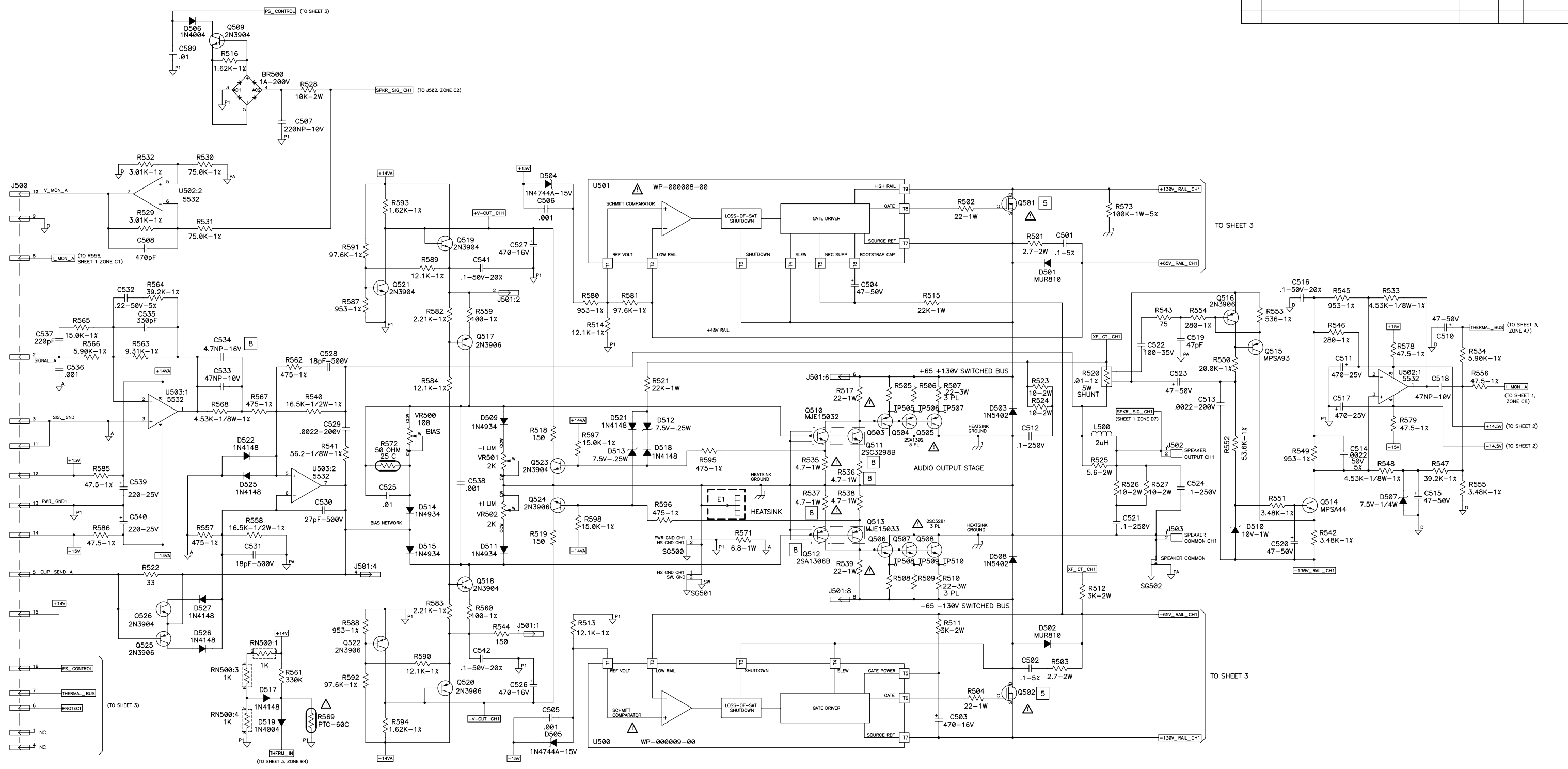


THIS DOCUMENT CONTAINS PROPRIETARY INFORMATION WHICH IS THE PROPERTY OF QSC AUDIO PRODUCTS. THAT MAY NOT BE DISCLOSED, REPRODUCED OR USED WITHOUT EXPRESS WRITTEN CONSENT FROM QSC AUDIO PRODUCTS.

REVISION				
REV	DESCRIPTION	EFF. DATE	CHK	APPROVED / DATE
A	PRODUCTION RELEASE PER ECO 3416 AA	10-31-97		



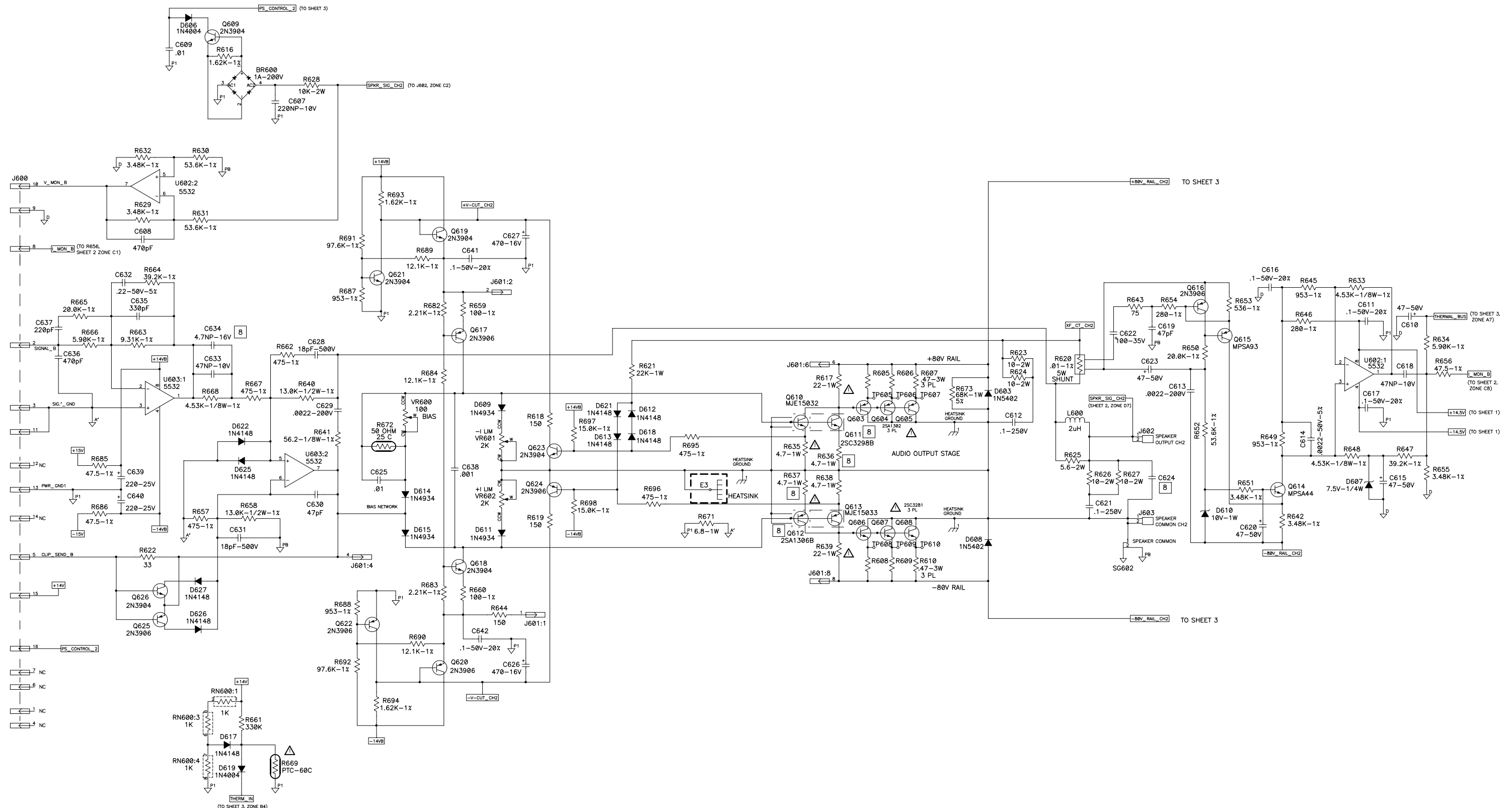
5. Q501, 502 ARE SWITCHING FETS, QSC P/N QD-000030-QD, 125W, 100V MINIMUM, ON-RESISTANCE 0.080 OHMS MAX.
4. R569, 669 ARE POSITIVE TEMPERATURE COEFFICIENT RESISTORS MOUNTED TO HEAT SINK. RESISTANCE 100 OHM COLD, RISING AT 55C. QSC P/N RE-000006-VP. R710 IS MOUNTED TO SIDE OF T703. QSC P/N RE-000009-PT.
3. ALL CAPACITORS 100V. TOLERANCE 20% FOR ELECTROLYTIC TYPES, 10% ON OTHER TYPES.
2. ALL RESISTORS ARE 1/4-WATT, 5%.
1. THIS DRAWING USED IN CONJUNCTION WITH ASSEMBLY WP-000311-00.
- NOTES: UNLESS OTHERWISE SPECIFIED
9. Q601 & Q602 ARE NOT LISTED IN THE BILL OF MATERIALS. INSTALL JUMPER (WC-0.1020-JW) ACROSS SOURCE AND DRAIN OF TRANSISTORS.
8. COMPONENTS C534, C634, Q511, Q512, Q611, Q612, R63, R536, R537, R636, R637 ARE SPARES AND ARE NOT LISTED IN THE BILL OF MATERIALS.
7. PARTS MARKED WITH TRIANGLE Δ MUST BE REPLACED WITH EXACT TYPE ONLY.
6. ZENERS D507, 512, 513, 607, 57 AND D737, MARKED 7.5V, LOW LEAKAGE, QSC P/N QD-0007.5-ZT. ZENER D55, MARKED 6.2V, LOW LEAKAGE, QSC P/N QD-00024-QD.

QTY	ITEM NO.	PART NO.	DESCRIPTION	VENDOR
PARTS LIST				
UNLESS OTHERWISE SPECIFIED DIMENSIONS ARE IN INCHES. DIMENSIONS PER ANSI Y14.5-1982 TOLERANCES ARE:			QSC AUDIO PRODUCTS, INC. COSTA MESA, CALIFORNIA SCHEMATIC DIAGRAM MAIN PCB, PL 1.6HVX	
DECIMALS	DECIMALS	ANGLES		
.XX ±	.XXX ±	0		
DEBURR EDGES .XXX R MAX MATERIAL				
CONTRACT NO.			APPROVALS	
DRAWN			DATE	
CHECKED			A. ARANDA 2-4-97	
ISSUED				
CAD SEED FILE NO.			SCALE	
APPLICATION			DO NOT SCALE DRAWING	

SIZE	FSCM NO.	DWG NO.	REV
D		SH-000311-00	A

A 1 SH-000311-00

THIS DOCUMENT CONTAINS PROPRIETARY INFORMATION WHICH IS THE PROPERTY OF QSC AUDIO PRODUCTS. THAT MAY NOT BE DISCLOSED, REPRODUCED OR USED WITHOUT EXPRESS WRITTEN CONSENT FROM QSC AUDIO PRODUCTS.

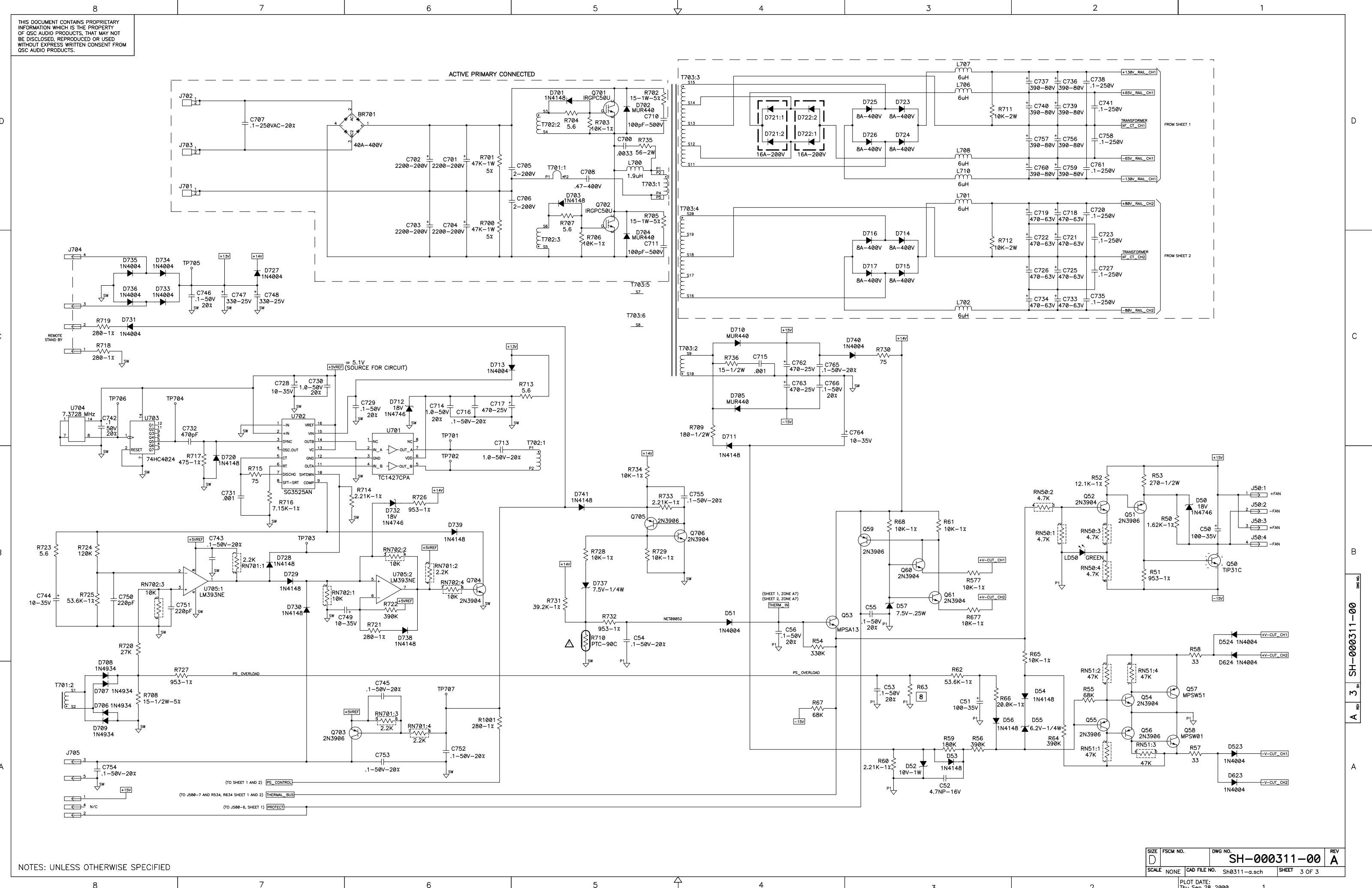


NOTES: UNLESS OTHERWISE SPECIFIED

SIZE	FSCM NO.	DWG NO.	REV
D		SH-000311-00	A
SCALE	NONE	CAD FILE NO.	SHEET
		Sh0311-a.sch	2 OF 3
PLOT DATE:		1	
Thu Sep 28, 2000			

THIS DOCUMENT CONTAINS PROPRIETARY INFORMATION WHICH IS THE PROPERTY OF QSC AUDIO PRODUCTS. THAT MAY NOT BE DISCLOSED, REPRODUCED OR USED WITHOUT EXPRESS WRITTEN CONSENT FROM QSC AUDIO PRODUCTS.

ACTIVE PRIMARY CONNECTED

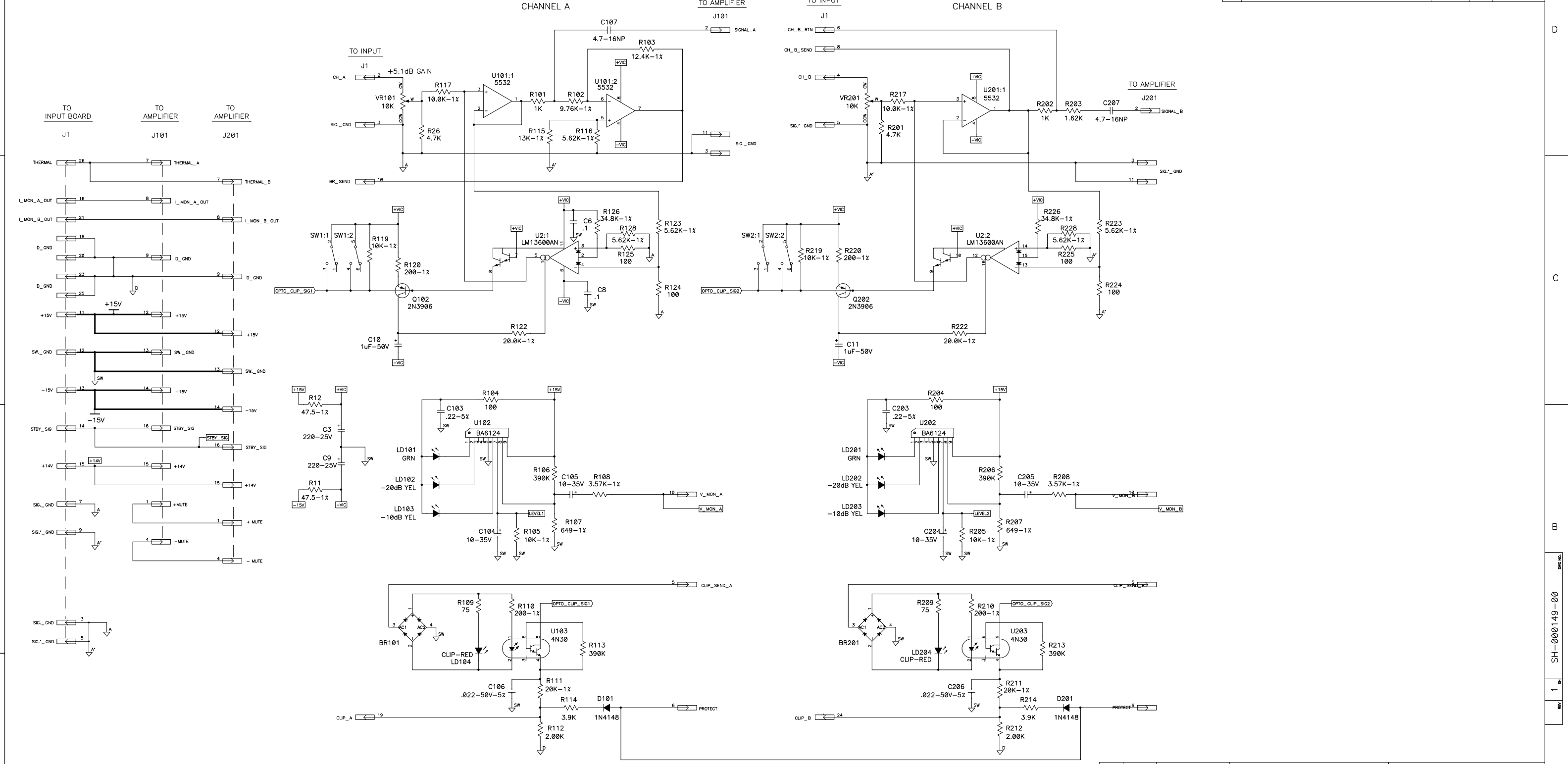


NOTES: UNLESS OTHERWISE SPECIFIED

SIZE	FSCM NO.	DWG NO.	REV
D		SH-000311-00	A
SCALE	NONE	CAD FILE NO.	SHEET
		Sh0311-a.sch	3 OF 3
PLOT DATE:		1	
Thu Sep 28, 2000			

THIS DOCUMENT CONTAINS PROPRIETARY INFORMATION WHICH IS THE PROPERTY OF QSC AUDIO PRODUCTS. THAT MAY NOT BE DISCLOSED, REPRODUCED OR USED WITHOUT EXPRESS WRITTEN CONSENT FROM QSC AUDIO PRODUCTS.

REVISION				
REV	DESCRIPTION	EFF. DATE	CHK	APPROVED / DATE



4. PARTS IN COMMON WITH BOTH CHANNELS NUMBERED 1-99.
 CH 1 COMPONENTS NUMBERED 101-199.
 CH 2 COMPONENTS NUMBERED 201-299.
 3. CAPACITORS ARE IN MICROFARADS, 25V MIN.
 2. RESISTORS ARE IN OHMS, 1/4W_400, 5%.
 1. THIS DRAWING USED IN CONJUNCTION WITH ASSEMBLY WP-000149-00 AND FABRICATION DRAWING PC-000149-00.
- NOTES: UNLESS OTHERWISE SPECIFIED

QTY	ITEM NO.	PART NO.	DESCRIPTION	VENDOR
PARTS LIST				
UNLESS OTHERWISE SPECIFIED DIMENSIONS ARE IN INCHES. DIMENSIONS PER ANSI Y14.5-1982 TOLERANCES ARE:			CONTRACT NO.	
DECIMALS	DECIMALS	ANGLES	APPROVALS	
.XX ±	.XXX ±	0	DATE	
DEBURR EDGES .XXX R MAX MATERIAL			DRAWN R. BECKER 3-12-96	
FINISH			CHECKED W. RULAND 8-21-96	
NEXT ASSY USED ON			ISSUED T. SHOOK 8-22-96	
APPLICATION			CAD SEED FILE NO. SH0149-B.SCH Thu May 04 2000	
DO NOT SCALE DRAWING			SCALE NONE	

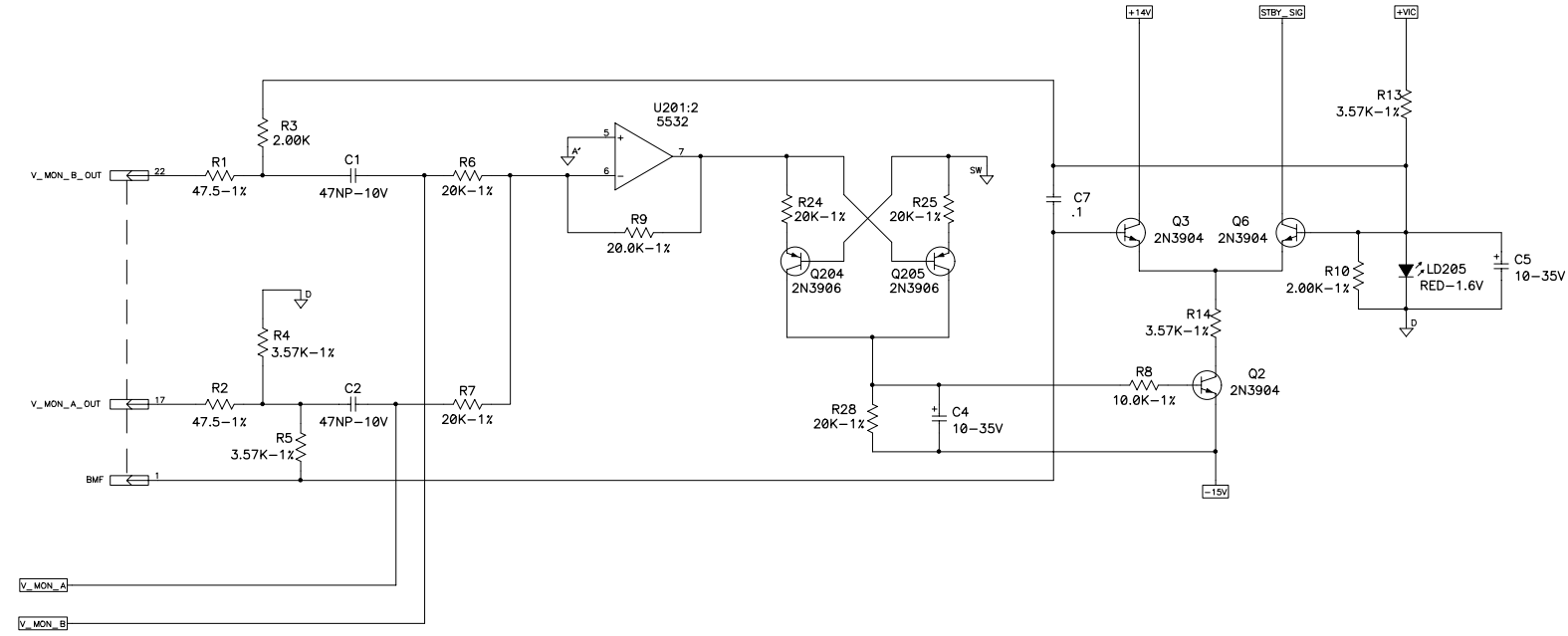
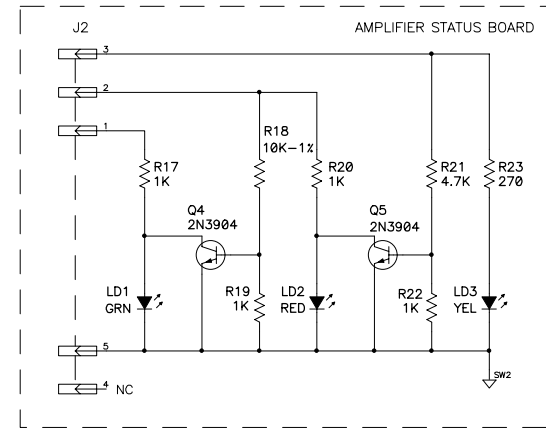
QSC AUDIO PRODUCTS, INC.
 COSTA MESA, CALIFORNIA

SCHEMATIC DIAGRAM
 DISPLAY, POWERLIGHT DP

DWG NO. SH-000149-00

SHEET 1 OF 2

THIS DOCUMENT CONTAINS PROPRIETARY INFORMATION WHICH IS THE PROPERTY OF QSC AUDIO PRODUCTS. THAT MAY NOT BE DISCLOSED, REPRODUCED OR USED WITHOUT EXPRESS WRITTEN CONSENT FROM QSC AUDIO PRODUCTS.

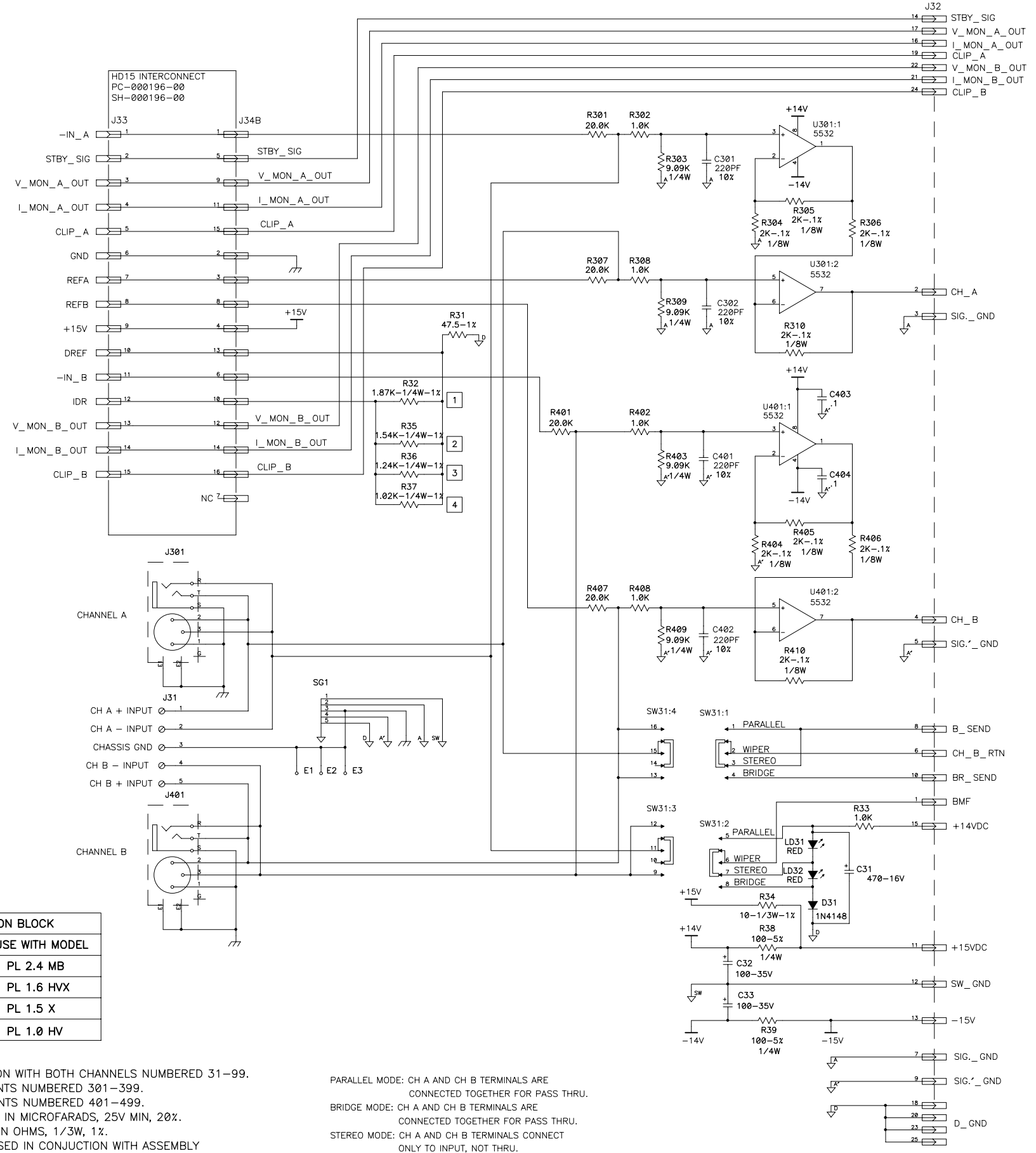


NOTES: UNLESS OTHERWISE SPECIFIED

SIZE D	FSCM NO.	DWG NO. SH-000149-00	REV
SCALE NONE	CAD FILE NO. sh0149-c.sch	SHEET 2	

THIS DOCUMENT CONTAINS PROPRIETARY INFORMATION WHICH IS THE PROPERTY OF QSC AUDIO PRODUCTS. THAT MAY NOT BE DISCLOSED, REPRODUCED OR USED WITHOUT EXPRESS WRITTEN CONSENT FROM QSC AUDIO PRODUCTS.

REVISION				
REV	DESCRIPTION	EFF. DATE	CHK	APPROVED / DATE



TABULATION BLOCK		
REF. NO.	USE WITH MODEL	
1	R32	PL 2.4 MB
2	R35	PL 1.6 HVX
3	R36	PL 1.5 X
4	R37	PL 1.0 HV

- 4. PARTS IN COMMON WITH BOTH CHANNELS NUMBERED 31-99.
CH A COMPONENTS NUMBERED 301-399.
CH B COMPONENTS NUMBERED 401-499.
 - 3. CAPACITORS ARE IN MICROFARADS, 25V MIN, 20%.
 - 2. RESISTORS ARE IN OHMS, 1/3W, 1%.
 - 1. THIS DRAWING USED IN CONJUNCTION WITH ASSEMBLY WP-000312-00 AND FABRICATION DRAWING PC-000148-00.
- NOTES: UNLESS OTHERWISE SPECIFIED

PARALLEL MODE: CH A AND CH B TERMINALS ARE CONNECTED TOGETHER FOR PASS THRU.
 BRIDGE MODE: CH A AND CH B TERMINALS ARE CONNECTED TOGETHER FOR PASS THRU.
 STEREO MODE: CH A AND CH B TERMINALS CONNECT ONLY TO INPUT, NOT THRU.

QTY	ITEM NO.	PART NO.	DESCRIPTION	VENDOR
PARTS LIST				
WP-000310-02	PL 1.6 HVX (230V)			
WP-000310-00	PL 1.6 HVX (120V)			
WP-000250-02	PL 1.5X (230V)			
WP-000250-00	PL 1.5X (120V)			
WP-000210-02	PL 1.0HV (120V)			
WP-000210-00	PL 1.0HV (230V)			
WP-000200-02	PL 2.4MB (230V)			
WP-000200-00	PL 2.4MB (120V)			
NEXT ASSY	USED ON			
APPLICATION		DO NOT SCALE DRAWING		

UNLESS OTHERWISE SPECIFIED DIMENSIONS ARE IN INCHES. DIMENSIONS PER ANSI Y14.5-1982 TOLERANCES ARE: DECIMALS DECIMALS ANGLES .xx ± .xxx ± 0		CONTRACT NO.	
DEBURR EDGES .XXX R MAX MATERIAL		APPROVALS DATE	
FINISH		DRAWN A. ARANDA 2-4-97	
T. SHOOK 11-7-97		CHECKED W. RULAND 10-30-97	
SIZE FSCM NO.	DWG NO.	REV	
D	SH-000312-00	B	
CAD SEED FILE NO. SH0148-A.SCH	SCALE NONE	CAD FILE NO. sh0312-B.sch	SHEET 1 OF 1

QSC AUDIO PRODUCTS, INC.
COSTA MESA, CALIFORNIA

SCHEMATIC DIAGRAM
INPUT, PL DERIVATIVE

SCALE NONE CAD FILE NO. sh0312-B.sch SHEET 1 OF 1

PLOT DATE: Thu Sep 28, 2000