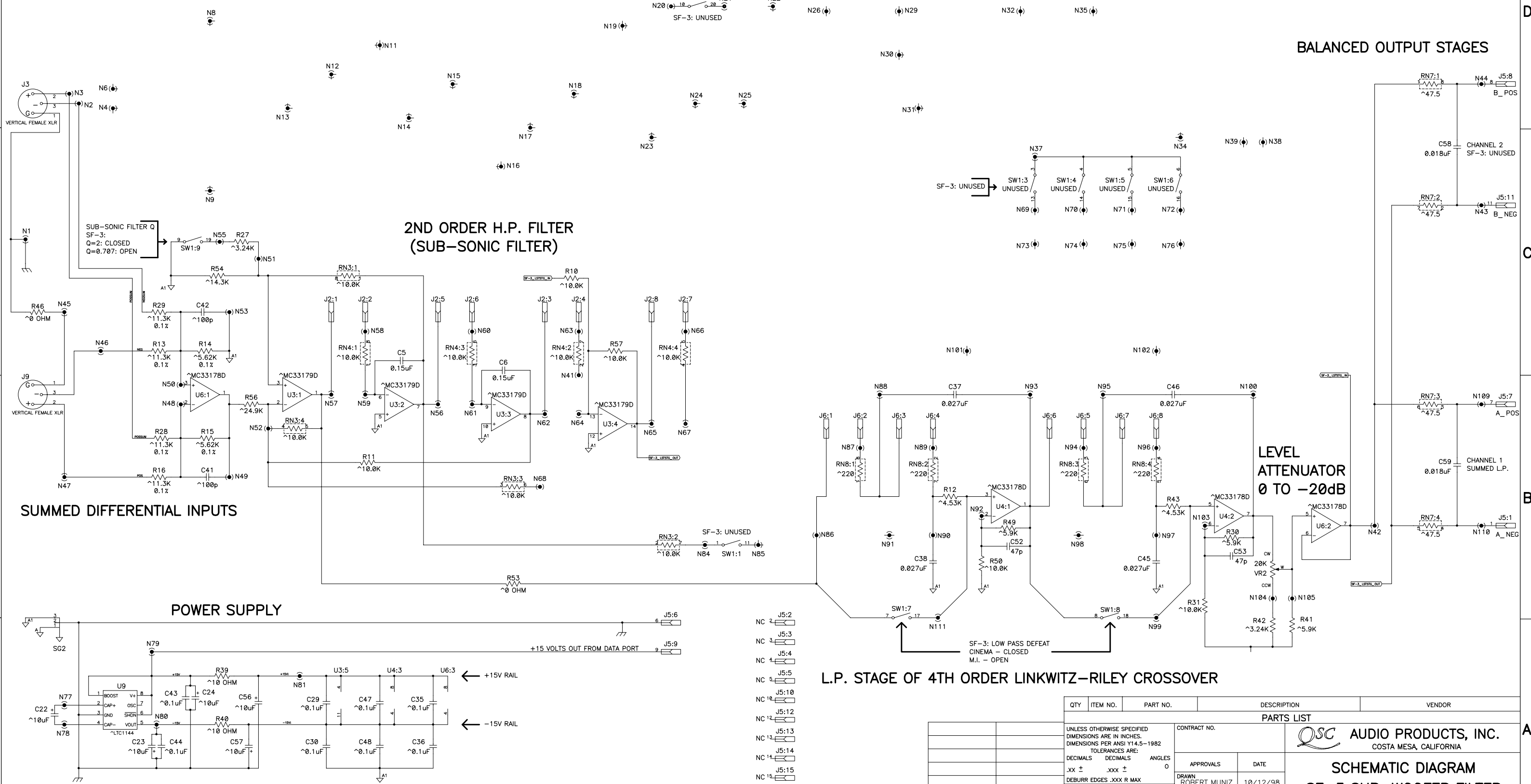


THIS DOCUMENT CONTAINS PROPRIETARY INFORMATION WHICH IS THE PROPERTY OF QSC AUDIO PRODUCTS, THAT MAY NOT BE DISCLOSED, REPRODUCED OR USED WITHOUT EXPRESS WRITTEN CONSENT FROM QSC AUDIO PRODUCTS.

REVISION			
REV	DESCRIPTION	EFF. DATE	APPROVED / DATE



2. THIS DRAWING USED IN CONJUNCTION WITH ASSEMBLY WP-000095-00.
 1. ALL RESISTORS ARE 1%, 100V, 0805 AND ALL CAPACITORS ARE 5%, 50V.
 NOTES: UNLESS OTHERWISE SPECIFIED:

QTY	ITEM NO.	PART NO.	DESCRIPTION	VENDOR
PARTS LIST				
UNLESS OTHERWISE SPECIFIED DIMENSIONS ARE IN INCHES. DIMENSIONS PER ANSI Y14.5-1982 TOLERANCES ARE:			CONTRACT NO.	
DECIMALS	DECIMALS	ANGLES	APPROVALS	
.XX ±	.XXX ±	0	DATE	
DRAWN ROBERT MUNIZ			10/12/98	
CHECKED W. Ruland			1-7-99	
ISSUED				
CAD SEED FILE NO.				
APPLICATION			DO NOT SCALE DRAWING	

QSC AUDIO PRODUCTS, INC. COSTA MESA, CALIFORNIA	
SCHEMATIC DIAGRAM SF-3 SUB-WOOFER FILTER	
SIZE D	FSCM NO.
DWG NO. SH-000095-00	REV
CAD FILE NO. SF3SCH.sch	SHEET 1 OF 1

1 SH-000095-00