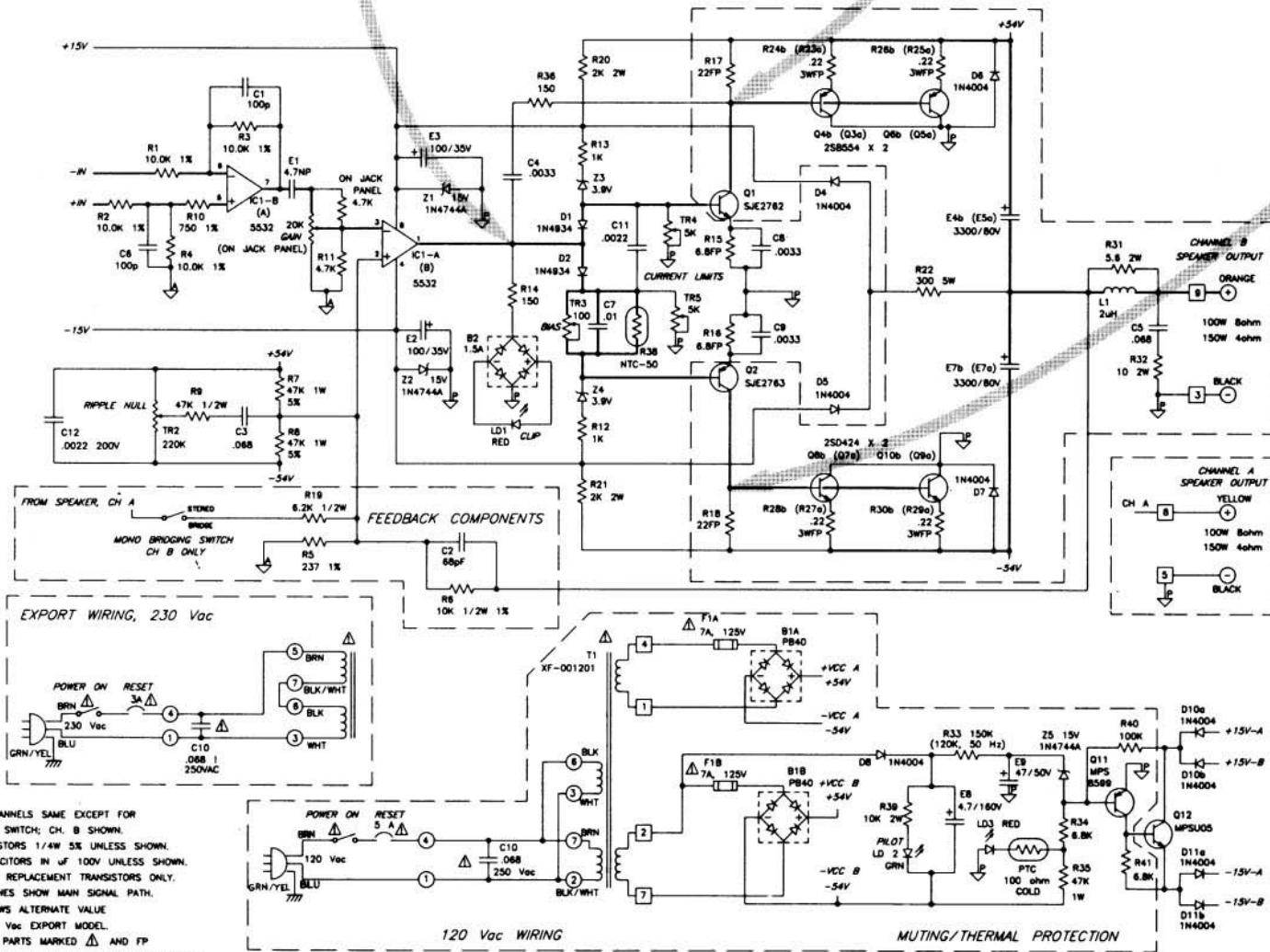
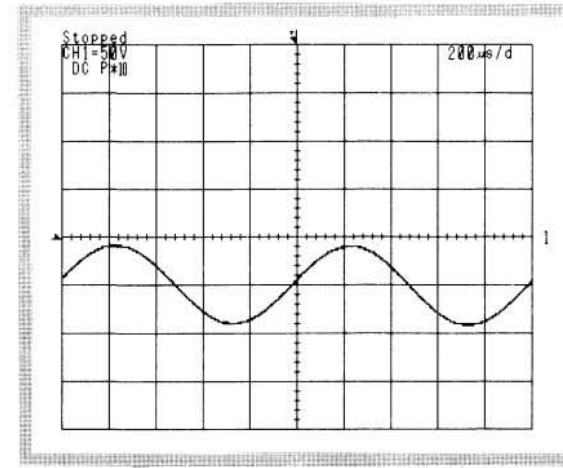
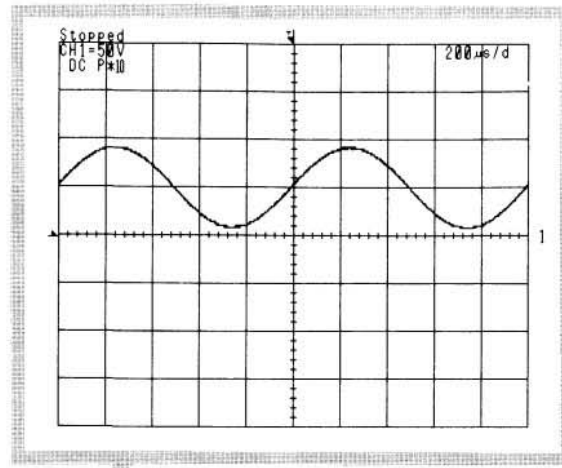
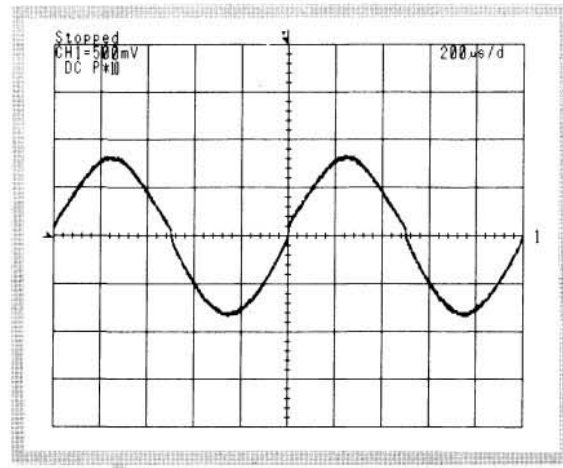


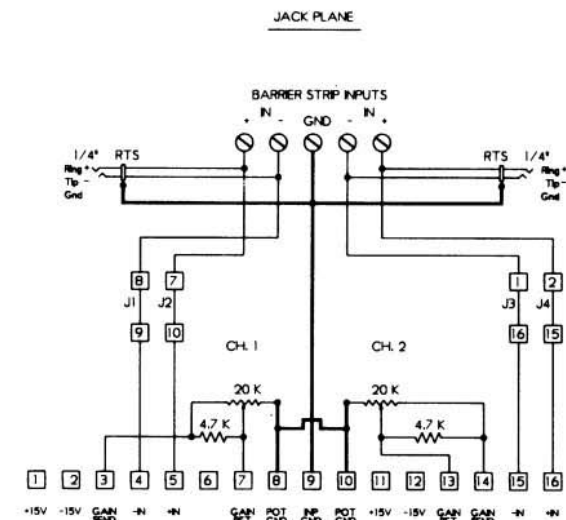
THIS DOCUMENT CONTAINS PROPRIETARY INFORMATION WHICH IS THE PROPERTY OF QSC AUDIO PRODUCTS, THAT MAY NOT BE DISCLOSED, REPRODUCED OR USED WITHOUT EXPRESS WRITTEN CONSENT FROM QSC AUDIO PRODUCTS



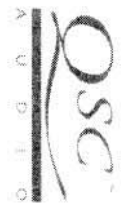
NOTES

- BOTH CHANNELS SAME EXCEPT FOR BRIDGING SWITCH; CH. B SHOWN.
- ALL RESISTORS 1/4W 5% UNLESS SHOWN.
- ALL CAPACITORS IN µF 100V UNLESS SHOWN.
- USE QSC REPLACEMENT TRANSISTORS ONLY.
- HEAVY LINES SHOW MAIN SIGNAL PATH.
- R33 SHOWS ALTERNATE VALUE FOR 230 Vac EXPORT MODEL.
- REPLACE PARTS MARKED Δ AND FP WITH SAME TYPE ONLY FOR CONTINUED SAFETY.
- ALL RESISTORS MARKED "FP" ARE OF FLAMEPROOF CONSTRUCTION AND MINIMUM OF 1/2W.
- CHANNEL "B" SHOWN, CHANNEL "A" IN PARENTHESES. (I.E. IC1-A PINOUTS 1,2,3 BECOME 7,8,5 ON CHANNEL A AND IC1-B PINOUTS 7,8,5 BECOME 1,2,3 ON CHANNEL A).

LAST USED	NOT USED
B2	D3, 8
C12	E4c, 5b, 6a, 8b
D11	
E8	
F1	
IC1	
LD3	Q3b, 4a, 5b, 6a, 7b, 8a, 9b, 10a
Q12	R23b, 24a, 25b, 26a, 27b, 28a, 29b, 30a, 37
R41	TR1
TR5	
Z5	



USA370 Schematic



USA Amplifier Series