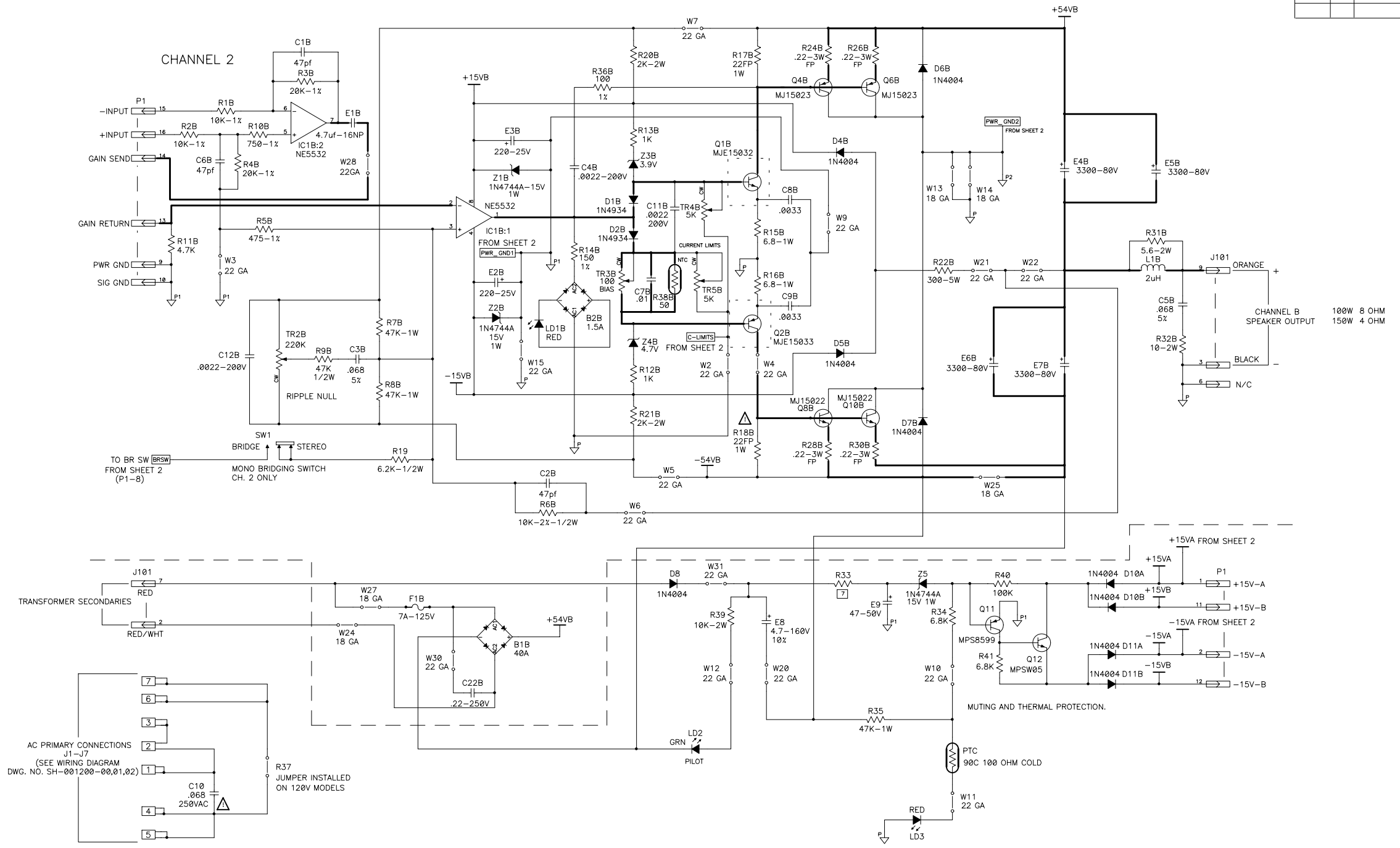


THIS DOCUMENT CONTAINS PROPRIETARY INFORMATION WHICH IS THE PROPERTY OF QSC AUDIO PRODUCTS. THAT MAY NOT BE DISCLOSED, REPRODUCED OR USED WITHOUT EXPRESS WRITTEN CONSENT FROM QSC AUDIO PRODUCTS.

REVISIONS				
ZONE	REV	DESCRIPTION	DATE	APPROVED



OBsolete

- 7 FOR COMPONENT VALUE, REFER TO TABULATION BLOCK
6. ALL RESISTORS MARKED *FP* ARE FLAMEPROOF CONSTRUCTION AND MINIMUM OF 1/2W.
5. REPLACE PARTS MARKED Δ AND FP WITH SAME TYPE ONLY FOR CONTINUED SAFETY.
4. HEAVY LINE SHOWS MAIN SIGNAL PATH.
3. USE QSC REPLACEMENT TRANSISTORS ONLY.
2. ALL CAPACITORS IN μ F, 100V, 10% TOLERANCE NON-ELECTROLYTIC AND 20% ELECTROLYTIC.
1. ALL RESISTOR VALUES ARE IN OHMS 5%, 1/4W,

NOTES: UNLESS OTHERWISE SPECIFIED

SW1	SW2
TR5	TR1
W31	
R43	R25,27,29,31,37,42
Q12	Q5,7,9,11
LD3	
U1	
F1	
D16	D3,9
C21	
B2	
LAST USED	NOT USED
REFERENCE DESIGNATION	
BOTH A & B CHANNEL	

TABULATION BLOCK 7	
MODEL (V)	R33
1200(230 SEMKO)	120K
1200(230 EXP)	120K
1200(120 DOM)	180K

9 PIN PCB CONNECTOR (P1)
 QUICK DISCONNECT TERMINALS (J1-J7)
 JACK PLANE 16 PIN HEADER CONNECTION (P2)

QTY	ITEM NO.	PART NO.	DESCRIPTION	VENDOR
PARTS LIST				
UNLESS OTHERWISE SPECIFIED DIMENSIONS ARE IN INCHES. DIMENSIONS PER ANSI Y14.5-1982 TOLERANCES ARE:			CONTRACT NO.	
DECIMALS	DECIMALS	ANGLES	APPROVALS	DATE
.XX ±	.XXX ±	0		10-14-85
DEBURR EDGES .XXX R MAX MATERIAL			DRAWN T.W.D. CHECKED	
FINISH			ISSUED SGM NONE	
NEXT ASSY USED ON			CAD SEED FILE NO.	
APPLICATION			SCALE NONE	
DO NOT SCALE DRAWING			Tue Aug 27, 2002	

QSC AUDIO PRODUCTS, INC.
 COSTA MESA, CALIFORNIA

SCHEMATIC DIAGRAM
MAIN BOARD, USA400 AMP

SIZE: D FSCM NO. DWG NO. **SH-120301-GX** REV **S1**

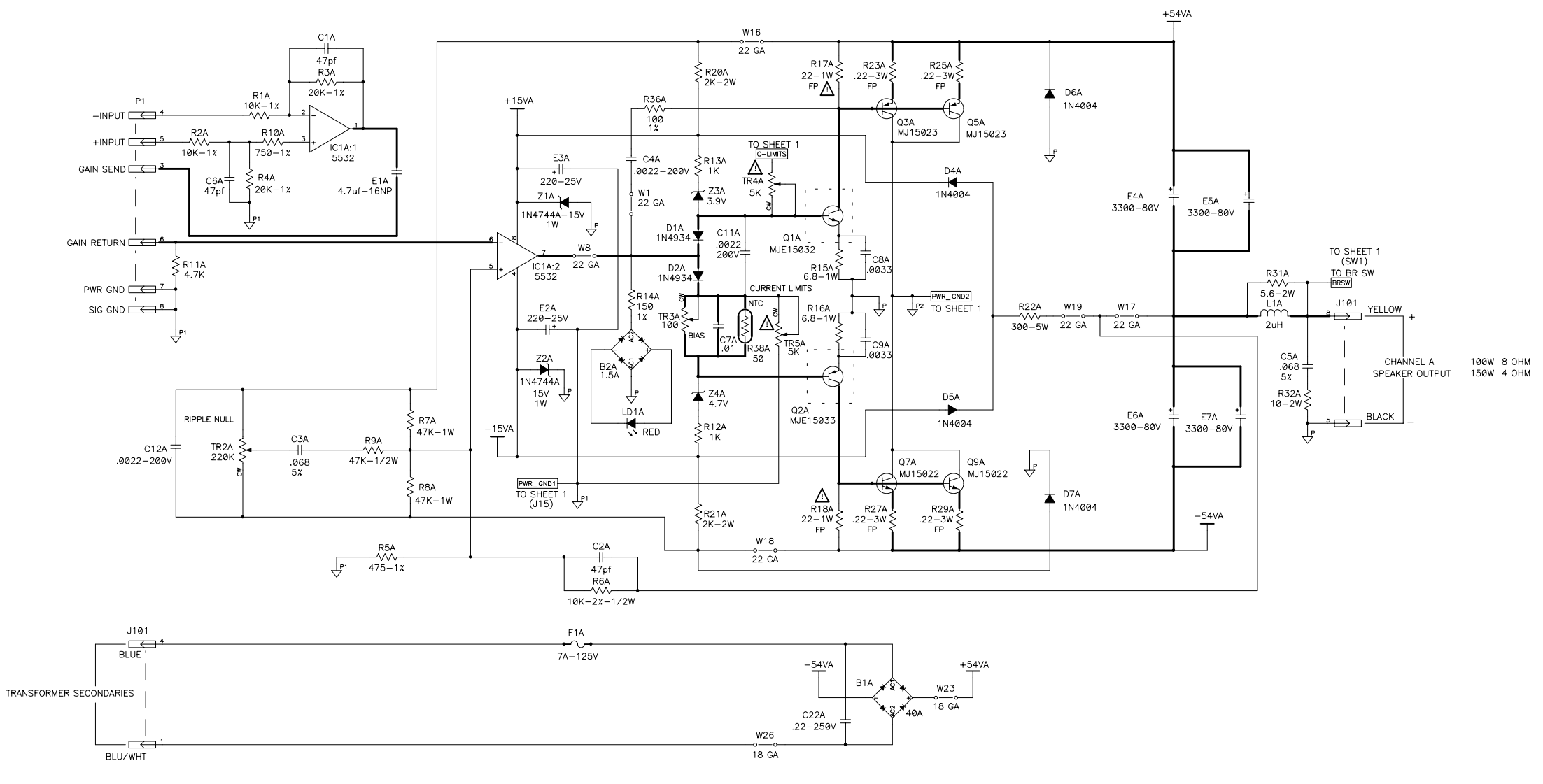
SCALE: NONE CAD FILE NO. USA400SCH SHEET 1 OF 2

SH-120301-GX

THIS DOCUMENT CONTAINS PROPRIETARY INFORMATION WHICH IS THE PROPERTY OF QSC AUDIO PRODUCTS. THAT MAY NOT BE DISCLOSED, REPRODUCED OR USED WITHOUT EXPRESS WRITTEN CONSENT FROM QSC AUDIO PRODUCTS.

SCHEMATIC, MAIN BOARD, 1200 AMP

CHANNEL 1



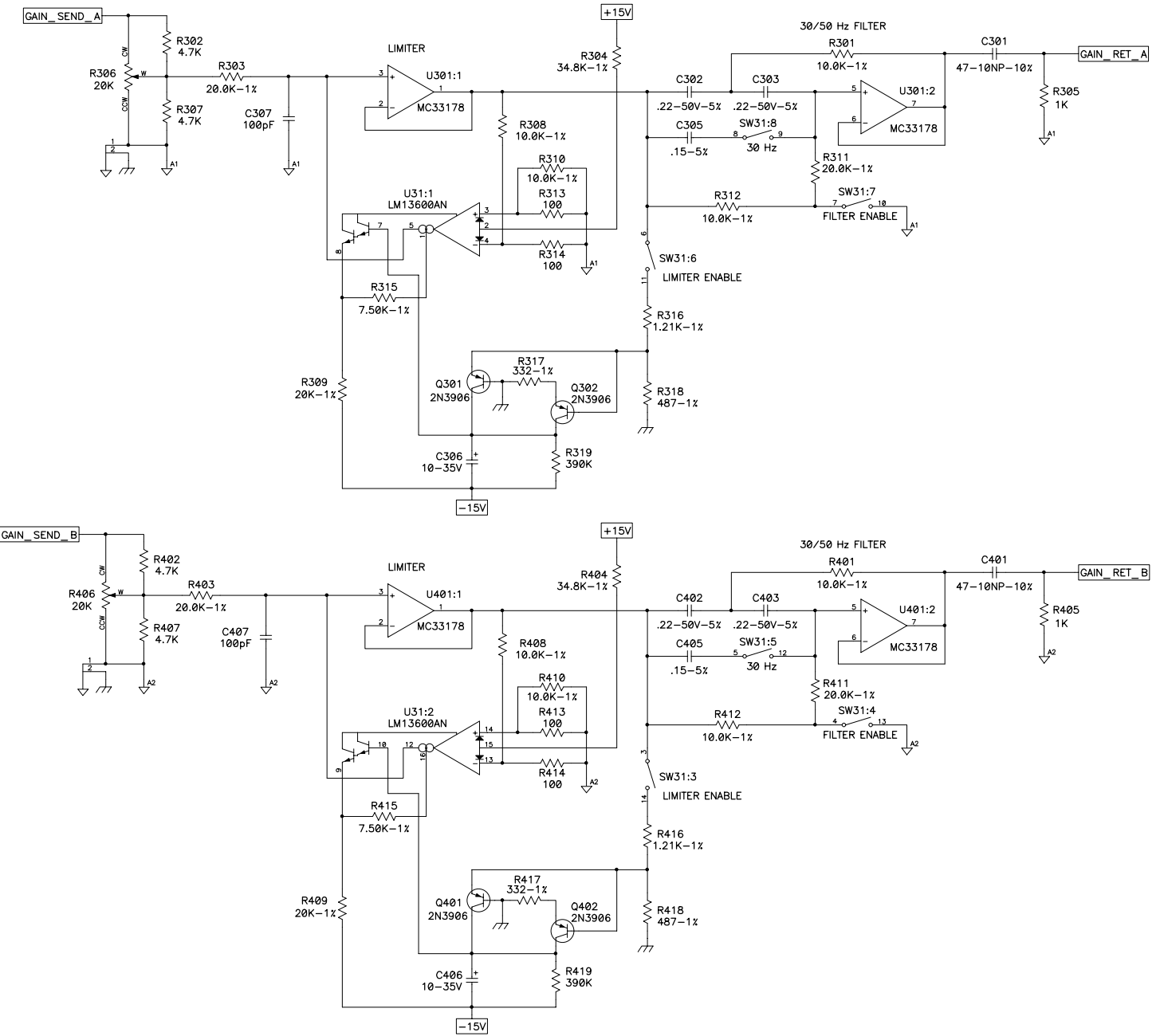
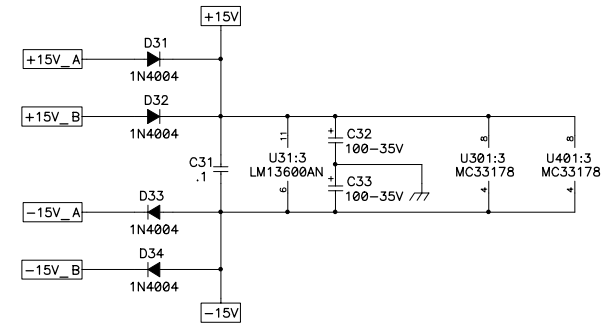
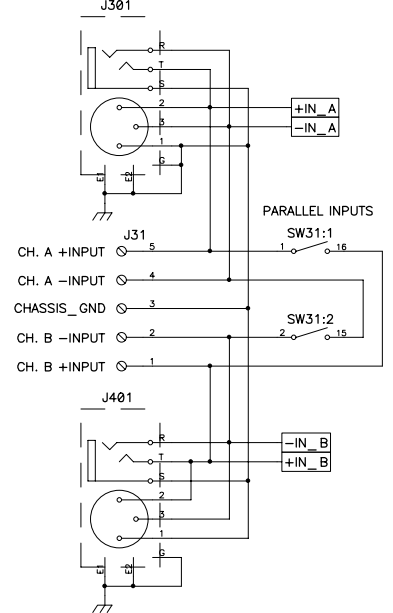
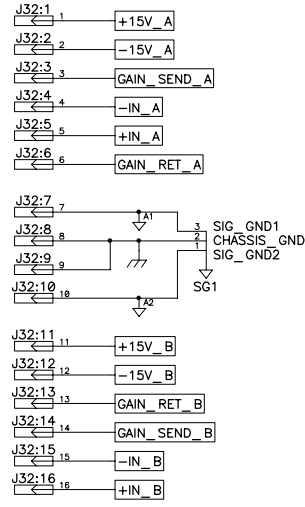
NOTES: UNLESS OTHERWISE SPECIFIED

SIZE	FSCM NO.	DWG NO.	REV
D		SH-120301-GX	S
SCALE	NONE	CAD FILE NO. SH1200R1.SCH	SHEET 2 OF 2

SH-120301-GX 2

REVISIONS				
REV	DESCRIPTION	EFF. DATE	CHK	APPROVED/DATE

THIS DOCUMENT CONTAINS PROPRIETARY INFORMATION WHICH IS THE PROPERTY OF QSC AUDIO PRODUCTS, THAT MAY NOT BE DISCLOSED, REPRODUCED OR USED WITHOUT EXPRESS WRITTEN CONSENT FROM QSC AUDIO PRODUCTS.



OBSOLETE

- 6. PARTS IN COMMON TO BOTH CHANNELS NUMBERED 31-49.
- 5. CH 2 COMPONENTS NUMBERED 401-499.
- 4. CH 1 COMPONENTS NUMBERED 301-399.
- 3. ALL CAPACITORS IN μF , 100V .
- 2. ALL RESISTOR VALUES ARE IN OHMS, $1/4\text{W}$, $\pm 5\%$.
- 1. THIS DRAWING USED IN CONJUNCTION WITH PCB ASSEMBLY WP-001325-00 AND FABRICATION DRAWING PC-001325-00.

NOTES: UNLESS OTHERWISE SPECIFIED

PARTS LIST		CONTRACT NO.		APPROVALS		DATE	

QSC AUDIO PRODUCTS, INC.
COSTA MESA, CALIFORNIA

SCHEMATIC DIAGRAM
USA 2 JACKPLANE

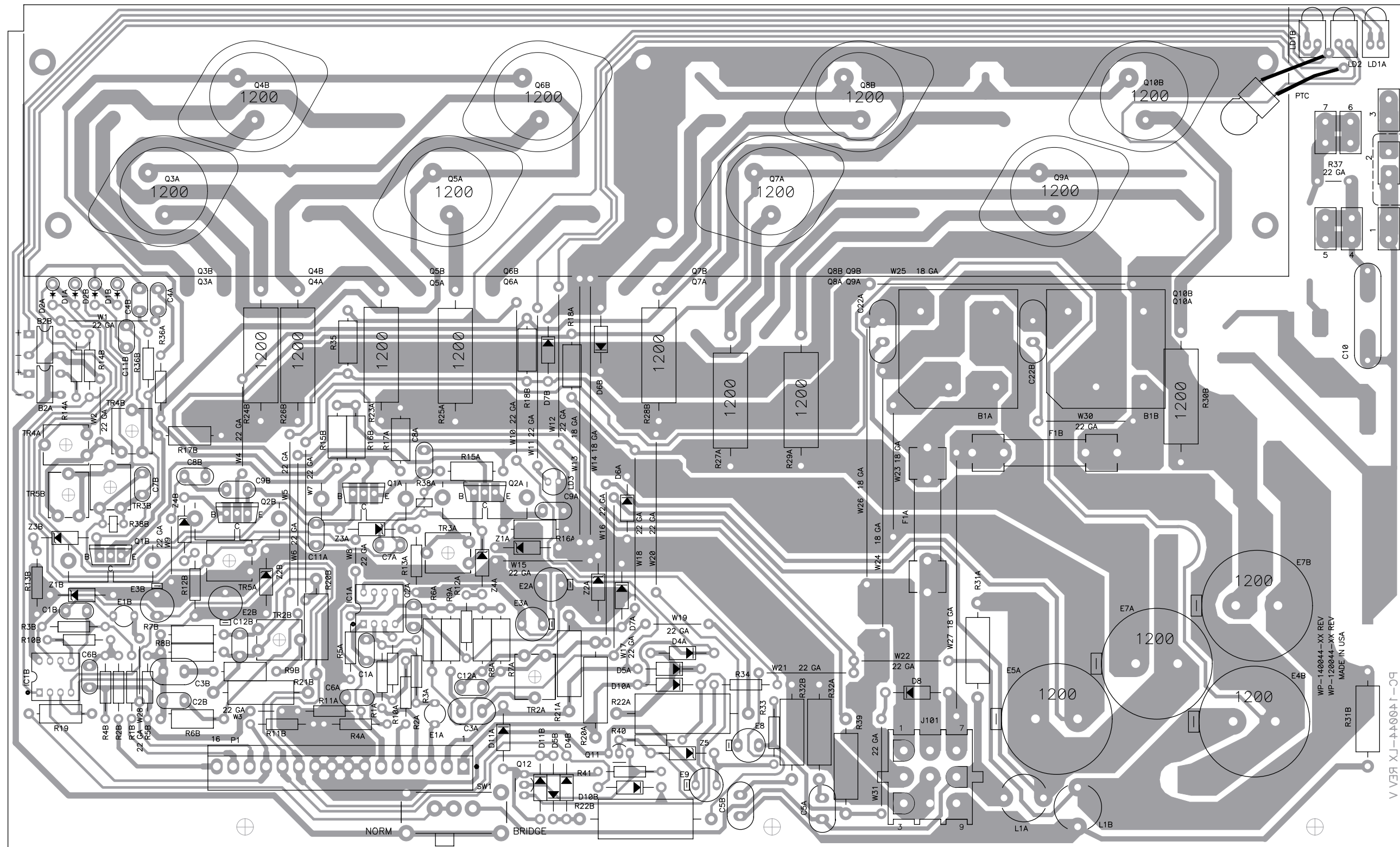
SIZE: D FSCM NO. DWG NO. **SH-001325-00** REV **C1**

SCALE: NONE CAD FILE NO. USA_INPUT.sch SHEET 1 OF 1

C1 1 SH-001325-00 DWG

A

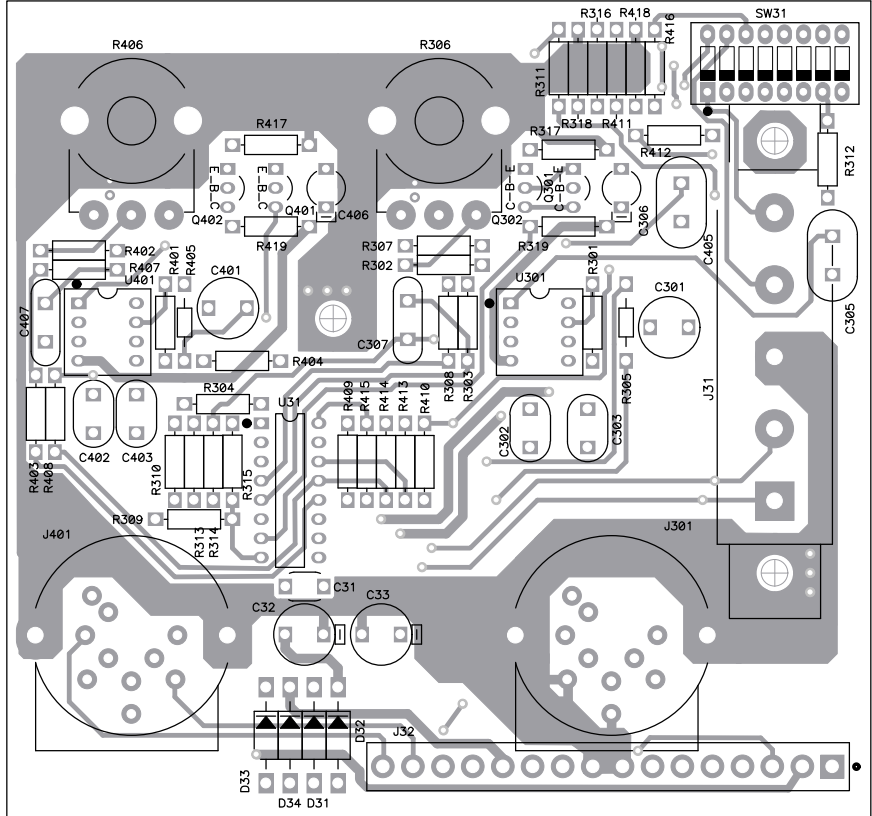
PLOT DATE: Tue Aug 27, 1982



PC-140944-TX REV A
WP-140944-XX REV
WP-120944-XX REV
MADE IN USA

USA 2 JACK-PLANE PCB

TOP SIDE



BOTTOM SIDE

