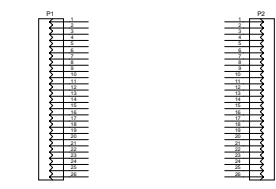
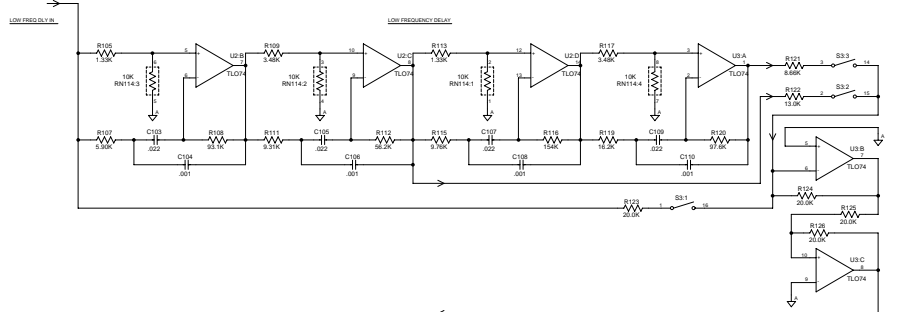
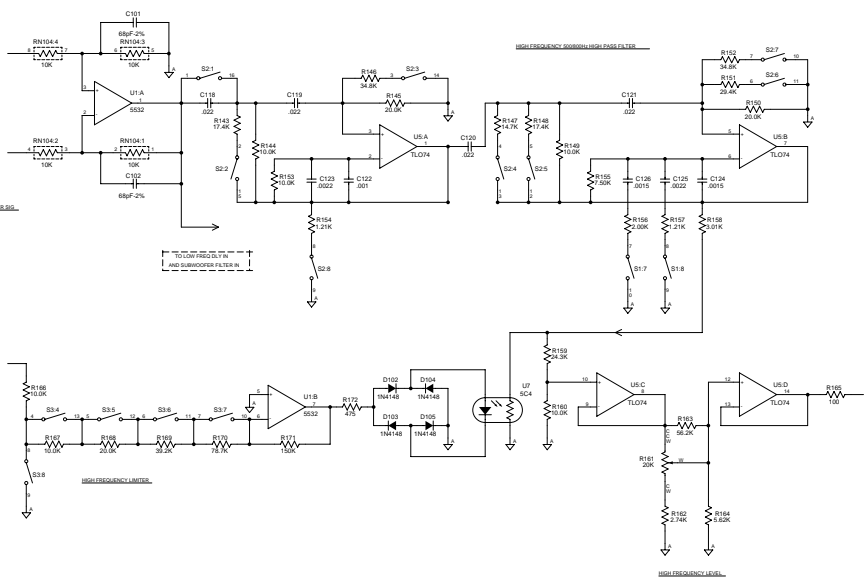


THIS DOCUMENT CONTAINS PROPRIETARY INFORMATION WHICH IS THE PROPERTY OF QSC AUDIO PRODUCTS. THAT MAY NOT BE DISCLOSED, REPRODUCED OR USED WITHOUT EXPRESS WRITTEN CONSENT FROM QSC AUDIO PRODUCTS.

REVISIONS				
ZONE	REV	DESCRIPTION	DATE	APPROVED
	A	PRO RELEASE PER ECO 1703 WR	2-24-93	SGM
	B	REVISED PER ECO 1793 WR	3-17-93	SGM
	B1	REVISED PER ECO 2049 MP	10-27-93	SGM
	C	PUT SCHEMATIC IN TANGO RAB	7-1-94	RAB



REFERENCE DESIGNATION	
HIGHEST NO. USED	
DESCRIPTION	REF. DES.
CAPACITOR	C109
DIODE	D101
CONNECTOR	P2
RESISTOR	R110
RES NETWORK	RN114
IC	U7
SWITCH	S3

2. ALL RESISTORS IN OHMS, 1/4 WATT, 1%.
 1. ALL CAPACITORS IN uF, 50V.
 NOTES: UNLESS OTHERWISE SPECIFIED

QTY	ITEM NO.	PART NO.	DESCRIPTION	VENDOR
PARTS LIST				
UNLESS OTHERWISE SPECIFIED, DIMENSIONS ARE IN INCHES. DIMENSIONS PER ASST 114.5-192 TOLERANCES ARE:			CONTRACT NO.	
DECIMALS	DECIMALS	ANGLES	APPROVALS	DATE
XX .	XXX .	XXX °	ROBERT BECKER	7/1/94
MATERIAL			CHECKED	
APPLICATION			CAD FILE NO.	
WP-004020-00	XC-2	FINISH	ISSUED	
NEXT ASSY	USED ON	DO NOT SCALE DRAWING	CAD FILE NO.	

QSC AUDIO PRODUCTS, INC.
 COSTA MESA, CALIFORNIA

**SCHEMATIC, XC2
 CINEMA CROSSOVER**

SIZE	FORM NO.	DWG NO.	REV
D		SH-004020-00	C
SCALE	NONE	CAD FILE NO.	SHEET 1 OF 1