

- 5. J104, J204 ARE CONNECTED PIN TO PIN BY 13-LINE RIBBON CABLE.
- 4. PART NUMBERING SCHEME  
PARTS IN COMMON TO BOTH CH: 1-99. CH 1 PARTS 101-199, CH 2 PARTS 201-299.
- 3. COMPONENTS MARKED WITH  $\Delta$  ARE SAFETY CRITICAL PARTS.
- 2. COMPONENTS WITH VALUE PREFIXED WITH A "\*" REPRESENT SMT COMPONENTS.
- 1. THIS DRAWING USED IN CONJUNCTION WITH ASSEMBLY WP-000851-00

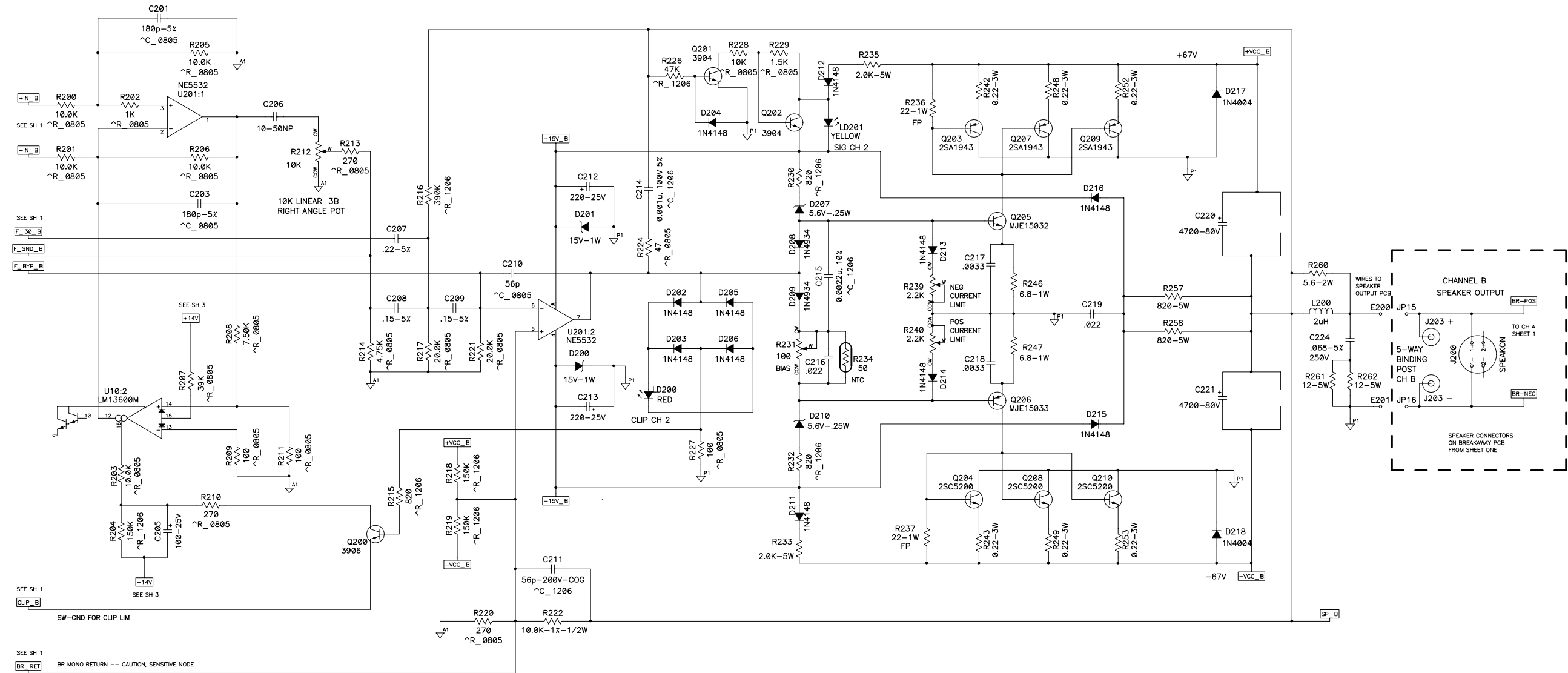
NOTES: UNLESS OTHERWISE SPECIFIED

QTY	ITEM NO.	PART NO.	DESCRIPTION	VENDOR
<b>PARTS LIST</b>				
UNLESS OTHERWISE SPECIFIED DIMENSIONS ARE IN INCHES. DIMENSIONS PER ANSI Y14.5-1982 TOLERANCES ARE: DECIMALS    DECIMALS    ANGLES .xx ±    .xxx ±    0			CONTRACT NO.	
DRAWN PAT QUILTER			APPROVALS	DATE
CHECKED			2-25-00	
MATERIAL			FINISH	
WP-000850-00	RMX 850	FINISH	ISSUED	SIZE
NEXT ASSY	USED ON	DO NOT SCALE DRAWING	CAD SEED FILE NO.	FSCM NO.
APPLICATION		SCALE NONE		
PLOT DATE: Fri May 05, 2000		DWG NO. SH-000850-00		
P: \RMX\QSC\RMX850		SHEET 1 OF 3		
PLOT DATE: Fri May 05, 2000		REV		

1 SH-000850-00

THIS DOCUMENT CONTAINS PROPRIETARY INFORMATION WHICH IS THE PROPERTY OF QSC AUDIO PRODUCTS. THAT MAY NOT BE DISCLOSED, REPRODUCED OR USED WITHOUT EXPRESS WRITTEN CONSENT FROM QSC AUDIO PRODUCTS.

### CHANNEL-2



SEE SH 1  
BR\_MONO\_RETURN --- CAUTION, SENSITIVE NODE

NOTES: UNLESS OTHERWISE SPECIFIED

SIZE	FSCM NO.	DWG NO.	REV
D		SH-000850-00	
SCALE	NONE	CAD FILE NO. SH0850R3.sch	SHEET 2 OF 3
PLOT DATE:		Fri May 05, 2000	

2 SH-000850-00

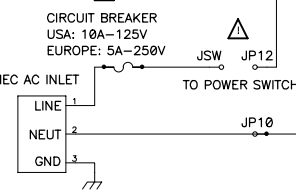
THIS DOCUMENT CONTAINS PROPRIETARY INFORMATION WHICH IS THE PROPERTY OF QSC AUDIO PRODUCTS. THAT MAY NOT BE DISCLOSED, REPRODUCED OR USED WITHOUT EXPRESS WRITTEN CONSENT FROM QSC AUDIO PRODUCTS.

AC VOLTAGE PROGRAMMING TERMINALS

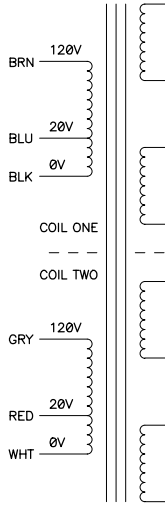
AC INPUT, HIGH (ALL)

100V	120V	240V
BRN	BRN	BRN
GRY	GRY	-
BLK	BLU	BLU
-	-	BLK
-	-	GRY
WHT	RED	RED
BLU	BLK	-
RED	WHT	WHT

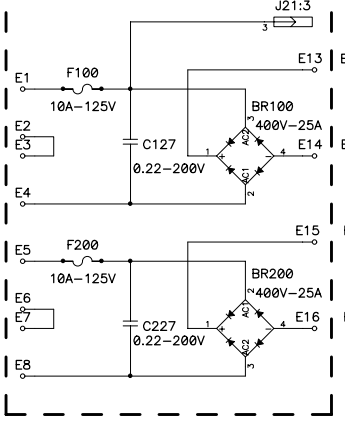
AC INPUT, LOW (ALL)



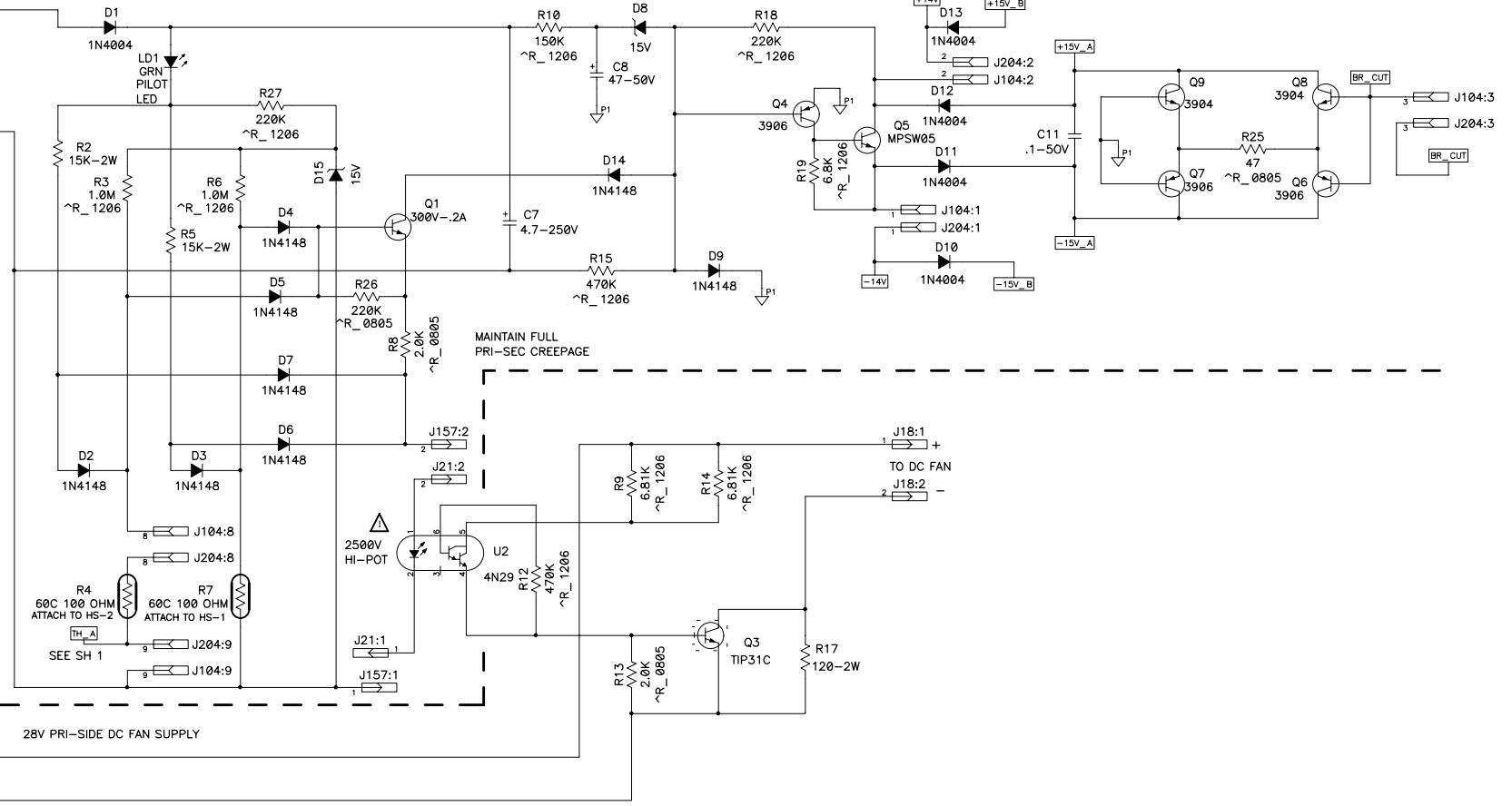
U-I CORE POWER TRANSFORMER  
NOTE SPLIT SECONDARY WIRING FROM EACH LEG TO EACH CHANNEL



RECTIFIERS BR100, 200 AND C127-227 ARE LOCATED OFF THE MAIN PCB, MOUNTED TO CHASSIS.



MUTING AND THERMAL PROTECTION.



MAINTAIN FULL PRI-SEC CREEPAGE

MAINTAIN FULL PRI-SEC CREEPAGE

28V PRI-SIDE DC FAN SUPPLY

20 VAC TO FAN POWER RECTIFIER

NOTES: UNLESS OTHERWISE SPECIFIED

3 SH-000850-00