


THIS DOCUMENT CONTAINS PROPRIETARY INFORMATION WHICH IS THE PROPERTY OF QSC AUDIO PRODUCTS, THAT MAY NOT BE DISCLOSED, REPRODUCED OR USED WITHOUT EXPRESS WRITTEN CONSENT FROM QSC AUDIO PRODUCTS.

2. COMPONENTS WITH VALUE PREFIXED WITH A "*" REPRESENT SMT COMPONENTS.
 1. THIS DRAWING USED IN CONJUNCTION WITH ASSEMBLY WP-001645-XX.
 NOTES: UNLESS OTHERWISE SPECIFIED

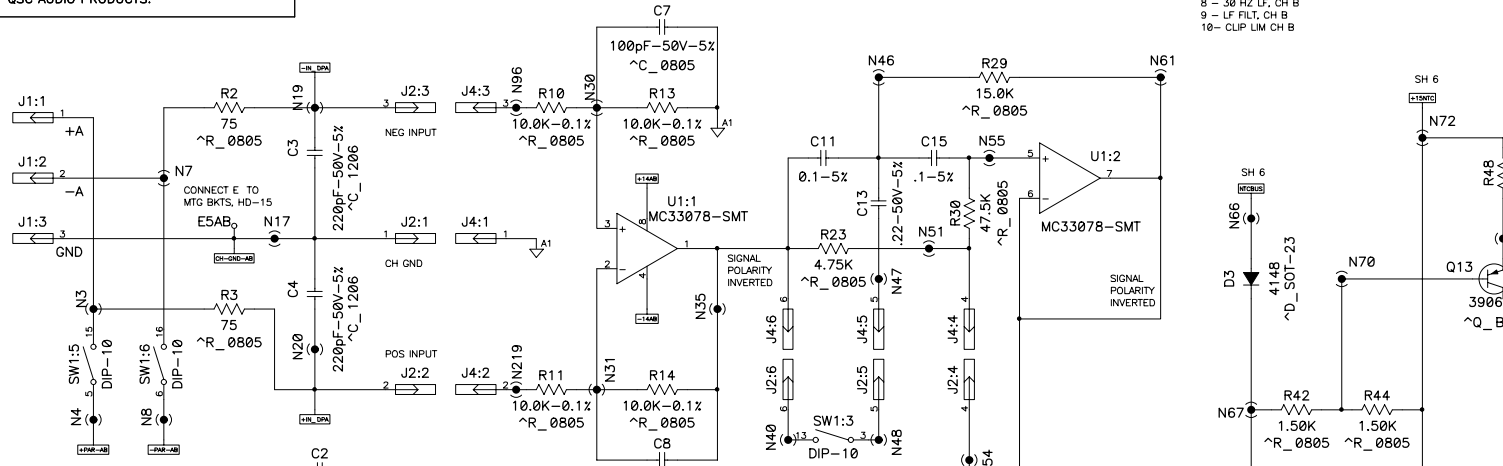
TABULATION BLOCK		
DASH NO.	F1	R321, 322, 326, 328
-00 (120V)	25A, 125V	487K
-01 (100V)	30A, 125V	392K
-02 (230V)	15A, 250V	487K

QTY	ITEM NO.	PART NO.	DESCRIPTION	VENDOR
PARTS LIST				
UNLESS OTHERWISE SPECIFIED DIMENSIONS ARE IN INCHES. DIMENSIONS PER ANSI Y14.5-1982 TOLERANCES ARE: DECIMALS DECIMALS ANGLES .XX ± .XXX ± ° DEBURR EDGES .XXX R MAX MATERIAL			CONTRACT NO.	
FINISH			 AUDIO PRODUCTS, INC. COSTA MESA, CALIFORNIA	
APPLICATION			SCHEMATIC DIAGRAM DCA 1644	
DO NOT SCALE DRAWING			APPROVALS DATE DRAWN PAT QUILTER 9-29-99 CHECKED W. RULAND 11-5-99 ISSUED T. SHOOK 11-9-99 CAD SEED FILE NO. PLOT DATE: Thu May 04, 2000	
NEXT ASSY USED ON			SIZE FSCM NO. DWG NO. REV D NONE SH-001645-00 1	
			SCALE NONE CAD FILE NO. SH1645-B.sch SHEET 1 OF 7 P:\TANGOPROV\PLC DERIVATIVES\PLC-4CH	

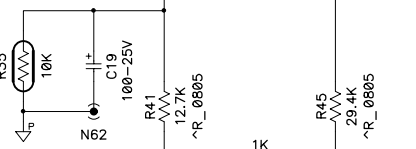
REV. 1 SH-001645-00 DWG NO.

THIS DOCUMENT CONTAINS PROPRIETARY INFORMATION WHICH IS THE PROPERTY OF QSC AUDIO PRODUCTS, THAT MAY NOT BE DISCLOSED, REPRODUCED OR USED WITHOUT EXPRESS WRITTEN CONSENT FROM QSC AUDIO PRODUCTS.

INPUT AND FILTER SECTION, CH A



THERMAL AND BIAS SENSING



INPUTS IN PARALLEL - SH 3

CONNECT E TO MTG BKTS, HD-15

PAR STATUS LED

BR MONO FEED, SH 3

PARALLEL INPUT SW. STATUS LED

CH GND

POS INPUT

NEG INPUT

SIGNAL POLARITY INVERTED

SIGNAL POLARITY INVERTED

SIGNAL POLARITY INVERTED

SIGNAL POLARITY INVERTED

SIGNAL POLARITY INVERTED

SIGNAL POLARITY INVERTED

SIGNAL POLARITY INVERTED

SIGNAL POLARITY INVERTED

SIGNAL POLARITY INVERTED

SIGNAL POLARITY INVERTED

SIGNAL POLARITY INVERTED

SIGNAL POLARITY INVERTED

SIGNAL POLARITY INVERTED

SIGNAL POLARITY INVERTED

SIGNAL POLARITY INVERTED

SIGNAL POLARITY INVERTED

SIGNAL POLARITY INVERTED

SIGNAL POLARITY INVERTED

SIGNAL POLARITY INVERTED

SIGNAL POLARITY INVERTED

SIGNAL POLARITY INVERTED

SIGNAL POLARITY INVERTED

SIGNAL POLARITY INVERTED

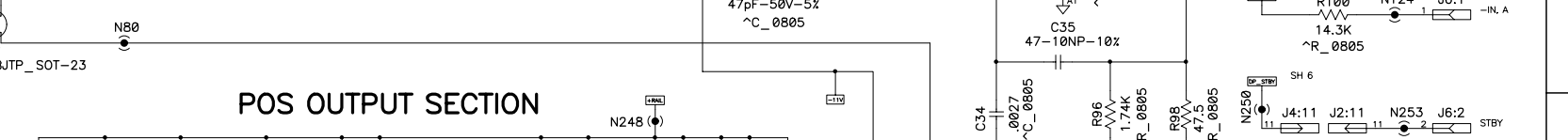
SIGNAL POLARITY INVERTED

SIGNAL POLARITY INVERTED

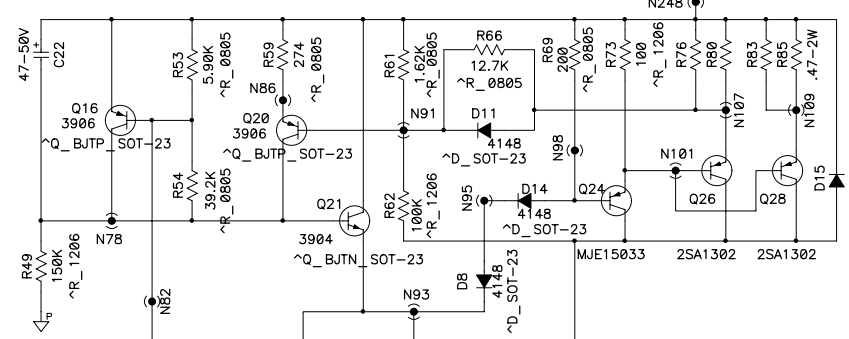
DIP SWITCH TABLE, 10-POS

- CLIP LIM, CH-A
- LF FILT, CH-A
- 30 HZ LF, CH-A
- PAR INPUT LED
- PAR INPUTS, +
- PAR INPUTS, -
- BR MONO
- 30 HZ LF, CH B
- LF FILT, CH B
- CLIP LIM CH B

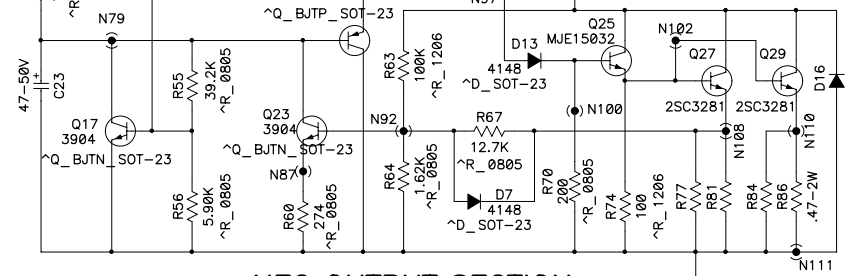
CH A V-MON, I-MON



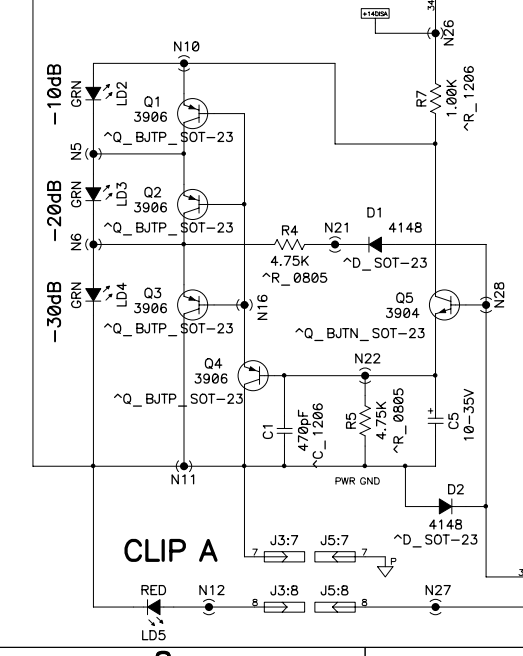
POS OUTPUT SECTION



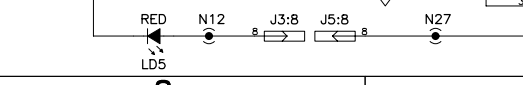
NEG OUTPUT SECTION



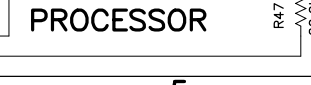
LED-SIGNAL DISPLAY



CLIP A



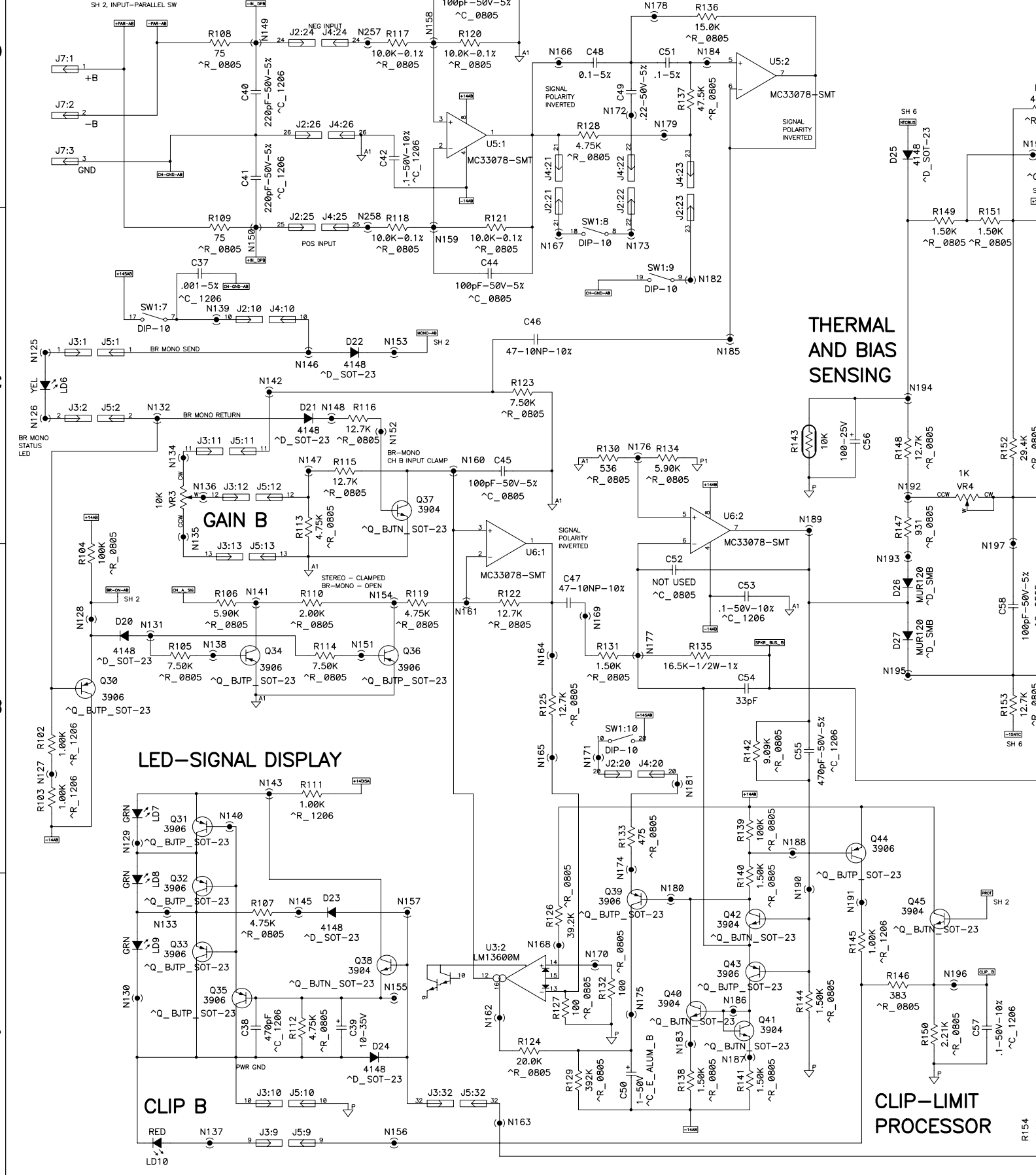
CLIP-LIMIT PROCESSOR



THIS DOCUMENT CONTAINS PROPRIETARY INFORMATION WHICH IS THE PROPERTY OF QSC AUDIO PRODUCTS. THAT MAY NOT BE DISCLOSED, REPRODUCED OR USED WITHOUT EXPRESS WRITTEN CONSENT FROM QSC AUDIO PRODUCTS.

INPUT AND FILTER SECTION, CH B

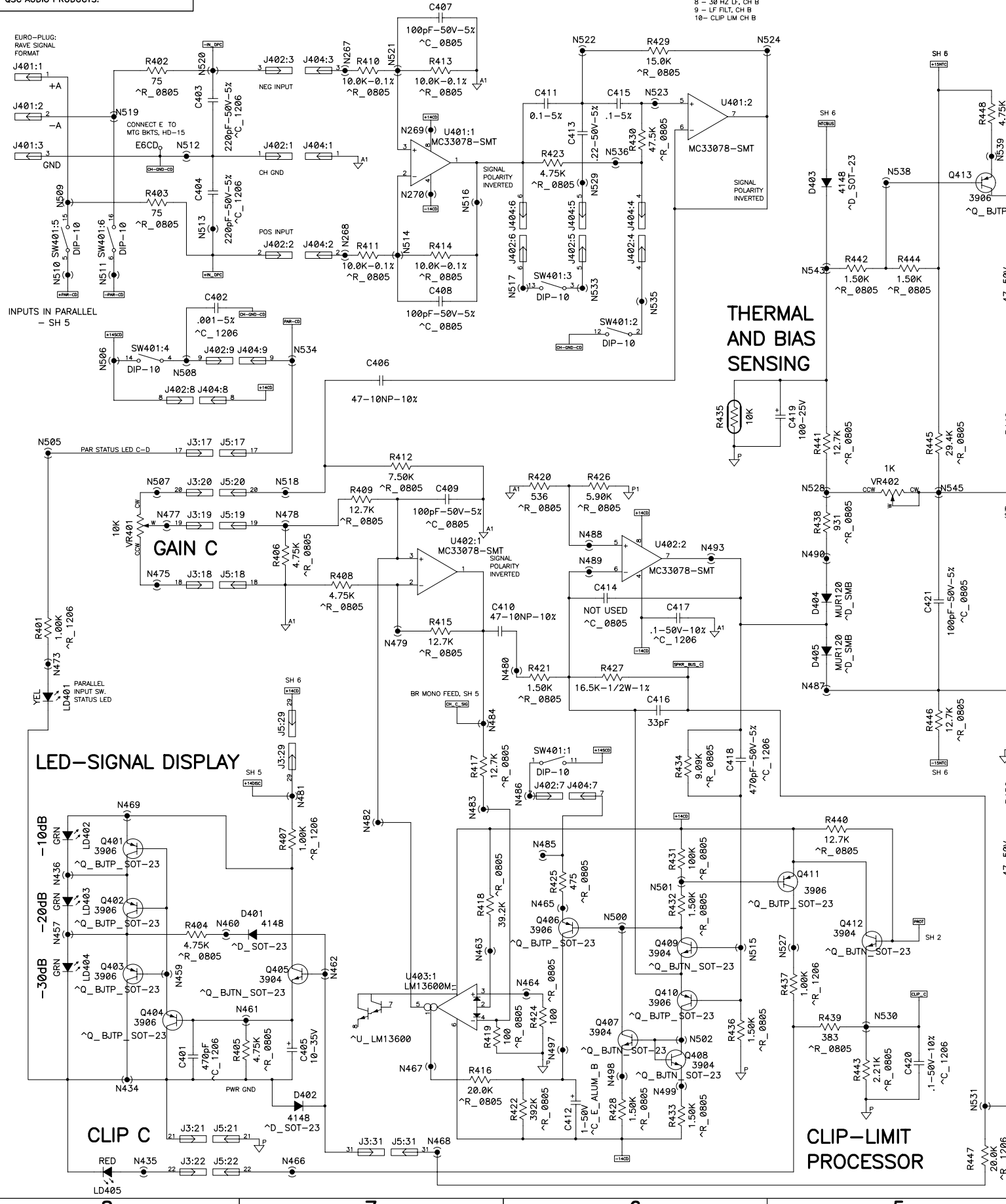
- DIP SWITCH TABLE, 18-POS
- 1 - CLIP LIM, CH A
 - 2 - LF FILT, CH A
 - 3 - 30 HZ LF, CH A
 - 4 - PAR INPUT LED
 - 5 - PAR INPUTS +
 - 6 - PAR INPUTS -
 - 7 - BR MONO
 - 8 - 30 HZ LF, CH B
 - 9 - LF FILT, CH B
 - 10 - CLIP LIM, CH B



THIS DOCUMENT CONTAINS PROPRIETARY INFORMATION WHICH IS THE PROPERTY OF QSC AUDIO PRODUCTS, THAT MAY NOT BE DISCLOSED, REPRODUCED OR USED WITHOUT EXPRESS WRITTEN CONSENT FROM QSC AUDIO PRODUCTS.

INPUT AND FILTER SECTION, CH C

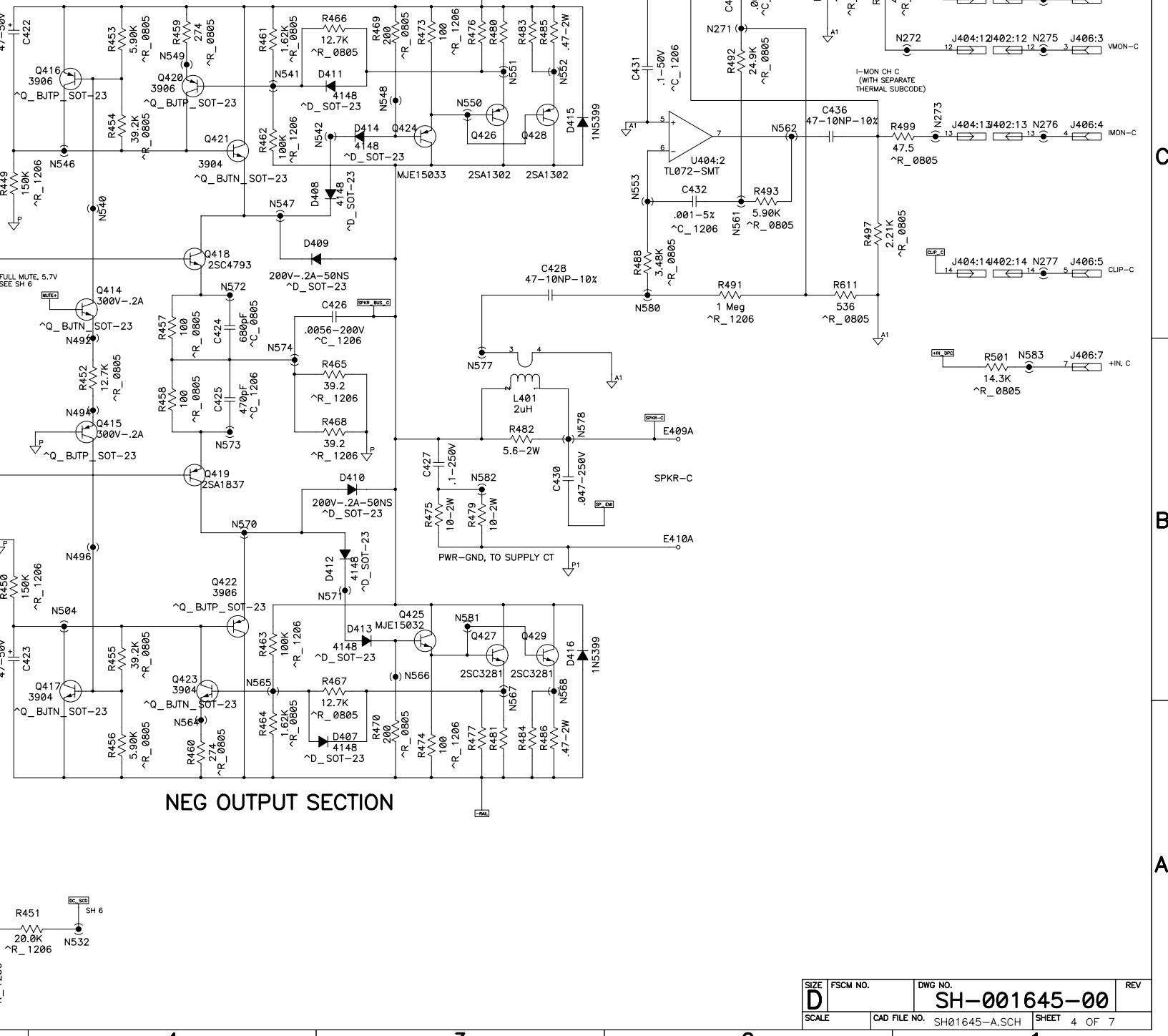
DIP SWITCH TABLE, 10-POS
 1 - CLIP LIM, CH-A
 2 - LF FILT, CH-A
 3 - 30 HZ LF, CH-A
 4 - PAR INPUT LED
 5 - PAR INPUTS, +
 6 - PAR INPUTS, -
 7 - BR MING
 8 - 30 HZ LF, CH B
 9 - LF FILT, CH B
 10 - CLIP LIM CH B



CH C, V-MON, I-MON

POS OUTPUT SECTION

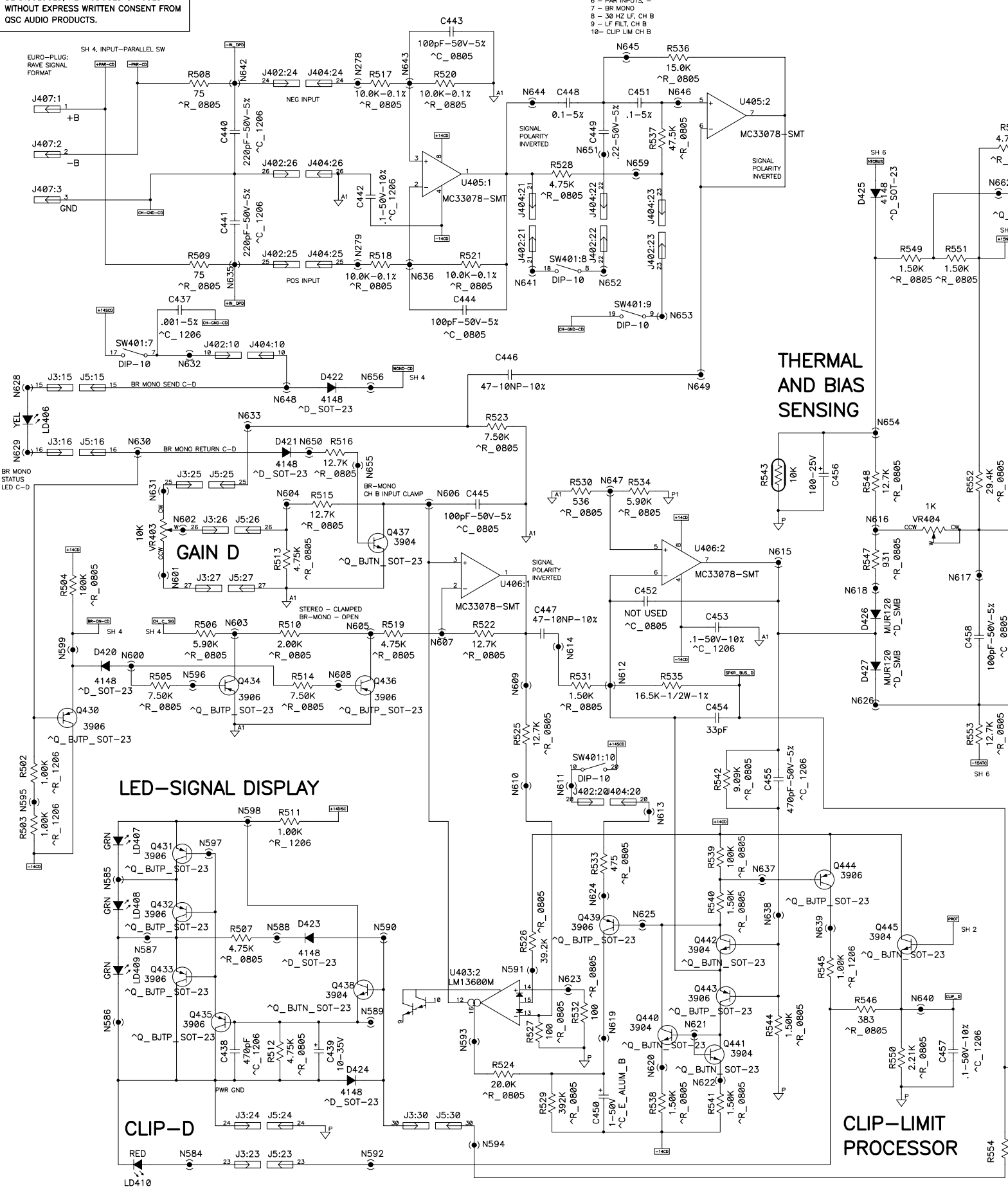
NEG OUTPUT SECTION



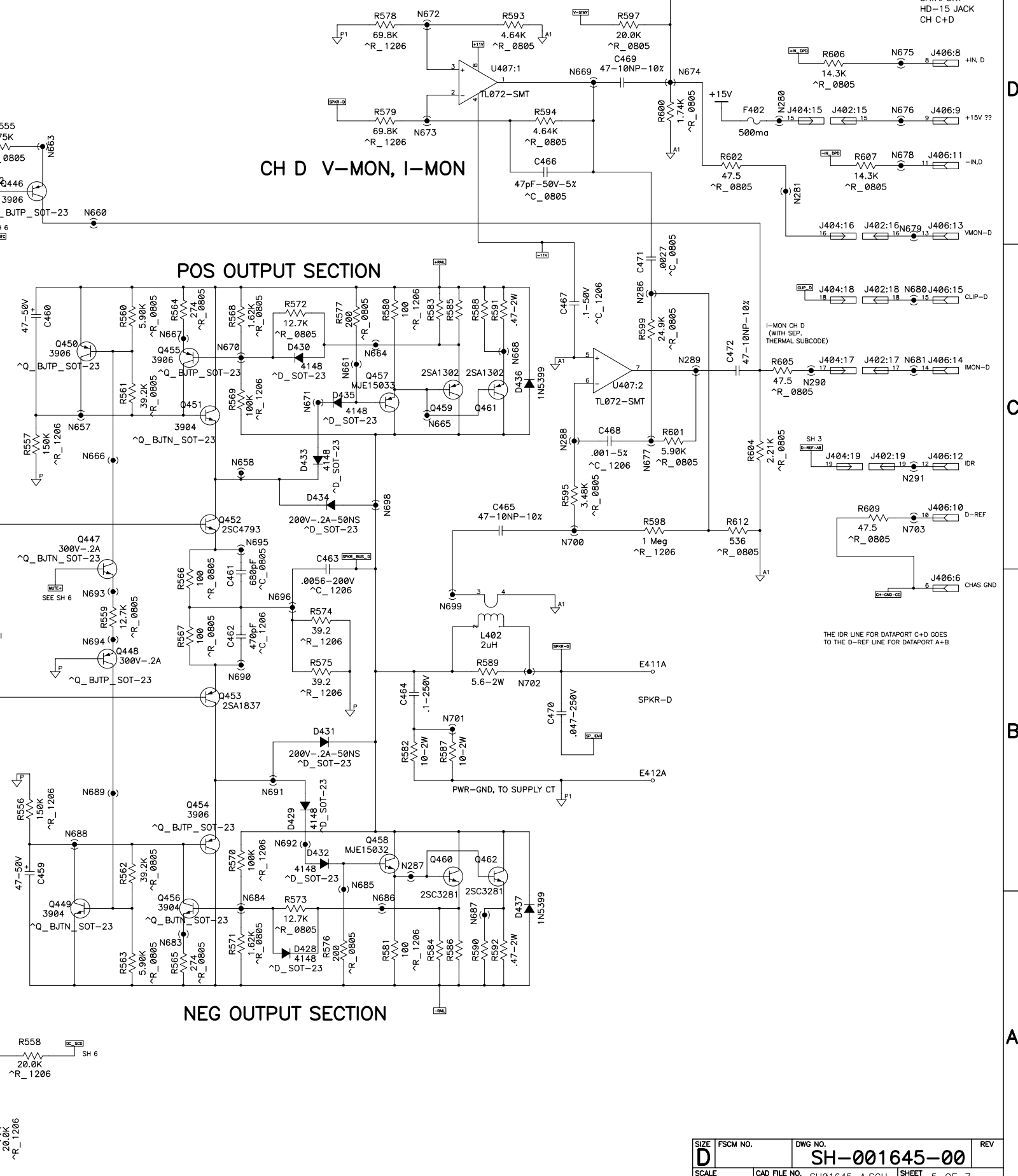
THIS DOCUMENT CONTAINS PROPRIETARY INFORMATION WHICH IS THE PROPERTY OF QSC AUDIO PRODUCTS, THAT MAY NOT BE DISCLOSED, REPRODUCED OR USED WITHOUT EXPRESS WRITTEN CONSENT FROM QSC AUDIO PRODUCTS.

INPUT AND FILTER SECTION, CH D

- DIP SWITCH TABLE, 10-POS
- 1 - CLIP LIM CH-A
 - 2 - LF FILT, CH-A
 - 3 - 30 HZ LF, CH-A
 - 4 - PAR INPUT LED
 - 5 - PAR INPUTS, +
 - 6 - PAR INPUTS, -
 - 7 - BR MONO
 - 8 - 30 HZ LF, CH-B
 - 9 - LF FILT, CH-B
 - 10 - CLIP LIM CH-B

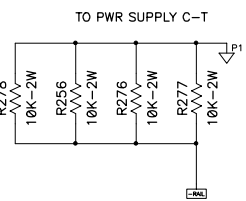
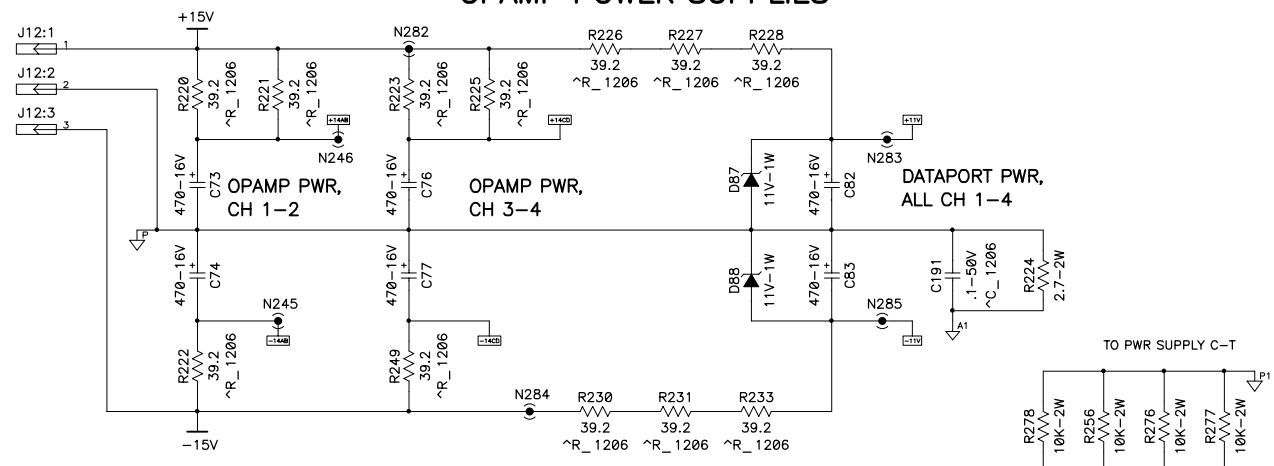


THERMAL AND BIAS SENSING

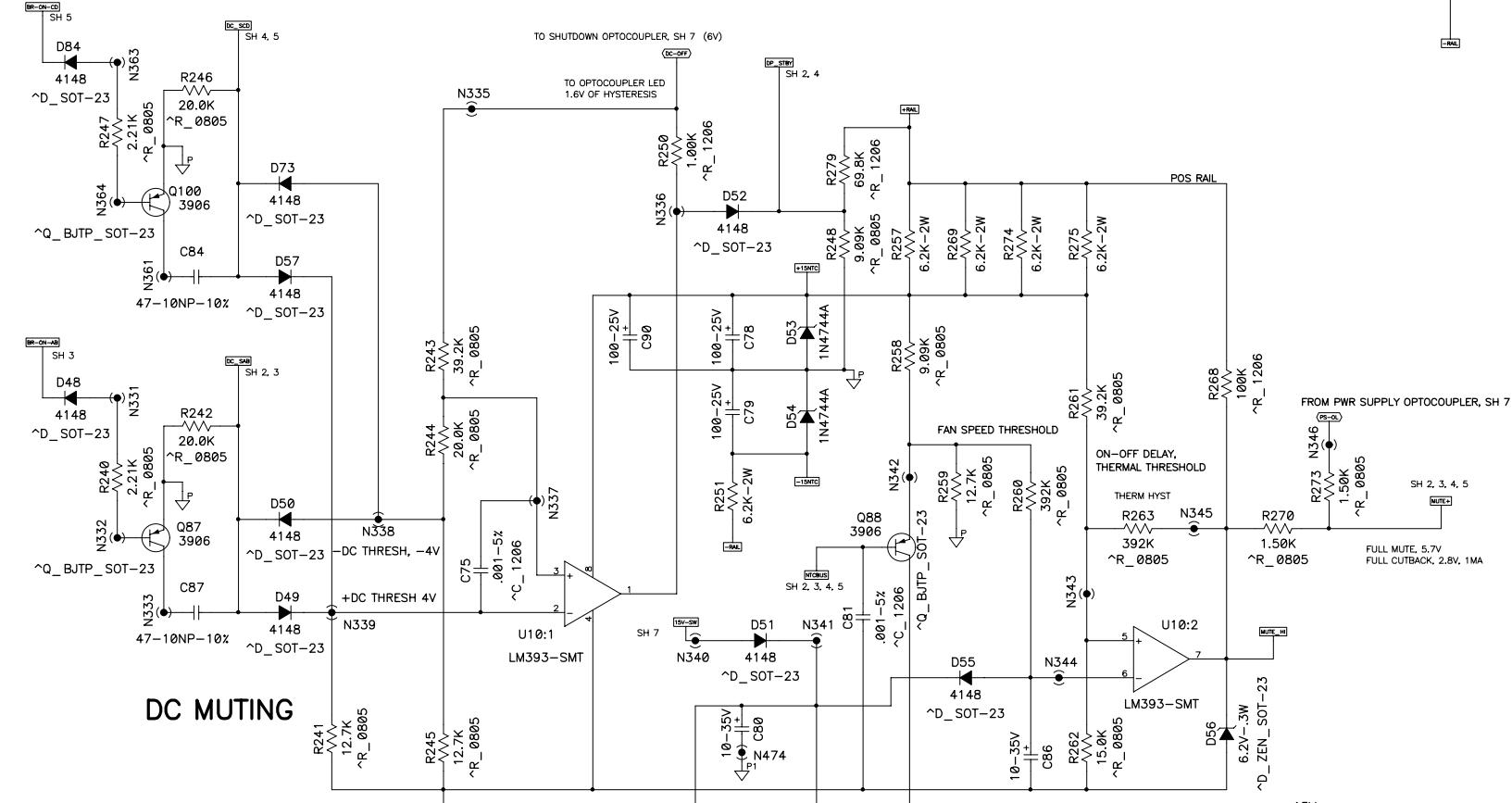


THIS DOCUMENT CONTAINS PROPRIETARY INFORMATION WHICH IS THE PROPERTY OF QSC AUDIO PRODUCTS. THAT MAY NOT BE DISCLOSED, REPRODUCED OR USED WITHOUT EXPRESS WRITTEN CONSENT FROM QSC AUDIO PRODUCTS.

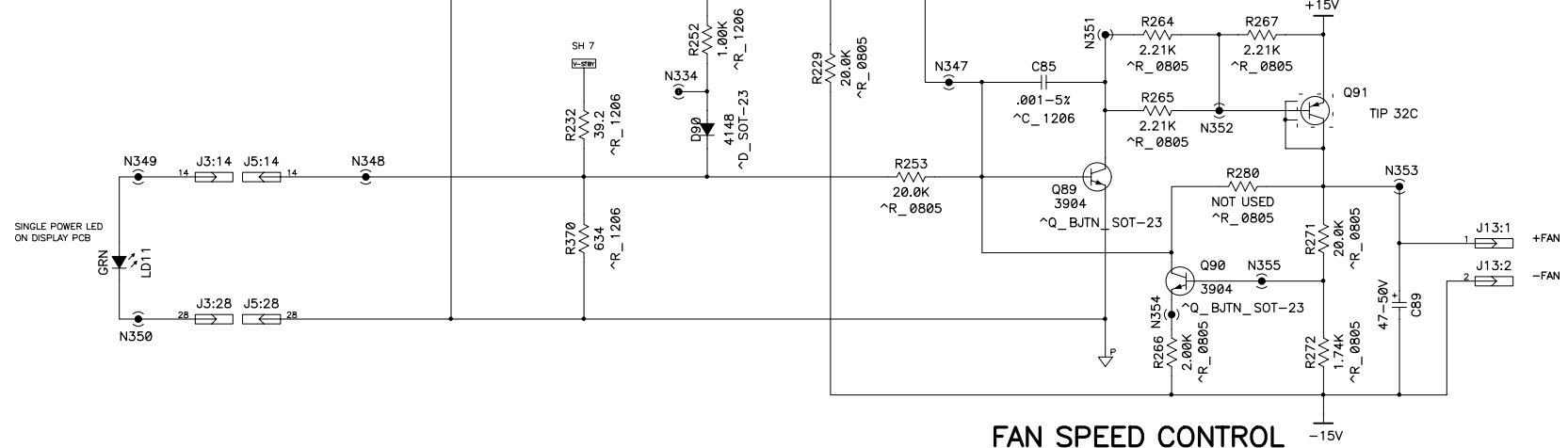
OPAMP POWER SUPPLIES



DC MUTING



FAN SPEED CONTROL



THIS DOCUMENT CONTAINS PROPRIETARY INFORMATION WHICH IS THE PROPERTY OF QSC AUDIO PRODUCTS. THAT MAY NOT BE DISCLOSED, REPRODUCED OR USED WITHOUT EXPRESS WRITTEN CONSENT FROM QSC AUDIO PRODUCTS.

