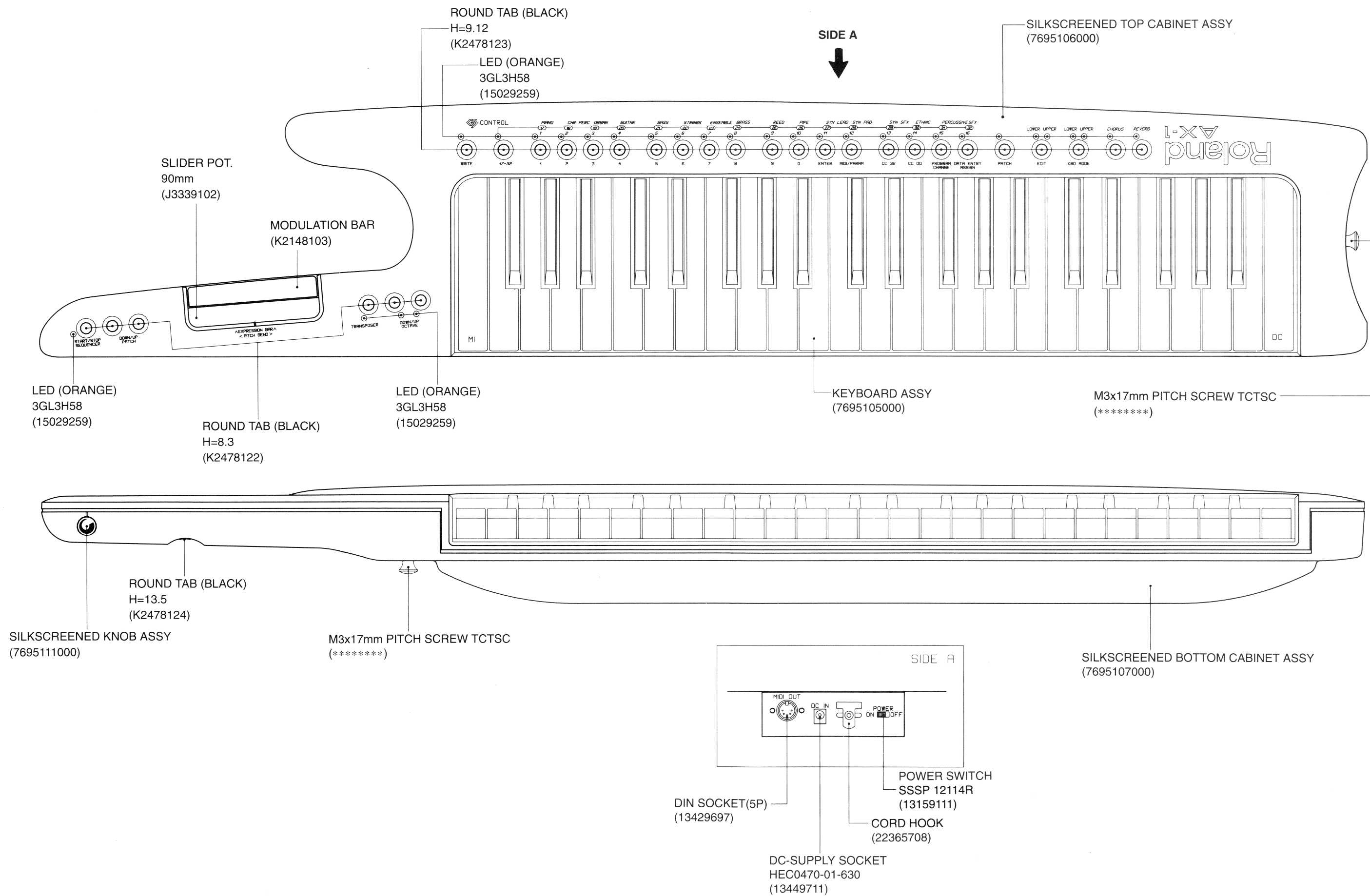
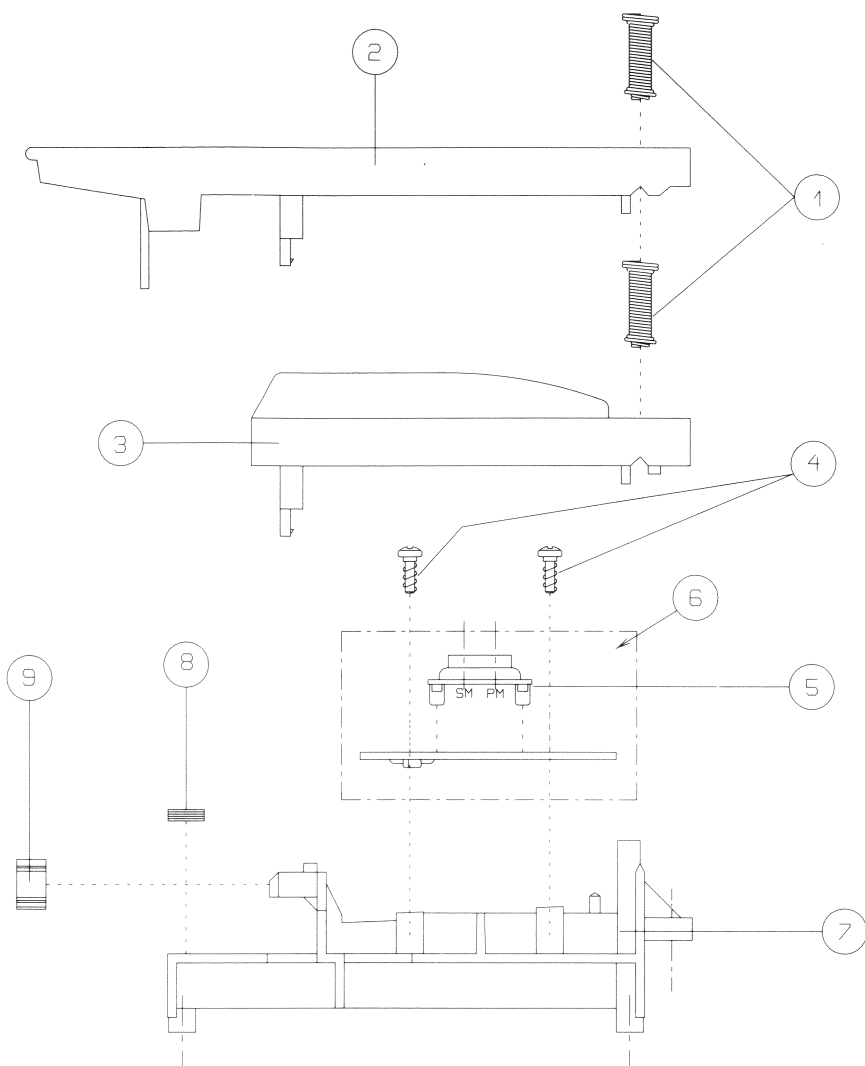


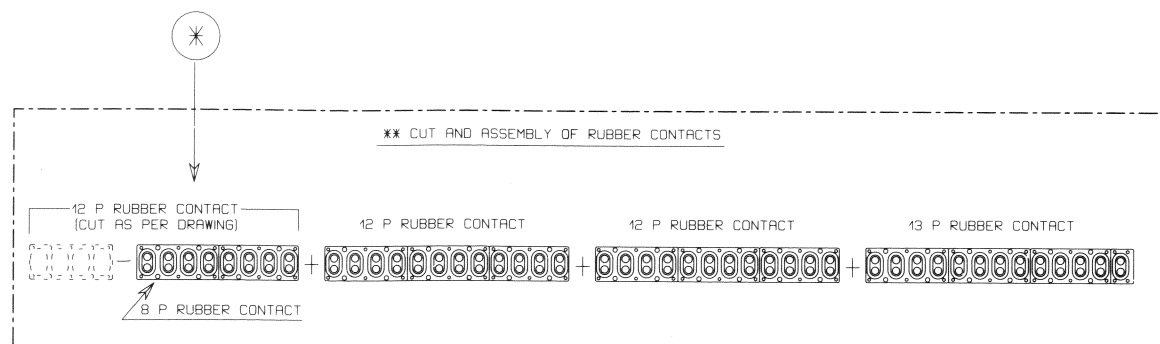
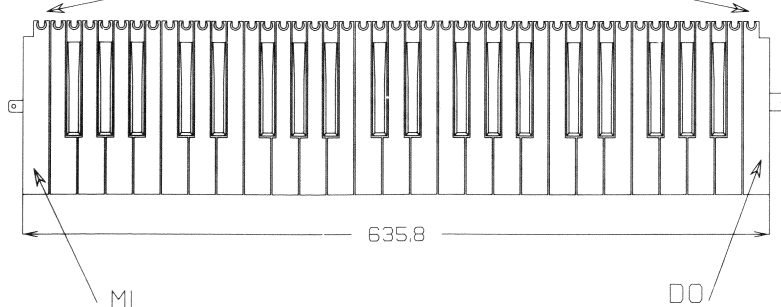
LOCATION OF CONTROLS/パネル配置図



KEYBOARD PARTS LIST/鍵盤パーツリスト



KEYBOARD WITH 45 KEYS
TP7-BA SHARP-END KEY



| NO. | PARTS NUMBER | PARTS NAME |
|-----|--------------|---|
| ① | 22178226 | KEY SPRING |
| ② | J2579123 | NATURAL KEY C5 (DO) |
| | J2579124 | NATURAL KEY D6 (RE) |
| | J2579125 | NATURAL KEY E7 (MI) |
| | J2579126 | NATURAL KEY F1 (FA) |
| | J2579127 | NATURAL KEY G2 (SOL) |
| | J2579128 | NATURAL KEY A3 (LA) |
| | J2579129 | NATURAL KEY B4 (SI) |
| | J2579130 | NATURAL KEY C8 (DO fin) |
| | J2579131 | NATURAL KEY E7 (MI iniz) |
| ③ | 22578318 | SHARP KEY |
| ④ | ***** | 2.9X 8mm FIX SCREW TCTCPRBZ (SCREW NO.206142908) |
| ⑤ | 22185238 | RUBBER CONTACT (12P) |
| | 22185239 | RUBBER CONTACT (13P) |
| | ***** | RUBBER CONTACT (8P) |

NOTE: We can not supply "RUBBER CONTACT (8P)".
We can supply "RUBBER CONTACT (12P) as replacement parts. Please use it and cut as per drawing.

注: "RUBBER CONTACT (8P)"は、供給しませんので注意して下さい。補修用部品としては、"RUBBER CONTACT (12P)"を供給します。図のように、切って使用して下さい。

| | | |
|---|------------|--|
| ⑦ | 7695104000 | CONTACT PCB ASSY (W/RUBBER CONTACT) or CONTACT BOARD ASSY |
| ⑧ | J2819101 | PLASTIC CHASSIS (45KEYS) |
| ⑨ | J2599127 | ADHESIVE RUBBER 8x2.5x636mm |
| ⑩ | 22158789 | GUIDE BUSHING |

RESTORING THE FACTORY PRESETS/

ファクトリー・プリセット・データのロードの方法

1. Switch on your instrument keeping the tab "WRITE" pressed.
2. All 32 Factory Patched will be restored into your musical device.
3. During the restoring procedure, the LEDs on the panel will blink until the operation is over.
4. The restoring procedure requires 30 seconds approximately.

1. [WRITE]ボタンを押しながら、電源を入れてください。
2. すべてのファクトリーデータが、ロードされます。
3. ロード中はパネル上のすべてのLEDが点滅します。
4. 約30秒でロードが終了します。

NOTE : When switched on, your instrument will be automatically set to "Patch 1".

注：電源を入れると自動的に「パッチ1」になります。

PARTS LIST FOR EXPLODED VIEW (NO1)/ 分解図 (その1)用パーツリスト

[PARTS]

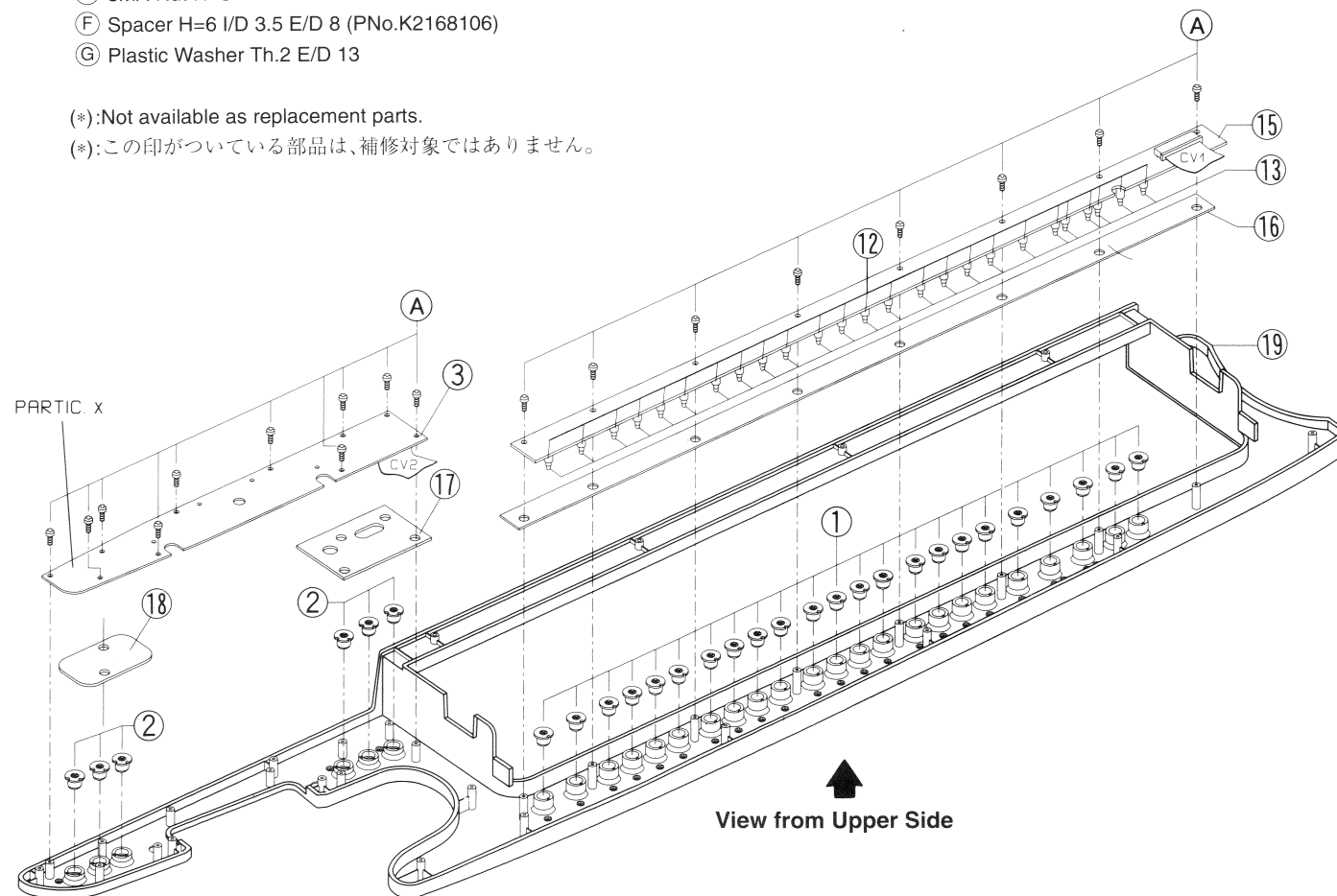
| No. | Parts Name | Parts Number |
|-----|--|--------------|
| ① | Round TAB (black) H=9.12 | K2478123 |
| ② | Round TAB (black) H=8.3 | K2478122 |
| ③ | Pitch Bender Assy (or Pitch Bender PCB Assy) | 7695103000 |
| ④ | Extension Spring | K2178101 |
| ⑤ | Modulation Bar | K2148103 |
| ⑥ | Slider Pot. 90mm | J3339102 |
| ⑦ | Contact Holder + Sensor | K1188118 |
| ⑧ | Contact F/Sensor | 22925256 |
| ⑨ | Rubber Sensor | 22185229 |
| ⑩ | Spring and Bar Holder | K1188116 (*) |
| ⑪ | Hex. Spacer F/LED H=8.8 | K2168107 |
| ⑫ | Hex. Spacer F/LED H=12 | K2168105 |
| ⑬ | LED (orange) 3GL3H58 | 15029259 |
| ⑭ | Switch EVQ-QVT 05G | 13129753RI |
| ⑮ | Controls PCB Assy (or Controls Board Assy) | 7695102000 |
| ⑯ | Vibr. Damping Form (599x 20x 2mm) | K2268112 (*) |
| ⑰ | Vibr. Damping Form (75x 49x 2mm) | K2268111 (*) |
| ⑱ | Vibr. Damping Form (60x 36x 2mm) | K2268110 (*) |
| ⑲ | Silkscreened Top Cabinet Assy | 7695106000 |
| ⑳ | Spacer F/LED H=0.9 E/D 5.5 | K2168104 |

[SCREW]

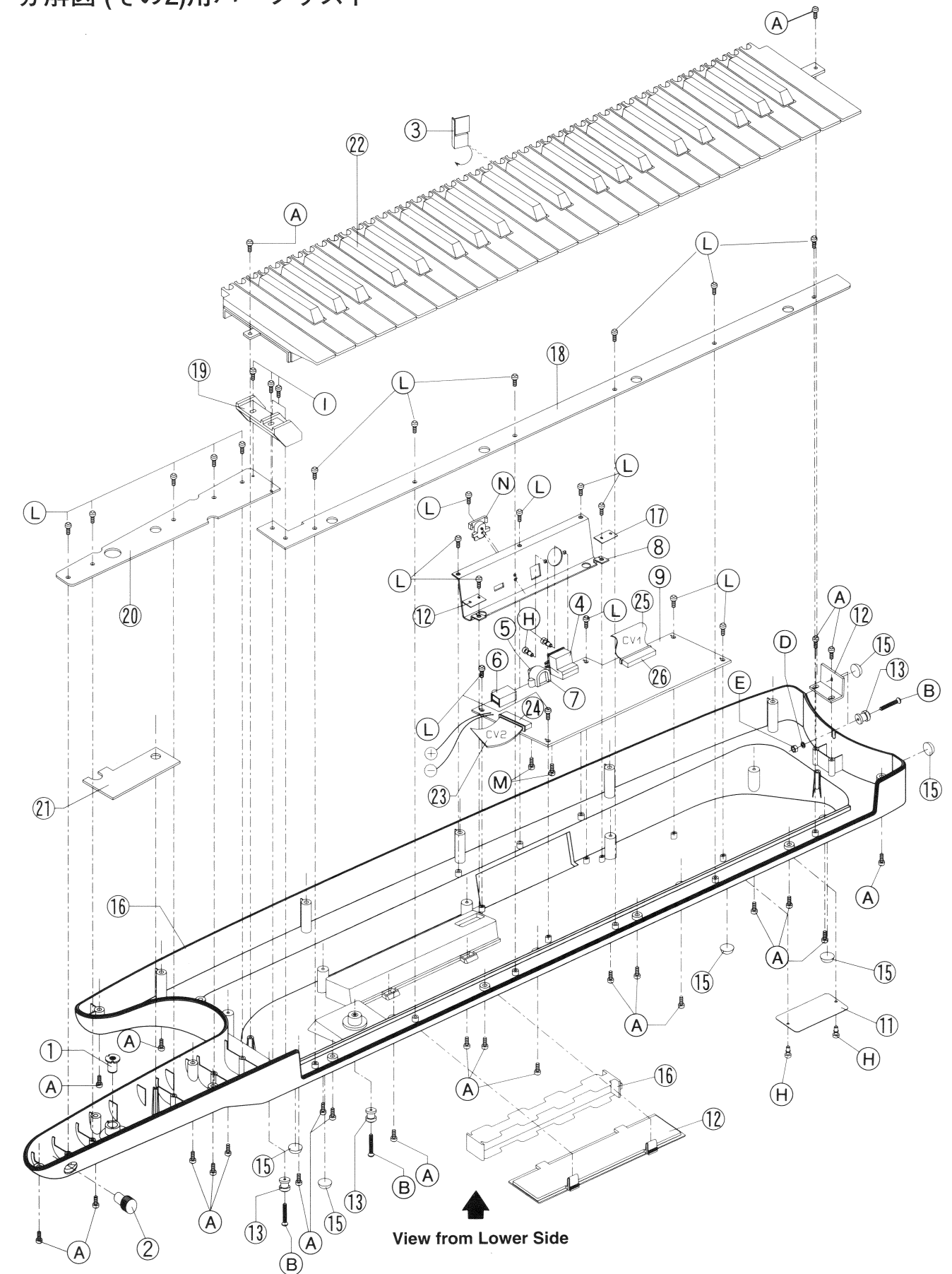
- (A) 2.9x 8mm Self Tap. Screw TCTCPRBZ
- (B) M3 x16mm Pitch Screw TCTC
- (C) M3 x10mm Pitch Screw TCTC
- (E) 3MA Nut H=3
- (F) Spacer H=6 I/D 3.5 E/D 8 (PNo.K2168106)
- (G) Plastic Washer Th.2 E/D 13

(*):Not available as replacement parts.

(*):この印がついている部品は、補修対象ではありません。

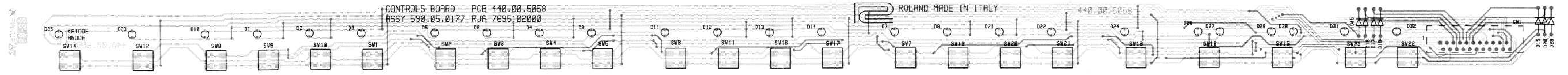


PARTS LIST FOR EXPLODED VIEW (NO2)/ 分解図 (その2)用パーツリスト



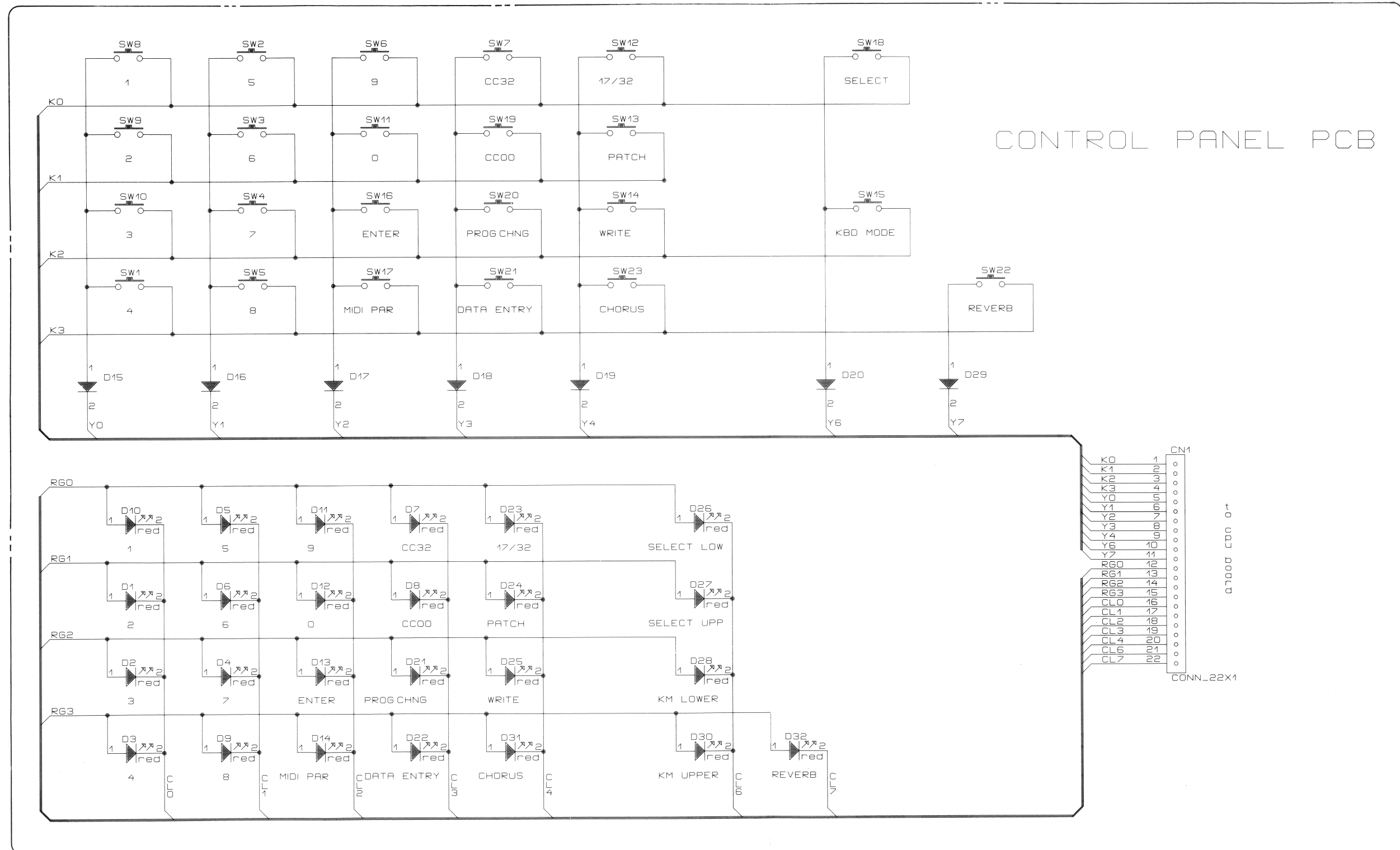
1 2 3 4 5 6 7 8 9 10 11 12 13 14 15 16 17 18 19 20 21 22 23 24 25 26 27 28 29 30

A **CONTROLS PCB ASS'Y(or CONTROLS BOARD)**
ASSY 7695102000



View from component side

B **CONTROLS PCB ASS'Y(or CONTROLS BOARD)**



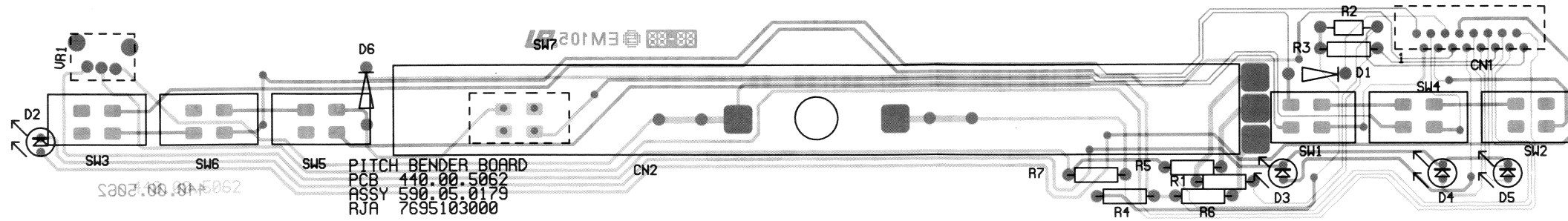
C
D
E
F
G
H
I
J
K
L
M
N
O
P
Q
R
S
T
U

1 2 3 4 5 6 7 8 9 10 11 12 13 14 15 16 17 18 19 20 21 22 23 24 25 26 27 28 29 30

A
B
C
D
E
F
G
H
I
J
K
L
M
N
O
P
Q
R
S
T
U

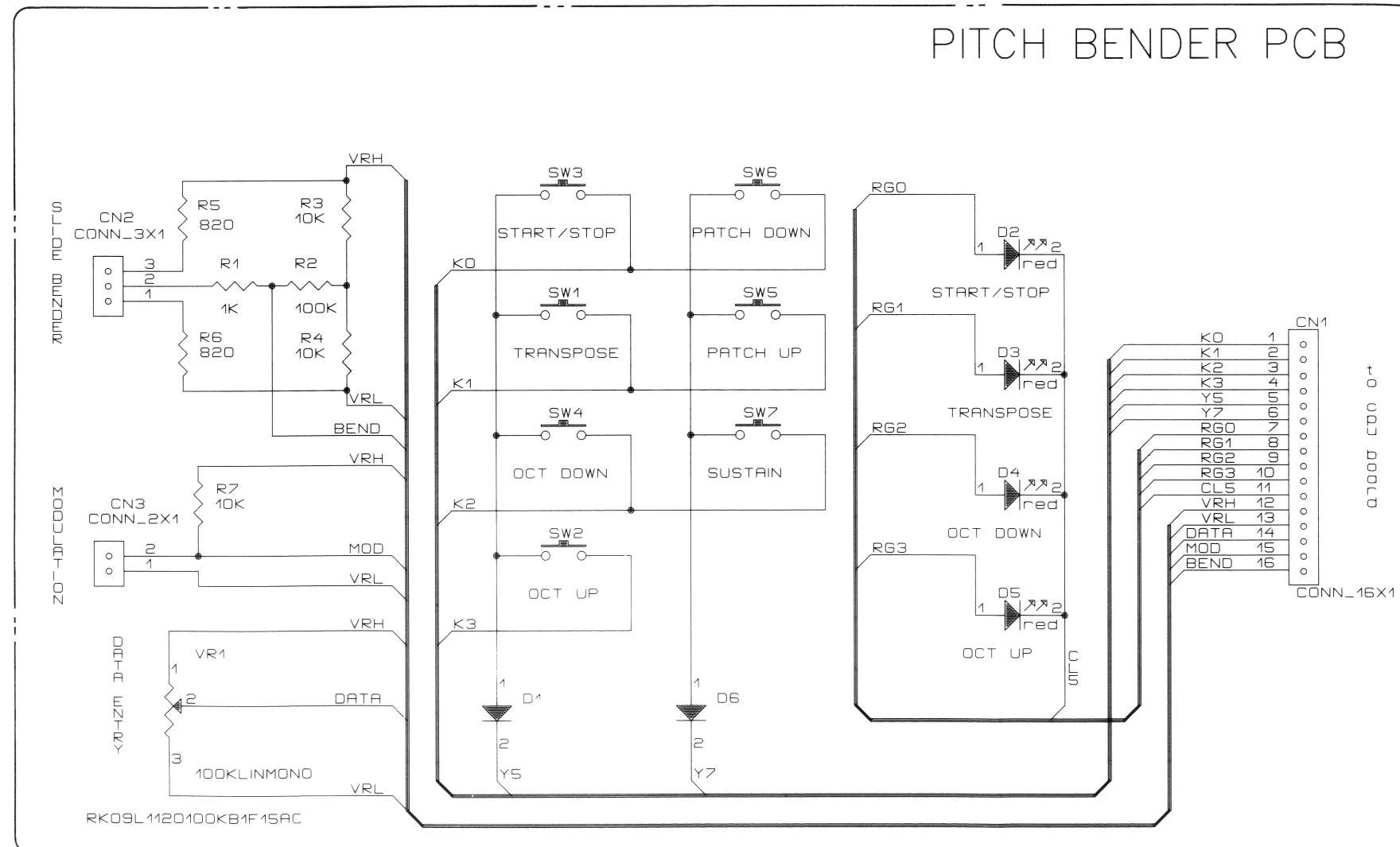
PITCH BENDER ASS'Y(or PITCH BENDER BOARD)

ASSY 7695103000



View from component side

PITCH BENDER ASS'Y(or PITCH BENDER BOARD)



NOTE : Replacement "PITCH BENDER ASSY" include the following parts.
Refer to the "EXPLODED VIEW OF PITCH BENDER ASSY"(P.4) for details.
注：補修用"PITCH BENDER ASSY"は下記の部品を含みます。
詳細は"PITCH BENDER ASSY分解図"(P.4)を参照して下さい。

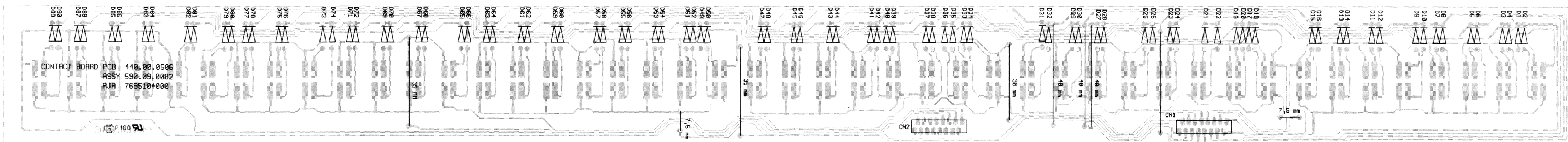
- | | | |
|------------|------|----------------------------|
| J3339102 | 90mm | SLIDER POT. |
| 22185229 | | RUBBER SENSOR |
| 22925256 | | CONTACT F/SENSOR |
| K2178101 | | EXTENSION SPRING |
| K2148103 | | MODULATION BAR |
| K1188118 | | CONTACT HOLDER + SENSOR |
| K2168104 | | SPACER F/LED H=0.9 E/D 5.5 |
| K2168107 | | HEX. SPACER F/LED H=8.8 |
| 13129753RI | | EVQ-QVT 05G |

1 2 3 4 5 6 7 8 9 10 11 12 13 14 15 16 17 18 19 20 21 22 23 24 25 26 27 28 29 30

A
B
C
D
E
F
G
H
I
J
K
L
M
N
O
P
Q
R
S
T
U

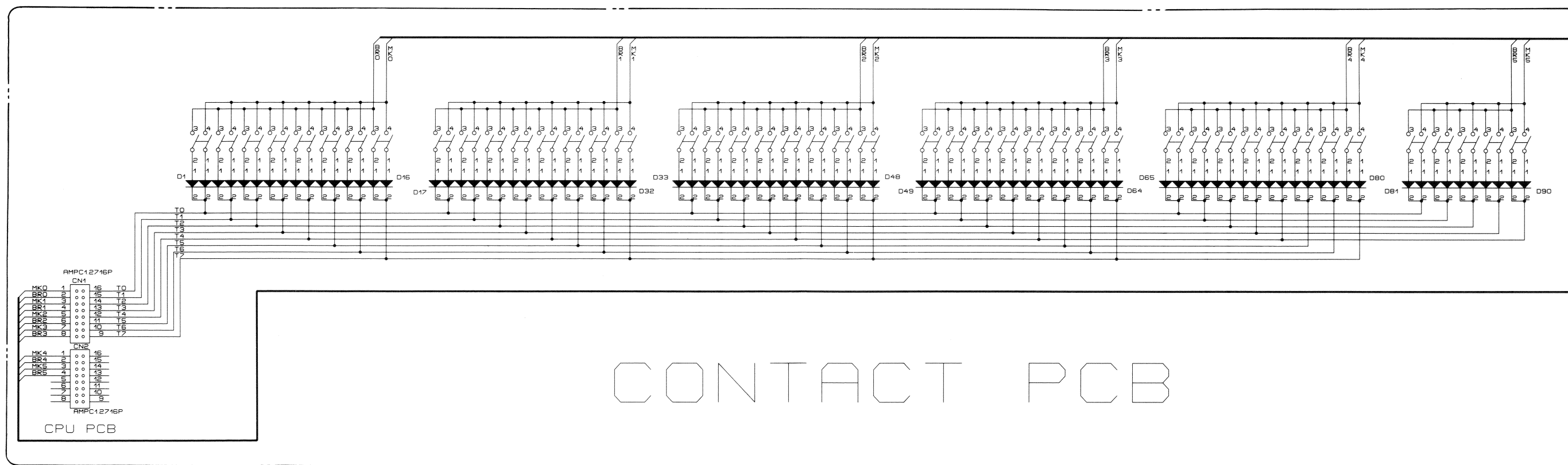
CONTACT PCB ASS'Y w/RUBBER CONTACT(or CONTACT BOARD)

ASSY 7695104000



View from component side

CONTACT PCB ASS'Y w/RUBBER CONTACT(or CONTACT BOARD)

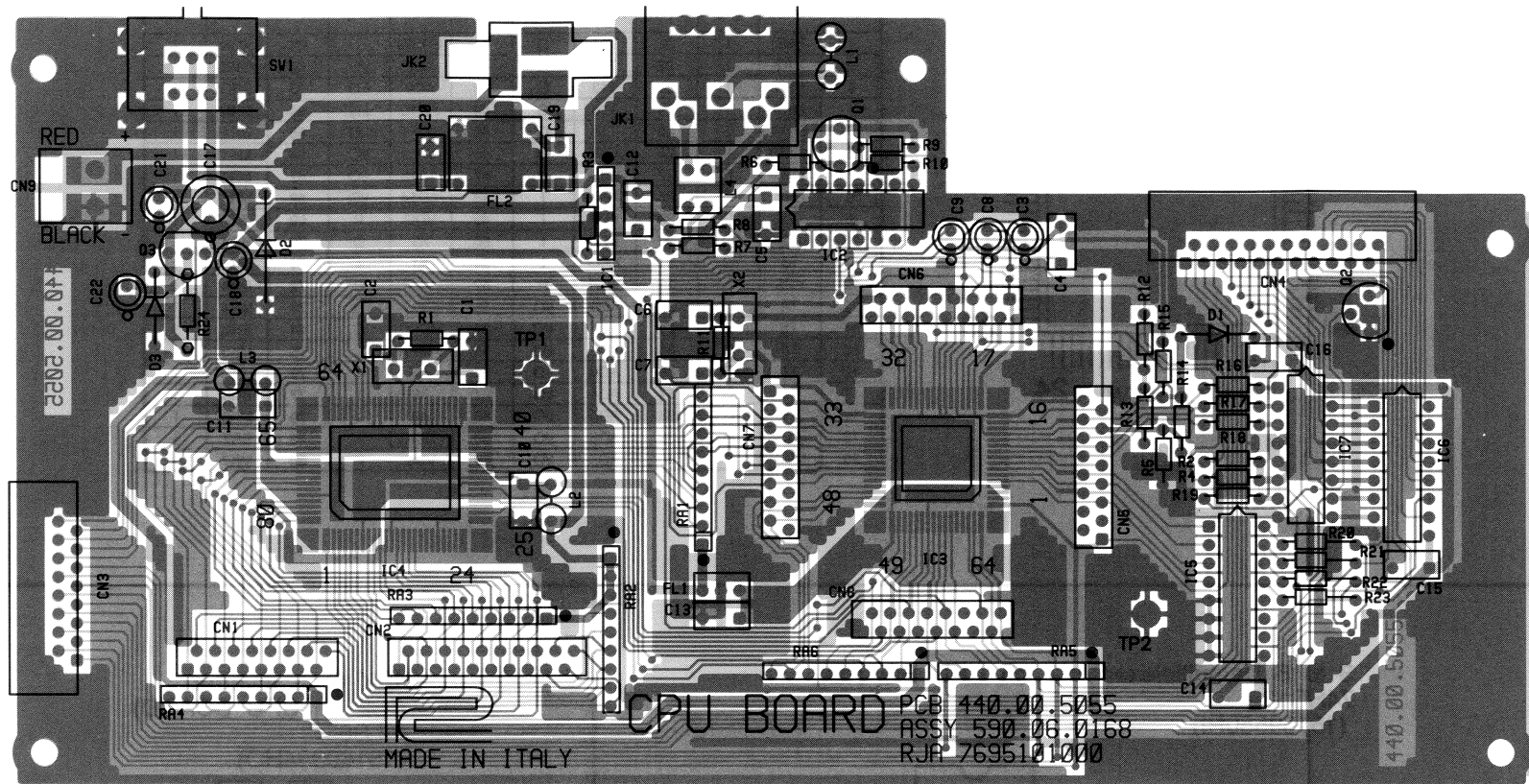


CONTACT PCB

1 2 3 4 5 6 7 8 9 10 11 12 13 14 15 16 17 18 19 20 21 22 23 24 25 26 27 28 29 30

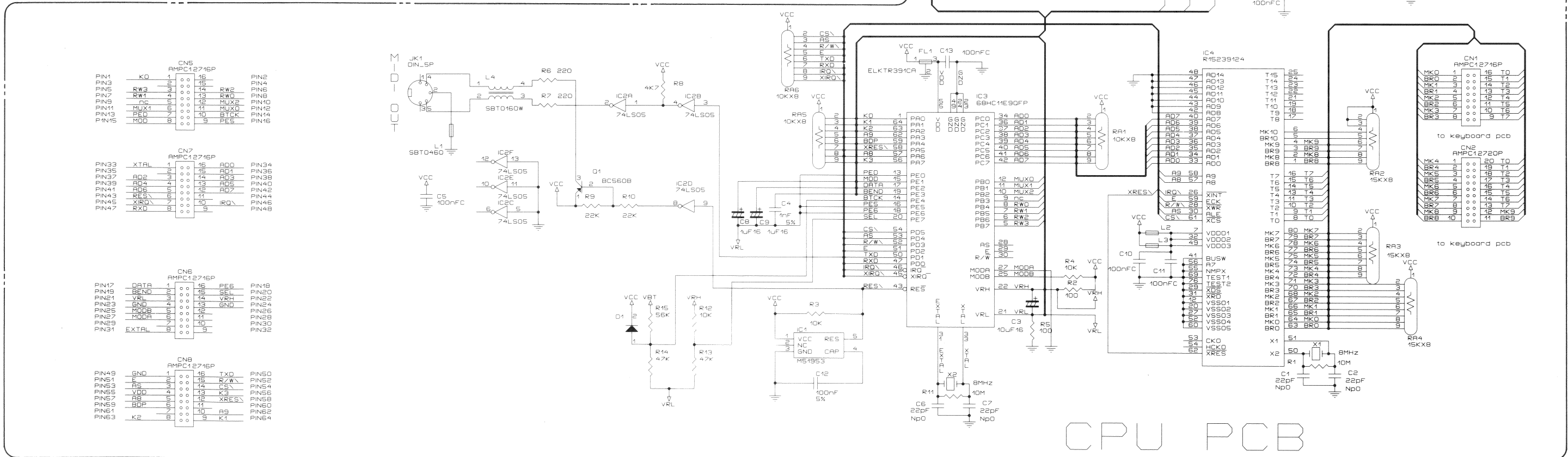
A
B
C
D
E
F
G
H
I
J
K
L
M
N
O
P
Q
R
S
T
U

E CPU PCB ASS'Y(or CPU BOARD)
ASSY 7695101000



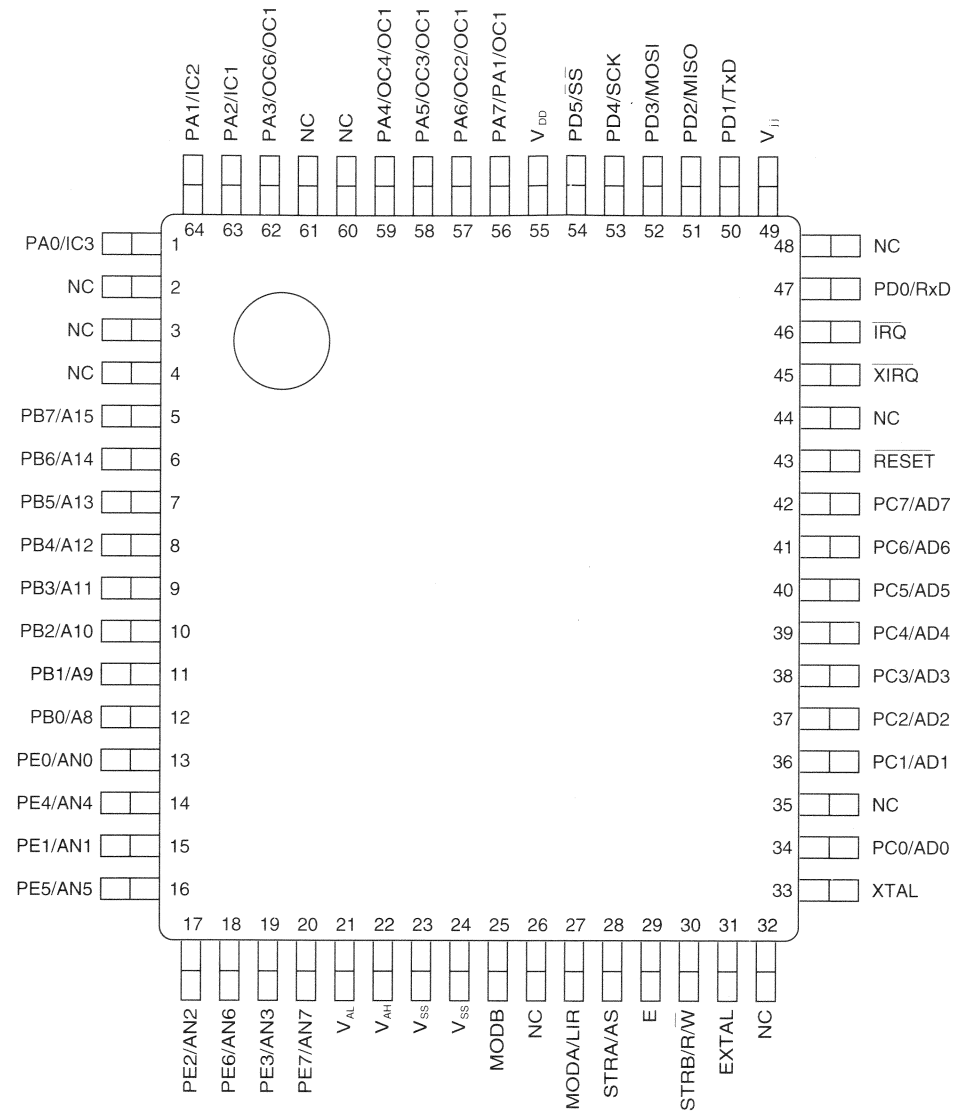
View from component side

E CPU PCB ASS'Y(or CPU BOARD)



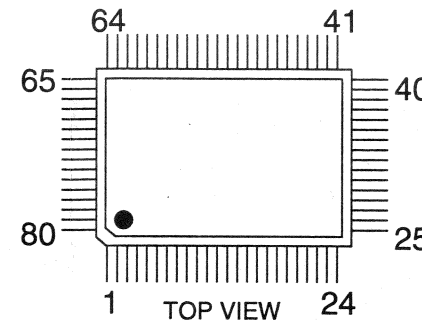
CPU PCB

IC DATA/ICデータ



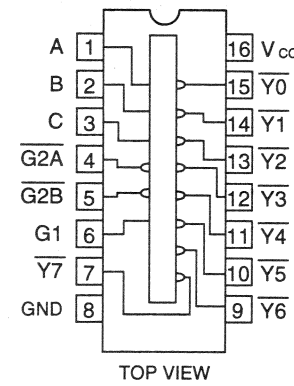
MASK CPU (IC3 on CPU BOARD)
ZC 400431FU
(K5258101)

Gate Array (Key Scan)
SSC1000 (IC4 on CPU BOARD)
(15239124)

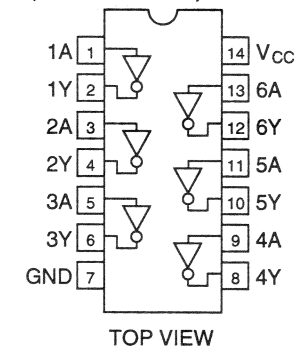


| PIN NO. | NAME | I/O | PIN NO. | NAME | I/O | PIN NO. | NAME | I/O | PIN NO. | NAME | I/O |
|---------|------|-----|---------|------|-----|---------|------|-----|---------|------|-----|
| 1 | BR8 | I | 21 | T11 | O | 41 | BUSW | I | 61 | XCS | I |
| 2 | MK8 | I | 22 | T12 | O | 42 | AD8 | I/O | 62 | XRES | I |
| 3 | BR9 | I | 23 | T13 | O | 43 | AD9 | I/O | 63 | BR0 | I |
| 4 | MK9 | I | 24 | T14 | O | 44 | AD10 | I/O | 64 | MK0 | I |
| 5 | BR10 | I | 25 | T15 | O | 45 | AD11 | I/O | 65 | BR1 | I |
| 6 | MK10 | I | 26 | XINT | O | 46 | AD12 | I/O | 66 | MK1 | I |
| 7 | VDD | P | 27 | VSS | P | 47 | AD13 | I/O | 67 | BR2 | I |
| 8 | T0 | O | 28 | XWR | I | 48 | AD14 | I/O | 68 | MK2 | I |
| 9 | T1 | O | 29 | XDS | I | 49 | VDD | P | 69 | TEST | I |
| 10 | T2 | O | 30 | ALE | I | 50 | X2 | O | 70 | BR3 | I |
| 11 | T3 | O | 31 | XRO | I | 51 | X1 | I | 71 | MK3 | I |
| 12 | VSS | P | 32 | VRR | P | 52 | VSS | P | 72 | BR4 | I |
| 13 | T4 | O | 33 | AD0 | I/O | 53 | CKO | O | 73 | MK4 | I |
| 14 | T5 | O | 34 | AD1 | I/O | 54 | HCKO | O | 74 | BR5 | I |
| 15 | T6 | O | 35 | AD2 | I/O | 55 | NMPX | I | 75 | MK5 | I |
| 16 | T7 | O | 36 | AD3 | I/O | 56 | A7 | I | 76 | TEST | I |
| 17 | T8 | O | 37 | AD4 | I/O | 57 | A8 | I | 77 | BR6 | I |
| 18 | T9 | O | 38 | AD5 | I/O | 58 | A9 | I | 78 | MK6 | I |
| 19 | T10 | O | 39 | AD6 | I/O | 59 | ECK | I | 79 | BR7 | I |
| 20 | VSS | P | 40 | AD7 | I/O | 60 | VSS | P | 80 | MK7 | I |

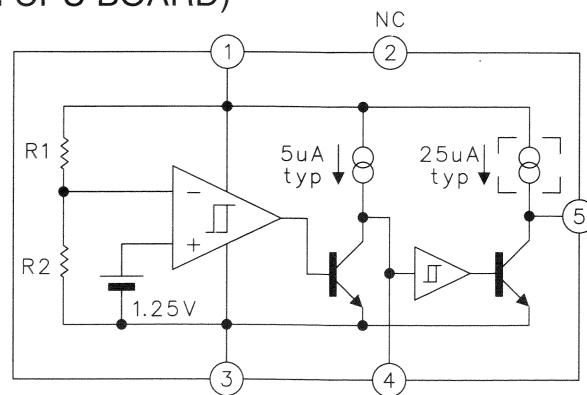
3 to 8 Demultiplexer (IC7 on CPU BOARD)
74HC138
(15169550RI)



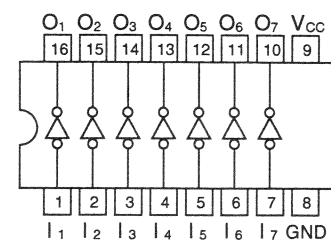
HEX O.C. Inverter (IC2 on CPU BOARD)
74LS05P
(15169334HO)



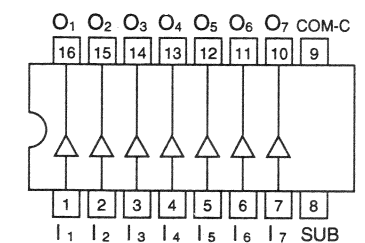
Reset IC (IC1 on CPU BOARD)
M51953AL
(15219183)



BUFFER (IC5 on CPU BOARD)
TD62506P
(15199559RI)



BUFFER (IC6 on CPU BOARD)
TD62305AP
(15199560RI)



Roland®

17059653

UPC

17059653



18981

Roland®