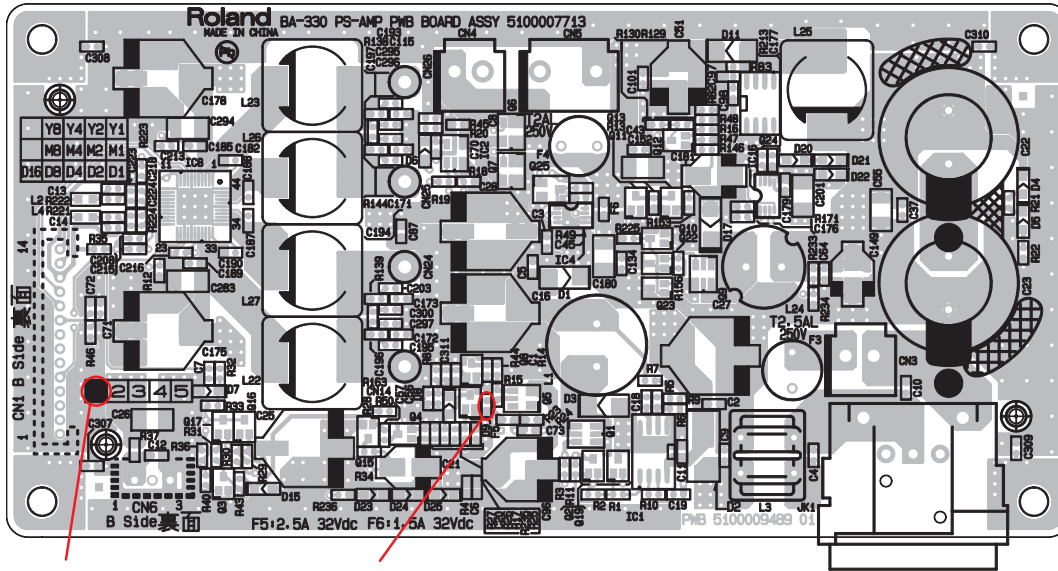
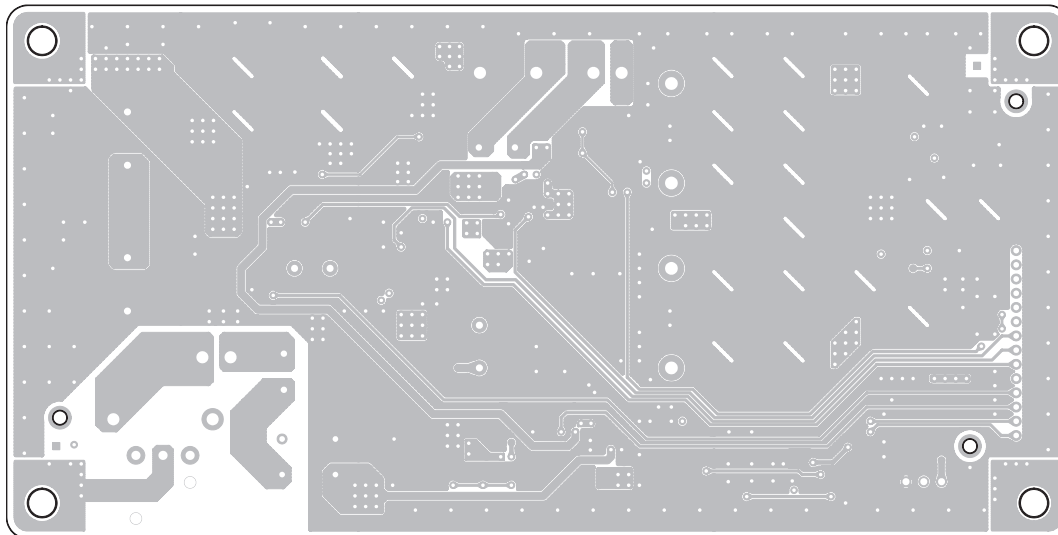


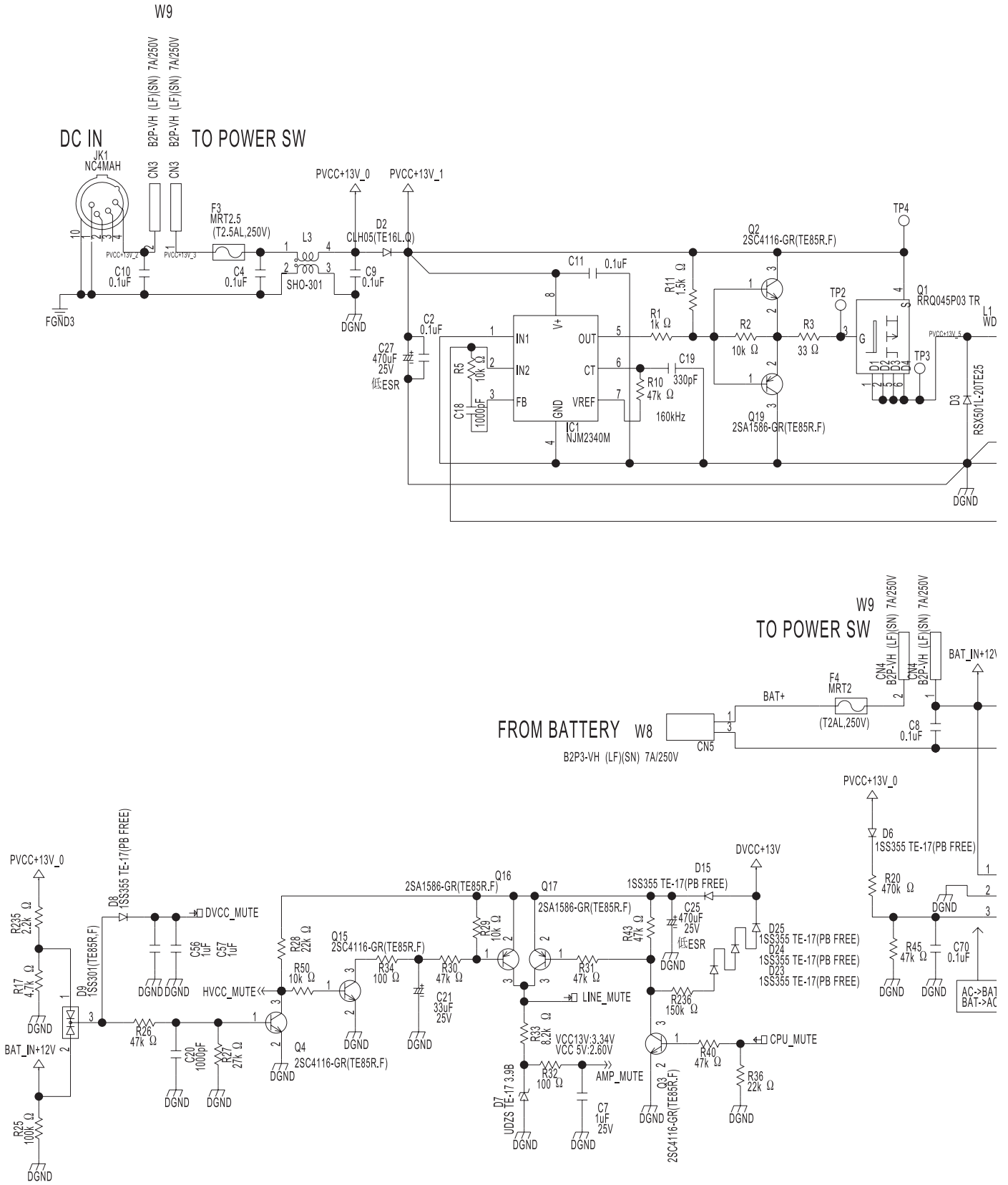
Circuit Board (PS-Amp Board)



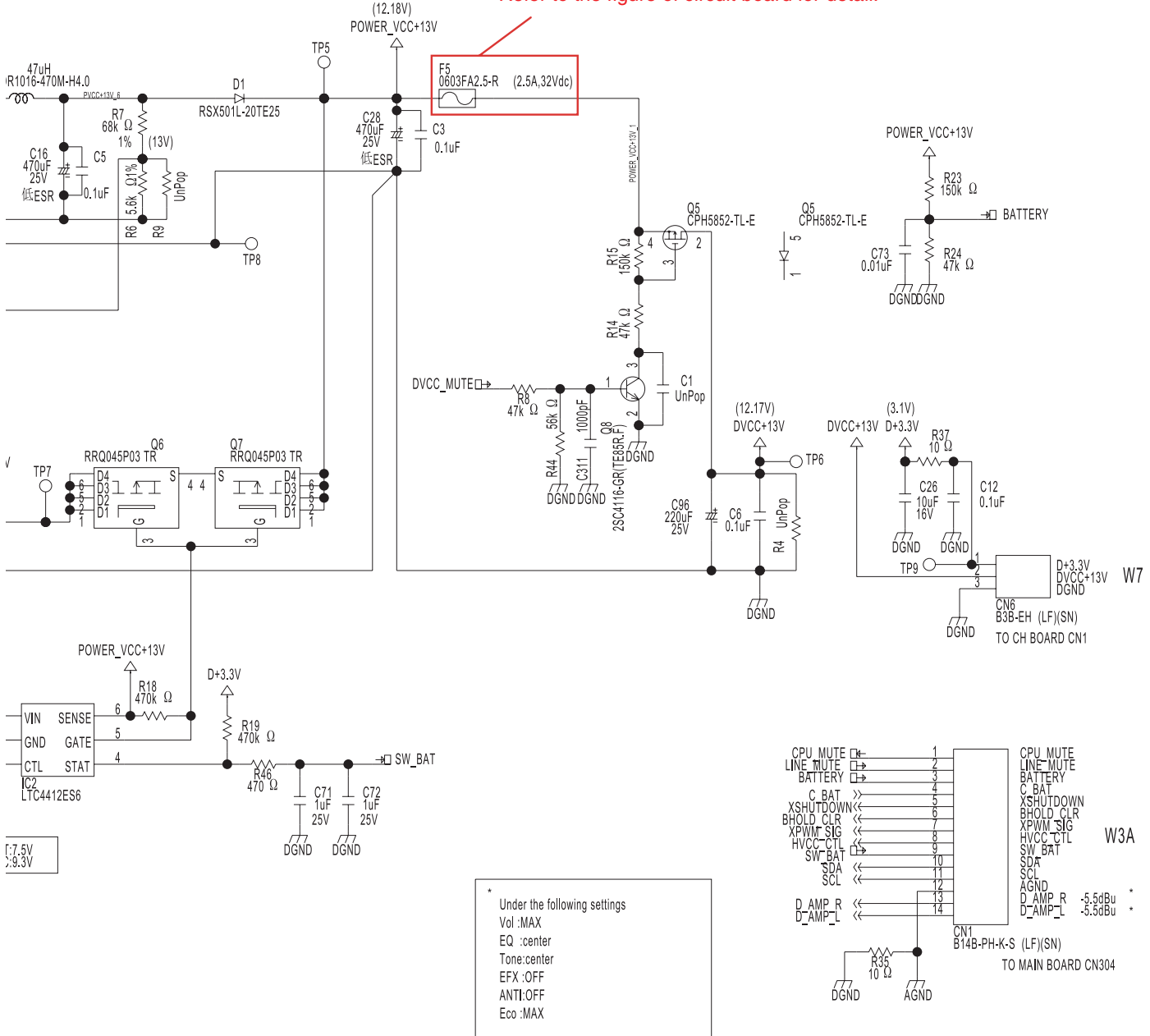
If the serial number is between ZY60150 and ZY71669,
a component before design change is mounted at F5.
Change it to 5100009920 0603FA2.5-R.
After changing, make a mark at number "1."



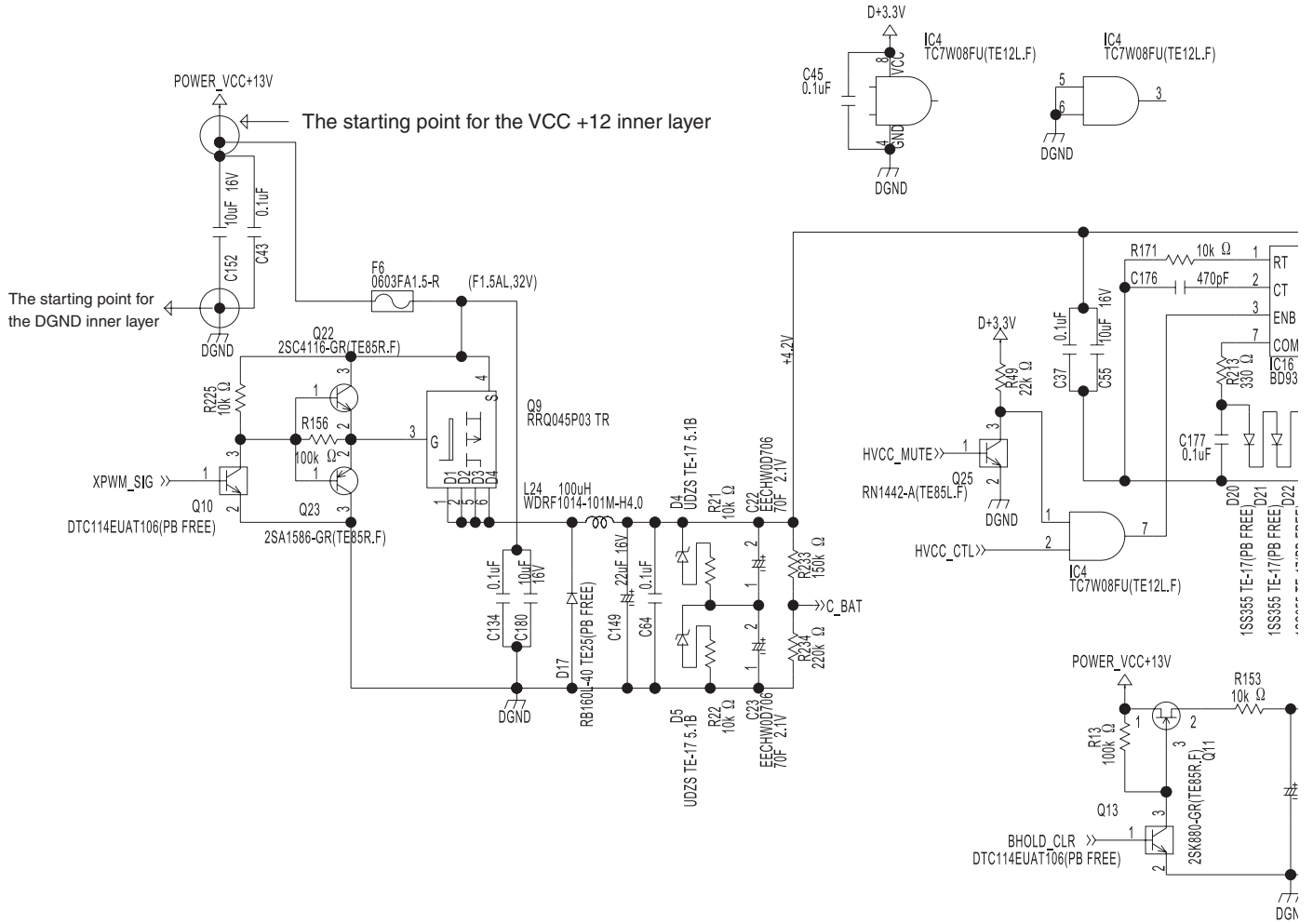
Circuit Diagram (PS-Amp Board: 1/2)



If the serial number is between ZY60150 and ZY71669,
 a component before design change is mounted as F5.
 Change it to 5100009920 0603FA2.5-R.
 Refer to the figure of circuit board for detail.



Circuit Diagram (PS-Amp Board: 2/2)



* Under the following settings
 Vol :MAX
 EQ :center
 Tone:center
 EFX :OFF
 ANTI:OFF
 Eco :MAX

-5.5dBu * D_AMP_L

-5.5dBu * D_AMP_R

