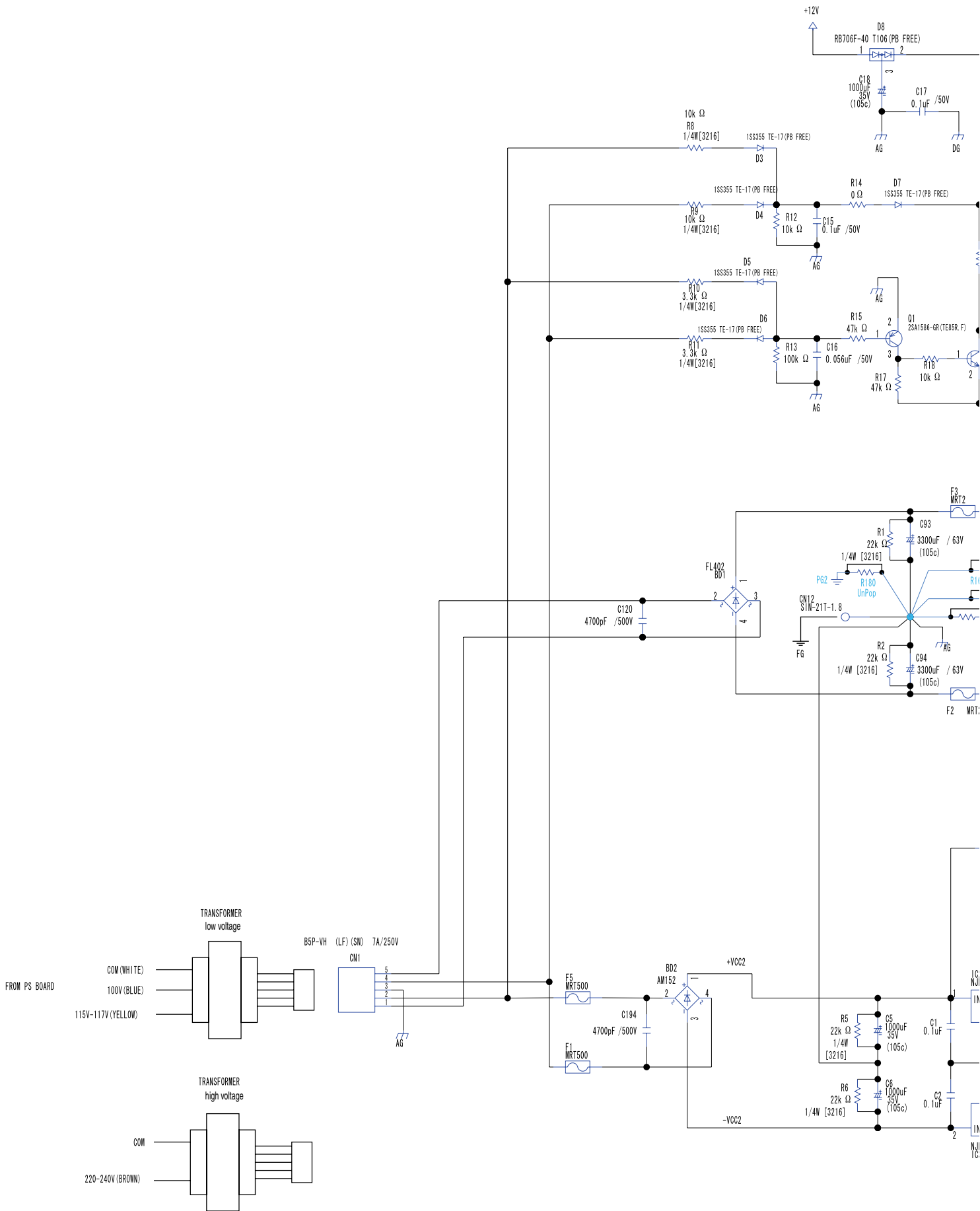
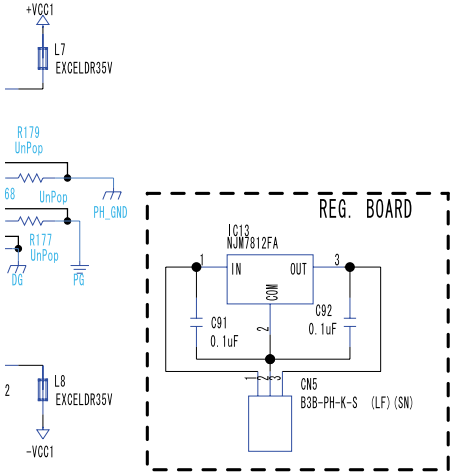
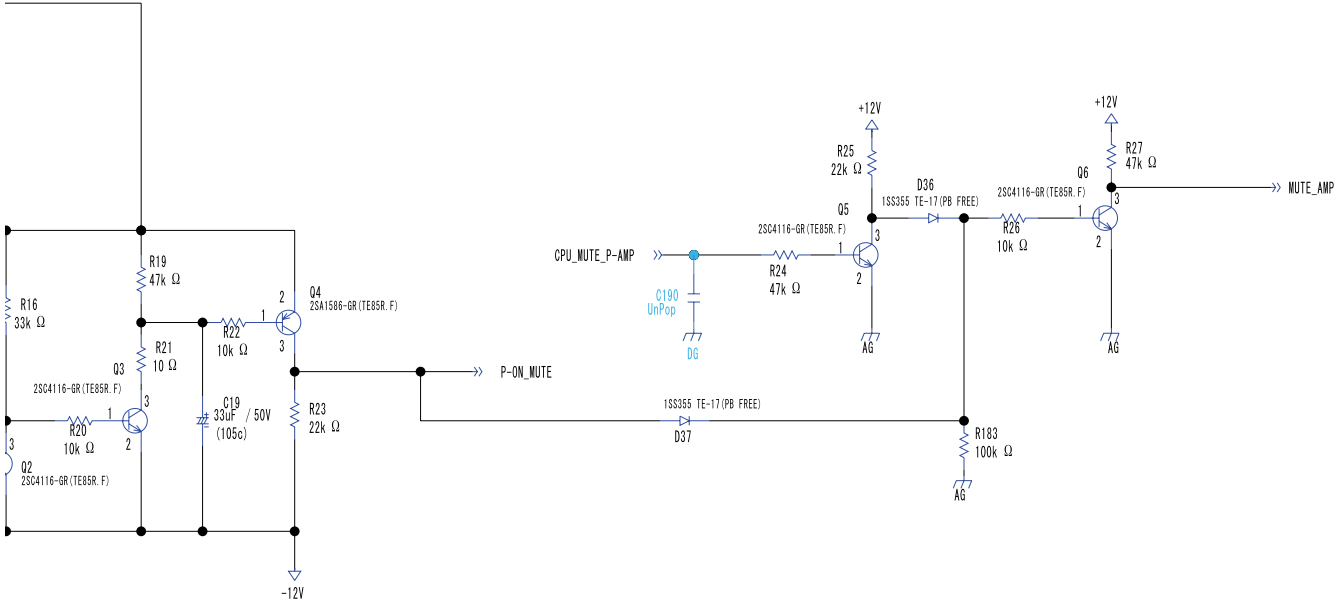
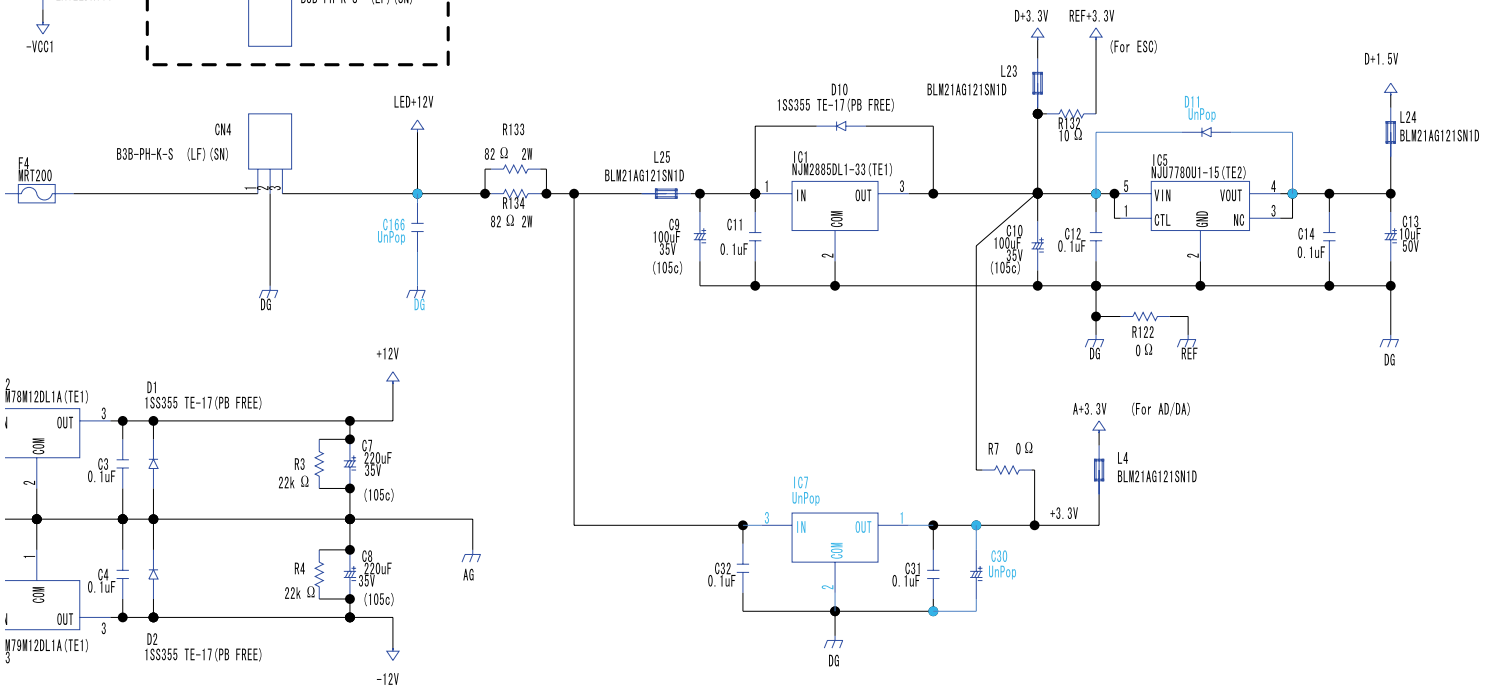


Circuit Diagram (Main Board: Power)



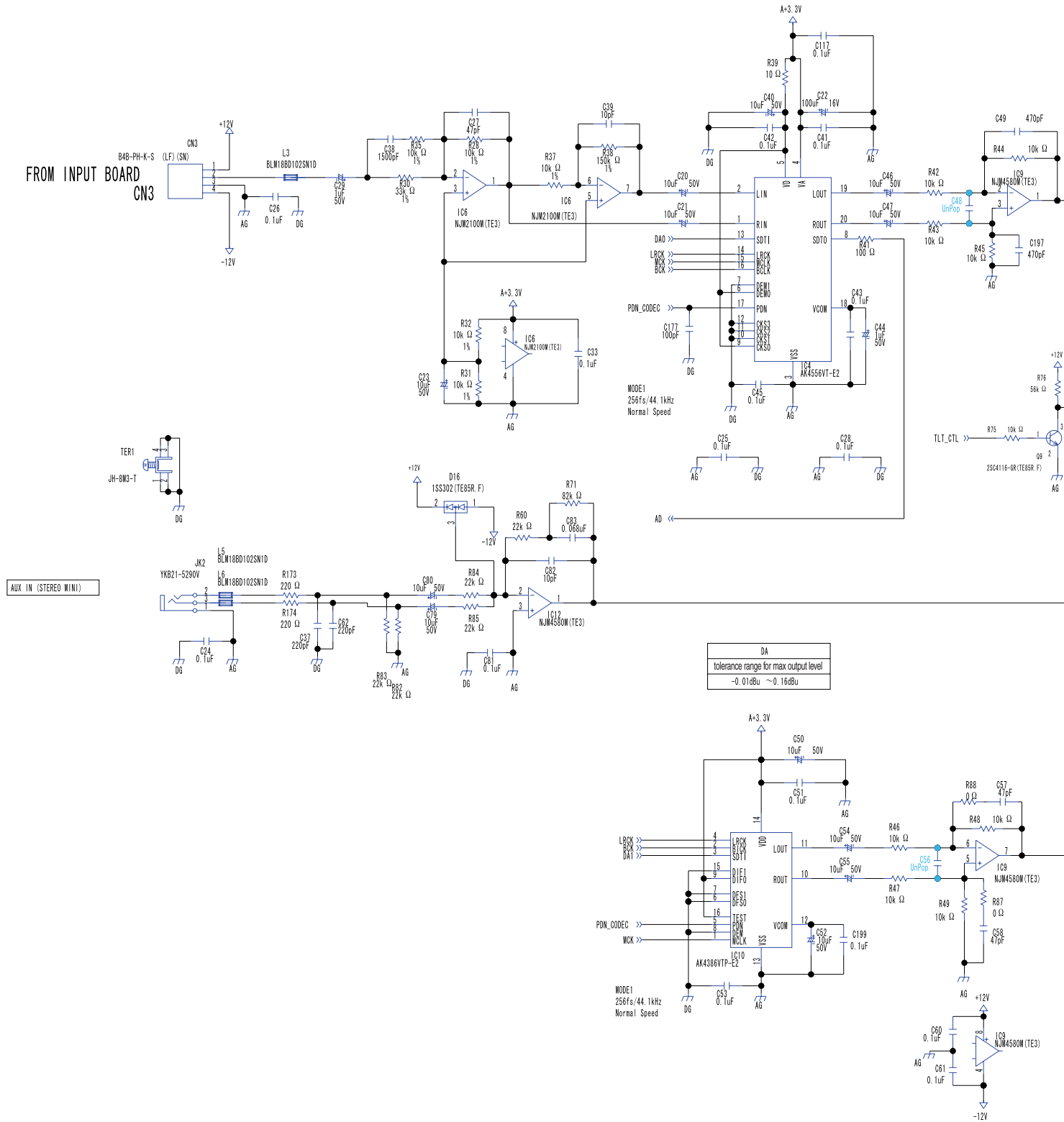


	Non-Clip Full Power		No Signal	
	220V	230V	230V	240V
	AC -20%	AC 0%	AC 0%	AC +15%
VCC1	26.2V	36.0V	45.0V	54.3V
VCC2	14.0V	19.3V	25.3V	29.2V

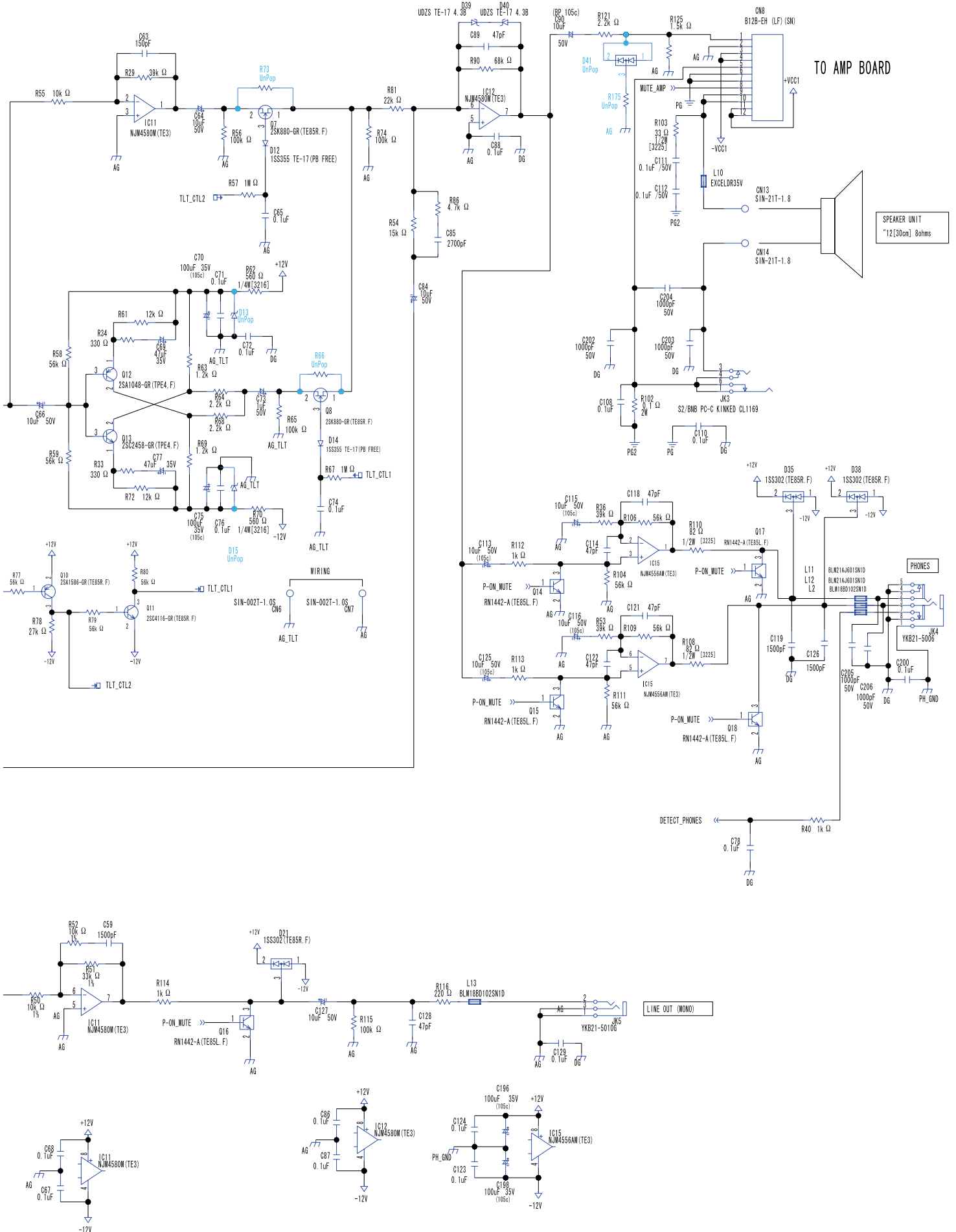


Circuit Diagram (Main Board: Analog)

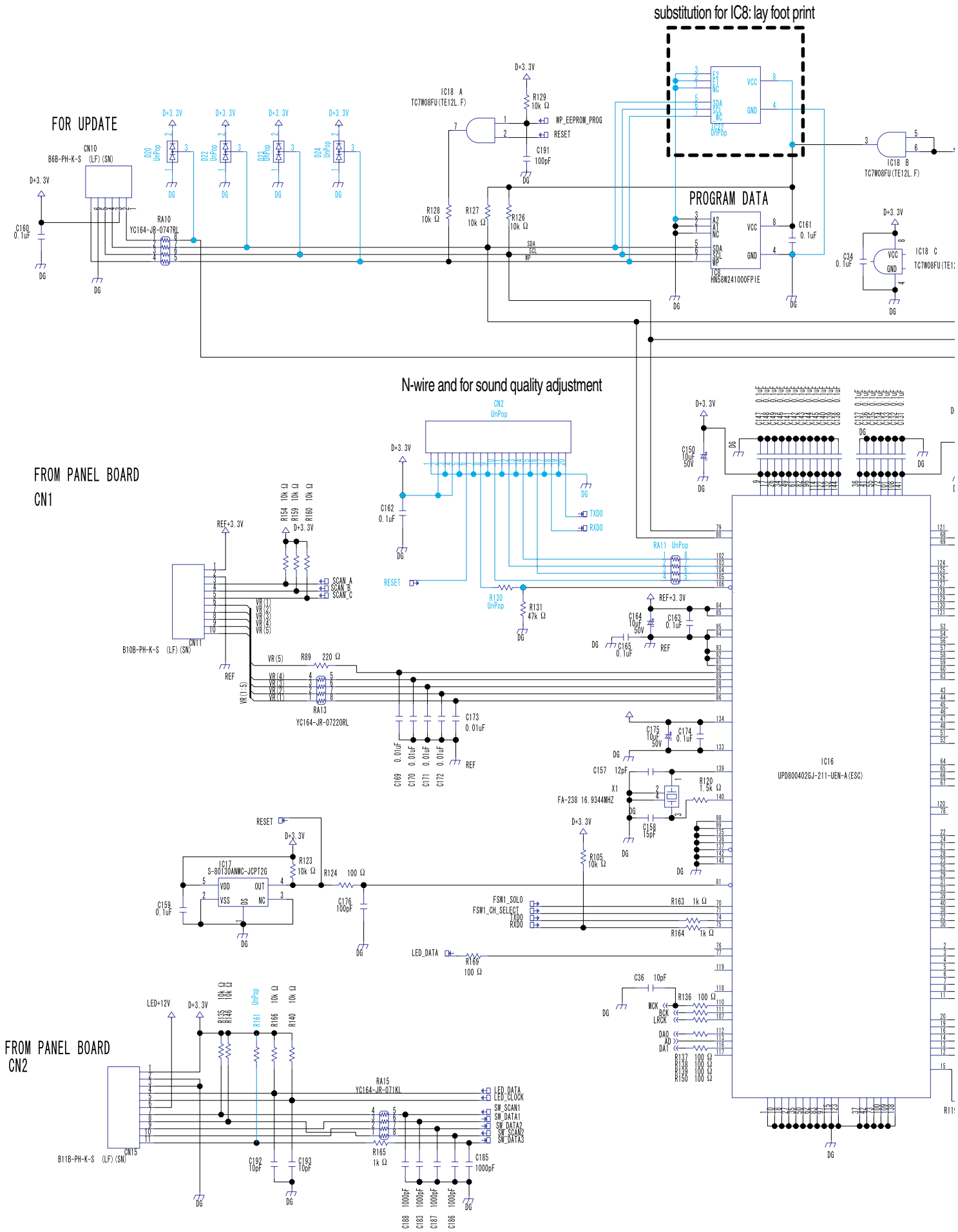
AD	DA
tolerance range for max input level	tolerance range for max output level
0.1148u ~ 0.7988u	0.1148u ~ 0.7988u

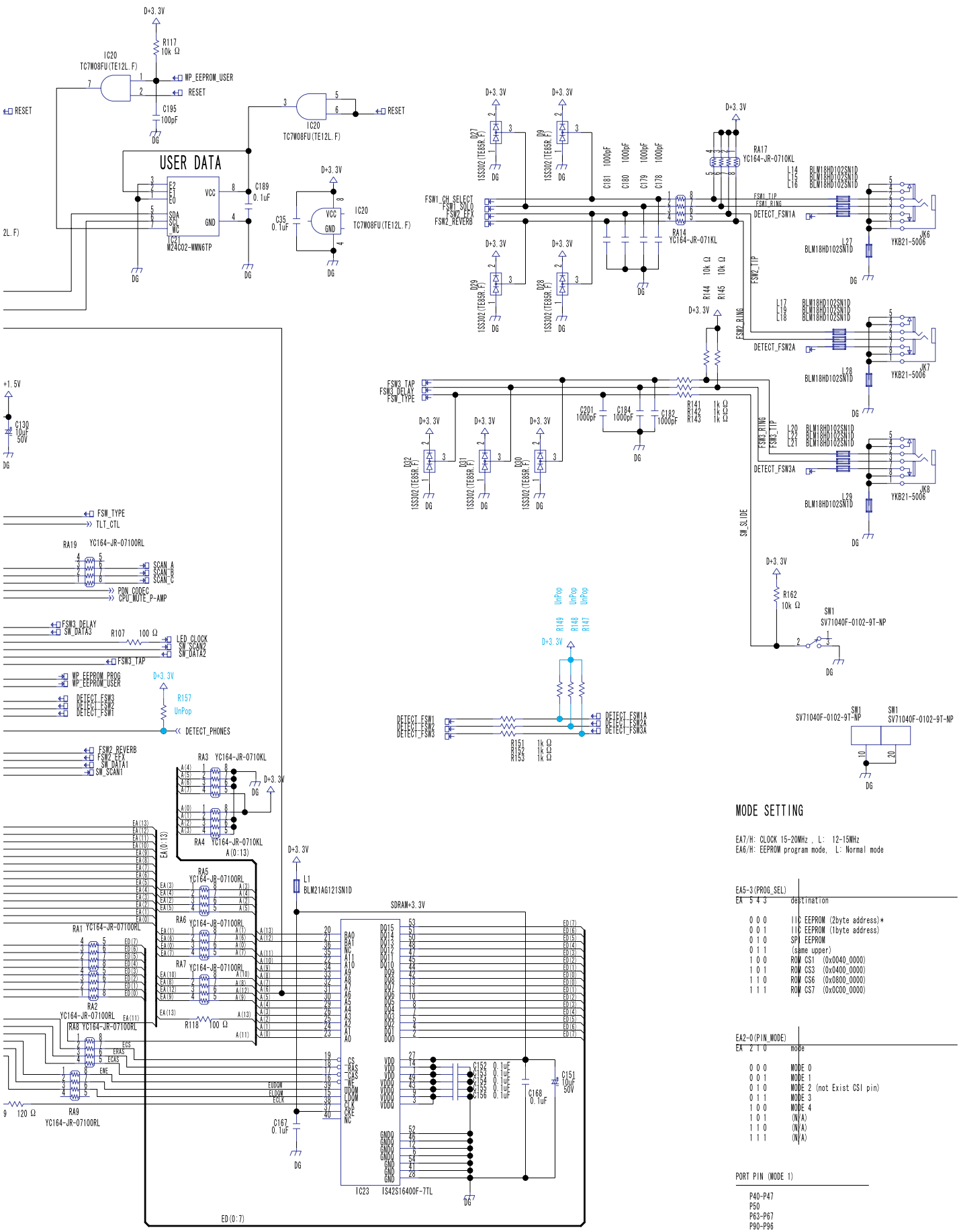


DA
tolerance range for max output level
-0.0148u ~ 0.1648u



Circuit Diagram (Main Board: Digital)





MODE SETTING

EAT/H: CLOCK 15-20MHz, L: 12-15MHz
 EA6/H: EEPROM program mode, L: Normal mode

EA5-3 (PROG_SEL)		operation		
0	0	0	116	EEPROM (2byte address)*
0	0	1	116	EEPROM (1byte address)
0	1	0		SPI EEPROM
0	1	1		(same upper)
1	0	0		ROM CS1 (0x0040_0000)
1	0	1		ROM CS3 (0x0400_0000)
1	1	0		ROM CS6 (0x0800_0000)
1	1	1		ROM CS7 (0x0C00_0000)

EA2-0 (PIN_MODE)		mode	
0	0	0	MODE 0
0	0	1	MODE 1
0	1	0	MODE 2 (not Exist CSI pin)
0	1	1	MODE 3
1	0	0	MODE 4
1	0	1	(N/A)
1	1	0	(N/A)
1	1	1	(N/A)

PORT PIN (MODE 1)

- P40-P47
- P50
- P63-P67
- P90-P96

Circuit Diagram (AMP Board)

