

# DJ-2000 SERVICE NOTES

First Edition

Issued by RJA

## TABLE OF CONTENTS

	Page
SPECIFICATIONS / INPUT AND OUTPUT STANDARD .....	1, 2
PANEL LAYOUT .....	3
EXPLODED VIEW.....	4
PARTS LIST .....	5, 6
IDENTIFYING THE VERSION NUMBER .....	7
TEST MODE .....	7, 8
BLOCK DIAGRAM .....	9
CIRCUIT BOARD	
DSP BOARD ASSY (71018267) .....	10
MIXER BOARD ASSY (71017901) / PHONES BOARD (71017990)	
JACK BOARD A (71017934) / JACK BOARD B (71017967) .....	11
SW BOARD A ASSY (71018278) / SW BOARD B ASSY (71120867) .....	12
PS BOARD 1 ASSY (71019190) / PS BOARD 2 ASSY (71017890) /	
MIDI BOARD ASSY (71120889) / TRANS BOARD ASSY (*****)	13
CIRCUIT DIAGRAM	
DSP BOARD ASSY.....	14
MIXER BOARD ASSY 1/3.....	15
MIXER BOARD ASSY 2/3.....	16
MIXER BOARD ASSY 3/3+PHONES .....	17
JACK BOARD A+JACK BOARD B .....	18
PS1+PS2+TRANS BOARD ASSY .....	19
SW BOARD A ASSY .....	20
SW BOARD B ASSY .....	21
MIDI BOARD ASSY .....	22

## MAIN SPECIFICATIONS/INPUT AND OUTPUT STANDARDS

### Specifications

- Frequency Response..... 20Hz~20kHz ± 1dB(GAIN = min)
- Total Harmonic Distortion..... 0.05% or less(20Hz to 20kHz rated output)
- SN Ratio ..... 80dB(Input terminated with 150Ω, IHF-A, Typ.)
- Crosstalk ..... -70dB or less(1kHz between channels)  
-70dB or less(1kHz between L and R)
- Equalizer ..... HIGH : ± 16dB(12kHz shelving type)  
MID : ± 16dB(2kHz peaking type)  
LOW : ± 16dB(40Hz shelving type)
- Isorator ..... HIGH : -∞~+12dB  
MID : -∞~+12dB  
LOW : -∞~+12dB
- Power..... AC100V(50/60Hz), AC117V, AC230V, AC240V
- Power Consumption ..... 35W
- Dimensions ..... 482.0(W)x310.4(D)x111.9(H)mm (7U)  
19(W)x12-1/4(D)x4-7/16(H) inches
- Weight ..... 6.8kg / 16lbs
- Accessories ..... Owner's Manual English(#71018723)  
AC Cord 100V : (#13499219)  
117V : (#13499220)  
230V : (#13499221)  
240VA : (#13499222)  
Euro Converter Plug (#00905234) 230VE only
- Options ..... Cross Fader for replacing : CFX-1

\* In the interest of product improvement, the specifications and /or appearance of this unit are subject to change without prior notice.

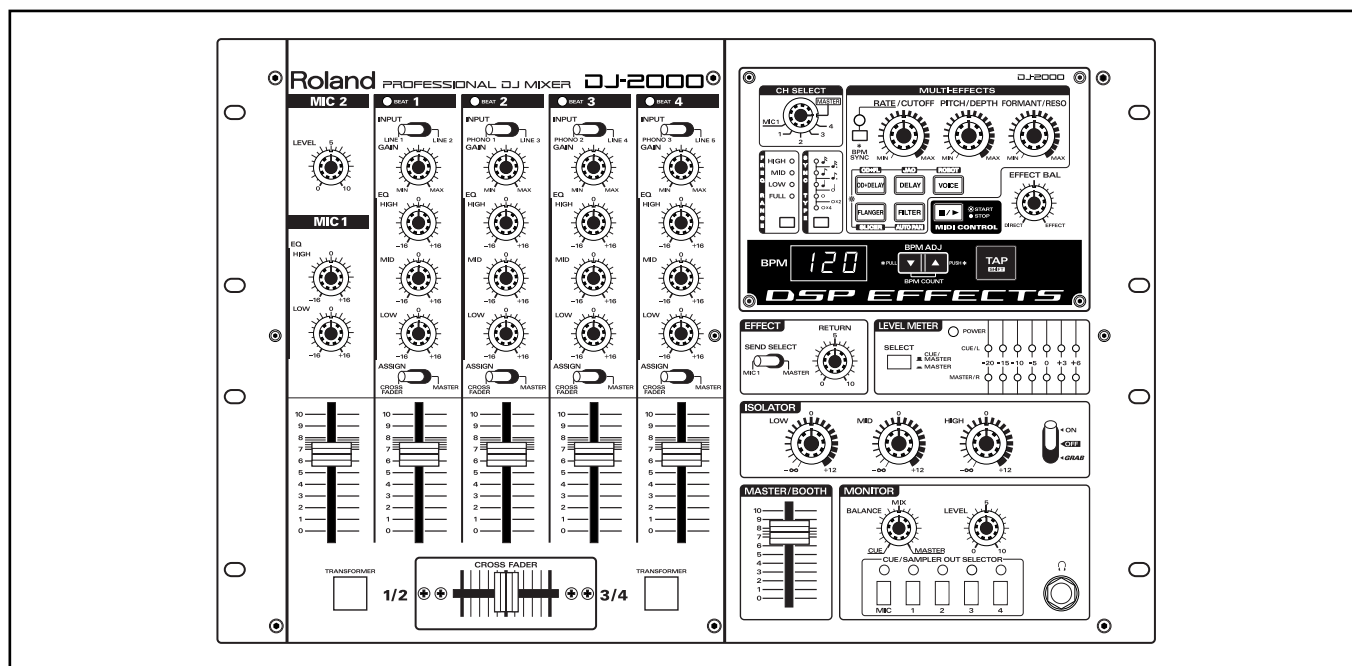
### Input Standard

Input Socket	Rated Input Level	Non-Clip Max, Input	Input Impedance	Type of Connectors
MIC1	-50dBm(2.45mV)	-10dBm(245mV)	2.2kΩ	XLR-3-31 TYPE(UNBAL) 1/4"TRS PHONE(UNBAL)
MIC2	-50dBm(2.45mV)	-10dBm(245mV)	2.2kΩ	1/4"TRS PHONE(UNBAL)
LINE1-5	-20dBm(77.5mV) (GAIN = max) +4dBm(1.23V) (GAIN = min)	0dBm(775mV) (GAIN = max) +24dBm(12.3V) (GAIN = min)	22kΩ	RCA
PHONO1-3	-55dBm(1.38mV) (GAIN = max) -31dBm(22mV) (GAIN = min)	-35dBm(13.8mV) (GAIN = max) -5dBm(138mV) (GAIN = min)	50kΩ	RCA
RETURN	-10dBm(245mV)	+10dBm(2.45V)	100kΩ	1/4" PHONE

### Output Standard

Output Socket	Rated Output Level	Non-Clip Max, Output	Output Impedance	Type of Connectors
MASTER OUT	+4dBm (1.23V) 0 dBm (0.775V)	+20dBm (7.75V) +16dBm (4.89V)	300Ω 2.2kΩ	1/4" PHONE RCA
SEND OUT	-10dBm (245mV)	+10dBm (2.45V)	2.2kΩ	1/4" PHONE
SAMPLER OUT	-10dBm (245mV)	+10dBm (2.45V)	2.2kΩ	RCA
PHONES	-----	1W+1W *1	10Ω	1/4" STEREO PHONE

\* 0dBm=0.775 Vrms \*1: Both Channels 33Ω Loaded



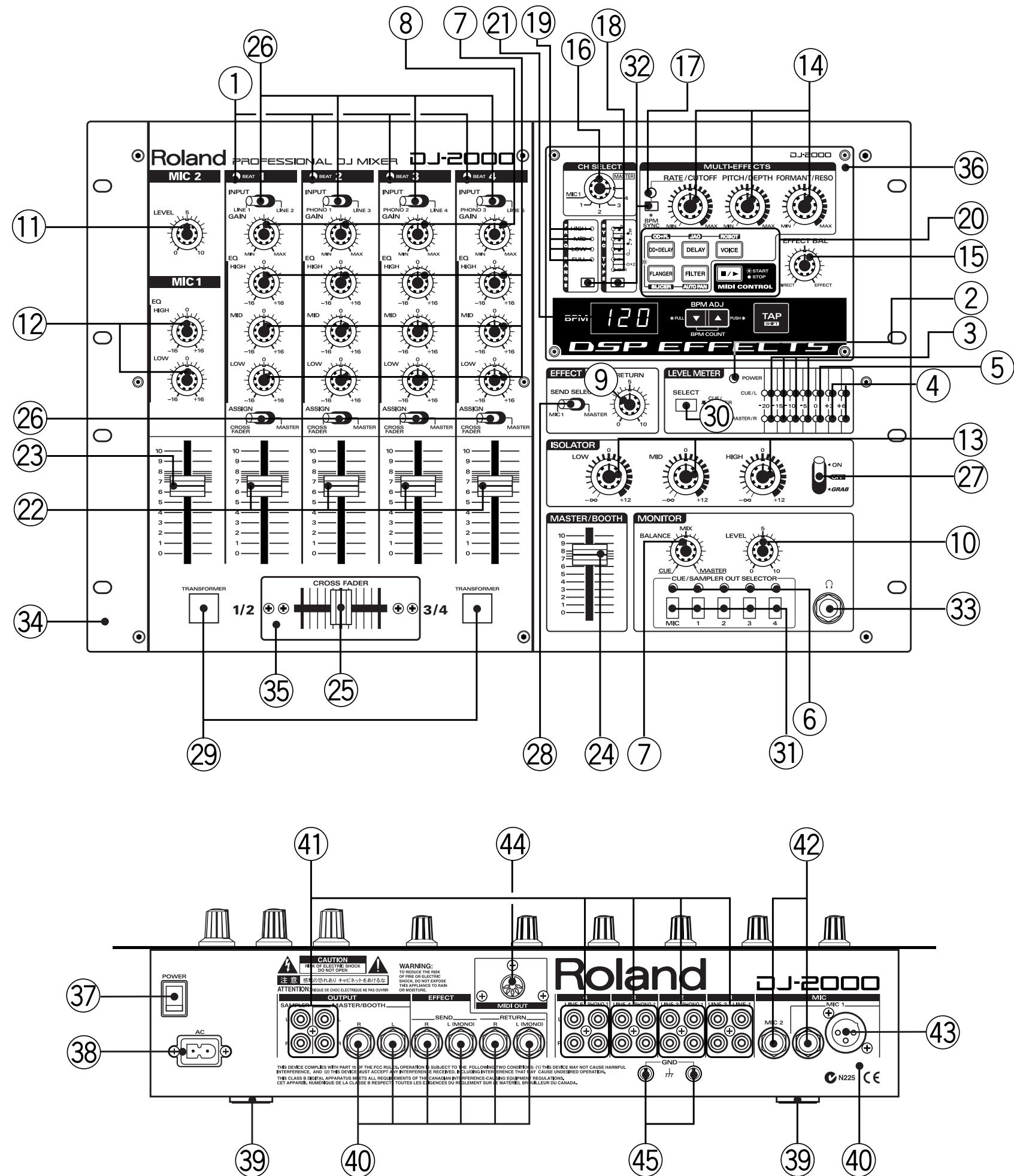
Copyright © 1998 by ROLAND CORPORATION

All rights reserved. No part of this publication may be reproduced in any form without the written permission of ROLAND CORPORATION.

## [PANEL LAYOUT PARTS LIST]

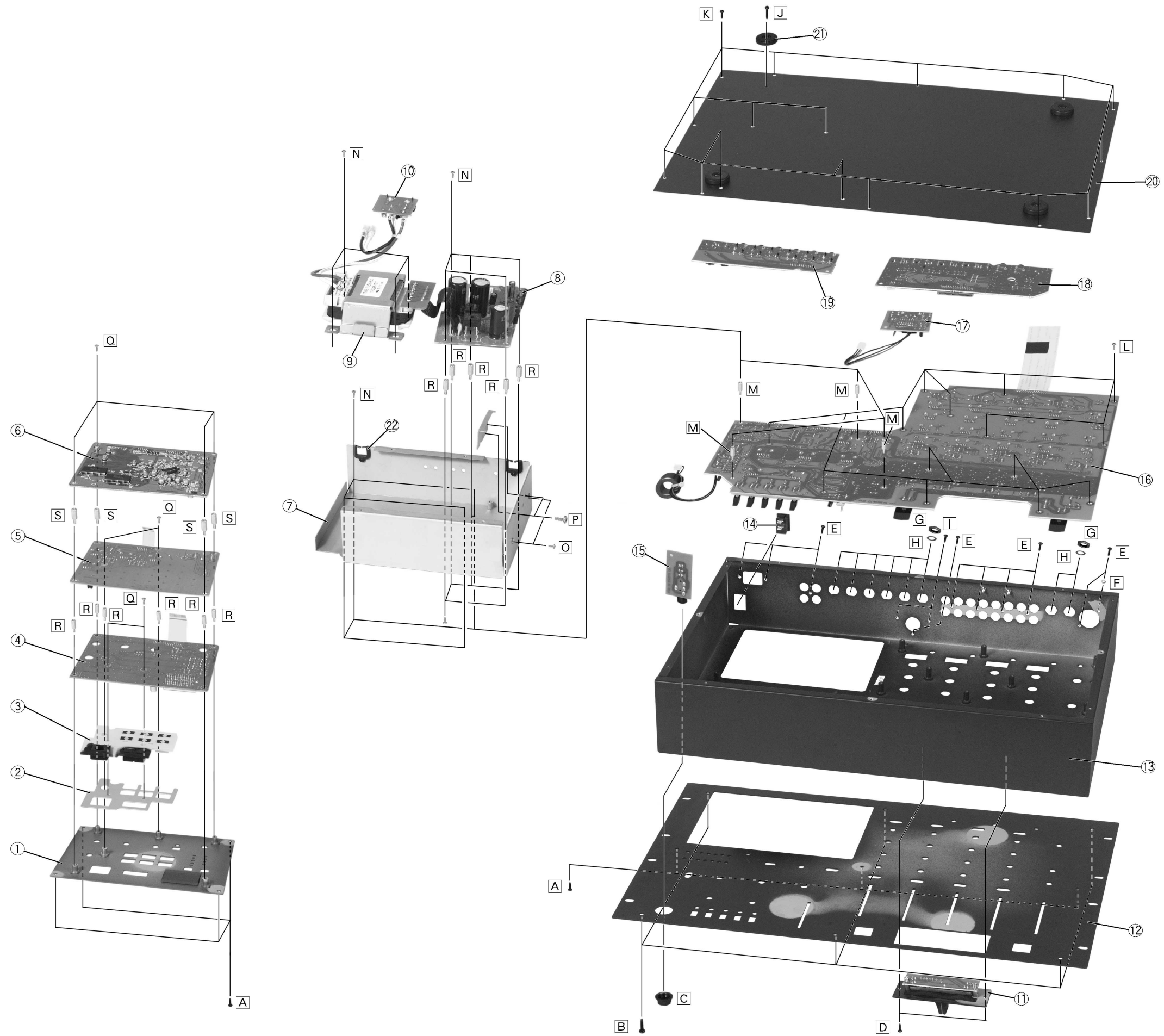
No.	PART No.	PART NAME
①	01451045	LED(GREEN) LN31GPH-(TA5)
②	01451089	LED(RED) LNJ801RFDAE
③	01451056	LED(GREEN) LNJ309GKGAH
④	01451090	LED(RED) LNJ809RKDAH
⑤	01451078	LED(YELLOW) LN409YKXAH
⑥	01451067	LED(YELLOW) LN41YPH-(TA5)
⑦	01451112	12M/M ROTARY POT. EVJY96FB6B24
	01341267	J R-KNOB SF(BLK/RED)
⑧	01451101	12M/M ROTARY POT. EVJY95FB6A15
	01341267	J R-KNOB SF(BLK/RED)
⑨	01451123	12M/M ROTARY POT. EVJY95FB6B54
	01341267	J R-KNOB SF(BLK/RED)
⑩	01451156	12M/M ROTARY POT. EVJY15FB6A24
	01341267	J R-KNOB SF(BLK/RED)
⑪	01451167	9M/M ROTARY POT. EVUF2KFK3C15
	01341267	J R-KNOB SF(BLK/RED)
⑫	01451178	9M/M ROTARY POT. EVUF3KFK3B24
	01341267	J R-KNOB SF(BLK/RED)
⑬	01451134	14M/M ROTARY POT.RK14K12D (TKO05 A-3)
	01452423	J R-KNOB MF BLK RED
⑭	01454778	11M/M ROTARY POT.RK11K114 (TKO10 A-1)
	01452423	J R-KNOB MF BLK RED
⑮	01454789	11M/M ROTARY POT.RK11K114 (TKO10 A-2)
	01341267	J R-KNOB SF(BLK/RED)
⑯	01454767	ROTARY SWITCH SRBV16-F0020-11
	01341267	J R-KNOB SF(BLK/RED)
⑰	15029350	LED(GREEN/RED) LN11WP23
⑱	01454745	LED(RED) LNJ808RKDAG
⑲	01454734	LED(GREEN) LN38GPX-(TA7)
⑳	01457167	LED(RED) LNJ208R8ARA
	01455489	SW HOLDER
	01455490	RUBBER SWITCH
㉑	01454712	LED(SEGMENT) LN534RAMR
	01455501	DISPLAY COVER
㉒	01451189	60M/M SLIDE POT. EWAQ36D20A14
	01455423	POT DUST COVER L
	01452412	J S-KNOB L BLK RED
㉓	01451190	60M/M SLIDE POT. EWAQ1GD20A14
	01455423	POT DUST COVER L
	01452412	J S-KNOB L BLK RED
㉔	01451201	45M/M SLIDE POT. EWAP36D20A14
	01455412	POT DUST COVER S
	01452412	SLIDER KNOB(BLK/RED) J S-KNOB L BLK RED
㉕	01454201	45M/M SLIDE POT. EWAP37D15G54
	01455412	POT DUST COVER S
	01452412	SLIDER KNOB(BLK/RED) J S-KNOB L BLK RED
㉖	01348978	LEVER SWITCH LS001-D22BAB-LFA15B
	01455401	DUST COVER
㉗	01348990	LEVER SWITCH LS001-C23OAB-LFA15B
	01455401	DUST COVER
㉘	01348989	LEVER SWITCH LS001-D42BBB-LFA15B
	01455401	DUST COVER
㉙	01452812	PUSH SW/KEY TOP PS009-PSH022BBT-PA5.5W
㉚	13129375	PUSH SW SPEA12
	22495521	BUTTON
㉛	01451301	PUSH SW SPEA52-* (TKO05 A-5)
	22495521	BUTTON
㉜	01454723	PUSH SW SWITCH ESB64620
	22495572	F S-BUTTON BX MCG
㉝	00569278	6.5MM JACK LGR4609-7000
	22150756	JACK NUT 2
㉞	01455223	FRONT PANEL
㉟	01455278	CROSSFADER PANEL
㊱	01455290	EFFECT PANEL
㊲	01347734	SEESAW SWITCH MSR5-2#1 6A/250V
㊳	23425740	AC INLET INL-8 10A/125V 2P PO
㊴	01455245	BOTTOM COVER
	22355160	FOOT D25 (BASE)
㊵	13449283	6.5MM JACK HLJ7101-01-3010
㊶	13449645	RCA PIN JACK YKC21-3049
㊷	00569278	6.5MM JACK LGR4609-7000
㊸	01239890	XLR CONNECTOR CANNON NC3FAH2-0
㊹	13429672	MIDI JACK YKF51-5047
㊺	01348889	GROUNDING TERMINAL MT-903C
㊻	01455234	BOTTOM CHASSIS

# LOCATION OF CONTROLS





# EXPLODED VIEW



### EXPLODED VIEW PARTS LIST

No.	PART NUMBER	PART NAME
①	01455290	EFFECT PANEL
②	01455489	SW HOLDER
③	01455490	RUBBER SWITCH
④	71018278	SW BOARD A ASSY
⑤	71120867	SW BOARD B ASSY
⑥	71018267	DSP BOARD ASSY
⑦	01455256	TRANS HOLDER
⑧	71017890	PS BOARD 2 ASSY
⑨	01455645	POWER TRANSFORMER UNIVERSAL
⑩	71019190	PS BOARD 1 ASSY HI

NOTE: Replacement PS BOARD 1 ASSY HI is 230V/240V version exclusive use.  
When using PS BOARD 1 ASSY for 100V/117V version, be sure to make the following modifications.

1. Replace fuse to specific one. When necessary, please order it separately from PS BOARD 1 ASSY. See TABLE A.

TABLE A

100V/117V	#12559435	SB500 5x20mm 500mA/250V
230V/240V	#12559540	S504 5x20mm T160mA/250

2. Replace fuse seal to specific one. When necessary, please order it separately from PS BOARD 1 ASSY. See TABLE B.

TABLE B

100V/117V	#40014389	FUSE SEAL [UL 500MA 250V]
230V/240V	#40013589	FUSE SEAL [T160MAL250V]

3. Change the check mark on the PWB as shown in fig.1.

fig.1

230V/240V		100V/117V	
<input type="checkbox"/>	100/117	<input checked="" type="checkbox"/>	100/117
<input checked="" type="checkbox"/>	71018478	<input type="checkbox"/>	71018478
<input checked="" type="checkbox"/>	230/240	<input type="checkbox"/>	230/240
<input type="checkbox"/>	71019190	<input type="checkbox"/>	71019190

⑪ \*\*\*\*\* CROSSFADER UNIT CFX-1  
NOTE: CROSS FADER UNIT CFX-1 is consumable goods.  
When necessary, please replace with the Cross Fader for replacing the DJ-2000(CFX-1;Optionally available).

⑫	01455223	FRONT PANEL
⑬	01455234	BOTTOM CHASSIS
⑭	01347734	SEESAW SWITCH MSR5-2#1 6A/250V
⑮	71017990	PHONES BOARD ASSY
⑯	71017901	MIXER BOARD ASSY
⑰	71120889	MIDI BOARD ASSY
⑱	71017934	JACK BOARD ASSY A
⑲	71017967	JACK BOARD ASSY B
⑳	01455245	BOTTOM COVER
㉑	22355160	FOOT D25
㉒	12159799	EDGE HOLDER

No.	PART NUMBER	PART NAME
A	40239889	TRUSS BUTTON HEAD SCREW S-TITE M3*6 BZC
B	40239890	TRUSS BUTTON HEAD SCREW S-TITE M4*8 BZC
C	22150756	JACK NUT 2
D	40015967	FLAT TAPTITE S 3*6 BZC
E	40011312	BINDING TAPTITE P 3*8 BZC
F	40011934	INTERNAL TOOTH WASHER M9 ZC
G	40016756	JACK NUT HLJ0999-01-360 HEX M1240016712
H	40016712	JACK WASHER 12*18*0.6 BZC
I	40011490	PAN MACHINE SCREW W/SW M3*6 BZC
J	40011101	BINDING TAPTITE B 3*8 BZC
K	40011090	BINDING TAPTITE B 3*6 BZC
L	40013056	PAN MACHINE SCREW W/SW+SMALL PW M3*6 ZC
M	22150524	BOSS NUT M3/M3 L8
N	40017934	PAN MACHINE SCREW W/SW+PW M3*6 ZC
O	40011056	BINDING TAPTITE B 3*6 ZC
P	40012289	BINDING TAPTITE B 3*16 ZC
Q	40012867	PAN MACHINE SCREW W/SW+PW M3*8 ZC
R	01458590	BOSS NUT M3/M3 L8.5
S	22153526	BOSS NUT M3/M3 L12

### PARTS LIST

**SAFETY PRECAUTIONS:**

The parts marked  $\Delta$  have safety-related characteristics.  
Use only listed parts for replacement.

**CONSIDERATIONS ON PARTS ORDERING**

When ordering any parts listed in the parts list, please specify the following items in the order sheet.

QTY	PART NUMBER	DESCRIPTION	MODEL NUMBER
Ex. 10	22575241	Sharp Key	C-20/50
15	2247017300	Knob (orange)	DAC-15D

Failure to completely fill the above items with correct number and description will result in delayed or even undelivered replacement.

NOTE: The parts marked # are new (initial parts)

MB	====>	MAIN BOARD	IB	====>	IF BOARD	SCB	====>	SCSI BOARD
SB	====>	SW BOARD	EB	====>	ENC BOARD			

**CASING**

#	01455223	FRONT PANEL	
#	01455234	BOTTOM CHASSIS	
#	01455245	BOTTOM COVER	
#	22355160	FOOT D25	
#	01455278	FADER PANEL	CROSS FADER
#	01455290	EFFECT PANEL	
#	01455501	DISPLAY COVER	

**CHASSIS**

#	01455256	TRANS HOLDER	PS ASSY
#	01455489	SW HOLDER	EFFECT ASSY
#	00782734	IC HOLDER	PS ASSY

**KNOB, BUTTON**

#	01341267	J R-KNOB SF BLK/RED	GAIN, EQ, MIC2, RETURN, MONITOR, CH SELECT, EFFECT BAL
#	01452423	J R-KNOB MF BLK RED	ISOLATOR, RATE, PITCH, FORMANT
#	01452412	J S-KNOB L BLK RED	FADER
#	22495521	BUTTON	CUE SELECT, METER SELECT
#	22495572	F S-BUTTON BX MCG	FREQ RANGE, SYNC TYPE, BPM SYNC
#	01455490	RUBBER SWITCH	EFFECT

**SWITCH**

#	$\Delta$ 01347734	MSR5-2#1 6A/250V	Seesaw SWITCH	(POWER)
#	01348978	LS001-D22BAB-LFA15B	Lever SWITCH	SW101, SW103, SW201, SW203, SW301, SW303, SW401, SW403 on MX (INPUT, ASSIGN)
#	01348990	LS001-C23OAB-LFA15B	Lever SWITCH	SW701 on MX (ISOLATOR)
#	01348989	LS001-D42BBB-LFA15B	Lever SWITCH	SW702 on MX (SEND SELECT)
#	13129375	SPEA12 2 CIRCUIT	Push SWITCH	SW704 on MX (METER)
#	01451301	SPEA52-* (TKO05 A-5)	Push SWITCH	SW705 on MX (CUE)
#	01452812	PS009-PSH022BBT-PA5.5W	Push SWITCH	SW1001-1002 on MX (TRANSFORMER)
#	01454723	ESB64620 Push SWITCH		SW1-3 on SWA (FREQ RANGE, SYNC TYPE, BPM SYNC)
#	01454767	SRBV16-F0020-11	Rotary SWITCH	SW4 on SWB (CH SELECT)

**JACK, SOCKET**

#	01239890	NC3FAH2-0	XLR JACK	JK6 on JKA (MIC1)
#	13449645	YKC21-3049	PIN JACK	JK1-2, JK4, JK7 on JKA, JK8 on JKB
#	13429672	YKF51-5047	MIDI JACK	JK2 on MIDI
#	00569278	LGR4609-7000	PHONE JACK	JK3, JK5 on JKA, JK1001 on PH (MIC1, MIC2, PHONES)
#	13449283	HLJ7101-01-3010	PHONE JACK	JK9-14 on JKB (MASTER, SEND, RETURN)

**PCB ASSY**

E	71018267	DSP BOARD ASSY	
	71017901	MIXER BOARD ASSY	
	71017934	JACK BOARD A ASSY	
	71017967	JACK BOARD B ASSY	
	71017990	PHONES BOARD ASSY	
	71019190	PS-1 BOARD ASSY HI	
		NOTE: Replacement PS BOARD 1 ASSY HI is 230V/240V version exclusive use. When using PS BOARD 1 ASSY for 100V/117V version, be sure to make the following modifications.	

1. Replace fuse to specific one.  
When necessary, please order it separately from PS BOARD 1 ASSY. See TABLE A.

TABLE A

100V/117V	#12559435	SB500 5x20mm 500mA/250V
230V/240V	#12559540	S504 5x20mm T160mA/250

2. Replace fuse seal to specific one.  
When necessary, please order it separately from PS BOARD 1 ASSY. See TABLE B.

TABLE B

100V/117V	#40014389	FUSE SEAL [UL 500MA 250V]
230V/240V	#40013589	FUSE SEAL [T160MAL250V]

3. Change the check mark on the PWB as shown in fig.1.

fig.1

230V/240V		100V/117V	
<input type="checkbox"/>	100/117	<input checked="" type="checkbox"/>	100/117
<input checked="" type="checkbox"/>	230/240	<input type="checkbox"/>	230/240
<input type="checkbox"/>	71018478	<input type="checkbox"/>	71018478
<input type="checkbox"/>	71019190	<input type="checkbox"/>	71019190

71017890 PS-2 BOARD ASSY



NOTE: PS-2 BOARD ASSY includes TRANS BOARD ASSY.

71120889 MIDI BOARD ASSY  
71018278 SW BOARD A ASSY  
71120867 SW BOARD B ASSY

\*\*\*\*\* CROSS FADER UNIT CFX-1  
NOTE: CROSS FADER UNIT CFX-1 is consumable goods.  
When necessary, please replace with the Cross Fader for replacing the DJ-2000.  
(CFX-1;Optionally available)

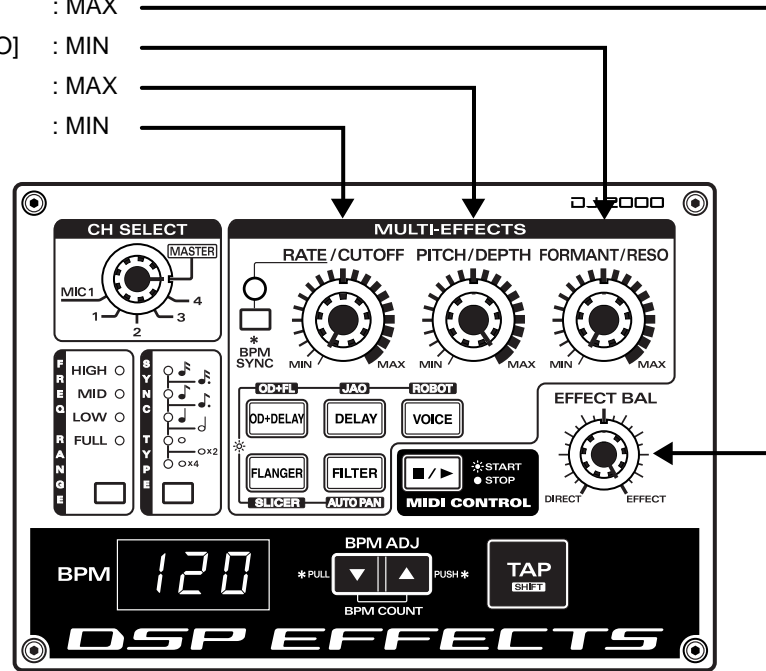
IC			
#	01340078	HD6433040SA00F	IC CPU
	01236401	TMS5707FFT	IC DSP
	01126767	UDA1309H IC AD/DA	IC16 on DSP
	01349178	NN614260J-60T	IC DRAM
	*****	LH28F400SUT	FLASH Memory
	15289123	M51953AFP	Reset IC (chip)
	15169334H0	HD74LS05P	Gate IC
	15249111	TC7WU04F	Gate IC (chip)
	00127490	TC7W08F	Gate IC (chip)
	00232634	TC7W74F	Gate IC (chip)
	15259738T0	TC74HC138AF	Gate IC (chip)
#	01454667	BA6137	IC LED Driver
	15289154	UPC4072G2	IC OP-Amp (flat)
	15289105	UPC4570G2	IC OP-Amp (flat)
	15189189	UPC4570HA	IC OP-Amp
Δ	01129078	AN7715F	IC +15V Voltage Regulator
Δ	15199134	AN7915F	IC -15V Voltage Regulator
Δ	15199294	AN7705F	IC +5V Voltage Regulator
	15289402	TA78L05F	IC +5V Volatage Regulator (chip)
TRANSISTOR			
	15119615	2SB647C	TRANSISTOR
	15129623	2SD667C	TRANSISTOR
	15309104	2SA1586-GR	TRANSISTOR(chip)
	15319107	2SC4116-GR	TRANSISTOR(chip)
	15319105	2SC3326-A	TRANSISTOR(chip)
	15329103T0	2SK880-GR	TRANSISTOR FET (chip)
	15309101	2SA1037KR	TRANSISTOR(chip)
	15319101	2SC2412KR	TRANSISTOR(chip)
	15319102	2SC2882-Y	TRANSISTOR(chip)
	15119132	2SA1015-GR	TRANSISTOR
DIODE			
Δ	15039166	S2VB20-4001L15 2A/200V	BRIDGE DIODE
Δ	15039172	S4VB20-4001L15 3.9A/200V	BRIDGE DIODE
	15039159T0	S5688G	DIODE
	15019126	1SS133	DIODE
	15019145	1SS133	DIODE
	15019181	1SS254	DIODE
	15339412	U1BC44	DIODE (chip)
	15339105	DAN202K	DIODE Array (chip)
	15339108	DA204K	DIODE Array (chip)
	15339119T0	1SS352	DIODE (chip)
LED			
#	01451045	LN31GPH	LED(Green)
#	01451067	LN41YPH	LED(Yellow)
#	01451056	LNJ309GKGAH	LED(Green)
#	01451078	LNJ409YKXAH	LED(Yellow)
#	01451090	LNJ809RKDAH	LED(Red)
#	01451089	LNJ801RFDAAE	LED(Red)
#	01454712	LN534RAMR	7seg LED(Red)
#	01454734	LN38GPX	LED (Green)
#	01454745	LNJ808RKDAG	LED (Red)
#	15029350	LN11WP23	LED (Red+Green)
#	01457167	LNJ208R8ARA	LED (Red) chip
RESISTOR ARRAY			
	15399965	RCE9A103JAG7A	RESISTOR ARRAY(chip)
	00346690	RCE9A682JAG7A	RESISTOR ARRAY(chip)
	15399997	RCB8C101J5	RESISTOR ARRAY(chip)
	15399957	RCB8C103J5	RESISTOR ARRAY(chip)
POTENTIOMETER			
#	01451101	EVJY95FB6A15	12MM ROTARY POTENTIOMETER
#	01451112	EVJY96FB6B24	12MM ROTARY POTENTIOMETER
#	01451123	EVJY95FB6B54	12MM ROTARY POTENTIOMETER
#	01451156	EVJY15FB6A24	12MM ROTARY POTENTIOMETER
#	01451167	EVUF2KFK3C15	9MM ROTARY POTENTIOMETER
#	01451178	EVUF3KFK3B24	9MM ROTARY POTENTIOMETER
#	01454778	RK11K114 (TKO10 A-1)	11MM ROTARY POTENTIOMETER
#	01454789	RK11K114 (TKO10 A-2)	11MM ROTARY POTENTIOMETER
#	01451134	RK14K12D (TKO05 A-3)	14MM ROTARY POTENTIOMETER
#	01451189	EWAQ36D20A14	60MM SLIDE POTENTIOMETER
#	01451190	EWAQ1GD20C15	60MM SLIDE POTENTIOMETER
#	01451201	EWAQ36D20A14	45MM SLIDE POTENTIOMETER
#	01454201	EWAQ37D15G54	45MM SLIDE POTENTIOMETER
CAPACITOR			
Δ	01453278	DE1307E 472M-KH	Ceramic Capacitor
	13529264	ECKDAE472ZV	Ceramic Capacitor
INDUCTOR, COIL, FILTER			
	12449355	FBR07HA850TB00	Ferrite Beads
	12449323	ESD-R-25SD	Ferrite CorePhones Wiring
CRYSTAL, RESONATOR			
	00901912	MA-406 24.576MHZ	CRISTAL
	00894034	MA-406 16.000MHZ	CRISTAL

FUSE, FUSE HOLDER			
Δ	12559435	SB 500 500MA/250V	FUSE 5x20 500mA/250V
Δ	12559540	S504 160MA T160MAL250V	FUSE 5x20 T160mA/250V
Δ	12189823	CNT47-0003A	FUSE HOLDER
			for 100V/117V for 230V/240V on PS1
CONNECTOR			
	13369925	53253-0310	CONNECTOR
	13369926	53253-0410	CONNECTOR
	13369929	53253-0710	CONNECTOR
	13369932	53253-1010	CONNECTOR
	13369934	53253-1210	CONNECTOR
	13369939	53254-0310	CONNECTOR
	13369940	53254-0410	CONNECTOR
	13369942	53254-0610	CONNECTOR
	13369943	53254-0710	CONNECTOR
#	13369946	53254-1010	CONNECTOR
	13429301	51048-1200	CONNECTOR
	13369669	S9B-PH-K-S	CONNECTOR
#	01456567	IL-FPC-10SL-N	CONNECTOR
	13379157	IL-FPC-16SL-N	CONNECTOR
#	01120345	IL-FPC-28SL-N	CONNECTOR
#	01120356	IL-FPC-28ST-N	CONNECTOR
			CN3 on PS2, CN6 on JKA, CN1002 on PH CN5 on PS2 CN704 on MX, CN2 on PS2 CN4 on PS2 CN701 on MX, CN3 on JKB CN9 on DSP CN1 on DSP, CN11 on SWA CN8 on DSP CN10 on SWB CN4 on DSP CN1 on PS2, CN6 on TR CN1001 on CF CN7 on DSP, CN7 on SWB CN2 on DSP, CN13 on SWA CN7 on JKA CN712 on MX
WIRING, CABLE			
#	01454990	12X180-P2.0-51065-51065-F	WIRING
#	01455012	10X200-P2.0-51065-51065-F	WIRING
#	01455067	7X180-P2.0-51065-51065-F	WIRING
#	01455078	3X180-P2.0-51065-51065-F	WIRING
#	01560990	4X200-P2.0-51065-51065-F	WIRING
#	01565767	3*270-P2.0-51065-51015-R	WIRING
#	01455034	9X150-P2.0-PH-51015-F	WIRING
#	01560945	10X50-A5.0 BBR-P1.25-HBL8	FUJI CARD
#	01560967	16X50-A5.0 BBR-1.25-HBL8	FUJI CARD
#	01560978	28X200-A6.0 BBR-P1.25-HBL10	FUJI CARD
#	01455089	W7	WIRING
#	01455101	W8	WIRING
#	01455134	W9	WIRING
#	01561012	W11	WIRING
#	01561023	W12	WIRING
#	01672734	W13	WIRING
#	00890734	12X100-P2.0	RIBON CABLE
			(MX to JKB) (PS2 to DSP) (PS2 to MX) (PS2 to JKA) (PS2 to SWA) on MX (to PH) on MX (to CF) (DSP to SWB) (DSP to SWA) (MX to JKA) on MX (to DSP and SWB) on PS1 (to Power SW), Black on PS1 (to Power SW), Brown on PS1 (to Power Trans), Brown on PS1 (to Power Trans), White on MIDI (to DSP) on PS2 and TR
TRANSFORMER			
#	Δ	01455645	01455645U0 UNIVERSAL
			POWER TRANSFORMER
AC INLET			
	23425740	INL-8 10A/125V 2P PO	AC INLET
			JK1 on PS1
SCREW			
Δ	40011090	Binding Tapitite B 3x6 BZC	
	40011101	Binding Tapitite B 3x8 BZC	
	40012289	Binding Tapitite B 3x16 ZC	
	40011056	Binding Tapitite B 3x6 ZC	
	40011312	Binding Tapitite P 3x8 BZC	
#	40239889	Button-Trus Tapitite S M3x6 BZC	
#	40239890	Button-Trus Tapitite S M4x8 BZC	
	40015967	Flat Tapitite S 3x6 BZC	
	40011490	Sems Screw M3x6 BZC	
	40013056	Pan Machine Screw W/SW+Small PW M3*6 ZC	
	40017934	W Sems Screw M3x6 ZC	
	40012867	W Sems Screw M3x8 ZC	
	22150756	JACK NUT 2	
#	22150524	BOSS NUT M3/M3 L8	
#	22153526	BOSS NUT M3/M3 L12	
#	01458590	BOSS NUT M3/M3 L8.5	
	40011789	Hex Nut M3 ZC	
	40016712	Jack Washer 12x18x0.6 BZC	
	40016756	Jack Nut HLJ0999-01-0360 M12	
	40011878	External Tooth Washer M3 ZC	
	40011934	Internal Tooth Washer M3 BZC	
			for XLR, Pin Jack, MIDI Jack, AC INLET for Crossfader Unit for Headphones Jack EFFECT ASSY EFFECT ASSY for Phono Earth for Phono Earth for XLR Gnd
PACKING			
#	01455456	PACKING CASE	for Packing
#	01561534	UPPER PAD	
#	01561545	SUB PAD	
#	01561556	BOTTOM PAD	
#	01561567	SIDE PAD	
#	40123401	VINYL BAG 0.05*600*460	
MISCELLANEOUS			
#	01455267	HEATSINK	
	12159799	EHS-11U	
#	01348889	MT-903C	EDGE HOLDER
	12199584	M1698	GROUNDING TERMINAL
	01569934	VR SPACER	GROUNDING TERMINAL
#	01455401	DUST COVER SW	
#	01455412	POT DUST COVER S	
#	01455423	POT DUST COVER L	
	40016523	Inshlock Tie 100mm T-18R	
#	40014389	FUSE SEAL UL 500MA 250V	
#	40013589	FUSE SEAL T160MAL250V #397	
			on PS1 for 100V/117V on PS1 for 230V/240V
ACCESSORIES(Standard)			
#	71018234	OWNER'S MANUAL SET Japanese	
#	71018723	OWNER'S MANUAL SET English	
Δ	13499219	DC-382-J01 VFF2P	AC CORD SET 100V
Δ	13499220	UC-713-J01 SJT2P18AWG60	AC CORD SET 120V
Δ	13499221	EC-511-E07 H03/VH2-F 2P	AC CORD SET 230V
Δ	13499222	SC-078-J02 ES206-75HMA	AC CORD SET 240VA
Δ	00905234	ECP01-5A	EURO CONVERTER PLUG
			for 230V E

## IDENTIFYING THE VERSION NUMBER

1. Set the each potentiometers as follows.

- [EFFECT BAL] : MAX
- [FORMANT / RESO] : MIN
- [PITCH / DEPTH] : MAX
- [RATE / CUTOFF] : MIN



2. Turn the power on, while holding down the [TAP] button.



\*In the case of version number is 1.01.

The software program version will be displayed on the display and it will blink few times. Next, DJ-2000 get back to normal mode automatically.

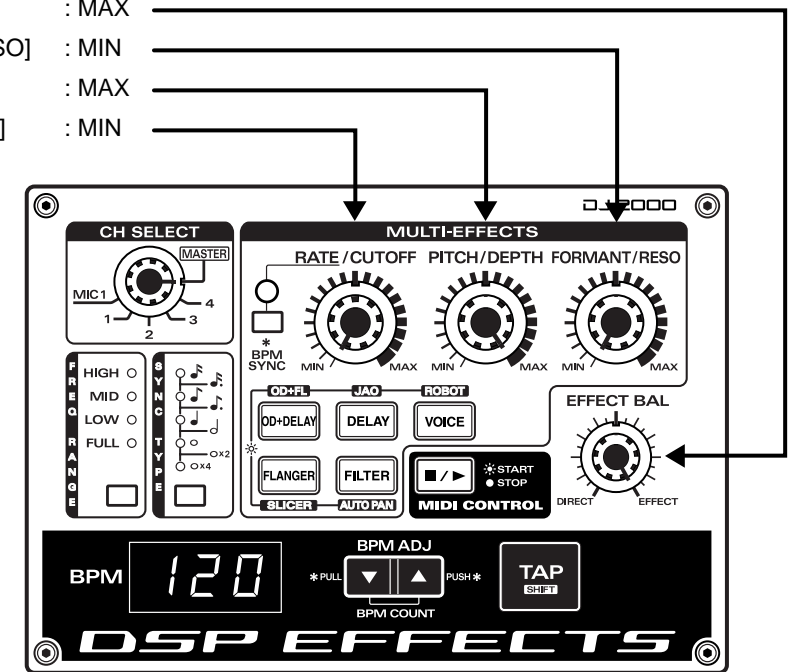
## TEST MODE

This test mode is for DSP EFFECT Board.

● Entering test mode

Set the each potentiometers as follows.

- [EFFECT BAL] : MAX
- [FORMANT / RESO] : MIN
- [PITCH / DEPTH] : MAX
- [RATE / CUTOFF] : MIN



Turn the power on, while holding down the [TAP] button and [FREQ RANGE] button.

DJ-2000 will enter the test mode and the software program version will be displayed on the display and it will blink few times.



At the same time, DRAM check runs automatically. If the function are normal, LED TEST stars automatically. (It takes about 3 sec.)

### 1. DRAM TEST

When entering the test mode, DRAM TEST runs automatically. And if the function are normal, the software program version will displayed on the 7seg LED for the few seconds, and next test starts automatically.

If the problem is found in DRAM, the following display will appear and the test mode stop.



**CHECK:**

Inspect the signal path of the ADDRESS/DATA BUS for short circuit, cold joint or break in a trace.

**2. LED TEST**

When entering the LED TEST, LEDs light up and down automatically by the following order. Check that all LEDs turn on normally.

[FREQ RANGE] (4 red LEDs) → [SYNC TYPE](5 green LEDs) → [BPM SYNC] (red and green) → [OD+DELAY]→[DELAY]→[VOICE]→[FLANGER]→[FILTER]→[■/▶]→7-seg LED  
After that, all LEDs blink at the same time twice, and DJ-2000 repeat the same operation.

If all LEDs are normal, press the [TAP] button to advance to next test.

**3. SWITCH TEST**

Check the operation of all switches in the following order. Press the following buttons, and confirm that the corresponding LEDs go dark.

Names of switches	Corresponding LEDs
[FREQ RANGE]	FREQ RANGE (4 LEDs)
[SYNC TYPE]	SYNC TYPE (5 LEDs)
[BPM SYNC]	BPM SYNC
[OD+DELAY ]	OD+DELAY
[DELAY ]	DELAY
[VOICE ]	VOICE
[FLANGER]	FLANGER
[FILTER]	FILTER
[■/▶]	■/▶
[BPM ADJ (▼) ]	display of the left end of the 7seg-LEDs changes "o" to "_".
[BPM ADJ (▲) ]	display of the middle of the 7seg-LEDs changes "o" to "_".

(If you press the [TAP] button, you will advance to the next test.)

If all LEDs are normal, press the [TAP] button to advance to next test.

**4. VR TEST**

Rotate the each of four potentiometers, [RATE/CUT OFF], [PITCH/DEPTH], [FORMANT/RESO], [EFFECT BAL] MIN to MAX and confirm that the value in the 7-seg LEDs changes from 0 to 255.

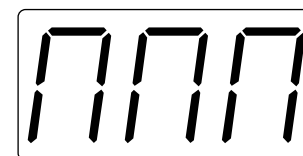
While operating the each pot., corresponding LED lights up.

Names of potentiometer	Corresponding LEDs
[RATE/CUT OFF]	: OD+DELAY
[PITCH/DEPTH]	: DELAY
[FORMANT/RESO]	: VOICE
[EFFECT BAL]	: ■/▶

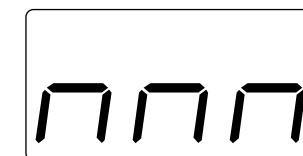
If all the potentiometers are normal, press the [TAP] button to advance to next test.

**5. BPM TEST**

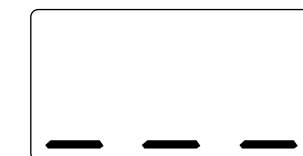
Input the 100Hz of the requtangular wave (or music) to the Input and rotate the GAIN knob of the MIXER section MAX to MIN. Check that the display changes as follows.



Input level:MAX.



Input level:MID.

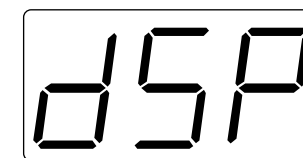


Input level:MIN

If the function are normal, press the [TAP] button to advance to next test.

**6. DSP TEST**

When entering the DSP TEST, the following display will appear.



Input the SIN wave (or music) to the [Input] ,and confirm that the same SIN wave (or music) is output from the [output] after a 1.5 sec.delay. This test checks the operation of the DRAM. by reading out a 1.5 sec.delay wave that was wrote to the DRAM

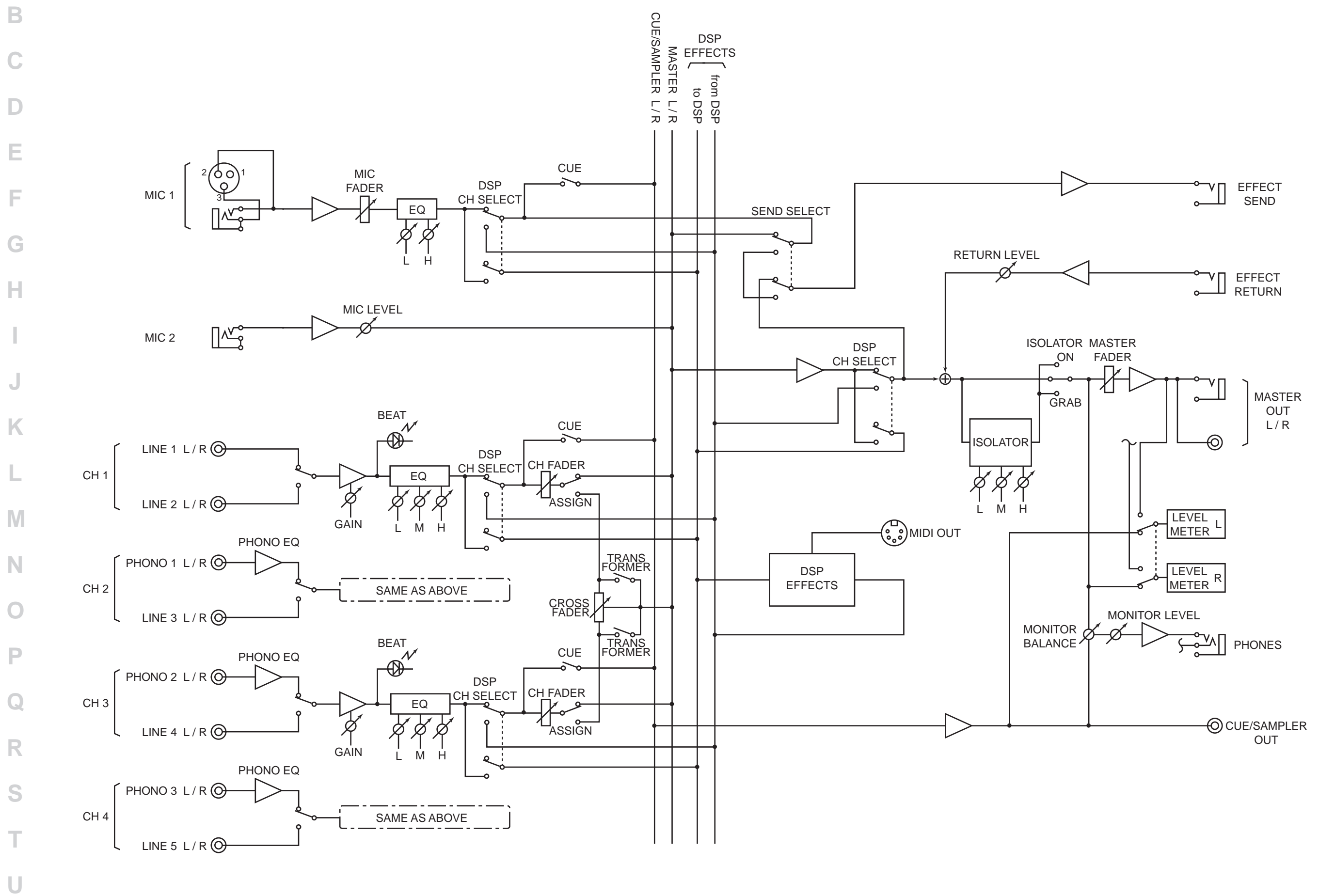
Check that the sound is output for 1.5 sec. even if you stop the input sound.

Test mode is complete. (If you press the [TAP]button, you can return to the LED test.) To exit test mode, turn the power off.



1 2 3 4 5 6 7 8 9 10 11 12 13 14 15 16 17 18 19 20 21 22 23 24 25 26 27 28

A BLOCK DIAGRAM



1 2 3 4 5 6 7 8 9 10 11 12 13 14 15 16 17 18 19 20 21 22 23 24 25 26 27 28

A CIRCUIT BOARD

B DSP BOARD ASSY (71018267)

C

D

E

F

G

H

I

J

K

L

M

N

O

P

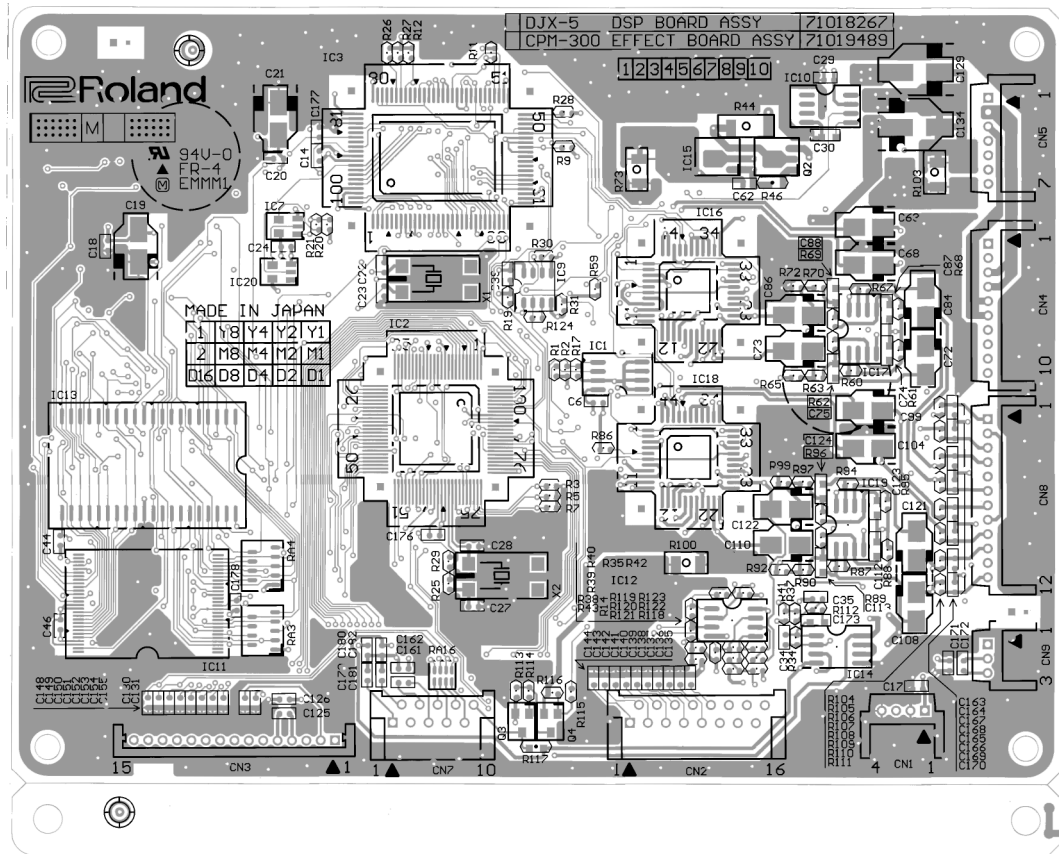
Q

R

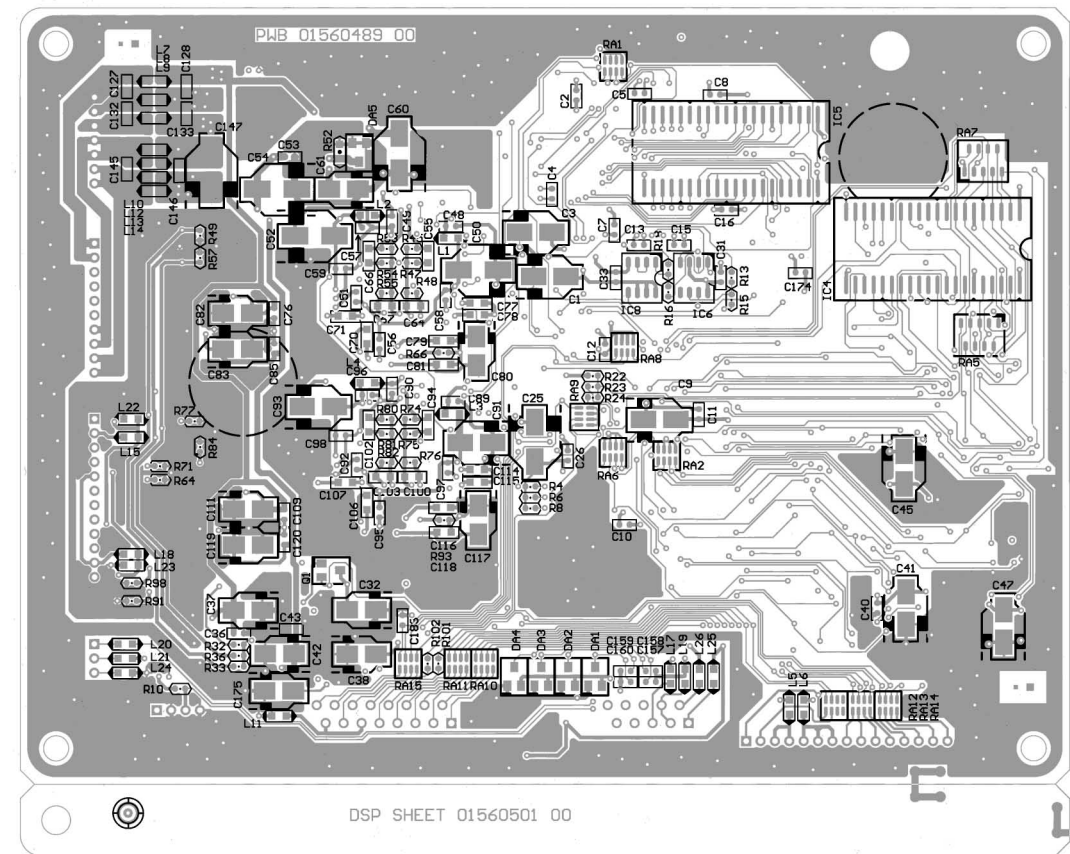
S

T

U



View from component side



View from solder side



1 2 3 4 5 6 7 8 9 10 11 12 13 14 15 16 17 18 19 20 21 22 23 24 25 26 27 28

A

B MIXER BOARD ASSY (71017901) / PHONES BOARD ASSY (71017990) /  
JACK BOARD A (71017934) / JACK BOARD B (71017967)

C

D

E

F

G

H

I

J

K

L

M

N

O

P

Q

R

S

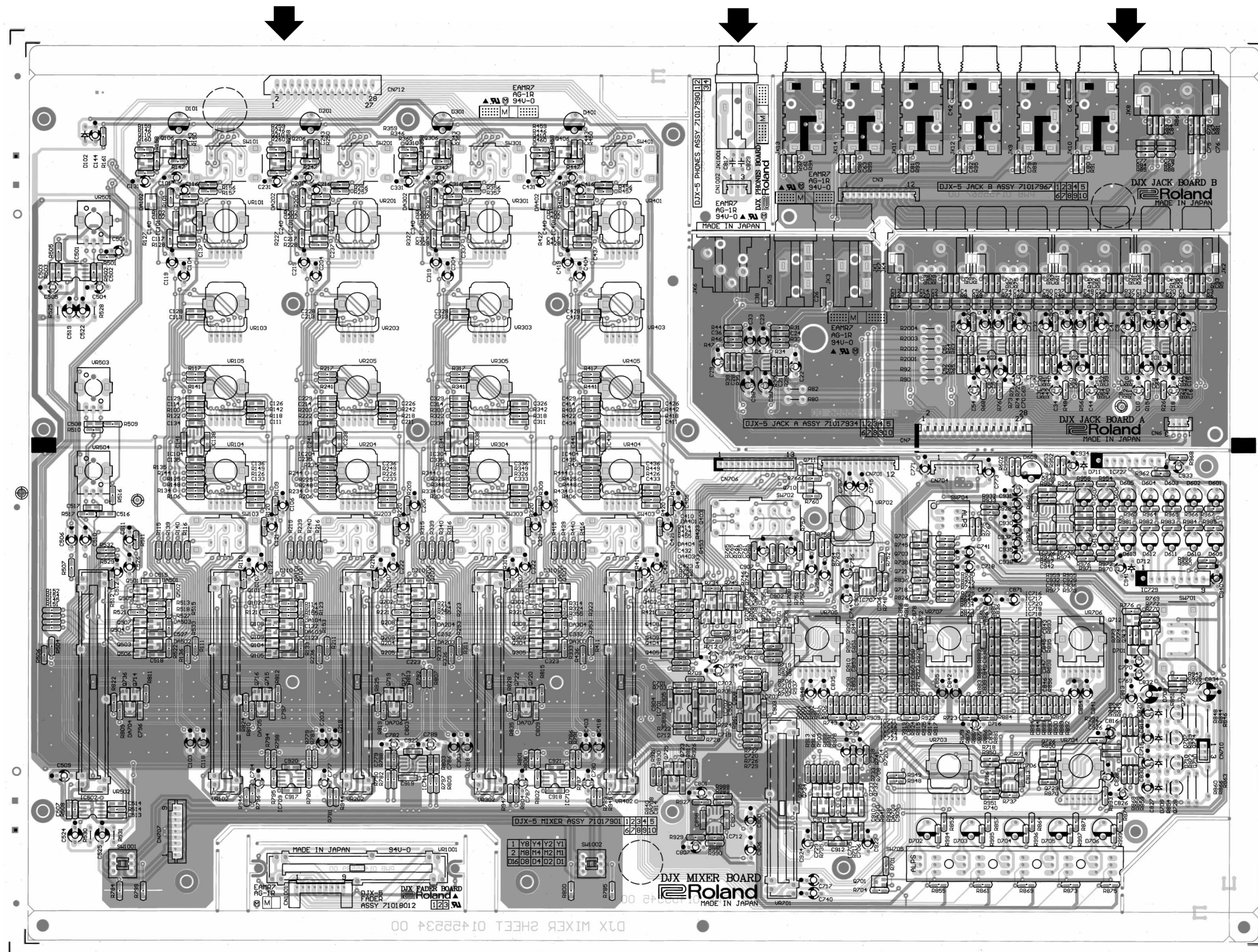
T

U

MIXER BOARD ASSY  
(71017901)

PHONES BOARD ASSY  
(71017990)

JACK BOARD B  
(71017967)



← JACK BOARD A  
(71017934)

DJX MIXER SHEET 0142233 00



1 2 3 4 5 6 7 8 9 10 11 12 13 14 15 16 17 18 19 20 21 22 23 24 25 26 27 28

A

B SW BOARD A ASSY (71018278) / SW BOARD B ASSY (71120867)

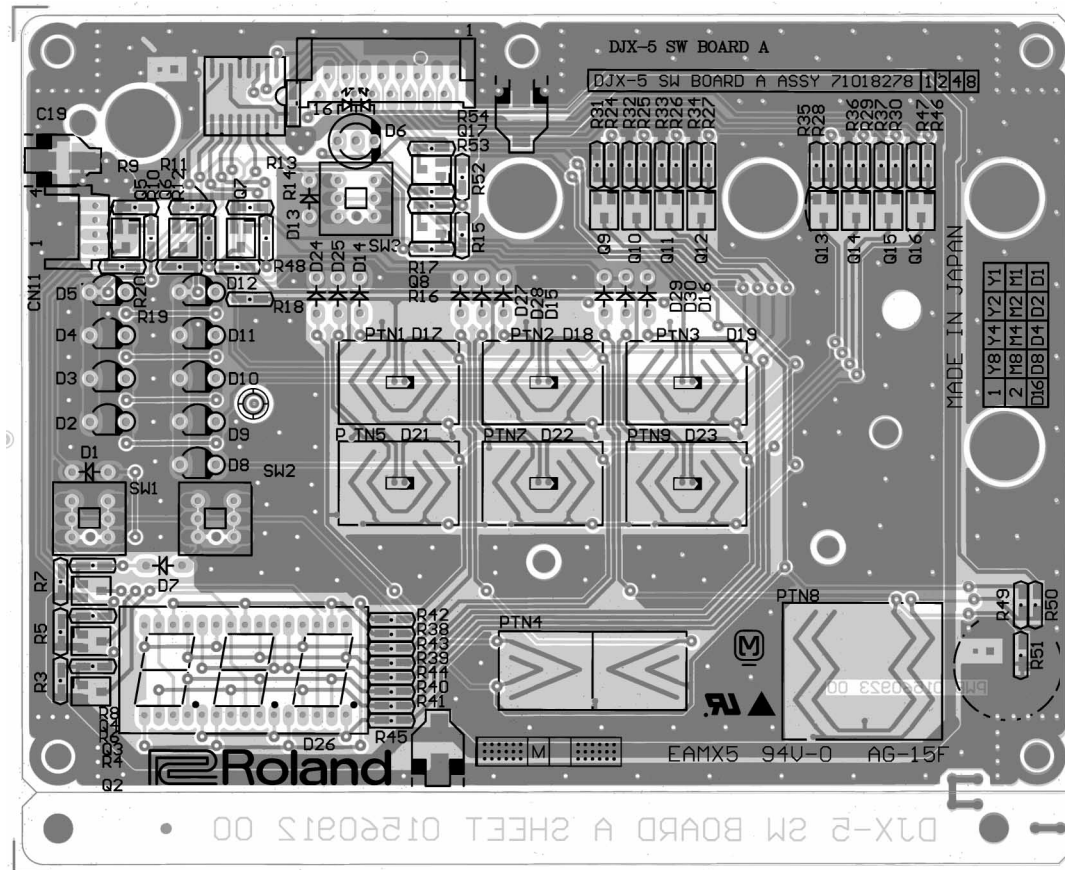
C

D

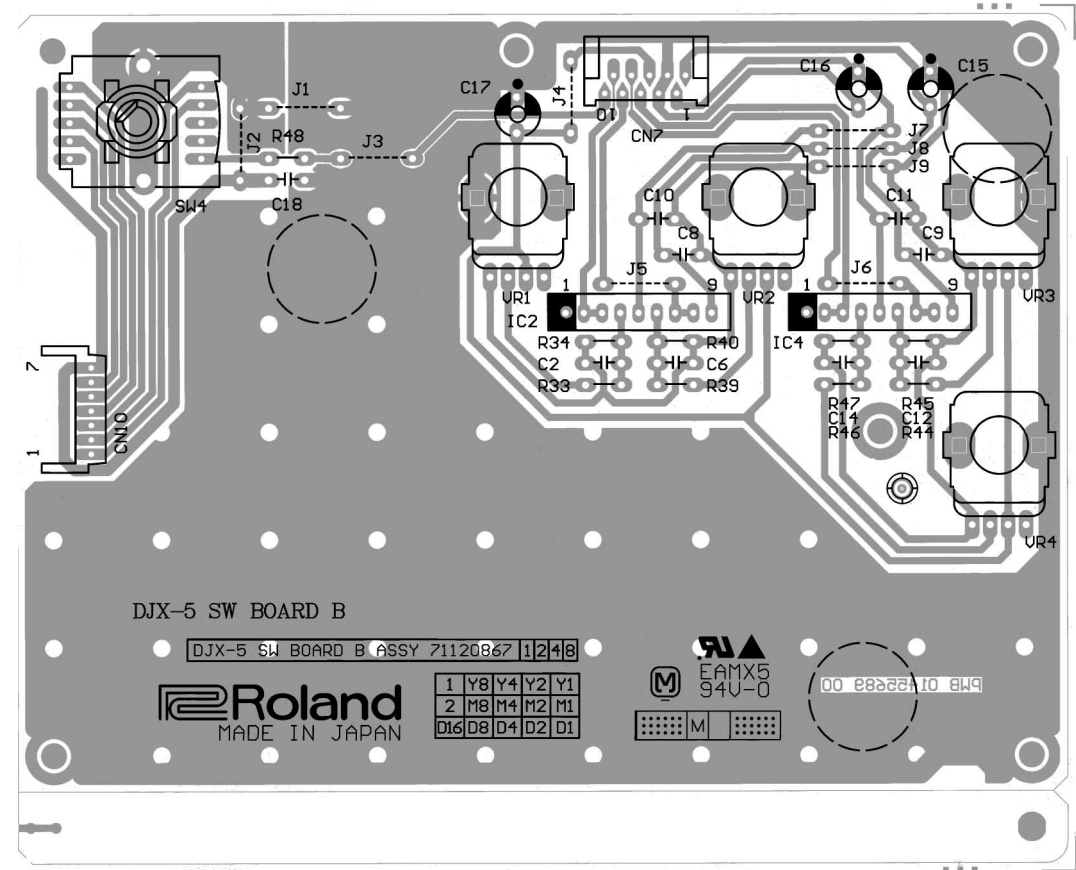
E

F

SW BOARD A ASSY (71018278)



SW BOARD B ASSY (71120867)





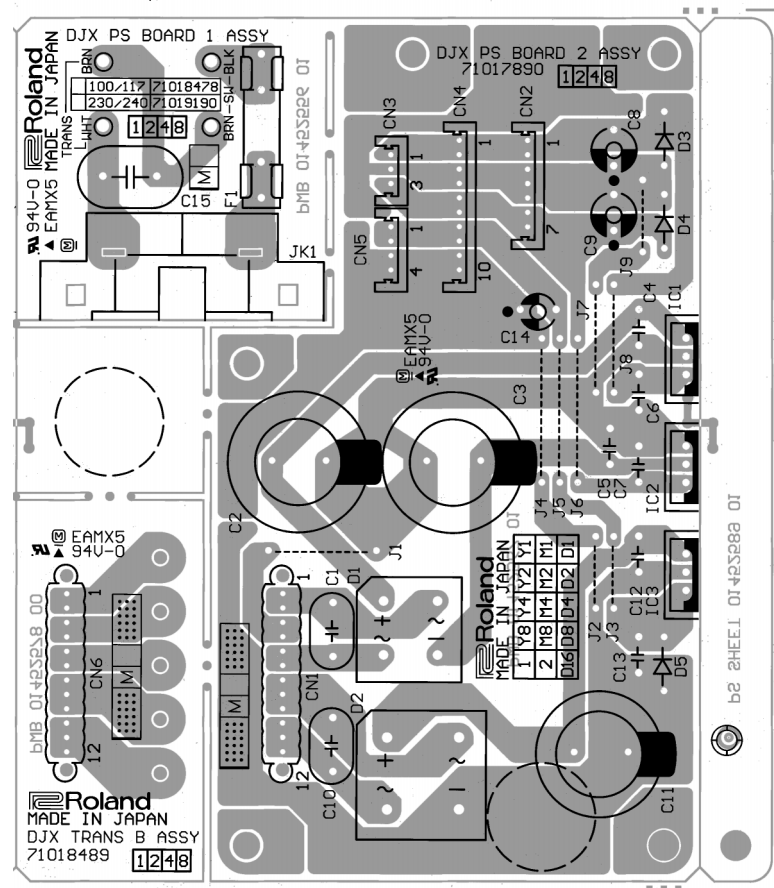
1 2 3 4 5 6 7 8 9 10 11 12 13 14 15 16 17 18 19 20 21 22 23 24 25 26 27 28

A  
B  
C  
D  
E  
F  
G  
H  
I  
J  
K  
L  
M  
N  
O  
P  
Q  
R  
S  
T  
U

**PS BOARD 1 ASSY (71019190) / PS BOARD 2 ASSY (71017890) /  
MIDI BOARD ASSY (71120889) / TRANS BOARD ASSY (\*\*\*\*\*)**

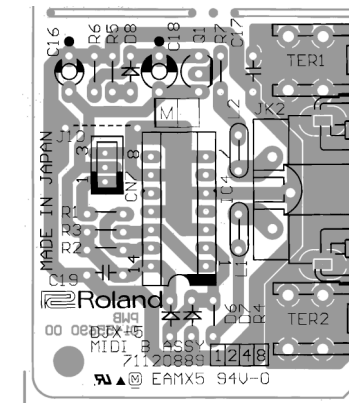
**PS BOARD 1 ASSY  
(71019190)**

**PS BOARD 2 ASSY  
(71017890)**



**TRANS BOARD ASSY  
(\*\*\*\*\*)**

**MIDI BOARD ASSY  
(71120889)**

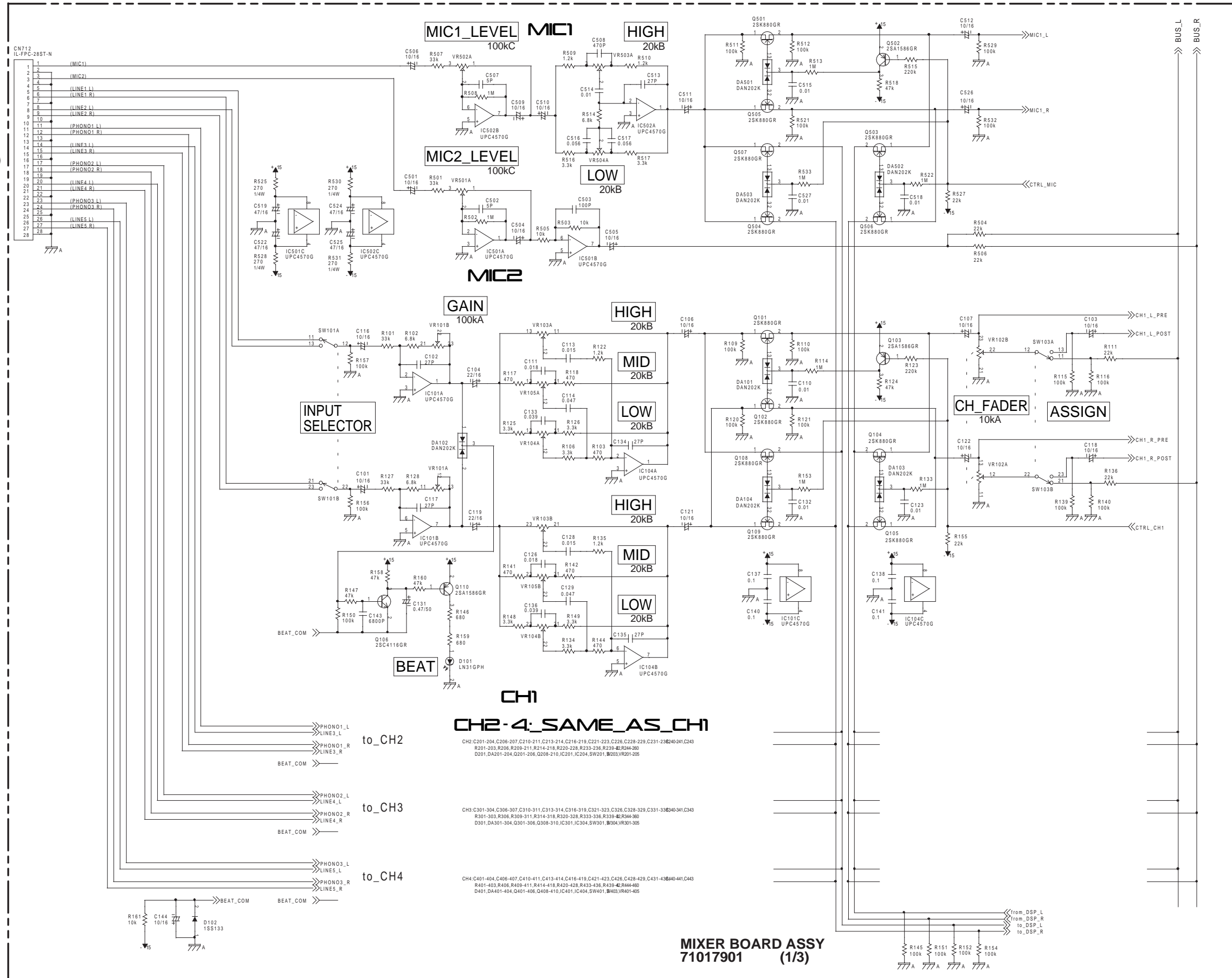




1 2 3 4 5 6 7 8 9 10 11 12 13 14 15 16 17 18 19 20 21 22 23 24 25 26 27 28

A  
B  
C  
D  
E  
F  
G  
H  
I  
J  
K  
L  
M  
N  
O  
P  
Q  
R  
S  
T  
U

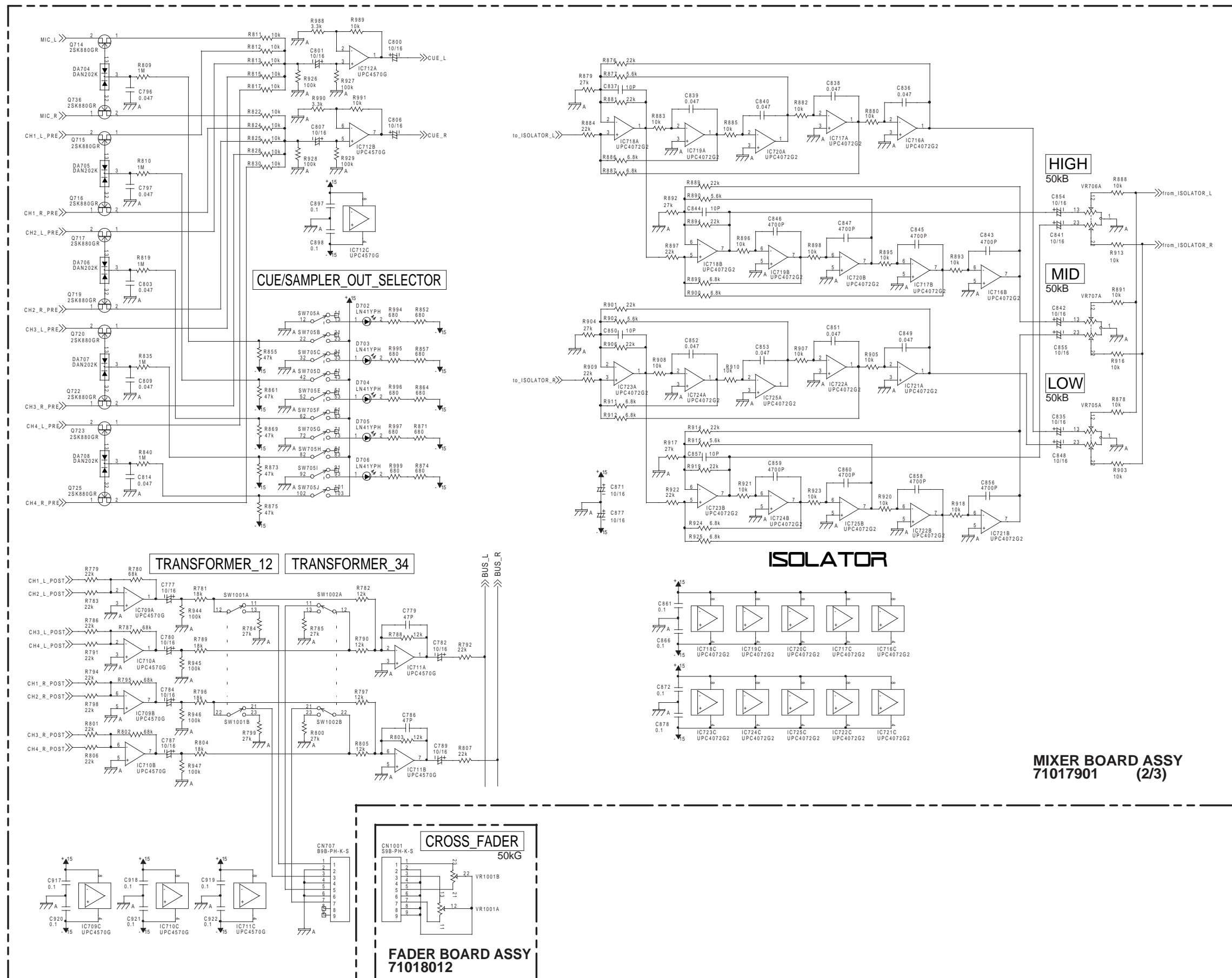
From JACK BOARD A (CN7)



MIXER BOARD ASSY 71017901 (1/3)

1 2 3 4 5 6 7 8 9 10 11 12 13 14 15 16 17 18 19 20 21 22 23 24 25 26 27 28

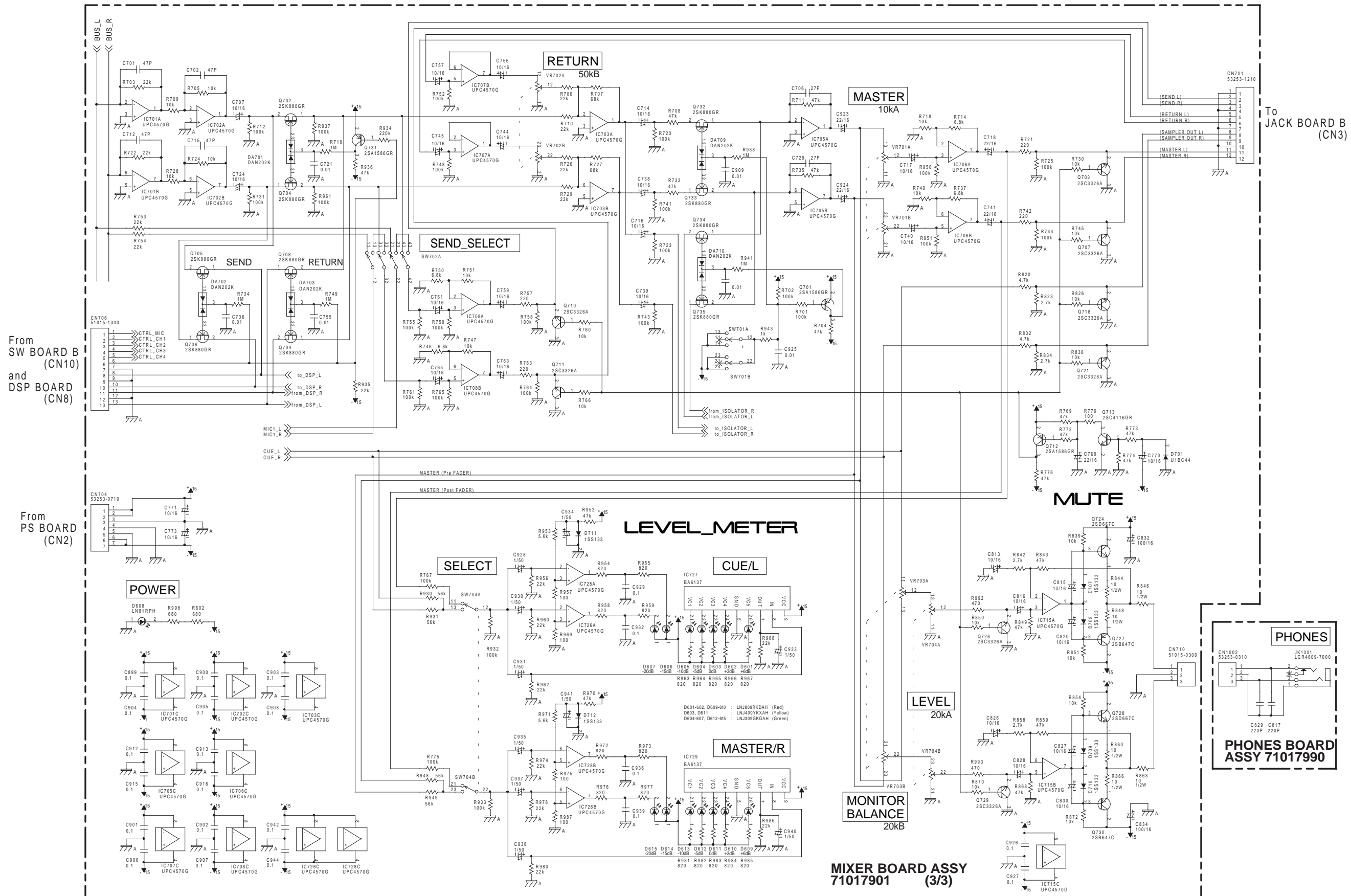
A  
B  
C  
D  
E  
F  
G  
H  
I  
J  
K  
L  
M  
N  
O  
P  
Q  
R  
S  
T  
U





1 2 3 4 5 6 7 8 9 10 11 12 13 14 15 16 17 18 19 20 21 22 23 24 25 26 27 28

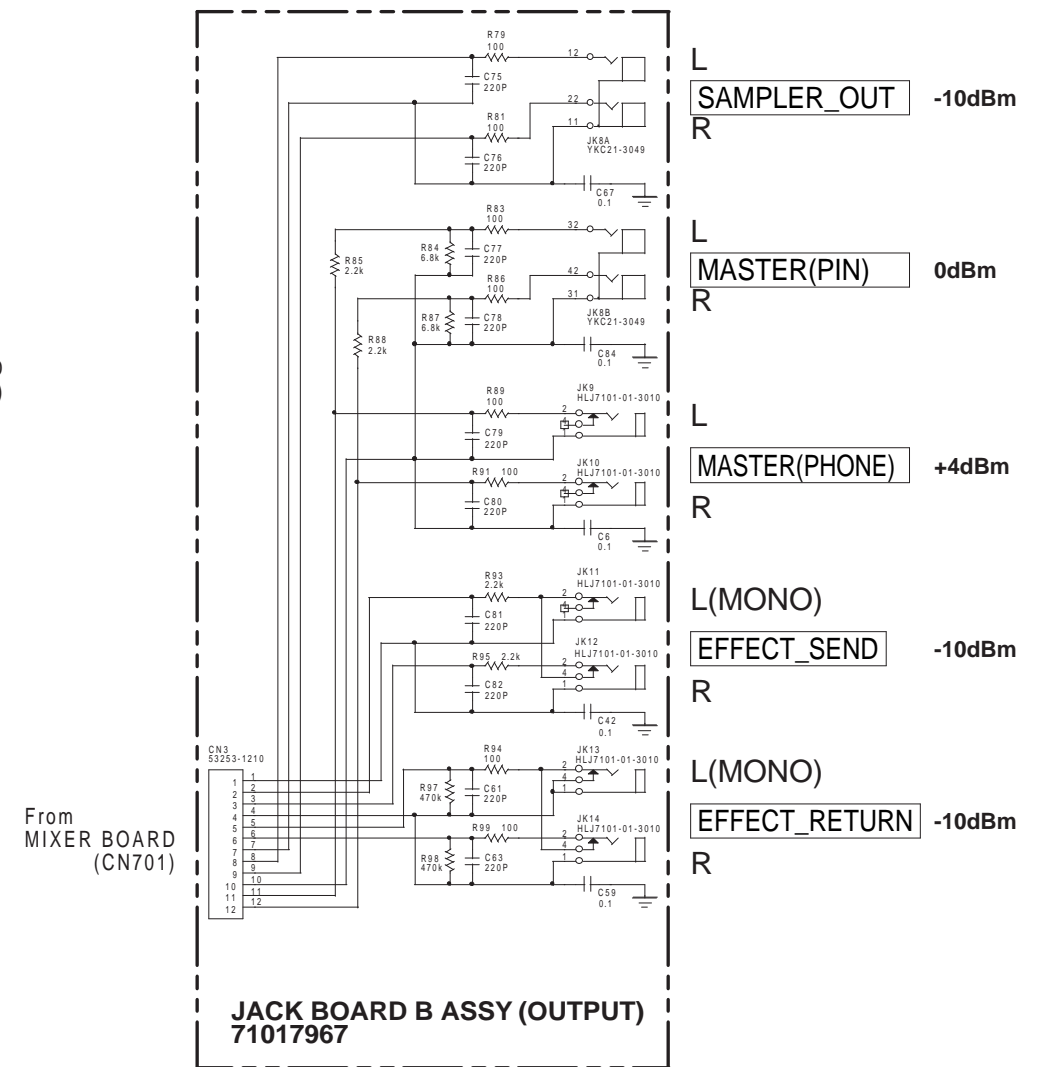
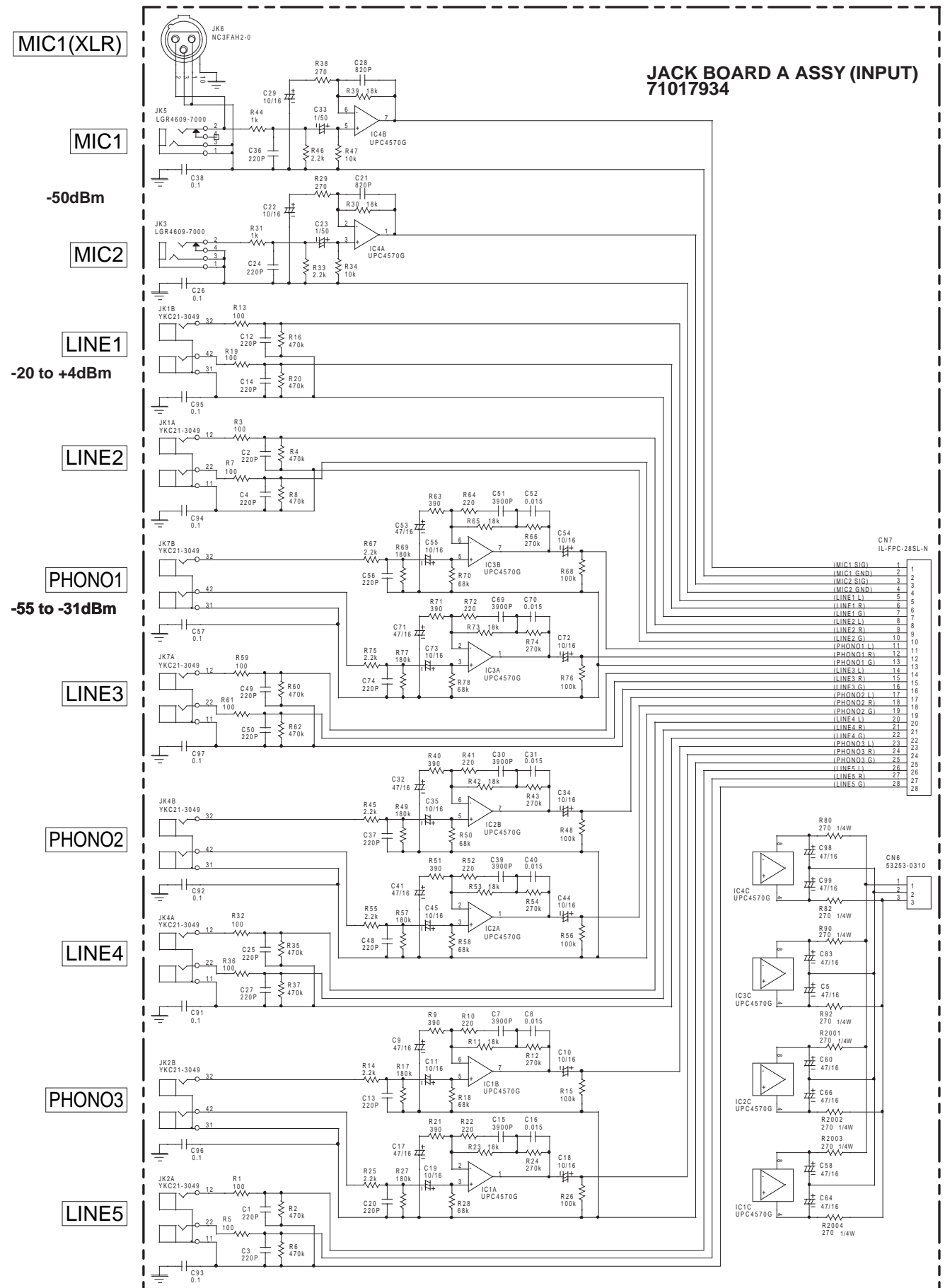
A  
B  
C  
D  
E  
F  
G  
H  
I  
J  
K  
L  
M  
N  
O  
P  
Q  
R  
S  
T  
U



MIXER BOARD ASSY 71017901 (3/3)

1 2 3 4 5 6 7 8 9 10 11 12 13 14 15 16 17 18 19 20 21 22 23 24 25 26 27 28

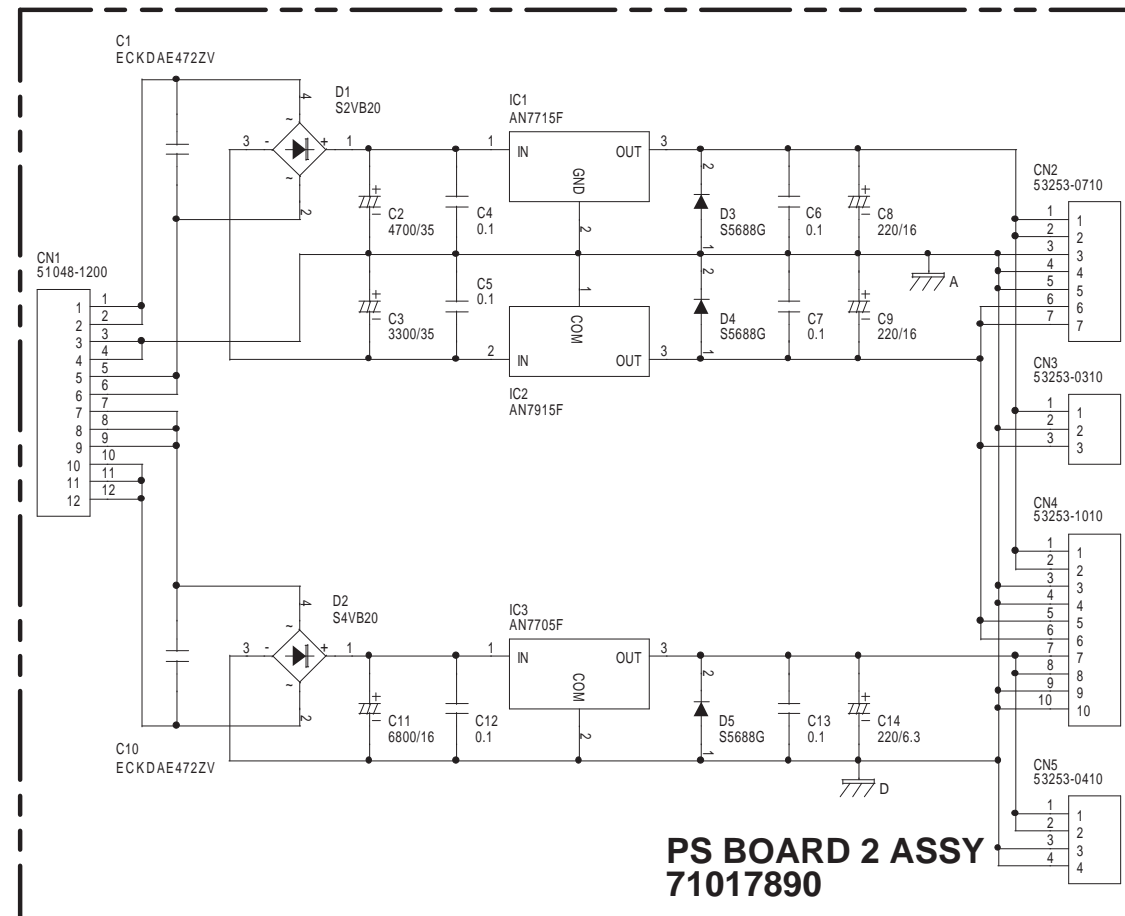
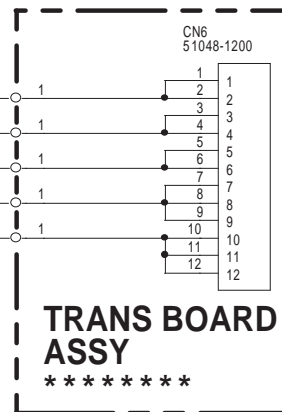
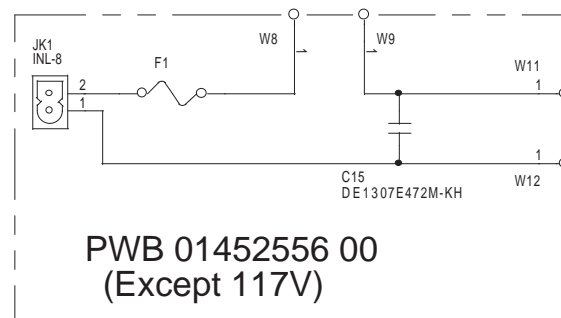
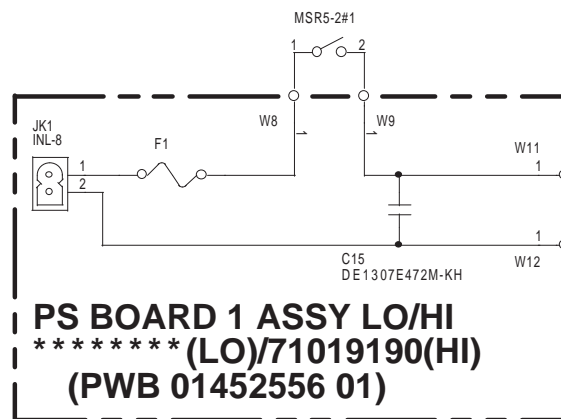
A  
B  
C  
D  
E  
F  
G  
H  
I  
J  
K  
L  
M  
N  
O  
P  
Q  
R  
S  
T  
U



1 2 3 4 5 6 7 8 9 10 11 12 13 14 15 16 17 18 19 20 21 22 23 24 25 26 27 28

A  
B  
C  
D  
E  
F  
G  
H  
I  
J  
K  
L  
M  
N  
O  
P  
Q  
R  
S  
T  
U

F1: 100/117V 500mA/250V  
230/240V T160mA/250V



To MIXER BOARD (CN704)

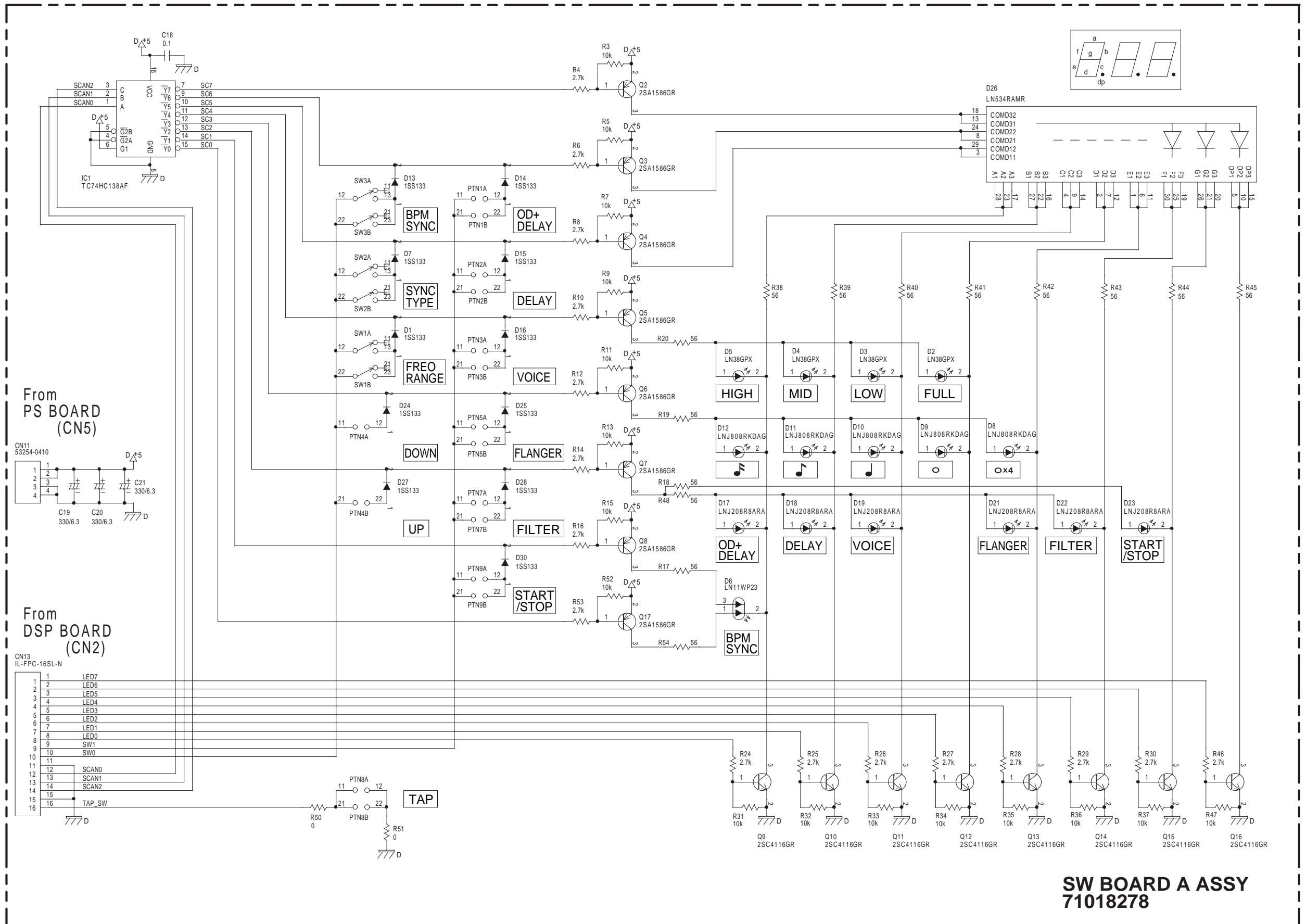
To JACK BOARD A (CN6)

To DSP BOARD (CN4)

To SW BOARD A (CN11)

1 2 3 4 5 6 7 8 9 10 11 12 13 14 15 16 17 18 19 20 21 22 23 24 25 26 27 28

A B C D E F G H I J K L M N O P Q R S T U

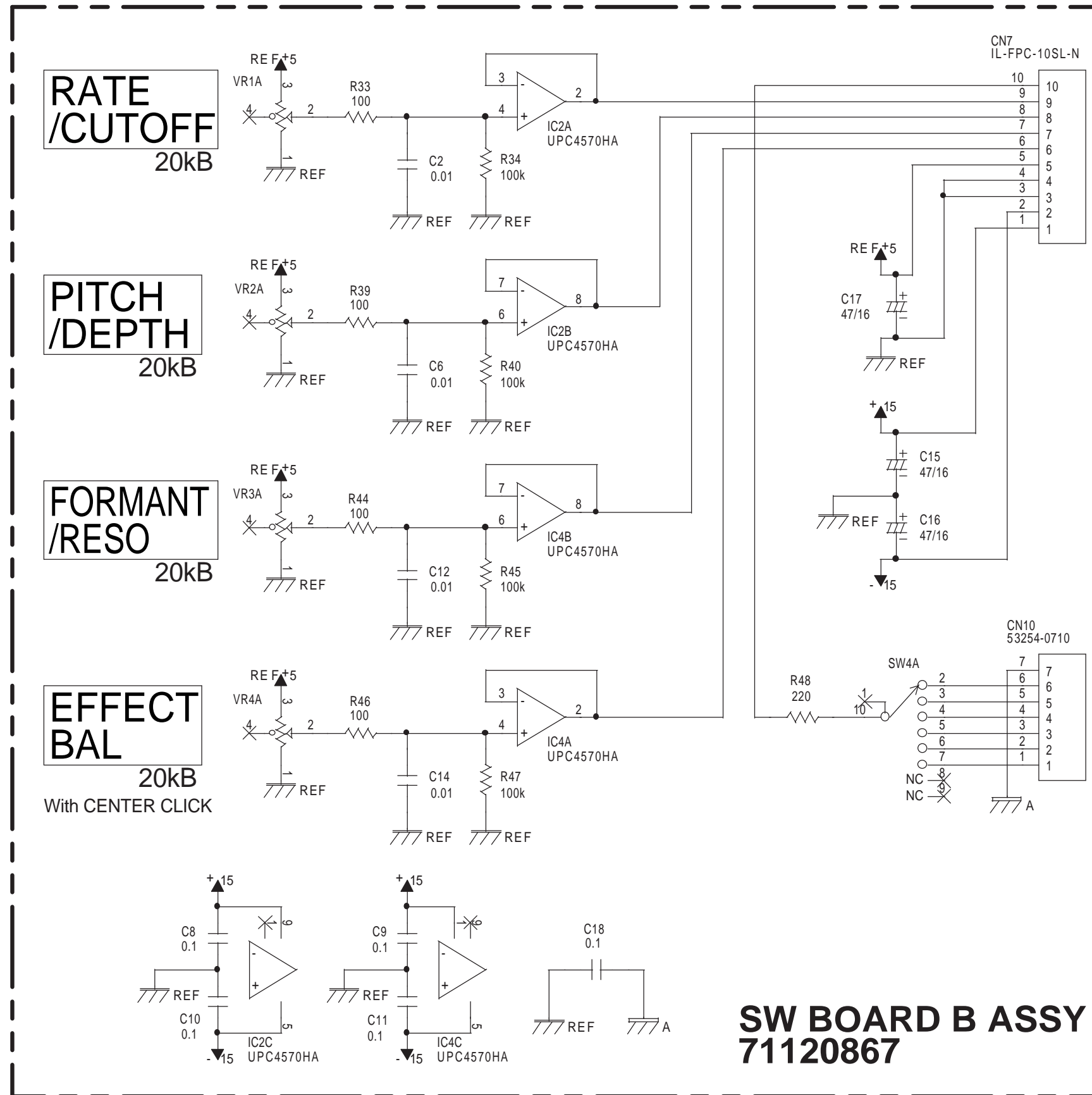


SW BOARD A ASSY 71018278



1 2 3 4 5 6 7 8 9 10 11 12 13 14 15 16 17 18 19 20 21 22 23 24 25 26 27 28

A  
B  
C  
D  
E  
F  
G  
H  
I  
J  
K  
L  
M  
N  
O  
P  
Q  
R  
S  
T  
U



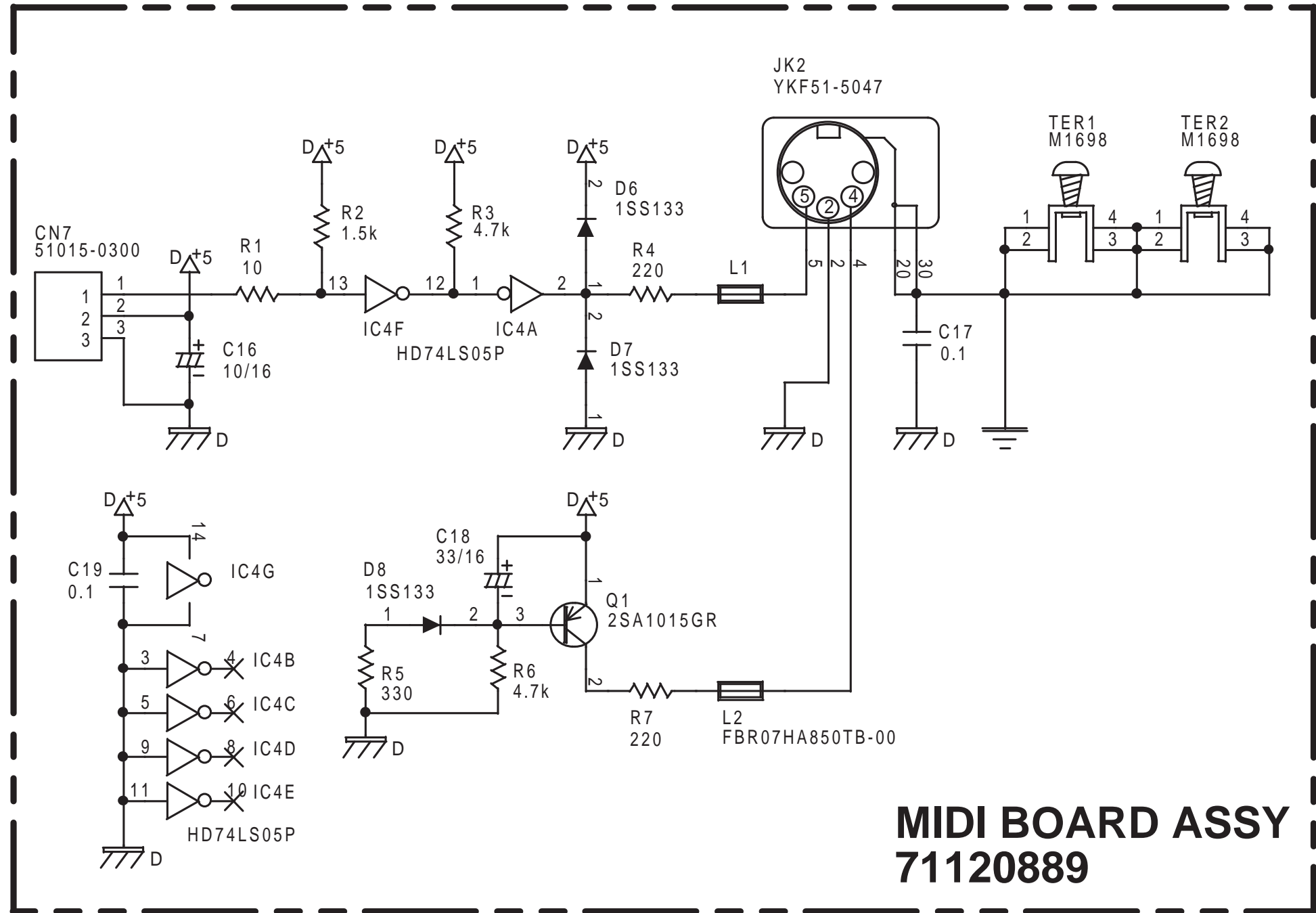
To DSP BOARD (CN7)

To MIXER BOARD (CN706)

1 2 3 4 5 6 7 8 9 10 11 12 13 14 15 16 17 18 19 20 21 22 23 24 25 26 27 28

A  
B  
C  
D  
E  
F  
G  
H  
I  
J  
K  
L  
M  
N  
O  
P  
Q  
R  
S  
T  
U

**From  
DSP BOARD  
(CN9)**



**MIDI BOARD ASSY  
71120889**