

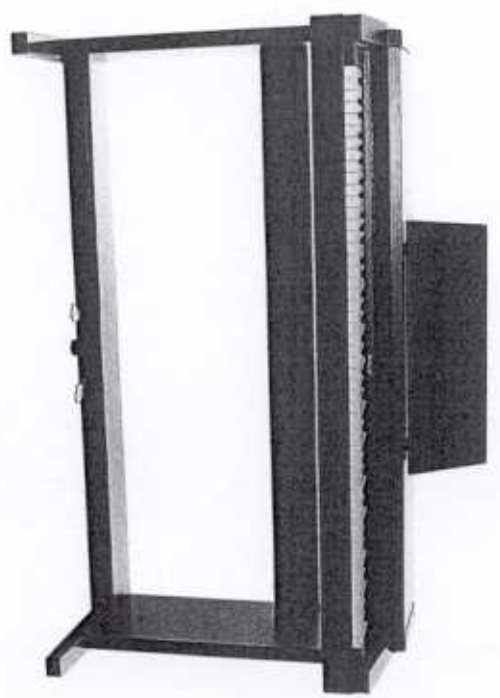
HP1300e

Digital Piano

SERVICE NOTES

First Edition

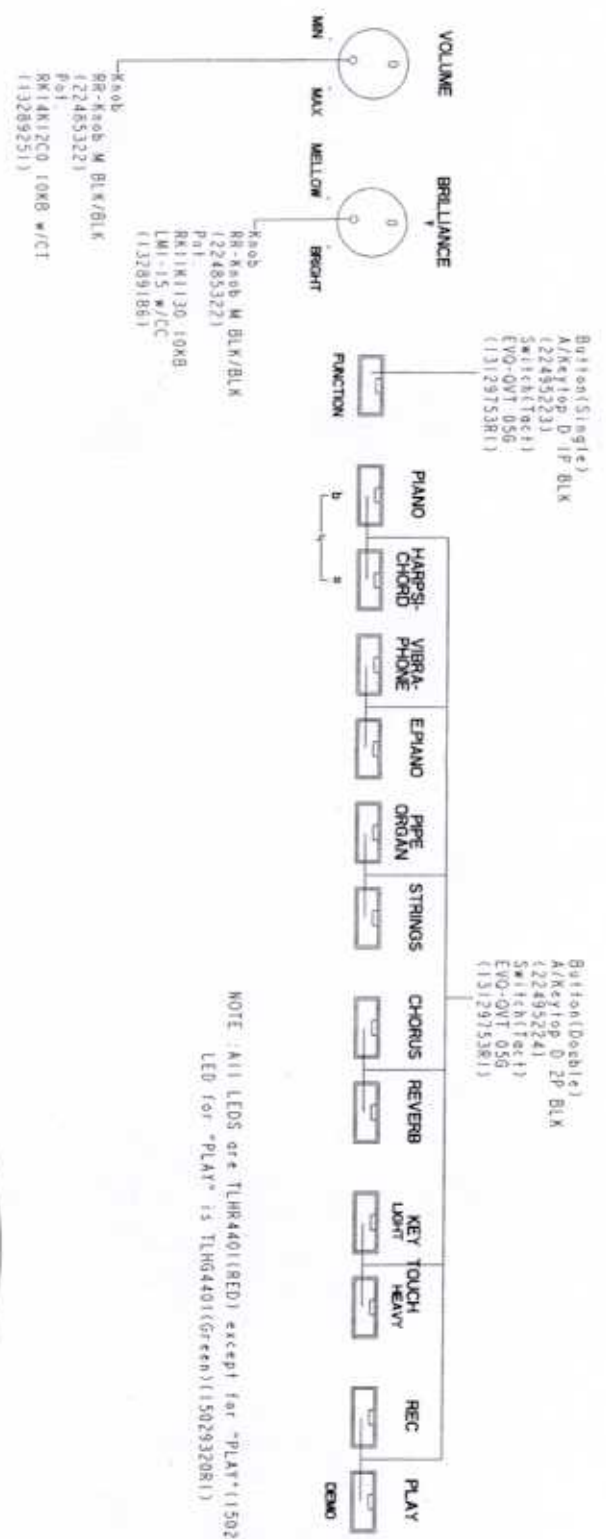
| TABLE OF CONTENTS | Page |
|---|------|
| SPECIFICATIONS | 1 |
| LOCATION OF CONTROLS | 2 |
| EXPLODED VIEW (No. 1) (HP1300e) | 3 |
| EXPLODED VIEW (No. 2) (HP1300e) | 4 |
| STAND EXPLODED VIEW (KS1300e) | 5 |
| BLOCK DIAGRAM | 6 |
| KEYBOARD PARTS LIST | 6 |
| PARTS LIST/HP1300e | 7 |
| PARTS LIST/KS1300e | 7 |
| TEST MODE | 8 |
| TROUBLESHOOTING | 8 |
| MAIN PCB ASSY (or MAIN BOARD) | 9-11 |
| RIGHT CONTACT PCB ASSY w/RUBBER CONTACT | 12 |
| (or RIGHT CONTACT BOARD w/RUBBER CONTACT) | |
| LEFT CONTACT PCB ASSY w/RUBBER CONTACT | 13 |
| (or LEFT CONTACT BOARD w/RUBBER CONTACT) | |
| CONTROLS PCB ASSY (or CONTROL BOARD) | 14 |
| HEADPHONES PCB ASSY (or HEADPHONES BOARD) | 15 |
| MAINS PCB ASSY (or INLET BOARD) | 15 |



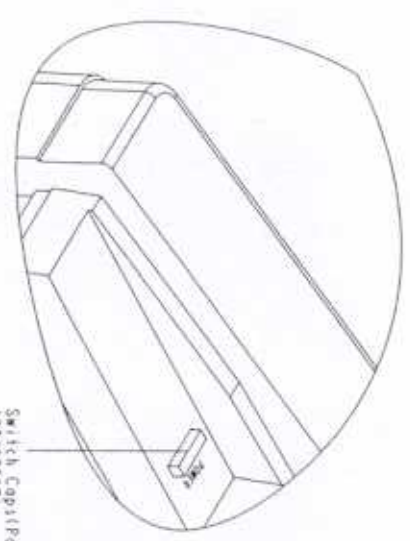
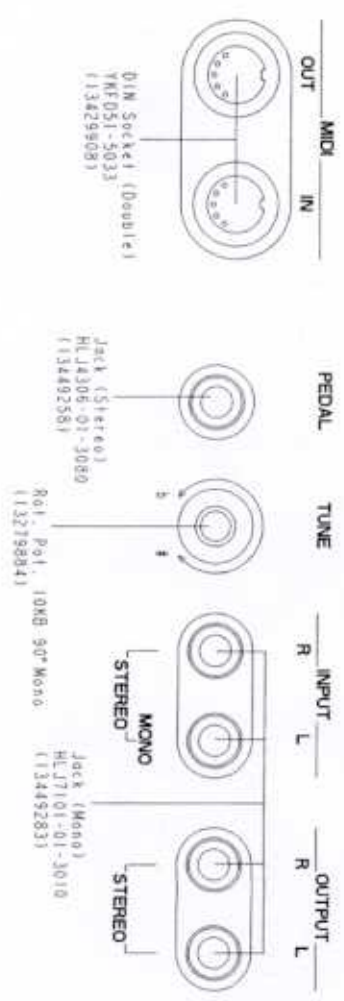
SPECIFICATIONS

- Keyboard : 88keys A to C
- Sound Source : Advanced SA (Structural Adaptive) Synthesizer
- Voices : 28 Voices (Maximum)
- Preset Tones : 8 (PIANO, HARP/CHORD, VIBRAPHONE, ELECTRIC PIANO, PRE ORGAN, STRINGS)
- Original Effects : 2 (Chorus, Reverb)
- Recorder : Approx. 2,000 Notes
- Touch Control : 3 (Light, Medium, Heavy)
- Master Tune : ± 50 cents
- Pedals : 2 (Damper, Soft/Sostenuto)
- Output Level : 0 dBm (Rated, 1kHz sine wave in)
- Output Level : 0 dBm (Volume Max, Balance: center, Stage On, Woodr. 75, Tone: PIANO)
- Speakers : 1 (6cm (6 inch) x 2)
- Output Power : 15W x 2
- Power Consumption : 40W (230V/240V)
- Dimensions :
 - Main Unit : 1,419 (W) x 456 (D) x 172 (H) mm
 - : 55.78 inch x 17.95 inch x 6.77 inch
 - Stand (KS-1300e) : 1,419 (W) x 456 (D) x 828 (H) mm
 - : 55.78 inch x 17.95 inch x 32.56 inch
 - Overall : 1,419 (W) x 456 (D) x 810 (H) mm
 - : 55.78 inch x 17.95 inch x 31.75 inch
- Weight :
 - Main Unit : 33.7 kg 74 lbs. 5 oz
 - Stand : 12.3 kg 27 lbs. 2 oz
 - Overall : 46.0 kg 101 lbs. 7 oz
- Accessories :
 - AC Cord (detachable) : 13469149R1
 - 230V CABLE XVII-HQVWHCF-2 X 0.75-VII : 13469150R1
 - 240V CABLE SAAL-OD3OCFC3 X 0.75-V : 13469152R1
 - 240V CABLE BS/15H05WV-F3S 0.75-V : 13469153R1
 - Owner's Manual : Pric. K6078156
- Options :
 - Stand KS-1300e
 - Audio Cable (PA-1M etc.)
 - MIDI Cable (MSC-15F250)

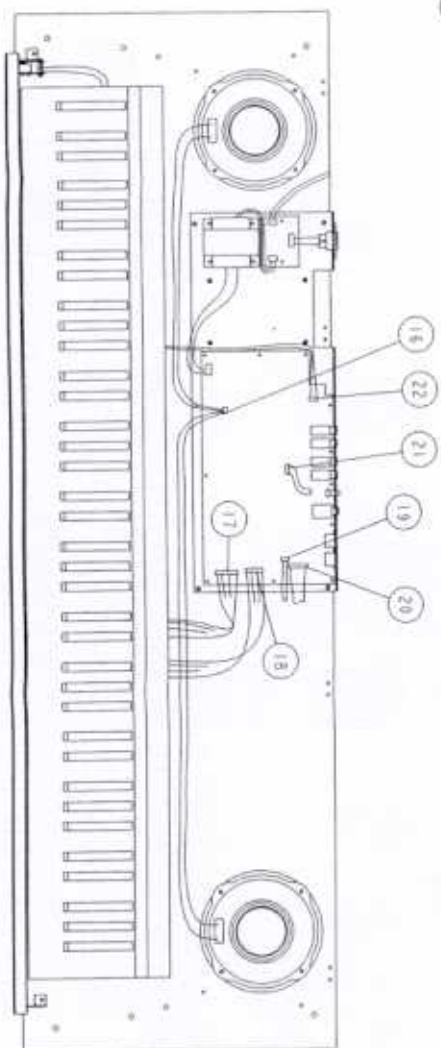
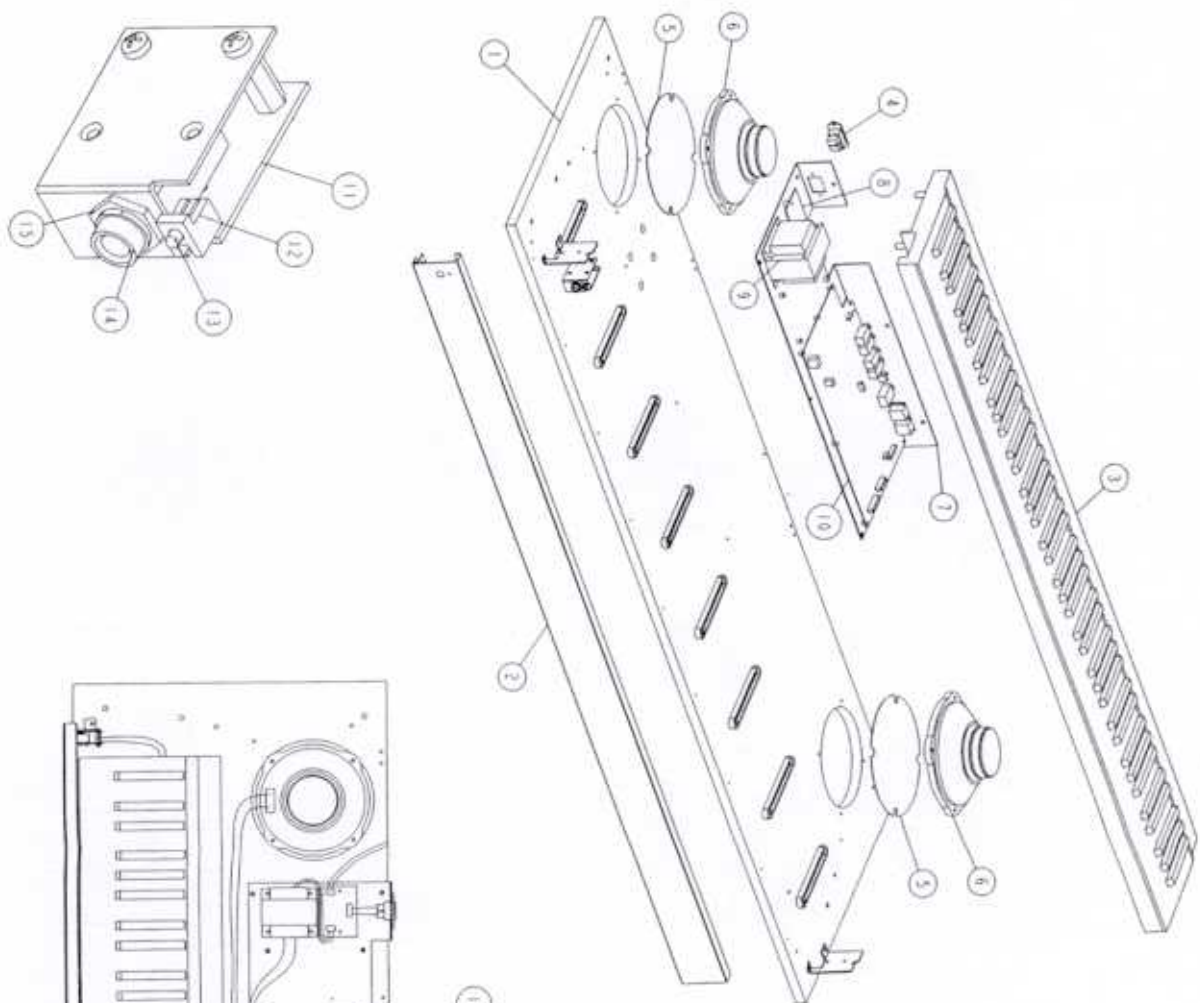
LOCATION OF CONTROLS



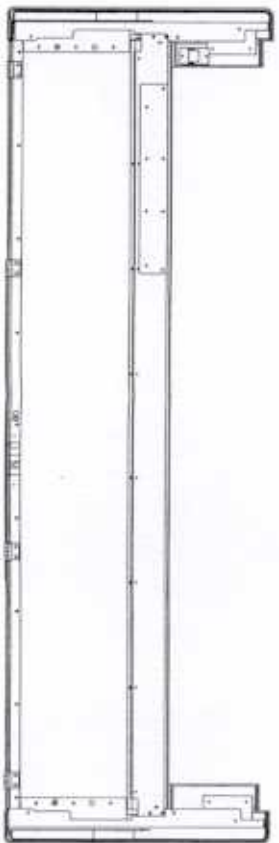
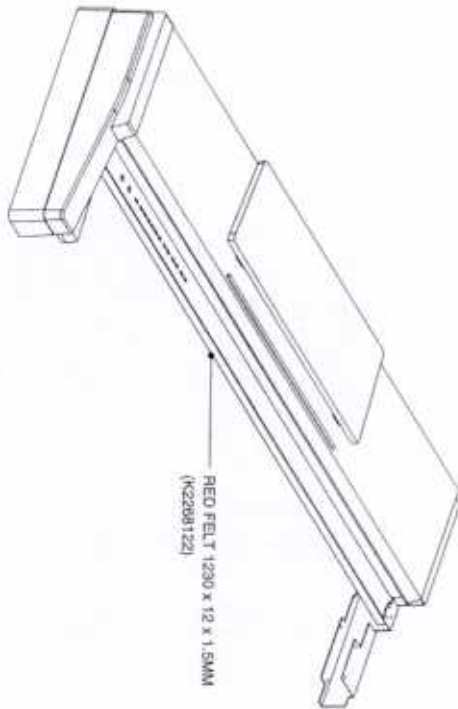
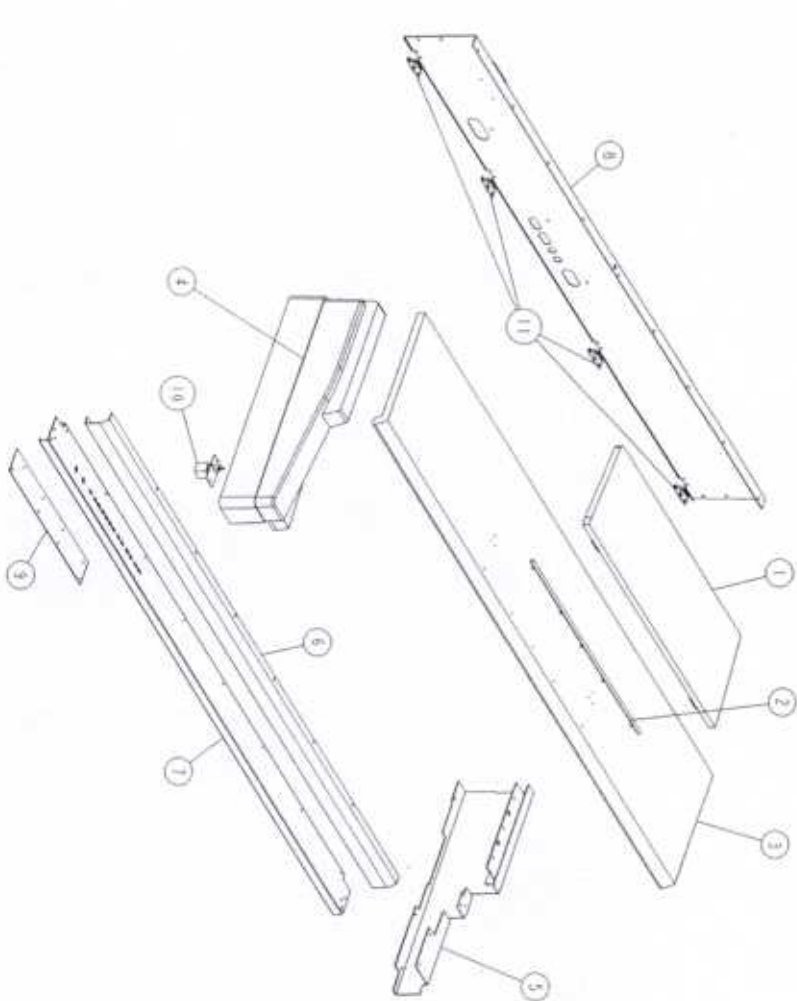
NOTE: All LEDs are TLH84401(RED) except for "PLAY" (15039284R1) LED for "PLAY" is TLH84401(Green)(15029320R1)



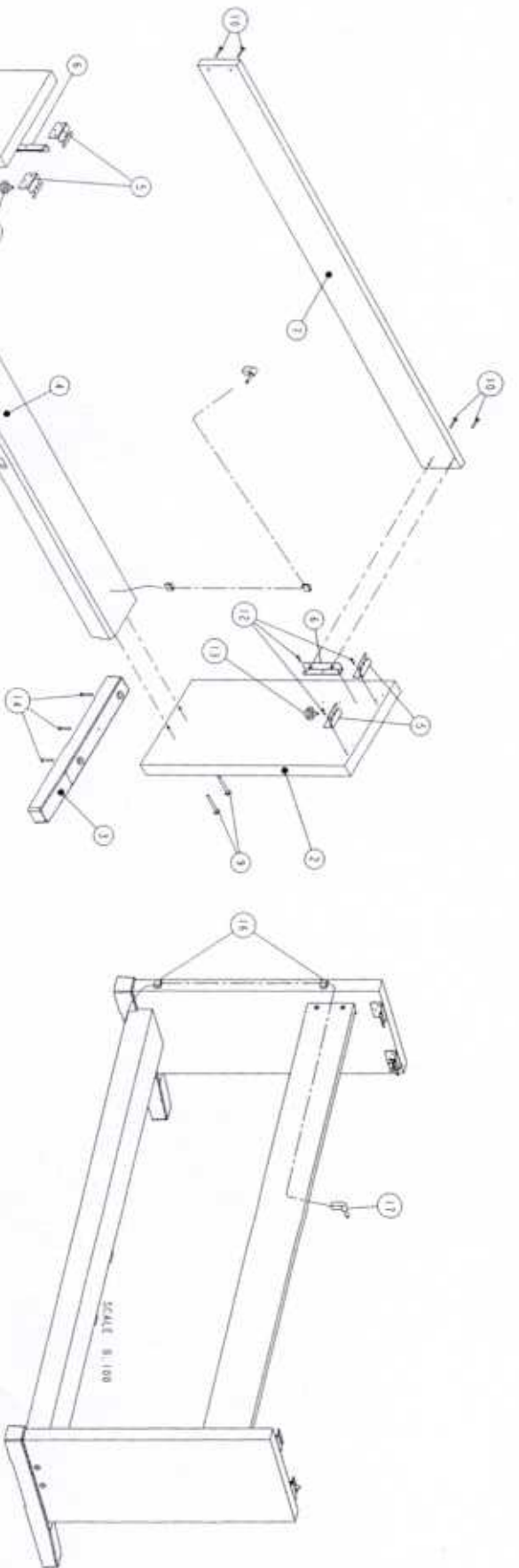
EXPLODED VIEW (NO.1) (HP1300e)



| No. | Part No. | Part Name |
|-----|------------|---------------------------------|
| 1 | 769631000 | VARNISHED WOODEN BASE |
| 2 | 769631000 | VARNISHED KEYBOARD BLIND |
| 3 | 769630000 | RG KEY KEYBOARD ASSY 1P/8P |
| 4 | 134292281 | AC INLET 8832 FSG 40 60/230 |
| 5 | 769581300 | VARNISHED WOODEN NET |
| 6 | 22415596 | LOUDSPEAKER CF160138-01 6 OHM |
| 7 | 769631100 | VARNISHED IRON BASE |
| 8 | 769630300 | 230/240 V MAINS ASSY HP-1300e |
| 9 | 82458111 | 230V POWER TRANSFORMER |
| 10 | 769630500 | MAIN BOARD ROM ASSY |
| 11 | 769630200 | HEADPHONES PCB ASSY 1300e/1800e |
| 12 | K2168110 | SPACER FOR LED 90° |
| 13 | 15029284R1 | LED 0100E TLHR-4401-RED |
| 14 | 13442961 | JACK SOCKET HLJ4306-01-2070 |
| 15 | 40016756 | NUT M12 HLJ0999-01-360 M12 |
| 16 | 769640800 | 4P CBL ASSY (96/50)W(4PC) |
| 17 | K3468135 | 2P MAYLAR CBL (70) 1.25 |
| 18 | K3468136 | 16P MAYLAR CBL (50) 1.25 |
| 19 | 769640600 | 4P CBL ASSY (80)W (4PC-4PC) |
| 20 | 769641000 | 12P CBL ASSY (70)W (12PC-12PC) |
| 21 | 769640900 | 6P CBL ASSY (70)W (6PC-6PC) |
| 22 | 769640700 | 5P CBL ASSY (80)W (5PC-5PC) |

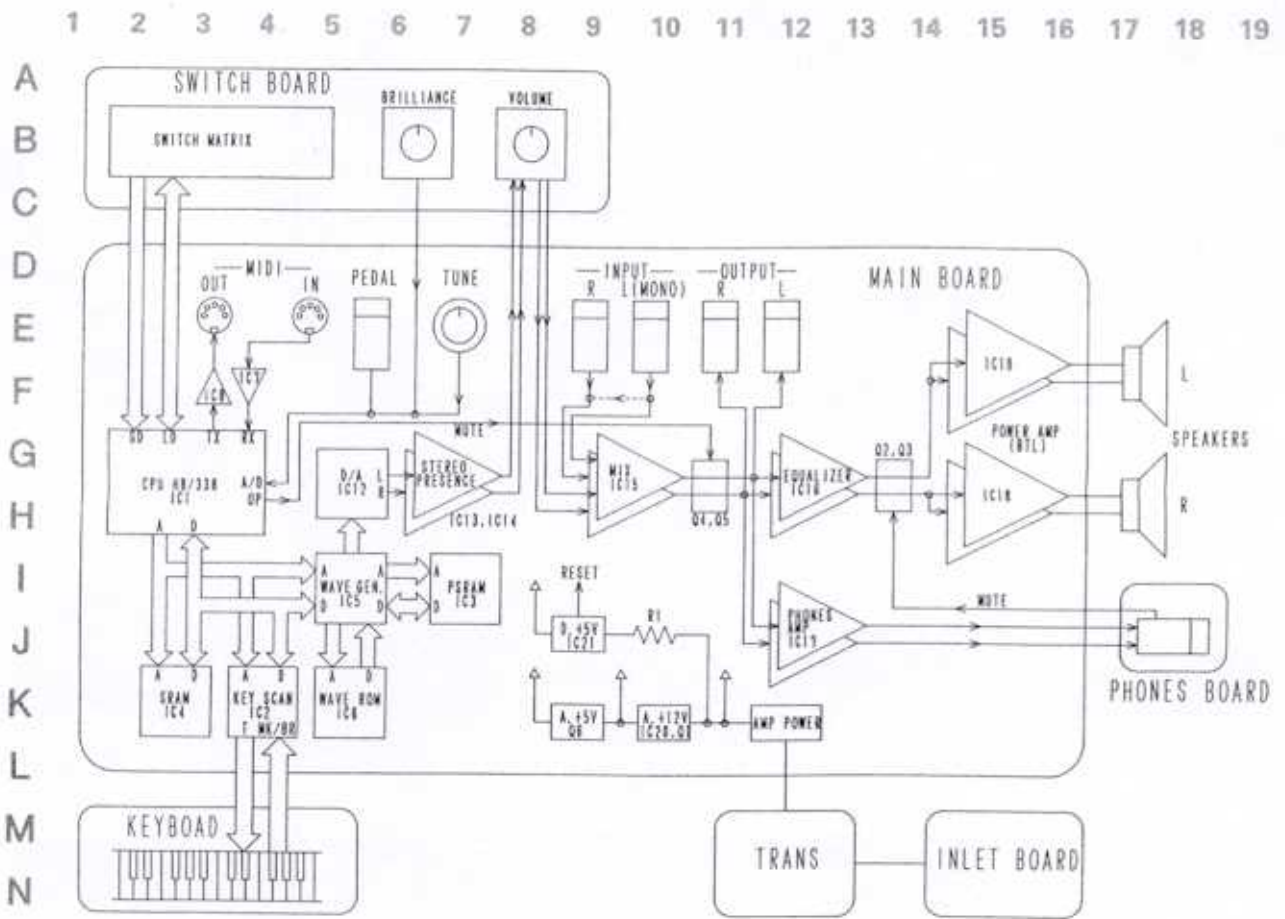


| No. | Part No. | Part Name |
|-----|------------|------------------------------------|
| 1 | N228102 | SCORE HOLDER W/HINGES |
| 2 | N228108 | MUSIC SCORE HOLDER |
| 3 | N2028114 | WOODEN COVER |
| 4 | 00345245 | LEFT END-SIDE ASSY |
| 5 | 00345323 | RIGHT END-SIDE ASSY |
| 6 | 7696313000 | VARNISHED BLIND |
| 7 | 7696315000 | VARN.+SILKSCR CONTROL'S PANEL ASSY |
| 8 | 7696314000 | VARNISHED REAR PANEL |
| 9 | 7696301000 | CONTROL'S PCB ASSY HP-1300e |
| 10 | 13129180 | SWITCH SUBUNIT-TVS |
| 11 | N2328102 | IRON HINGE |



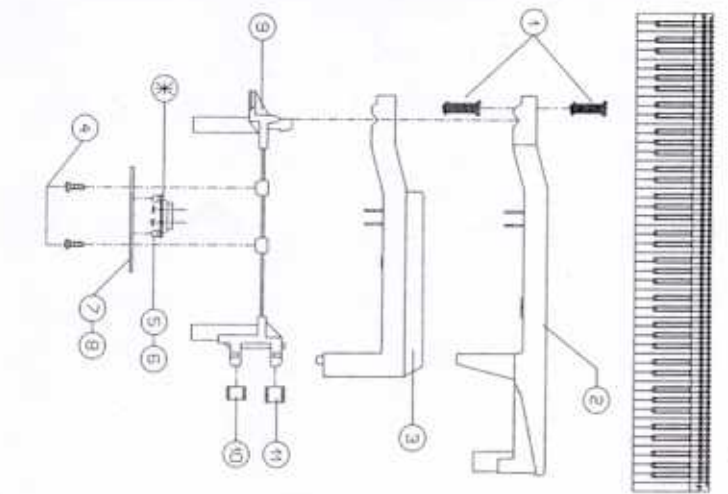
| No. | Part No. | Part Name |
|-----|----------|-------------------------------|
| 1 | K1128106 | LEFT SIDE PANEL |
| 2 | K1128105 | RIGHT SIDE PANEL |
| 3 | K2358102 | SIDE PANEL FOOT |
| 4 | K1138102 | BASE F/PEDAL |
| 5 | K2128115 | SUPPORT FOR INSTRUMENT HOLDER |
| 6 | K2128116 | SUPPORT FOR CROSS BAR |
| 7 | K1148104 | REAR SUPPORT BAR mm1354 |
| 8 | J3059101 | 2-NOIE PEDAL |
| 9 | K2388103 | SCREW M6x54 TC HEAD 15 |
| 10 | K2208102 | SCREW M4x27 TC HEAD 11 |
| 11 | J2209109 | SELFLOCKING SCREW M4x14 TC TC |
| 12 | • | SCREW 3.5x18 TC TC |
| 13 | J2209151 | BLACK KNOB M6x14 |
| 14 | • | SCREW 3.9x32 TC TC PR |
| 15 | J2329101 | SCREW DRIVEN TYPE 2 |
| 16 | 22365715 | ADHESIVE GEL HOLDER |
| 17 | K3418103 | CEL F/PEDAL 230cm |

• NO SERVICE



KEYBOARD PARTS LIST
88-KEY KEYBOARD TP/8P
 ASSY 7696308000

| Part | Description | Code | QTY |
|------|------------------------------|---------|-----|
| 1 | KEY SPRING GR 63 | J879192 | 88 |
| 2 | WHT/BLK. KEY A (Gr-VI) TP/8P | J8D3544 | 1 |
| | WHT/BLK. KEY B (Gr-VI) TP/8P | J8D3544 | 1 |
| | WHT/BLK. KEY C (Gr-VI) TP/8P | J8D3544 | 1 |
| | WHT/BLK. KEY D (Gr-VI) TP/8P | J8D3544 | 1 |
| | WHT/BLK. KEY E (Gr-VI) TP/8P | J8D3544 | 1 |
| | WHT/BLK. KEY F (Gr-VI) TP/8P | J8D3544 | 1 |
| | WHT/BLK. KEY G (Gr-VI) TP/8P | J8D3544 | 1 |
| | WHT/BLK. KEY H (Gr-VI) TP/8P | J8D3544 | 1 |
| | WHT/BLK. KEY I (Gr-VI) TP/8P | J8D3544 | 1 |
| | WHT/BLK. KEY J (Gr-VI) TP/8P | J8D3544 | 1 |
| | WHT/BLK. KEY K (Gr-VI) TP/8P | J8D3544 | 1 |
| | WHT/BLK. KEY L (Gr-VI) TP/8P | J8D3544 | 1 |
| 3 | SWEEP KEY (Gr-VI) TP/8P | J8D3544 | 26 |
| 4 | SELV TAMP SWITCH 250ma | J8D3544 | 48 |
| 5 | QP RUBBER CONTACT | J8D3544 | 114 |
| 6 | QP RUBBER CONTACT | J8D3544 | 714 |
| 7 | LEFT CONTACT PCB | J8D3544 | 1 |
| 8 | RIGHT CONTACT PCB | J8D3544 | 1 |
| 9 | UP-LET KEYBOARD | J8D3544 | 1 |
| 10 | SPACE BAR/SHIFTS INTERIOR | J8D3544 | 88 |
| 11 | SPACE BAR/SHIFTS SURFACES | J8D3544 | 88 |



TEST MODE

ENTERING TEST MODE

A. Turn the power on with connecting the Test Pinout block of R130 to MAIN BOARD to GND.
Here, it checks the peripheral devices. And if either is abnormal.

All LEDs blink the number of times mentioned below and repeat.

Internal ROM of CPU (IC1)
Work RAM for CPU (SRAM1C1) 2times
RAM for recorder (SRAM1C4) 3times
KEYSCAN CHIP (IC2) 4times
GP CHIP (IC3) 5times
WAVE ROM (IC6) 6times

If in normal mode, hold down LIGHT and CHORUS while holding down FUNCTION, and then press STRINGS.

TEST MODE

It will go to next mode by pressing FUNCTION.
And go to Normal mode by pressing FUNCTION in MODE6.

MODE 1 SWITCH and LED CHECK

At first, all LEDs light, and turns ON/OFF by pressing each button.

MODE 2 INDICATION OF CPU VERSION

Indicates the CPU Version as binary.

- The decimal part by LEDs of PLANO-STRINGS.
- The integer part by LEDs of LIGHT-PLAY.

| Version | -decimal part- | -integer part- |
|---------|-------------------------------------|-------------------------------------|
| 1.00 | [LED] [LED] [LED] [LED] [LED] [LED] | [LED] [LED] [LED] [LED] [LED] [LED] |
| 1.01 | [LED] [LED] [LED] [LED] [LED] [LED] | [LED] [LED] [LED] [LED] [LED] [LED] |
| 2.00 | [LED] [LED] [LED] [LED] [LED] [LED] | [LED] [LED] [LED] [LED] [LED] [LED] |
| 4.05 | [LED] [LED] [LED] [LED] [LED] [LED] | [LED] [LED] [LED] [LED] [LED] [LED] |

MODE 3 A/D and M/D CHECK

When you press the button mentioned below, express the A/D value of each potentiometer by pitch of sine wave sound. (Only in minimum value, it doesn't sound.)

- CHORUS -- -- BRILLI
 - REVERB -- -- TUNE
- When the A/D value is maximum, it sounds bell of metronome.

When the A/D value goes through maximum to minimum, the LED turns off and it means ALL RIGHT.

- Correct M/D IN and M/D OUT, then lights LED of PLAY.
- And then disconnects all.

Indicates inchecked items by blinking LED.

MODE 4 DIRECT SOUND and EFFECT SOUND CHECK

Press button mentioned below and sounds each signal.

- LIGHT -- -- Direct sound of PLANO
- HEAVY -- -- Resonance sound of PLANO
- CHORUS -- -- Chorus sound of PLANO
- REVERB -- -- Reverb sound of PLANO

MODE 5 SPEAKER CHECK

Press PLANO, and sounds sine wave from left speaker.
Press STRINGS, and sounds square wave from right speaker.

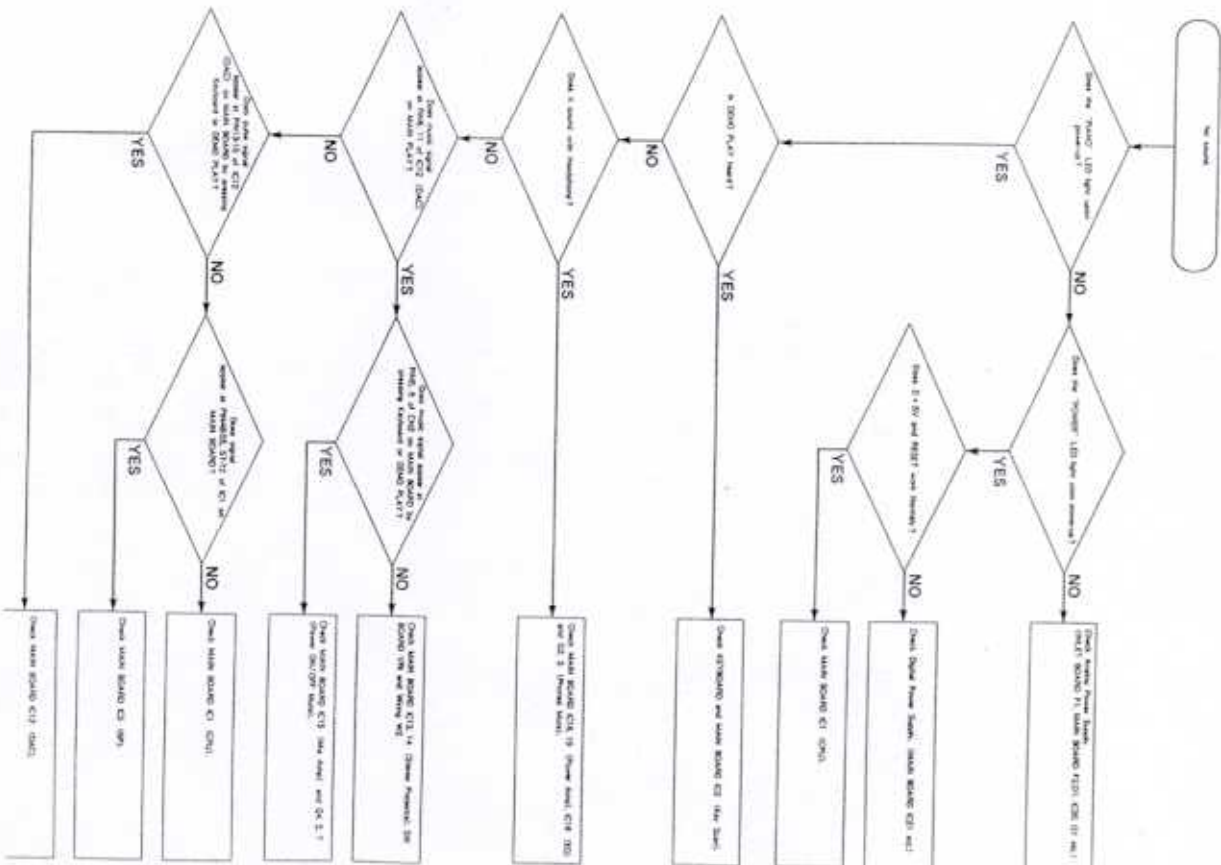
MODE 6 VELOCITY and PEDAL CHECK

Indicates velocity level of the pressed key by LED of PLANO-REVERB.

- Lights LED mentioned below by pressing each pedal, turns off by releasing it.
- LIGHT -- -- SOFT
- HEAVY -- -- DAMPER

You will return to normal mode by pressing FUNCTION.

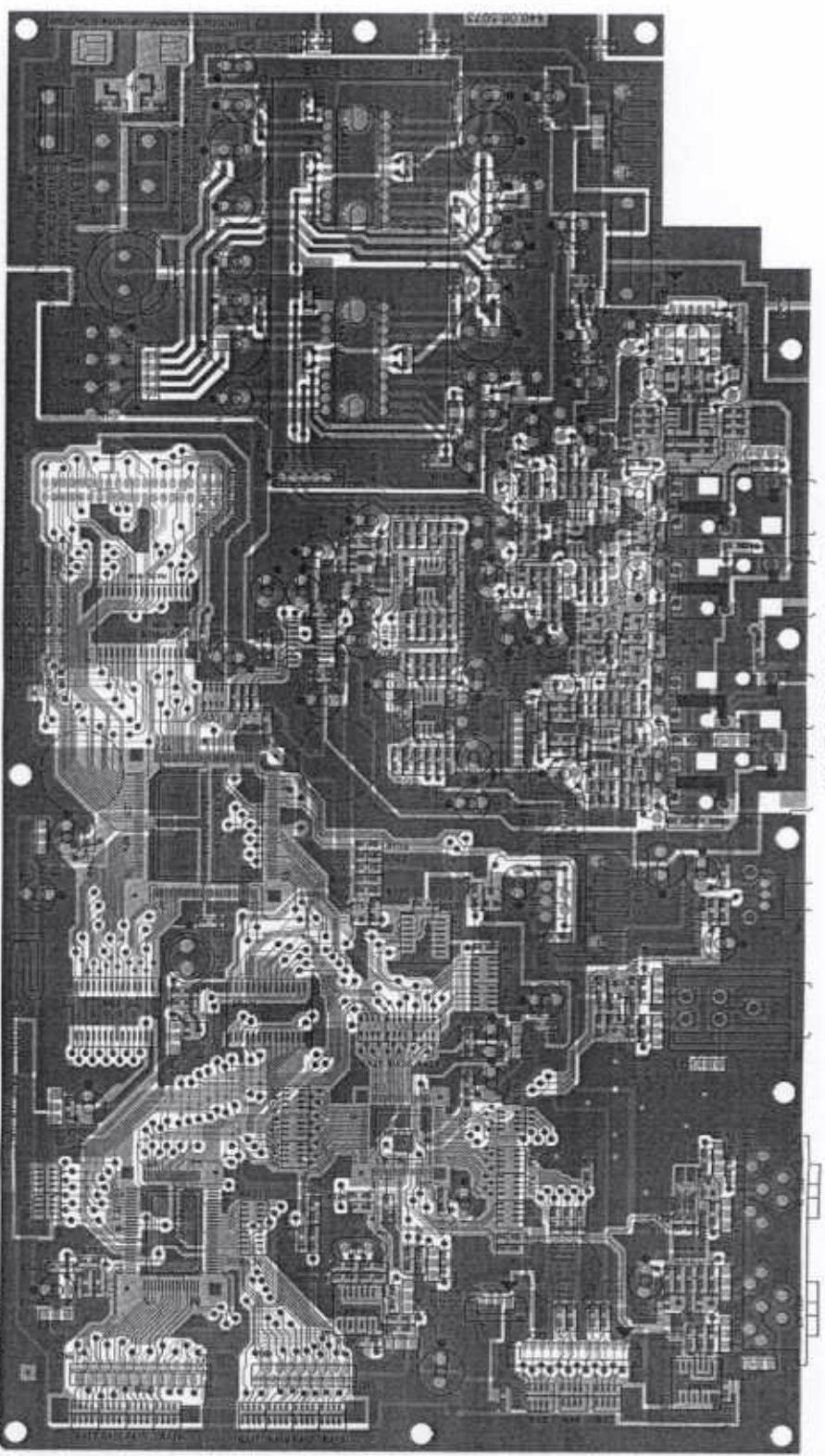
TROUBLESHOOTING



1 2 3 4 5 6 7 8 9 10 11 12 13 14 15 16 17 18 19 20 21 22 23 24 25 26 27 28 29 30
A B C D E F G H I J K L M N O P Q R S T ::

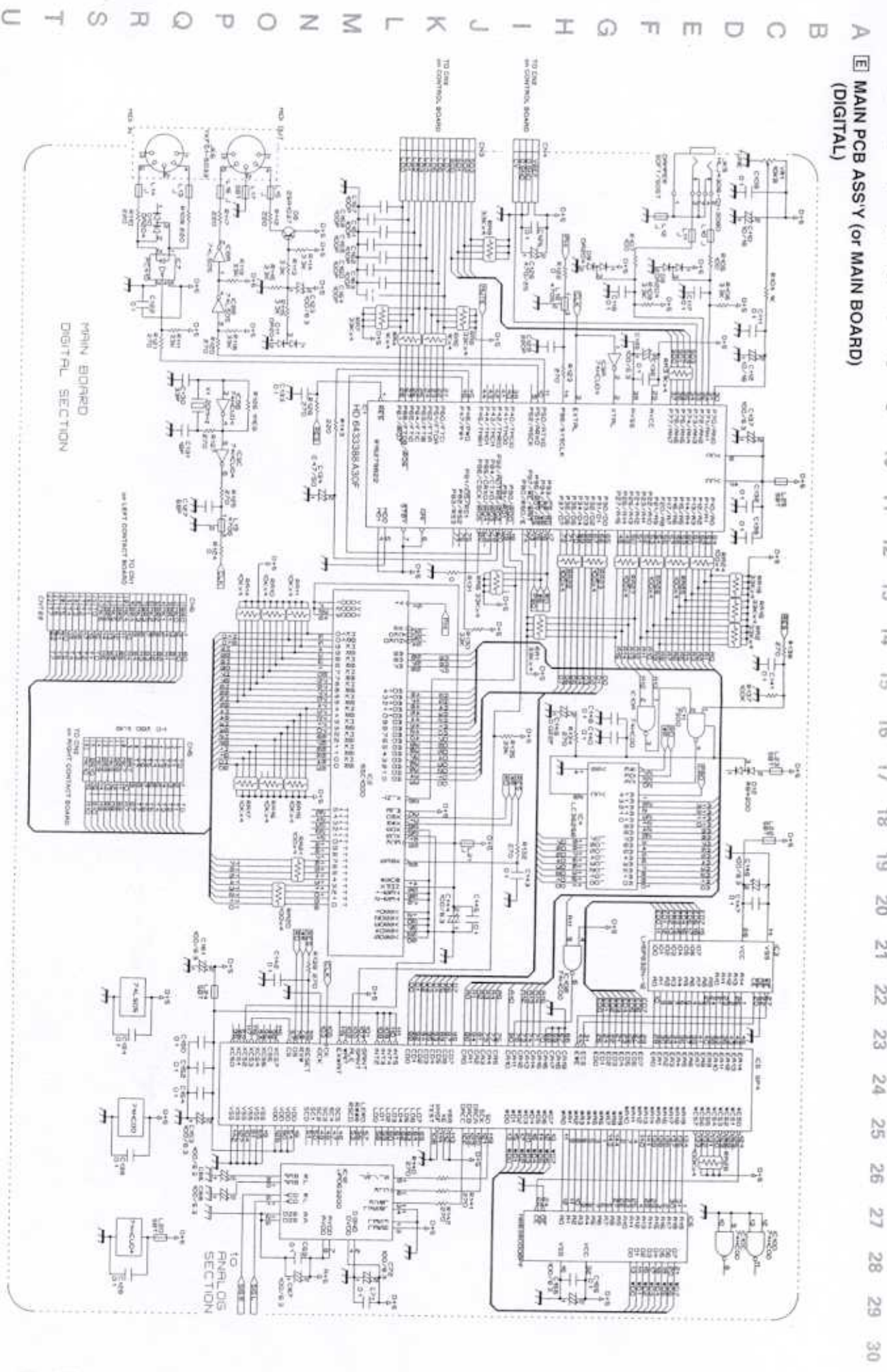
E MAIN PCB ASSY
(or MAIN BOARD)
ASSY 7696305000

MANUTELA DA TOGLIERE DOPO LA SALVATURA



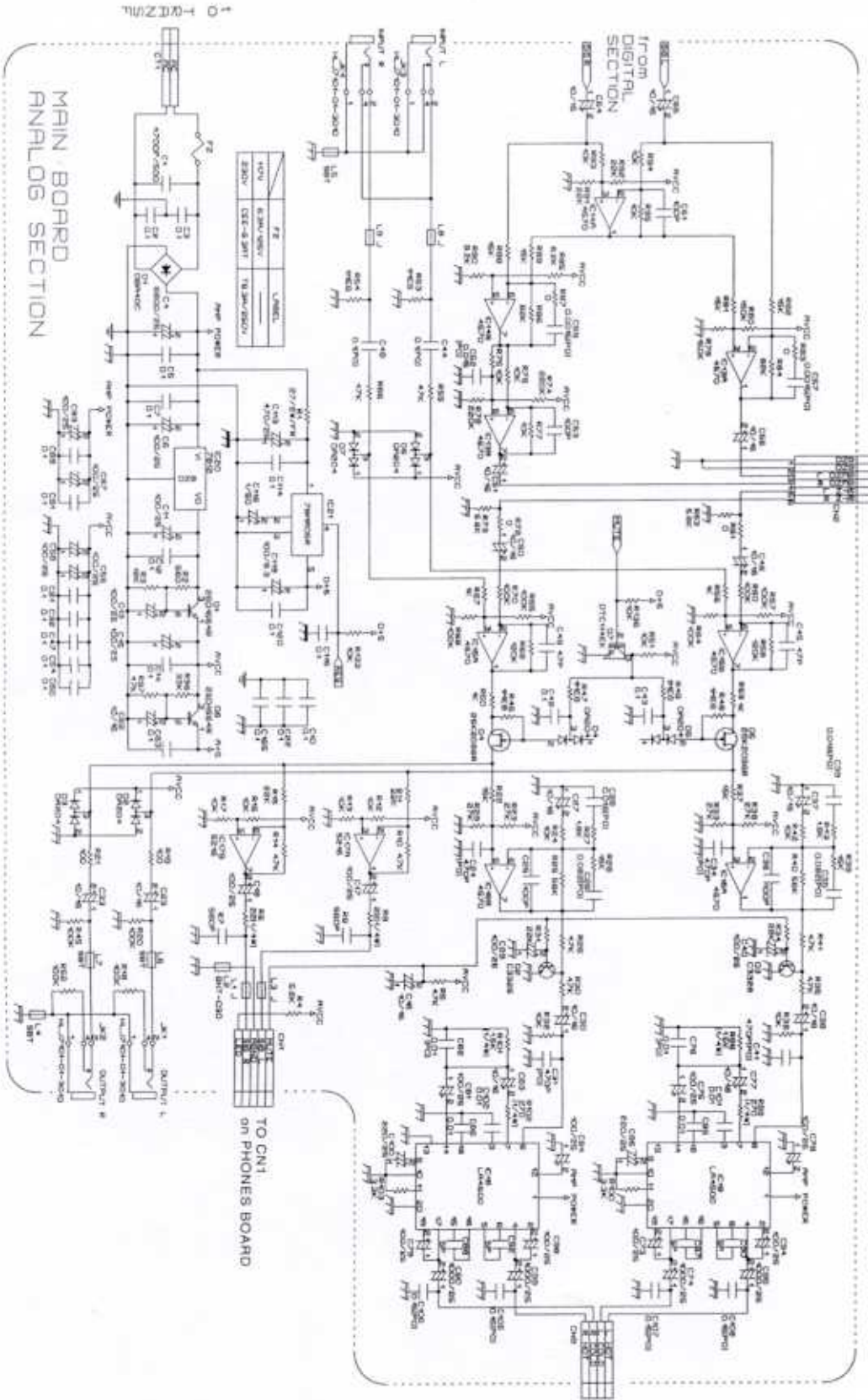
View from component side

A **E** MAIN PCB ASS'Y (or MAIN BOARD)
(DIGITAL)



A [E] MAIN PCB ASS'Y (or MAIN BOARD)
(ANALOG)

TO CN1 ON CONTROL BOARD



MAIN BOARD
ANALOG SECTION

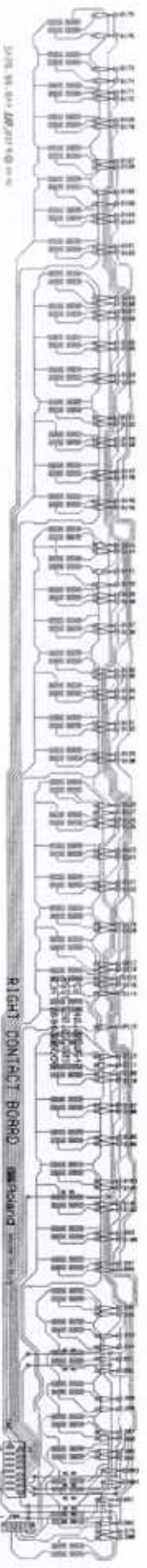
1 2 3 4 5 6 7 8 9 10 11 12 13 14 15 16 17 18 19 20 21 22 23 24 25 26 27 28 29 30

A B C D E F G H I J K L M N O P Q R S T U

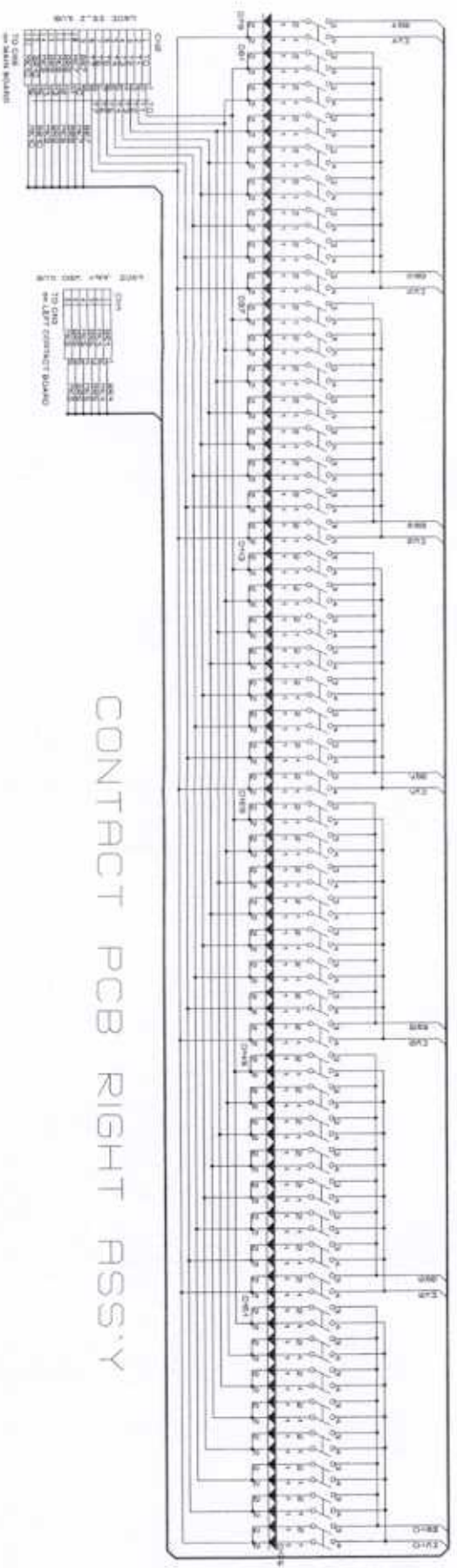
1 2 3 4 5 6 7 8 9 10 11 12 13 14 15 16 17 18 19 20 21 22 23 24 25 26 27 28 29 30

A
B
C
D
E
F
G
H
I
J
K
L
M
N
O
P
Q
R
S
T

RIGHT CONTACT PCB ASS'Y w/RUBBER CONTACT
(or RIGHT CONTACT BOARD w/RUBBER CONTACT)
 ASSY 7696306000

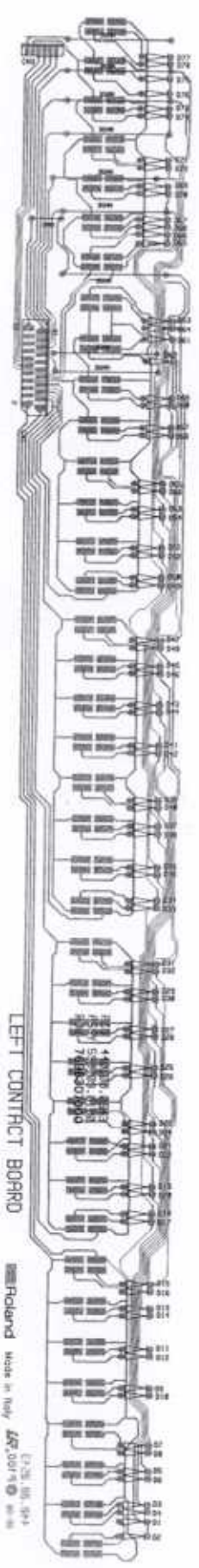


RIGHT CONTACT PCB ASS'Y w/RUBBER CONTACT
(or RIGHT CONTACT BOARD w/RUBBER CONTACT)

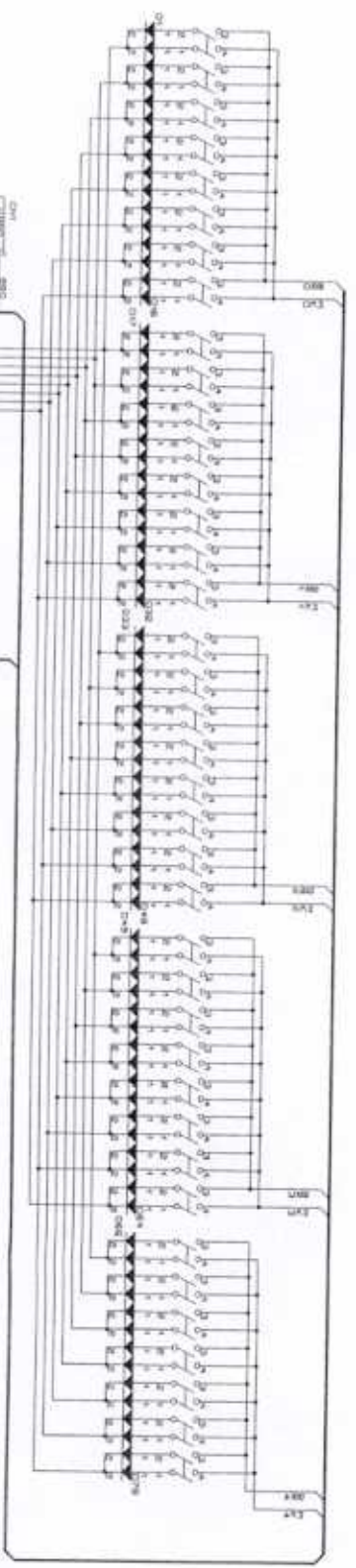


1 2 3 4 5 6 7 8 9 10 11 12 13 14 15 16 17 18 19 20 21 22 23 24 25 26 27 28 29 30

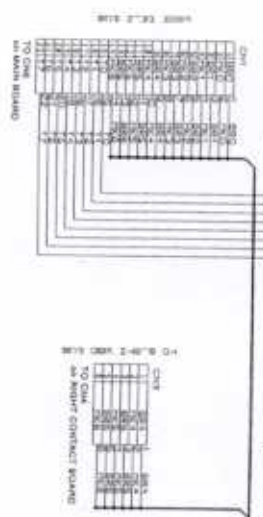
A
 B LEFT CONTACT PCB ASS'Y w/RUBBER CONTACT
 (or LEFT CONTACT BOARD w/RUBBER CONTACT)
 ASSY 7896307000



J LEFT CONTACT PCB ASS'Y w/RUBBER CONTACT
 (or LEFT CONTACT BOARD w/RUBBER CONTACT)

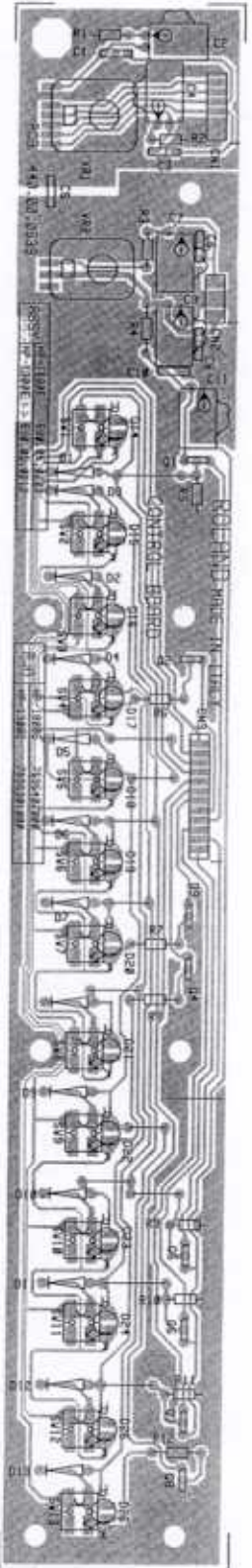


CONTACT PCB LEFT ASS'Y



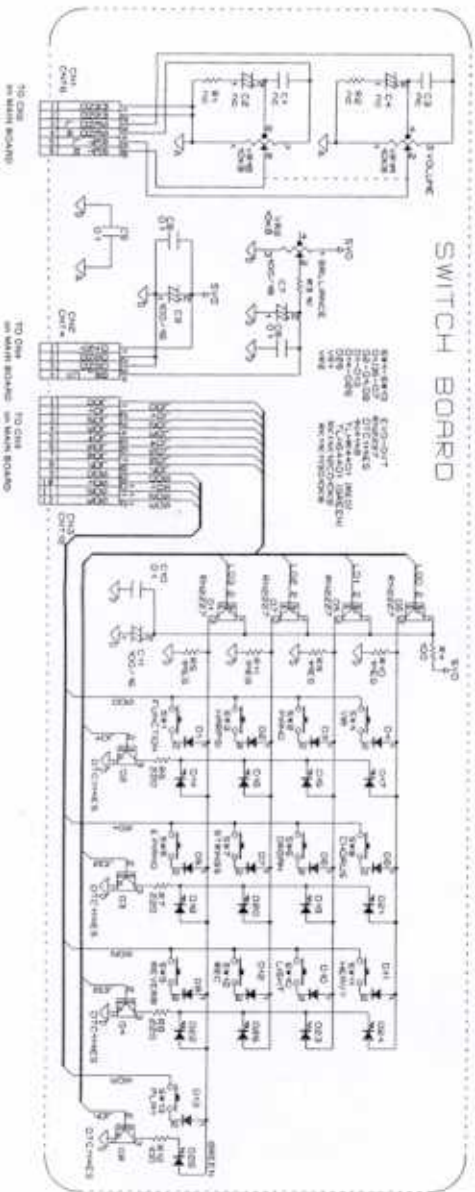
A B C D E F G H I J K L M N O P Q R S T U

CONTROLS PCB ASS'Y (or CONTROL BOARD)
 ASSY 7696301000



View from component side

CONTROLS PCB ASS'Y (or CONTROL BOARD)



A B C D E F G H I J K L M N O P Q R S T U

A B C D E F G H I J K L M N O P Q R S T

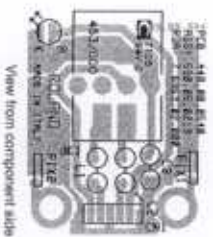
1 2 3 4 5 6 7 8 9 10 11 12 13 14 15 16 17 18 19 20 21 22 23 24 25 26 27 28 29

**MAINS PCB ASS'Y
(or INLET BOARD)**
ASSY 7696303000



View from component side

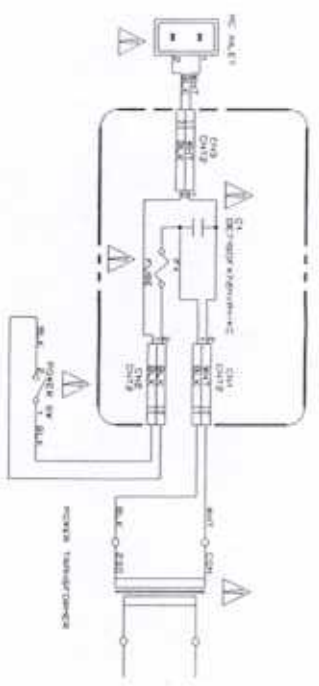
**HEADPHONES PCB ASS'Y
(or HEADPHONES BOARD)**
ASSY 7696302000



View from component side

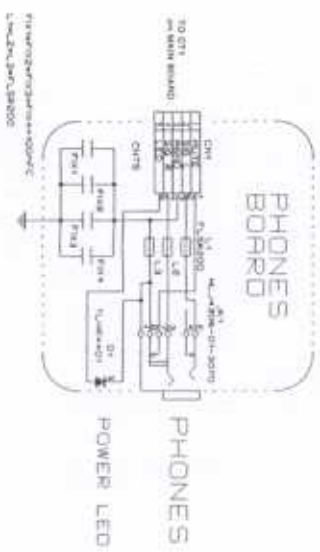
**MAINS PCB ASS'Y
(or INLET BOARD)**

| | | |
|----|---------|---------|
| Q1 | 118-111 | 118-111 |
| R1 | 118-111 | 118-111 |
| C1 | 118-111 | 118-111 |
| F1 | 118-111 | 118-111 |
| T1 | 118-111 | 118-111 |



SHIELD PRECAUTIONS
THE CRT IS SHIELDED WITH A
MESH SCREEN. THE SCREEN IS
ELECTRICALLY CONNECTED TO
GROUND.

**HEADPHONES PCB ASS'Y
(or HEADPHONES BOARD)**



SERVICE INFORMATION

| | | |
|----------|-------------------------|----------------------|
| MODEL | No. | DATE |
| HP-1300e | Service Information No. | 1995-03-01 100795 |

SUBJECT

SUPPLEMENTARY SERVICE NOTES FOR 120V VERSION

CONTENTS

[EXPLANATION]
 HP-1300e Service Notes(issued on Apr.1994/Part code:#17059743) is for 230/240V ver. only. This information is a supplement for 120V version. Please attach this information to HP-1300e Service Notes, and file it.

[PARTS LIST]...HP-1300e: SUPPLEMENT FOR 120V VERSION
 # = New Part
 (*) = for HP-1300e/1800e

PCB ASSY

E 7696305000 MAIN BOARD 230/240V for 230/240V
 (or MAIN PCB ASSY 230/240V)

NOTE: Main Board 120V is not supplied as service part because it can be used the same Main Board Assy as the 230/240V only by changing a fuse(F2 on Main Board). Please order a fuse for 120V ver. (#12559383) together with this board, if necessary.

7696303000 INLET BOARD 230/240V for 230/240V
 (or MAINS PCB ASSY 230/240V)

NOTE: Inlet Board 120V is not supplied as service part because it can be used the same Inlet Board as the 230/240V only by changing a fuse(F1 on Inlet Board). Please order a fuse for 120V ver. (#J2559114) together with this board, if necessary.

FUSE, FUSE HOLDER

| | | |
|----------|--|---------|
| J2559114 | FUSE 5X20 T1.6A125V UL CSA # (F1 on Inlet Board) | 120V |
| 12559383 | FUSE 5X20 T6.3A125V UL CSA (F2 on Main Board) | 120V |
| J2199101 | FUSE PROTECTION 5X20 # | (*)120V |

TRANSFORMER

| | | |
|----------|---------------------------------|------|
| K2458128 | POWER TRANSFORMER 117V R45-69 # | 120V |
|----------|---------------------------------|------|

AC INLET

| | | |
|----------|----------------------|---------|
| J3439127 | 2P POLARIZED PLUG II | (*)120V |
|----------|----------------------|---------|

AC CORD(detachable)

| | | |
|----------|---------------------------------|---------|
| J3439128 | MAINS CABLE ASSY UL 2X0.75+POL. | (*)120V |
|----------|---------------------------------|---------|